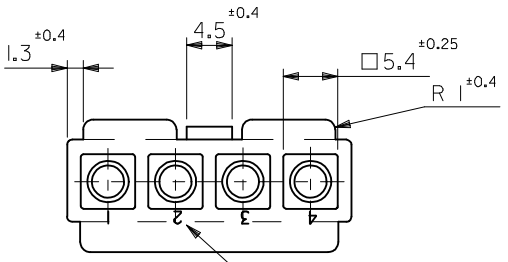
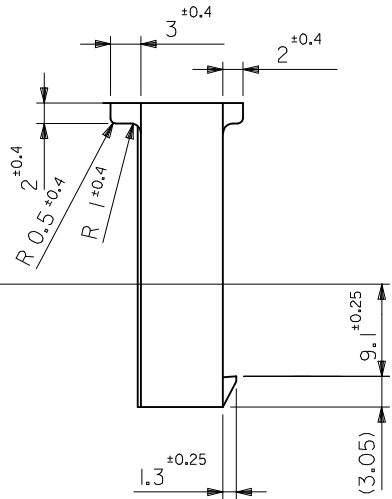
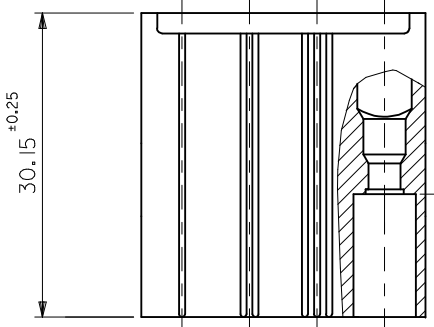


10 9 8 7 6 5 4 3 2 1

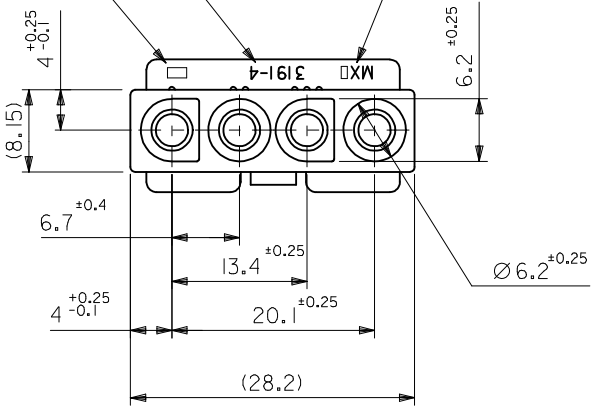


サーキット番号  
CIRCUIT NO.



注記  
NOTE  
( ) 内寸法は参考値  
DIMENSIONS IN ( ) ARE REFERENCE

キャビティー番号  
CAVITY NO.  
製品番号  
ENG. NO.  
トレードマーク  
TRADE MARK



39-03-6043	3191-04P1-201	NYLON66	94V-0
39-03-6042	3191-04P1	NYLON66	94V-2
POLYBAG PACKAGE	モデル番号 MODEL No.	材質 MATERIAL	UL
オーダー番号 ORDER NO.			

<b>REDRAWN</b> EC NO.: J2013-0829 DRWN:SSAT002 2013/01/31 CHKD:KASAKAWA 2013/01/31 APPR:YOITO 2013/04/16 REV: 0	DESCRIPTION GENERAL TOLERANCES (UNLESS SPECIFIED) 10 UNDER ± --- 10 OVER 30 UNDER ± --- 30 OVER ± --- ANGULAR ± --- ° DRAFT WHERE APPLICABLE MUST REMAIN WITHIN DIMENSIONS	DIMENSION STYLE <b>MM ONLY</b>	SCALE <b>2:1</b>	DESIGN UNITS <b>METRIC</b>	THIRD ANGLE PROJECTION	
		DRAWN BY SSAT002	DATE 2013/01/31	TITLE <b>4CKT PLUG HSG (.093 DIA TERM)</b>		
		CHECKED BY KASAKAWA	DATE 2013/01/31	MATERIAL NO. <b>SEE CHART</b>		
		APPROVED BY YOITO	DATE 2013/04/16	DOCUMENT NO. <b>SD-3191-013</b>	SHEET NO. <b>1 OF 1</b>	
		THIS DRAWING CONTAINS INFORMATION THAT IS PROPRIETARY TO MOLEX INCORPORATED AND SHOULD NOT BE USED WITHOUT WRITTEN PERMISSION				

9 8 7 6 5 4 3 2