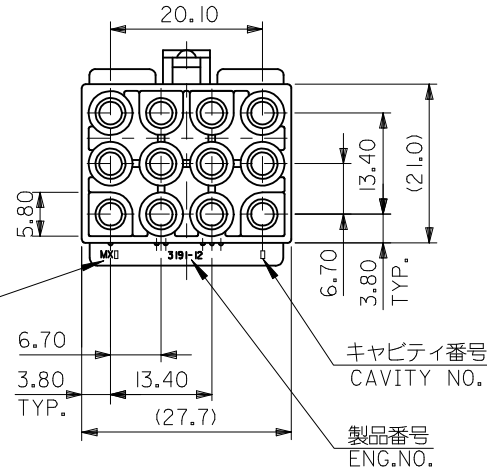


注)
NOTE.
1. () 内寸法は参考
(DIMENSIONS IN () ARE REFERENCE)



トレードマーク
TRADE MARK

39-03-6125	3191-12R1-201	NYLON66	94V-0
39-03-6124	3191-12R1	NYLON66	94V-2
POLYBAG PACKAGE	モデル番号 MODEL No.	材質 MATERIAL	UL
オーダー番号 ORDER NO.			

REDRAWN EC NO.: J2013-0829 DRWN:SSAT002 CHKD:KASAKAWA APPR:Y01TO 2013/01/28 2013/01/31 2013/04/16	GENERAL TOLERANCES (UNLESS SPECIFIED)		DIMENSION STYLE MM ONLY		SCALE ---	DESIGN UNITS METRIC	THIRD ANGLE PROJECTION
	10 UNDER	±0.25	DRAWN BY SSAT002	DATE 2013/01/28	TITLE 12 CKT.REC HSG (.93 DIA TERMINAL)		
	10 OVER 30 UNDER	±0.3	CHECKED BY KASAKAWA	DATE 2013/01/31			
	30 OVER	±0.35	APPROVED BY Y01TO	DATE 2013/04/16			
	ANGULAR ±3 °	MATERIAL NO. SEE CHART		DOCUMENT NO. SD-3191-023	SHEET NO. 1 OF 1		
	DRAFT WHERE APPLICABLE MUST REMAIN WITHIN DIMENSIONS	THIS DRAWING CONTAINS INFORMATION THAT IS PROPRIETARY TO MOLEX INCORPORATED AND SHOULD NOT BE USED WITHOUT WRITTEN PERMISSION					