

F

E

D

C

B

A

F

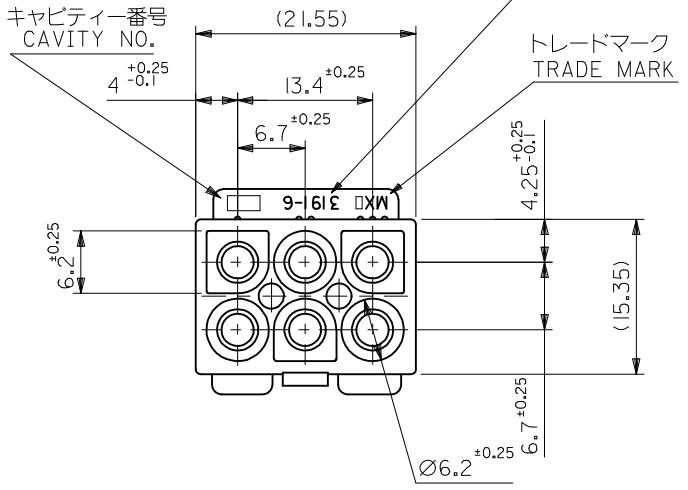
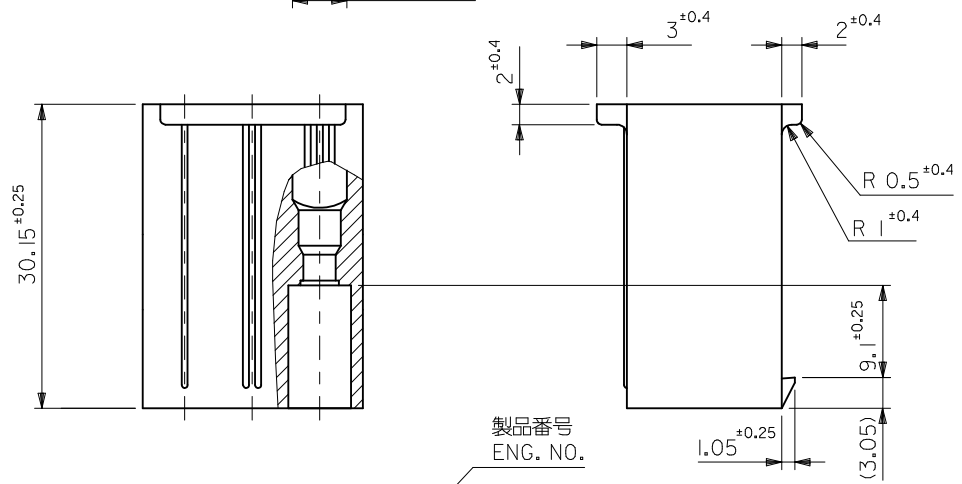
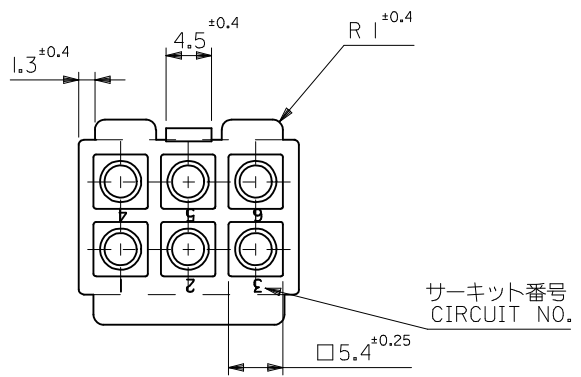
E

D

C

B

A



注記
NOTE
() 内寸法は参考値
DIMENSIONS IN () ARE REFERENCE

39-03-6063	3191-06P1-201	NYLON66	94V-0
39-03-6062	3191-06P1	NYLON66	94V-2
POLYBAG PACKAGE	モデル番号 MODEL No.	材質 MATERIAL	UL
オーダー番号 ORDER NO.			

REDRAWN EC NO: J2013-0829 DRWN:SSATO02 2013/01/31 CHKD:KASAKAWA 2013/01/31 APPR:YOITO 2013/04/16 REV: 0	DESCRIPTION GENERAL TOLERANCES (UNLESS SPECIFIED) 10 UNDER ± --- 10 OVER 30 UNDER ± --- 30 OVER ± --- ANGULAR ± --- ° DRAFT WHERE APPLICABLE MUST REMAIN WITHIN DIMENSIONS	DIMENSION STYLE MM ONLY	SCALE 2:1	DESIGN UNITS METRIC	THIRD ANGLE PROJECTION	
		DRAWN BY SSAT002	DATE 2013/01/31	TITLE 6CKT PLUG HSG (.093 DIA TERM)		
		CHECKED BY KASAKAWA	DATE 2013/01/31	MATERIAL NO. SEE CHART		
		APPROVED BY YOITO	DATE 2013/04/16	DOCUMENT NO. SD-3191-016	SHEET NO. 1 OF 1	