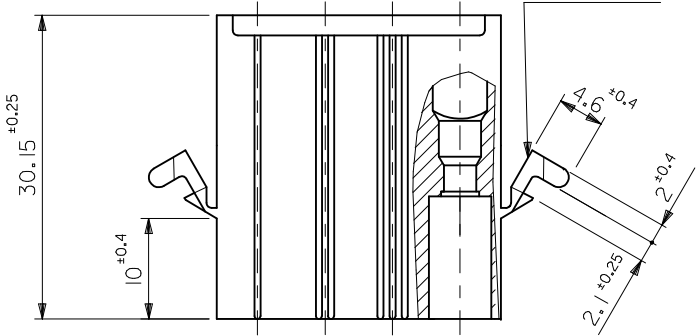


サーキット番号  
CIRCUIT NO.

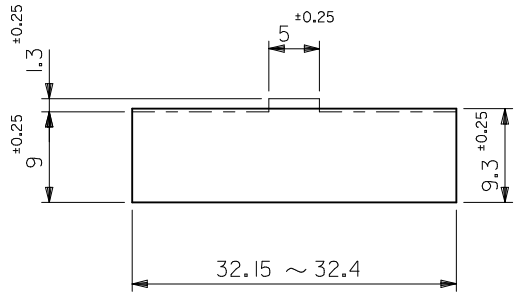
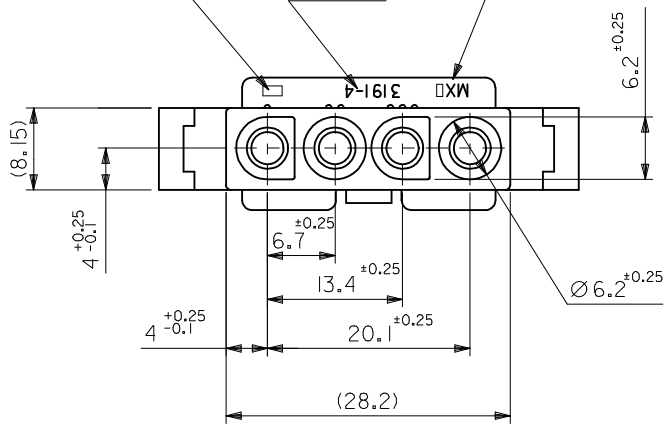
パネル取付耳  
MTG. EARS



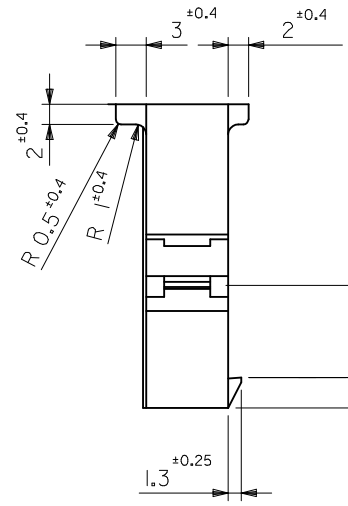
キャビティー番号  
CAVITY NO.

製品番号  
ENG. NO.

トレードマーク  
TRADE MARK



パネル取付穴推奨寸法 (厚さ2.0最大)  
ハウジングの装着はパネル穴打抜き方向より行うこと  
RECOMMENDED PANEL HOLE DIMENSION (THK. 2.0 MAX.)  
ATTACH THE HOUSING FROM THE DIRECTION OF  
PANEL HOLE PUNCHED OUT.



注記  
NOTE  
( ) 内寸法は参考値  
DIMENSIONS IN ( ) ARE REFERENCE

39-03-6041	3191-04P-201	NYLON66	94V-0
39-03-6040	3191-04P	NYLON66	94V-2
POLYBAG PACKAGE	モデル番号 MODEL No.	材質 MATERIAL	UL
オーダー番号 ORDER NO.			

REVISED EC NO.: J2013-0829 DRW:SSATO02 2013/01/31 CHKD:KASAKAWA 2013/01/31 APPR:Y0110 2013/04/16	DESCRIPTION	GENERAL TOLERANCES (UNLESS SPECIFIED)		DIMENSION STYLE	SCALE	DESIGN UNITS	THIRD ANGLE PROJECTION	
		10 UNDER	±---	MM ONLY	2:1	METRIC	◎	
		10 OVER 30 UNDER	±---					
		30 OVER	±---					
		ANGULAR	±---°					
		DRAFT WHERE APPLICABLE MUST REMAIN WITHIN DIMENSIONS		SEE CHART				
				DRAWN BY H. IJIMA	DATE '96/06/24	TITLE 4 CKT. PLUG HS'G. (.093 DIA. TERMINAL)		
				CHECKED BY M. FUKUSHIMA	DATE '96/06/24			
				APPROVED BY M. ENOMOTO	DATE '96/06/24			
				MATERIAL NO.	DOCUMENT NO.	SHEET NO.		
				SIZE A3	THIS DRAWING CONTAINS INFORMATION THAT IS PROPRIETARY TO MOLEX INCORPORATED AND SHOULD NOT BE USED WITHOUT WRITTEN PERMISSION			