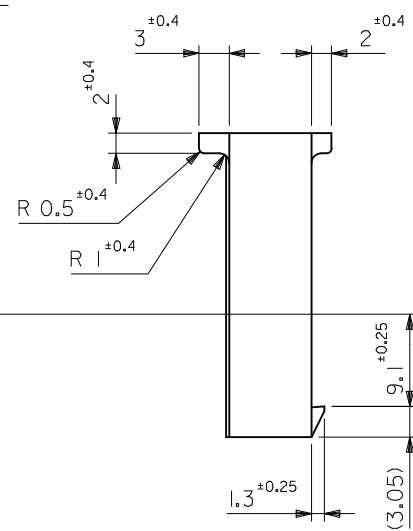
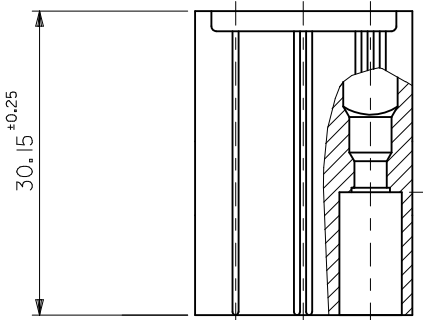
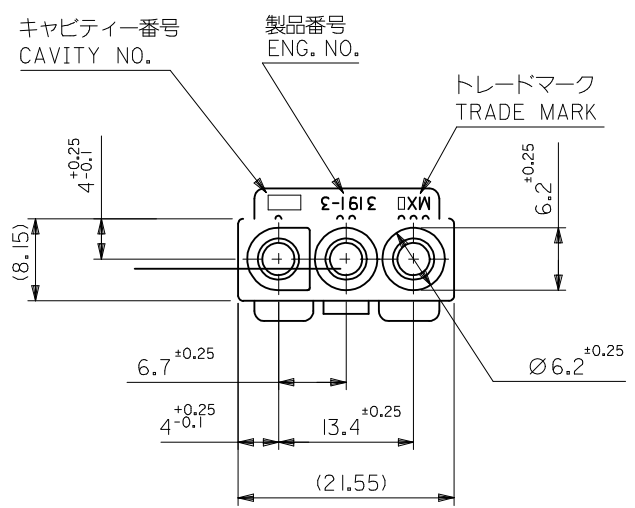


サーキット番号  
CIRCUIT NO.



注記  
NOTE  
( ) 内寸法は参考値  
DIMENSIONS IN ( ) ARE REFERENCE



39-03-6033	3191-03P1-201	NYLON66	94V-0
39-03-6032	3191-03P1	NYLON66	94V-2
POLYBAG PACKAGE	モデル番号 MODEL No.	材質 MATERIAL	UL
オーダー番号 ORDER NO.			

REDRAWN EC NO: J2013-0829 DRWN:SSAT002 CHKD:KASAKAWA APPR:YOITO	DESCRIPTION 2013/01/31 2013/01/31 2013/04/16	GENERAL TOLERANCES (UNLESS SPECIFIED)		DIMENSION STYLE	SCALE	DESIGN UNITS	THIRD ANGLE PROJECTION	
				MM ONLY	2:1	METRIC		
		10 UNDER	±---	DRAWN BY	DATE	TITLE		
		10 OVER 30 UNDER	±---	SSAT002	2013/01/31	3 CKT PLUG HSG (.093 DIA. TERM)		
30 OVER	±---	CHECKED BY	DATE	3				
		KASAKAWA	2013/01/31	APPROVED BY				
		YOITO	2013/04/16	DATE				
		ANGULAR ±--- °		MATERIAL NO.	DOCUMENT NO.	SHEET NO.		
		DRAFT WHERE APPLICABLE MUST REMAIN WITHIN DIMENSIONS		SEE CHART		1 OF 1		
		SIZE	THIS DRAWING CONTAINS INFORMATION THAT IS PROPRIETARY TO MOLEX INCORPORATED AND SHOULD NOT BE USED WITHOUT WRITTEN PERMISSION					
		A3						