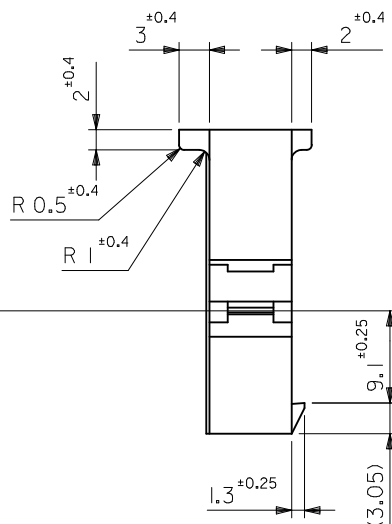
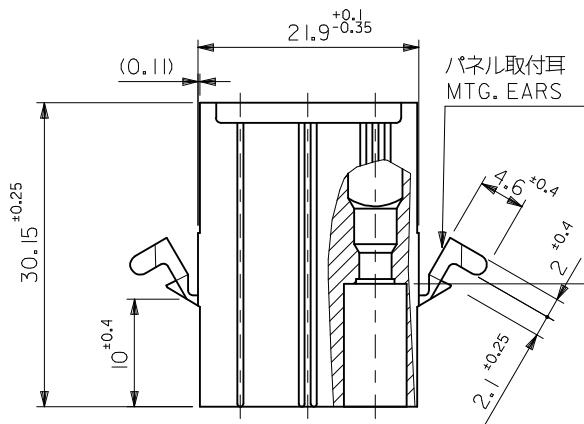
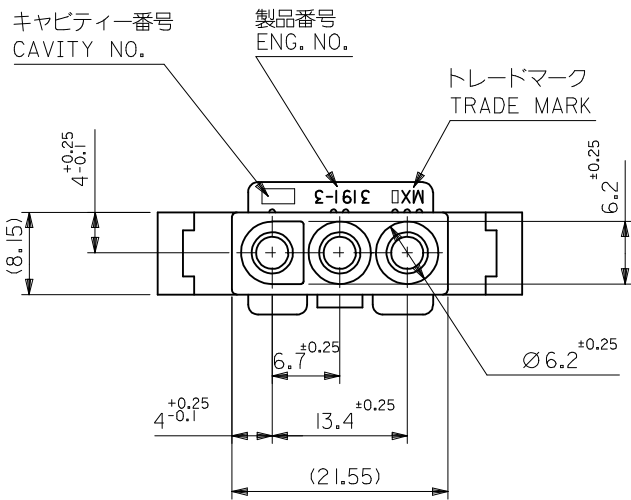


パネル取付穴推奨寸法 (厚さ2.0最大)
 ハウジングの装着はパネル穴打抜き方向より行うこと
 RECOMMENDED PANEL HOLE DIMENSION (THK. 2.0 MAX.)
 ATTACH THE HOUSING FROM THE DIRECTION OF
 PANEL HOLE PUNCHED OUT.



注記
 NOTE
 () 内寸法は参考値
 DIMENSIONS IN () ARE REFERENCE



39-03-6031	3191-03P-201	NYLON66	94V-0
39-03-6030	3191-03P	NYLON66	94V-2
POLYBAG PACKAGE	モデル番号 MODEL No.	材質 MATERIAL	UL
オーダー番号 ORDER NO.			

REDRAWN EC NO.: J2013-0829 DRWN:SSAT002 2013/01/31 CHKD:KASAKAWA 2013/01/31 APPR:YOITO 2013/04/16 REV: 0	DESCRIPTION GENERAL TOLERANCES (UNLESS SPECIFIED) 10 UNDER ± --- 10 OVER 30 UNDER ± --- 30 OVER ± --- ANGULAR ± --- ° DRAFT WHERE APPLICABLE MUST REMAIN WITHIN DIMENSIONS	DIMENSION STYLE MM ONLY	SCALE 2:1	DESIGN UNITS METRIC	THIRD ANGLE PROJECTION	
		DRAWN BY SSAT002	DATE 2013/01/31	TITLE 3 CKT. PLUG HS (.093 DIA. TERMINAL)		
		CHECKED BY KASAKAWA	DATE 2013/01/31	molex SD-3191-010		
		APPROVED BY YOITO	DATE 2013/04/16			
MATERIAL NO. SEE CHART		DOCUMENT NO.	SHEET NO. 1 OF 1			
SIZE A3 THIS DRAWING CONTAINS INFORMATION THAT IS PROPRIETARY TO MOLEX INCORPORATED AND SHOULD NOT BE USED WITHOUT WRITTEN PERMISSION						