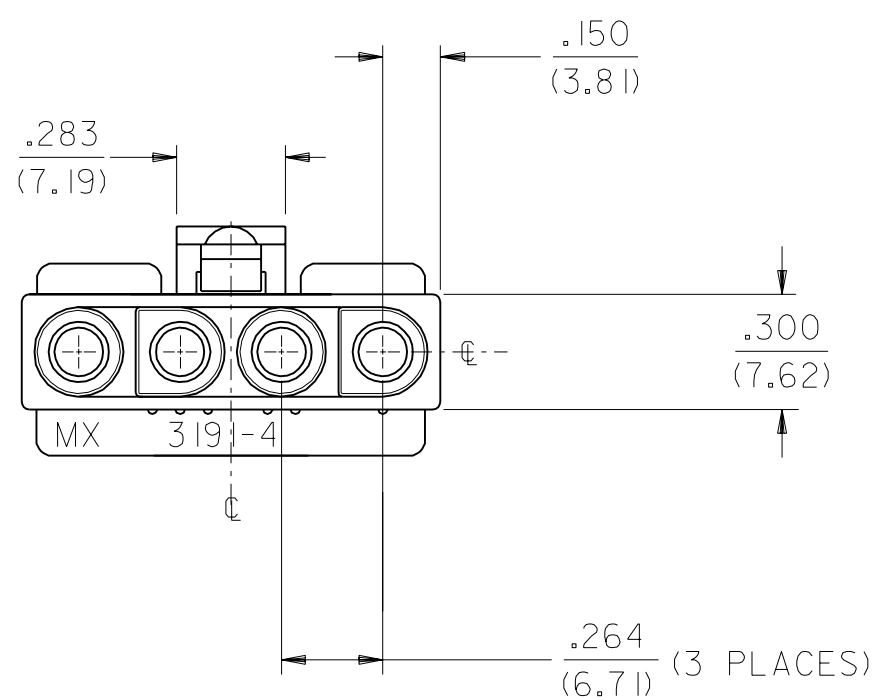


RECEPTACLE



EC NO. UCR1998-0254 DRWN: J.WANG 00/06/07 CHK: B.WIRKUS 00/06/07 APPR: R. EDGLE 00/06/07	QUALITY SYMBOLS MAJOR $\nabla=0$ CRITICAL $\nabla_c=0$	GENERAL TOLERANCES: (UNLESS SPECIFIED)	SCALE 2 : 1 DESIGN UNITS <input type="checkbox"/> mm <input checked="" type="checkbox"/> INCH	DIMENSIONS: <input type="checkbox"/> mm <input checked="" type="checkbox"/> INCH <input type="checkbox"/> mm ONLY	SHT REV	
	DESCRIPTION REV	4 PLACES $\pm 0.---$ $\pm .---$ 3 PLACES $\pm 0.---$ ± 0.10 2 PLACES ± 0.25 ± 0.15 1 PLACE ± 0.38 $\pm .---$	DRAWN BY & DATE J.WANG 98/08/24	THIRD ANGLE PROJECTION <input checked="" type="checkbox"/>	TITLE: .093/(2.36) HOUSINGS PLUG AND RECEPTACLE 4 CKT., .264/(6.70) CTRS	
	J3	ANGULAR: $\pm 1^\circ$	CHECKED BY & DATE B.WIRKUS 98/08/24	MOLEX INCORPORATED		
	DRAFT WHERE APPLICABLE MUST REMAIN WITHIN DIMENSIONS	CAD FILENAME S3191402.DGN	APPROVED BY & DATE R.EDGLE 98/08/24	MATERIAL NO. SEE SHT.3	DRAWING NO. SD -3191 -4*	SHEET NO. 2

PLUG	
PART NO.	ENG. NO.
19-09-2048	3191-4P
19-09-2049	3191-4P1
19-09-2047	3191-4P-A
19-09-2046	3191-4P1-A

RECEPTACLE	
PART NO.	ENG. NO.
19-09-1049	3191-4R1
19-09-1046	3191-4R1-A

LEGEND

3191-4***-*

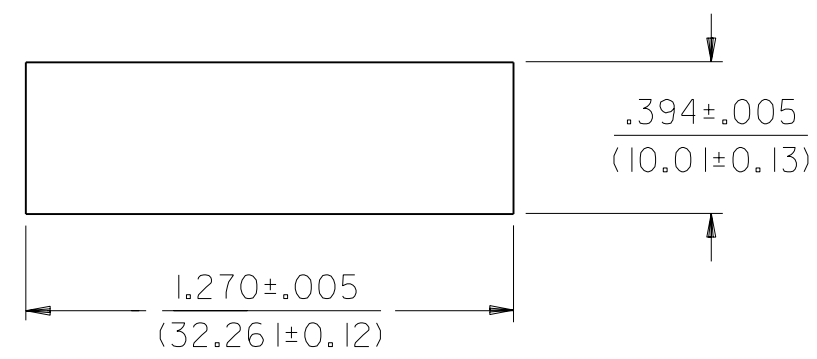
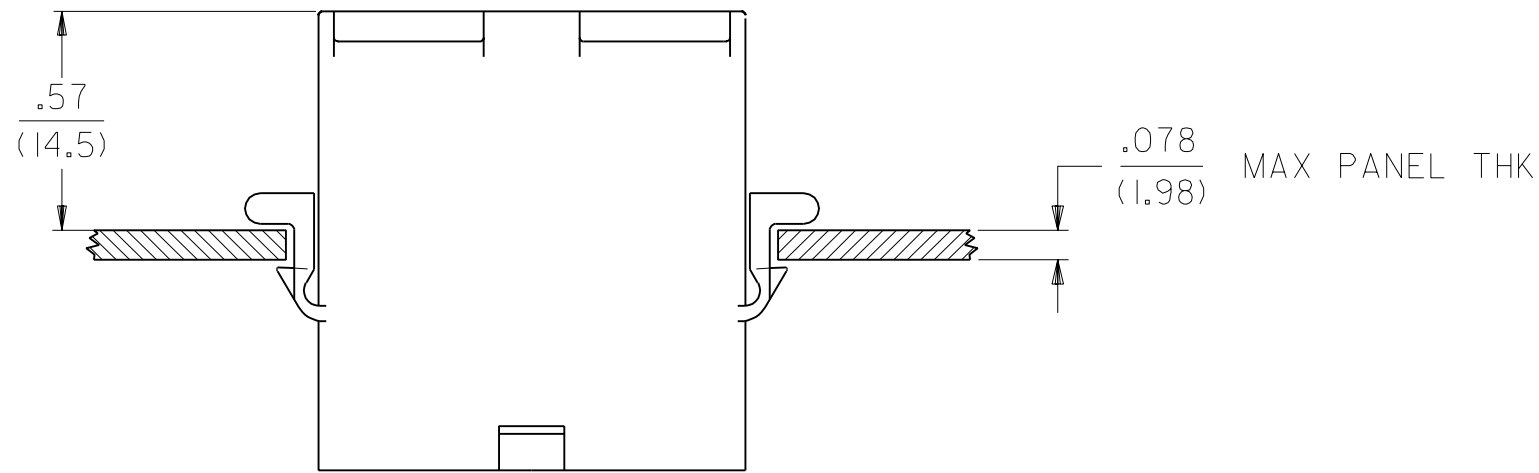
CIRCUIT SIZE

P = PLUG
R = RECEPTACLE

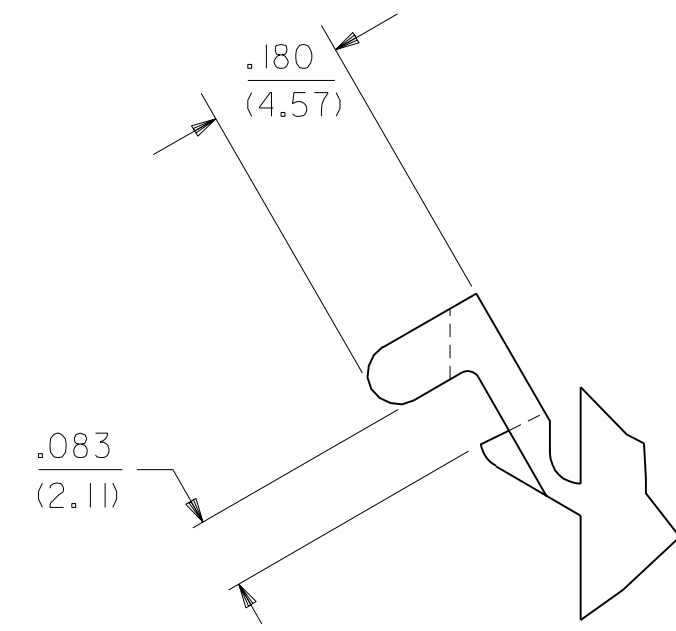
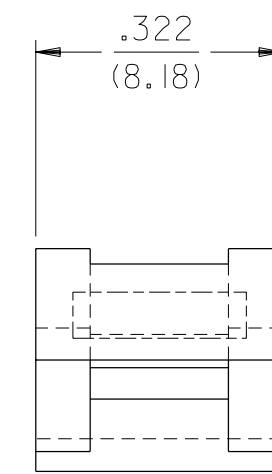
EARS: BLANK = WITH PREBENT EARS (PLUG ONLY)
I = WITHOUT EARS

COLOR: BLANK = NATURAL COLOR
AM=AMBER BK=BLACK BU=BLUE
BN=BROWN GY=GRAY GN=GREEN
OR=ORANGE RD=RED YW=YELLOW
COLORS AVAILABLE ONLY IN 94V-2 MATERIAL

MATERIAL: BLANK=NYLON TYPE 6/6, 94V-2 COLOR:NATURAL
A=NYLON TYPE 6/6, 94V-0 COLOR:WHITE



RECOMMENDED HOLE CUTOUT



DETAIL "A"
.093/(2.36) PREBENT MOUNTING EAR
(SCALE 4:1)

EC NO. UCR1998-0254 DRWN: J.WANG 00/06/07 CHK: B.WIRKUS 00/06/07 APPR: R.EDGLEY 00/06/07	QUALITY SYMBOLS MAJOR $\nabla=0$ CRITICAL $\nabla C=0$	GENERAL TOLERANCES: (UNLESS SPECIFIED)	SCALE 2 : 1 DESIGN UNITS <input type="checkbox"/> mm <input checked="" type="checkbox"/> INCH	THIRD ANGLE PROJECTION <input checked="" type="checkbox"/>	DIMENSIONS: <input type="checkbox"/> mm <input checked="" type="checkbox"/> INCH <input type="checkbox"/> mm ONLY	SHT REV
	DESCRIPTION J3	4 PLACES $\pm 0.---$ $\pm .---$ 3 PLACES $\pm 0.---$ $\pm .010$ 2 PLACES ± 0.25 $\pm .015$ 1 PLACE ± 0.38 $\pm .---$	DRAWN BY & DATE J.WANG 98/08/18	TITLE: .093/(2.36) HOUSINGS PLUG AND RECEPTACLE 4-CKTS, .264/(6.70) CTRS		
	REV	ANGULAR: $\pm 1^\circ$	CHECKED BY & DATE B.WIRKUS 98/08/18	MOLEX INCORPORATED		
	DRAFT WHERE APPLICABLE MUST REMAIN WITHIN DIMENSIONS	CAD FILENAME S3191403.DGN	APPROVED BY & DATE R.EDGLEY 98/08/18	MATERIAL NO. SEE SHT.3	DRAWING NO. SD -3191 -4*	SHEET NO. 3
THIS DRAWING CONTAINS INFORMATION THAT IS PROPRIETARY TO MOLEX INCORPORATED AND SHOULD NOT BE USED WITHOUT WRITTEN PERMISSION.						SIZE C