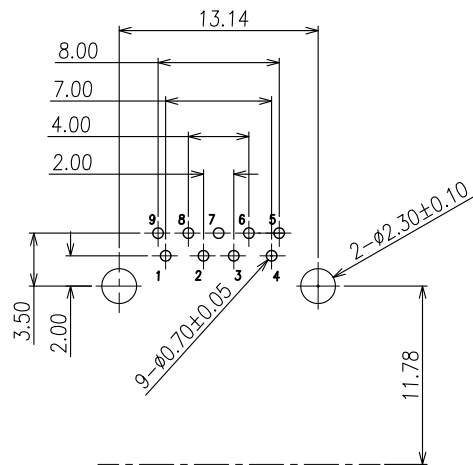
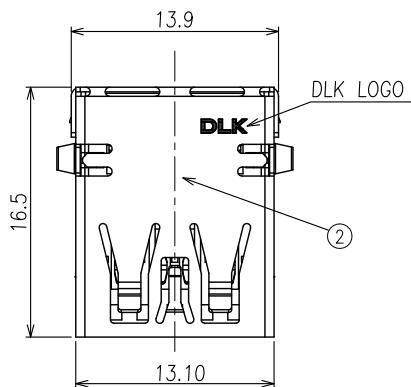


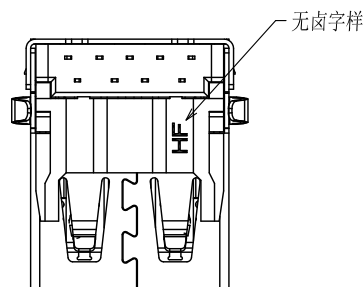
符合"DLK环境管理物质技术标准"

符合USB3.0协会规范标准"

工程变更通知单 ECN(DCN) NO.	版本 REV	日期 DATE	说明 DESCRIPTION	变更 CHANGE	核准 APPRO.
KSECN17043	A	20170725	NEW RELEASE	—	—



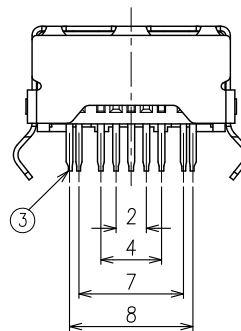
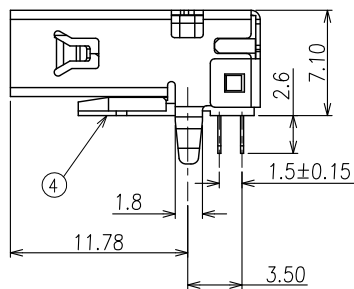
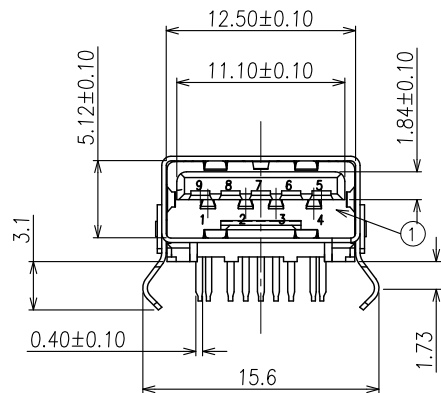
PCB LAYOUT(T=1.6)TOP VIEW



U3A20 D-09 * ** Y N2 E HF

① ② ③ ④ ⑤ ⑥ ⑦

- ① PRODUCTION CODE (产品编码):
U3A20: USB 3.0 A/F R/A 7.1H STD.
- ② CHARACTER (特征):
D:DIP TYPE
- ③ POSITION (位数):
09: 9PIN
- ④ COLOR OF HOUSING(本体颜色):
L:BLUE (300C)
→ B:BLACK
- ⑤ PLATING OF CONTACT(端子电镀):
M1 : Au 1U" AND MATTE TIN 100U" PLATED
→ M4 : Au 15U" AND MATTE TIN 100U" PLATED
M5 : Au 30U" AND MATTE TIN 100U" PLATED
- ⑥ PACKAGE(包装):
Y :TRAY PACKAGE
- ⑦ PLATING OF SHELL(铁壳电镀):
N2 :Ni plated



产品净重: 2.09g

GENERAL TOLERANCE
UNLESS OTHERWISE NOTED

Angle	±2°
X.	±0.38
.X	±0.30
.XX	±0.25
.XXX	±0.15



德力康电子科技有限公司

DLK DELIKANG ELECTRONICS TECHNOLOGY CO.,LTD

4	COVER	1	LCP	UL94V-0
3	CONTACT	9	C2680	Au PLATED
2	SHELL	1	SUS430	Ni PLATED
1	HOUSING	1	LCP	UL94V-0
NO.	ITEM	Q'TY	DESCRIPTION	FINISH

C	名称 TITLE:	USB 3.0 A/F R/A 7.1H STD.			
	档案名称 FILE NAME:	C-U3A20-00-0E	料号 PART NO.:	U3A20D-09***YN2EHF	
DRAWING	王永辉	CHECKED	—	APPROVED	严成旺
	UNIT:	mm	SCALE	1:1	SHEET: 1 of 1