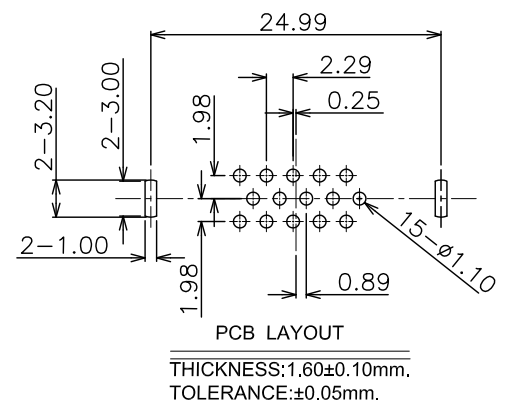
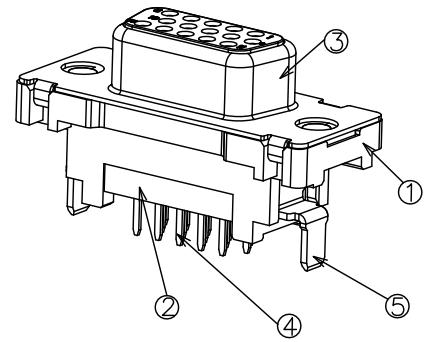
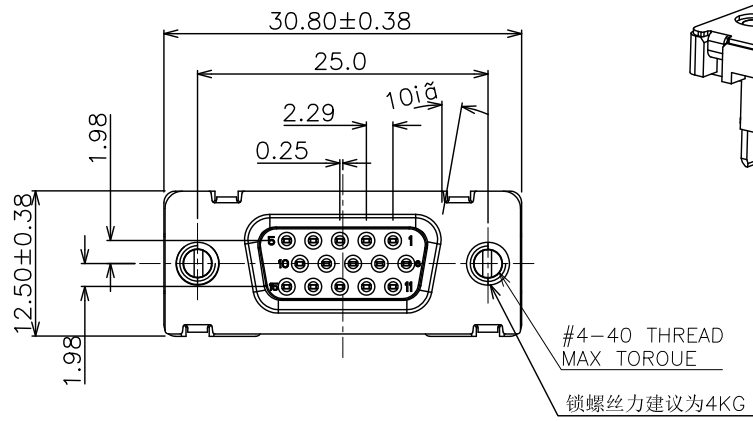


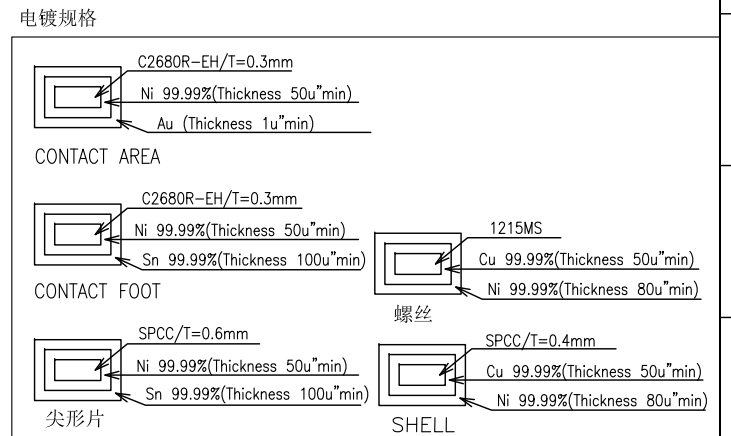
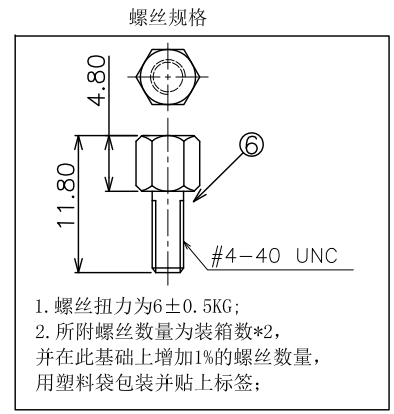
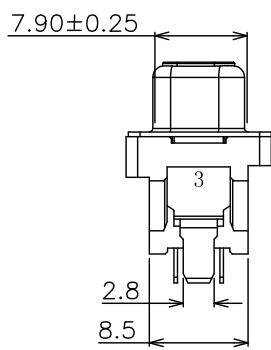
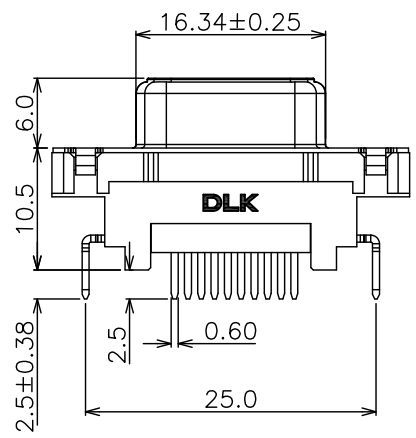
符合"DLK环境管理物质技术标准"

符合"IEC协会标准"

工程变更通知单 ECN(DCN) NO.	版本 REV	日期 DATE	说明 DESCRIPTION	改变 CHANGE	承认 APPRO.
KSECN16047	A	20160913	NEW RELEASE	—	—



- DSB6A C-15 * M1 Y N3 *
- ① ② ③ ④ ⑤ ⑥ ⑦ ⑧
- ① PRODUCTION CODE (产品编码): DSB6A: D-SUB-15PIN(180°&10H)
 - ② CHARACTER (特征): C:DIP TYPE(180iα)
 - ③ POSITION (位数): 15:15PIN
 - ④ COLOR OF HOUSING(本体颜色): L:BLUE B:BLACK
 - ⑤ PLATING OF CONTACT(端子电镀): M1 :Au AND TIN PLATED
 - ⑥ PACKAGE(包装): Y :TRAY PACKAGE
 - ⑦ PLATING OF SHELL(铁壳电镀): N3:NI PLATED
 - ⑧ TYPE:
0: 无螺丝
1: 锁螺丝
2: 附螺丝



产品净重: 5.33g(不含螺丝)

6	SCREW	2	FERROALLOY	Ni PLATED
5	BOARD LOCK	2	FERROALLOY	Tin PLATED
4	CONTACT	15	COPPER ALLOY	Au AND Tin PLATED
3	SHELL	1	FERROALLOY	Ni PLATED
2	COVER	1	PBT	UL94V-0 BLUE
1	HOUSING	1	PBT	UL94V-0 BLUE
NO.	ITEM	Q'TY	DESCRIPTION	FINISH

GENERAL TOLERANCE UNLESS OTHERWISE NOTED

Angle ±3°

X. ±0.30

.X ±0.25

.XX ±0.20

.XXX ±0.10

A4

DLK 德力康电子科技有限公司
DELIKANG ELECTRONICS TECHNOLOGY CO.,LTD

名称: D-SUB 立式 10.5H 直角叉片
档案名称: C-DSB6A-00-02
料号: DSB6AC-15*M1Y N3*
PART NO.:
DRAWING: 万小龙
CHECKED: 王永辉
APPROVED: 严成旺

UNIT: mm SCALE: 1:1 SHEET: 1 of 1