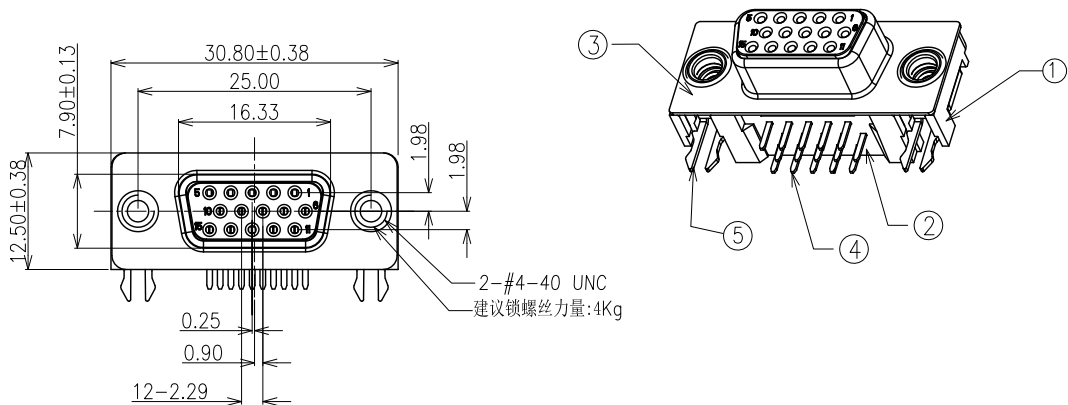


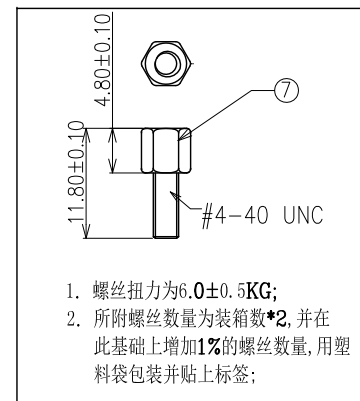
符合"DLK环境管理物质技术标准"

符合"IEC协会标准"

工程变更通知单 ECN(DCN) NO.	版本 REV	日期 DATE	说明 DESCRIPTION	变更 CHANGE	核准 APPRO.
KSECN15007	A	20150312	NEW	—	—
KSECN16067	B	20160927	后盖增加逃料 \triangle *1	万小龙	王永辉
KSECN18038	C	20190402	增加锁螺丝和附螺丝料号 \triangle *1	王永辉	严成旺



螺丝规格

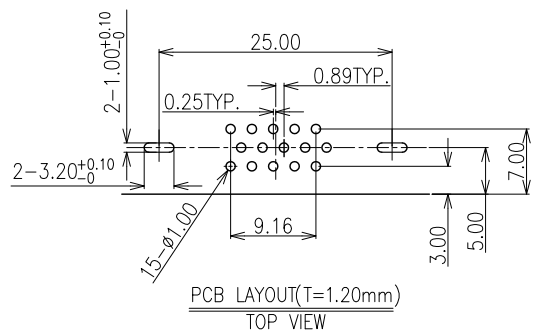
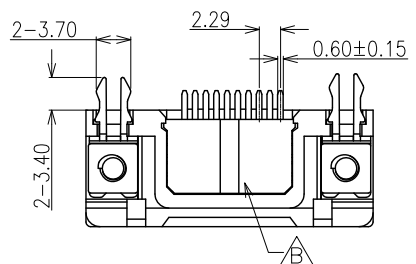
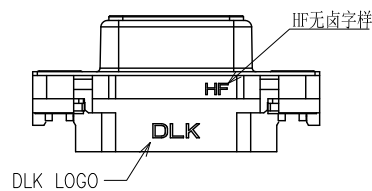
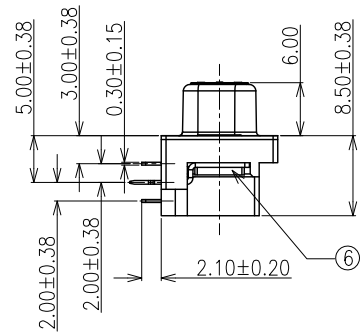


- 螺丝扭力为 6.0 ± 0.5 KG;
- 所附螺丝数量为装箱数*2,并在此基础上增加1%的螺丝数量,用塑料袋包装并贴上标签;

DSB4W D-15 L M1 Y N3 * HF

① ② ③ ④ ⑤ ⑥ ⑦ ⑧ ⑨

- PRODUCTION CODE (产品编码):
DSB4W: D-SUB-15PIN(3.0) CONN
- CHARACTER (特征):
D: DIP TYPE
- POSITION (位数):
15: 15PIN
- COLOR OF HOUSING(本体颜色):
L: BLUE COLOR
- PLATING OF CONTACT(端子电镀):
M1 :GOLD FLASH AND TIN PLATED (镀锡)
- PACKAGE(包装):
Y :TRAY PACKAGE
- PLATING OF SHELL(铁壳电镀):
N3:NI PLATD
- TYPE:
P: 无螺丝(后盖全封)
0: 锁螺丝(后盖全封)
4: 附螺丝(后盖全封)
- 特殊码:
HF: 无卤规格



NO.	ITEM	Q'TY	DESCRIPTION	FINISH
7	Screw	2	FERROALLOY	Nickel plated
6	RIVET	2	COPPER ALLOY	Ni PLATED
5	BOARD LUCK	2	FERROALLOY	Tin PLATED
4	Contact	15	COPPER ALLOY	Au AND Tin PLATED
3	Shell	1	FERROALLOY	Ni PLATED
2	Cover	1	PBT+GF30 无卤	UL94V-0,Black
1	Housing	1	PBT+GF30 无卤	UL94V-0,BLUE

GENERAL TOLERANCE UNLESS OTHERWISE NOTED		德力康电子科技有限公司 DELIKANG ELECTRONICS TECHNOLOGY CO.,LTD			
Angle	±5'				
X.	±0.50	C 名称 TITLE:	D-SUB R/A 12.5H CONN		
.X	±0.35	档案名称 FILE NAME.	C-DSB4W-00-HF	料号 PART NO:	DSB4WD-15LM1YN3*HF
.XX	±0.25	DRAWING	王永辉	CHECKED	—
.XXX	±0.15			APPROVED	严成旺
A4		UNIT:	mm	SCALE	1:1
			SHEET:	1 of 1	