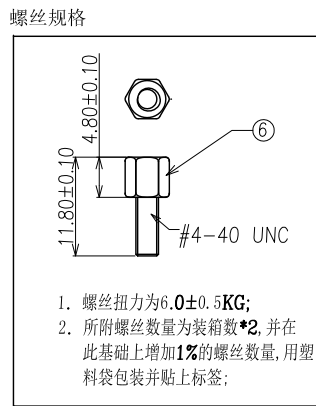
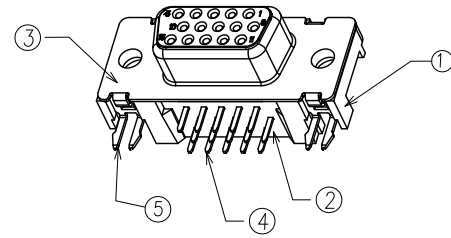
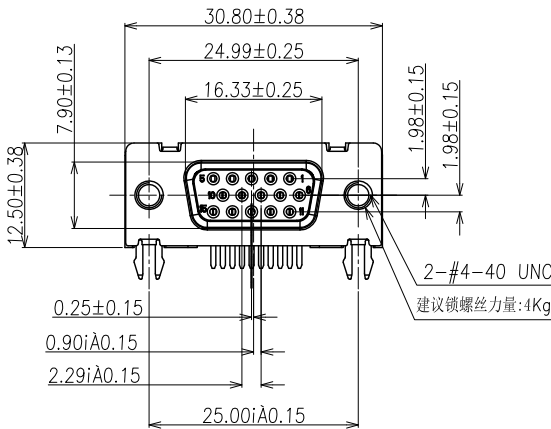


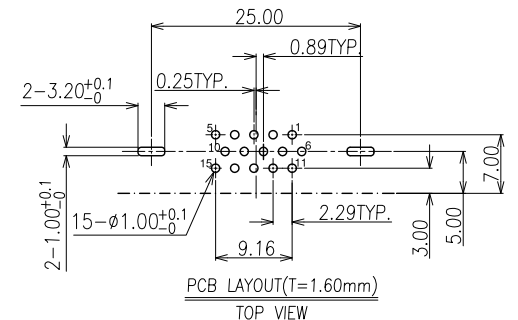
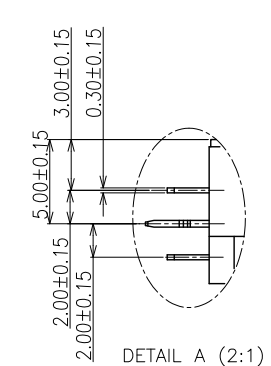
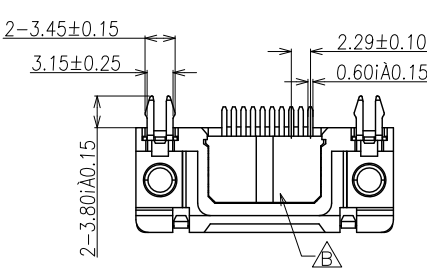
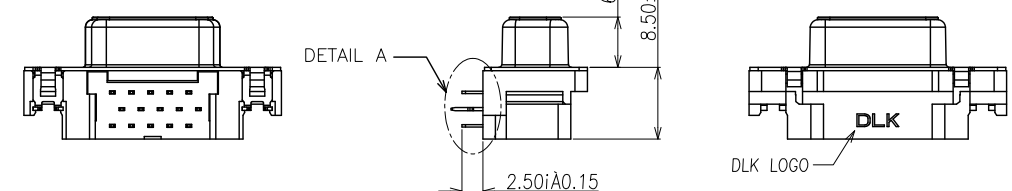
符合"DLK环境管理物质技术标准"

符合"IEC协会标准"

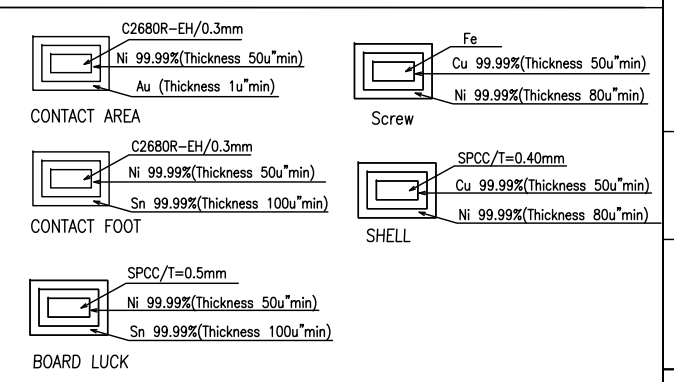
工程变更通知单 ECN(DCN) NO.	版本 REV	日期 DATE	说明 DESCRIPTION	改变 CHANGE	承认 APPRO.
	A	20140918	NEW		
KSECN16067	B	20160927	后盖增加逃料 Δ *1	万小龙	王永辉



- DSB4N D-15 L S1 Y N3 *
- ① ② ③ ④ ⑤ ⑥ ⑦ ⑧
- ① PRODUCTION CODE (产品编码):
DSB4N: D-SUB-15PIN(3.0) CONN
 - ② CHARACTER (特征):
D: DIP TYPE
 - ③ POSITION (位数):
15: 15PIN
 - ④ COLOR OF HOUSING(本体颜色):
L: BLUE COLOR
 - ⑤ PLATING OF CONTACT(端子电镀):
S1 :GOLD FLASH AND TIN PLATED (镀雾锡)
 - ⑥ PACKAGE(包装):
Y :TRAY PACKAGE
 - ⑦ PLATING OF SHELL(铁壳电镀):
N3:NI PLATD
 - ⑧ TYPE:
→ 0: 无螺丝
1: 锁螺丝
4: 附螺丝



电镀规格:



NO.	ITEM	Q'TY	DESCRIPTION	FINISH
6	Screw	2	FERROALLOY	Nickel plated
5	BOARD LUCK	2	FERROALLOY	Tin PLATED
4	Contact	15	COPPER ALLOY	Au And Tin plated
3	Shell	1	FERROALLOY	Ni PLATED
2	Cover	1	PBT	UL94V-0,BLUE
1	Housing	1	PBT	UL94V-0,BLUE

GENERAL TOLERANCE UNLESS OTHERWISE NOTED		德力康电子科技有限公司 DLK DELIKANG ELECTRONICS TECHNOLOGY CO.,LTD			
Angle	±5'				
X.	±0.50	C 名称	D-SUB R/A 12.5H CONN		
.X	±0.38	FILE NAME.	C-DSB4N-00-00	料号	DSB4ND-15LS1YN3*
.XX	±0.25	DRAWING	王永辉	CHECKED	APPROVED 王成旺
.XXX	±0.10	UNIT:	mm	SCALE	1:1
A4		UNIT:	mm	SCALE	1:1