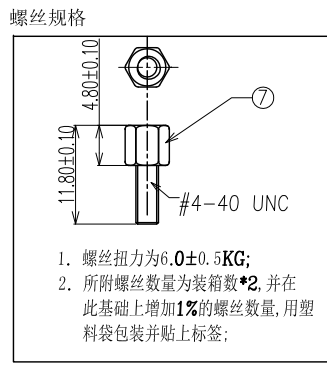
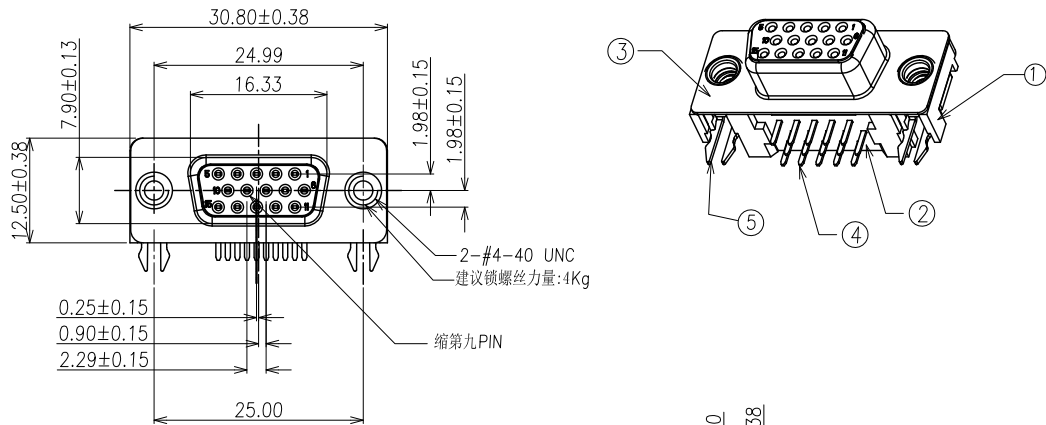


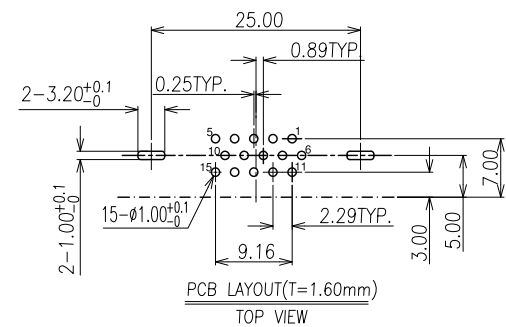
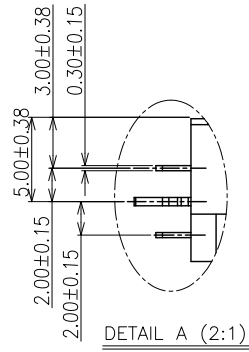
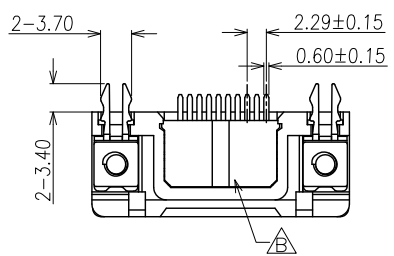
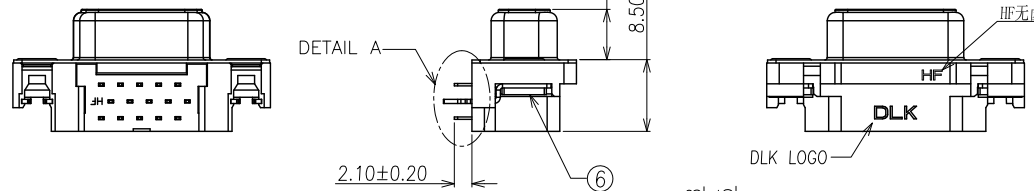
符合"DLK环境管理物质技术标准"

符合"IEC协会标准"

工程变更通知单 ECN(DCN) NO.	版本 REV	日期 DATE	说明 DESCRIPTION	改变 CHANGE	承认 APPRO.
KSECN15011	A	20150423	NEW	—	—
KSECN16067	B	20160927	后盖增加逃料 $\Delta$ *1	万小龙	王永辉



- DSB4M D-15 B M1 Y N3 \* HF
- ① ② ③ ④ ⑤ ⑥ ⑦ ⑧ ⑨
- ① PRODUCTION CODE (产品编码):  
DSB4M: D-SUB-15PIN(3.0) CONN
  - ② CHARACTER (特征):  
D: DIP TYPE
  - ③ POSITION (位数):  
15: 15PIN
  - ④ COLOR OF HOUSING(本体颜色):  
B: Black
  - ⑤ PLATING OF CONTACT(端子电镀):  
M1 :GOLD FLASH AND TIN PLATED (镀雾锡)
  - ⑥ PACKAGE (包装):  
Y :TRAY PACKAGE
  - ⑦ PLATING OF SHELL(铁壳电镀):  
N3:NI PLATD
  - ⑧ TYPE:  
0: 无螺丝  
1: 锁螺丝  
4: 附螺丝
  - ⑨ 特殊码:  
HF:无卤规格



净重5.6g/pcs

NO.	ITEM	Q'TY	DESCRIPTION	FINISH
7	SCREW	2	FERROALLOY	Ni PLATED
6	RIVET	2	COPPER ALLOY	Ni PLATED
5	BOARD LUCK	2	FERROALLOY	Tin PLATED
4	Contact	15	COPPER ALLOY	Au And Tin plated
3	Shell	1	FERROALLOY	Ni PLATED
2	Cover	1	PBT (无卤)	UL94V-0,Black
1	Housing	1	PBT (无卤)	UL94V-0,Black

GENERAL TOLERANCE UNLESS OTHERWISE NOTED

Angle ±5°

X. ±0.50

.X ±0.38

.XX ±0.25

.XXX ±0.10

A4

**DLK** 德力康电子科技有限公司  
DELIKANG ELECTRONICS TECHNOLOGY CO.,LTD

C 名称 TITLE: D-SUB R/A 12.5H CONN

档案名称 FILE NAME: C-DSB4M-00-HF

料号 PART NO: DSB4MD-15BM1YN3\*HF

DRAWING 王永辉 CHECKED

UNIT: mm SCALE 1:1 SHEET: 1 of 1