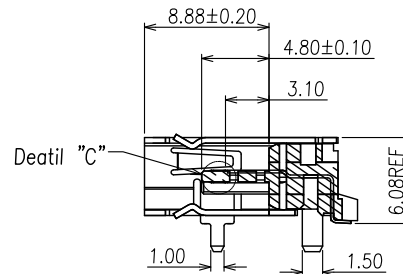
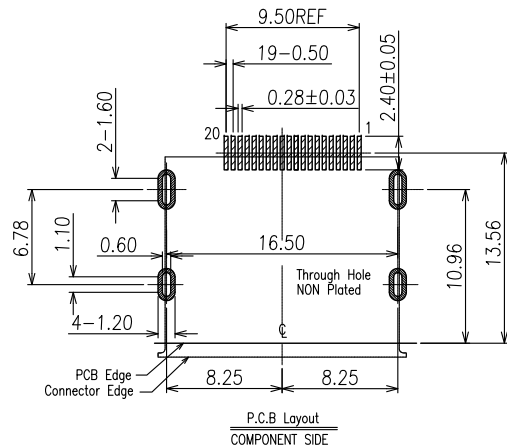
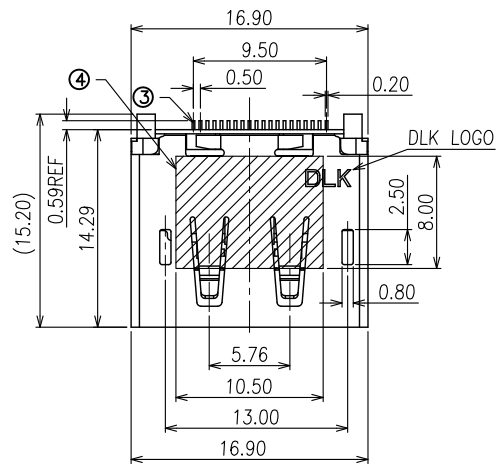


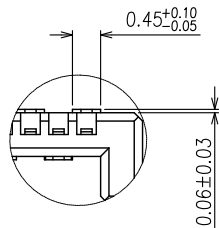
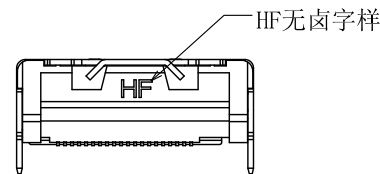
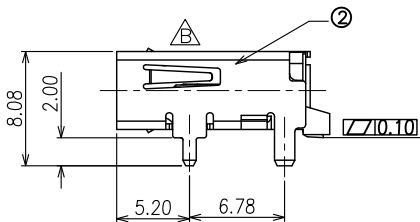
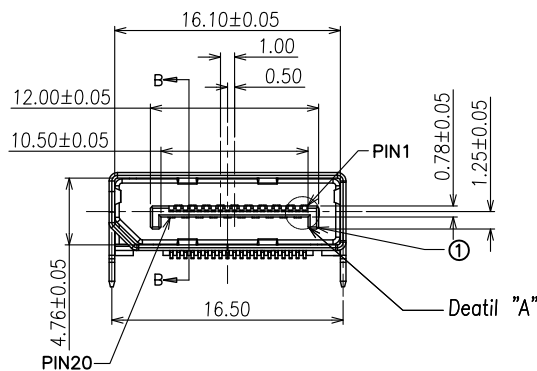
符合"DLK环境管理物质技术标准"

符合VESA协会规范标准"

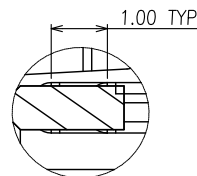
工程变更通知单 ECN(DCN) NO.	版本 REV	日期 DATE	说明 DESCRIPTION	变更 CHANGE	核准 APPRO.
KSECN17045	A	20170814	NEW RELEASE	—	—
KSECN17055	B	20171030	依实物取消两侧弹片头部折弯 Δ *1	王永辉	严成旺



SECTION: B-B
SCALE 4:1



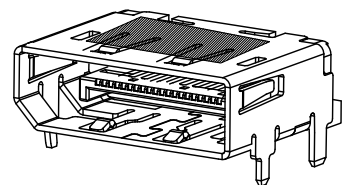
Deatil "A"
SCALE 4:1



Deatil "C"
SCALE 4:1

DPT29 A-20 B M4 R N1 0
① ② ③ ④ ⑤ ⑥ ⑦

- ① PRODUCTION CODE (产品编码) :
DPT29: DisplayPort
- ② CHARACTER (特征) :
A: R/A SMT TYPE
- ③ POSITION (位数) :
20:20PIN
- ④ COLOR OF HOUSING(本体颜色) :
B:BLACK COLOR
- ⑤ PLATING OF CONTACT(端子电镀) :
M4 :Au 15u" min AND MATTE TIN 100u"Min
- ⑥ PACKAGE(包装) :
R :TAPE&REEL PACKAGE
- ⑦ PLATING OF SHELL(铁壳电镀) :
N1:NI PLATD



GENERAL TOLERANCE
UNLESS OTHERWISE NOTED

Angle	±2°
.X	±0.38
.X	±0.30
.XX	±0.25
.XXX	±0.15



德力康电子科技有限公司
DLK DELIKANG ELECTRONICS TECHNOLOGY CO.,LTD

C 名称 TITLE:	DisplayPort SMT Type 6.08H DIP脚长2.0			
	档案名称 FILE NAME:	C-DPT29-00-00	料号 PART NO.:	DPT29A-20BM4RN10
DRAWING	王永辉	CHECKED	—	APPROVED 严成旺
UNIT:	mm	SCALE	1:1	SHEET: 1 of 1

NO.	ITEM	Q'TY	DESCRIPTION	FINISH
4	MYLAR	1	MYLAR	
3	CONTACT	20	COPPER ALLOY	PLATED Au
2	SHELL	1	COPPER ALLOY	PLATED NI
1	HOUSING	1	LCP	UL94V-0,Black