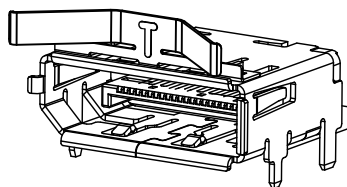
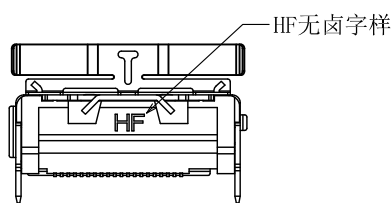
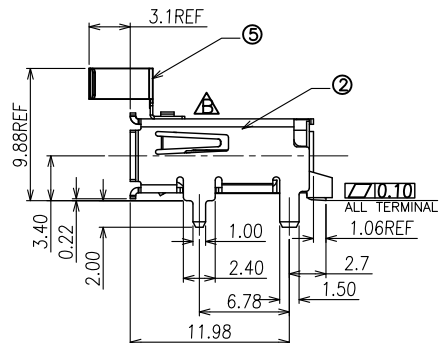
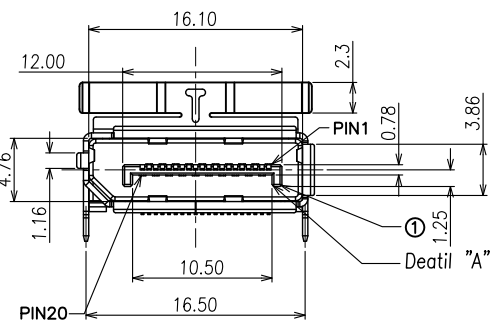
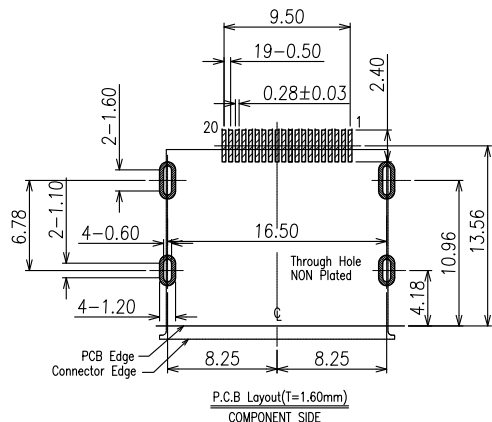
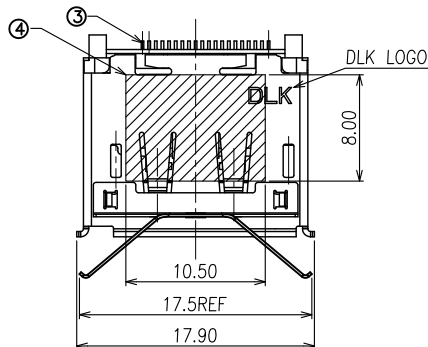


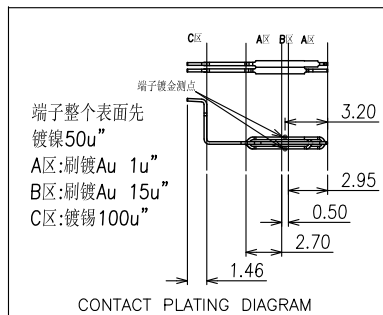
符合"DLK环境管理物质技术标准"

符合VESA协会规范标准"



DPT28 A-20 B ** Y N1 0
① ② ③ ④ ⑤ ⑥ ⑦

- ① PRODUCTION CODE (产品编码):
DPT28: DisplayPort
- ② CHARACTER (特征):
A: R/A SMT TYPE
- ③ POSITION (位数):
20:20PIN
- ④ COLOR OF HOUSING(本体颜色):
B:BLACK COLOR
- ⑤ PLATING OF CONTACT(端子电镀):
M1 :Au 1u" min AND MATTE TIN 100u"Min
M2 :Au 5u" min AND MATTE TIN 100u"Min
M3 :Au 10u" min AND MATTE TIN 100u"Min
M4 :Au 15u" min AND MATTE TIN 100u"Min
M5 :Au 30u" min AND MATTE TIN 100u"Min
- ⑥ PACKAGE(包装):
Y :TRAY PACKAGE
- ⑦ PLATING OF SHELL(铁壳电镀):
N1:NI PLATD



GENERAL TOLERANCE
UNLESS OTHERWISE NOTED

Angle	±5°
X.	±0.50
.X	±0.38
.XX	±0.25
.XXX	±0.15



德力康电子科技有限公司
DLK DELIKANG ELECTRONICS TECHNOLOGY CO.,LTD

C	名称 TITLE:	DisplayPort SMT Type 9.88H			
	档案名称 FILE NAME:	C-DPT28-00-00	料号 PART NO.:	DPT28A-20B**YN10	
DRAWING	王永辉	CHECKED	——	APPROVED	严成旺
	UNIT:	mm	SCALE	1:1	SHEET: 1 of 1

NO.	ITEM	Q'TY	DESCRIPTION	FINISH
5	SHRAPNEL	1	SUS301	——
4	MYLAR	1	MYLAR	——
3	CONTACT	20	COPPER ALLOY	PLATED Au
2	SHELL	1	COPPER ALLOY	PLATED NI
1	HOUSING	1	LCP	UL94V-0,Black