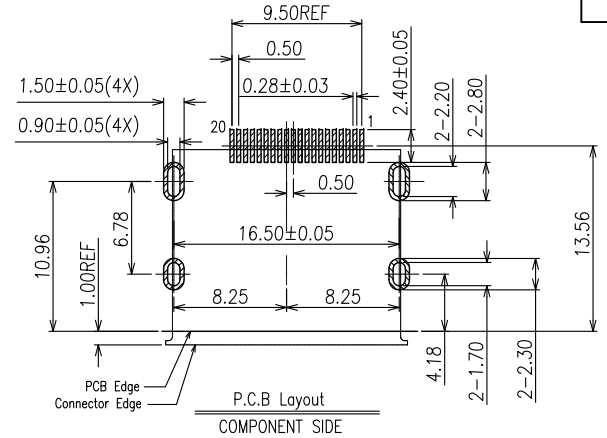
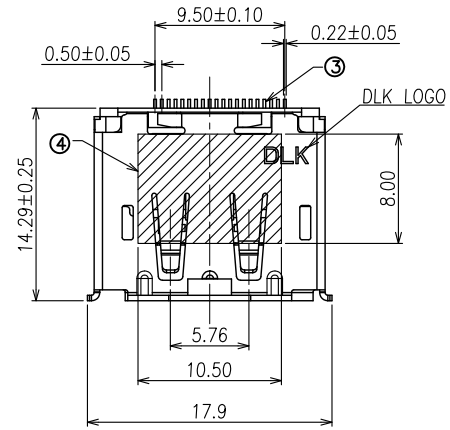


符合"DLK环境管理物质技术标准"

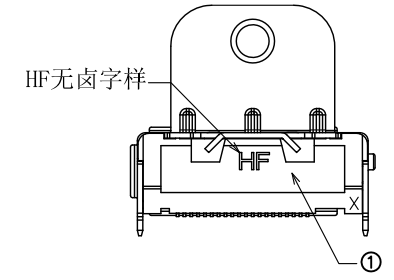
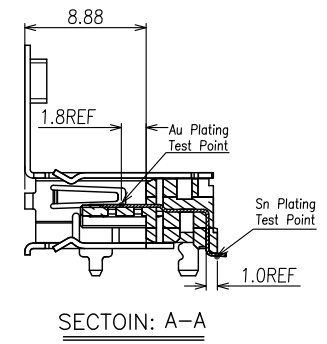
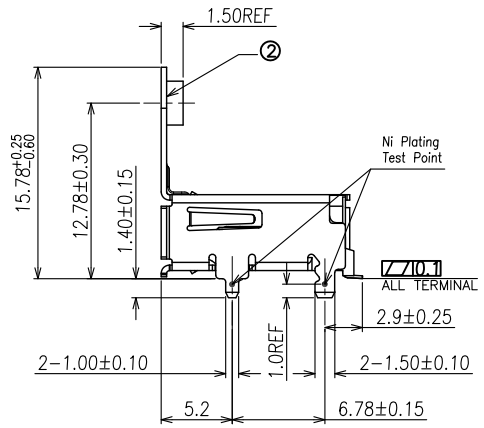
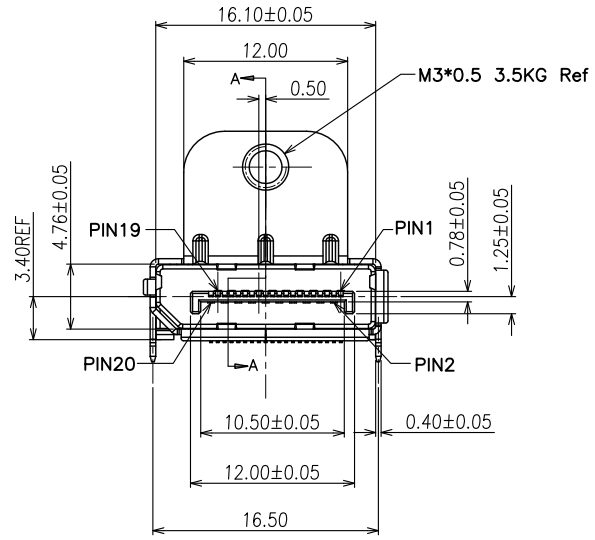
符合VESA协会规范标准"

工程变更通知单 ECN(DCN) NO.	版本 REV	日期 DATE	说明 DESCRIPTION	变更 CHANGE	核准 APPRO.
KSECN19064	A	20191205	NEW RELEASE	—	—



DPT22 A-20 B M4 Y N1 1
① ② ③ ④ ⑤ ⑥ ⑦

- ① PRODUCTION CODE (产品编码):
DPT22: DisplayPort
- ② CHARACTER (特征):
A: R/A SMT TYPE
- ③ POSITION (位数):
20:20PIN
- ④ COLOR OF HOUSING(本体颜色):
B:BLACK COLOR
- ⑤ PLATING OF CONTACT(端子电镀):
M4 :Au 15u" min AND MATTE TIN 100u"Min
- ⑥ PACKAGE(包装):
Y :TRAY PACKAGE
- ⑦ PLATING OF SHELL(铁壳电镀):
N1:NI PLATD



NO.	ITEM	Q'TY	DESCRIPTION	FINISH
4	MYLAR	1	MYLAR	
3	CONTACT	20	COPPER ALLOY	PLATED Au
2	SHELL	1	COPPER ALLOY	PLATED NI
1	HOUSING	1	LCP	UL94V-0,Black

GENERAL TOLERANCE UNLESS OTHERWISE NOTED	
Angle	±2'
X.	±0.38
.X	±0.30
.XX	±0.20
.XXX	±0.15

DLK 德力康电子科技有限公司
DELIKANG ELECTRONICS TECHNOLOGY CO.,LTD

C 名称 TITLE:	DisplayPort SMT Type 12.78H DIP脚长1.4			
档案名称 FILE NAME:	C-DPT22-00-01	料号 PART NO.:	DPT22A-20BM4YN11	
DRAWING	王永辉	CHECKED	—	APPROVED 严成旺
UNIT:	mm	SCALE	1:1	SHEET: 1 of 1