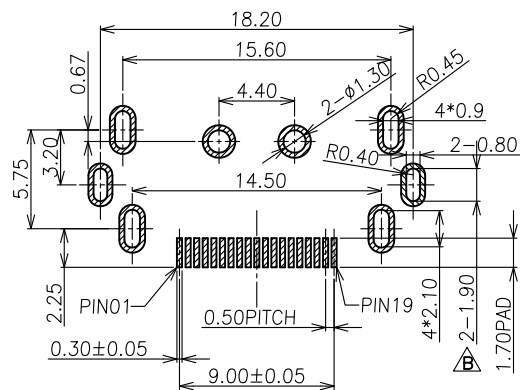
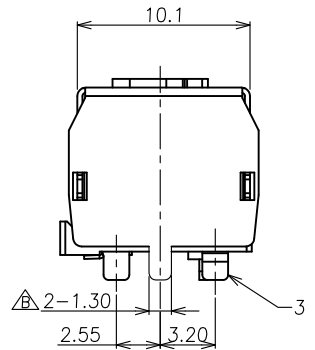
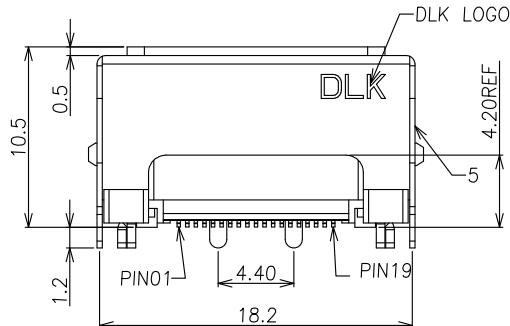
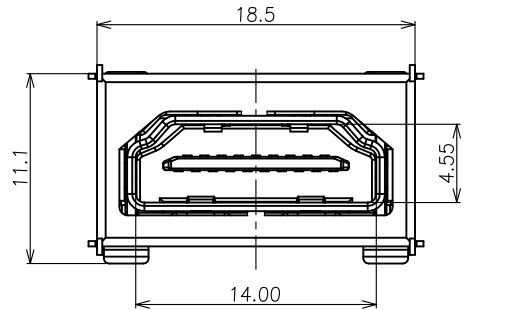


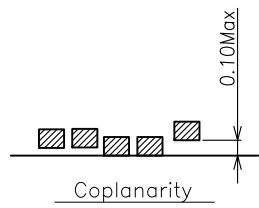
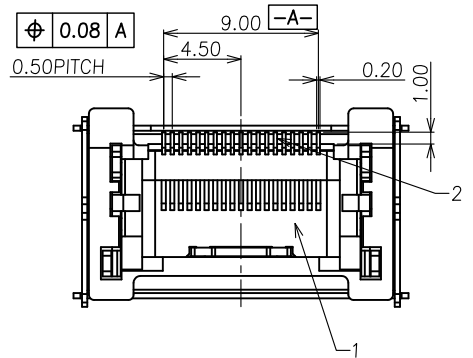
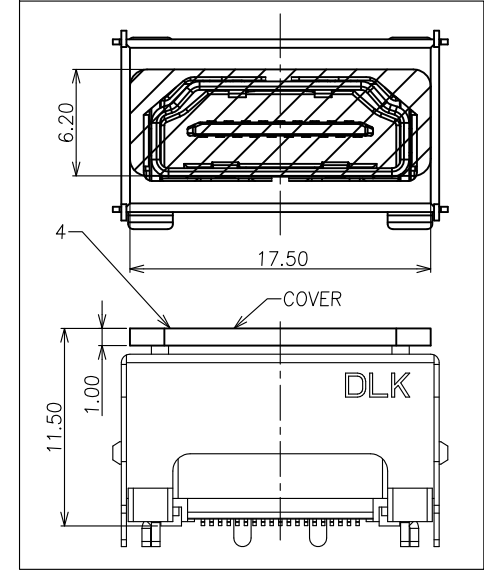
符合"DLK环境管理物质技术标准"

工程变更通知单 ECN (DCN) NO.	版本 REV	日期 DATE	说明 DESCRIPTION	改变 CHANGE	承认 APPRO.
KSECN16048	A	20160711	NEW	—	—
KSECN16062	B	20160918	1. 屏蔽罩脚尺寸由1.50修改为1.30 2. 依实物修改PCB板脚位尺寸由2.30改为1.90	陈浩泽	王永辉



PCB LAYOUT(TOP VIEW T1.2)

1:MATERIAL:  
HOUSING AND STOPPLE:THERMOPLASTIC  
UL94V-0 BLACK  
CONTACT:COPPER ALLOY,T=0.2mm  
SHELL:COPPER ALLOY,T=0.5mm  
2:MECHANICAL CHARACTERISTICS:  
INSERTION FORCE:44.1N MAX  
EXTRACTION FORCE:9.8-39.2N  
DURABILITY:10000 CYCLES  
TERMINAL RETENTION:0.3kgf MIN  
OPERATING TEMPERATURE:-20°C--+85°C  
STORAGE TEMPERATURE:-20°C--+65°C  
3:ELECTRICAL CHARACTERISTICS:  
RATING CURRENT:0.5A  
RATING VOLTAGE:40V  
CONTACT RESISTANCE:10mΩE MAX  
INSULATION RESISTANCE:  
100MΩE MIN AT 500VAC  
DIELECTRIC WITHSTANDING VOLTAGE:  
500VAC/1MINUTE



HDM4L B-19 B G2 R N3 0  
① ② ③ ④ ⑤ ⑥ ⑦

- ① PRODUCTION CODE:  
HDM2L: HDMI SERIES
- ② CHARACTER:  
B: STRAIGHT ANGLE TYPE
- ③ POSITION:  
19: 19PIN
- ④ COLOR OF HOUSING:  
B: BLACK COLOR
- ⑤ PLATING OF CONTACT:  
G2: G/F PLATED
- ⑥ PACKAGE(包装):  
R: TAPE&REEL PACKAGE
- ⑦ PLATING OF SHELL:  
N3: NI PLATD

NO.	ITEM	Q'TY	DESCRIPTION	FINISH
5	SHIELD CASE	1	SPTF	TIN PLATED
4	STOPPLE	1	LCP	UL94V-0, BLACK
3	SHELL	1	SPCC	PLATED Ni
2	CONTACT	19	COPPER ALLOY	PLATED Au
1	HOUSING	1	LCP	UL94V-0, BLACK

GENERAL TOLERANCE UNLESS OTHERWISE NOTED	
Angle	±1°
X.	±0.30
.X	±0.25
.XX	±0.15
.XXX	±0.10

**德力康电子科技有限公司**  
DLK DELIKANG ELECTRONICS TECHNOLOGY CO.,LTD

**C** 名称 TITLE: HDMI A/F V/T 10.5H 19PIN CONN.  
档案名称 FILE NAME: C-HDM4L-00-00 料号 PART NO: HDM4LB-19BG2RN30

DRAWING GP. LU CHECKED APPROVED 严成旺

UNIT: mm SCALE 1:1 SHEET: 1 of 1