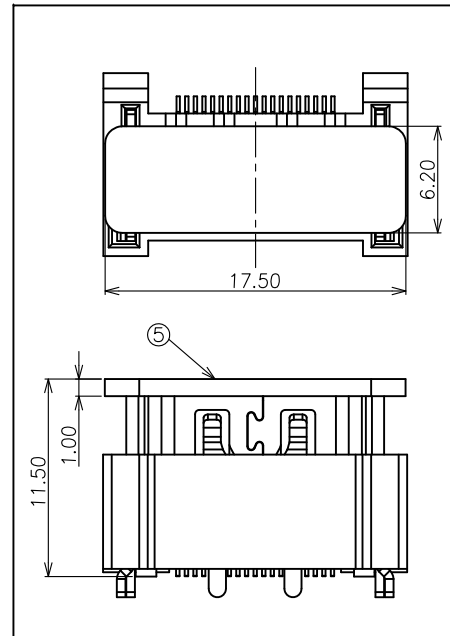
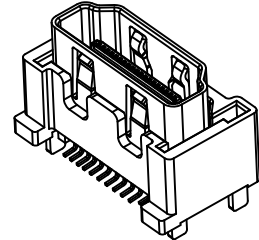
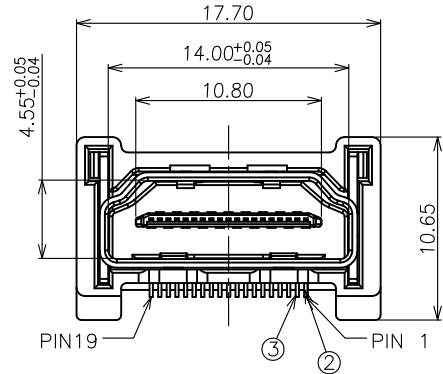


符合"DLK环境管理物质技术标准"

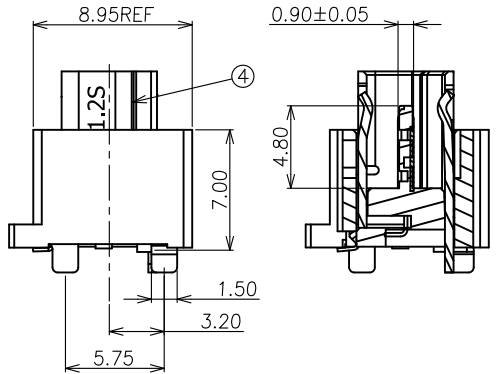
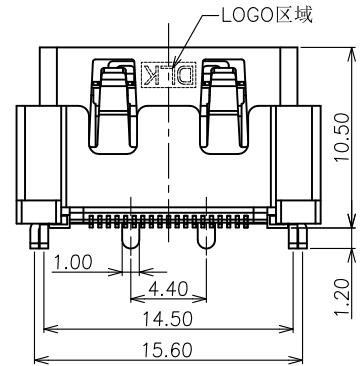
工程变更通知单 ECN (DCN) NO.	版本 REV	日期 DATE	说明 DESCRIPTION	改变 CHANGE	承认 APPRO.
—	A	02/27/14'	NEW	—	—



1:MATERIAL:  
HOUSING AND STOPPLE:THERMOPLASTIC  
UL94V-0 BLACK  
CONTACT:COPPER ALLOY,T=0.2mm  
SHELL:COPPER ALLOY,T=0.5mm  
2:MECHANICAL CHARACTERISTICS:  
INSERTION FORCE:44.1N MAX  
EXTROCTION FORCE:9.8-39.2N  
DURABILITY:10000 CYCLES  
TERMINAL RETENTION:0.3Kgf MIN  
OPERATING TEMPERATURE:-20°C--+85°C  
STORAGE TEMPERATURE:-20°C--+65°C  
3:ELECTRICAL CHARACTERISTICS:  
RATING CURRENT:0.5A  
RATING VOLTAGE:40V  
CONTACT RESISTANCE:10mΩE MAX  
INSULATION RESISTANCE:  
100MΩE MIN AT 500VAC  
DIELECTRIC WITHSTANDING VOLTAGE:  
500VAC/1MINUTE

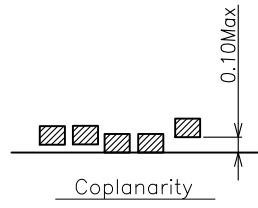
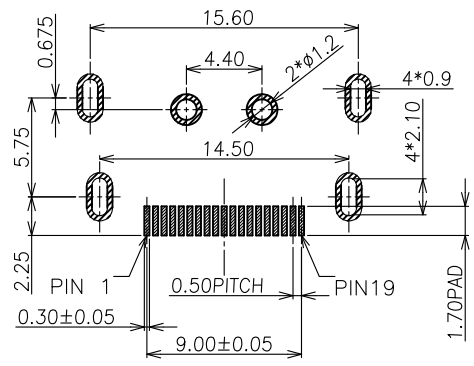
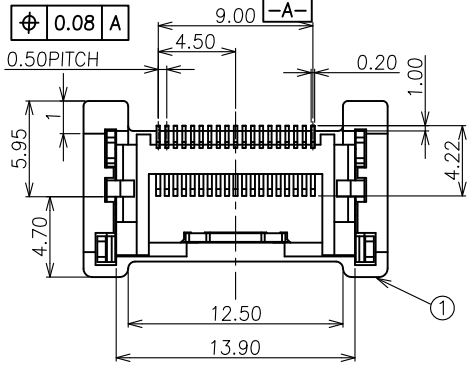
A  
B  
C  
D  
E  
F  
G  
H  
I  
J

A  
B  
C  
D  
E  
F  
G  
H  
I  
J



HDM2L B-19 B G2 R N3 L  
① ② ③ ④ ⑤ ⑥ ⑦

- ① PRODUCTION CODE:  
HDM2L: HDMI SERIES
- ② CHARACTER:  
B: STRAIGHT ANGLE TYPE
- ③ POSITION:  
19:19PIN
- ④ COLOR OF HOUSING:  
B: BLACK COLOR
- ⑤ PLATING OF CONTACT:  
G2:接触区域单面刷Au 1u", 焊接区域双面刷Au 2u"
- ⑥ PACKAGE(包装):  
R:TAPE&REEL PACKAGE
- ⑦ PLATING OF SHELL:  
N3:NI PLATD



PCB LAYOUT(TOP VIEW T1.2)

NO.	ITEM	Q'TY	DESCRIPTION	FINISH
4	STOPPLE	1	LCP	UL94V-0, BLACK
3	SHELL	1	SPCC	PLATED Ni
2	CONTACT	19	COPPER ALLOY	PLATED Au
1	HOUSING	1	LCP	UL94V-0, BLACK

GENERAL TOLERANCE UNLESS OTHERWISE NOTED	
Angle	±1°
X.	±0.30
.X	±0.25
.XX	±0.15
.XXX	±0.10

德力康电子科技有限公司  
DLK DELIKANG ELECTRONICS TECHNOLOGY CO.,LTD

C	名称 TITLE:	HDMI A/F V/T 10.5H 19PIN CONN.	料号 PART NO.:	HDM2LB-19BG2RN3L
	档案名称 FILE NAME:	C-HDM2L-00-3L	PART NO. (OLD)	—
DRAWING	GP. LU	CHECKED	APPROVED	CW.Y
UNIT:	mm	SCALE	1:1	SHEET: 1 of 1