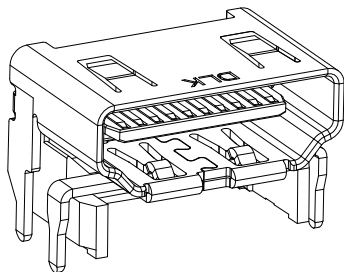
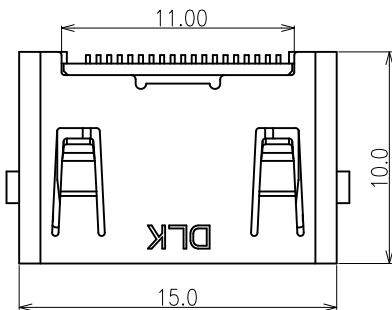


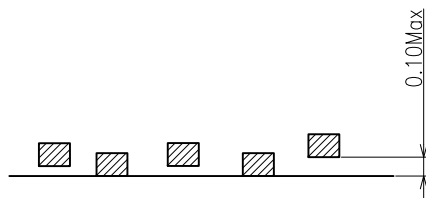
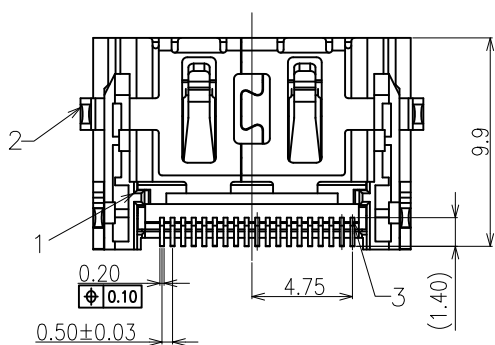
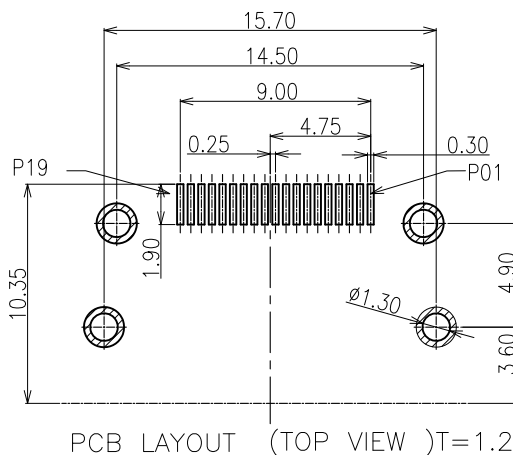
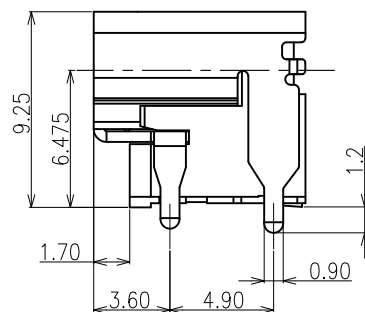
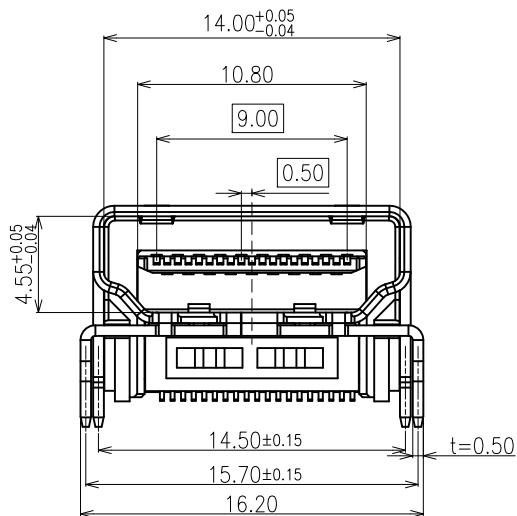
符合DLK环境管理物质技术标准,符合HDMI协会标准

工程变更通知单 ECN(DCN) NO.	版本 REV	日期 DATE	说明 DESCRIPTION	改变 CHANGE	承认 APPRO.
KSECN17049	A	20170816	NEW	—	—



HDM2F A-19 B G1 R N1 5  
① ② ③ ④ ⑤ ⑥ ⑦

- ① PRODUCTION CODE (产品编码):  
HDM2F: HDMI SERIES
- ② CHARACTER (特征):  
A:180° SMT TYPE
- ③ POSITION (位数):  
19:19PIN
- ④ COLOR OF HOUSING(本体颜色):  
B:BLACK COLOR
- ⑤ PLATING OF CONTACT(端子电镀):  
G1 :接触区域单刷3u"Au,焊接区域刷1u"Au
- ⑥ PACKAGE(包装):  
R :TAPE&REEL PACKAGE
- ⑦ PLATING OF SHELL(铁壳电镀):  
N1:NI PLATD



COPLARNITY

GENERAL TOLERANCE  
UNLESS OTHERWISE NOTED

Angle	±5°
X.	±0.30
.X	±0.25
.XX	±0.15
.XXX	±0.10

 德力康电子科技有限公司  
DELIKANG ELECTRONICS TECHNOLOGY CO.,LTD

C 名称 TITLE:	HDMI A/F R/A 9.25H			
档案名称 FILE NAME.	C-HDM2F-00-05	料号 PART NO.:	HDM2FA-19BG1RN15	
DRAWING	汪庆	CHECKED	王永辉	APPROVED 严成旺
UNIT:	mm	SCALE	1:1	SHEET: 1 of 1

3	CONTACT	19	COPPER ALLOY	PLATED Au
2	SHELL	1	COPPER ALLOY	PLATED NI
1	HOUSING	1	LCP	UL94V-0,Black
NO.	ITEM	Q'TY	DESCRIPTION	FINISH