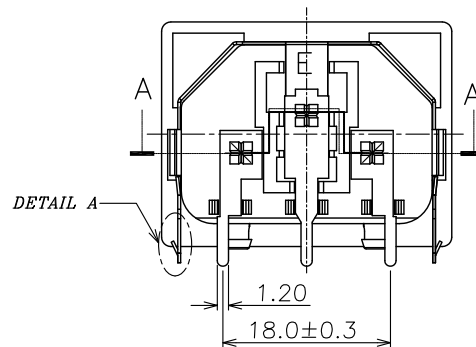
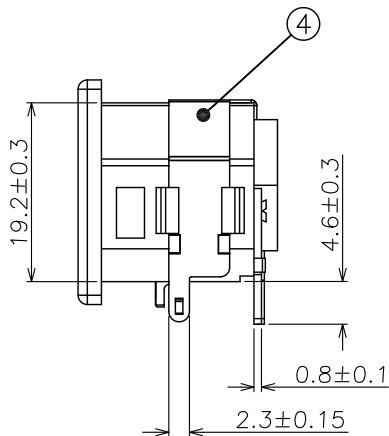
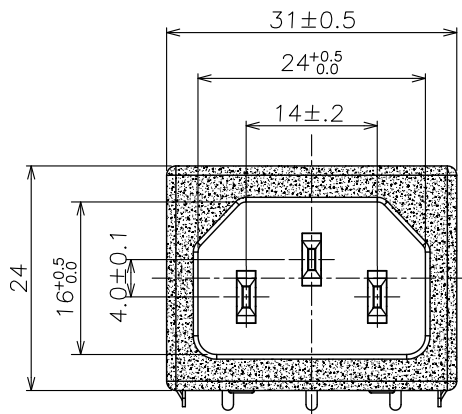


符合"DLK环境管理物质技术标准"

工程变更通知单 ECN(DCN) NO.	版本 REV	日期 DATE	说明 DESCRIPTION	改变 CHANGE	承认 APPRO.
—	A	07/26/12'	NEW	—	—
—	B	10/12/12"	以客户要求, 10.1±0.25修改为 9.90±0.3, 19.2±0.3修改为19.0±0.3	陆桂棚	严成旺
KSECN16026	C	20160429	增加马口铁卡扣0.95 ^{+0.10} _{-0.05} 尺寸  *1	王永辉	严成旺

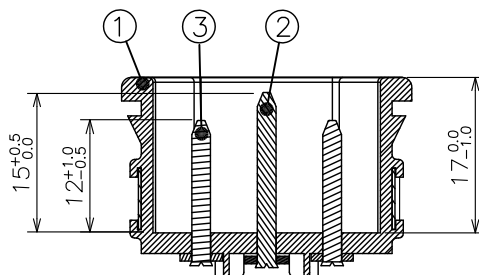


料号说明:

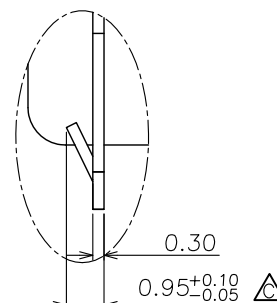
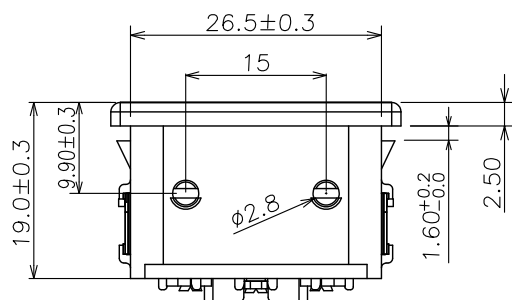
ACT3K D-03 B T3 B 01 8

① ② ③ ④ ⑤ ⑥

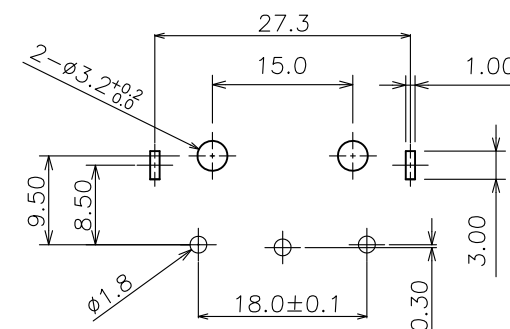
- ① PRODUCTION CODE (产品编码):
ACT3K: AC SOCKET SERIES
- ② CHARACTER (特征):
D: STRAIGHT ANGLE TYPE
- ③ POSITION (位数):
03: 3 PIN
- ④ COLOR OF HOUSING(本体颜色):
B: BLACK COLOR
- ⑤ PLATING OF CONTACT(端子电镀):
T3: Tin PLATD
- ⑥ PACKAGE(包装):
B : BOX PACKAGE



SECTION A-A



DETAIL A (4:1)



PCB LAYOUT

4	GROUND Pin	1PCS	SPTe		
3	Soldering Pin	3PCS	CU PLATED Sn	FIMKO 24884	DEMKO 314428-02
2	Contact Pin	3PCS	CU PLATED Ni	NEMKO P07208529/A1	SEMKO 902915
1	HOUSING	1PCS	PA66	NO 2004010204117948	VDE 40010513
ITEM	PART NAME	Q'TY	MATERIAL	UL E217394	CUL E217394

额定规格 RATING: 10A 250V~,15A 250V~

认证证书 APPROVAL

GENERAL TOLERANCE
UNLESS OTHERWISE NOTED

Angle	±5°
X.	±0.30
.X	±0.25
.XX	±0.15
.XXX	±0.10



德力康电子科技有限公司



DELIKANG ELECTRONICS TECHNOLOGY CO.,LTD

C 名称 TITLE:	CDJ-3K-3-B8	料号 PART NO.:	ACT3KD-03BT3B018
档案名称 FILE NAME:	C-ACT3K-00-18	PART NO. (OLD)	CDJ-3
DRAWING	刘三东	CHECKED	~ ~
UNIT:	mm	SCALE	1:1
		SHEET:	1 of 1

李如均