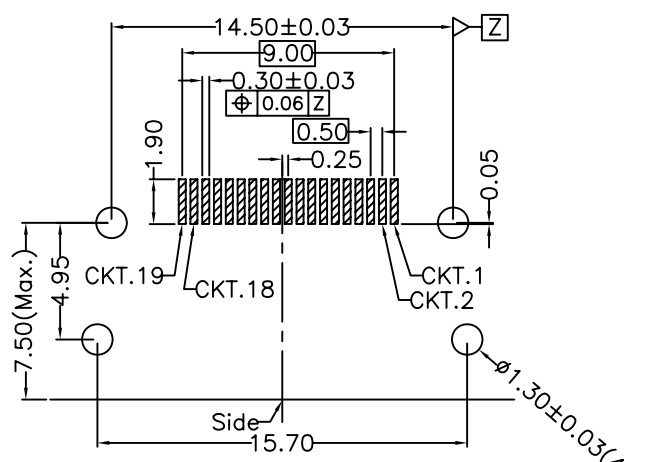
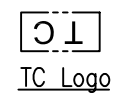
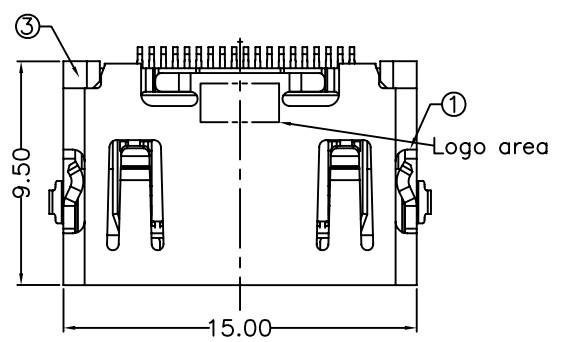


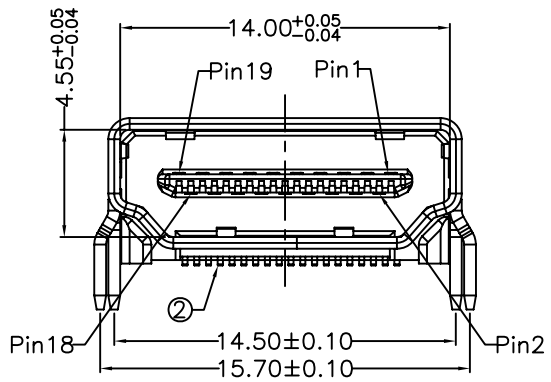
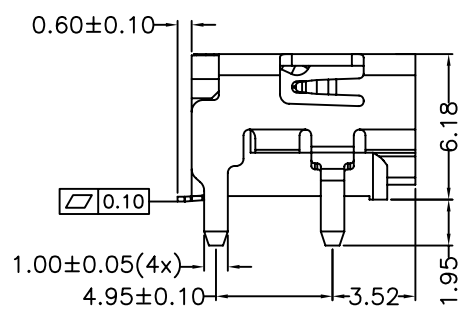
THE PART MEETS TECONN "GPO01" COMPLIANCE



Recommended PCB Layout Connector Side
(General Tolerance:±0.05)

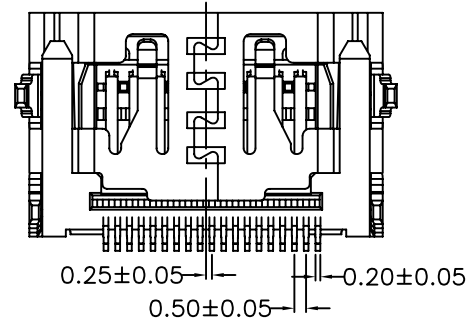


A111989-X-XX-X
 Logo ——— X
 G:No Logo
 F:TC Logo
 Contact Area Plating ——— X
 Packing Type ——— X
 01: Au 1u"Min. T:Tray
 03: Au 3u"Min. R:Tape & Reel
 05: Au 5u"Min.
 10: Au 10u"Min.
 15: Au 15u"Min.
 30: Au 30u"Min.


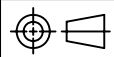


Item	Title	Material	Dispose	Remark
1	Shell	Brass t=0.50	Ni 50u"(min.)	
2	Terminal	Brass t=0.20	Mating Area:See P/N Solder Tails:Matte Tin	
3	InsertMolding	LCP	UL94V-0	Black

Electrical:
 Rating Current: 0.5A
 Rating Voltage: 40V
 Contact Resistance: 10 Millohms Ohms Max
 (Excluding Conductor Resistance)
 Insulation Resistance:
 a.Unmated: 100M Ohms Min at 500VDC
 b.Mated: 10M Ohms Min at 150 VDC



REV	ECN NO	DESCRIPTION	DATE
A	TE2010-174	New Drawing	2010/03/18

X. ± 0.40	APPD:	TITLE:	 泰康电子 TECONN	
.X ± 0.30	CHKD:	HDMI-A-19P-F/Short/No Screw InsertMold		
.XX ± 0.20	DR:	PART NO:		
.XXX ± 0.10	Henry Sun	A111989-G(F)-XX-X		
X* ± 2.5*		DWG NO:	CUSTOMER DRAWING	
.X* ± 2*		C-A111989-G(F)-XX-X		
		UNITS: mm	SCALE: 3:1	SHEET:10F1 REV: A