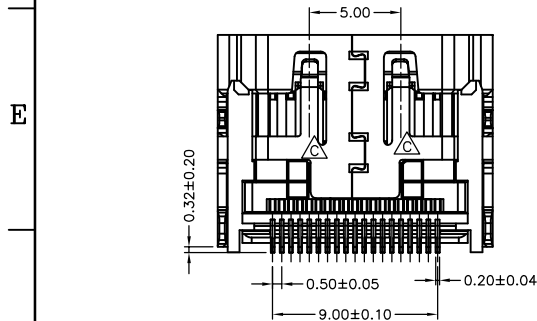
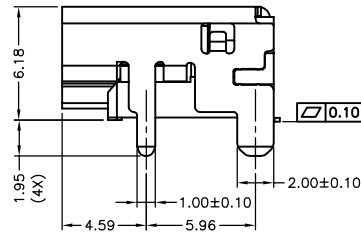
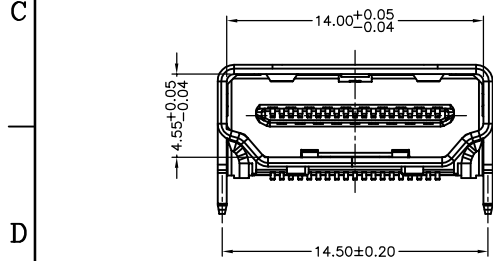
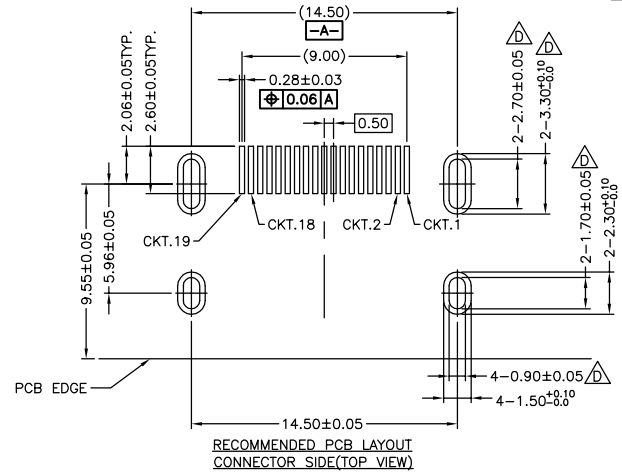
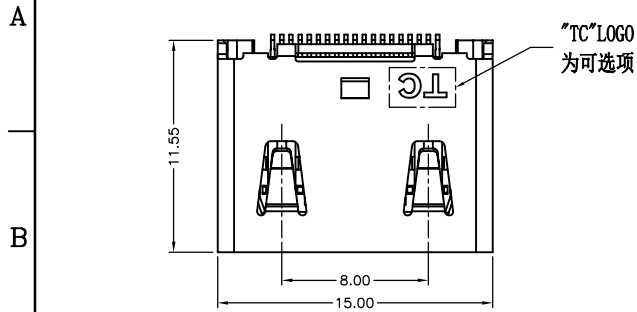


符合泰康“环境相关物质管理规定GP001”



NOTES:
 1.MATERIAL AND FINISH SEE THE TABLE.
 2.MECHANICAL CHARACTERISTICS
 INSERTION FORCE: 44.1N MAX
 EXTROCTION FORCE: 9.8N MIN, 39.2N MAX
 MATING CYCLE:10000 CYCLES
 3.ELECTRICAL CHARACTERISTICS
 RATING CURRENT: 0.5A
 RATING VOLTAGE: 40V
 CONTACT RESISTANCE: 10 MILLOHMS OHMS MAX
 (EXCLUING CONDUCTOR RESISTANCE)
 INSULATION RESISTANCE:
 a, UNMATED: 100M OHMS MIN AT 500 VDC
 b, MATED: 10M OHMS MIN AT 150 VDC
 DIELECTRIC WITHSTANDING VOLTAGE:
 500V AC/1MINUTE
 OPERATING TEMPERATURE: -20°C--+85°C
 STORAGE TEMPERATURE: -20°C--+65°C

料号信息说明:

类别: A:成品
 系列码: 11:HDMI-A/F
 PIN数码: 19:19PIN
 流水码: 10
 同类变动码:
 C: SHELL WITH "TC" LOGO
 D: SHELL WITHOUT LOGO

包装:
 R:TAPE REEL
 T: TRAY

端子接触区电镀:
 01: Au 1u"
 03: Au 3u"
 05: Au 5u"
 10: Au 10u"
 15: Au 15u"
 30: Au 30u"

料号: A111922-X-XX-X

D	TE2019-1008	与客户要求尺寸一致	Bingo	2019.10.09
C	TE2010-408	取消肋条	XiaoLiang	2010.06.09
B	TE2010-380	外壳底部弹片修改为5.00mm且加肋条	XiaoLiang	2010.05.28
A	TE2010-247	初版发行	XiaoLiang	2010.04.23
REV	ECN NO	DESCRIPTION	DESIGN	DATE

03	端子	T111922-A-XX-A	C2680, T=0.20	镀底镍.接触区见料号说明,尾部雾锡	1set
02	铜壳	K111922-D-ON-A	C2680, T=0.50	镀可焊镍 (无 LOGO)	1
		K111922-C-ON-A	C2680, T=0.50	镀可焊镍 (TC LOGO)	
01	半成品	B111922-A-XX-A	LCP UL94V-0	黑色	1
NO.	名称	料号	材质	电镀/颜色	数量
X. ± XXX	APPD:	Lebon Lee		TITLE:	客户图 SHEET:10F1 REV: D
.X ± 0.30	CHKD:			HDMI-A/F CONN. 普通型 SMT TYPE 外壳无凸包	
.XX ± 0.25	DR:	XiaoLiang		PART NO:	
.XXX±				A111922-C(D)-XX-X	
X* ± 2°	UNITS:	mm	SCALE:	NONE	DWG NO:
X* ± 1.5°					C-A111922-C(D)-XX-X