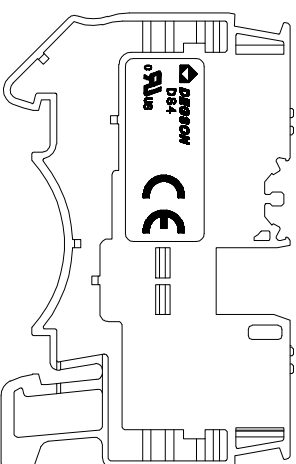
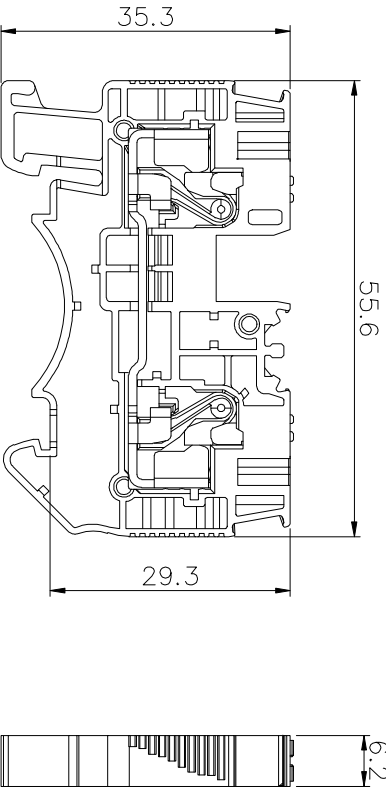
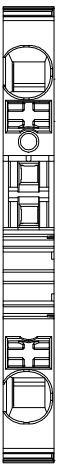


REVISION RECORD			
REV	ECN	DESCRIPTION	DRFT DATE



DSA - 01P - 1Y - 00A (H)
 (RoHS)
 (Series No.) (Poles) (Single Pitch) 00A - (Standard)
 (Color): 1. (Grey) 2. (Blue) 3. (Black) 4. (Green) 5. (Orange) 6. (Red) 7. (Transparent) 8. (Yellow) 9. (White)

NOTES2:

- 1.Dimension shall be interpreted per ASME Y14.5-2009
- 2.Pitch : 6.20mm, Poles : 01P
- 3.Stripping length : 11~13mm
- 4.Operating temperature: -40°C~+105°C
- 5.Undimensioned tolerances:

NOTES1:

1. Rated voltage/current : 600V / 30A
2. Withstanding voltage : AC2200V/Min.
3. Wire range : 24~10AWG

IEC Standard

1. Pollution degree	3
Overvoltage category	III
Rate impulse voltage(KV)	8.0KV
Rate voltage(V)	1000V
Rate current(A)	32 A

2. Wire range : 0.2~4mm² and 6 mm²(sol)

Pitch	Over	Over	In	Nominal	Dimension	Range	Over	Over	Over	Over	Over
mm	6	10	TO	TO	TO	TO	30	60	100	150	0.1/10
±0.15/±0.20	±0.30	±0.30	±0.30	±0.50	±0.70	±1.00	±1.30	±2	±2	±2	±2

6. RoHS Compliance

DETACHED LISTS			
PART NO.:	/	NAME:	宁波高燃电子有限公司
APPD:	/	DEGSON®	NINGBO DEGSON ELECTRICAL CO., LTD
CHKD:	/	TITLE:	CUSTOMER DRAWING
DRFT:	/	DRAWING NO.:	/
THIRD ANGLE PROJECTION		SCALE	1:1

A 8 7 6 5 4 3 2 1