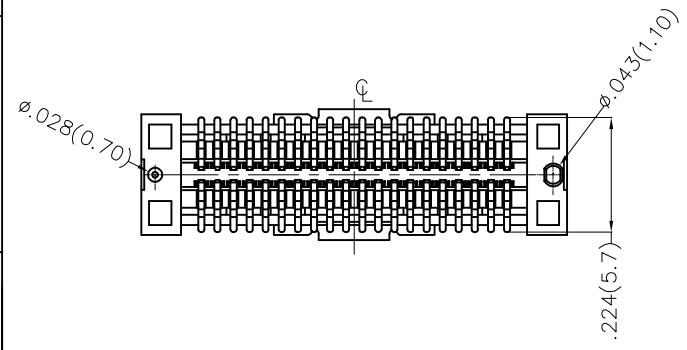
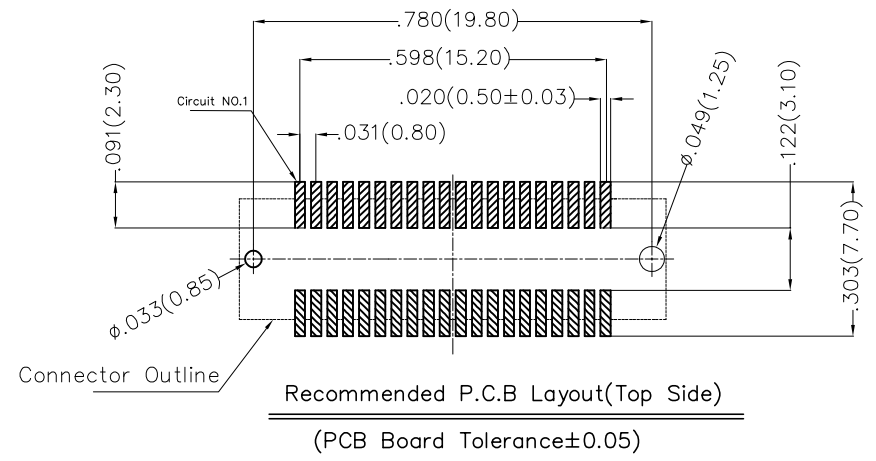
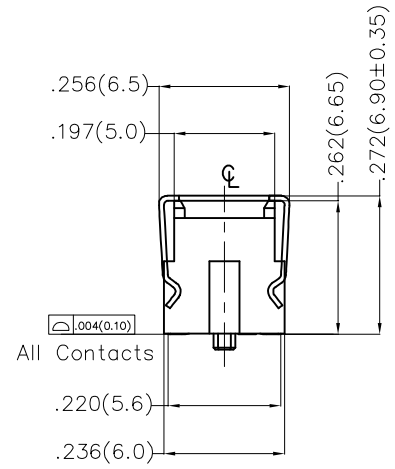
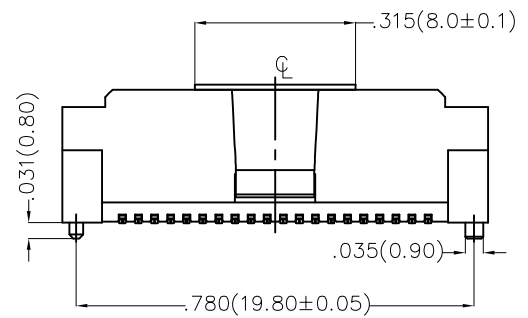
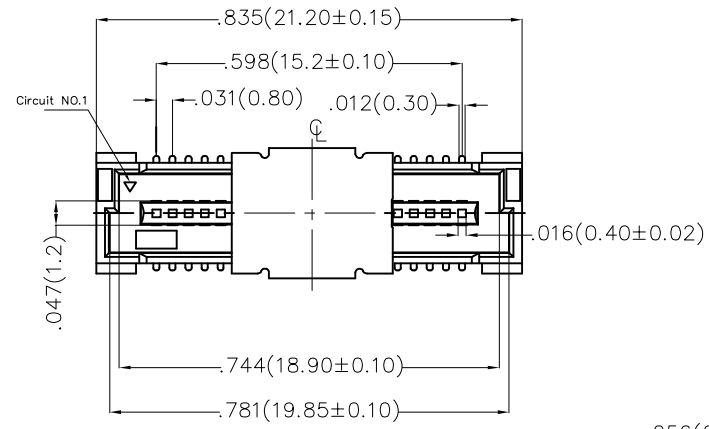


REV	LOCATIONS	DESCRIPTION	DATE	REVISER	APPD

Electrical  
 Current Rating: 0.5A AC(rms)/DC  
 Voltage Rating: 50V AC(rms)/DC  
 Contact Resistance: 50 mΩ Max.  
 Insulation Resistance: 500 MΩ Min.  
 Withstanding Voltage: 200V AC r.m.s  
 Temperature Range-Operating: -35°C~+85°C

Material and Plating  
 Housing: LCP (UL94V-0)  
 Contacts Pin: Phosphor Bronze  
 Plating: Selective gold in contact area, tin on tail



### Ordering Information

FBB 080 07 — M 40 S 3 XX 3 W5 M  
 1 2 3 4 5 6 7 8 9 10 11

1   Category FBB-Board To Board	2   Series Number 080-Pitch 0.8mm	3   Distinction No. 07	4   Type M-Male	5   Circuits 40	6   Entry Angle S-180° Vertical
7   Plating 3-Selective gold in contact area, tin on tail	8   Thickness of Plating 01-1μ" 05-5μ" Custom plate available	9   Material-Resin 3-LCP	10   Color-Resin W5-Natural	11   Packaging M-Reel	

 THIRD ANGLE PROJECTION	GENERAL TOLERANCES (UNLESS SPECIFIED)		APPROVE BY FRANK	DATE 14/AUG/19	PART NO. FBB08007-M40S3XX3W5M	ITEM NO. FBB08007	 Leader Of Industry	
	DESIGN UNITS Inch (metric)	X.±.012(0.30) X.X±.008(0.20) X.XX±.006(0.15) X.XXX±.004(0.10)	X'.±5' .X'±2' .XX'±1' .XXX'±0.5'	CHECKED BY CHERRY	DATE 14/AUG/19	TITLE Board to Board Pitch 0.8mm 180° Vertical (SMT)		REV 0
SCALE 5:1	SIZE A4		DRAWN BY ZOEY	DATE 14/AUG/19	THIS DRAWING CONTAINS INFORMATION THAT IS PROPRIETARY TO TXGA INDUSTRIAL ELECTRONICS(S.Z)CO.,LTD AND SHOULD NOT BE USED WITHOUT WRITTEN PERMISSION			