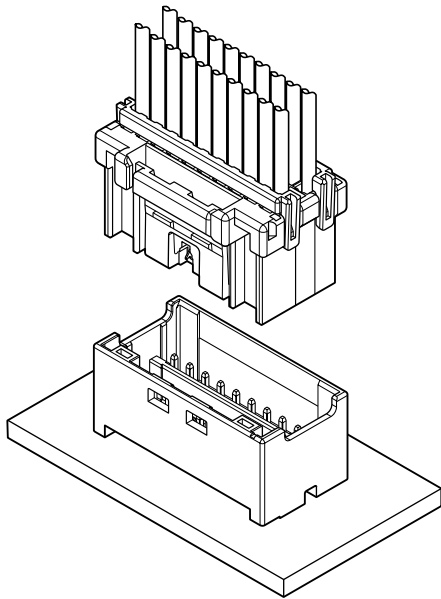


PID CONNECTOR

2.0mm pitch/Disconnectable Crimp style connectors



This PID connector is a 2.0mm pitch box type wire-to-board connector with secure lock device, and it has the mechanism for detecting half mating, which is possible to judge electrically whether its state is the complete or incomplete mating by the circuit of detecting half mating provided at the part of connector.

- Mechanism for detecting half mating
- Box type header
(Potting treatment height is 6.5 mm max.)
- Retainer
- Secure locking device

Specifications

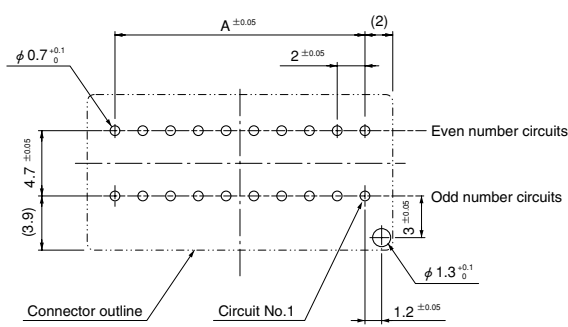
- Current rating: 3 A AC, DC (AWG #22)
- Voltage rating: 250 V AC, DC
- Temperature range: -25°C to +85°C
(including temperature rise in applying electrical current)
- Contact resistance: Initial value/ 10 m Ω max.
After environmental tests/ 20 m Ω max.
- Insulation resistance: 1,000 MΩ min.
- Withstanding voltage: 800 VAC/minute
- Applicable wire: AWG #26 to #22
- Applicable PC board thickness: 1.6 mm

- * Refer to "General Instruction and Notice when using Terminals and Connectors" at the end of this catalog.
- * Contact JST for details.
- * Compliant with RoHS.

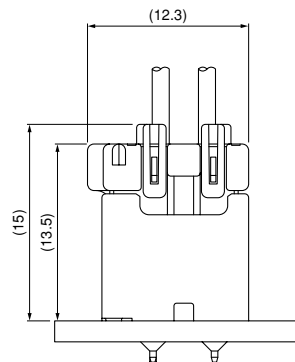
Standards

Recognized E 60389

PC board layout and Assembly layout



Recommendable PC Board hole layout

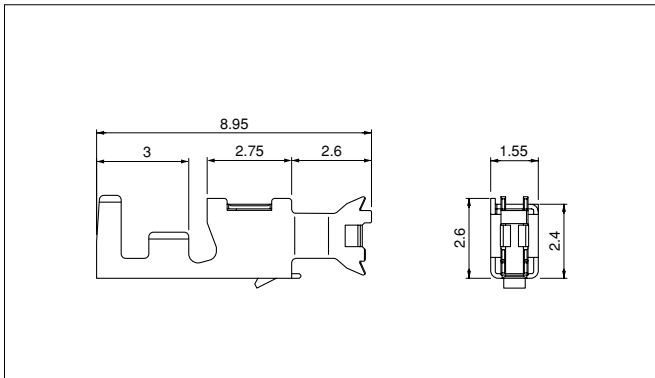


Circuits	Dimensions (mm)		Circuit No. of detection
	A	B	
10	8.0	12.0	5
12	10.0	14.0	7
14	12.0	16.0	7
16	14.0	18.0	9
18	16.0	20.0	9
20	18.0	22.0	11
22	20.0	24.0	11
24	22.0	26.0	13
26	24.0	28.0	13
30	28.0	32.0	15

- Note: 1. The above figure is the figure viewed from the connector mounting side.
 2. Tolerances are non-cumulative: ±0.05 mm for all centers.
 3. Hole dimensions differ according to the type of PC board and piercing method.
 The dimensions above should serve as a guideline. Contact JST for details.

PID CONNECTOR

Contact



Model No.	Applicable wire		Insulation O.D. (mm)	Q'ty/reel
	mm ²	AWG#		
SPID-001T-P0.5	0.13~0.33	26~22	1.0~1.5	7,500

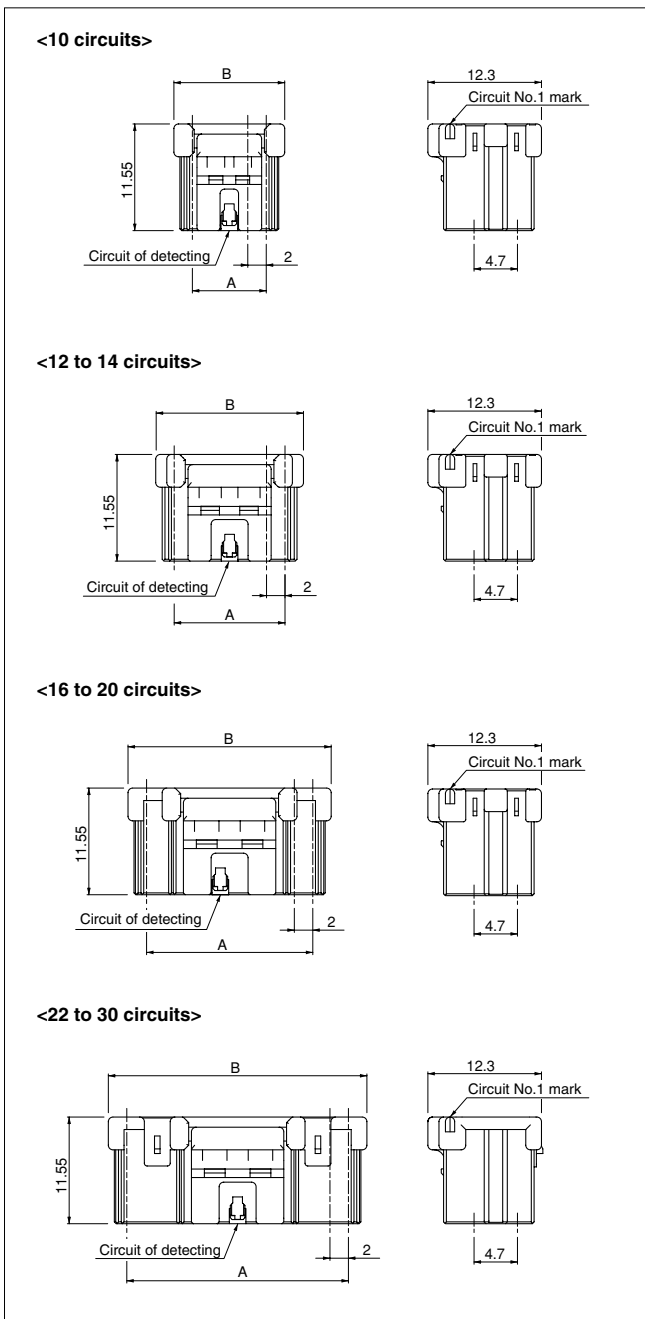
Material and Finish

Copper alloy, tin-plated (reflow treatment)

RoHS compliance

Contact	Crimping machine	Applicator		
		Crimp applicator	Dies	Crimp applicator with dies
SPID-001T-P0.5	AP-K2N	MKS-L	MK/SPID-001-05	APLMK SPID001-05

Housing



Circuits	Model No.	Dimensions (mm)		Q'ty/bag
		A	B	
10	PIDRP-10V-S	8.0	12.0	1,000
12	PIDRP-12V-S	10.0	14.0	1,000
14	PIDRP-14V-S	12.0	16.0	1,000
16	PIDRP-16V-S	14.0	18.0	1,000
18	PIDRP-18V-S	16.0	20.0	1,000
20	PIDRP-20V-S	18.0	22.0	1,000
22	PIDRP-22V-S	20.0	24.0	500
24	PIDRP-24V-S	22.0	26.0	500
26	PIDRP-26V-S	24.0	28.0	500
30	PIDRP-30V-S	28.0	32.0	500

Material

Glass-filled PBT, UL94V-0, natural

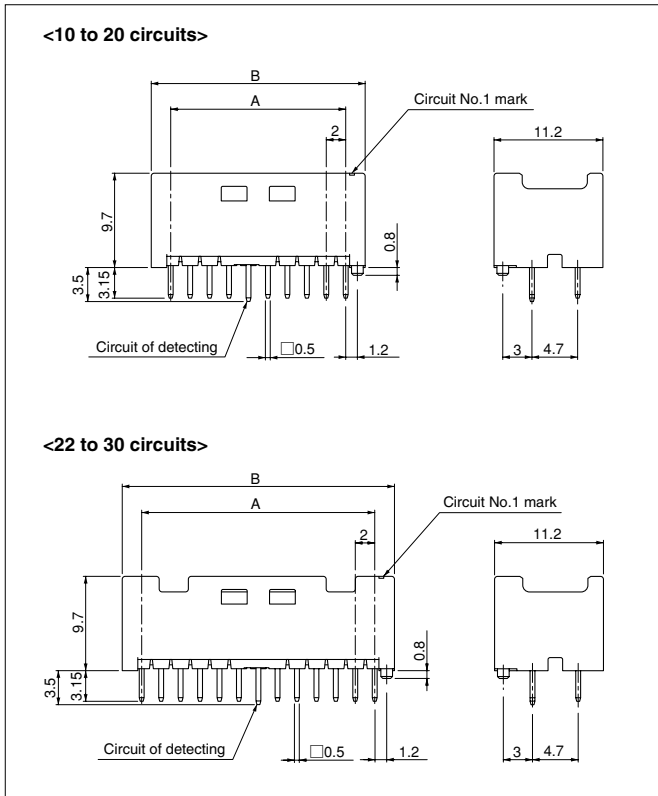
RoHS compliance

<For reference> As the color identification, the following alphabet shall be put in the underlined part. For availability, delivery and minimum order quantity, contact JST.

ex. **PIDRP-10V-S**
S...natural K...black

PID CONNECTOR

Header



Circuits	Model No.	Dimensions (mm)		Q'ty/ box
		A	B	
10	B10B-PIDSS-1	8.0	12.0	4,000
12	B12B-PIDSS-1	10.0	14.0	3,360
14	B14B-PIDSS-1	12.0	16.0	2,880
16	B16B-PIDSS-1	14.0	18.0	2,560
18	B18B-PIDSS-1	16.0	20.0	2,400
20	B20B-PIDSS-1	18.0	22.0	2,080
22	B22B-PIDSS-1	20.0	24.0	1,920
24	B24B-PIDSS-1	22.0	26.0	1,760
26	B26B-PIDSS-1	24.0	28.0	1,600
30	B30B-PIDSS-1	28.0	32.0	1,440

Material and Finish

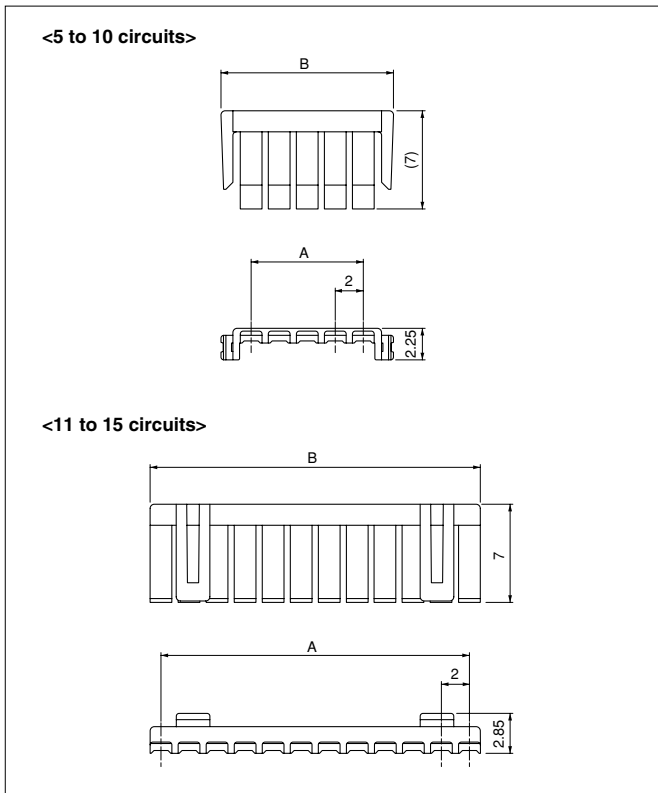
Post: Copper alloy, copper-undercoated, tin-plated (reflow treatment)
Wafer: Glass-filled PA 66, UL94V-0, natural

RoHS compliance This product displays (LF)(SN) on a label.

<For reference> As the color identification, the following alphabet shall be put in the underlined part.
For availability, delivery and minimum order quantity, contact JST.

ex. **B10B-PIDSS-1**
S...natural K...black

Retainer



Circuits	Model No.	Dimensions (mm)		Q'ty/ bag
		A	B	
5	PNIS-05V	8.0	12.3	1,000
6	PNIS-06V	10.0	14.3	1,000
7	PNIS-07V	12.0	16.3	1,000
8	PNIS-08V	14.0	18.3	1,000
9	PNIS-09V	16.0	20.3	1,000
10	PNIS-10V	18.0	22.3	1,000
11	PMS-11V-S	20.0	21.55	1,000
12	PMS-12V-S	22.0	23.55	1,000
13	PMS-13V-S	24.0	25.55	1,000
15	PMS-15V-S	28.0	29.55	1,000

Material

Glass-filled PA 66, UL94V-0, natural

RoHS compliance