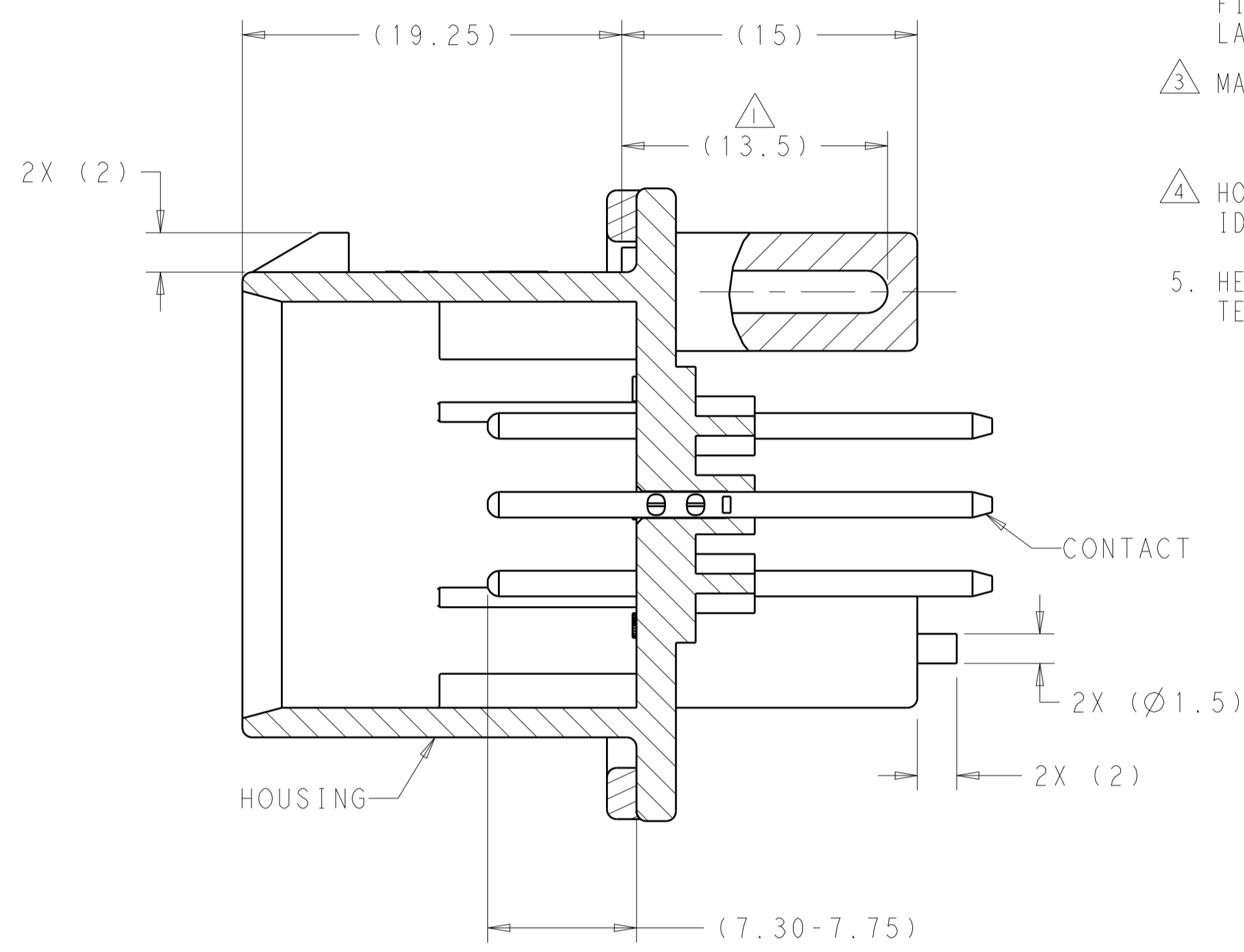
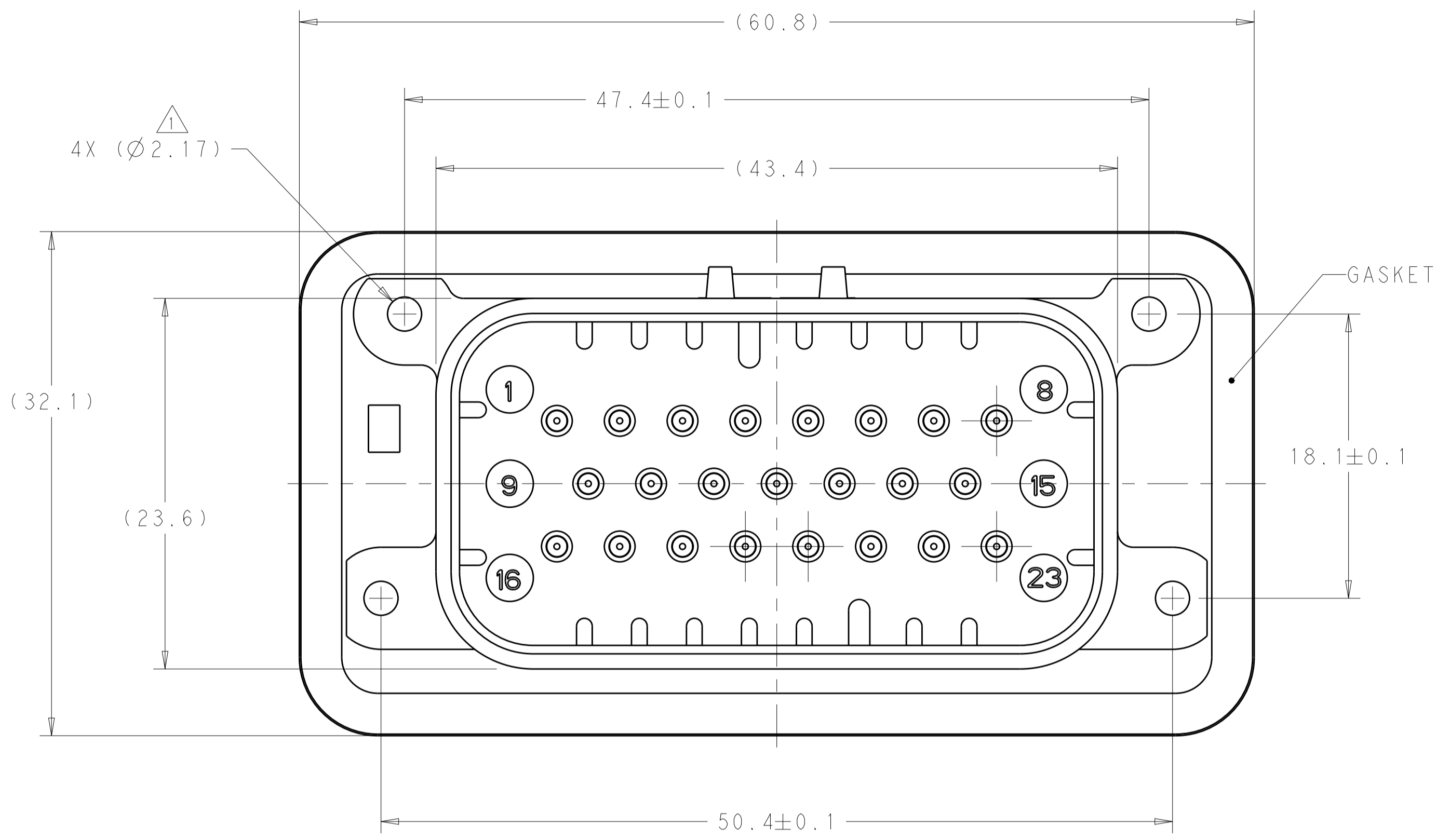
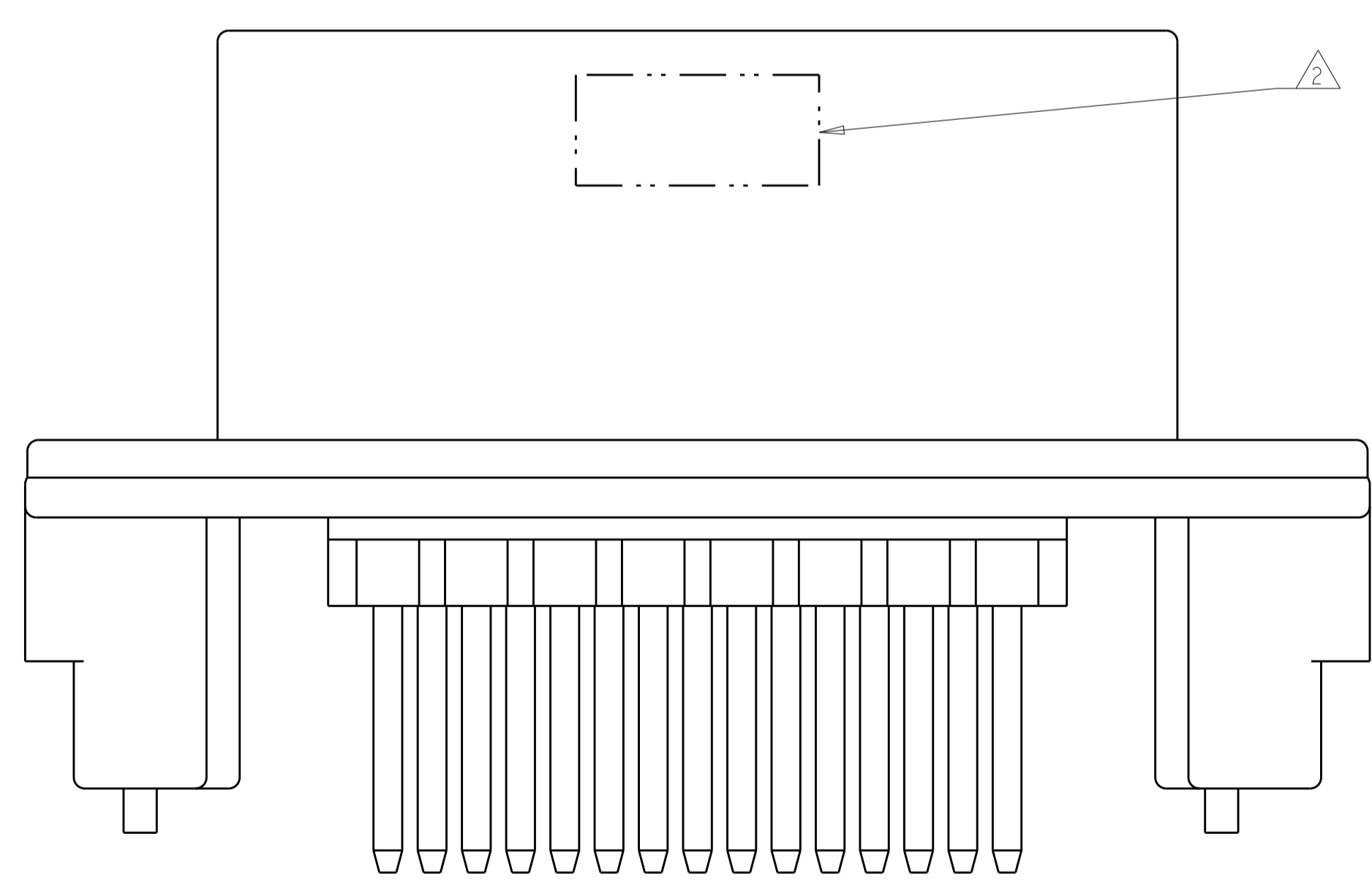


REVISIONS				
P.	LTN	DESCRIPTION	DATE	OWN APVD
C15		REVISED PER ECO-20-004256	25MAR2020	JM DS
-	-	-	-	-
-	-	-	-	-



SECTION A-A

- 1. SUGGESTED MOUNTING SCREW SIZE IS Ø2.50-3.00mm (Ø0.099 - 0.118 INCH) SELF TAPPING THREAD FORMING SCREW, SUCH AS DELTA PT, TO BE DRIVEN AT 0.6-0.8 N-m. THE CUSTOMER SHOULD TEST THE SCREW SIZE AND TYPE IN ORDER TO VERIFY THEIR SELECTION FOR THEIR APPLICATION.
- 2. DATE CODE IN THIS LOCATION USING 5 DIGIT CODE. FIRST 2 DIGITS = YEAR, SECOND 2 DIGITS = WEEK, LAST DIGIT = DAY.
- 3. MATERIALS: HEADER HOUSING - GLASS FILLED PBT
PINS - TIN OR GOLD PLATED BRASS
GASKET - SILICONE
- 4. HOUSING COLORS ARE MECHANICALLY KEYPED TO MATE ONLY WITH IDENTICALLY COLORED PLUG ASSEMBLIES.
- 5. HEADER MATES TO PLUG ASSEMBLY 770680 WHICH USES REELED TERMINAL 770520 OR LOOSE PIECE TERMINAL 770854

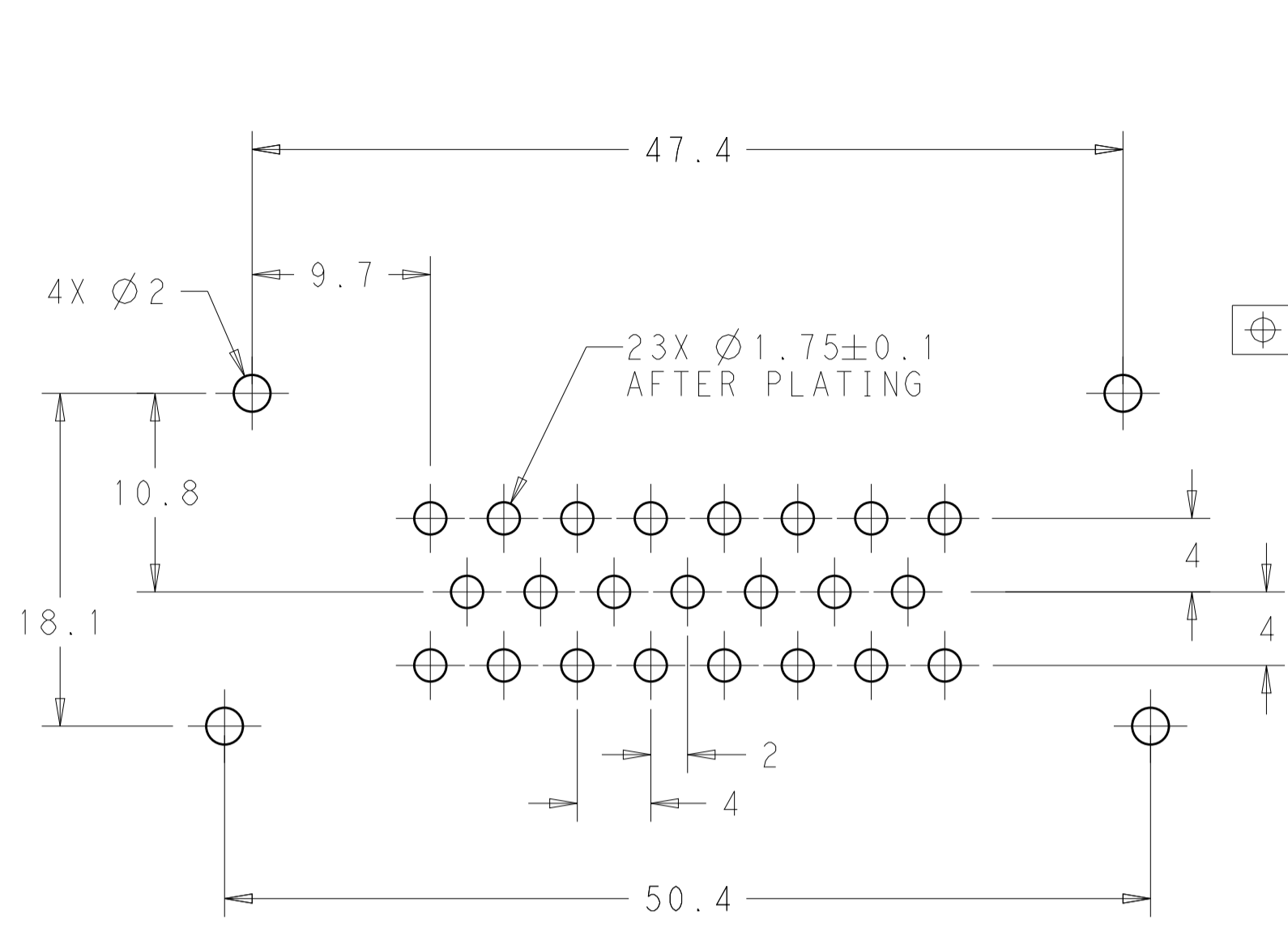


776228-1 & 1-776228-1 SHOWN

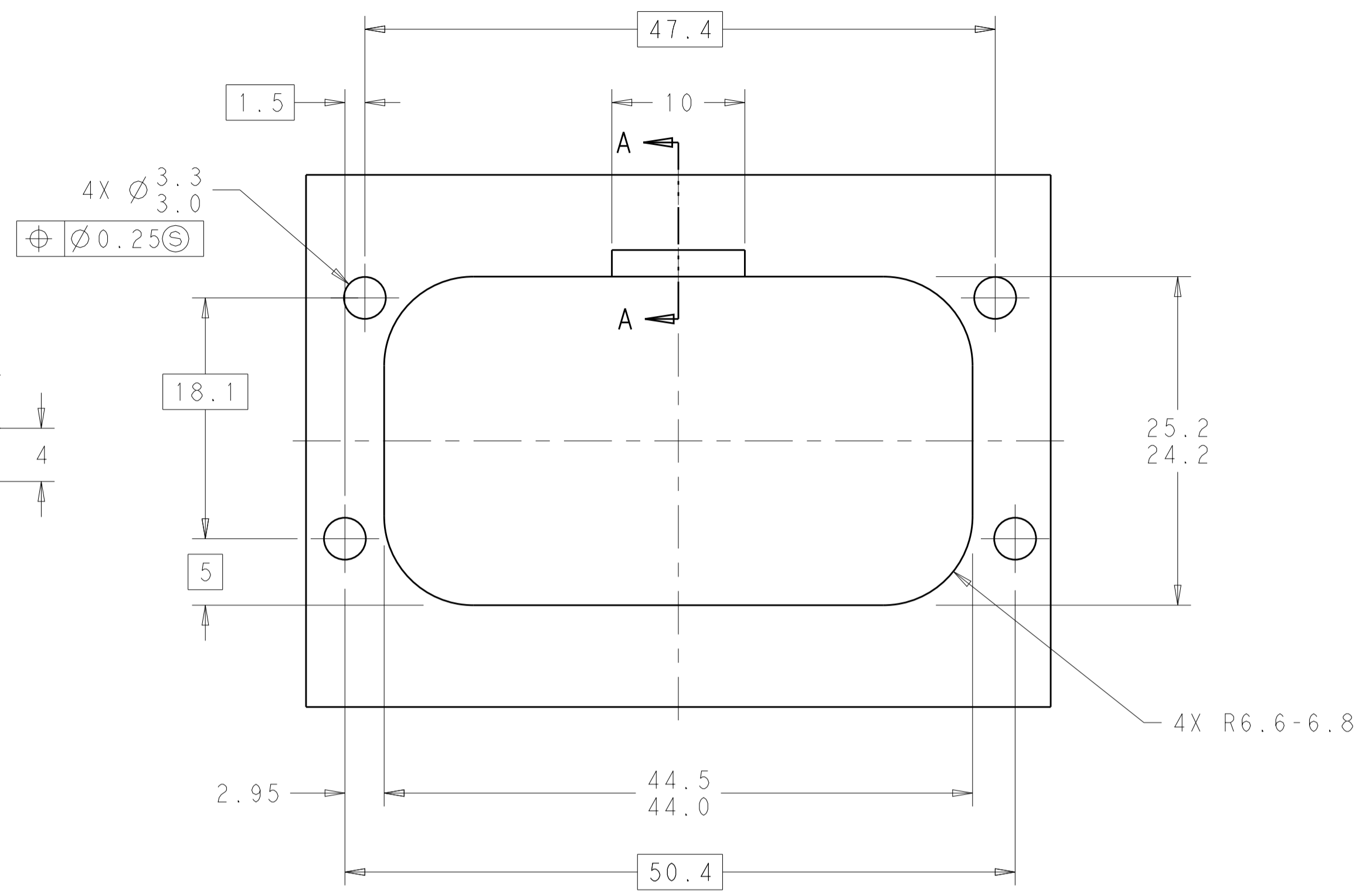
HEADER COLOR	PLATING	PART NUMBER
BLUE	GOLD	1-776228-5
GRAY	GOLD	1-776228-4
NATURAL	GOLD	1-776228-2
BLACK	GOLD	1-776228-1
BLUE	TIN	776228-5
GRAY	TIN	776228-4
NATURAL	TIN	776228-2
BLACK	TIN	776228-1

THIS DRAWING IS A CONTROLLED DOCUMENT.		OWN: D. STRAUSSER 05MAR2020	TE Connectivity		
DIMENSIONS: mm		CHK: D. STRAUSSER 22MAR2020			
TOLERANCES UNLESS OTHERWISE SPECIFIED:		APVD: D. STRAUSSER 27APR2020			
0 PLC ± 1 PLC ±0.2 2 PLC ± 3 PLC ± 4 PLC ± ANGLES ±		PRODUCT SPEC: 108-1329	NAME: ASSEMBLY, HEADER, 23 POSITION, VERTICAL, AMPSEAL WITH FLANGE SEAL		
MATERIAL: FINISH:		APPLICATION SPEC: 114-16016	SIZE: A1	CAGE CODE: 00779	DRAWING NO: 776228
WEIGHT: 22.68g		CUSTOMER DRAWING	SCALE: 4:1	SHEET: 1 OF 2	REV: C15

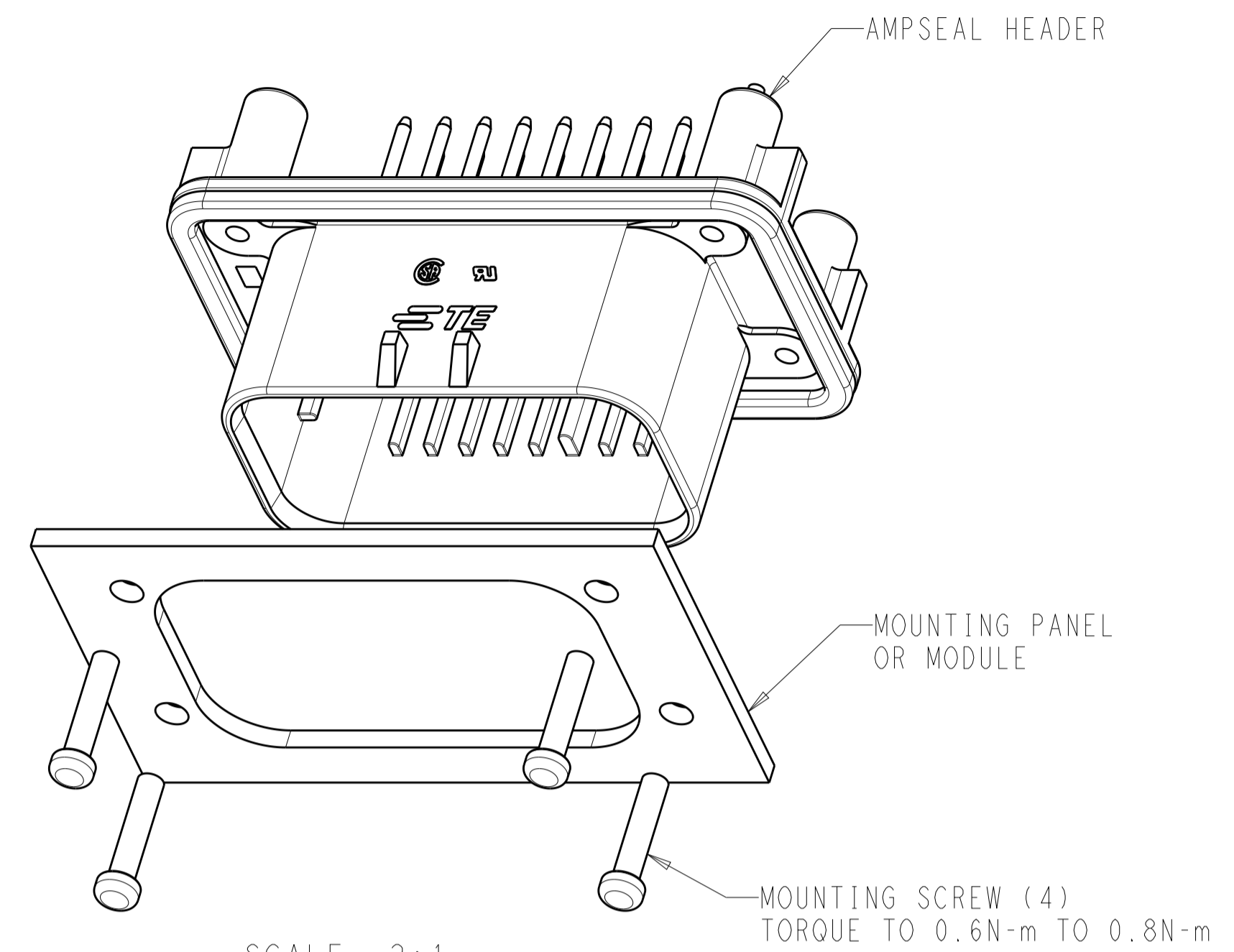
REVISIONS				
P.	LTN.	DESCRIPTION	DATE	APPV.
-	-	SEE SHEET 1	-	-



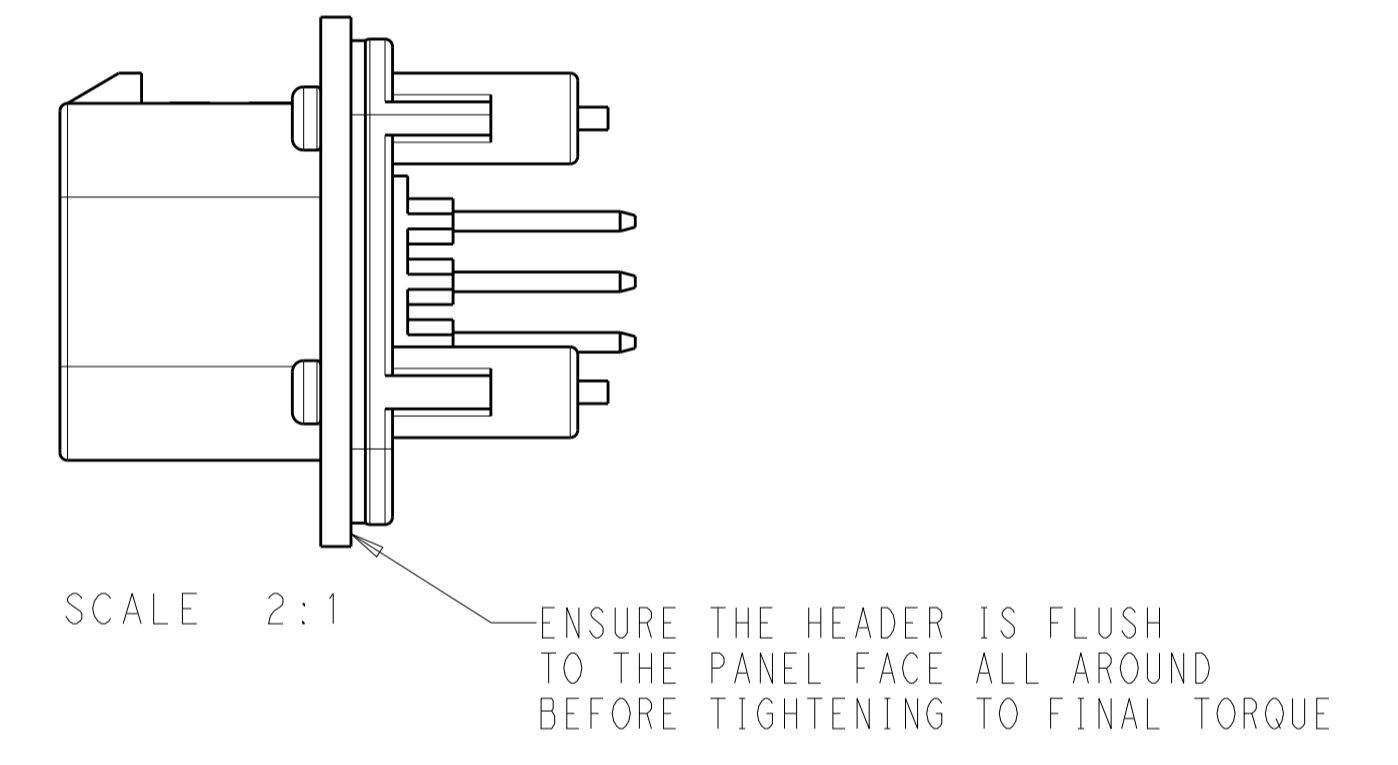
RECOMMENDED P.C. BOARD LAYOUT FOR 1.57 THICK P.C. BOARD



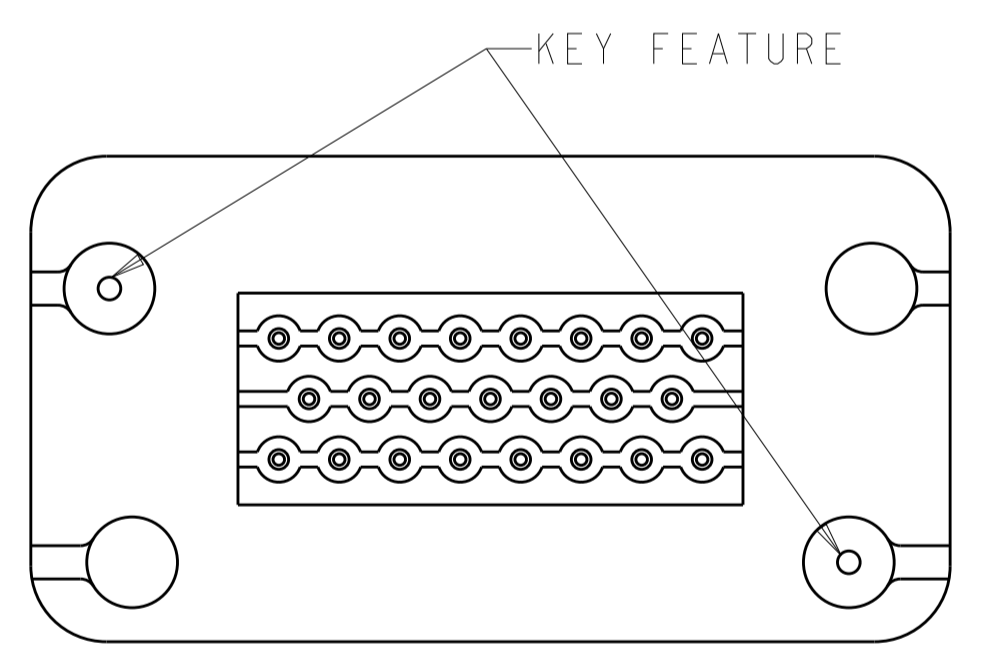
RECOMMENDED MOUNTING HOLE LAYOUT FOR 5.0 MAX THICK PANEL



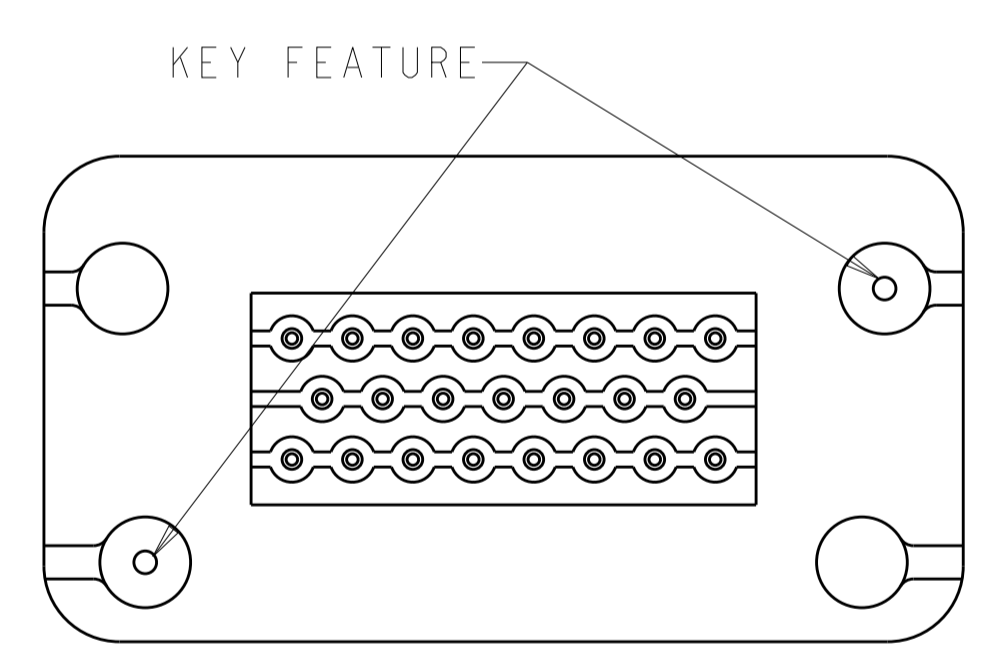
SCALE 2:1



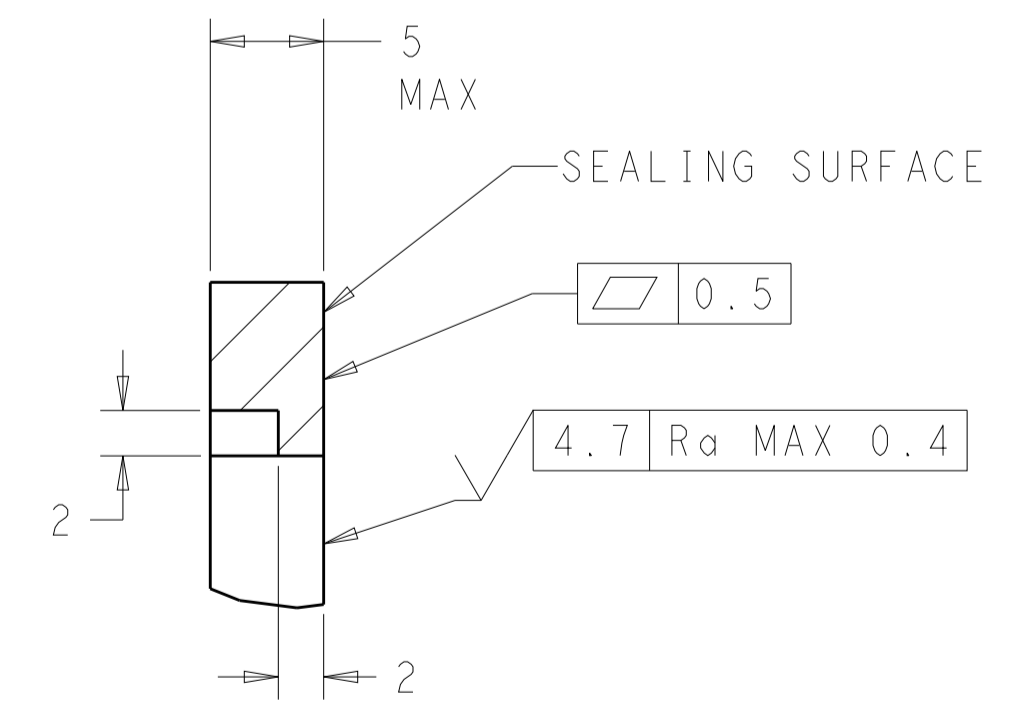
SCALE 2:1



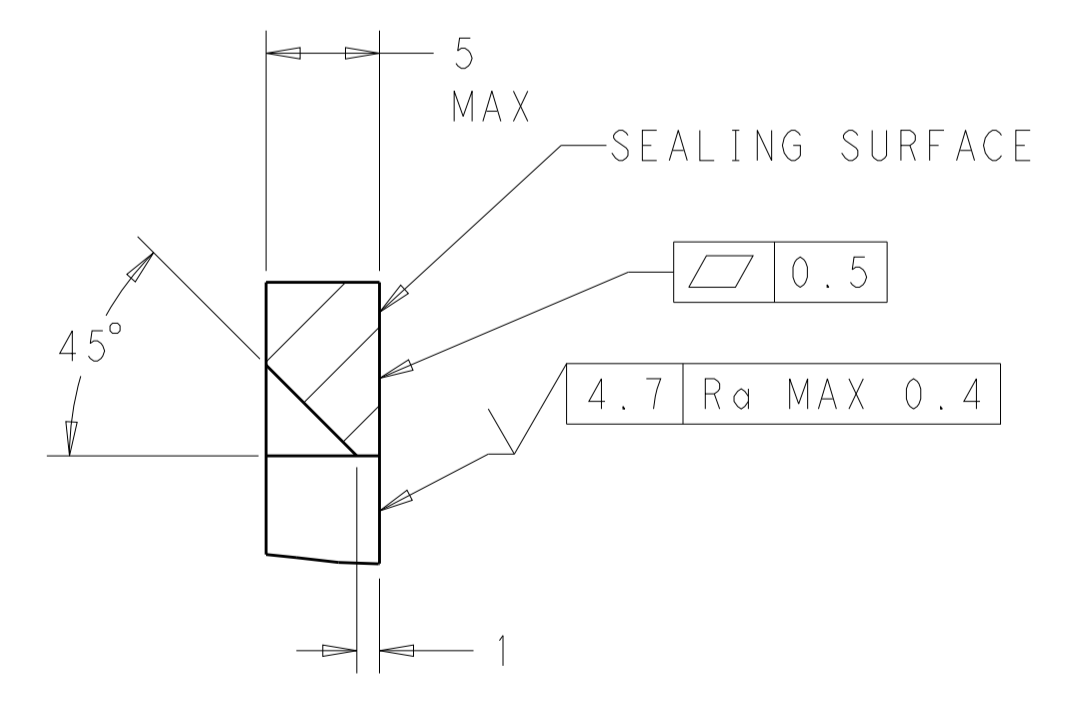
KEYING FOR 776228-1 AND 776228-5 SCALE 2:1



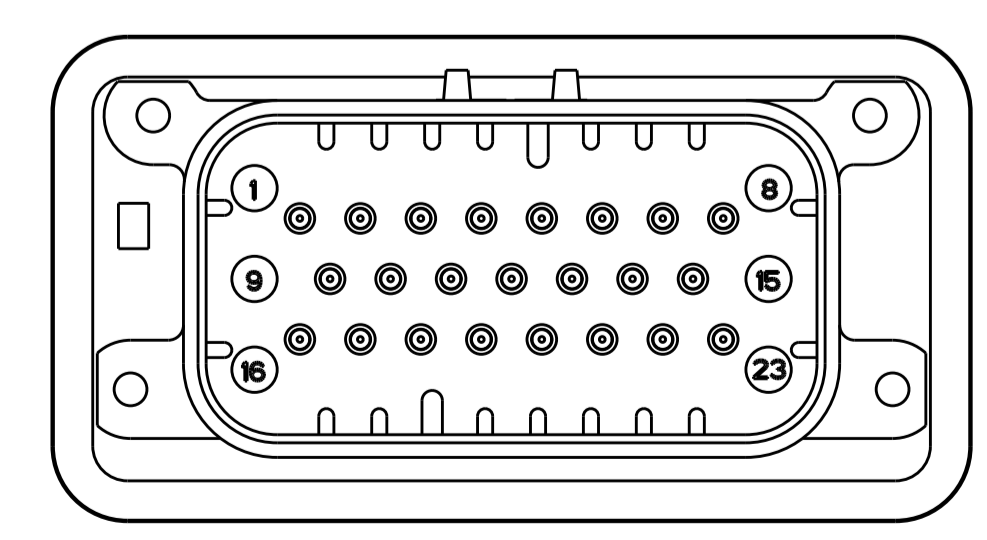
KEYING FOR 776228-2 AND 776228-4 SCALE 2:1



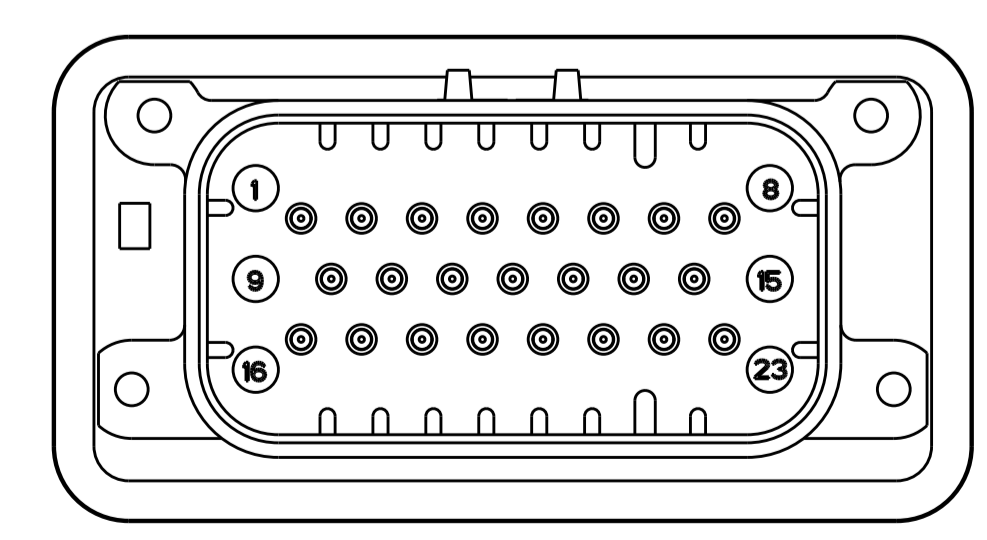
SECTION A-A
OPTIONAL CONSTRUCTION IF PANEL THICKNESS IS GREATER THAN 2.0



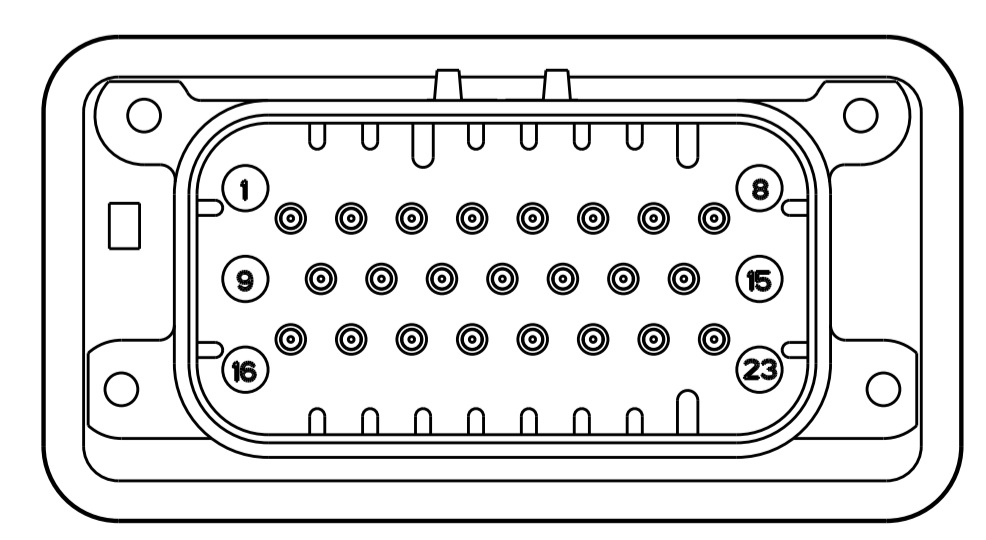
SECTION A-A
OPTIONAL CONSTRUCTION IF PANEL THICKNESS IS GREATER THAN 2.0



776228-2 & 1-776228-2
KEY LOCATION
SCALE 2:1



776228-4 & 1-776228-4
KEY LOCATION
SCALE 2:1



776228-5 & 1-776228-5
KEY LOCATION
SCALE 2:1

THIS DRAWING IS A CONTROLLED DOCUMENT.		OWN: D. STRAUSSER 05MAR2010	TE Connectivity	
DIMENSIONS: mm		CHK: D. STRAUSSER 22MAR2010		
TOLERANCES UNLESS OTHERWISE SPECIFIED:		APPV: D. STRAUSSER 27APR2010	NAME: ASSEMBLY, HEADER, 23 POSITION, VERTICAL, AMPSEAL WITH FLANGE SEAL	
0 PLC ±0.2		PRODUCT SPEC: 108-1329	SIZE: CAGE CODE DRAWING NO: 114-16016	
1 PLC ±0.2		APPLICATION SPEC: 114-16016	WEIGHT: 22.68g	
2 PLC ±0.2		APPLICABLE SPEC: 114-16016	CUSTOMER DRAWING	
3 PLC ±0.2		WEIGHT: 22.68g	SCALE: 2:1	
4 PLC ±0.2		FINISH: 4.7 Ra MAX 0.4	SHEET 2 OF 2	
ANGLES ±0.2		FINISH: 4.7 Ra MAX 0.4	REV C1.5	