

DESCRIPTION

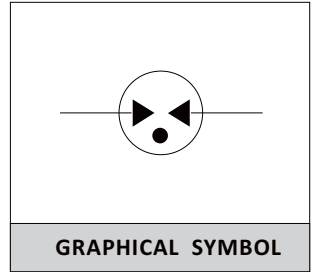
The SG5042B150 GDT offer high surge ratings in a miniature package. It's designed for surface mounting on PCB with size 5.0x5.0x4.2mm. Special design features provide high levels of protection against fast rising transients in the 100V/us to 1KV/us range usually caused by lightning disturbances. Low insertion loss is perfectly suited to broadband and equipment applications. The capacitance does not vary with voltage, and will not cause operational problems with ADSL2+, where capacitance variation across Tip and Ring is undesirable. For AC Power Cross of long duration, over current protection is recommended.

FEATURES

- > RoHs compliant and lead-free.
- > High insulation resistance.
- > Max Surge current capacity 5000A 8/20us.
- > Low capacitance .
- > Surface Mounted Gas Arrester.
- > Safety certification: UL: E505857.

APPLICATIONS

- > Communication equipment.
- > Repeaters, Modems.
- > Telephone Interface, Line cards.



PART NUMBER CODE

S G 5042 B 150

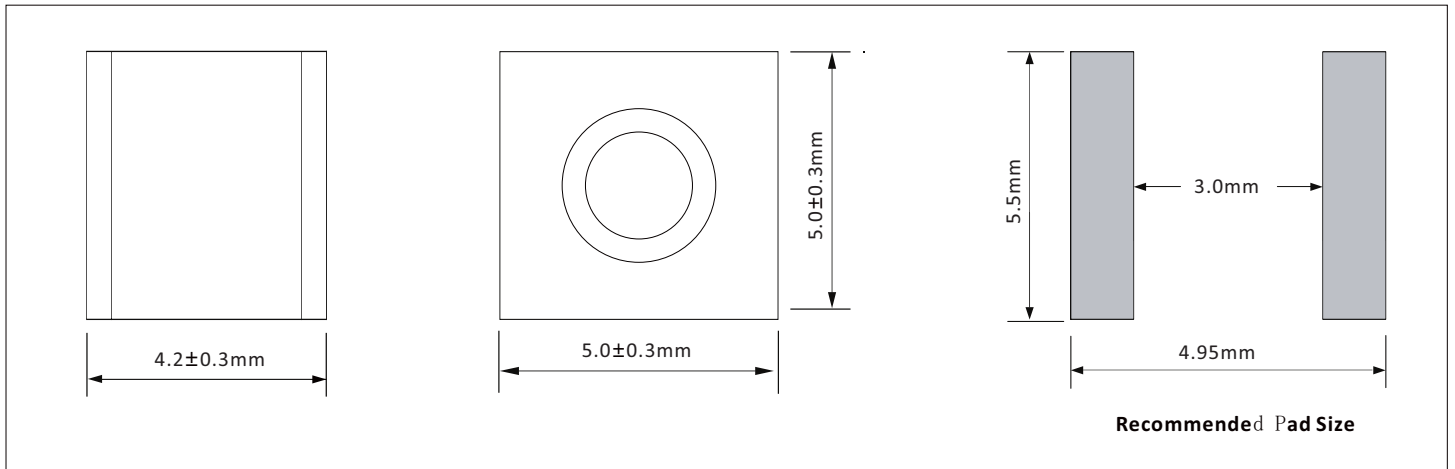


ELECTRICAL CHARACTERISTIC

Part Number	DC Breakdown Voltage	Tolerance of Vs	Impulse Spark-over Voltage	Impulse Discharge Current	Insulation Resistance		C@1MHZ Max.
	100V/s				Min.	DC	
SG5042B150	150V	±20%	800V	5000A	1Gohm	100V	1.0pF



PRODUCT DIMENSIONS



ENVIRONMENTAL RELIABILITY CHARACTERISTICS

Testing Items	Technical Standards
High Temperature Storage Test	Temperature: 85°C ; Time: 2H
Low Temperature Storage Test	Temperature: -40°C ; Time: 2H
Vibration	Frequency: 10-500Hz; Amplitude: 0.15mm; Time: 45min
Resistance of Soldering Heat	Temperature: 260°C ; Time of dip soldering: 10s, 1time

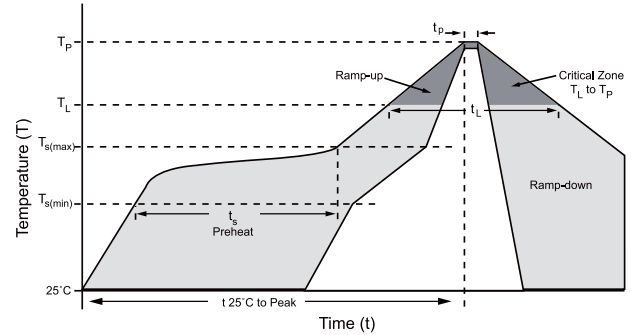
SOLDERABILITY TEST

Solderability	Solder Pot Temperature	$245 \pm 5^{\circ}\text{C}$
	Solder Dwell Time	4~6 seconds



REFLOW PROFILE

Reflow Condition		Lead-free assembly
Pre Heat	Temperature Min ($T_{s(min)}$)	150°C
	Temperature Max ($T_{s(max)}$)	200°C
	Time (min to max) (t_s)	60–180 secs
Average ramp up rate (Liquidus Temp (T_L) to peak)		3°C/second max
$T_{s(max)}$ to T_L - Ramp-up Rate		3°C/second max
Reflow	Temperature (T_L) (Liquidus)	217°C
	Time (min to max) (t_s)	60–150 seconds
Peak Temperature (T_P)		260°C
Time within 5°C of actual peak Temperature (t_p)		10-30 seconds
Ramp-down Rate		6°C/second max
Time 25°C to peak Temperature (T_P)		8 minutes Max.
Do not exceed		260°C



ORDERING INFORMATION

Part Number	SIZE(mm)	QTY/Reel	Reel Size
SG5042B150	5.0x5.0x4.2	1000PCS	13"



CONTACT US

Headquarters

No.3387 Shendu Road Pujiang I&E Park Minhang Shanghai
China

Hotline

400-021-5756

Web

[Http://www.semiware.com](http://www.semiware.com)

By Telephone

General: 86-21-3463-7172

Sales: 86-21-3463-7345

Technical Support: 86-021-3463-7654

By Email

General: sales08@semiware.com

Sales: sales33@semiware.com

Technical Support: fae01@semiware.com

By Fax

General: 86-21-3965-0654

Sales: 86-21-3463-7458

COPYRIGHT ©Semiware 2017 - This literature is subject to all applicable copyright laws and is not for resale in any manner.

SPECIFICATIONS: Semiware reserves the right to change the electrical and or mechanical characteristics described herein without notice.

DESIGN CHANGES : Semiware reserves the right to discontinue product lines without notice and that the final judgement concerning selection and specifications is the buyer's and that in furnishing engineering and technical assistance.Semiware assumes no responsibility with respect to the selection or specifications of such products.Semiware makes no warranty,representation or guarantee regarding the suitability of its products for any particular purpose, nor does Semiware assume any liability arising out of the application or use of any product or circuit and specifically disclaims any and all liability without limitation special,consequential or incidental damages.

LIFE SUPPORT POLICY: Semiware products are not authorized for use in life support systems without written consent from the factory

