

CCM03 MK3 Series

Features

- **SIM/SAM card acceptance**
- **Hinged and fixed covers**
- **Compatible with pick and place and lead free soldering**

Typical Applications

- **Handheld products**
- **Identification**
- **POS**
- **Automotive**



Mechanical

Number of Contacts	6 or 8
Mechanical life, hinged cover	10,000 cycles min
Mechanical life, fixed cover	50,000 cycles
Card insertion force	Hinged cover: 1N max Fixed cover: 3N max
Card extraction force	Hinged cover: 1N max Fixed cover: 0,80N min / 3N max
Contact force	0,25N min / 0,50N max
Slide locking force	2N min / 6N max 1,8N max. for complete depression
Vibration Frequency	10 to 500 Hz. Acceleration 50m/s ² Duration 6 hours - amplitude 0,35 mm
Max electrical discontinuity	1µs
Shock	Peak value 500 m/s ² – Duration 11 ms 3 shocks in each direction of each axis

Contact Electrical Data

Insulation resistance	1,000 MΩ min
Resistance	100 mΩ max
Current rating	10 µA min / 1 A max
Dielectric strength	750 Vrms min

Switch Electrical Data

Card detection switch	Normally open
Contact resistance	100 mΩ max
Dielectric strength	250 Vrms min
Current rating	1 mA min / 10m A max
Maximum power	0.2 VA

Environment Data

Operating temperature	-40°C to +85°C
Damp heat	IEC 512 test number 11c (10 days)
Salt mist	IEC 512 test number 11f (96 hours)
RoHS compliant	

Soldering Process

Compatible with lead free SMT soldering process

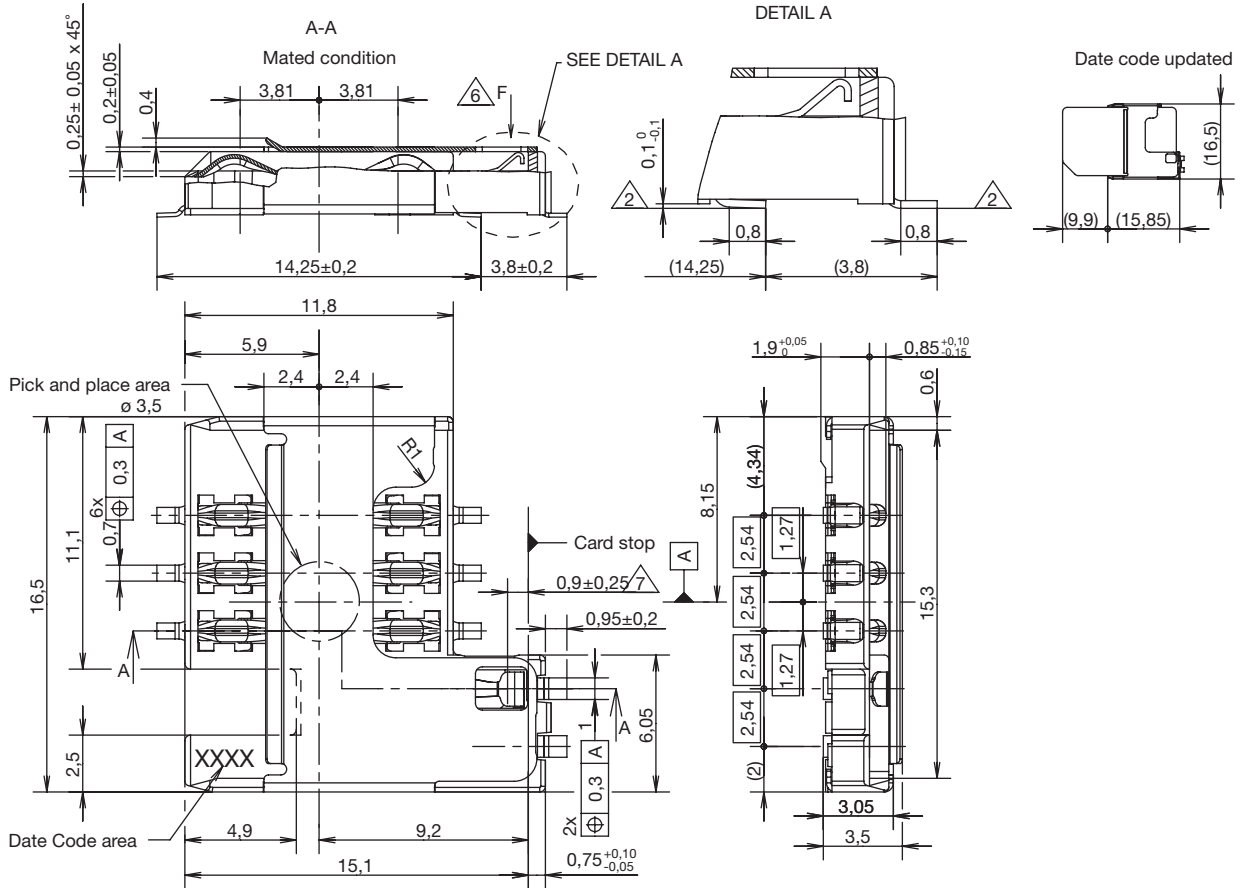


Designation	Contact Plating	Cover	# of Contacts	PCB Version	Card Presence Switch	Operating Life	Total Height (mm)	Dim. (mm)	Packaging
CCM03-3754LFT	inlay	fixed	6		with	10,000	3,5	16,5 x 18,05	reels of 1,000 pcs
CCM03-3760LFT	inlay	fixed	6		without	10,000	3,45	16,5 x 15,85	reels of 1,000 pcs
CCM03-3764LFT	inlay	none	6		with	10,000	2,9	16,5 x 15,85	reels of 1,000 pcs

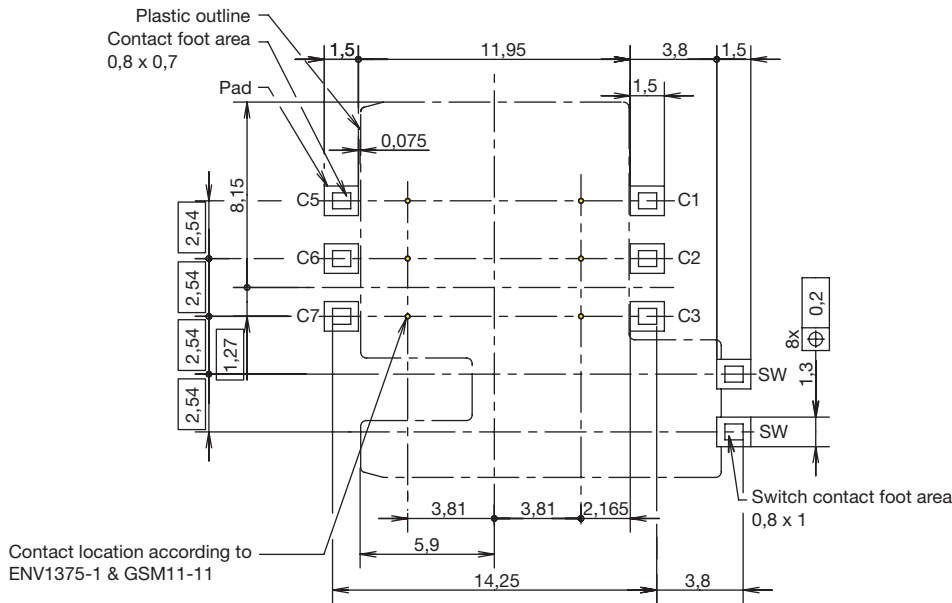
* Can go through reflow upside down

CCM03 MK3 Series

CCM03-3754 LFT



RECOMMENDED PC BOARD LAYOUT
(Component side)



SIM/SAM



6 Feb 19

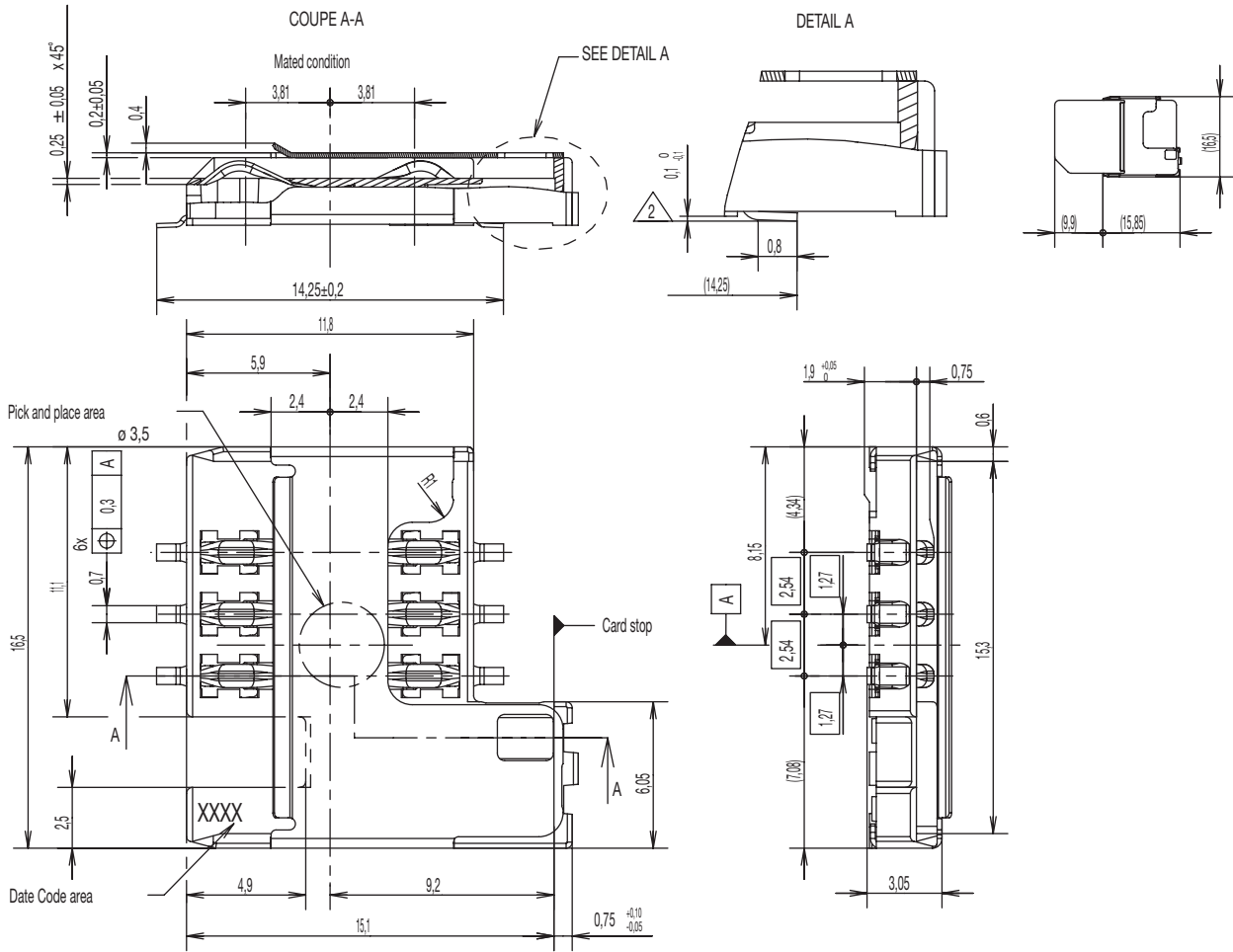


Dimensions are shown in mm
Specifications and dimensions subject to change

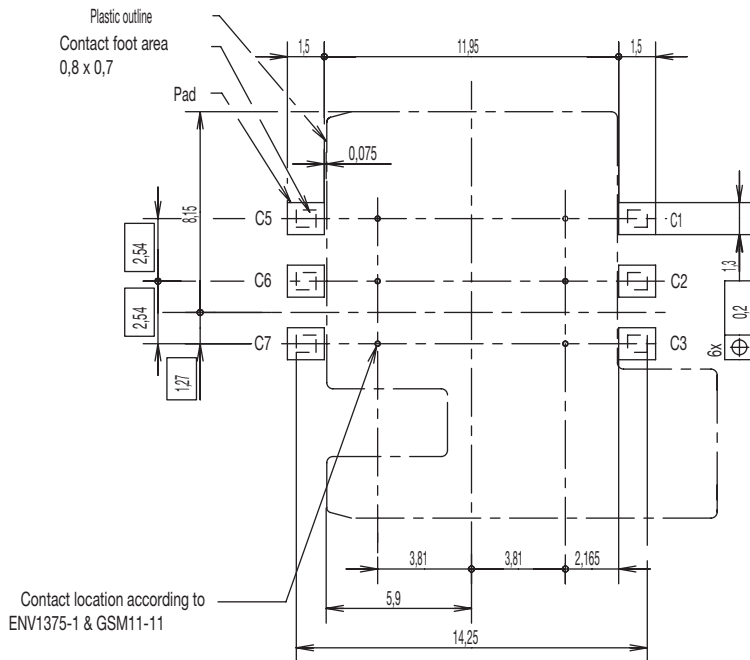
www.ckwitches.com

CCM03 MK3 Series

CCM03-3760 LFT



RECOMMENDED PC BOARD LAYOUT
(Component side)



Contact location according to
ENV1375-1 & GSM11-11



Dimensions are shown in mm
Specifications and dimensions subject to change

www.ckswitches.com

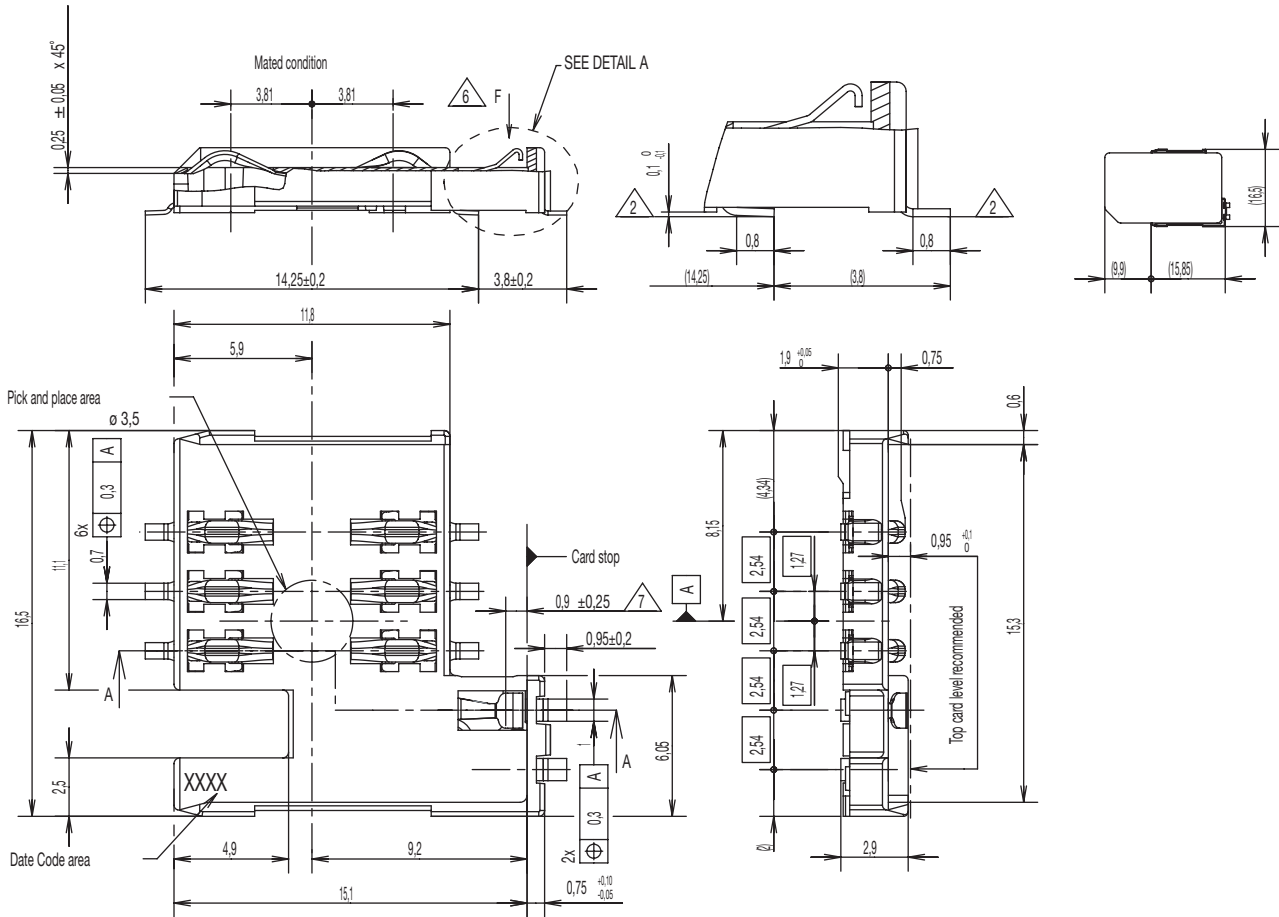
SIM/SAM



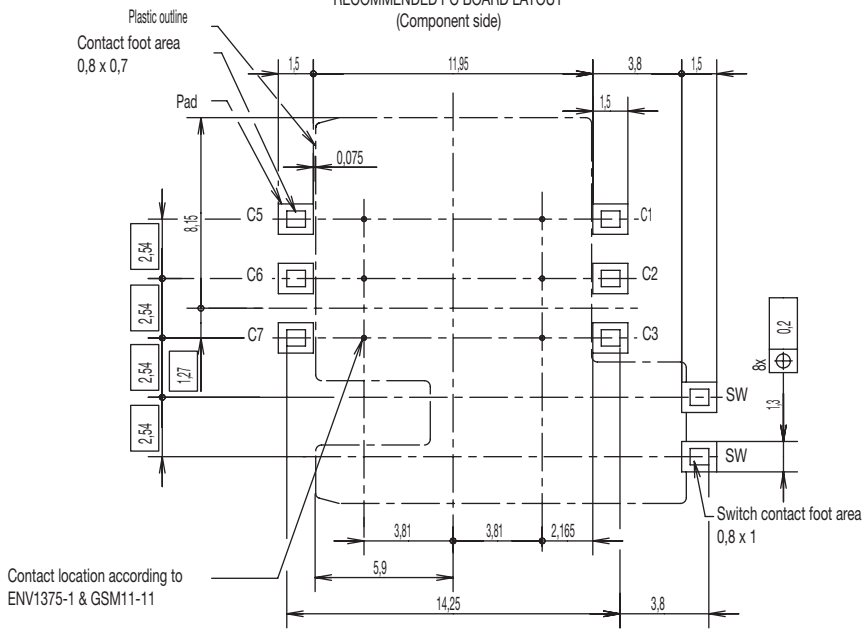
6 Feb 19

CCM03 MK3 Series

CCM03-3764 LFT



RECOMMENDED PC BOARD LAYOUT
(Component side)



SIM/SAM



6 Feb 19



Dimensions are shown in mm
Specifications and dimensions subject to change

www.ckswitches.com