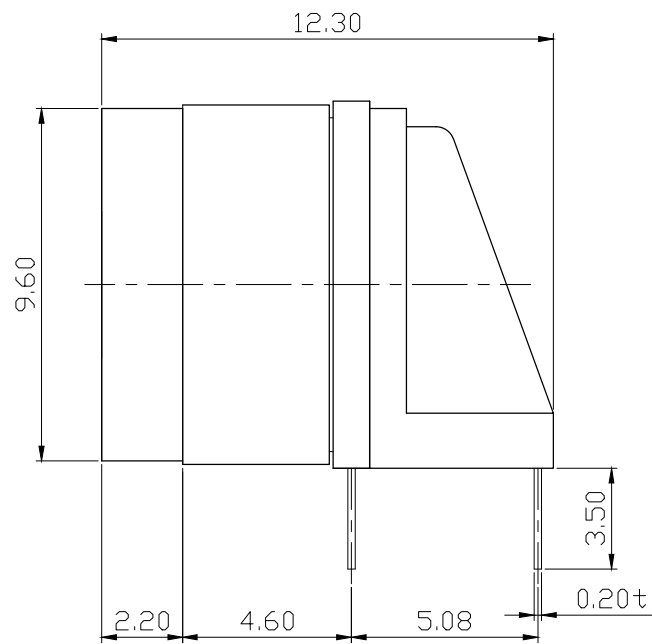
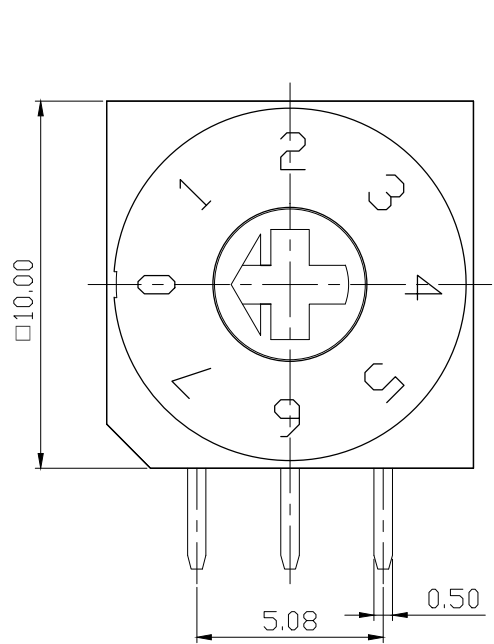
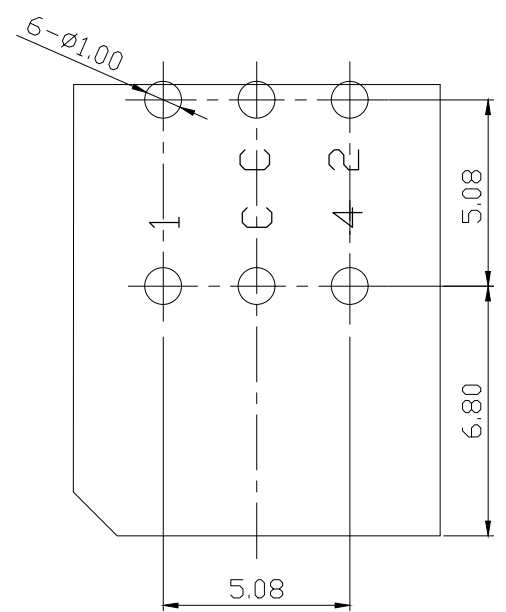


MARK	DATE	REMARKS
△		
△		



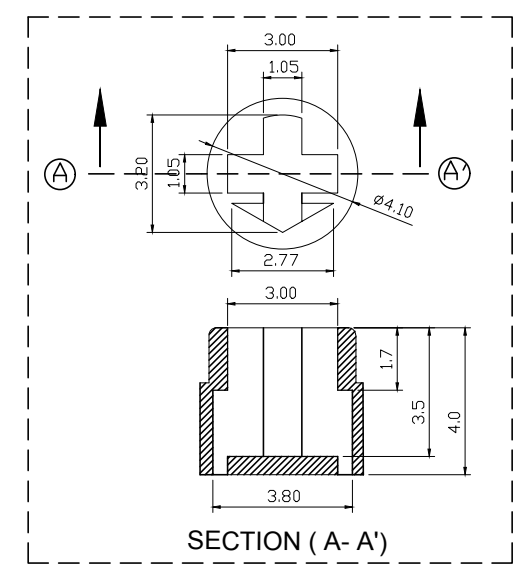
SPECIFICATION

- Rating : 150mA, 42V DC (Switching)
200mA, 42V DC (None-Switching)
- Contact Resistance : 80mΩ Max
- Insulation Resistance : 100MΩ Min
- Operating Force : 700gf Max
- Life cycle : 10,000 steps



P.C.B DIMENSION (TOP VIEW)

		Real Coded				
		C	1	2	4	8
8 P o s i t i o n	0	●				
	1	●	●			
	2	●		●		
	3	●	●	●		
	4	●			●	
	5	●	●		●	
	6	●		●	●	
	7	●	●	●	●	



APPD	CHKD	D'SGD	TITLE.	ROTARY DIP SWITCH	
K.L LEE	J.P ROH	Y.N JEON 2018.07.19	MODEL NO.	TER-08H	REV 01
SUNGMUN ELECTRONICS CO., LTD.					