



東莞市康柏電子科技有限公司

DONGGUAN KANGBO ELECTRONIC TECHNOLOGY CO.,LTD.



APPROVAL SHEET

承認書

Product Name	Quartz Crystal 石英晶体谐振器
P/N	KC-F-32.000M-9-1010-2070-40
Customer's Name	
Customer's P/N	
Lot NO.	
Specification Sheet #	SKC-0529
Date	2020-7-3
Generation	朱梦静
Approval	李坡
Customer Confirmation	

TEL:0086-769-81876691

FAX:0086-769-81876690

E-mail:wll@dgkbdz.com

HTTP: <http://www.dgkbdz.cn/>

南京中电熊猫晶体科技有限公司
Nanjing CEC Panda Crystal Tech Corp.

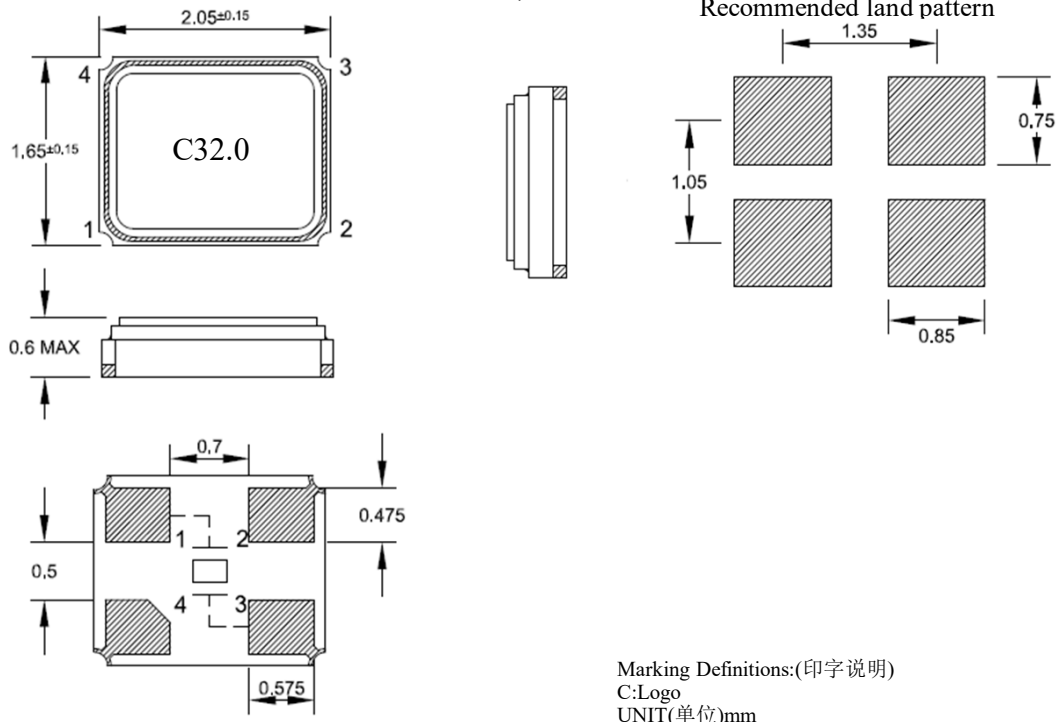
Specification of Quartz Crystal
石英晶体谐振器规格书

NO: SKC-0529

2.0×1.6 SMD

DATE: 2020/07/03

■ 外形及印字(DIMENSION AND MARKING)



■ 电气参数(ELECTRICAL SPECIFICATION)

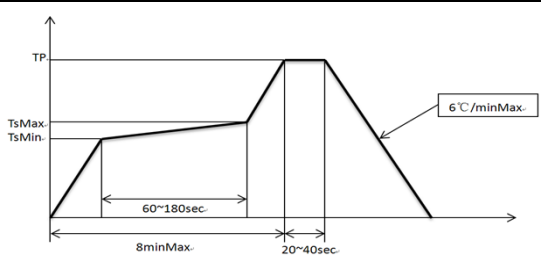
P/N	料号	KC-F-32.000M-9-1010-2070-40
Nominal Frequency	标称频率	32.000000 MHz
Mode of Oscillation	振荡模式	Fundamental
Operating Temperature Range	工作温度范围	-20°C ~ +70°C
Storage Temperature Range	保存温度范围	-55°C ~ +125°C
Test Set	测试系统	250B PI-Network
Drive Level	激励电平	100 uW Max.
Loading Capacitance	负载电容	9 pF
Frequency Tolerance	调整频差	±10 ppm Max.(AT 25°C)
Equivalent Resistance	等效阻抗	40 ohms Max.
Temperature Drift	温度频差	±10 ppm Max./-20°C to +70°C
Shunt Capacitance	静态电容	3.0 pF Max.
Motional Capacitance	动态电容	/
Aging	老化率/年	±3 ppm/ year Max.
Insulation Resistance	绝缘阻抗	500 MΩ Min / 100 V±15 V D.C.
Other	其它	Tape & Reel
Note		

南京中电熊猫晶体科技有限公司 Nanjing CEC Panda Crystal Tech Corp.	Specification of Quartz Crystal 石英晶体谐振器规格书	NO: SKC-0529
	2.0×1.6 SMD	DATE: 2020/07/03

■ 可靠性测试条件(RELIABILITY TEST)

序号 NO	项目 ITEM	条件 CONDITIONS	合格标准 BASIS OF VERDICT
1	高温贮存 HIGH TEMPERATURE STORAGE	工作温度 : Temperature:85℃ 不带电 , 试验结束后24±2小时测试 时间 Times: 1000 hours The test was conducted 24 ±2 hours at the end of the test(no charge)	$\Delta FL = \pm 10$ ppm MAX $\Delta R_s =$ 平均阻抗*20%或5 Ω MAX (两者取大值) $\Delta FL \leq \pm 10$ ppm $\Delta R_s \leq 5 \Omega$ or $\pm 20\%$ (Whichever is Larger)
2	恒定湿热 CONSTANT HUMIDITY	温度: 85℃±2℃; 湿度85%; 时间: 1000小时 试验结束后24±2小时进行测试 Temperature: 85℃±2℃; Humidity: 85%; Time: 1000 hours The test was conducted 24 ±2 hours at the end of the test	$\Delta FL = \pm 10$ ppm MAX $\Delta R_s =$ 平均阻抗*20%或5 Ω MAX (两者取大值) $\Delta FL \leq \pm 10$ ppm $\Delta R_s \leq 5 \Omega$ or $\pm 20\%$ (Whichever is Larger)
3	低温贮存 LOW-TEMPERATURE STORAGE	温度 Temperature: -40℃ 时间 Time: 1000 hours 试验结束后24±2小时进行测试 The test was conducted 24 ±2 hours at the end of the test	$\Delta FL = \pm 10$ ppm MAX $\Delta R_s =$ 平均阻抗*20%或5 Ω MAX (两者取大值) $\Delta FL \leq \pm 10$ ppm $\Delta R_s \leq 5 \Omega$ or $\pm 20\%$ (Whichever is Larger)
4	温度循环 TEMPERATURE CYCLING	-55℃±2℃ (5 min) ^{5 min} →125℃±2℃ (5 min); 循环1000次 -55℃±2℃ (5 min) ^{5 min} →125℃±2℃ (5 min); For 1000 cycles 最大转换时间 Maximum conversion time: 5 min 高低温保存时间 High/Low temperature holding time: 30 min	$\Delta FL = \pm 10$ ppm MAX $\Delta R_s =$ 平均阻抗*20%或5 Ω MAX (两者取大值) $\Delta FL \leq \pm 10$ ppm $\Delta R_s \leq 5 \Omega$ or $\pm 20\%$ (Whichever is Larger)
5	跌落 DROP	1m高处自由跌落到硬木板上, 3次 Height: 1m; 3 times	$\Delta FL = \pm 5$ ppm MAX $\Delta R_s =$ 平均阻抗*20%或5 Ω MAX (两者取大值) $\Delta FL \leq \pm 10$ ppm $\Delta R_s \leq 5 \Omega$ or $\pm 20\%$ (Whichever is Larger)
6	机械冲击 MECHANICAL SHOCK	峰值 Peak: 100g's 持续时间 Duration: 6ms 波形 Waveform: 半正弦波 Half-sine 变化速度 Velocity Change: 12.3 ft / sec 振动方向 Direction: +X, -X, +Y, -Y, +Z, -Z 每个方向各3次 3 times/direction 最后进行电性能测试 Conduct electrical performance tests	$\Delta FL = \pm 5$ ppm MAX $\Delta R_s =$ 平均阻抗*20%或5 Ω MAX (两者取大值) $\Delta FL \leq \pm 10$ ppm $\Delta R_s \leq 5 \Omega$ or $\pm 20\%$ (Whichever is Larger)

南京中电熊猫晶体科技有限公司 Nanjing CEC Panda Crystal Tech Corp.	Specification of Quartz Crystal 石英晶体谐振器规格书	NO: SKC-0529
	2.0×1.6 SMD	DATE: 2020/07/03

序号 NO	项目 ITEM	条件 CONDITIONS	合格标准 BASIS OF VERDICT
7	振动 VIBRATION	频率 Frequency: 10~2000Hz: 加速度幅度 Acceleration: 5g/s 振动方向 Direction: X, Y, Z 振动时间 Duration: 每个方向20分钟 20min/direction. 循环次数 Times: 12次	$\Delta FL = \pm 5$ ppm MAX $\Delta R_s =$ 平均阻抗*20%或5 Ω MAX (两者取大值) $\Delta FL \leq \pm 10$ ppm $\Delta R_s \leq 5 \Omega$ or $\pm 20\%$ (Whichever is Larger)
8	耐焊接热 WELDING HEAT RESISTANT	 <p>TP: 260°C Max TsMax: 200°C TsMin: 150°C CYCLE TIME周期: 2次</p>	$\Delta FL = \pm 5$ ppm MAX $\Delta R_s =$ 平均阻抗*20%或5 Ω MAX (两者取大值) $\Delta FL \leq \pm 10$ ppm $\Delta R_s \leq 5 \Omega$ or $\pm 20\%$ (Whichever is Larger)
9	可焊性 SOLDER	试验前预处理: 155°C 高温贮存4小时 温度: 260°C \pm 5°C 的锡槽中浸渍 Pretreatment before test: 155°C high-temperature store 4 hours Temperature: 260°C \pm 5°C, immersion	浸锡率 $\geq 95\%$ Solder Coverage $\geq 95\%$
10	引出端强度 TERMINAL STRENGTH	1.8kg的切向推力 (60秒) 以及1.8kg的垂直拉力 (60秒) 1.8kg, of the tangential thrust (60 s) 1.8kg of the perpendicular tension (60 s)	电极不断裂 No Rupture Observed

南京中电熊猫晶体科技有限公司
Nanjing CEC Panda Crystal Tech Corp.

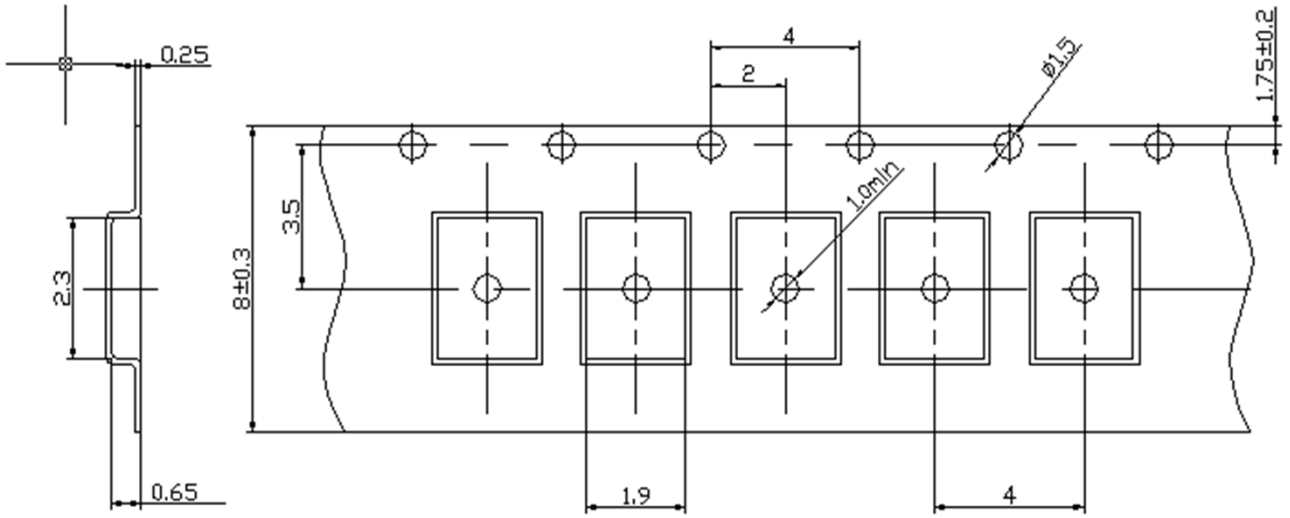
Specification of Quartz Crystal
石英晶体谐振器规格书

NO: SKC-0529

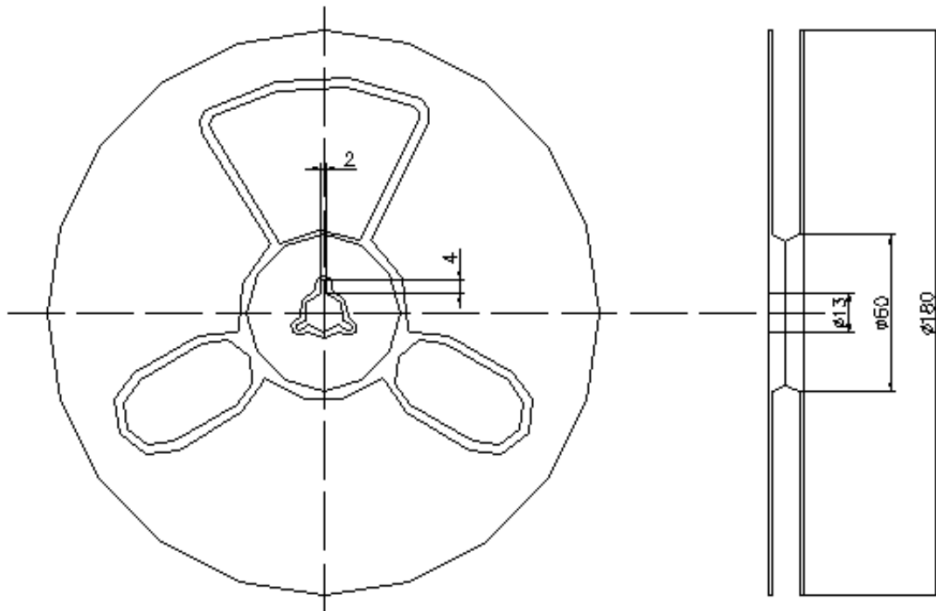
2.0×1.6 SMD

DATE: 2020/07/03

■ 编带(TAPE)



■ 轮(REEL)



南京中电熊猫晶体科技有限公司
Nanjing CEC Panda Crystal Tech Corp.

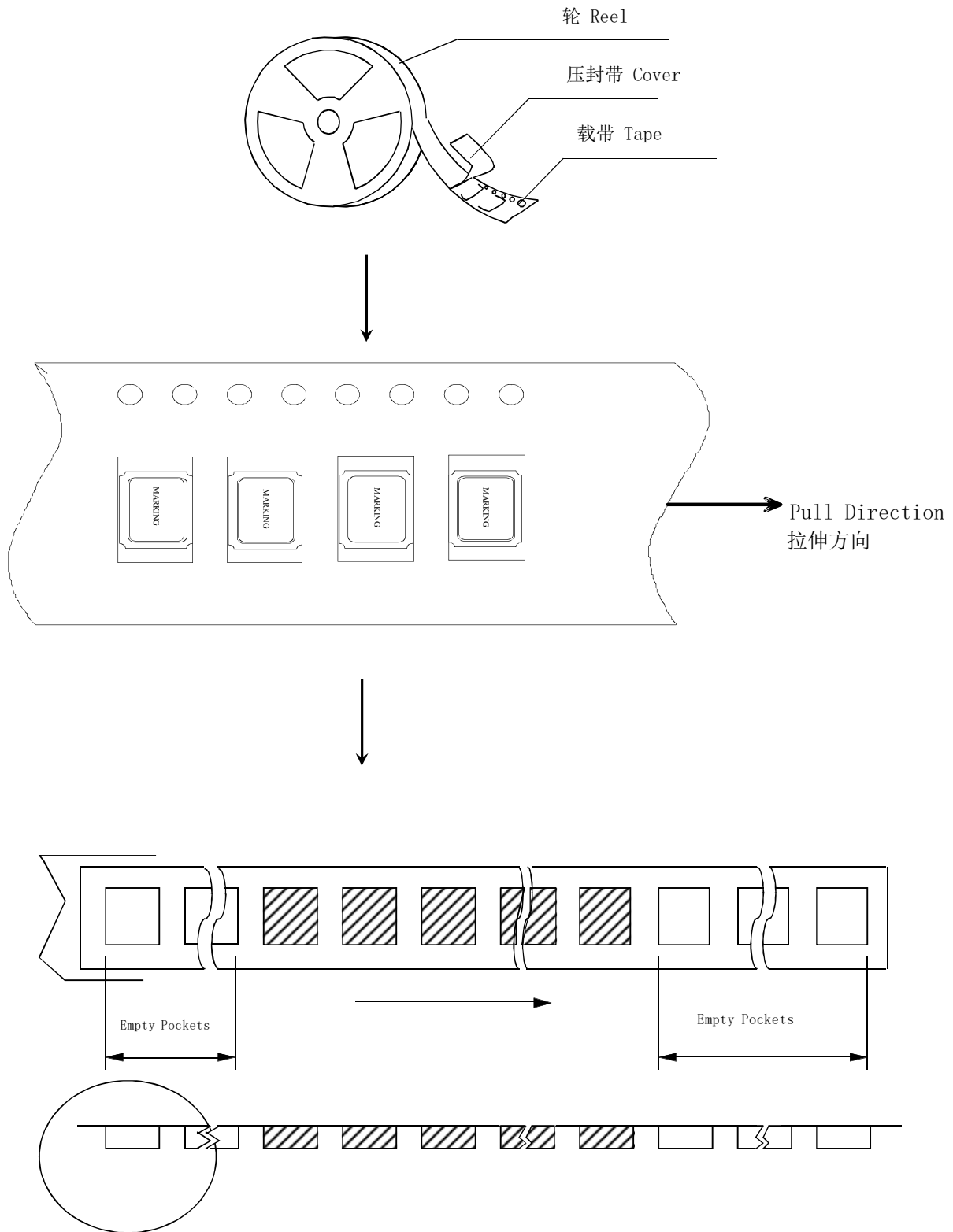
Specification of Quartz Crystal
石英晶体谐振器规格书

NO: SKC-0529

2.0×1.6 SMD

DATE: 2020/07/03

■ 编带方式(TAPING METHOD)



南京中电熊猫晶体科技有限公司
Nanjing CEC Panda Crystal Tech Corp.

Specification of Quartz Crystal
石英晶体谐振器规格书

NO: SKC-0529

2.0×1.6 SMD

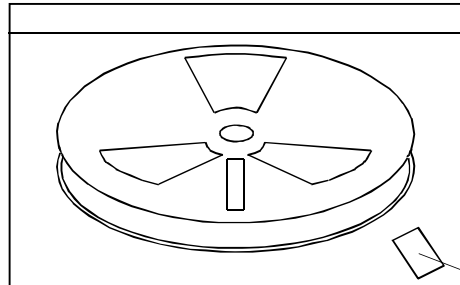
DATE: 2020/07/03

■包装(PACKAGE)

1.自封袋(Bag)

3000 只=1 轮

3000 pcs=1 Reel

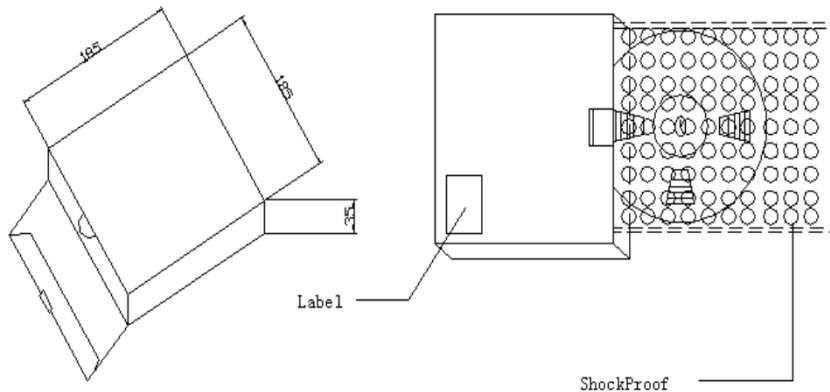


Desiccant 干燥剂

2.内包装(Inside Package)

1 轮=1 盒

1 Reel=1 Box



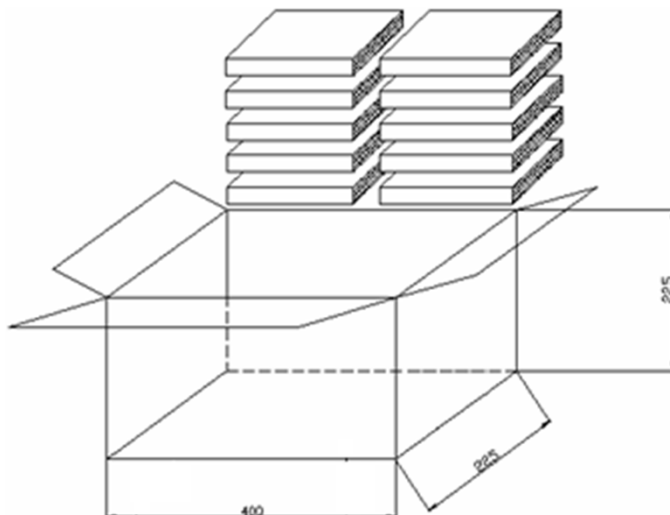
Label

ShockProof

3.外包装(Outside Package)

10 盒=1 箱

10 Box=1 Carton



<p>南京中电熊猫晶体科技有限公司 Nanjing CEC Panda Crystal Tech Corp.</p>	<p>Specification of Quartz Crystal 石英晶体谐振器规格书</p>	<p>NO: SKC-0529</p>
	<p>2.0×1.6 SMD</p>	<p>DATE: 2020/07/03</p>
<p>■保存条件(Storage Condotion)</p> <p>1. 保存温度: 25℃±15℃ Storage Temperature:25℃±15℃</p> <p>2. 湿度: 10%-60% humidity:10%-60%</p>		