

TRANSISTOR(PNP)

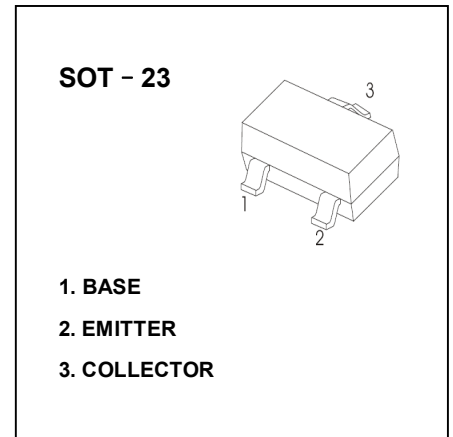
FEATURES

- High Collector Current
- Complementary to SS8050

MARKING: Y2

MAXIMUM RATINGS (T_a=25°C unless otherwise noted)

| Symbol | Parameter | Value | Unit |
|------------------|---|----------|------|
| V _{CB0} | Collector-Base Voltage | -40 | V |
| V _{CEO} | Collector-Emitter Voltage | -25 | V |
| V _{EBO} | Emitter-Base Voltage | -5 | V |
| I _C | Collector Current | -1.5 | A |
| P _C | Collector Power Dissipation | 300 | mW |
| R _{θJA} | Thermal Resistance From Junction To Ambient | 417 | °C/W |
| T _j | Junction Temperature | 150 | °C |
| T _{stg} | Storage Temperature | -55~+150 | °C |



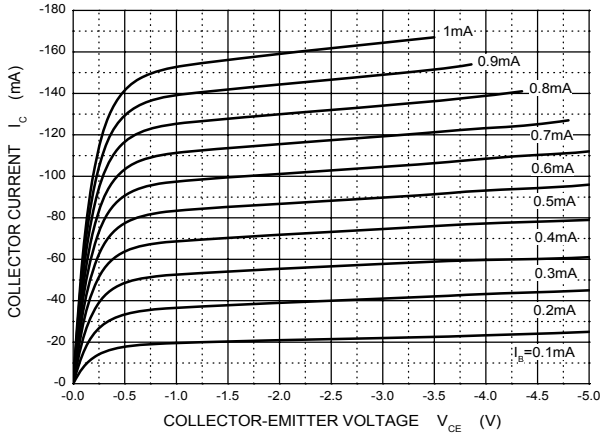
ELECTRICAL CHARACTERISTICS (T_a=25°C unless otherwise specified)

| Parameter | Symbol | Test conditions | Min | Typ | Max | Unit |
|--------------------------------------|----------------------|---|-----|-----|------|------|
| Collector-base breakdown voltage | V _{(BR)CBO} | I _C =-100μA, I _E =0 | -40 | | | V |
| Collector-emitter breakdown voltage | V _{(BR)CEO} | I _C =-0.1mA, I _B =0 | -25 | | | V |
| Emitter-base breakdown voltage | V _{(BR)EBO} | I _E =-100μA, I _C =0 | -5 | | | V |
| Collector cut-off current | I _{CBO} | V _{CB} =-40V, I _E =0 | | | -100 | nA |
| Emitter cut-off current | I _{EBO} | V _{EB} =-5V, I _C =0 | | | -100 | nA |
| DC current gain | h _{FE(1)} | V _{CE} =-1V, I _C =-100mA | 120 | | 400 | |
| | h _{FE(2)} | V _{CE} =-1V, I _C =-800mA | 40 | | | |
| Collector-emitter saturation voltage | V _{CE(sat)} | I _C =-800mA, I _B =-80mA | | | -0.5 | V |
| Base-emitter saturation voltage | V _{BE(sat)} | I _C =-800mA, I _B =-80mA | | | -1.2 | V |
| Base-emitter voltage | V _{BE} | V _{CE} =-1V, I _C =-10mA | | | -1 | V |
| Transition frequency | f _T | V _{CE} =-10V, I _C =-50mA, f=30MHz | 100 | | | MHz |
| Collector output capacitance | C _{ob} | V _{CB} =-10V, I _E =0, f=1MHz | | | 20 | pF |

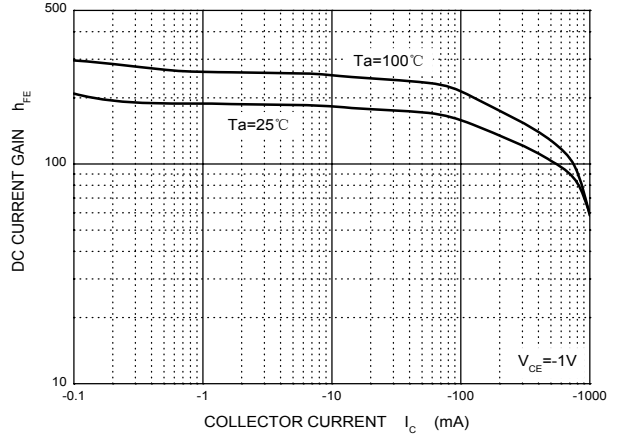
CLASSIFICATION OF h_{FE(1)}

| RANK | L | H | J |
|-------|-----------|-----------|-----------|
| RANGE | 120 - 200 | 200 - 350 | 300 - 400 |

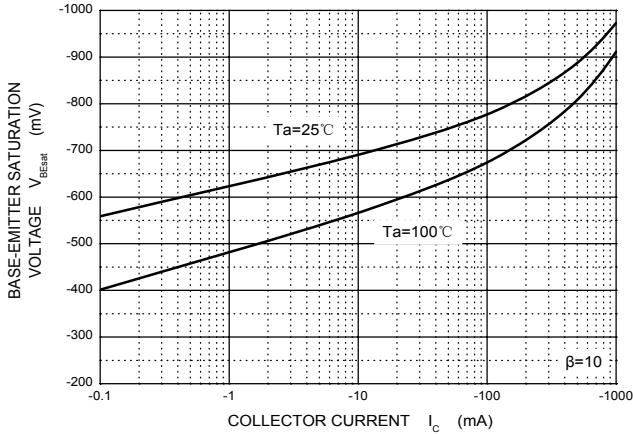
Static Characteristic



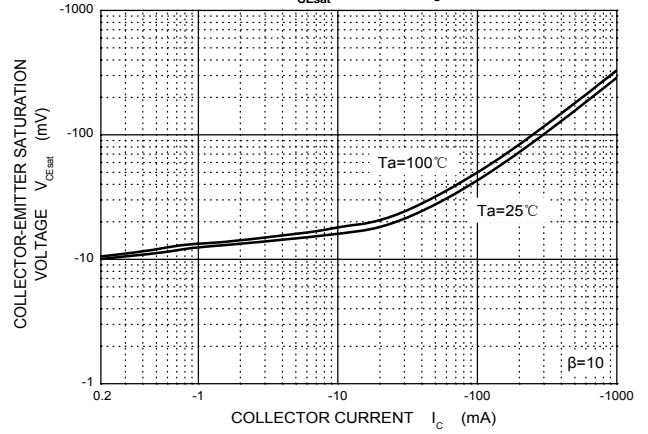
h_{FE} — I_c



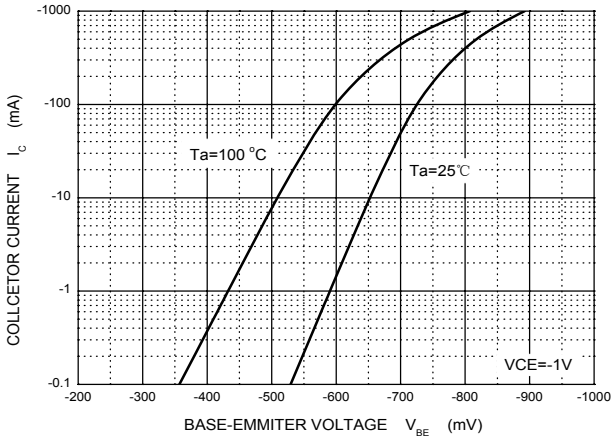
V_{BEsat} — I_c



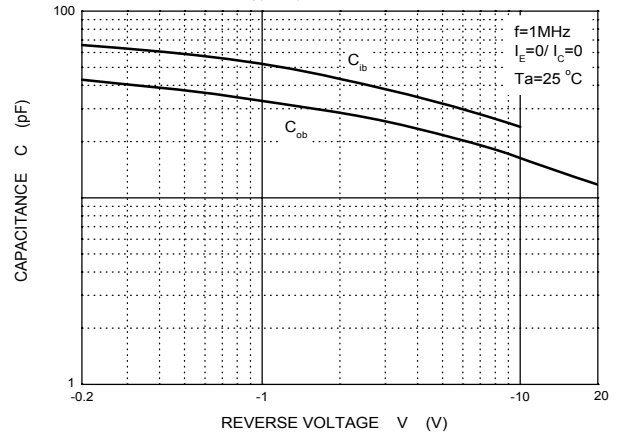
V_{CEsat} — I_c



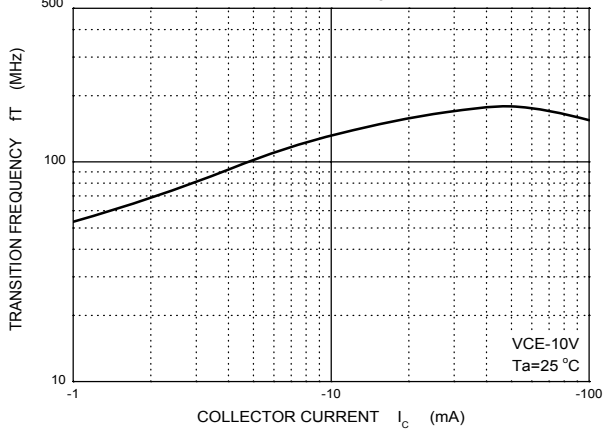
V_{BE} — I_c



C_{ob}/C_{ib} — V_{CB}/V_{EB}



f_T — I_c



P_c — T_a

