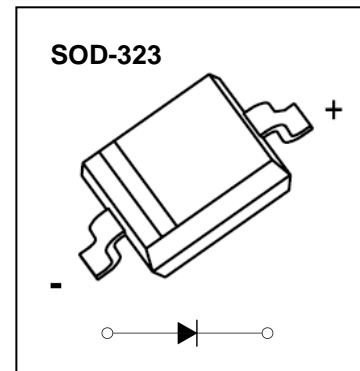


**1 A Surface Mount Schottky Barrier Diode****Absolute Maximum Ratings ($T_a = 25\text{ }^\circ\text{C}$)**

Parameter	Symbol	Value	Unit
Reverse Voltage	B5817WS	20	V
	B5818WS	30	
	B5819WS	40	
Average Forward Rectified Current	$I_{F(AV)}$	1	A
Non-Repetitive Peak Forward Surge Current ($t = 8.3\text{ ms}$)	I_{FSM}	9	A
Power Dissipation	P_{tot}	450	mW
Operating Temperature Range	T_j	- 55 to + 125	$^\circ\text{C}$
Storage Temperature Range	T_{stg}	- 55 to + 125	$^\circ\text{C}$

Characteristics at $T_a = 25\text{ }^\circ\text{C}$

Parameter	Symbol	Min.	Max.	Unit
Reverse Breakdown Voltage at $I_R = 1\text{ mA}$	B5817WS	20	-	V
	B5818WS	30	-	
	B5819WS	40	-	
Forward Voltage at $I_F = 1\text{ A}$ at $I_F = 3\text{ A}$	B5817WS	-	0.45	V
	B5818WS	-	0.55	
	B5819WS	-	0.6	
	B5817WS	-	0.75	
	B5818WS	-	0.875	
	B5819WS	-	0.9	
Reverse Voltage Leakage Current at $V_R = 20\text{ V}$ at $V_R = 30\text{ V}$ at $V_R = 40\text{ V}$	B5817WS	-	1	mA
	B5818WS	-	1	
	B5819WS	-	1	
Total Capacitance at $V_R = 4\text{ V}$, $f = 1\text{ MHz}$	C_{tot}	-	120	pF



Fig. 1 - Forward Current Derating Curve

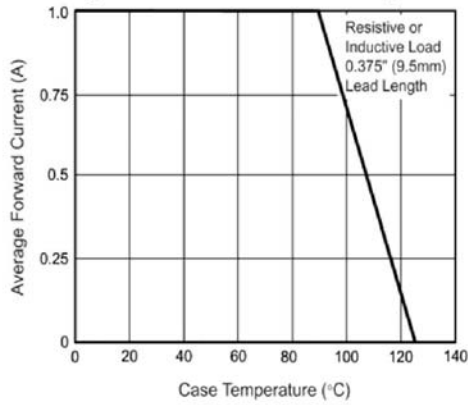


Fig. 2 - Maximum Non-Repetitive Peak Forward Surge Current

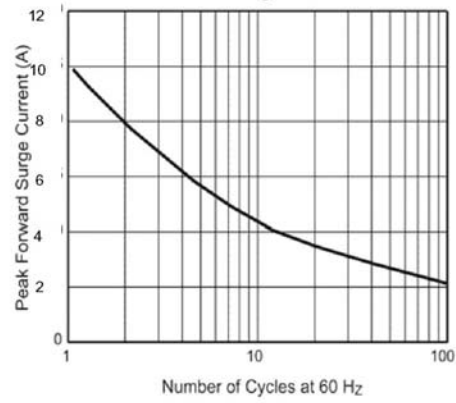


Fig. 3 - Typical Instantaneous Forward Characteristics

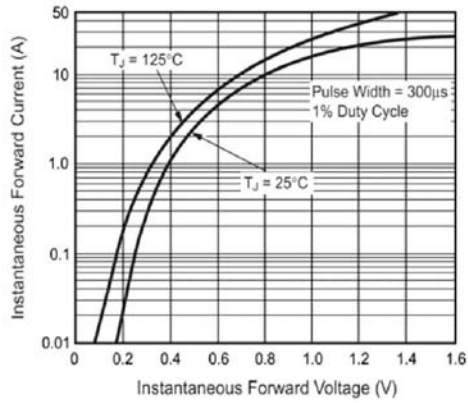


Fig. 4 - Typical Reverse Characteristics

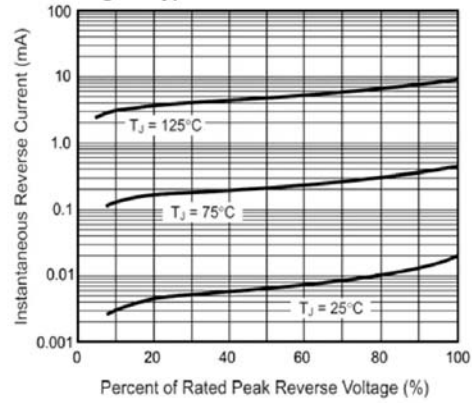


Fig. 5 - Typical Junction Capacitance

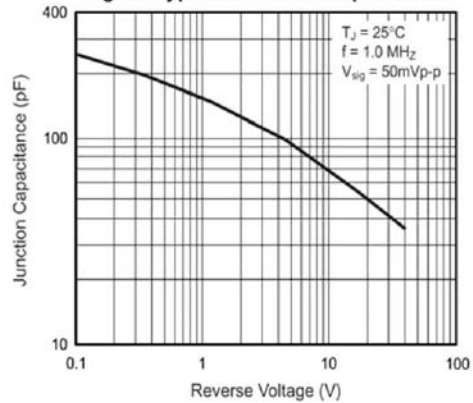
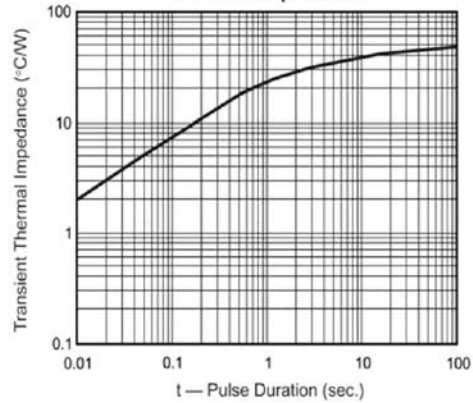
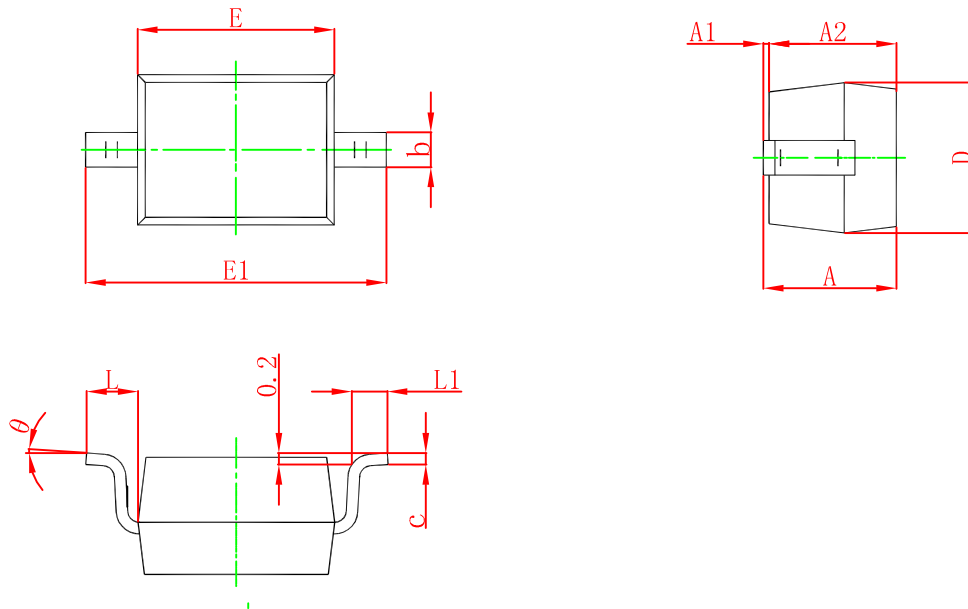


Fig. 6 - Typical Transient Thermal Impedance



SOD-323 Package Outline Dimensions



Symbol	Dimensions In Millimeters		Dimensions In Inches	
	Min	Max	Min	Max
A		1.000		0.039
A1	0.000	0.100	0.000	0.004
A2	0.800	0.900	0.031	0.035
b	0.250	0.350	0.010	0.014
c	0.080	0.150	0.003	0.006
D	1.200	1.400	0.047	0.055
E	1.600	1.800	0.063	0.071
E1	2.500	2.700	0.098	0.106
L	0.475 REF		0.019 REF	
L1	0.250	0.400	0.010	0.016
θ	0°	8°	0°	8°