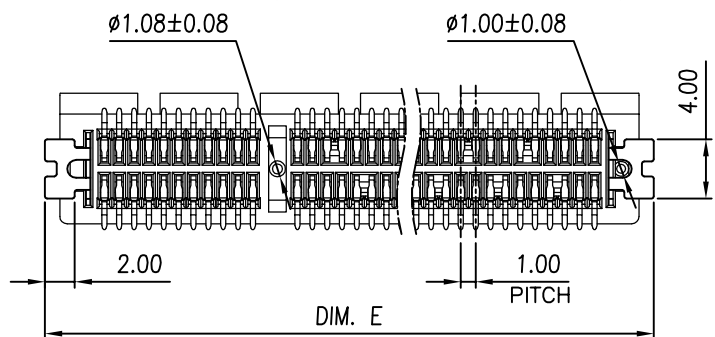


PROVISIONAL



DIMENSIONS					
POSITION	A $\pm 0.20$	B $\begin{smallmatrix} +0.20 \\ -0.08 \end{smallmatrix}$	C $\pm 0.25$	D $\pm 0.25$	E $\pm 0.3$
36	6	7.65	9.15	25	27
64	20	21.65	23.15	39	41
98	37	38.65	40.15	56	58
164	70	71.65	73.15	89	91

A7	-----	Lin xuejun	Oct,14,2022
A6	-----	Zhong Chunyu	Sep,01,2022
A5	-----	Lei Songping	Mar,08,2022
REV	ECN NO.	NAME	DATE

TOLERANCE	
LINEAR	ANGLES
X. $\pm 0.40$	X' $\pm$
.X $\pm 0.30$	.X' $\pm$
.XX $\pm 0.20$	.XX' $\pm$
.XXX $\pm 0.10$	.XXX' $\pm$

**UMax conn** 东莞市友贸实业有限公司  
DONGGUAN UMAX ENTERPRISE LIMITED

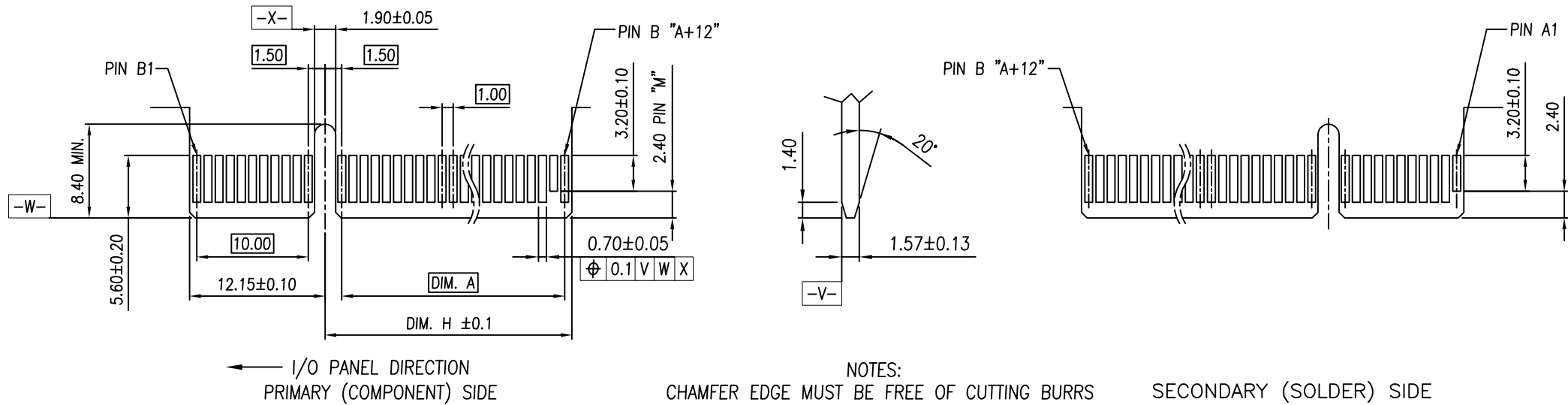
APPD: Jason MAT'L:  
CHKD: Schumi FINISH:  
DRWN: Lei Songping Q'TY:

TITLE: PCI EXPRESS 4.0  
SMT TYPE

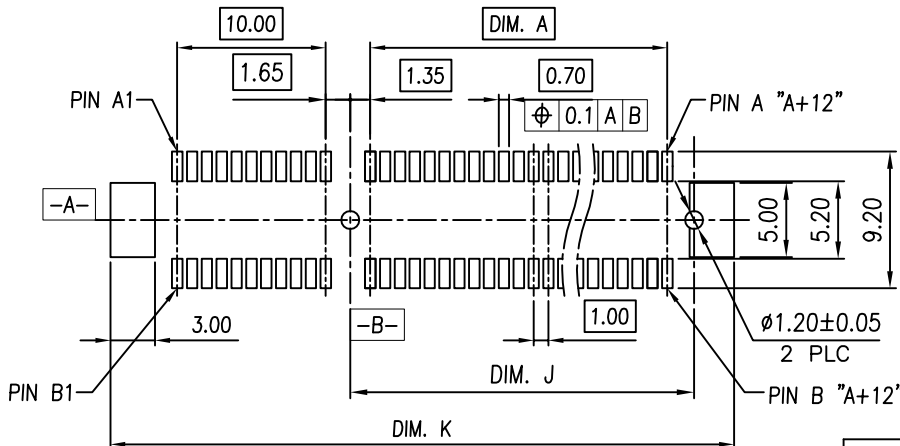
PART NO. 91611-110XXXXX

DWG NO. C-91611

	UNITS	SCALE	SHEET	REV
	MM	1 : 1	1 OF 3	A7



NOTES:  
 CHAMFER EDGE MUST BE FREE OF CUTTING BURRS  
 SECONDARY (SOLDER) SIDE



RECOMMENDED PCB LAYOUT  
 (COMPONENT SIDE)

TOLERANCE: ±0.05

PROVISIONAL

POS.	DIM. A	DIM. H	DIM. J	DIM. K	"M"
36	6	8.15	9.15	28.0	B17
64	20	22.15	23.15	42.0	B31
98	37	39.15	40.15	59.0	B48
164	70	72.15	73.15	92.0	B81

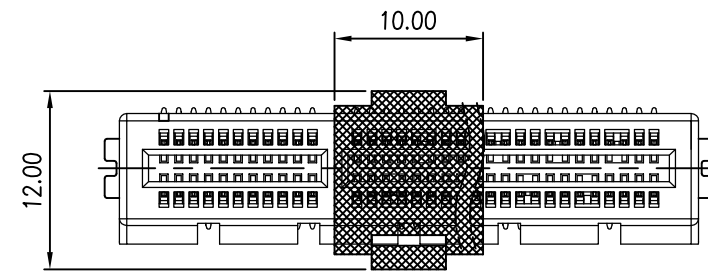
TOLERANCE		U Max conn 东莞市友贸实业有限公司 DONGGUAN UMAX ENTERPRISE LIMITED	TITLE: PCI EXPRESS 4.0 SMT TYPE	
LINEAR	ANGLES		PART NO.	91611-110XXXX
X.±	X'.±	APPD: Jason	MAT'L:	DWG NO. C-91611
.X±	.X'±	CHKD: Schumi	FINISH:	UNITS: MM
.XX±	.XX'±	DRWN: Lei Songping	Q'TY:	SCALE: 1 : 1
.XXX±	.XXX'±			SHEET: 2 OF 3

REV	ECN NO.	NAME	DATE
	See Sheet 1		

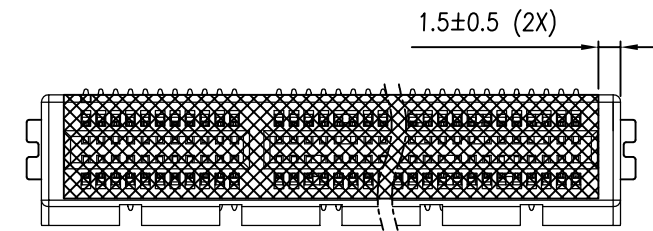
UNITS	SCALE	SHEET	REV
MM	1 : 1	2 OF 3	A7

NOTES:

1. MATERIAL:
  - 1.1 HOUSING: THERMOPLASTIC, HIGH TEMP, UL94V-0, COLOR: BLACK.
  - 1.2 CONTACTS: COPPER ALLOY.
  - 1.3 HOLDDOWN: COPPER ALLOY.
  - 1.4 CAP: THERMOPLASTIC, HIGH TEMP, UL94V-0, COLOR: BLACK.
2. FINISH:
  - 2.1 CONTACT:
    - SELECTIVE GOLD PLATING ON THE CONTACT AREA.
    - 100μ" MIN. MATTE-TIN PLATING ON THE SOLDER TAILS,
    - 50μ" MIN. NICKEL UNDERPLATING OVERALL.
  - 2.2 HOLDDOWN:
    - 100μ" MIN. MATTE-TIN PLATING WITH 50μ" MIN. NICKEL UNDERPLATE OVERALL.
4. PRODUCT SPEC: PS-GEN4-01
5. PACKAGING SPEC: 311304001 FOR TRAY, 311304002 FOR REEL, 311304003 FOR HARD TRAY



WITH CAP



WITH MYLAR

PART NO.

91611 - 1 1 0 X X X XX

Ridge Options  
1: With Ridge

HSG Color  
1: Black

Post Options  
0: With Post

Contact Plating  
0: 30u" Gold  
1: 15u" Gold  
2: Gold Flash

Halogen Options  
Blank: Halogen  
HF: Halogen Free

Packaging Options  
T: Tray Packaging  
C: Tray Packaging With Cap  
N: Tray Packaging With Mylar  
R: Tape & Reel Packaging  
P: Tape & Reel Packaging With Cap  
M: Tape & Reel Packaging With Mylar  
A: 72mm Width Tape & Reel Packaging With Cap  
Y: Hard Tray Packaging  
Z: Hard Tray Packaging With Mylar  
B: Hard Tray Packaging With Cap

No. of Pins  
0: 36P  
1: 64P  
2: 98P  
3: 164P

PROVISIONAL

TOLERANCE		UMax conn 东莞市友贸实业有限公司 DONGGUAN UMAX ENTERPRISE LIMITED	TITLE:				
LINEAR	ANGLES		PCI EXPRESS 4.0 SMT TYPE				
X.±	X'.±	APPD: Jason	MAT'L:	PART NO.	91611-110XXXXX		
.X±	.X'±			DWG NO.	C-91611		
.XX±	.XX'±	CHKD: Schumi	FINISH:	UNITS	SCALE	SHEET	REV
.XXX±	.XXX'±	DRWN: Lei Songping	Q'TY:	MM	1 : 1	3 OF 3	A7

	See Sheet 1		
REV	ECN NO.	NAME	DATE