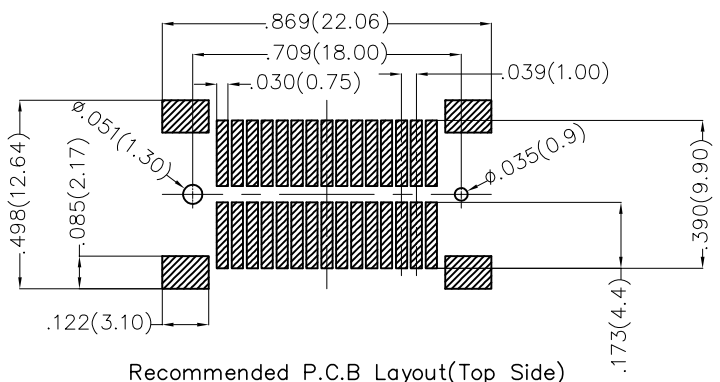
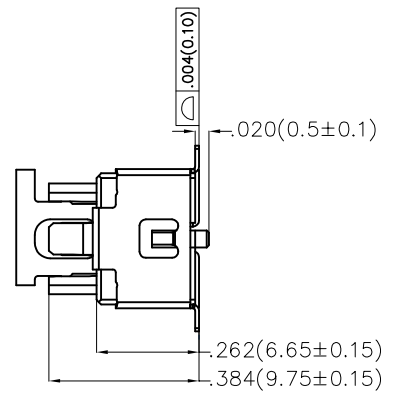
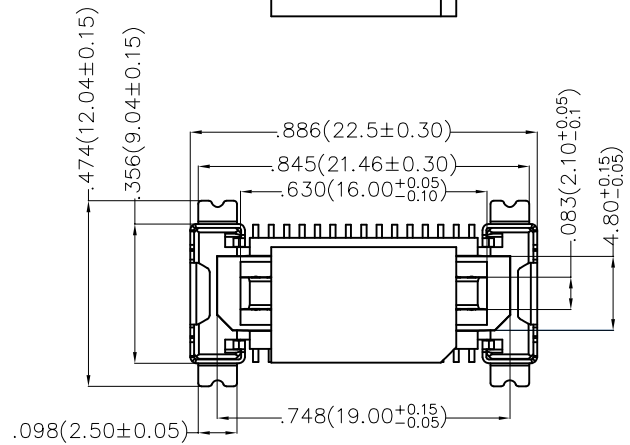
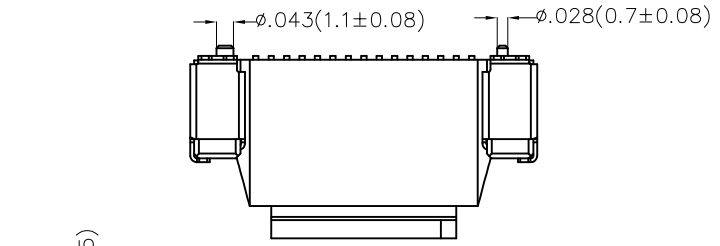


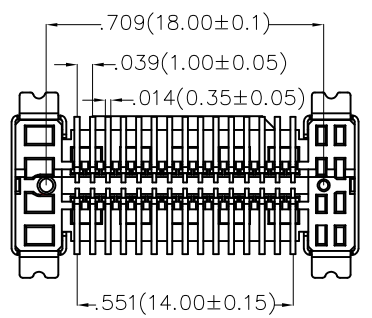
REV	LOCATIONS	DESCRIPTION	DATE	REVISER	APPD

A
B
C
D
E
F

A
B
C
D
E
F



Recommended P.C.B Layout (Top Side)
(PCB Board Tolerance ± 0.05)



Ordering Information

FBB 100 04 — M 30 S 3 XX 3 W5 M
1 2 3 4 5 6 7 8 9 10 11

1	Category FBB—Board To Board	2	Series Number 100—Pitch 1.0mm	3	Distinction No. 04	4	Type M—Male	5	Circuits 30	6	Entry Angle S—180° Vertical
7	Plating 3—Selective gold in contact area, tin on tail	8	Thickness of Plating 01—1μ" 05—5μ" Custom plate available	9	Material—Resin 3—LCP	10	Color—Resin W5—Natural	11	Packaging M—Reel		

<p>THIRD ANGLE PROJECTION</p>	GENERAL TOLERANCES (UNLESS SPECIFIED)		APPROVE BY FRANK	DATE 14/AUG/19	PART NO. FBB10004—M30S3XX3W5M	ITEM NO. FBB10004	<p>Leader Of Industry</p>	
	DESIGN UNITS Inch (metric)	X.X±.012(0.30) .X'±5'	X.X±.008(0.20) .X'±2'	CHECKED BY CHERRY	DATE 14/AUG/19	TITLE Board to Board Pitch 1.0mm 180° Vertical (SMT)		
	SCALE 5:1	X.XX±.006(0.15) .XX'±1'	X.XXX±.004(0.10) .XXX'±0.5'	DRAWN BY ZOEY	DATE 14/AUG/19	REV 0		SHEET NO. 1/1
	THIS DRAWING CONTAINS INFORMATION THAT IS PROPRIETARY TO TXGA INDUSTRIAL ELECTRONICS(S,Z)CO.,LTD AND SHOULD NOT BE USED WITHOUT WRITTEN PERMISSION							