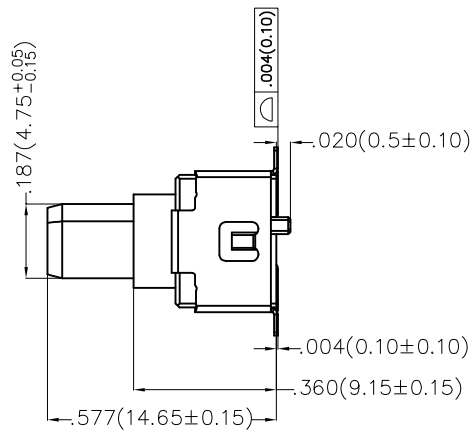
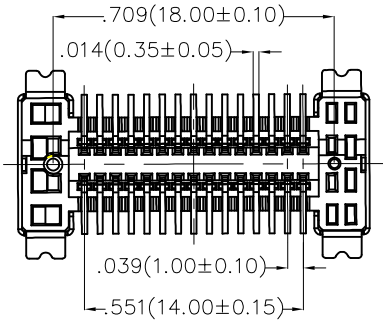
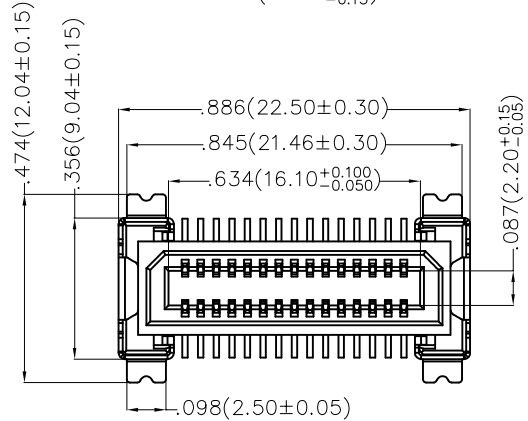
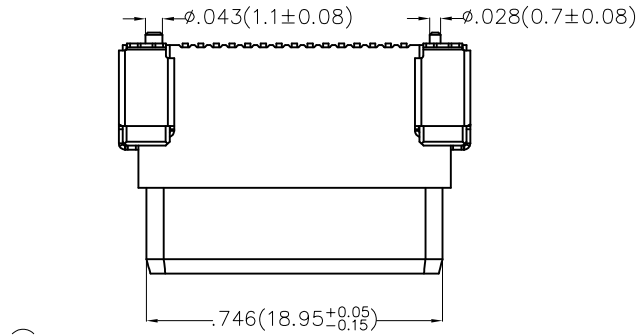


REV	LOCATIONS	DESCRIPTION	DATE	REVISER	APPD

A
B
C
D
E
F

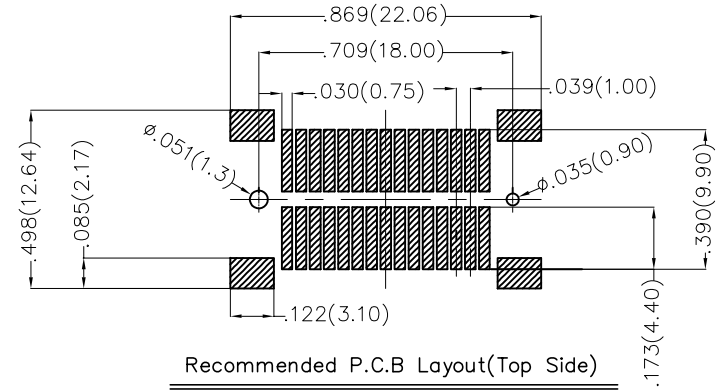


Electrical

Current Rating: 1.0A AC(rms)/DC
Voltage Rating: 100V AC(rms)/DC
Contact Resistance: 100 mΩ Max.
Insulation Resistance: 50 MΩ Min.
Withstanding Voltage: 250V AC r.m.s
Temperature Range—Operating: -40°C~+85°C

Material and Plating

Housing: LCP (UL94V-0)
Contacts Pin: Phosphor Bronze
Plating: Selective gold in contact area,
tin on tail




Recommended P.C.B Layout (Top Side)
(PCB Board Tolerance ±0.05)

Ordering Information

FBB 100 04 — F 30 S 3 XX 3 W5 M
1 2 3 4 5 6 7 8 9 10 11

1	Category FBB—Board To Board	2	Series Number 100—Pitch 1.0mm	3	Distinction No. 04	4	Type F—Female	5	Circuits 30	6	Entry Angle S—180° Vertical
7	Plating 3—Selective gold in contact area, tin on tail	8	Thickness of Plating 01—1μ" 05—5μ" Custom plate available	9	Material—Resin 3—LCP	10	Color—Resin W5—Natural	11	Packaging M—Reel		

THIRD ANGLE PROJECTION	GENERAL TOLERANCES (UNLESS SPECIFIED)		APPROVE BY	DATE	PART NO.	ITEM NO.	 Leader Of Industry
	X.±.012(0.30)	X'.±5'	FRANK	14/AUG/19	FBB10004-F30S3XX3W5M	FBB10004	
DESIGN UNITS Inch (metric)	X.X±.008(0.20)	.X'±2'	CHECKED BY	DATE	TITLE		REV 0
SCALE	X.XX±.006(0.15)	.XX'±1'	CHERRY	14/AUG/19	Board to Board Pitch 1.0mm 180° Vertical (SMT)		
SIZE A4	X.XXX±.004(0.10)	.XXX'±0.5'	DRAWN BY	DATE	THIS DRAWING CONTAINS INFORMATION THAT IS PROPRIETARY TO TXGA INDUSTRIAL ELECTRONICS(S.Z)CO.,LTD AND SHOULD NOT BE USED WITHOUT WRITTEN PERMISSION		
5:1	ZOEY	14/AUG/19					

A
B
C
D
E
F

1 2 3 4 5 6 7 8