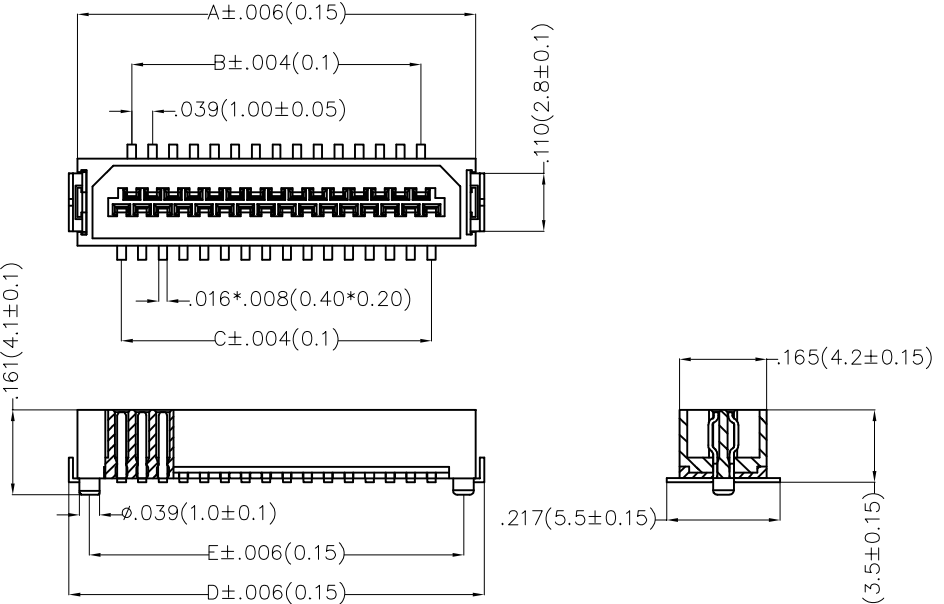


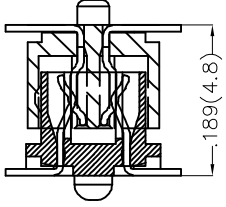
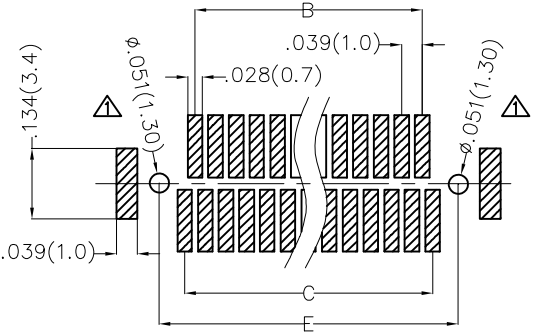
REV	LOCATIONS	DESCRIPTION	DATE	REVISER	APPD
1	△	Change PCB opening size	2020/01/16	ZOEY	CHERRY

Electrical
 Current Rating: 0.5A AC(rms)/DC
 Voltage Rating: 50V AC(rms)/DC
 Contact Resistance: 50 mΩ Max
 Insulation Resistance: 500 MΩ MIN
 Withstanding Voltage: 200V AC r.m.s
 Temperature Range-Operating: -35°C~+85°C

Material and Plating
 Housing: LCP (UL94V-0)
 Contact Pin: Phosphor Bronze
 Plating: Selective gold in contact area,
 tin on tail



Circuits (n)	Part No.	Dimensions(in/mm)				
		A	B	C	D	E
21	FBB10003-M21S3XX3W5M	.563(14.30)	.354(9.00)	.394(10.00)	.634(16.10)	.516(13.10)
31	FBB10003-M31S3XX3W5M	.760(19.30)	.551(14.00)	.591(15.00)	.831(21.10)	.713(18.10)
41	FBB10003-M41S3XX3W5M	.957(24.30)	.748(19.00)	.787(20.00)	1.028(26.10)	.909(23.10)
51	FBB10003-M51S3XX3W5M	1.154(29.30)	.945(24.00)	.984(25.00)	1.224(31.10)	1.106(28.10)



Ordering Information

FBB 100 03 — M XX S 3 XX 3 W5 M
 1 2 3 4 5 6 7 8 9 10 11

1	Category FBB-Board To Board	2	Series Number 100-Pitch1.0mm	3	Distinction No. 03	4	Type M-Male	5	Circuits XX	6	Entry Angle S-180° Vertical
7	Plating 3-Selective gold in contact area, tin on tail	8	Thickness of Plating 01-1μ" 05-5μ" Custom plate available	9	Material-Resin 3-LCP	10	Color-Resin W5-Natural	11	Packaging M-Reel		

THIRD ANGLE PROJECTION		GENERAL TOLERANCES (UNLESS SPECIFIED)		APPROVE BY	DATE	PART NO.	ITEM NO.	TXGA Leader Of Industry
DESIGN UNITS Inch (metric)		X.±.012(0.30)	X.±5'	FRANK	14/AUG/19	FBB10003-MXXS3XX3W5M	FBB10003	
SCALE	SIZE	X.XX±.008(0.20)	.X'±2'	CHECKED BY	DATE	TITLE Board to Board Pitch 1.0mm 180° Vertical (SMT)		
5:1	A4	X.XX±.006(0.15)	.XX'±1'	DRAWN BY	DATE	THIS DRAWING CONTAINS INFORMATION THAT IS PROPRIETARY TO TXGA INDUSTRIAL ELECTRONICS(S.Z)CO.,LTD AND SHOULD NOT BE USED WITHOUT WRITTEN PERMISSION		
		X.XXX±.004(0.10)	.XXX'±0.5'	ZOEY	14/AUG/19			