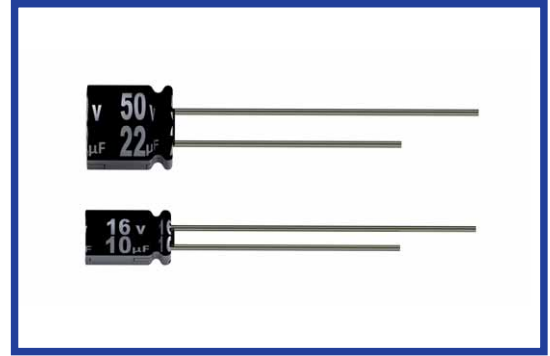


MH7 SERIES

105°C 7mm Height

*Load Life : 105°C 1000 hours.

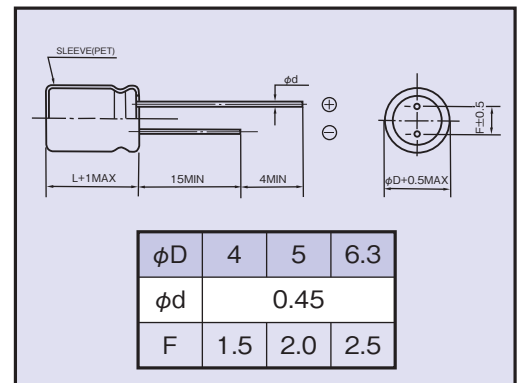


SPECIFICATIONS

Items	Characteristics							
Category Temperature Range	-40~+105°C							
Rated Voltage Range	6.3~50Vdc							
Capacitance Tolerance	±20% (20°C, 120Hz)							
Leakage Current(MAX)	I=0.01CV or 3µA whichever is greater. (After 2 minutes application of rated voltage) I=Leakage Current(µA) C=Capacitance(µF) V=Rated Voltage(Vdc)							
Dissipation Factor(MAX) (tanδ)	Rated Voltage (Vdc)	6.3	10	16	25	35	50	(20°C, 120Hz)
	tanδ	0.24	0.20	0.16	0.14	0.12	0.10	
Endurance	After applying rated voltage with rated ripple current for 1000 hours at 105°C, the capacitors shall meet the following requirements.							
	Capacitance Change	Within ±25% of the initial value.						
	Dissipation Factor	Not more than 200% of the specified value.						
Low Temperature Stability Impedance Ratio(MAX)	Rated Voltage (Vdc) 6.3 10 16 25 35 50 (120Hz)							
	Z(-25°C)/Z(20°C)	3	2	2	2	2	2	
	Z(-40°C)/Z(20°C)	6	5	4	3	3	3	

DIMENSIONS

(mm)



MULTIPLIER FOR RIPPLE CURRENT

Coefficient	Frequency (Hz)	60(50)	120	500	1k	10k≤
	1µF	0.50	1.00	1.20	1.30	1.50
2.2~4.7µF	0.65	1.00	1.20	1.30	1.50	
10~47µF	0.80	1.00	1.20	1.30	1.50	
100µF	0.80	1.00	1.10	1.15	1.20	

STANDARD SIZE Size φD×L(mm), Rated Ripple Current (mA r.m.s./105°C, 120Hz)

Vdc	Cap (µF)	Size (φD×L)	Rated Ripple Current
6.3	22	4×7	34
	33	5×7	42
	47	5×7	50
	100	6.3×7	77
10	22	5×7	38
	33	5×7	47
	47	6.3×7	65
	100	6.3×7	87

Vdc	Cap (µF)	Size (φD×L)	Rated Ripple Current
16	10	4×7	29
	22	5×7	44
	33	6.3×7	60
	47	6.3×7	70
	100	6.3×7	91
25	10	5×7	33
	22	6.3×7	51
	33	6.3×7	65
	47	6.3×7	70

Vdc	Cap (µF)	Size (φD×L)	Rated Ripple Current
35	4.7	4×7	24
	10	5×7	36
	22	6.3×7	60
	33	6.3×7	65
	100	6.3×7	91
50	1	4×7	10
	2.2	4×7	19
	3.3	4×7	24
	4.7	5×7	29
	10	6.3×7	44
	22	6.3×7	60

OPTION

	Code
PET Sleeve	EFC

PART NUMBER

MH7 M DXL
 Rated Voltage Series Capacitance Capacitance Tolerance Option Lead Forming Case Size