



MICROCHIP

PIC24FJ256GA412/GB412 FAMILY

16-Bit Flash Microcontrollers with Dual Partition Flash Memory, XLP, LCD, Cryptographic Engine and USB On-The-Go

Extreme Low-Power Features

- Multiple Power Management Options for Extreme Power Reduction:
 - VBAT allows for lowest power consumption on backup battery (with or without RTCC)
 - Deep Sleep allows near total power-down with the ability to wake-up on external triggers
 - Sleep and Idle modes selectively shut down peripherals and/or core for substantial power reduction and fast wake-up
 - Doze mode allows CPU to run at a lower clock speed than peripherals
- Alternate Clock modes allow On-the-Fly Switching to a Lower Clock Speed for Selective Power Reduction
- Extreme Low-Power Current Consumption for Deep Sleep:
 - WDT: 650 nA @ 2V typical
 - RTCC: 650 nA @ 32 kHz, 2V typical
 - Deep Sleep current, 60 nA typical
- 160 μ A/MHz in Run mode

High-Performance CPU

- Modified Harvard Architecture
- Up to 16 MIPS Operation @ 32 MHz
- 8 MHz Internal Oscillator:
 - 96 MHz PLL option
 - Multiple clock divide options
 - Run-time self-calibration capability for maintaining better than $\pm 0.20\%$ accuracy
 - Fast start-up
- 17-Bit x 17-Bit Single-Cycle Hardware Fractional/Integer Multiplier
- 32-Bit by 16-Bit Hardware Divider
- 16 x 16-Bit Working Register Array
- C Compiler Optimized Instruction Set Architecture
- Two Address Generation Units for Separate Read and Write Addressing of Data Memory

Cryptographic Engine

- Performs NIST Standard Encryption/Decryption Operations without CPU Intervention
- AES Cipher Support for 128, 192 and 256-Bit Keys
- DES/3DES Cipher Support, with up to Three Unique Keys for 3DES
- Supports ECB, CBC, OFB, CTR and CFB128 modes
- Programmatically Secure OTP Array for Key Storage
- True Random Number Generation
- Battery-Backed RAM Key Storage

Analog Features

- 10/12-Bit, up to 24-Channel Analog-to-Digital (A/D) Converter:
 - Conversion rate of 500 ksp/s (10-bit), 200 ksp/s (12-bit)
 - Auto-scan and threshold compare features
 - Conversion available during Sleep
- One 10-Bit Digital-to-Analog Converter (DAC):
 - 1 Msps update rate
- Three Rail-to-Rail, Enhanced Analog Comparators with Programmable Input/Output Configuration
- Charge Time Measurement Unit (CTMU):
 - Used for capacitive touch sensing, up to 24 channels
 - Time measurement down to 100 ps resolution

Dual Partition Flash with Live Update Capability

- Capable of Holding Two Independent Software Applications, including Bootloader
- Permits Simultaneous Programming of One Partition while Executing Application Code from the Other
- Allows Run-Time Switching Between Active Partitions

Universal Serial Bus Features (PIC24FJXXXGB4XX Only)

- USB v2.0 On-The-Go (OTG) Compliant
- Dual Role Capable – Can Act as Either Host or Peripheral
- Low-Speed (1.5 Mb/s) and Full-Speed (12 Mb/s) USB Operation in Host mode
- Full-Speed USB Operation in Device mode
- High-Precision PLL for USB
- USB Device mode Operation from FRC Oscillator – No Crystal Oscillator Required
- Supports up to 32 Endpoints (16 bidirectional):
 - USB module can use any RAM locations on the device as USB endpoint buffers
- On-Chip USB Transceiver with Interface for Off-Chip USB Transceiver
- Supports Control, Interrupt, Isochronous and Bulk Transfers
- On-Chip Pull-up and Pull-Down Resistors

Special Microcontroller Features

- 20,000 Erase/Write Cycle Endurance, Typical
- Data Retention: 20 Years Minimum
- Self-Programmable under Software Control
- Supply Voltage Range of 2.0V to 3.6V
- Two On-Chip Voltage Regulators (1.8V and 1.2V) for Regular and Extreme Low-Power Operation
- Programmable Reference Clock Output
- In-Circuit Serial Programming™ (ICSP™) and In-Circuit Emulation (ICE) via 2 Pins
- JTAG Boundary Scan Support
- Fail-Safe Clock Monitor (FSCM) Operation:
 - Detects clock failure and switches to on-chip, Low-Power RC (LPRC) Oscillator
- Power-on Reset (POR), Power-up Timer (PWRT) and Oscillator Start-up Timer (OST)
- Separate Brown-out Reset (BOR) and Deep Sleep Brown-out Reset (DSBOR) Circuits
- Programmable High/Low-Voltage Detect (HLVD)
- Flexible Watchdog Timer (WDT) with its Own RC Oscillator for Reliable Operation
- Standard and Ultra Low-Power Watchdog Timers (ULPW) for Reliable Operation in Standard and Deep Sleep modes
- Temperature Range: -40°C to +85°C

PIC24FJ256GA412/GB412 FAMILY

Peripheral Features

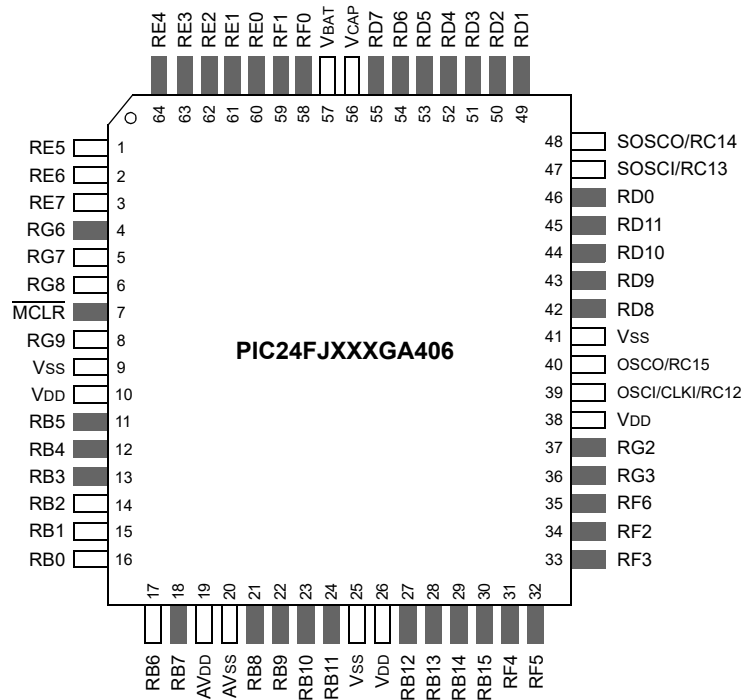
- LCD Display Controller:
 - Up to 64 Segments by 8 Commons
 - Internal charge pump and low-power, internal resistor biasing
 - Operation in Sleep mode
- Up to Five External Interrupt Sources
- Peripheral Pin Select (PPS); allows Independent I/O Mapping of Many Peripherals
- Six-Channel DMA Supports All Peripheral modules:
 - Minimizes CPU overhead and increases data throughput
- Five 16-Bit Timers/Counters with Prescalers:
 - Can be paired as 32-bit timers/counters
- Using a combination of Timer, CCP, IC and OC Timers, the Device can be Configured to use up to 31 16-Bit Timers, and up to 15 32-Bit Timers
- Six Input Capture modules, each with a Dedicated 16-Bit Timer
- Six Output Compare/PWM modules, each with a Dedicated 16-Bit Timer
- Six Single Output CCPs (SCCP) and One Multiple Output CCP (MCCP) modules:
 - Independent 16/32-bit time base for each module
 - Internal time base and Period registers
 - Legacy PIC24F Capture and Compare modes (16 and 32-bit)
 - Special variable frequency pulse and Brushless DC Motor (BDCM) Output modes
- Enhanced Parallel Master/Slave Port (EPMP/EPSP)
- Hardware Real-Time Clock/Calendar (RTCC) with Timestamping:
 - Tamper detection with timestamping feature and tamper pin
 - Runs in Deep Sleep and VBAT modes
- Four Three-Wire/Four-Wire SPI modules (support four Frame modes) with 8-Level FIFO Buffer
- Three I²C modules support Multi-Master/Slave mode and 7-Bit/10-Bit Addressing
- Six UART modules:
 - Support RS-485, RS-232 and LIN/J2602
 - On-chip hardware encoder/decoder for IrDA[®]
 - Auto-wake-up on Auto-Baud Detect (ABD)
 - Four-level deep FIFO buffer
- Programmable 32-Bit Cyclic Redundancy Check (CRC) Generator
- Four Configurable Logic Cells (CLCs):
 - Two inputs and one output, all mappable to peripherals or I/O pins
 - AND/OR/XOR logic and D/JK flip-flop functions
- High-Current Sink/Source (18 mA/18 mA) on All I/O Pins
- Configurable Open-Drain Outputs on Digital I/O Pins
- 5.5V Tolerant Inputs on Multiple I/O Pins

Device	Memory		Pins	Analog Peripherals				Digital Peripherals							USB OTG	Crypto Engine	LCD Controller (pixels)	Deep Sleep + VBAT	
	Program (bytes)	Data (bytes)		10/12-Bit A/D (ch)	10-Bit DAC	Comparators	CTMU	MCCP/SCCP	16/32-Bit Timers	IC/OC-PWM	I ² C	SPI	UART/IrDA [®]	EPMP/EPSP					CLC
PIC24FJ256GA412	256K	16K	121	24	1	3	Y	1/6	31/15	6/6	3	4	6	Y	4	N	Y	512	Y
PIC24FJ256GA410	256K	16K	100	24	1	3	Y	1/6	31/15	6/6	3	4	6	Y	4	N	Y	480	Y
PIC24FJ256GA406	256K	16K	64	16	1	3	Y	1/6	31/15	6/6	3	4	6	Y	4	N	Y	248	Y
PIC24FJ128GA412	128K	16K	121	24	1	3	Y	1/6	31/15	6/6	3	4	6	Y	4	N	Y	512	Y
PIC24FJ128GA410	128K	16K	100	24	1	3	Y	1/6	31/15	6/6	3	4	6	Y	4	N	Y	480	Y
PIC24FJ128GA406	128K	16K	64	16	1	3	Y	1/6	31/15	6/6	3	4	6	Y	4	N	Y	248	Y
PIC24FJ64GA412	64K	8K	121	24	1	3	Y	1/6	31/15	6/6	3	4	6	Y	4	N	Y	512	Y
PIC24FJ64GA410	64K	8K	100	24	1	3	Y	1/6	31/15	6/6	3	4	6	Y	4	N	Y	480	Y
PIC24FJ64GA406	64K	8K	64	16	1	3	Y	1/6	31/15	6/6	3	4	6	Y	4	N	Y	248	Y
PIC24FJ256GB412	256K	16K	121	24	1	3	Y	1/6	31/15	6/6	3	4	6	Y	4	Y	Y	512	Y
PIC24FJ256GB410	256K	16K	100	24	1	3	Y	1/6	31/15	6/6	3	4	6	Y	4	Y	Y	480	Y
PIC24FJ256GB406	256K	16K	64	16	1	3	Y	1/6	31/15	6/6	3	4	6	Y	4	Y	Y	240	Y
PIC24FJ128GB412	128K	16K	121	24	1	3	Y	1/6	31/15	6/6	3	4	6	Y	4	Y	Y	512	Y
PIC24FJ128GB410	128K	16K	100	24	1	3	Y	1/6	31/15	6/6	3	4	6	Y	4	Y	Y	480	Y
PIC24FJ128GB406	128K	16K	64	16	1	3	Y	1/6	31/15	6/6	3	4	6	Y	4	Y	Y	240	Y
PIC24FJ64GB412	64K	8K	121	24	1	3	Y	1/6	31/15	6/6	3	4	6	Y	4	Y	Y	512	Y
PIC24FJ64GB410	64K	8K	100	24	1	3	Y	1/6	31/15	6/6	3	4	6	Y	4	Y	Y	480	Y
PIC24FJ64GB406	64K	8K	64	16	1	3	Y	1/6	31/15	6/6	3	4	6	Y	4	Y	Y	240	Y

PIC24FJ256GA412/GB412 FAMILY

Pin Diagrams

64-Pin TQFP
64-Pin QFN⁽¹⁾



Legend: Shaded pins indicate pins tolerant to up to +5.5 VDC. See [Table 1](#) for a complete description of pin functions.

Note 1: It is recommended to connect the metal pad on the bottom of the 64-pin QFN package to Vss.

PIC24FJ256GA412/GB412 FAMILY

TABLE 1: COMPLETE PIN FUNCTION DESCRIPTIONS FOR PIC24FJXXXGA406 DEVICES

Pin	Function	Pin	Function
1	LCDBIAS2/IC4/CTED4/PMD5/IOCE5/RE5	33	SEG12/ RP16 /IOCF3/RF3
2	LCDBIAS1/SCL3/IC5/PMD6/IOCE6/RE6	34	SEG40/ RP30 /IOCF2/RF2
3	LCDBIAS0/SDA3/IC6/PMD7/IOCE7/RE7	35	IOCF6/RF6
4	SEG0/C1IND/ RP21 /ICM1/OCM1A/PMA5/IOCG6/RG6	36	SDA1/IOCG3/RG3
5	VLCAP1/C1INC/ RP26 /OCM1B/PMA4/IOCG7/RG7	37	SCL1/IOCG2/RG2
6	VLCAP2/C2IND/ RP19 /ICM2/OCM2/PMA3/IOCG8/RG8	38	VDD
7	MCLR	39	OSCI/CLKI/IOCC12/RC12
8	SEG1/C1INC/C2INC/C3INC/ RP27 /DAC1/PMA2/PMALU/IOCG9/RG9	40	OSCO/CLKO/IOCC15/RC15
9	VSS	41	VSS
10	VDD	42	SEG13/CLC4OUT/ RP2 /RTCC/ $\overline{U6RTS}$ / $\overline{U6BCLK}$ /ICM5/IOCD8/RD8
11	PGEC3/SEG2/AN5/C1INA/ RP18 /ICM3/OCM3/IOCB5/RB5	43	SEG14/ RP4 /PMACK2/IOCD9/RD9
12	PGED3/SEG3/AN4/C1INB/ RP28 /IOCB4/RB4	44	SEG15/C3IND/ RP3 /PMA15/APMCS2/IOCD10/RD10
13	SEG4/AN3/C2INA/IOCB3/RB3	45	SEG16/C3INC/ RP12 /PMA14/PMCS/APMCS1/IOCD11/RD11
14	SEG5/AN2/CTCMP/C2INB/ RP13 /CTED13/IOCB2/RB2	46	SEG17/CLC3OUT/ RP11 / $\overline{U6CTS}$ /ICM6/INT0/IOCD0/RD0
15	PGEC1/SEG6/VREF-/CVREF-/AN1/AN1-/ RP1 /CTED12/IOCB1/RB1	47	SOSCI/IOCC13/RC13
16	PGED1/SEG7/VREF+/CVREF+/DVREF+/AN0/ RP0 /PMA6/IOCB0/RB0	48	SOSCO/SCLKI/ RP137 /PWRLCLK/IOCC14/RC14
17	PGEC2/LCDBIAS3/AN6/ RP6 /IOCB6/RB6	49	SEG20/ RP24 /U5TX/ICM4/IOCD1/RD1
18	PGED2/SEG63/AN7/ RP7 /U6TX/IOCB7/RB7	50	SEG21/ RP23 /PMACK1/IOCD2/RD2
19	AVDD	51	SEG22/ RP22 /ICM7/PMBE0/IOCD3/RD3
20	AVSS	52	SEG23/ RP25 /PMWR/PMENB/IOCD4/RD4
21	COM7/SEG31/AN8/ RP8 /PWRGT/IOCB8/RB8	53	SEG24/ RP20 /PMRD/ \overline{PMWR} /IOCD5/RD5
22	COM6/SEG30/AN9/ \overline{TMPR} / RP9 /T1CK/PMA7/IOCB9/RB9	54	SEG25/C3INB/U5RX/OC4/IOCD6/RD6
23	TMS/COM5/SEG29/CVREF/AN10/SDO4/PMA13/IOCB10/RB10 ⁽¹⁾	55	SEG26/C3INA/ $\overline{U5RTS}$ / $\overline{U5BCLK}$ /OC5/IOCD7/RD7
24	TDO/AN11/REF11/ $\overline{SS4}$ /FSYNC4/PMA12/IOCB11/RB11	56	VCAP
25	VSS	57	VBAT
26	VDD	58	SEG27/ $\overline{U5CTS}$ /OC6/IOCF0/RF0
27	TCK/SEG18/AN12/U6RX/CTED2/PMA11/IOCB12/RB12	59	COM4/SEG47/SCK4/IOCF1/RF1
28	TDI/SEG19/AN13/SDI4/CTED1/PMA10/IOCB13/RB13	60	COM3/PMD0/IOCE0/RE0
29	SEG8/AN14/ RP14 /CTED5/CTPLS/PMA1/PMALH/IOCB14/RB14	61	COM2/PMD1/IOCE1/RE1
30	SEG9/AN15/ RP29 /CTED6/PMA0/PMALL/IOCB15/RB15	62	COM1/PMD2/IOCE2/RE2
31	SEG10/ RP10 /SDA2/PMA9/IOCF4/RF4	63	COM0/CTED9/PMD3/IOCE3/RE3
32	SEG11/ RP17 /SCL2/PMA8/IOCF5/RF5	64	SEG62/LVDIN/CTED8/PMD4/IOCE4/RE4

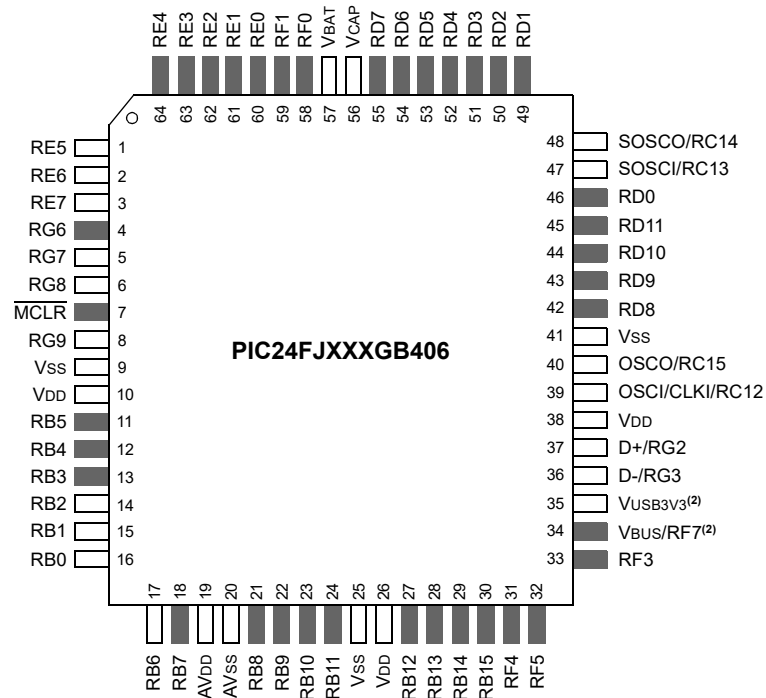
Legend: **RPn** and **RPIn** represent remappable pins for Peripheral Pin Select functions.

Note 1: A pull-up resistor is connected to this pin during programming.

PIC24FJ256GA412/GB412 FAMILY

Pin Diagrams (Continued)

64-Pin TQFP
64-Pin QFN⁽¹⁾



Legend: Shaded pins indicate pins tolerant to up to +5.5 VDC. See [Table 2](#) for a complete description of pin functions.

Note 1: It is recommended to connect the metal pad on the bottom of the 64-pin QFN package to Vss.

2: PIC24FJ256GB406 devices use VUSB3v3 instead of RF6 and Vbus/RF7 instead of RF2.

PIC24FJ256GA412/GB412 FAMILY

TABLE 2: COMPLETE PIN FUNCTION DESCRIPTIONS FOR PIC24FJXXXGB406 DEVICES

Pin	Function	Pin	Function
1	LCDBIAS2/IC4/CTED4/PMD5/IOCE5/RE5	33	SEG12/RP16/USBID/IOCF3/RF3
2	LCDBIAS1/SCL3/IC5/PMD6/IOCE6/RE6	34	VBus/IOCF7/RF7
3	LCDBIAS0/SDA3/IC6/PMD7/IOCE7/RE7	35	VUSB3V3
4	SEG0/C1IND/RP21/ICM1/OCM1A/PMA5/IOCG6/RG6	36	D-/IOCG3/RG3
5	VLAP1/C1INC/RP26/OCM1B/PMA4/IOCG7/RG7	37	D+/IOCG2/RG2
6	VLAP2/C2IND/RP19/ICM2/OCM2/PMA3/IOCG8/RG8	38	VDD
7	MCLR	39	OSCI/CLKI/IOCC12/RC12
8	SEG1/C1INC/C2INC/C3INC/RP27/DAC1/PMA2/PMALU/IOCG9/RG9	40	OSCO/CLKO/IOCC15/RC15
9	Vss	41	Vss
10	VDD	42	SEG13/CLC4OUT/RP2/RTCC/U6RTS/U6BCLK/ICM5/IOCD8/RD8
11	PGEC3/SEG2/AN5/C1INA/RP18/ICM3/OCM3/IOCB5/RB5	43	SEG14/RP4/SDA1/PMACK2/IOCD9/RD9
12	PGED3/SEG3/AN4/C1INB/RP28/USBOEN/IOCB4/RB4	44	SEG15/C3IND/RP3/SCL1/PMA15/APMCS2/IOCD10/RD10
13	SEG4/AN3/C2INA/IOCB3/RB3	45	SEG16/C3INC/RP12/PMA14/PMCS/APMCS1/IOCD11/RD11
14	SEG5/AN2/CTCMP/C2INB/RP13/CTED13/IOCB2/RB2	46	SEG17/CLC3OUT/RP11/U6CTS/ICM6/INT0/IOCD0/RD0
15	PGEC1/SEG6/VREF-/CVREF-/AN1/AN1-/RP1/CTED12/IOCB1/RB1	47	SOSCI/IOCC13/RC13
16	PGED1/SEG7/VREF+/CVREF+/DVREF+/AN0/RP0/PMA6/IOCB0/RB0	48	SOSCO/SCLKI/RP13/PWRLCLK/IOCC14/RC14
17	PGEC2/LCDBIAS3/AN6/RP6/IOCB6/RB6	49	SEG20/RP24/U5TX/ICM4/IOCD1/RD1
18	PGED2/SEG63/AN7/RP7/U6TX/IOCB7/RB7	50	SEG21/RP23/PMACK1/IOCD2/RD2
19	AVDD	51	SEG22/RP22/ICM7/PMBE0/IOCD3/RD3
20	AVss	52	SEG23/RP25/PMWR/PMENB/IOCD4/RD4
21	COM7/SEG31/AN8/RP8/PWRGT/IOCB8/RB8	53	SEG24/RP20/PMRD/PMWR/IOCD5/RD5
22	COM6/SEG30/AN9/TMPR/RP9/T1CK/PMA7/IOCB9/RB9	54	SEG25/C3INB/U5RX/OC4/IOCD6/RD6
23	TMS/COM5/SEG29/CVREF/AN10/SDO4/PMA13/IOCB10/RB10 ⁽¹⁾	55	SEG26/C3INA/U5RTS/U5BCLK/OC5/IOCD7/RD7
24	TDO/AN11/REF11/SS4/FSYNC4/PMA12/IOCB11/RB11	56	VCAP
25	Vss	57	VBAT
26	VDD	58	SEG27/U5CTS/OC6/IOCF0/RF0
27	TCK/SEG18/AN12/U6RX/CTED2/PMA11/IOCB12/RB12	59	COM4/SEG47/SCK4/IOCF1/RF1
28	TDI/SEG19/AN13/SDI4/CTED1/PMA10/IOCB13/RB13	60	COM3/PMD0/IOCE0/RE0
29	SEG8/AN14/RP14/CTED5/CTPLS/PMA1/PMALH/IOCB14/RB14	61	COM2/PMD1/IOCE1/RE1
30	SEG9/AN15/RP29/CTED6/PMA0/PMALL/IOCB15/RB15	62	COM1/PMD2/IOCE2/RE2
31	SEG10/RP10/SDA2/PMA9/IOCF4/RF4	63	COM0/CTED9/PMD3/IOCE3/RE3
32	SEG11/SCL2/PMA8/IOCF5/RF5	64	SEG62/LVDIN/CTED8/PMD4/IOCE4/RE4

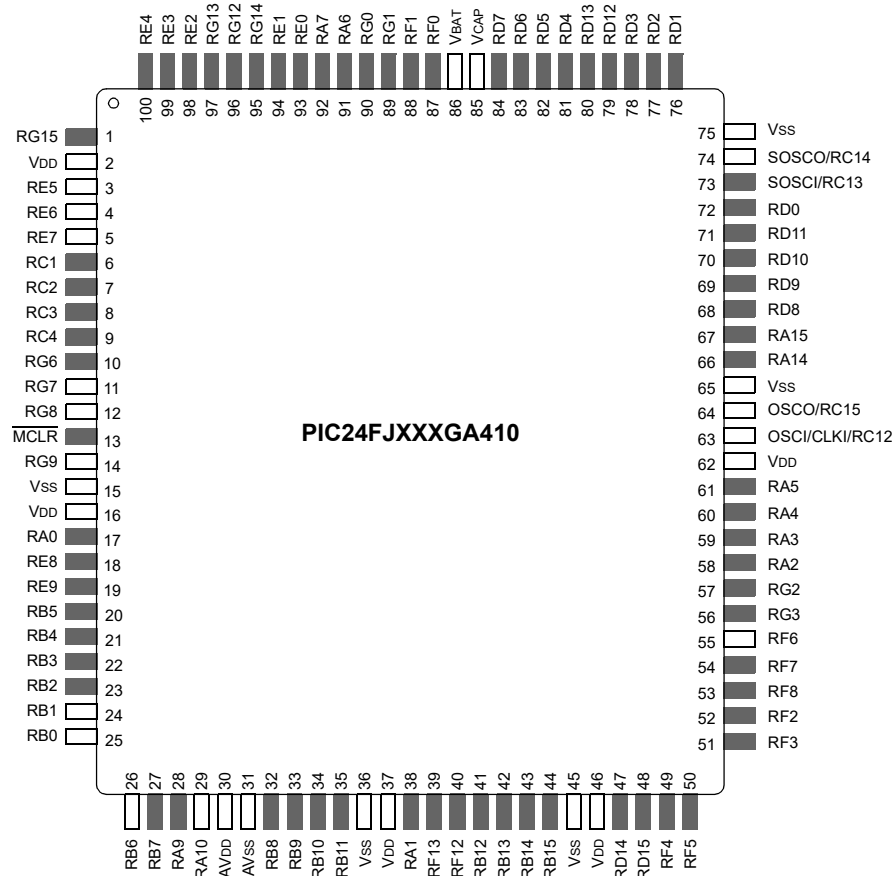
Legend: RPn and RPin represent remappable pins for Peripheral Pin Select functions.

Note 1: A pull-up resistor is connected to this pin during programming.

PIC24FJ256GA412/GB412 FAMILY

Pin Diagrams (Continued)

100-Pin TQFP



Legend: Shaded pins indicate pins tolerant to up to +5.5 VDC. See [Table 3](#) for a complete description of pin functions.

PIC24FJ256GA412/GB412 FAMILY

TABLE 3: COMPLETE PIN FUNCTION DESCRIPTIONS FOR PIC24FJXXXGA410 DEVICES

Pin	Function	Pin	Function
1	SEG50/OCM1C/CTED3/IOCG15/RG15	51	SEG12/ RP16 /IOCF3/RF3
2	VDD	52	SEG40/ RP30 /IOCF2/RF2
3	LCDBIAS2/IC4/CTED4/PMD5/IOCE5/RE5	53	SEG41/ RP15 /IOCF8/RF8
4	LCDBIAS1/SCL3/IC5/PMD6/IOCE6/RE6	54	IOCF7/RF7
5	LCDBIAS0/SDA3/IC6/PMD7/IOCE7/RE7	55	IOCF6/RF6
6	SEG32/ RP138 /OCM1D/IOCC1/RC1	56	SDA1/IOCG3/RG3
7	SEG51/ RP139 /IOCC2/RC2	57	SCL1/IOCG2/RG2
8	SEG33/ RP140 /IOCC3/RC3	58	SEG55/SCL2/IOCA2/RA2
9	SEG52/AN16/ RP141 /PMCS2/IOCC4/RC4	59	SEG56/SDA2/PMA20/IOCA3/RA3
10	SEG0/AN17/C1IND/ RP21 /ICM1/OCM1A/PMA5/IOCG6/RG6	60	TDI/PMA21/IOCA4/RA4
11	VLCAP1/AN18/C1INC/ RP26 /OCM1B/PMA4/IOCG7/RG7	61	TDO/SEG28/IOCA5/RA5
12	VLCAP2/AN19/C2IND/ RP19 /ICM2/OCM2/PMA3/IOCG8/RG8	62	VDD
13	MCLR	63	OSCI/CLKI/IOCC12/RC12
14	SEG1/AN20/C1INC/C2INC/C3INC/ RP27 /DAC1/PMA2/PMALU/IOCG9/RG9	64	OSCO/CLKO/IOCC15/RC15
15	VSS	65	VSS
16	VDD	66	SEG42/ RP136 /PMA22/IOCA14/RA14
17	TMS/SEG48/CTED14/IOCA0/RA0 ⁽¹⁾	67	SEG43/ RP135 /PMBE1/IOCA15/RA15
18	SEG34/ RP133 /PMCS1/IOCE8/RE8	68	SEG13/CLC4OUT/ RP2 /RTCC/U6RTS/U6BCLK/ICM5/IOCD8/RD8
19	SEG35/AN21/ RP134 /PMA19/IOCE9/RE9	69	SEG14/ RP4 /PMACK2/IOCD9/RD9
20	PGEC3/SEG2/AN5/C1INA/ RP18 /ICM3/OCM3/IOCB5/RB5	70	SEG15/C3IND/ RP3 /PMA15/APMCS2/IOCD10/RD10
21	PGED3/SEG3/AN4/C1INB/ RP28 /IOCB4/RB4	71	SEG16/C3INC/ RP12 /PMA14/PMCS/APMCS1/IOCD11/RD11
22	SEG4/AN3/C2INA/IOCB3/RB3	72	SEG17/CLC3OUT/ RP11 /U6CTS/ICM6/INT0/IOCD0/RD0
23	SEG5/AN2/CTCMP/C2INB/ RP13 /CTED13/IOCB2/RB2	73	SOSCI/IOCC13/RC13
24	PGEC1/SEG6/VREF-/CVREF-/AN1/AN1-/ RP1 /CTED12/IOCB1/RB1	74	SOSCO/SCLKI/ RP137 /PWRLCLK/IOCC14/RC14
25	PGED1/SEG7/VREF+/CVREF+/DVREF+/AN0/ RP0 /IOCB0/RB0	75	VSS
26	PGEC2/LCDBIAS3/AN6/ RP6 /IOCB6/RB6	76	SEG20/ RP24 /U5TX/ICM4/IOCD1/RD1
27	PGED2/SEG63/AN7/ RP7 /U6TX/IOCB7/RB7	77	SEG21/ RP23 /PMACK1/IOCD2/RD2
28	SEG36/VREF-/CVREF-/PMA7/IOCA9/RA9	78	SEG22/ RP22 /ICM7/PMBE0/IOCD3/RD3
29	SEG37/VREF+/CVREF+/DVREF+/PMA6/IOCA10/RA10	79	SEG44/ RP142 /PMD12/IOCD12/RD12
30	AVDD	80	SEG45/PMD13/IOCD13/RD13
31	AVSS	81	SEG23/ RP25 /PMWR/PMENB/IOCD4/RD4
32	COM7/SEG31/AN8/ RP8 /PWRGT/IOCB8/RB8	82	SEG24/ RP20 /PMRD/PMWR/IOCD5/RD5
33	COM6/SEG30/AN9/TMPR/ RP9 /T1CK/IOCB9/RB9	83	SEG25/C3INB/U5RX/OC4/PMD14/IOCD6/RD6
34	COM5/SEG29/CVREF/AN10/SDO4/PMA13/IOCB10/RB10	84	SEG26/C3INA/U5RTS/U5BCLK/OC5/PMD15/IOCD7/RD7
35	AN11/REF11/SS4/FSYNC4/PMA12/IOCB11/RB11	85	VCAP
36	VSS	86	VBAT
37	VDD	87	SEG27/U5CTS/OC6/PMD11/IOCF0/RF0
38	TCK/IOCA1/RA1	88	COM4/SEG47/SCK4/PMD10/IOCF1/RF1
39	SEG53/ RP31 /IOCF13/RF13	89	SEG46/PMD9/IOCG1/RG1
40	SEG54/ RP132 /CTED7/PMA18/IOCF12/RF12	90	SEG49/PMD8/IOCG0/RG0
41	SEG18/AN12/U6RX/CTED2/PMA11/IOCB12/RB12	91	SEG57/AN23/OCM1E/IOCA6/RA6
42	SEG19/AN13/SDI4/CTED1/PMA10/IOCB13/RB13	92	SEG58/AN22/OCM1F/PMA17/IOCA7/RA7
43	SEG8/AN14/ RP14 /CTED5/CTPLS/PMA1/PMALH/IOCB14/RB14	93	COM3/PMD0/IOCE0/RE0
44	SEG9/AN15/ RP29 /CTED6/PMA0/PMALL/IOCB15/RB15	94	COM2/PMD1/IOCE1/RE1
45	VSS	95	SEG59/CTED11/PMA16/IOCG14/RG14
46	VDD	96	SEG60/IOCG12/RG12
47	SEG38/ RP143 /IOCD14/RD14	97	SEG61/CTED10/IOCG13/RG13
48	SEG39/ RP5 /IOCD15/RD15	98	COM1/PMD2/IOCE2/RE2
49	SEG10/ RP10 /PMA9/IOCF4/RF4	99	COM0/CTED9/PMD3/IOCE3/RE3
50	SEG11/ RP17 /PMA8/IOCF5/RF5	100	SEG62/LVDIN/CTED8/PMD4/IOCE4/RE4

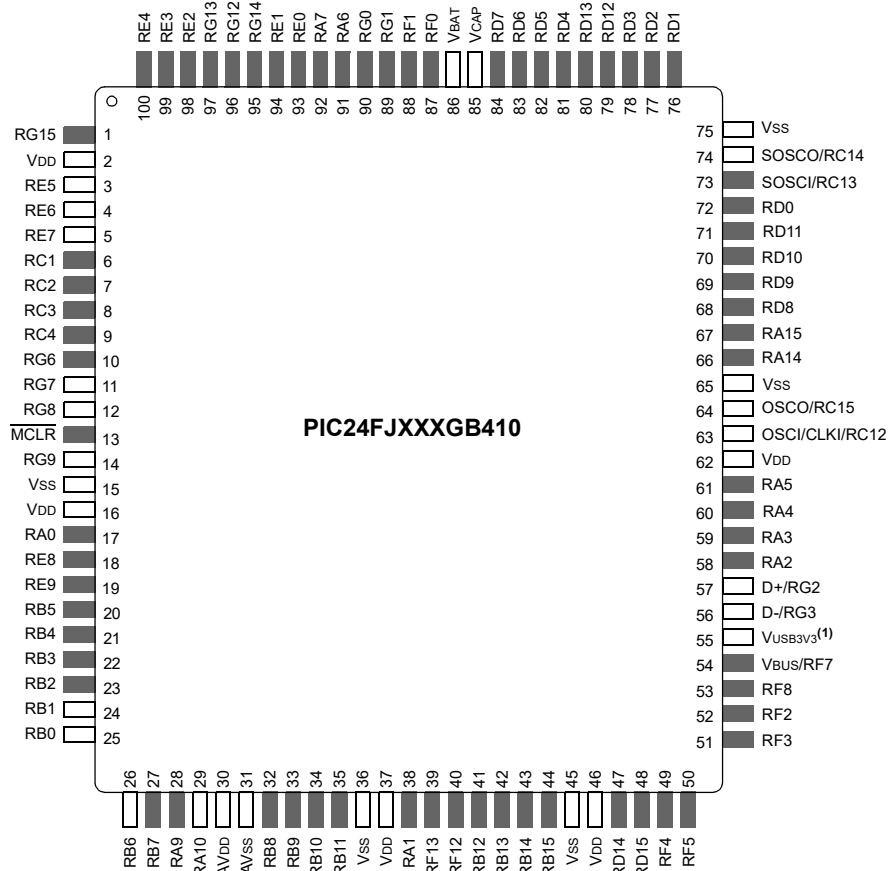
Legend: **RPn** and **RPIn** represent remappable pins for Peripheral Pin Select functions.

Note 1: A pull-up resistor is connected to this pin during programming.

PIC24FJ256GA412/GB412 FAMILY

Pin Diagrams (Continued)

100-Pin TQFP



Legend: Shaded pins indicate pins tolerant to up to +5.5 VDC. See Table 4 for a complete description of pin functions.

Note 1: PIC24FJ256GB410 devices use VUSB3V3 instead of RF6.

PIC24FJ256GA412/GB412 FAMILY

TABLE 4: COMPLETE PIN FUNCTION DESCRIPTIONS FOR PIC24FJXXXGB410 DEVICES

Pin	Function	Pin	Function
1	SEG50/OCM1C/CTED3/IOCG15/RG15	51	SEG12/ RP16 /USBID/IOCF3/RF3
2	VDD	52	SEG40/ RP30 /IOCF2/RF2
3	LCDBIAS2/IC4/CTED4/PMD5/IOCE5/RE5	53	SEG41/ RP15 /IOCF8/RF8
4	LCDBIAS1/SCL3/IC5/PMD6/IOCE6/RE6	54	VBus/IOCF7/RF7
5	LCDBIAS0/SDA3/IC6/PMD7/IOCE7/RE7	55	VUSB3V3
6	SEG32/ RP138 /OCM1D/IOCC1/RC1	56	D-/IOCG3/RG3
7	SEG51/ RP139 /IOCC2/RC2	57	D+/IOCG2/RG2
8	SEG33/ RP140 /IOCC3/RC3	58	SEG55/SCL2/IOCA2/RA2
9	SEG52/AN16/ RP141 /PMCS2/IOCC4/RC4	59	SEG56/SDA2/PMA20/IOCA3/RA3
10	SEG0/AN17/C1IND/ RP21 /ICM1/OCM1A/PMA5/IOCG6/RG6	60	TDI/PMA21/IOCA4/RA4
11	VLCAP1/AN18/C1INC/ RP26 /OCM1B/PMA4/IOCG7/RG7	61	TDO/SEG28/IOCA5/RA5
12	VLCAP2/AN19/C2IND/ RP19 /ICM2/OCM2/PMA3/IOCG8/RG8	62	VDD
13	MCLR	63	OSCI/CLKI/IOCC12/RC12
14	SEG1/AN20/C1INC/C2INC/C3INC/ RP27 /DAC1/PMA2/PMALU/IOCG9/RG9	64	OSCO/CLKO/IOCC15/RC15
15	VSS	65	VSS
16	VDD	66	SEG42/ RP136 /SCL1/PMA22/IOCA14/RA14
17	TMS/SEG48/CTED14/IOCA0/RA0 ⁽¹⁾	67	SEG43/ RP135 /SDA1/PMBE1/IOCA15/RA15
18	SEG34/ RP133 /PMCS1/IOCE8/RE8	68	SEG13/CLC4OUT/ RP2 /RTCC/U6RTS/U6BCLK/ICM5/IOCD8/RD8
19	SEG35/AN21/ RP134 /PMA19/IOCE9/RE9	69	SEG14/ RP4 /PMACK2/IOCD9/RD9
20	PGEC3/SEG2/AN5/C1INA/ RP18 /ICM3/OCM3/IOCB5/RB5	70	SEG15/C3IND/ RP3 /PMA15/APMCS2/IOCD10/RD10
21	PGED3/SEG3/AN4/C1INB/ RP28 /USBOEN/IOCB4/RB4	71	SEG16/C3INC/ RP12 /PMA14/PMCS/APMCS1/IOCD11/RD11
22	SEG4/AN3/C2INA/IOCB3/RB3	72	SEG17/CLC3OUT/ RP11 /U6CTS/ICM6/INT0/IOCD0/RD0
23	SEG5/AN2/CTCMP/C2INB/ RP13 /CTED13/IOCB2/RB2	73	SOSCI/IOCC13/RC13
24	PGEC1/SEG6/VREF-/CVREF-/AN1/AN1-/ RP1 /CTED12/IOCB1/RB1	74	SOSCO/SCLKI/ RP137 /PWRLCLK/IOCC14/RC14
25	PGED1/SEG7/VREF+/CVREF+/DVREF+/AN0/ RP0 /IOCB0/RB0	75	VSS
26	PGEC2/LCDBIAS3/AN6/ RP6 /IOCB6/RB6	76	SEG20/ RP24 /U5TX/ICM4/IOCD1/RD1
27	PGED2/SEG63/AN7/ RP7 /U6TX/IOCB7/RB7	77	SEG21/ RP23 /PMACK1/IOCD2/RD2
28	SEG36/VREF-/CVREF-/PMA7/IOCA9/RA9	78	SEG22/ RP22 /ICM7/PMBE0/IOCD3/RD3
29	SEG37/VREF+/CVREF+/DVREF+/PMA6/IOCA10/RA10	79	SEG44/ RP142 /PMD12/IOCD12/RD12
30	AVDD	80	SEG45/PMD13/IOCD13/RD13
31	AVSS	81	SEG23/ RP25 /PMWR/PMENB/IOCD4/RD4
32	COM7/SEG31/AN8/ RP8 /PWRGT/IOCB8/RB8	82	SEG24/ RP20 /PMRD/PMWR/IOCD5/RD5
33	COM6/SEG30/AN9/TMPR/ RP9 /T1CK/IOCB9/RB9	83	SEG25/C3INB/U5RX/OC4/PMD14/IOCD6/RD6
34	COM5/SEG29/CVREF/AN10/SDO4/PMA13/IOCB10/RB10	84	SEG26/C3INA/U5RTS/U5BCLK/OC5/PMD15/IOCD7/RD7
35	AN11/REF1/SS4/FSYNC4/PMA12/IOCB11/RB11	85	VCAP
36	VSS	86	VBAT
37	VDD	87	SEG27/U5CTS/OC6/PMD11/IOCF0/RF0
38	TCK/IOCA1/RA1	88	COM4/SEG47/SCK4/PMD10/IOCF1/RF1
39	SEG53/ RP31 /IOCF13/RF13	89	SEG46/PMD9/IOCG1/RG1
40	SEG54/ RP132 /CTED7/PMA18/IOCF12/RF12	90	SEG49/PMD8/IOCG0/RG0
41	SEG18/AN12/U6RX/CTED2/PMA11/IOCB12/RB12	91	SEG57/AN23/OCM1E/IOCA6/RA6
42	SEG19/AN13/SDI4/CTED1/PMA10/IOCB13/RB13	92	SEG58/AN22/OCM1F/PMA17/IOCA7/RA7
43	SEG8/AN14/ RP14 /CTED5/CTPLS/PMA1/PMALH/IOCB14/RB14	93	COM3/PMD0/IOCE0/RE0
44	SEG9/AN15/ RP29 /CTED6/PMA0/PMALL/IOCB15/RB15	94	COM2/PMD1/IOCE1/RE1
45	VSS	95	SEG59/CTED11/PMA16/IOCG14/RG14
46	VDD	96	SEG60/IOCG12/RG12
47	SEG38/ RP143 /IOCD14/RD14	97	SEG61/CTED10/IOCG13/RG13
48	SEG39/ RP5 /IOCD15/RD15	98	COM1/PMD2/IOCE2/RE2
49	SEG10/ RP10 /PMA9/IOCF4/RF4	99	COM0/CTED9/PMD3/IOCE3/RE3
50	SEG11/ RP17 /PMA8/IOCF5/RF5	100	SEG62/LVDIN/CTED8/PMD4/IOCE4/RE4

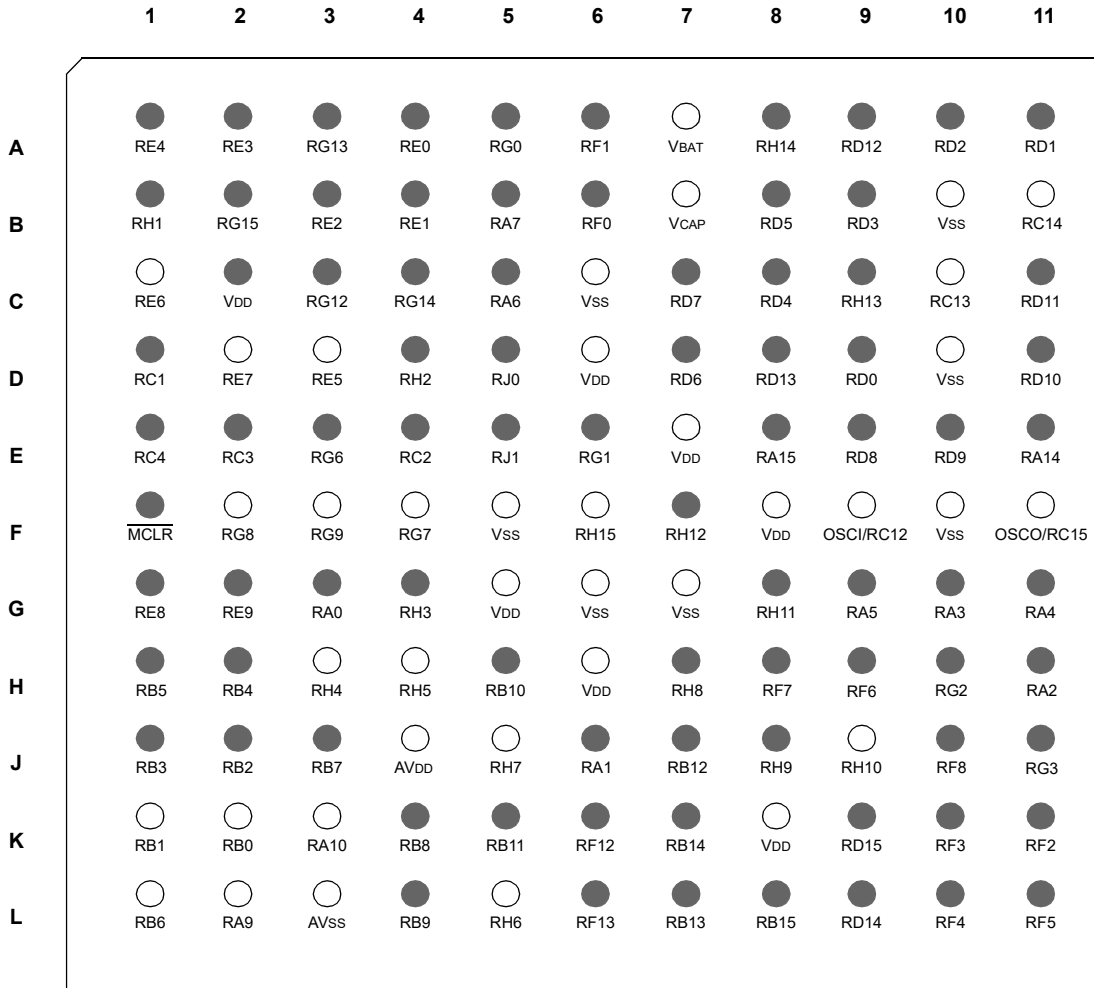
Legend: **RPn** and **RPIn** represent remappable pins for Peripheral Pin Select functions.

Note 1: A pull-up resistor is connected to this pin during programming.

PIC24FJ256GA412/GB412 FAMILY

Pin Diagrams (Continued)

PIC24FJXXXGA412, 121-Pin TFBGA



Legend: Shaded balls indicate pins tolerant to up to +5.5 VDC. See [Table 5](#) for a complete description of pin functions.

PIC24FJ256GA412/GB412 FAMILY

TABLE 5: COMPLETE PIN FUNCTION DESCRIPTIONS FOR PIC24FJXXXGA412

Pin	Function	Pin	Function
A1	SEG62/LVDIN/CTED8/PMD4/IOCE4/RE4	E1	SEG52/AN16/RPI41/PMCS2/IOCC4/RC4
A2	COM0/CTED9/PMD3/IOCE3/RE3	E2	SEG33/RPI40/IOCC3/RC3
A3	SEG61/CTED10/IOCG13/RG13	E3	SEG0/AN17/C1IND/RP21/ICM1/OCM1A/PMA5/IOCG6/RG6
A4	COM3/PMD0/IOCE0/RE0	E4	SEG51/RPI39/IOCC2/RC2
A5	SEG49/PMD8/IOCG0/RG0	E5	IOJ1/RJ1
A6	SEG47/SCK4/PMD10/IOCF1/RF1	E6	SEG46/PMD9/IOCG1/RG1
A7	VBAT	E7	VDD
A8	IOCH14/RH14	E8	SEG43/RPI35/PMBE1/IOCA15/RA15
A9	SEG44/RPI42/PMD12/IOCD12/RD12	E9	SEG13/CLC4OUT/RP2/RTCC/U6RTS/U6BCLK/ICM5/IOCD8/RD8
A10	SEG21/RP23/PMACK1/IOCD2/RD2	E10	SEG14/RP4/PMACK2/IOCD9/RD9
A11	SEG20/RP24/U5TX/ICM4/IOCD1/RD1	E11	SEG42/RPI36/PMA22/IOCA14/RA14
B1	COM4/IOCH1/RH1	F1	MCLR
B2	SEG50/OCM1C/CTED3/IOCG15/RG15	F2	VLCAP2/AN19/C2IND/RP19/ICM2/OCM2/PMA3/IOCG8/RG8
B3	COM1/PMD2/IOCE2/RE2	F3	SEG1/AN20/C1INC/C2INC/C3INC/RP27/DAC1/PMA2/PMALU/IOCG9/RG9
B4	COM2/PMD1/IOCE1/RE1	F4	VLCAP1/AN18/C1INC/RP26/OCM1B/PMA4/IOCG7/RG7
B5	SEG58/AN22/OCM1F/PMA17/IOCA7/RA7	F5	VSS
B6	SEG27/U5CTS/OC6/PMD11/IOCF0/RF0	F6	IOCH15/RH15
B7	VCAP	F7	IOCH12/RH12
B8	SEG24/RP20/PMRD/PMWR/IOCD5/RD5	F8	VDD
B9	SEG22/RP22/ICM7/PMBE0/IOCD3/RD3	F9	OSCI/CLKI/IOCC12/RC12
B10	VSS	F10	VSS
B11	SOSCO/SCLKI/RPI37/PWRLCLK/IOCC14/RC14	F11	OSCO/CLKO/IOCC15/RC15
C1	LCDBIAS1/SCL3/C5/PMD6/IOCE6/RE6	G1	SEG34/RPI33/PMCS1/IOCE8/RE8
C2	VDD	G2	SEG35/AN21/RPI34/PMA19/IOCE9/RE9
C3	SEG60/IOCG12/RG12	G3	TMS/SEG48/CTED14/IOCA0/RA0 ⁽¹⁾
C4	SEG59/CTED11/PMA16/IOCG14/RG14	G4	COM6/IOCH3/RH3
C5	SEG57/AN23/OCM1E/IOCA6/RA6	G5	VDD
C6	VSS	G6	VSS
C7	SEG26/C3INA/U5RTS/U5BCLK/OC5/PMD15/IOCD7/RD7	G7	VSS
C8	SEG23/RP25/PMWR/PMENB/IOCD4/RD4	G8	IOCH11/RH11
C9	IOCH13/RH13	G9	TDO/SEG28/IOCA5/RA5
C10	SOSCI/IOCC13/RC13	G10	SEG56/SDA2/PMA20/IOCA3/RA3
C11	SEG16/C3INC/RP12/PMA14/PMCS/APMCS1/IOCD11/RD11	G11	TDI/PMA21/IOCA4/RA4
D1	SEG32/RPI38/OCM1D/IOCC1/RC1	H1	PGEC3/SEG2/AN5/C1INA/RP18/ICM3/OCM3/IOCB5/RB5
D2	LCDBIAS0/SDA3/IC6/PMD7/IOCE7/RE7	H2	PGED3/SEG3/AN4/C1INB/RP28/IOCB4/RB4
D3	LCDBIAS2/IC4/CTED4/PMD5/IOCE5/RE5	H3	COM7/IOCH4/RH4
D4	COM5/IOCH2/RH2	H4	IOCH5/RH5
D5	IOJ0/RJ0	H5	SEG29/CVREF/AN10/SDO4/PMA13/IOCB10/RB10
D6	VDD	H6	VDD
D7	SEG25/C3INB/U5RX/OC4/PMD14/IOCD6/RD6	H7	IOCH8/RH8
D8	SEG45/PMD13/IOCD13/RD13	H8	IOCF7/RF7
D9	SEG17/CLC3OUT/RP11/U6CTS/ICM6/INT0/IOCD0/RD0	H9	IOCF6/RF6
D10	VSS	H10	SCL1/IOCG2/RG2
D11	SEG15/C3IND/RP3/PMA15/APMCS2/IOCD10/RD10	H11	SEG55/SCL2/IOCA2/RA2

Legend: **RPn** and **RPIn** represent remappable pins for Peripheral Pin Select functions.

Note 1: A pull-up resistor is connected to this pin during programming.

PIC24FJ256GA412/GB412 FAMILY

TABLE 5: COMPLETE PIN FUNCTION DESCRIPTIONS FOR PIC24FJXXXGA412 (CONTINUED)

Pin	Function	Pin	Function
J1	SEG4/AN3/C2INA/IOCB3/RB3	K7	SEG8/AN14/ RP14 /CTED5/CTPLS/PMA1/PMALH/IOCB14/RB14
J2	SEG5/AN2/CTCMP/C2INB/ RP13 /CTED13/IOCB2/RB2	K8	VDD
J3	PGED2/SEG63/AN7/ RP7 /U6TX/IOCB7/RB7	K9	SEG39/ RP5 /IOCD15/RD15
J4	AVDD	K10	SEG12/ RP16 /IOCF3/RF3
J5	IOCH7/RH7	K11	SEG40/ RP30 /IOCF2/RF2
J6	TCK/IOCA1/RA1	L1	PGEC2/LCDBIAS3/AN6/ RP6 /IOCB6/RB6
J7	SEG18/AN12/U6RX/CTED2/PMA11/IOCB12/RB12	L2	SEG36/VREF-/CVREF-/PMA7/IOCA9/RA9
J8	IOCH9/RH9	L3	AVss
J9	IOCH10/RH10	L4	SEG30/AN9/ $\overline{\text{TMPR}}$ / RP9 /T1CK/IOCB9/RB9
J10	SEG41/ RP15 /IOCF8/RF8	L5	IOCH6/RH6
J11	SDA1/IOCG3/RG3	L6	SEG53/ RP31 /IOCF13/RF13
K1	PGEC1/SEG6/VREF-/CVREF-/AN1/AN1-/ RP1 /CTED12/IOCB1/RB1	L7	SEG19/AN13/SDI4/CTED1/PMA10/IOCB13/RB13
K2	PGED1/SEG7/VREF+/CVREF+/DVREF+/AN0/RP0/IOCB0/RB0	L8	SEG9/AN15/ RP29 /CTED6/PMA0/PMALL/IOCB15/RB15
K3	SEG37/VREF+/CVREF+/DVREF+/PMA6/IOCA10/RA10	L9	SEG38/ RP143 /IOCD14/RD14
K4	SEG31/AN8/ RP8 /PWRGT/IOCB8/RB8	L10	SEG10/ RP10 /PMA9/IOCF4/RF4
K5	AN11/REF11/ $\overline{\text{SS4}}$ /FSYNC4/PMA12/IOCB11/RB11	L11	SEG11/ RP17 /PMA8/IOCF5/RF5
K6	SEG54/ RP132 /CTED7/PMA18/IOCF12/RF12		

Legend: **RPn** and **RPIn** represent remappable pins for Peripheral Pin Select functions.

Note 1: A pull-up resistor is connected to this pin during programming.

PIC24FJ256GA412/GB412 FAMILY

Pin Diagrams (Continued)

PIC24FJXXGB412, 121-Pin TFBGA

	1	2	3	4	5	6	7	8	9	10	11
A	● RE4	● RE3	● RG13	● RE0	● RG0	● RF1	○ VBAT	● RH14	● RD12	● RD2	● RD1
B	● RH1	● RG15	● RE2	● RE1	● RA7	● RF0	○ VCAP	● RD5	● RD3	○ Vss	○ RC14
C	○ RE6	● VDD	● RG12	● RG14	● RA6	○ Vss	● RD7	● RD4	● RH13	○ RC13	● RD11
D	● RC1	○ RE7	○ RE5	● RH2	● RJ0	○ VDD	● RD6	● RD13	● RD0	○ Vss	● RD10
E	● RC4	● RC3	● RG6	● RC2	● RJ1	● RG1	○ VDD	● RA15	● RD8	● RD9	● RA14
F	● MCLR	○ RG8	○ RG9	○ RG7	○ Vss	○ RH15	● RH12	○ VDD	○ OSCI/RC12	○ Vss	○ OSCO/RC15
G	● RE8	● RE9	● RA0	● RH3	○ VDD	○ Vss	○ Vss	● RH11	● RA5	● RA3	● RA4
H	● RB5	● RB4	○ RH4	○ RH5	● RB10	○ VDD	● RH8	● VBUS/RF7	○ VUSB3V3 ⁽¹⁾	○ D+/RG2	● RA2
J	● RB3	● RB2	● RB7	○ AVDD	○ RH7	● RA1	● RB12	● RH9	○ RH10	● RF8	○ D-/RG3
K	○ RB1	○ RB0	○ RA10	● RB8	● RB11	● RF12	● RB14	○ VDD	● RD15	● RF3	● RF2
L	○ RB6	○ RA9	○ AVSS	● RB9	○ RH6	● RF13	● RB13	● RB15	● RD14	● RF4	● RF5

Legend: Shaded balls indicate pins tolerant to up to +5.5 VDC. See Table 6 for a complete description of pin functions.

Note 1: PIC24FJ256GB412 devices use VUSB3V3 instead of RF6.

PIC24FJ256GA412/GB412 FAMILY

TABLE 6: COMPLETE PIN FUNCTION DESCRIPTIONS FOR PIC24FJXXXGB412

Pin	Function	Pin	Function
A1	SEG62/LVDIN/CTED8/PMD4/IOCE4/RE4	E1	SEG52/AN16/RPI41/PMCS2/IOCC4/RC4
A2	COM0/CTED9/PMD3/IOCE3/RE3	E2	SEG33/RPI40/IOCC3/RC3
A3	SEG61/CTED10/IOCG13/RG13	E3	SEG0/AN17/C1IND/RP21/ICM1/OCM1A/PMA5/IOCG6/RG6
A4	COM3/PMD0/IOCE0/RE0	E4	SEG51/RPI39/IOCC2/RC2
A5	SEG49/PMD8/IOCG0/RG0	E5	IOCJ1/RJ1
A6	SEG47/SCK4/PMD10/IOCF1/RF1	E6	SEG46/PMD9/IOCG1/RG1
A7	V _{BAT}	E7	V _{DD}
A8	IOCH14/RH14	E8	SEG43/RPI35/SDA1/PMBE1/IOCA15/RA15
A9	SEG44/RPI42/PMD12/IOCD12/RD12	E9	SEG13/CLC4OUT/RP2/RTCC/U6RTS/U6BCLK/ICM5/IOCD8/RD8
A10	SEG21/RP23/PMACK1/IOCD2/RD2	E10	SEG14/RP4/PMACK2/IOCD9/RD9
A11	SEG20/RP24/U5TX/ICM4/IOCD1/RD1	E11	SEG42/RPI36/SCL1/PMA22/IOCA14/RA14
B1	COM4/IOCH1/RH1	F1	MCLR
B2	SEG50/OCM1C/CTED3/IOCG15/RG15	F2	VLCAP2/AN19/C2IND/RP19/ICM2/OCM2/PMA3/IOCG8/RG8
B3	COM1/PMD2/IOCE2/RE2	F3	SEG1/AN20/C1INC/C2INC/C3INC/RP27/DAC1/PMA2/PMALU/IOCG9/RG9
B4	COM2/PMD1/IOCE1/RE1	F4	VLCAP1/AN18/C1INC/RP26/OCM1B/PMA4/IOCG7/RG7
B5	SEG58/AN22/OCM1F/PMA17/IOCA7/RA7	F5	V _{SS}
B6	SEG27/U5CTS/OC6/PMD11/IOCF0/RF0	F6	IOCH15/RH15
B7	V _{CAP}	F7	IOCH12/RH12
B8	SEG24/RP20/PMRD/PMWR/IOCD5/RD5	F8	V _{DD}
B9	SEG22/RP22/ICM7/PMBE0/IOCD3/RD3	F9	OSCI/CLKI/IOCC12/RC12
B10	V _{SS}	F10	V _{SS}
B11	SOSCO/SCLKI/RPI37/PWRLCLK/IOCC14/RC14	F11	OSCO/CLKO/IOCC15/RC15
C1	LCDBIAS1/SCL3/IC5/PMD6/IOCE6/RE6	G1	SEG34/RPI33/PMCS1/IOCE8/RE8
C2	V _{DD}	G2	SEG35/AN21/RPI34/PMA19/IOCE9/RE9
C3	SEG60/IOCG12/RG12	G3	TMS/SEG48/CTED14/IOCA0/RA0 ⁽¹⁾
C4	SEG59/CTED11/PMA16/IOCG14/RG14	G4	COM6/IOCH3/RH3
C5	SEG57/AN23/OCM1E/IOCA6/RA6	G5	V _{DD}
C6	V _{SS}	G6	V _{SS}
C7	SEG26/C3INA/U5RTS/U5BCLK/OC5/PMD15/IOCD7/RD7	G7	V _{SS}
C8	SEG23/RP25/PMWR/PMENB/IOCD4/RD4	G8	IOCH11/RH11
C9	IOCH13/RH13	G9	TDO/SEG28/IOCA5/RA5
C10	SOSCI/IOCC13/RC13	G10	SEG56/SDA2/PMA20/IOCA3/RA3
C11	SEG16/C3INC/RP12/PMA14/PMCS/APMCS1/IOCD11/RD11	G11	TDI/PMA21/IOCA4/RA4
D1	SEG32/RPI38/OCM1D/IOCC1/RC1	H1	PGEC3/SEG2/AN5/C1INA/RP18/ICM3/OCM3/IOCB5/RB5
D2	LCDBIAS0/SDA3/IC6/PMD7/IOCE7/RE7	H2	PGED3/SEG3/AN4/C1INB/RP28/USBOE/IOCB4/RB4
D3	LCDBIAS2/IC4/CTED4/PMD5/IOCE5/RE5	H3	COM7/IOCH4/RH4
D4	COM5/IOCH2/RH2	H4	IOCH5/RH5
D5	IOCJ0/RJ0	H5	SEG29/CVREF/AN10/SDO4/PMA13/IOCB10/RB10
D6	V _{DD}	H6	V _{DD}
D7	SEG25/C3INB/U5RX/OC4/PMD14/IOCD6/RD6	H7	IOCH8/RH8
D8	SEG45/PMD13/IOCD13/RD13	H8	V _{BUS} /IOCF7/RF7
D9	SEG17/CLC3OUT/RP11/U6CTS/ICM6/INT0/IOCD0/RD0	H9	V _{USB3V3}
D10	V _{SS}	H10	D+/IOCG2/RG2
D11	SEG15/C3IND/RP3/PMA15/APMCS2/IOCD10/RD10	H11	SEG55/SCL2/IOCA2/RA2

Legend: **RPn** and **RPin** represent remappable pins for Peripheral Pin Select functions.

Note 1: A pull-up resistor is connected to this pin during programming.

PIC24FJ256GA412/GB412 FAMILY

TABLE 6: COMPLETE PIN FUNCTION DESCRIPTIONS FOR PIC24FJXXXGB412 (CONTINUED)

Pin	Function	Pin	Function
J1	SEG4/AN3/C2INA/IOCB3/RB3	K7	SEG8/AN14/ RP14 /CTED5/CTPLS/PMA1/PMALH/IOCB14/RB14
J2	SEG5/AN2/CTCMP/C2INB/ RP13 /CTED13/IOCB2/RB2	K8	VDD
J3	PGED2/SEG63/AN7/ RP7 /U6TX/IOCB7/RB7	K9	SEG39/ RP5 /IOCD15/RD15
J4	AVDD	K10	SEG12/ RP16 /USBID/IOCF3/RF3
J5	IOCH7/RH7	K11	SEG40/ RP30 /IOCF2/RF2
J6	TCK/IOCA1/RA1	L1	PGEC2/LCDBIAS3/AN6/ RP6 /IOCB6/RB6
J7	SEG18/AN12/U6RX/CTED2/PMA11/IOCB12/RB12	L2	SEG36/VREF-/CVREF-/PMA7/IOCA9/RA9
J8	IOCH9/RH9	L3	AVSS
J9	IOCH10/RH10	L4	SEG30/AN9/ $\overline{\text{TMPR}}$ / RP9 /T1CK/IOCB9/RB9
J10	SEG41/ RP15 /IOCF8/RF8	L5	IOCH6/RH6
J11	D-/IOCG3/RG3	L6	SEG53/ RP31 /IOCF13/RF13
K1	PGEC1/SEG6/VREF-/CVREF-/AN1/AN1-/ RP1 /CTED12/IOCB1/RB1	L7	SEG19/AN13/SDI4/CTED1/PMA10/IOCB13/RB13
K2	PGED1/SEG7/VREF+/CVREF+/DVREF+/AN0/ RP0 /IOCB0/RB0	L8	SEG9/AN15/ RP29 /CTED6/PMA0/PMALL/IOCB15/RB15
K3	SEG37/VREF+/CVREF+/DVREF+/PMA6/IOCA10/RA10	L9	SEG38/ RP143 /IOCD14/RD14
K4	SEG31/AN8/ RP8 /PWRGT/IOCB8/RB8	L10	SEG10/ RP10 /PMA9/IOCF4/RF4
K5	AN11/REF11/ $\overline{\text{SS4}}$ /FSYNC4/PMA12/IOCB11/RB11	L11	SEG11/ RP17 /PMA8/IOCF5/RF5
K6	SEG54/ RP132 /CTED7/PMA18/IOCF12/RF12		

Legend: **RPn** and **RPIn** represent remappable pins for Peripheral Pin Select functions.

Note 1: A pull-up resistor is connected to this pin during programming.

PIC24FJ256GA412/GB412 FAMILY

Table of Contents

1.0	Device Overview	19
2.0	Guidelines for Getting Started with 16-Bit Microcontrollers	57
3.0	CPU	63
4.0	Memory Organization	69
5.0	Direct Memory Access Controller (DMA)	95
6.0	Flash Program Memory	103
7.0	Resets	107
8.0	Interrupt Controller	113
9.0	Oscillator Configuration	183
10.0	Power-Saving Features	197
11.0	I/O Ports	215
12.0	Timer1	249
13.0	Timer2/3 and Timer4/5	253
14.0	Capture/Compare/PWM/Timer Modules (MCCP and SCCP)	259
15.0	Input Capture with Dedicated Timers	277
16.0	Output Compare with Dedicated Timers	283
17.0	Serial Peripheral Interface (SPI)	293
18.0	Inter-Integrated Circuit (I ² C)	309
19.0	Universal Asynchronous Receiver Transmitter (UART)	317
20.0	Universal Serial Bus with On-The-Go Support (USB OTG)	329
21.0	Enhanced Parallel Master Port (EPMP)	363
22.0	Liquid Crystal Display (LCD) Controller	375
23.0	Configurable Logic Cell (CLC)	383
24.0	Real-Time Clock and Calendar (RTCC) with Timestamp	393
25.0	Cryptographic Engine	405
26.0	32-Bit Programmable Cyclic Redundancy Check (CRC) Generator	423
27.0	12-Bit A/D Converter with Threshold Detect	429
28.0	10-Bit Digital-to-Analog Converter (DAC)	447
29.0	Triple Comparator Module	451
30.0	Comparator Voltage Reference	457
31.0	Charge Time Measurement Unit (CTMU)	459
32.0	High/Low-Voltage Detect (HLVD)	467
33.0	Special Features	469
34.0	Development Support	489
35.0	Instruction Set Summary	491
36.0	Electrical Characteristics	499
37.0	Packaging Information	529
	Appendix A: Revision History	543
	Index	545
	The Microchip WebSite	553
	Customer Change Notification Service	553
	Customer Support	553
	Product Identification System	555

PIC24FJ256GA412/GB412 FAMILY

TO OUR VALUED CUSTOMERS

It is our intention to provide our valued customers with the best documentation possible to ensure successful use of your Microchip products. To this end, we will continue to improve our publications to better suit your needs. Our publications will be refined and enhanced as new volumes and updates are introduced.

If you have any questions or comments regarding this publication, please contact the Marketing Communications Department via E-mail at docerrors@microchip.com. We welcome your feedback.

Most Current Data Sheet

To obtain the most up-to-date version of this data sheet, please register at our Worldwide Website at:

<http://www.microchip.com>

You can determine the version of a data sheet by examining its literature number found on the bottom outside corner of any page. The last character of the literature number is the version number, (e.g., DS30000000A is version A of document DS30000000).

Errata

An errata sheet, describing minor operational differences from the data sheet and recommended workarounds, may exist for current devices. As device/documentation issues become known to us, we will publish an errata sheet. The errata will specify the revision of silicon and revision of document to which it applies.

To determine if an errata sheet exists for a particular device, please check with one of the following:

- Microchip's Worldwide Website; <http://www.microchip.com>
- Your local Microchip sales office (see last page)

When contacting a sales office, please specify which device, revision of silicon and data sheet (include literature number) you are using.

Customer Notification System

Register on our website at www.microchip.com to receive the most current information on all of our products.

PIC24FJ256GA412/GB412 FAMILY

1.0 DEVICE OVERVIEW

This document contains device-specific information for the following devices:

- PIC24FJ64GA406
- PIC24FJ128GA406
- PIC24FJ256GA406
- PIC24FJ64GA410
- PIC24FJ128GA410
- PIC24FJ256GA410
- PIC24FJ64GA412
- PIC24FJ128GA412
- PIC24FJ256GA412
- PIC24FJ64GB406
- PIC24FJ128GB406
- PIC24FJ256GB406
- PIC24FJ64GB410
- PIC24FJ128GB410
- PIC24FJ256GB410
- PIC24FJ64GB412
- PIC24FJ128GB412
- PIC24FJ256GB412

The PIC24FJ256GA412/GB412 family expands the capabilities of the PIC24F family by adding a complete selection of advanced analog peripherals to its existing digital features. This combination, along with its ultra low-power features, Direct Memory Access (DMA) for peripherals, USB On-The-Go (OTG) and a built-in LCD Controller and driver, makes this family the new standard for mixed-signal PIC[®] microcontrollers in one economical and power-saving package.

1.1 Core Features

1.1.1 16-BIT ARCHITECTURE

Central to all PIC24F devices is the 16-bit modified Harvard architecture, first introduced with Microchip's dsPIC[®] Digital Signal Controllers (DSCs). The PIC24F CPU core offers a wide range of enhancements, such as:

- 16-bit data and 24-bit address paths with the ability to move information between data and memory spaces
- Linear addressing of up to 12 Mbytes (program space) and 32 Kbytes (data)
- A 16-element Working register array with built-in software stack support
- A 17 x 17 hardware multiplier with support for integer math
- Hardware support for 32 by 16-bit division
- An instruction set that supports multiple addressing modes and is optimized for high-level languages, such as 'C'
- Operational performance up to 16 MIPS

1.1.2 XLP POWER-SAVING TECHNOLOGY

The PIC24FJ256GA412/GB412 family of devices incorporates a greatly expanded range of power-saving operating modes for the ultimate in power conservation. The new modes include:

- Retention Sleep, with essential circuits being powered from a separate low-voltage regulator
- Deep Sleep without RTCC, for the lowest possible power consumption under software control
- VBAT mode (with or without RTCC), to continue limited operation from a backup battery when VDD is removed

Many of these new low-power modes also support the continuous operation of the low-power, on-chip Real-Time Clock/Calendar (RTCC), making it possible for an application to keep time while the device is otherwise asleep.

Aside from these new features, the PIC24FJ256GA412/GB412 devices also include all of the legacy power-saving features of previous PIC24F microcontrollers, such as:

- On-the-Fly Clock Switching, allowing the selection of a lower power clock during run time
- Doze Mode Operation, for maintaining peripheral clock speed while slowing the CPU clock
- Instruction-Based Power-Saving Modes, for quick invocation of Idle and the many Sleep modes

1.1.3 DUAL PARTITION FLASH PROGRAM MEMORY

A brand new feature to the PIC24F family is the use of Dual Partition Flash program memory technology. This allows PIC24FJ256GA412/GB412 family devices a range of new operating options not available before:

- Dual Partition Operation, which can store two different applications in their own code partition, and allows for the support of robust bootloader applications and enhanced security
- Live Update Operation, which allows the main application to continue operation while the second Flash partition is being reprogrammed – all without adding Wait states to code execution
- Direct Run-Time Programming from Data RAM, with the option of data compression in the RAM image

PIC24FJ256GA412/GB412 family devices can also operate with their two Flash partitions as one large program memory, providing space for large and complex applications.

PIC24FJ256GA412/GB412 FAMILY

1.1.4 OSCILLATOR OPTIONS AND FEATURES

All of the devices in the PIC24FJ256GA412/GB412 family offer five different oscillator options, allowing users a range of choices in developing application hardware. These include:

- Two Crystal modes
- Two External Clock modes
- A Phase-Locked Loop (PLL) frequency multiplier, which allows clock speeds of up to 32 MHz
- A Fast Internal Oscillator (FRC) – nominal 8 MHz output with multiple frequency divider options and automatic frequency self-calibration during run time
- A separate Low-Power Internal RC Oscillator (LPRC) – 31 kHz nominal for low-power, timing-insensitive applications.

The internal oscillator block also provides a stable reference source for the Fail-Safe Clock Monitor (FSCM). This option constantly monitors the main clock source against a reference signal provided by the internal oscillator and enables the controller to switch to the internal oscillator, allowing for continued low-speed operation or a safe application shutdown.

1.1.5 EASY MIGRATION

Regardless of the memory size, all devices share the same rich set of peripherals, allowing for a smooth migration path as applications grow and evolve. This extends the ability of applications to grow from the relatively simple, to the powerful and complex, while still selecting a Microchip device.

1.2 Cryptographic Engine

The Cryptographic Engine provides a new set of data security options. Using its own free-standing math engine, the module can independently perform NIST standard encryption and decryption of data, independently of the CPU. The Cryptographic Engine supports AES and DES/3DES encryption ciphers in up to five modes, and supports key lengths from 128 to 256 bits. Additional features include True Random Number Generation (TRNG) within the engine, multiple encryption/decryption key storage options and secure data handling that prevents data in the engine from being compromised by external reads.

1.3 USB On-The-Go (OTG)

USB On-The-Go provides on-chip functionality as a target device compatible with the USB 2.0 standard, as well as limited stand-alone functionality as a USB embedded host. By implementing USB Host Negotiation Protocol (HNP), the module can also dynamically switch between device and host operation, allowing for a much wider range of versatile USB-enabled applications on a microcontroller platform.

PIC24FJ256GA412/GB412 family devices also incorporate an integrated USB transceiver and precision oscillator, minimizing the required complexity of implementing a complete USB device, embedded host, dual role or On-The-Go application.

1.4 DMA Controller

PIC24FJ256GA412/GB412 family devices also add a Direct Memory Access (DMA) Controller to the existing PIC24F architecture. The DMA acts in concert with the CPU, allowing data to move between data memory and peripherals without the intervention of the CPU, increasing data throughput and decreasing execution time overhead. Six independently programmable channels make it possible to service multiple peripherals at virtually the same time, with each channel peripheral performing a different operation. Many types of data transfer operations are supported.

1.5 LCD Controller

The versatile on-chip LCD Controller includes many features that make the integration of displays in low-power applications easier. These include an integrated voltage regulator with charge pump and an integrated internal resistor ladder that allows contrast control in software, and display operation above device VDD.

PIC24FJ256GA412/GB412 FAMILY

1.6 Other Special Features

- **Integrated Interrupt-on-Change:** All digital I/O ports now feature Interrupt-on-Change (IOC) functionality for convenient Change Notification interrupt generation on any I/O pin. IOC can be individually enabled or disabled on each pin, and configured for both edge detection polarity and the use of pull-ups or pull-downs.
- **Peripheral Pin Select (PPS):** The Peripheral Pin Select feature allows most digital peripherals to be mapped over a fixed set of digital I/O pins. Users may independently map the input and/or output of any one of the many digital peripherals to any one of the I/O pins.
- **Communications:** The PIC24FJ256GA412/GB412 family incorporates multiple serial communication peripherals to handle a range of application requirements. All devices have six independent UARTs with built-in IrDA[®] encoders/decoders. There are also three independent I²C modules that support both Master and Slave modes of operation, and three SPI modules with I²S and variable data width support.
- **Analog Features:** All members of the PIC24FJ256GA412/GB412 family include a 12-bit A/D Converter module, a triple comparator module and the CTMU interface. The A/D module incorporates a range of features that allow the converter to assess and make decisions on incoming data, reducing CPU overhead for routine A/D conversions.
The comparator module includes three analog comparators that are configurable for a wide range of operations. The CTMU provides a convenient method for precision time measurement and pulse generation, and can serve as an interface for capacitive sensors.
- **Enhanced Parallel Master/Parallel Slave Port:** This module allows rapid and transparent access to the microcontroller data bus, and enables the CPU to directly address external data memory. The parallel port can function in Master or Slave mode, accommodating data widths of 4, 8 or 16 bits, and address widths of up to 23 bits in Master modes.
- **Real-Time Clock and Calendar (RTCC):** This module implements a full-featured clock and calendar with alarm functions in hardware, freeing up timer resources and program memory space for use of the core application.

1.7 Details on Individual Family Members

Devices in the PIC24FJ256GA412/GB412 family are available in 64-pin, 100-pin and 121/124-pin packages. General block diagrams for general purpose and USB devices are shown in [Figure 1-1](#) and [Figure 1-2](#), respectively.

The devices are differentiated from each other in five ways:

1. USB On-The-Go functionality (present only in PIC24FJXXXGB4XX devices).
2. Available I/O pins and ports (up to 53 pins on 6 ports for 64-pin devices, up to 85 pins on 7 ports for 100-pin devices and up to 102 pins on 9 ports for 121/124-pin devices).
3. Available remappable pins (29 pins on 64-pin devices and 44 pins on 100/121/124-pin devices).
4. Maximum available drivable LCD pixels (up to 248 for 64-pin devices and 512 on 100/121/124-pin devices.)
5. Analog input channels for the A/D Converter (16 channels for 64-pin devices and 24 channels for 100/121/124-pin devices).

All other features for devices in this family are identical. These are summarized in [Table 1-1](#), [Table 1-2](#) and [Table 1-3](#).

A list of pin features available on the PIC24FJ256GA412/GB412 family devices, sorted by function, is shown in [Table 1-4](#) (for general purpose devices) or [Table 1-5](#) (for USB devices). Note that these tables show the pin location of individual peripheral features and not how they are multiplexed on the same pin. This information is provided in the pinout diagrams in the beginning of this data sheet. Multiplexed features are sorted by the priority given to a feature, with the highest priority peripheral being listed first.

PIC24FJ256GA412/GB412 FAMILY

TABLE 1-1: DEVICE FEATURES FOR THE PIC24FJ256GA412/GB412 FAMILY: 64-PIN

Features	PIC24FJXXXGA/GB406					
	64GA	128GA	256GA	64GB	128GB	256GB
Operating Frequency	DC – 32 MHz					
Program Memory (bytes)	64K	128K	256K	64K	128K	256K
Program Memory (instructions)	22,016	44,032	88,064	22,016	44,032	88,064
Data Memory (bytes)	8K	16K		8K	16K	
Interrupt Sources (soft vectors/ NMI traps)	113 (107/6)					
I/O Ports	Ports B, C, D, E, F, G					
Total I/O Pins	53			52		
Remappable Pins	30 (29 I/Os, 1 input only)			29 (28 I/Os, 1 input only)		
Timers:						
Total Number (16-bit)	19 ^(1,2)					
32-Bit (from paired 16-bit timers)	9					
Input Capture w/Timer Channels	6 ⁽²⁾					
Output Compare/PWM Channels	6 ⁽²⁾					
Capture/Compare/PWM/Timer:						
Single Output (SCCP)	6 ⁽²⁾					
Multiple Output (MCCP)	1 ⁽²⁾					
Serial Communications:						
UART	6 ⁽²⁾					
SPI (three-wire/four-wire)	4 ⁽²⁾					
I ² C	3					
USB On-The-Go	No			Yes		
Cryptographic Engine	Yes					
Parallel Communications (EPMP/PSP)	Yes					
10/12-Bit Analog-to-Digital Converter (A/D) (input channels)	16					
Digital-to-Analog Converter (DAC)	1					
Analog Comparators	3					
CTMU Interface	Yes					
LCD Controller (available pixels)	248 (35 SEG x 8 COM)			240 (34 SEG x 8 COM)		
JTAG Boundary Scan	Yes					
Resets (and delays)	Core POR, VDD POR, VBAT POR, BOR, RESET Instruction, MCLR, WDT, Illegal Opcode, REPEAT Instruction, Hardware Traps, Configuration Word Mismatch (OST, PLL Lock)					
Instruction Set	77 Base Instructions, Multiple Addressing Mode Variations					
Packages	64-Pin TQFP and QFN					

Note 1: Includes the Timer modes of the SCCP and MCCP modules.

2: Some instantiations of these modules are only available through remappable pins.

PIC24FJ256GA412/GB412 FAMILY

TABLE 1-2: DEVICE FEATURES FOR THE PIC24FJ256GA412/GB412 FAMILY: 100-PIN

Features	PIC24FJXXXGA/GB410					
	64GA	128GA	256GA	64GB	128GB	256GB
Operating Frequency	DC – 32 MHz					
Program Memory (bytes)	64K	128K	256K	64K	128K	256K
Program Memory (instructions)	22,016	44,032	88,064	22,016	44,032	88,064
Data Memory (bytes)	8K	16K		8K	16K	
Interrupt Sources (soft vectors/ NMI traps)	113 (107/6)					
I/O Ports	Ports A, B, C, D, E, F, G					
Total I/O Pins	85			84		
Remappable Pins	44 (32 I/Os, 12 input only)					
Timers:						
Total Number (16-bit)	19 ^(1,2)					
32-Bit (from paired 16-bit timers)	9					
Input Capture w/Timer Channels	6 ⁽²⁾					
Output Compare/PWM Channels	6 ⁽²⁾					
Capture/Compare/PWM/Timer:						
Single Output (SCCP)	6 ⁽²⁾					
Multiple Output (MCCP)	1 ⁽²⁾					
Serial Communications:						
UART	6 ⁽²⁾					
SPI (three-wire/four-wire)	4 ⁽²⁾					
I ² C	3					
USB On-The-Go	No			Yes		
Cryptographic Engine	Yes					
Parallel Communications (EPMP/PSP)	Yes					
10/12-Bit Analog-to-Digital Converter (A/D) (input channels)	24					
Digital-to-Analog Converter (DAC)	1					
Analog Comparators	3					
CTMU Interface	Yes					
LCD Controller (available pixels)	512 (64 SEG x 8 COM)					
JTAG Boundary Scan	Yes					
Resets (and delays)	Core POR, VDD POR, VBAT POR, BOR, RESET Instruction, MCLR, WDT, Illegal Opcode, REPEAT Instruction, Hardware Traps, Configuration Word Mismatch (OST, PLL Lock)					
Instruction Set	77 Base Instructions, Multiple Addressing Mode Variations					
Packages	100-Pin TQFP					

Note 1: Includes the Timer modes of the SCCP and MCCP modules.

2: Some instantiations of these modules are only available through remappable pins.

PIC24FJ256GA412/GB412 FAMILY

TABLE 1-3: DEVICE FEATURES FOR THE PIC24FJ256GA412/GB412 FAMILY: 121-PIN

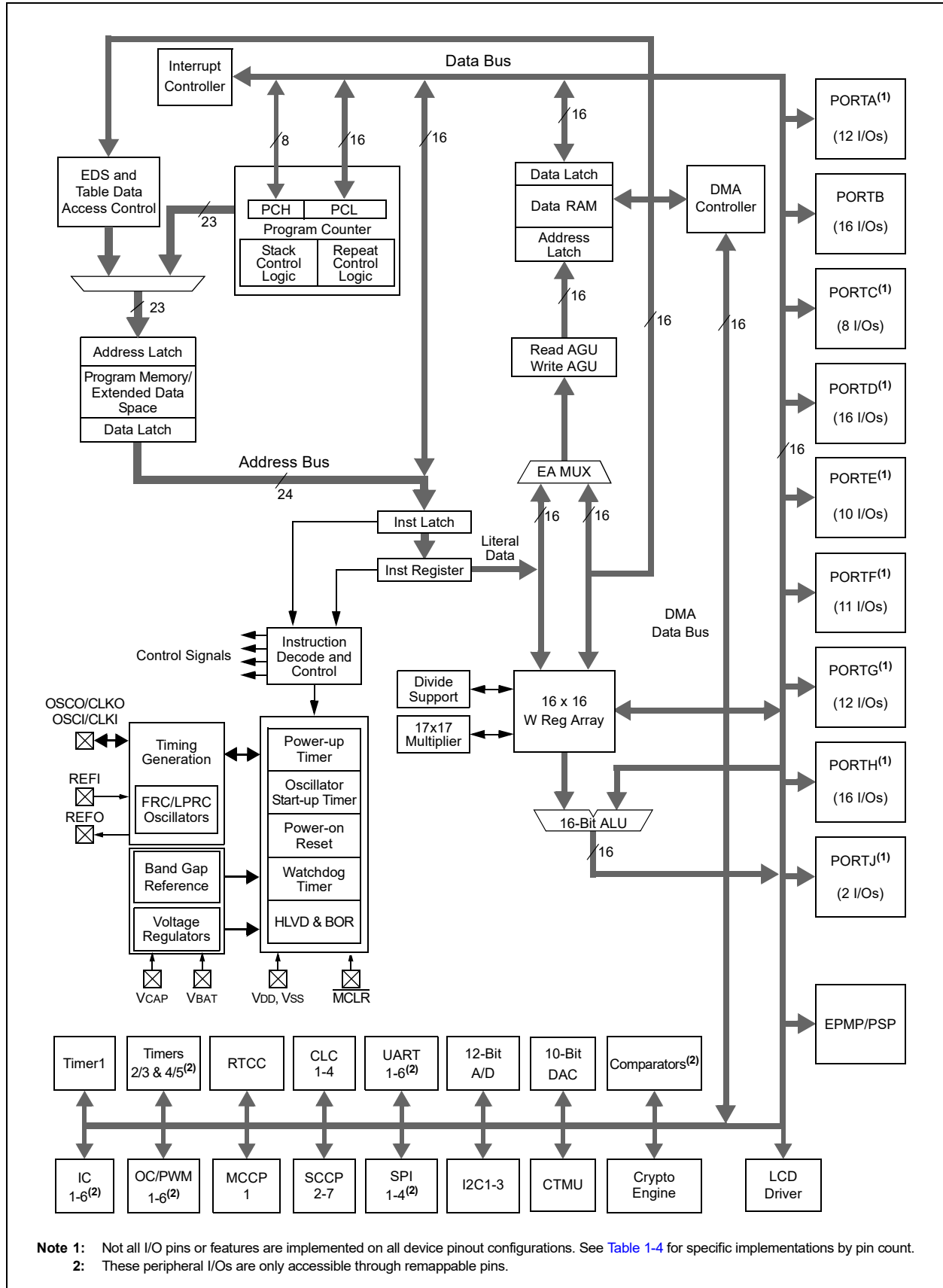
Features	PIC24FJXXXGA/GB412					
	64GA	128GA	256GA	64GB	128GB	256GB
Operating Frequency	DC – 32 MHz					
Program Memory (bytes)	64K	128K	256K	64K	128K	256K
Program Memory (instructions)	22,016	44,032	88,064	22,016	44,032	88,064
Data Memory (bytes)	8K	16K		8K	16K	
Interrupt Sources (soft vectors/ NMI traps)	113 (107/6)					
I/O Ports	Ports A, B, C, D, E, F, G, H, J					
Total I/O Pins	102			101		
Remappable Pins	44 (32 I/O, 12 input only)					
Timers:						
Total Number (16-bit)	19 ^(1,2)					
32-Bit (from paired 16-bit timers)	9					
Input Capture w/Timer Channels	6 ⁽²⁾					
Output Compare/PWM Channels	6 ⁽²⁾					
Single Output CCP (SCCP)	6					
Multiple Output CCP (MCCP)	1					
Serial Communications:						
UART	6 ⁽²⁾					
SPI (three-wire/four-wire)	4 ⁽²⁾					
I ² C	3					
USB On-The-Go	No			Yes		
Cryptographic Engine	Yes					
Parallel Communications (EPMP/PSP)	Yes					
10/12-Bit Analog-to-Digital Converter (A/D) (input channels)	24					
Digital-to-Analog Converter (DAC)	1					
Analog Comparators	3					
CTMU Interface	Yes					
LCD Controller (available pixels)	512 (64 SEG x 8 COM)					
JTAG Boundary Scan	Yes					
Resets (and delays)	Core POR, VDD POR, VBAT POR, BOR, RESET Instruction, MCLR, WDT, Illegal Opcode, REPEAT Instruction, Hardware Traps, Configuration Word Mismatch (OST, PLL Lock)					
Instruction Set	77 Base Instructions, Multiple Addressing Mode Variations					
Packages	121-Pin TFBGA					

Note 1: Includes the Timer modes of SCCP and MCCP modules.

2: Some instantiations of these modules are only available through remappable pins.

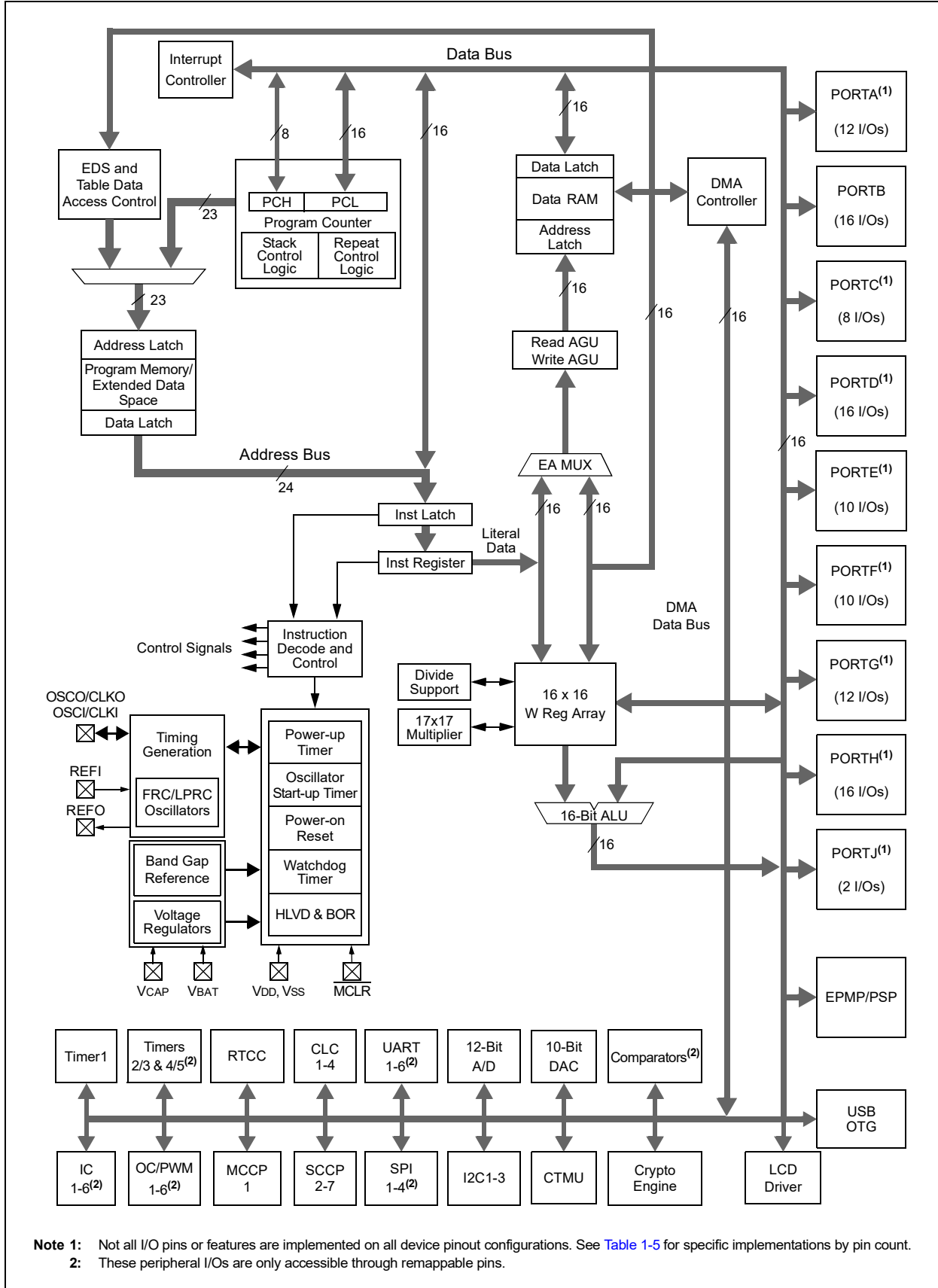
PIC24FJ256GA412/GB412 FAMILY

FIGURE 1-1: PIC24FJ256GA412 FAMILY GENERAL BLOCK DIAGRAM



PIC24FJ256GA412/GB412 FAMILY

FIGURE 1-2: PIC24FJ256GB412 FAMILY GENERAL BLOCK DIAGRAM



PIC24FJ256GA412/GB412 FAMILY

TABLE 1-4: PIC24FJ256GA412 FAMILY PINOUT DESCRIPTION

Pin Function	Pin/Pad Number			I/O	Input Buffer	Description
	64-Pin TQFP	100-Pin TQFP	121-Pin TFBGA			
AN0	16	25	K2	I	ANA	A/D Analog Inputs
AN1	15	24	K1	I	ANA	
AN1-	15	24	K1	I	ANA	
AN2	14	23	J2	I	ANA	
AN3	13	22	J1	I	ANA	
AN4	12	21	H2	I	ANA	
AN5	11	20	H1	I	ANA	
AN6	17	26	L1	I	ANA	
AN7	18	27	J3	I	ANA	
AN8	21	32	K4	I	ANA	
AN9	22	33	L4	I	ANA	
AN10	23	34	H5	I	ANA	
AN11	24	35	K5	I	ANA	
AN12	27	41	J7	I	ANA	
AN13	28	42	L7	I	ANA	
AN14	29	43	K7	I	ANA	
AN15	30	44	L8	I	ANA	
AN16	—	9	E1	I	ANA	
AN17	—	10	E3	I	ANA	
AN18	—	11	F4	I	ANA	
AN19	—	12	F2	I	ANA	
AN20	—	14	F3	I	ANA	
AN21	—	19	G2	I	ANA	
AN22	—	92	B5	I	ANA	
AN23	—	91	C5	I	ANA	
AVDD	19	30	J4	P	—	Positive Supply for Analog modules
AVss	20	31	L3	P	—	Ground Reference for Analog modules
C1INA	11	20	H1	I	ANA	Comparator 1 Input A
C1INB	12	21	H2	I	ANA	Comparator 1 Input B
C1INC	5,8	11,14	F4,F3	I	ANA	Comparator 1 Input C
C1IND	4	10	E3	I	ANA	Comparator 1 Input D
C2INA	13	22	J1	I	ANA	Comparator 2 Input A
C2INB	14	23	J2	I	ANA	Comparator 2 Input B
C2INC	8	14	F3	I	ANA	Comparator 2 Input C
C2IND	6	12	F2	I	ANA	Comparator 2 Input D
C3INA	55	84	C7	I	ANA	Comparator 3 Input A
C3INB	54	83	D7	I	ANA	Comparator 3 Input B
C3INC	8,45	14,71	F3,C11	I	ANA	Comparator 3 Input C
C3IND	44	70	D11	I	ANA	Comparator 3 Input D
CLC3OUT	46	72	D9	O	DIG	CLC3 Output
CLC4OUT	42	68	E9	O	DIG	CLC4 Output

Legend: TTL = TTL input buffer
ANA = Analog-level input/output
DIG = Digital input/output
SMB = SMBus

ST = Schmitt Trigger input buffer
I²C = I²C/SMBus input buffer
XCVR = Dedicated transceiver

PIC24FJ256GA412/GB412 FAMILY

TABLE 1-4: PIC24FJ256GA412 FAMILY PINOUT DESCRIPTION (CONTINUED)

Pin Function	Pin/Pad Number			I/O	Input Buffer	Description
	64-Pin TQFP	100-Pin TQFP	121-Pin TFBGA			
CLKI	39	63	F9	—	—	Main Clock Input Connection
CLKO	40	64	F11	O	DIG	System Clock Output
COM0	63	99	A2	O	ANA	LCD Driver Common Outputs
COM1	62	98	B3	O	ANA	
COM2	61	94	B4	O	ANA	
COM3	60	93	A4	O	ANA	
COM4	59	88	B1	O	ANA	
COM5	23	34	D4	O	ANA	
COM6	22	33	G4	O	ANA	
COM7	21	32	H3	O	ANA	
CTCMP	14	23	J2	O	ANA	
CTED1	28	42	L7	I	ST	CTMU External Edge Inputs
CTED2	27	41	J7	I	ST	
CTED3	—	1	B2	I	ST	
CTED4	1	3	D3	I	ST	
CTED5	29	43	K7	I	ST	
CTED6	30	44	L8	I	ST	
CTED7	—	40	K6	I	ST	
CTED8	64	100	A1	I	ST	
CTED9	63	99	A2	I	ST	
CTED10	—	97	A3	I	ST	
CTED11	—	95	C4	I	ST	
CTED12	15	24	K1	I	ST	
CTED13	14	23	J2	I	ST	
CTED14	—	17	G3	I	ST	
CTPLS	29	43	K7	O	DIG	CTMU Pulse Output
CVREF	23	34	H5	O	ANA	Comparator Voltage Reference Output
CVREF+	16	25,29	K2,K3	I	ANA	Comparator Voltage Reference (high) Input
CVREF-	15	24,28	K1,L2	I	ANA	Comparator Voltage Reference (low) Input
D+	—	—	—	I/O	XCVR	USB D+
D-	—	—	—	I/O	XCVR	USB D-
DAC1	8	14	F3	O	ANA	DAC1 Analog Output
DVREF+	16	25,29	K2,K3	I	ANA	DAC External Reference
IC4	1	3	D3	I	ST	Input Capture 4
IC5	2	4	C1	I	ST	Input Capture 5
IC6	3	5	D2	I	ST	Input Capture 6
ICM1	4	10	E3	I	ST	MCCP1 Input Capture
ICM2	6	12	F2	I	ST	SCCP2 Input Capture
ICM3	11	20	H1	I	ST	SCCP3 Input Capture
ICM4	49	76	A11	I	ST	SCCP4 Input Capture
ICM5	42	68	E9	I	ST	SCCP5 Input Capture
ICM6	46	72	D9	I	ST	SCCP6 Input Capture
ICM7	51	78	B9	I	ST	SCCP7 Input Capture

Legend: TTL = TTL input buffer
ANA = Analog-level input/output
DIG = Digital input/output
SMB = SMBus

ST = Schmitt Trigger input buffer
I²C = I²C/SMBus input buffer
XCVR = Dedicated transceiver

PIC24FJ256GA412/GB412 FAMILY

TABLE 1-4: PIC24FJ256GA412 FAMILY PINOUT DESCRIPTION (CONTINUED)

Pin Function	Pin/Pad Number			I/O	Input Buffer	Description	
	64-Pin TQFP	100-Pin TQFP	121-Pin TFBGA				
INT0	46	72	D9	I	ST/STMV	External Interrupt Input 0	
IOCA0	—	17	G3	I	ST	PORTA Interrupt-on-Change	
IOCA1	—	38	J6	I	ST		
IOCA2	—	58	H11	I	ST		
IOCA3	—	59	G10	I	ST		
IOCA4	—	60	G11	I	ST		
IOCA5	—	61	G9	I	ST		
IOCA6	—	91	C5	I	ST		
IOCA7	—	92	B5	I	ST		
IOCA9	—	28	L2	I	ST		
IOCA10	—	29	K3	I	ST		
IOCA14	—	66	E11	I	ST		
IOCA15	—	67	E8	I	ST		
IOCB0	16	25	K2	I	ST		PORTB Interrupt-on-Change
IOCB1	15	24	K1	I	ST		
IOCB2	14	23	J2	I	ST		
IOCB3	13	22	J1	I	ST		
IOCB4	12	21	H2	I	ST		
IOCB5	11	20	H1	I	ST		
IOCB6	17	26	L1	I	ST		
IOCB7	18	27	J3	I	ST		
IOCB8	21	32	K4	I	ST		
IOCB9	22	33	L4	I	ST		
IOCB10	23	34	H5	I	ST		
IOCB11	24	35	K5	I	ST		
IOCB12	27	41	J7	I	ST		
IOCB13	28	42	L7	I	ST		
IOCB14	29	43	K7	I	ST		
IOCB15	30	44	L8	I	ST		
IOCC1	—	6	D1	I	ST	PORTC Interrupt-on-Change	
IOCC2	—	7	E4	I	ST		
IOCC3	—	8	E2	I	ST		
IOCC4	—	9	E1	I	ST		
IOCC12	39	63	F9	I	ST		
IOCC13	47	73	C10	I	ST		
IOCC14	48	74	B11	I	ST		
IOCC15	40	64	F11	I	ST		

Legend: TTL = TTL input buffer
ANA = Analog-level input/output
DIG = Digital input/output
SMB = SMBus

ST = Schmitt Trigger input buffer
I²C = I²C/SMBus input buffer
XCVR = Dedicated transceiver

PIC24FJ256GA412/GB412 FAMILY

TABLE 1-4: PIC24FJ256GA412 FAMILY PINOUT DESCRIPTION (CONTINUED)

Pin Function	Pin/Pad Number			I/O	Input Buffer	Description
	64-Pin TQFP	100-Pin TQFP	121-Pin TFBGA			
IOCD0	46	72	D9	I	ST	PORTD Interrupt-on-Change
IOCD1	49	76	A11	I	ST	
IOCD2	50	77	A10	I	ST	
IOCD3	51	78	B9	I	ST	
IOCD4	52	81	C8	I	ST	
IOCD5	53	82	B8	I	ST	
IOCD6	54	83	D7	I	ST	
IOCD7	55	84	C7	I	ST	
IOCD8	42	68	E9	I	ST	
IOCD9	43	69	E10	I	ST	
IOCD10	44	70	D11	I	ST	
IOCD11	45	71	C11	I	ST	
IOCD12	—	79	A9	I	ST	
IOCD13	—	80	D8	I	ST	
IOCD14	—	47	L9	I	ST	
IOCD15	—	48	K9	I	ST	
IOCE0	60	93	A4	I	ST	PORTE Interrupt-on-Change
IOCE1	61	94	B4	I	ST	
IOCE2	62	98	B3	I	ST	
IOCE3	63	99	A2	I	ST	
IOCE4	64	100	A1	I	ST	
IOCE5	1	3	D3	I	ST	
IOCE6	2	4	C1	I	ST	
IOCE7	3	5	D2	I	ST	
IOCE8	—	18	G1	I	ST	
IOCE9	—	19	G2	I	ST	
IOCF0	58	87	B6	I	ST	PORTF Interrupt-on-Change
IOCF1	59	88	A6	I	ST	
IOCF2	34	52	K11	I	ST	
IOCF3	33	51	K10	I	ST	
IOCF4	31	49	L10	I	ST	
IOCF5	32	50	L11	I	ST	
IOCF6	35	55	H9	I	ST	
IOCF7	—	54	H8	I	ST	
IOCF8	—	53	J10	I	ST	
IOCF12	—	40	K6	I	ST	
IOCF13	—	39	L6	I	ST	

Legend: TTL = TTL input buffer
ANA = Analog-level input/output
DIG = Digital input/output
SMB = SMBus

ST = Schmitt Trigger input buffer
I²C = I²C/SMBus input buffer
XCVR = Dedicated transceiver

PIC24FJ256GA412/GB412 FAMILY

TABLE 1-4: PIC24FJ256GA412 FAMILY PINOUT DESCRIPTION (CONTINUED)

Pin Function	Pin/Pad Number			I/O	Input Buffer	Description	
	64-Pin TQFP	100-Pin TQFP	121-Pin TFBGA				
IOCG0	—	90	A5	I	ST	PORTG Interrupt-on-Change	
IOCG1	—	89	E6	I	ST		
IOCG2	37	57	H10	I	ST		
IOCG3	36	56	J11	I	ST		
IOCG6	4	10	E3	I	ST		
IOCG7	5	11	F4	I	ST		
IOCG8	6	12	F2	I	ST		
IOCG9	8	14	F3	I	ST		
IOCG12	—	96	C3	I	ST		
IOCG13	—	97	A3	I	ST		
IOCG14	—	95	C4	I	ST		
IOCG15	—	1	B2	I	ST		
IOCH1	—	—	B1	I	ST		PORTH Interrupt-on-Change
IOCH2	—	—	D4	I	ST		
IOCH3	—	—	G4	I	ST		
IOCH4	—	—	H3	I	ST		
IOCH5	—	—	H4	I	ST		
IOCH6	—	—	L5	I	ST		
IOCH7	—	—	J5	I	ST		
IOCH8	—	—	H7	I	ST		
IOCH9	—	—	J8	I	ST		
IOCH10	—	—	J9	I	ST		
IOCH11	—	—	G8	I	ST		
IOCH12	—	—	F7	I	ST		
IOCH13	—	—	C9	I	ST		
IOCH14	—	—	A8	I	ST		
IOCH15	—	—	F6	I	ST		
IOCJ0	—	—	D5	I	ST	PORTJ Interrupt-on-Change	
IOCJ1	—	—	E5	I	ST		
LCDBIAS0	3	5	D2	O	ANA	Bias Inputs for LCD Driver Charge Pump	
LCDBIAS1	2	4	C1	O	ANA		
LCDBIAS2	1	3	D3	O	ANA		
LCDBIAS3	17	26	L1	O	ANA		
LVDIN	64	100	A1	I	ANA	Low-Voltage Detect Input	
MCLR	7	13	F1	I	ST/STMV	Master Clear (device Reset) Input. This line is brought low to cause a Reset.	
OC4	54	83	D7	O	DIG	Output Compare 4 Output	
OC5	55	84	C7	O	DIG	Output Compare 5 Output	
OC6	58	87	B6	O	DIG	Output Compare 6 Output	

Legend: TTL = TTL input buffer
ANA = Analog-level input/output
DIG = Digital input/output
SMB = SMBus

ST = Schmitt Trigger input buffer
I²C = I²C/SMBus input buffer
XCVR = Dedicated transceiver

PIC24FJ256GA412/GB412 FAMILY

TABLE 1-4: PIC24FJ256GA412 FAMILY PINOUT DESCRIPTION (CONTINUED)

Pin Function	Pin/Pad Number			I/O	Input Buffer	Description
	64-Pin TQFP	100-Pin TQFP	121-Pin TFBGA			
OCM1A	4	10	E3	O	DIG	MCCP1 Outputs
OCM1B	5	11	F4	O	DIG	
OCM1C	—	1	B2	O	DIG	
OCM1D	—	6	D1	O	DIG	
OCM1E	—	91	C5	O	DIG	
OCM1F	—	92	B5	O	DIG	
OCM2	6	12	F2	O	DIG	SCCP2 Output
OCM3	11	20	H1	O	DIG	SCCP3 Output
OSCI	39	63	F9	I	ANA/ST	Main Oscillator Input Connection
OSCO	40	64	F11	O	—	Main Oscillator Output Connection
PGEC1	15	24	K1	I	ST	ICSP™ Programming Clock
PGEC2	17	26	L1	I	ST	
PGEC3	11	20	H1	I	ST	
PGED1	16	25	K2	I/O	DIG/ST	ICSP Programming Data
PGED2	18	27	J3	I/O	DIG/ST	
PGED3	12	21	H2	I/O	DIG/ST	
PMA0/PMALL	30	44	L8	I/O	DIG/ST/TTL	Parallel Master Port Address[0]/Address Latch Low
PMA1/PMALH	29	43	K7	I/O	DIG/ST/TTL	Parallel Master Port Address[1]/Address Latch High
PMA14/PMCS/APMCS1	45	71	C11	I/O	DIG/ST/TTL	Parallel Master Port Address[14]/Slave Chip Select/Alternate Chip Select 1 Strobe
PMA15/APMCS2	44	70	D11	I/O	DIG/ST/TTL	Parallel Master Port Address[15]/Alternate Chip Select 2 Strobe
PMA6	16	29	K3	O	DIG	Parallel Master Port Address
PMA7	22	28	L2	O	DIG	
PMA8	32	50	L11	I/O	DIG/ST/TTL	Parallel Master Port Address (Demultiplexed Master mode) or Address/Data (Multiplexed Master modes)
PMA9	31	49	L10	I/O	DIG/ST/TTL	
PMA10	28	42	L7	I/O	DIG/ST/TTL	
PMA11	27	41	J7	I/O	DIG/ST/TTL	
PMA12	24	35	K5	I/O	DIG/ST/TTL	
PMA13	23	34	H5	I/O	DIG/ST/TTL	
PMA16	—	95	C4	O	DIG	
PMA17	—	92	B5	O	DIG	
PMA18	—	40	K6	O	DIG	
PMA19	—	19	G2	O	DIG	
PMA2/PMALU	8	14	F3	O	DIG	Parallel Master Port Address[2]/Address Latch Upper
PMA3	6	12	F2	O	DIG	Parallel Master Port Address
PMA4	5	11	F4	O	DIG	
PMA5	4	10	E3	O	DIG	
PMA20	—	59	G10	O	DIG	Parallel Master Port Address (Demultiplexed Master mode) or Address/Data (Multiplexed Master modes)
PMA21	—	60	G11	O	DIG	
PMA22	—	66	E11	O	DIG	

Legend: TTL = TTL input buffer
ANA = Analog-level input/output
DIG = Digital input/output
SMB = SMBus

ST = Schmitt Trigger input buffer
I²C = I²C/SMBus input buffer
XCVR = Dedicated transceiver

PIC24FJ256GA412/GB412 FAMILY

TABLE 1-4: PIC24FJ256GA412 FAMILY PINOUT DESCRIPTION (CONTINUED)

Pin Function	Pin/Pad Number			I/O	Input Buffer	Description
	64-Pin TQFP	100-Pin TQFP	121-Pin TFBGA			
PMACK1	50	77	A10	I	ST/TTL	Parallel Master Port Acknowledge Input 1
PMACK2	43	69	E10	I	ST/TTL	Parallel Master Port Acknowledge Input 2
PMBE0	51	78	B9	O	DIG	Parallel Master Port Byte Enable 0 Strobe
PMBE1	—	67	E8	O	DIG	Parallel Master Port Byte Enable 1 Strobe
PMCS1	—	18	G1	O	DIG	Parallel Master Port Chip Select 1 Strobe
PMCS2	—	9	E1	O	DIG	Parallel Master Port Chip Select 2 Strobe
PMD0	60	93	A4	I/O	DIG/ST/TTL	Parallel Master Port Data (Demultiplexed Master mode) or Address/Data (Multiplexed Master modes)
PMD1	61	94	B4	I/O	DIG/ST/TTL	
PMD2	62	98	B3	I/O	DIG/ST/TTL	
PMD3	63	99	A2	I/O	DIG/ST/TTL	
PMD4	64	100	A1	I/O	DIG/ST/TTL	
PMD5	1	3	D3	I/O	DIG/ST/TTL	
PMD6	2	4	C1	I/O	DIG/ST/TTL	
PMD7	3	5	D2	I/O	DIG/ST/TTL	
PMD8	—	90	A5	I/O	DIG/ST/TTL	
PMD9	—	89	E6	I/O	DIG/ST/TTL	
PMD10	—	88	A6	I/O	DIG/ST/TTL	
PMD11	—	87	B6	I/O	DIG/ST/TTL	
PMD12	—	79	A9	I/O	DIG/ST/TTL	
PMD13	—	80	D8	I/O	DIG/ST/TTL	
PMD14	—	83	D7	I/O	DIG/ST/TTL	
PMD15	—	84	C7	I/O	DIG/ST/TTL	
PMRD/PMWR	53	82	B8	I/O	DIG/ST/TTL	Parallel Master Port Read Strobe/Write Strobe
PMWR/PMENB	52	81	C8	I/O	DIG/ST/TTL	Parallel Master Port Write Strobe/Enable Strobe
PWRGT	21	32	K4	O	DIGMV	Real-Time Clock Power Control Output
PWRLCLK	48	74	B11	I	STMV	Real-Time Clock 50/60 Hz Clock Input
RA0	—	17	G3	I/O	DIG/ST	PORTA Digital I/Os
RA1	—	38	J6	I/O	DIG/ST	
RA2	—	58	H11	I/O	DIG/ST/TTL	
RA3	—	59	G10	I/O	DIG/ST/TTL	
RA4	—	60	G11	I/O	DIG/ST	
RA5	—	61	G9	I/O	DIG/ST	
RA6	—	91	C5	I/O	DIG/ST	
RA7	—	92	B5	I/O	DIG/ST	
RA9	—	28	L2	I/O	DIG/ST/TTL	
RA10	—	29	K3	I/O	DIG/ST	
RA14	—	66	E11	I/O	DIG/ST/TTL	
RA15	—	67	E8	I/O	DIG/ST/TTL	

Legend: TTL = TTL input buffer
ANA = Analog-level input/output
DIG = Digital input/output
SMB = SMBus

ST = Schmitt Trigger input buffer
I²C = I²C/SMBus input buffer
XCVR = Dedicated transceiver

PIC24FJ256GA412/GB412 FAMILY

TABLE 1-4: PIC24FJ256GA412 FAMILY PINOUT DESCRIPTION (CONTINUED)

Pin Function	Pin/Pad Number			I/O	Input Buffer	Description
	64-Pin TQFP	100-Pin TQFP	121-Pin TFBGA			
RB0	16	25	K2	I/O	DIG/ST	PORTB Digital I/Os
RB1	15	24	K1	I/O	DIG/ST	
RB2	14	23	J2	I/O	DIG/ST/TTL	
RB3	13	22	J1	I/O	DIG/ST/TTL	
RB4	12	21	H2	I/O	DIG/ST/TTL	
RB5	11	20	H1	I/O	DIG/ST/TTL	
RB6	17	26	L1	I/O	DIG/ST	
RB7	18	27	J3	I/O	DIG/ST/TTL	
RB8	21	32	K4	I/O	DIG/ST	
RB9	22	33	L4	I/O	DIG/ST	
RB10	23	34	H5	I/O	DIG/ST	
RB11	24	35	K5	I/O	DIG/ST	
RB12	27	41	J7	I/O	DIG/ST	
RB13	28	42	L7	I/O	DIG/ST	
RB14	29	43	K7	I/O	DIG/ST	
RB15	30	44	L8	I/O	DIG/ST	
RC1	—	6	D1	I/O	DIG/ST	PORTC Digital I/Os
RC2	—	7	E4	I/O	DIG/ST	
RC3	—	8	E2	I/O	DIG/ST	
RC4	—	9	E1	I/O	DIG/ST	
RC12	39	63	F9	I/O	DIG/ST	
RC13	47	73	C10	I	ST	
RC14	48	74	B11	I	ST	
RC15	40	64	F11	I/O	DIG/ST	
RD0	46	72	D9	I/O	DIG/ST	PORTD Digital I/Os
RD1	49	76	A11	I/O	DIG/ST	
RD2	50	77	A10	I/O	DIG/ST	
RD3	51	78	B9	I/O	DIG/ST	
RD4	52	81	C8	I/O	DIG/ST	
RD5	53	82	B8	I/O	DIG/ST	
RD6	54	83	D7	I/O	DIG/ST	
RD7	55	84	C7	I/O	DIG/ST	
RD8	42	68	E9	I/O	DIG/ST	
RD9	43	69	E10	I/O	DIG/ST	
RD10	44	70	D11	I/O	DIG/ST	
RD11	45	71	C11	I/O	DIG/ST	
RD12	—	79	A9	I/O	DIG/ST	
RD13	—	80	D8	I/O	DIG/ST	
RD14	—	47	L9	I/O	DIG/ST	
RD15	—	48	K9	I/O	DIG/ST	

Legend: TTL = TTL input buffer
ANA = Analog-level input/output
DIG = Digital input/output
SMB = SMBus

ST = Schmitt Trigger input buffer
I²C = I²C/SMBus input buffer
XCVR = Dedicated transceiver

PIC24FJ256GA412/GB412 FAMILY

TABLE 1-4: PIC24FJ256GA412 FAMILY PINOUT DESCRIPTION (CONTINUED)

Pin Function	Pin/Pad Number			I/O	Input Buffer	Description	
	64-Pin TQFP	100-Pin TQFP	121-Pin TFBGA				
RE0	60	93	A4	I/O	DIG/ST	PORTE Digital I/Os	
RE1	61	94	B4	I/O	DIG/ST		
RE2	62	98	B3	I/O	DIG/ST		
RE3	63	99	A2	I/O	DIG/ST		
RE4	64	100	A1	I/O	DIG/ST		
RE5	1	3	D3	I/O	DIG/ST		
RE6	2	4	C1	I/O	DIG/ST		
RE7	3	5	D2	I/O	DIG/ST		
RE8	—	18	G1	I/O	DIG/ST		
RE9	—	19	G2	I/O	DIG/ST		
REFI1	24	35	K5	I	ST	Reference Clock Input	
RF0	58	87	B6	I/O	DIG/ST	PORTF Digital I/Os	
RF1	59	88	A6	I/O	DIG/ST		
RF2	34	52	K11	I/O	DIG/ST		
RF3	33	51	K10	I/O	DIG/ST/TTL		
RF4	31	49	L10	I/O	DIG/ST		
RF5	32	50	L11	I/O	DIG/ST		
RF6	35	55	H9	I/O	DIG/ST		
RF7	—	54	H8	I/O	DIG/ST		
RF8	—	53	J10	I/O	DIG/ST		
RF12	—	40	K6	I/O	DIG/ST		
RF13	—	39	L6	I/O	DIG/ST		
RG0	—	90	A5	I/O	DIG/ST		PORTG Digital I/Os
RG1	—	89	E6	I/O	DIG/ST		
RG2	37	57	H10	I/O	DIG/ST		
RG3	36	56	J11	I/O	DIG/ST		
RG6	4	10	E3	I/O	DIG/ST/TTL		
RG7	5	11	F4	I/O	DIG/ST		
RG8	6	12	F2	I/O	DIG/ST		
RG9	8	14	F3	I/O	DIG/ST		
RG12	—	96	C3	I/O	DIG/ST		
RG13	—	97	A3	I/O	DIG/ST		
RG14	—	95	C4	I/O	DIG/ST		
RG15	—	1	B2	I/O	DIG/ST		

Legend: TTL = TTL input buffer
ANA = Analog-level input/output
DIG = Digital input/output
SMB = SMBus

ST = Schmitt Trigger input buffer
I²C = I²C/SMBus input buffer
XCVR = Dedicated transceiver

PIC24FJ256GA412/GB412 FAMILY

TABLE 1-4: PIC24FJ256GA412 FAMILY PINOUT DESCRIPTION (CONTINUED)

Pin Function	Pin/Pad Number			I/O	Input Buffer	Description
	64-Pin TQFP	100-Pin TQFP	121-Pin TFBGA			
RH1	—	—	B1	I/O	DIG/ST	PORTH Digital I/Os
RH2	—	—	D4	I/O	DIG/ST	
RH3	—	—	G4	I/O	DIG/ST	
RH4	—	—	H3	I/O	DIG/ST/TTL	
RH5	—	—	H4	I/O	DIG/ST	
RH6	—	—	L5	I/O	DIG/ST	
RH7	—	—	J5	I/O	DIG/ST	
RH8	—	—	H7	I/O	DIG/ST	
RH9	—	—	J8	I/O	DIG/ST	
RH10	—	—	J9	I/O	DIG/ST	
RH11	—	—	G8	I/O	DIG/ST	
RH12	—	—	F7	I/O	DIG/ST	
RH13	—	—	C9	I/O	DIG/ST	
RH14	—	—	A8	I/O	DIG/ST	
RH15	—	—	F6	I/O	DIG/ST	
RJ0	—	—	D5	I/O	DIG/ST	PORTJ Digital I/Os
RJ1	—	—	E5	I/O	DIG/ST	

Legend: TTL = TTL input buffer
ANA = Analog-level input/output
DIG = Digital input/output
SMB = SMBus

ST = Schmitt Trigger input buffer
I²C = I²C/SMBus input buffer
XCVR = Dedicated transceiver

PIC24FJ256GA412/GB412 FAMILY

TABLE 1-4: PIC24FJ256GA412 FAMILY PINOUT DESCRIPTION (CONTINUED)

Pin Function	Pin/Pad Number			I/O	Input Buffer	Description
	64-Pin TQFP	100-Pin TQFP	121-Pin TFBGA			
RP0	16	25	K2	I/O	DIG/ST	Remappable Peripherals (Input or Output)
RP1	15	24	K1	I/O	DIG/ST	
RP2	42	68	E9	I/O	DIG/ST	
RP3	44	70	D11	I/O	DIG/ST	
RP4	43	69	E10	I/O	DIG/ST	
RP5	—	48	K9	I/O	DIG/ST	
RP6	17	26	L1	I/O	DIG/ST	
RP7	18	27	J3	I/O	DIG/ST	
RP8	21	32	K4	I/O	DIG/ST	
RP9	22	33	L4	I/O	DIG/ST	
RP10	31	49	L10	I/O	DIG/ST	
RP11	46	72	D9	I/O	DIG/ST	
RP12	45	71	C11	I/O	DIG/ST	
RP13	14	23	J2	I/O	DIG/ST	
RP14	29	43	K7	I/O	DIG/ST	
RP15	—	53	J10	I/O	DIG/ST	
RP16	33	51	K10	I/O	DIG/ST	
RP17	32	50	L11	I/O	DIG/ST	
RP18	11	20	H1	I/O	DIG/ST	
RP19	6	12	F2	I/O	DIG/ST	
RP20	53	82	B8	I/O	DIG/ST	
RP21	4	10	E3	I/O	DIG/ST	
RP22	51	78	B9	I/O	DIG/ST	
RP23	50	77	A10	I/O	DIG/ST	
RP24	49	76	A11	I/O	DIG/ST	
RP25	52	81	C8	I/O	DIG/ST	
RP26	5	11	F4	I/O	DIG/ST	
RP27	8	14	F3	I/O	DIG/ST	
RP28	12	21	H2	I/O	DIG/ST	
RP29	30	44	L8	I/O	DIG/ST	
RP30	34	52	K11	I/O	DIG/ST	
RP31	—	39	L6	I/O	DIG/ST	

Legend: TTL = TTL input buffer
ANA = Analog-level input/output
DIG = Digital input/output
SMB = SMBus

ST = Schmitt Trigger input buffer
I²C = I²C/SMBus input buffer
XCVR = Dedicated transceiver

PIC24FJ256GA412/GB412 FAMILY

TABLE 1-4: PIC24FJ256GA412 FAMILY PINOUT DESCRIPTION (CONTINUED)

Pin Function	Pin/Pad Number			I/O	Input Buffer	Description
	64-Pin TQFP	100-Pin TQFP	121-Pin TFBGA			
RPI32	—	40	K6	I	ST	Remappable Peripherals (Input only)
RPI33	—	18	G1	I	ST	
RPI34	—	19	G2	I	ST	
RPI35	—	67	E8	I	ST	
RPI36	—	66	E11	I	ST	
RPI37	48	74	B11	I	ST	
RPI38	—	6	D1	I	ST	
RPI39	—	7	E4	I	ST	
RPI40	—	8	E2	I	ST	
RPI41	—	9	E1	I	ST	
RPI42	—	79	A9	I	ST	
RPI43	—	47	L9	I	ST	
RTCC	42	68	E9	O	DIGMV	
SCK4	59	88	A6	I/O	DIG/ST	SPI4 Clock
SCL1	37	57	H10	I/O	DIG/I ² C/SMB	I2C1 Synchronous Serial Clock Input/Output
SCL2	32	58	H11	I/O	DIG/I ² C/SMB	I2C2 Synchronous Serial Clock Input/Output
SCL3	2	4	C1	I/O	DIG/I ² C/SMB	I2C3 Synchronous Serial Clock Input/Output
SDA1	36	56	J11	I/O	DIG/I ² C/SMB	I2C1 Data Input/Output
SDA2	31	59	G10	I/O	DIG/I ² C/SMB	I2C2 Data Input/Output
SDA3	3	5	D2	I/O	DIG/I ² C/SMB	I2C3 Data Input/Output
SDI4	28	42	L7	I	ST	SPI4 Data Input
SDO4	23	34	H5	O	DIG	SPI4 Data Output

Legend: TTL = TTL input buffer
ANA = Analog-level input/output
DIG = Digital input/output
SMB = SMBus

ST = Schmitt Trigger input buffer
I²C = I²C/SMBus input buffer
XCVR = Dedicated transceiver

PIC24FJ256GA412/GB412 FAMILY

TABLE 1-4: PIC24FJ256GA412 FAMILY PINOUT DESCRIPTION (CONTINUED)

Pin Function	Pin/Pad Number			I/O	Input Buffer	Description
	64-Pin TQFP	100-Pin TQFP	121-Pin TFBGA			
SEG0	4	10	E3	O	ANA	LCD Driver Segment Outputs
SEG1	8	14	F3	O	ANA	
SEG2	11	20	H1	O	ANA	
SEG3	12	21	H2	O	ANA	
SEG4	13	22	J1	O	ANA	
SEG5	14	23	J2	O	ANA	
SEG6	15	24	K1	O	ANA	
SEG7	16	25	K2	O	ANA	
SEG8	29	43	K7	O	ANA	
SEG9	30	44	L8	O	ANA	
SEG10	31	49	L10	O	ANA	
SEG11	32	50	L11	O	ANA	
SEG12	33	51	K10	O	ANA	
SEG13	42	68	E9	O	ANA	
SEG14	43	69	E10	O	ANA	
SEG15	44	70	D11	O	ANA	
SEG16	45	71	C11	O	ANA	
SEG17	46	72	D9	O	ANA	
SEG18	27	41	J7	O	ANA	
SEG19	28	42	L7	O	ANA	
SEG20	49	76	A11	O	ANA	
SEG21	50	77	A10	O	ANA	
SEG22	51	78	B9	O	ANA	
SEG23	52	81	C8	O	ANA	
SEG24	53	82	B8	O	ANA	
SEG25	54	83	D7	O	ANA	
SEG26	55	84	C7	O	ANA	
SEG27	58	87	B6	O	ANA	
SEG28	—	61	G9	O	ANA	
SEG29	23	34	H5	O	ANA	
SEG30	22	33	L4	O	ANA	
SEG31	21	32	K4	O	ANA	
SEG32	—	6	D1	O	ANA	
SEG33	—	8	E2	O	ANA	
SEG34	—	18	G1	O	ANA	
SEG35	—	19	G2	O	ANA	
SEG36	—	28	L2	O	ANA	
SEG37	—	29	K3	O	ANA	
SEG38	—	47	L9	O	ANA	
SEG39	—	48	K9	O	ANA	
SEG40	34	52	K11	O	ANA	

Legend: TTL = TTL input buffer
ANA = Analog-level input/output
DIG = Digital input/output
SMB = SMBus

ST = Schmitt Trigger input buffer
I²C = I²C/SMBus input buffer
XCVR = Dedicated transceiver

PIC24FJ256GA412/GB412 FAMILY

TABLE 1-4: PIC24FJ256GA412 FAMILY PINOUT DESCRIPTION (CONTINUED)

Pin Function	Pin/Pad Number			I/O	Input Buffer	Description
	64-Pin TQFP	100-Pin TQFP	121-Pin TFBGA			
SEG41	—	53	J10	O	ANA	LCD Driver Segment Outputs
SEG42	—	66	E11	O	ANA	
SEG43	—	67	E8	O	ANA	
SEG44	—	79	A9	O	ANA	
SEG45	—	80	D8	O	ANA	
SEG46	—	89	E6	O	ANA	
SEG47	59	88	A6	O	ANA	
SEG48	—	17	G3	O	ANA	
SEG49	—	90	A5	O	ANA	
SEG50	—	1	B2	O	ANA	
SEG51	—	7	E4	O	ANA	
SEG52	—	9	E1	O	ANA	
SEG53	—	39	L6	O	ANA	
SEG54	—	40	K6	O	ANA	
SEG55	—	58	H11	O	ANA	
SEG56	—	59	G10	O	ANA	
SEG57	—	91	C5	O	ANA	
SEG58	—	92	B5	O	ANA	
SEG59	—	95	C4	O	ANA	
SEG60	—	96	C3	O	ANA	
SEG61	—	97	A3	O	ANA	
SEG62	64	100	A1	O	ANA	
SEG63	18	27	J3	O	ANA	
SOSCI	47	73	C10	—	—	Secondary Oscillator/Timer1 Clock Input
SOSCO	48	74	B11	—	—	Secondary Oscillator/Timer1 Clock Output
SS4/FSYNC4	24	35	K5	I/O	DIG/ST	SPI4 Slave Select/Frame Sync
T1CK	22	33	L4	I	ST	Timer1 Clock
TCK	27	38	J6	I	ST	JTAG Test Clock/Programming Clock Input
TDI	28	60	G11	I	ST	JTAG Test Data/Programming Data Input
TDO	24	61	G9	O	DIG	JTAG Test Data Output
TMPR	22	33	L4	—	—	Tamper Detect Input
TMS	23	17	G3	I	ST	JTAG Test Mode Select Input
U5CTS	58	87	B6	I	ST	UART5 Clear-to-Send Output
U5RTS/U5BCLK	55	84	C7	O	DIG	UART5 Request-to-Send Input
U5RX	54	83	D7	I	ST	UART5 Receive Input
U5TX	49	76	A11	O	DIG	UART5 Transmit Output
U6CTS	46	72	D9	I	ST	UART6 Clear-to-Send Output
U6RTS/U6BCLK	42	68	E9	O	DIG	UART6 Request-to-Send Input
U6RX	27	41	J7	I	ST	UART6 Receive Input
U6TX	18	27	J3	O	DIG	UART6 Transmit Output
USBID	—	—	—	I	ST	USB OTG ID Input
USBOEN	—	—	—	O	DIG	USB Output Enable (active-low)

Legend: TTL = TTL input buffer
ANA = Analog-level input/output
DIG = Digital input/output
SMB = SMBus

ST = Schmitt Trigger input buffer
I²C = I²C/SMBus input buffer
XCVR = Dedicated transceiver

PIC24FJ256GA412/GB412 FAMILY

TABLE 1-4: PIC24FJ256GA412 FAMILY PINOUT DESCRIPTION (CONTINUED)

Pin Function	Pin/Pad Number			I/O	Input Buffer	Description
	64-Pin TQFP	100-Pin TQFP	121-Pin TFBGA			
VBAT	57	86	A7	P	—	Backup Battery
VBUS	—	—	—	P	—	Vbus Supply
VCAP	56	85	B7	I/O	—	External Filter Capacitor Connection (regulator enabled)
VDD	10,26,38	2,16,37,46,62	C2,G5,H6,K8,F8,E7	P	—	Positive Supply for Peripheral Digital Logic and I/O Pins
VDD	—	—	D6	P	—	
VLCAP1	5	11	F4	O	ANA	LCD Drive Charge Pump Capacitor Inputs
VLCAP2	6	12	F2	O	ANA	
VREF+	16	25,29	K2,K3	I	ANA	Comparator and A/D Reference Voltage (high) Input
VREF-	15	24,28	K1,L2	I	ANA	Comparator and A/D Reference Voltage (low) Input
VSS	9,25,41	15,36,45,65,75	F5,G6,G7,F10,D10,B10	P	—	Ground Reference for Peripheral Digital Logic and I/O Pins
VSS	—	—	C6	P	—	
VUSB3V3	—	—	—	P	—	3.3V VUSB

Legend: TTL = TTL input buffer
ANA = Analog-level input/output
DIG = Digital input/output
SMB = SMBus

ST = Schmitt Trigger input buffer
I²C = I²C/SMBus input buffer
XCVR = Dedicated transceiver

PIC24FJ256GA412/GB412 FAMILY

TABLE 1-5: PIC24FJ256GB412 FAMILY PINOUT DESCRIPTION

Pin Function	Pin/Pad Number			I/O	Input Buffer	Description
	64-Pin TQFP	100-Pin TQFP	121-Pin TFBGA			
AN0	16	25	K2	I	ANA	A/D Analog Inputs
AN1	15	24	K1	I	ANA	
AN1-	15	24	K1	I	ANA	
AN2	14	23	J2	I	ANA	
AN3	13	22	J1	I	ANA	
AN4	12	21	H2	I	ANA	
AN5	11	20	H1	I	ANA	
AN6	17	26	L1	I	ANA	
AN7	18	27	J3	I	ANA	
AN8	21	32	K4	I	ANA	
AN9	22	33	L4	I	ANA	
AN10	23	34	H5	I	ANA	
AN11	24	35	K5	I	ANA	
AN12	27	41	J7	I	ANA	
AN13	28	42	L7	I	ANA	
AN14	29	43	K7	I	ANA	
AN15	30	44	L8	I	ANA	
AN16	—	9	E1	I	ANA	
AN17	—	10	E3	I	ANA	
AN18	—	11	F4	I	ANA	
AN19	—	12	F2	I	ANA	
AN20	—	14	F3	I	ANA	
AN21	—	19	G2	I	ANA	
AN22	—	92	B5	I	ANA	
AN23	—	91	C5	I	ANA	
AVDD	19	30	J4	P	—	Positive Supply for Analog modules
AVSS	20	31	L3	P	—	Ground Reference for Analog modules
C1INA	11	20	H1	I	ANA	Comparator 1 Input A
C1INB	12	21	H2	I	ANA	Comparator 1 Input B
C1INC	5,8	11,14	F4,F3	I	ANA	Comparator 1 Input C
C1IND	4	10	E3	I	ANA	Comparator 1 Input D
C2INA	13	22	J1	I	ANA	Comparator 2 Input A
C2INB	14	23	J2	I	ANA	Comparator 2 Input B
C2INC	8	14	F3	I	ANA	Comparator 2 Input C
C2IND	6	12	F2	I	ANA	Comparator 2 Input D
C3INA	55	84	C7	I	ANA	Comparator 3 Input A
C3INB	54	83	D7	I	ANA	Comparator 3 Input B
C3INC	8,45	14,71	F3,C11	I	ANA	Comparator 3 Input C
C3IND	44	70	D11	I	ANA	Comparator 3 Input D
CLC3OUT	46	72	D9	O	DIG	CLC3 Output
CLC4OUT	42	68	E9	O	DIG	CLC4 Output

Legend: TTL = TTL input buffer
ANA = Analog-level input/output
DIG = Digital input/output
SMB = SMBus

ST = Schmitt Trigger input buffer
I²C = I²C/SMBus input buffer
XCVR = Dedicated transceiver

PIC24FJ256GA412/GB412 FAMILY

TABLE 1-5: PIC24FJ256GB412 FAMILY PINOUT DESCRIPTION (CONTINUED)

Pin Function	Pin/Pad Number			I/O	Input Buffer	Description	
	64-Pin TQFP	100-Pin TQFP	121-Pin TFBGA				
CLKI	39	63	F9	—	—	Main Clock Input Connection	
CLKO	40	64	F11	O	DIG	System Clock Output	
COM0	63	99	A2	O	ANA	LCD Driver Common Outputs	
COM1	62	98	B3	O	ANA		
COM2	61	94	B4	O	ANA		
COM3	60	93	A4	O	ANA		
COM4	59	88	B1	O	ANA		
COM5	23	34	D4	O	ANA		
COM6	22	33	G4	O	ANA		
COM7	21	32	H3	O	ANA		
CTCMP	14	23	J2	O	ANA		CTMU Comparator 2 Input (Pulse mode)
CTED1	28	42	L7	I	ST		CTMU External Edge Inputs
CTED2	27	41	J7	I	ST		
CTED3	—	1	B2	I	ST		
CTED4	1	3	D3	I	ST		
CTED5	29	43	K7	I	ST		
CTED6	30	44	L8	I	ST		
CTED7	-	40	K6	I	ST		
CTED8	64	100	A1	I	ST		
CTED9	63	99	A2	I	ST		
CTED10	—	97	A3	I	ST		
CTED11	—	95	C4	I	ST		
CTED12	15	24	K1	I	ST		
CTED13	14	23	J2	I	ST		
CTED14	—	17	G3	I	ST		
CTPLS	29	43	K7	O	DIG	CTMU Pulse Output	
CVREF	23	34	H5	O	ANA	Comparator Voltage Reference Output	
CVREF+	16	25,29	K2,K3	I	ANA	Comparator Voltage Reference (high) Input	
CVREF-	15	24,28	K1,L2	I	ANA	Comparator Voltage Reference (low) Input	
D+	37	57	H10	I/O	XCVR	USB D+	
D-	36	56	J11	I/O	XCVR	USB D-	
DAC1	8	14	F3	O	ANA	DAC1 Analog Output	
DVREF+	16	25,29	K2,K3	I	ANA	DAC External Reference	
IC4	1	3	D3	I	ST	Input Capture 4	
IC5	2	4	C1	I	ST	Input Capture 5	
IC6	3	5	D2	I	ST	Input Capture 6	

Legend: TTL = TTL input buffer
ANA = Analog-level input/output
DIG = Digital input/output
SMB = SMBus

ST = Schmitt Trigger input buffer
I²C = I²C/SMBus input buffer
XCVR = Dedicated transceiver

PIC24FJ256GA412/GB412 FAMILY

TABLE 1-5: PIC24FJ256GB412 FAMILY PINOUT DESCRIPTION (CONTINUED)

Pin Function	Pin/Pad Number			I/O	Input Buffer	Description
	64-Pin TQFP	100-Pin TQFP	121-Pin TFBGA			
ICM1	4	10	E3	I	ST	MCCP1 Input Capture
ICM2	6	12	F2	I	ST	SCCP2 Input Capture
ICM3	11	20	H1	I	ST	SCCP3 Input Capture
ICM4	49	76	A11	I	ST	SCCP4 Input Capture
ICM5	42	68	E9	I	ST	SCCP5 Input Capture
ICM6	46	72	D9	I	ST	SCCP6 Input Capture
ICM7	51	78	B9	I	ST	SCCP7 Input Capture
INT0	46	72	D9	I	ST/STMV	External Interrupt Input 0
IOCA0	—	17	G3	I	ST	PORTA Interrupt-on-Change
IOCA1	—	38	J6	I	ST	
IOCA2	—	58	H11	I	ST	
IOCA3	—	59	G10	I	ST	
IOCA4	—	60	G11	I	ST	
IOCA5	—	61	G9	I	ST	
IOCA6	—	91	C5	I	ST	
IOCA7	—	92	B5	I	ST	
IOCA9	—	28	L2	I	ST	
IOCA10	—	29	K3	I	ST	
IOCA14	—	66	E11	I	ST	
IOCA15	—	67	E8	I	ST	
IOCB0	16	25	K2	I	ST	PORTB Interrupt-on-Change
IOCB1	15	24	K1	I	ST	
IOCB2	14	23	J2	I	ST	
IOCB3	13	22	J1	I	ST	
IOCB4	12	21	H2	I	ST	
IOCB5	11	20	H1	I	ST	
IOCB6	17	26	L1	I	ST	
IOCB7	18	27	J3	I	ST	
IOCB8	21	32	K4	I	ST	
IOCB9	22	33	L4	I	ST	
IOCB10	23	34	H5	I	ST	
IOCB11	24	35	K5	I	ST	
IOCB12	27	41	J7	I	ST	
IOCB13	28	42	L7	I	ST	
IOCB14	29	43	K7	I	ST	
IOCB15	30	44	L8	I	ST	

Legend: TTL = TTL input buffer
ANA = Analog-level input/output
DIG = Digital input/output
SMB = SMBus

ST = Schmitt Trigger input buffer
I²C = I²C/SMBus input buffer
XCVR = Dedicated transceiver

PIC24FJ256GA412/GB412 FAMILY

TABLE 1-5: PIC24FJ256GB412 FAMILY PINOUT DESCRIPTION (CONTINUED)

Pin Function	Pin/Pad Number			I/O	Input Buffer	Description
	64-Pin TQFP	100-Pin TQFP	121-Pin TFBGA			
IOCC1	—	6	D1	I	ST	PORTC Interrupt-on-Change
IOCC2	—	7	E4	I	ST	
IOCC3	—	8	E2	I	ST	
IOCC4	—	9	E1	I	ST	
IOCC12	39	63	F9	I	ST	
IOCC13	47	73	C10	I	ST	
IOCC14	48	74	B11	I	ST	
IOCC15	40	64	F11	I	ST	
IOCD0	46	72	D9	I	ST	PORTD Interrupt-on-Change
IOCD1	49	76	A11	I	ST	
IOCD2	50	77	A10	I	ST	
IOCD3	51	78	B9	I	ST	
IOCD4	52	81	C8	I	ST	
IOCD5	53	82	B8	I	ST	
IOCD6	54	83	D7	I	ST	
IOCD7	55	84	C7	I	ST	
IOCD8	42	68	E9	I	ST	
IOCD9	43	69	E10	I	ST	
IOCD10	44	70	D11	I	ST	
IOCD11	45	71	C11	I	ST	
IOCD12	—	79	A9	I	ST	
IOCD13	—	80	D8	I	ST	
IOCD14	—	47	L9	I	ST	
IOCD15	—	48	K9	I	ST	
IOCE0	60	93	A4	I	ST	PORTE Interrupt-on-Change
IOCE1	61	94	B4	I	ST	
IOCE2	62	98	B3	I	ST	
IOCE3	63	99	A2	I	ST	
IOCE4	64	100	A1	I	ST	
IOCE5	1	3	D3	I	ST	
IOCE6	2	4	C1	I	ST	
IOCE7	3	5	D2	I	ST	
IOCE8	—	18	G1	I	ST	
IOCE9	—	19	G2	I	ST	

Legend: TTL = TTL input buffer
 ANA = Analog-level input/output
 DIG = Digital input/output
 SMB = SMBus

ST = Schmitt Trigger input buffer
 I²C = I²C/SMBus input buffer
 XCVR = Dedicated transceiver

PIC24FJ256GA412/GB412 FAMILY

TABLE 1-5: PIC24FJ256GB412 FAMILY PINOUT DESCRIPTION (CONTINUED)

Pin Function	Pin/Pad Number			I/O	Input Buffer	Description	
	64-Pin TQFP	100-Pin TQFP	121-Pin TFBGA				
IOCF0	58	87	B6	I	ST	PORTF Interrupt-on-Change	
IOCF1	59	88	A6	I	ST		
IOCF2	—	52	K11	I	ST		
IOCF3	33	51	K10	I	ST		
IOCF4	31	49	L10	I	ST		
IOCF5	32	50	L11	I	ST		
IOCF6	—	—	—	I	ST		
IOCF7	34	54	H8	I	ST		
IOCF8	—	53	J10	I	ST		
IOCF12	—	40	K6	I	ST		
IOCF13	—	39	L6	I	ST		
IOCG0	—	90	A5	I	ST		PORTG Interrupt-on-Change
IOCG1	—	89	E6	I	ST		
IOCG2	37	57	H10	I	ST		
IOCG3	36	56	J11	I	ST		
IOCG6	4	10	E3	I	ST		
IOCG7	5	11	F4	I	ST		
IOCG8	6	12	F2	I	ST		
IOCG9	8	14	F3	I	ST		
IOCG12	—	96	C3	I	ST		
IOCG13	—	97	A3	I	ST		
IOCG14	—	95	C4	I	ST		
IOCG15	—	1	B2	I	ST		
IOCH1	—	—	B1	I	ST	PORTH Interrupt-on-Change	
IOCH2	—	—	D4	I	ST		
IOCH3	—	—	G4	I	ST		
IOCH4	—	—	H3	I	ST		
IOCH5	—	—	H4	I	ST		
IOCH6	—	—	L5	I	ST		
IOCH7	—	—	J5	I	ST		
IOCH8	—	—	H7	I	ST		
IOCH9	—	—	J8	I	ST		
IOCH10	—	—	J9	I	ST		
IOCH11	—	—	G8	I	ST		
IOCH12	—	—	F7	I	ST		
IOCH13	—	—	C9	I	ST		
IOCH14	—	—	A8	I	ST		
IOCH15	—	—	F6	I	ST		
IOCJ0	—	—	D5	I	ST	PORTJ Interrupt-on-Change	
IOCJ1	—	—	E5	I	ST		

Legend: TTL = TTL input buffer
ANA = Analog-level input/output
DIG = Digital input/output
SMB = SMBus

ST = Schmitt Trigger input buffer
I²C = I²C/SMBus input buffer
XCVR = Dedicated transceiver

PIC24FJ256GA412/GB412 FAMILY

TABLE 1-5: PIC24FJ256GB412 FAMILY PINOUT DESCRIPTION (CONTINUED)

Pin Function	Pin/Pad Number			I/O	Input Buffer	Description
	64-Pin TQFP	100-Pin TQFP	121-Pin TFBGA			
LCDBIAS0	3	5	D2	O	ANA	Bias Inputs for LCD Driver Charge Pump
LCDBIAS1	2	4	C1	O	ANA	
LCDBIAS2	1	3	D3	O	ANA	
LCDBIAS3	17	26	L1	O	ANA	
LVDIN	64	100	A1	I	ANA	Low-Voltage Detect Input
MCLR	7	13	F1	I	ST/STMV	Master Clear (device Reset) Input. This line is brought low to cause a Reset.
OC4	54	83	D7	O	DIG	Output Compare 4 Output
OC5	55	84	C7	O	DIG	Output Compare 5 Output
OC6	58	87	B6	O	DIG	Output Compare 6 Output
OCM1A	4	10	E3	O	DIG	MCCP1 Outputs
OCM1B	5	11	F4	O	DIG	
OCM1C	—	1	B2	O	DIG	
OCM1D	—	6	D1	O	DIG	
OCM1E	—	91	C5	O	DIG	
OCM1F	—	92	B5	O	DIG	
OCM2	6	12	F2	O	DIG	SCCP2 Output
OCM3	11	20	H1	O	DIG	SCCP3 Output
OSCI	39	63	F9	I	ANA/ST	Main Oscillator Input Connection
OSCO	40	64	F11	O	—	Main Oscillator Output Connection
PGEC1	15	24	K1	I	ST	ICSP™ Programming Clock
PGEC2	17	26	L1	I	ST	
PGEC3	11	20	H1	I	ST	
PGED1	16	25	K2	I/O	DIG/ST	ICSP Programming Data
PGED2	18	27	J3	I/O	DIG/ST	
PGED3	12	21	H2	I/O	DIG/ST	
PMA0/PMALL	30	44	L8	I/O	DIG/ST/TTL	Parallel Master Port Address[0]/Address Latch Low
PMA1/PMALH	29	43	K7	I/O	DIG/ST/TTL	Parallel Master Port Address[1]/Address Latch High
PMA14/PMCS/APMCS1	45	71	C11	I/O	DIG/ST/TTL	Parallel Master Port Address[14]/Slave Chip Select/Alternate Chip Select 1 Strobe
PMA15/APMCS2	44	70	D11	I/O	DIG/ST/TTL	Parallel Master Port Address[15]/Alternate Chip Select 2 Strobe
PMA6	16	29	K3	O	DIG	Parallel Master Port Address
PMA7	22	28	L2	O	DIG	

Legend: TTL = TTL input buffer
ANA = Analog-level input/output
DIG = Digital input/output
SMB = SMBus

ST = Schmitt Trigger input buffer
i²C = i²C/SMBus input buffer
XCVR = Dedicated transceiver

PIC24FJ256GA412/GB412 FAMILY

TABLE 1-5: PIC24FJ256GB412 FAMILY PINOUT DESCRIPTION (CONTINUED)

Pin Function	Pin/Pad Number			I/O	Input Buffer	Description
	64-Pin TQFP	100-Pin TQFP	121-Pin TFBGA			
PMA8	32	50	L11	I/O	DIG/ST/TTL	Parallel Master Port Address (Demultiplexed Master mode) or Address/Data (Multiplexed Master modes)
PMA9	31	49	L10	I/O	DIG/ST/TTL	
PMA10	28	42	L7	I/O	DIG/ST/TTL	
PMA11	27	41	J7	I/O	DIG/ST/TTL	
PMA12	24	35	K5	I/O	DIG/ST/TTL	
PMA13	23	34	H5	I/O	DIG/ST/TTL	
PMA16	—	95	C4	O	DIG	
PMA17	—	92	B5	O	DIG	
PMA18	—	40	K6	O	DIG	
PMA19	—	19	G2	O	DIG	
PMA2/PMALU	8	14	F3	O	DIG	Parallel Master Port Address[2]/Address Latch Upper
PMA3	6	12	F2	O	DIG	Parallel Master Port Address
PMA4	5	11	F4	O	DIG	
PMA5	4	10	E3	O	DIG	
PMA20	—	59	G10	O	DIG	Parallel Master Port Address (Demultiplexed Master mode) or Address/Data (Multiplexed Master modes)
PMA21	—	60	G11	O	DIG	
PMA22	—	66	E11	O	DIG	
PMACK1	50	77	A10	I	ST/TTL	Parallel Master Port Acknowledge Input 1
PMACK2	43	69	E10	I	ST/TTL	Parallel Master Port Acknowledge Input 2
PMBE0	51	78	B9	O	DIG	Parallel Master Port Byte Enable 0 Strobe
PMBE1	—	67	E8	O	DIG	Parallel Master Port Byte Enable 1 Strobe
PMCS1	—	18	G1	O	DIG	Parallel Master Port Chip Select 1 Strobe
PMCS2	—	9	E1	O	DIG	Parallel Master Port Chip Select 2 Strobe
PMD0	60	93	A4	I/O	DIG/ST/TTL	Parallel Master Port Data (Demultiplexed Master mode) or Address/Data (Multiplexed Master modes)
PMD1	61	94	B4	I/O	DIG/ST/TTL	
PMD2	62	98	B3	I/O	DIG/ST/TTL	
PMD3	63	99	A2	I/O	DIG/ST/TTL	
PMD4	64	100	A1	I/O	DIG/ST/TTL	
PMD5	1	3	D3	I/O	DIG/ST/TTL	
PMD6	2	4	C1	I/O	DIG/ST/TTL	
PMD7	3	5	D2	I/O	DIG/ST/TTL	
PMD8	—	90	A5	I/O	DIG/ST/TTL	
PMD9	—	89	E6	I/O	DIG/ST/TTL	
PMD10	—	88	A6	I/O	DIG/ST/TTL	
PMD11	—	87	B6	I/O	DIG/ST/TTL	
PMD12	—	79	A9	I/O	DIG/ST/TTL	
PMD13	—	80	D8	I/O	DIG/ST/TTL	
PMD14	—	83	D7	I/O	DIG/ST/TTL	
PMD15	—	84	C7	I/O	DIG/ST/TTL	

Legend: TTL = TTL input buffer
ANA = Analog-level input/output
DIG = Digital input/output
SMB = SMBus

ST = Schmitt Trigger input buffer
I²C = I²C/SMBus input buffer
XCVR = Dedicated transceiver

PIC24FJ256GA412/GB412 FAMILY

TABLE 1-5: PIC24FJ256GB412 FAMILY PINOUT DESCRIPTION (CONTINUED)

Pin Function	Pin/Pad Number			I/O	Input Buffer	Description	
	64-Pin TQFP	100-Pin TQFP	121-Pin TFBGA				
PMRD/ $\overline{\text{PMWR}}$	53	82	B8	I/O	DIG/ST/TTL	Parallel Master Port Read Strobe/Write Strobe	
PMWR/PMENB	52	81	C8	I/O	DIG/ST/TTL	Parallel Master Port Write Strobe/Enable Strobe	
PWRGT	21	32	K4	O	DIGMV	Real-Time Clock Power Control Output	
PWRLCLK	48	74	B11	I	STMV	Real-Time Clock 50/60 Hz Clock Input	
RA0	—	17	G3	I/O	DIG/ST	PORTA Digital I/Os	
RA1	—	38	J6	I/O	DIG/ST		
RA2	—	58	H11	I/O	DIG/ST/TTL		
RA3	—	59	G10	I/O	DIG/ST/TTL		
RA4	—	60	G11	I/O	DIG/ST		
RA5	—	61	G9	I/O	DIG/ST		
RA6	—	91	C5	I/O	DIG/ST		
RA7	—	92	B5	I/O	DIG/ST		
RA9	—	28	L2	I/O	DIG/ST/TTL		
RA10	—	29	K3	I/O	DIG/ST		
RA14	—	66	E11	I/O	DIG/ST/TTL		
RA15	—	67	E8	I/O	DIG/ST/TTL		
RB0	16	25	K2	I/O	DIG/ST		PORTB Digital I/Os
RB1	15	24	K1	I/O	DIG/ST		
RB2	14	23	J2	I/O	DIG/ST/TTL		
RB3	13	22	J1	I/O	DIG/ST/TTL		
RB4	12	21	H2	I/O	DIG/ST/TTL		
RB5	11	20	H1	I/O	DIG/ST/TTL		
RB6	17	26	L1	I/O	DIG/ST		
RB7	18	27	J3	I/O	DIG/ST/TTL		
RB8	21	32	K4	I/O	DIG/ST		
RB9	22	33	L4	I/O	DIG/ST		
RB10	23	34	H5	I/O	DIG/ST		
RB11	24	35	K5	I/O	DIG/ST		
RB12	27	41	J7	I/O	DIG/ST		
RB13	28	42	L7	I/O	DIG/ST		
RB14	29	43	K7	I/O	DIG/ST		
RB15	30	44	L8	I/O	DIG/ST		
RC1	—	6	D1	I/O	DIG/ST	PORTC Digital I/Os	
RC2	—	7	E4	I/O	DIG/ST		
RC3	—	8	E2	I/O	DIG/ST		
RC4	—	9	E1	I/O	DIG/ST		
RC12	39	63	F9	I/O	DIG/ST		
RC13	47	73	C10	I	ST		
RC14	48	74	B11	I	ST		
RC15	40	64	F11	I/O	DIG/ST		

Legend: TTL = TTL input buffer
ANA = Analog-level input/output
DIG = Digital input/output
SMB = SMBus

ST = Schmitt Trigger input buffer
I²C = I²C/SMBus input buffer
XCVR = Dedicated transceiver

PIC24FJ256GA412/GB412 FAMILY

TABLE 1-5: PIC24FJ256GB412 FAMILY PINOUT DESCRIPTION (CONTINUED)

Pin Function	Pin/Pad Number			I/O	Input Buffer	Description
	64-Pin TQFP	100-Pin TQFP	121-Pin TFBGA			
RD0	46	72	D9	I/O	DIG/ST	PORTD Digital I/Os
RD1	49	76	A11	I/O	DIG/ST	
RD2	50	77	A10	I/O	DIG/ST	
RD3	51	78	B9	I/O	DIG/ST	
RD4	52	81	C8	I/O	DIG/ST	
RD5	53	82	B8	I/O	DIG/ST	
RD6	54	83	D7	I/O	DIG/ST	
RD7	55	84	C7	I/O	DIG/ST	
RD8	42	68	E9	I/O	DIG/ST	
RD9	43	69	E10	I/O	DIG/ST	
RD10	44	70	D11	I/O	DIG/ST	
RD11	45	71	C11	I/O	DIG/ST	
RD12	—	79	A9	I/O	DIG/ST	
RD13	—	80	D8	I/O	DIG/ST	
RD14	—	47	L9	I/O	DIG/ST	
RD15	—	48	K9	I/O	DIG/ST	
RE0	60	93	A4	I/O	DIG/ST	PORTE Digital I/Os
RE1	61	94	B4	I/O	DIG/ST	
RE2	62	98	B3	I/O	DIG/ST	
RE3	63	99	A2	I/O	DIG/ST	
RE4	64	100	A1	I/O	DIG/ST	
RE5	1	3	D3	I/O	DIG/ST	
RE6	2	4	C1	I/O	DIG/ST	
RE7	3	5	D2	I/O	DIG/ST	
RE8	—	18	G1	I/O	DIG/ST	
RE9	—	19	G2	I/O	DIG/ST	
REFI1	24	35	K5	I	ST	Reference Clock Input
RF0	58	87	B6	I/O	DIG/ST	PORTF Digital I/Os
RF1	59	88	A6	I/O	DIG/ST	
RF2	—	52	K11	I/O	DIG/ST	
RF3	33	51	K10	I/O	DIG/ST/TTL	
RF4	31	49	L10	I/O	DIG/ST	
RF5	32	50	L11	I/O	DIG/ST	
RF6	—	—	—	I/O	DIG/ST	
RF7	34	54	H8	I/O	DIG/ST	
RF8	—	53	J10	I/O	DIG/ST	
RF12	—	40	K6	I/O	DIG/ST	
RF13	—	39	L6	I/O	DIG/ST	

Legend: TTL = TTL input buffer
ANA = Analog-level input/output
DIG = Digital input/output
SMB = SMBus

ST = Schmitt Trigger input buffer
I²C = I²C/SMBus input buffer
XCVR = Dedicated transceiver

PIC24FJ256GA412/GB412 FAMILY

TABLE 1-5: PIC24FJ256GB412 FAMILY PINOUT DESCRIPTION (CONTINUED)

Pin Function	Pin/Pad Number			I/O	Input Buffer	Description	
	64-Pin TQFP	100-Pin TQFP	121-Pin TFBGA				
RG0	—	90	A5	I/O	DIG/ST	PORTG Digital I/Os	
RG1	—	89	E6	I/O	DIG/ST		
RG2	37	57	H10	I/O	DIG/ST		
RG3	36	56	J11	I/O	DIG/ST		
RG6	4	10	E3	I/O	DIG/ST/TTL		
RG7	5	11	F4	I/O	DIG/ST		
RG8	6	12	F2	I/O	DIG/ST		
RG9	8	14	F3	I/O	DIG/ST		
RG12	—	96	C3	I/O	DIG/ST		
RG13	—	97	A3	I/O	DIG/ST		
RG14	—	95	C4	I/O	DIG/ST		
RG15	—	1	B2	I/O	DIG/ST		
RH1	—	—	B1	I/O	DIG/ST		PORTH Digital I/Os
RH2	—	—	D4	I/O	DIG/ST		
RH3	—	—	G4	I/O	DIG/ST		
RH4	—	—	H3	I/O	DIG/ST/TTL		
RH5	—	—	H4	I/O	DIG/ST		
RH6	—	—	L5	I/O	DIG/ST		
RH7	—	—	J5	I/O	DIG/ST		
RH8	—	—	H7	I/O	DIG/ST		
RH9	—	—	J8	I/O	DIG/ST		
RH10	—	—	J9	I/O	DIG/ST		
RH11	—	—	G8	I/O	DIG/ST		
RH12	—	—	F7	I/O	DIG/ST		
RH13	—	—	C9	I/O	DIG/ST		
RH14	—	—	A8	I/O	DIG/ST		
RH15	—	—	F6	I/O	DIG/ST		
RJ0	—	—	D5	I/O	DIG/ST	PORTJ Digital I/Os	
RJ1	—	—	E5	I/O	DIG/ST		

Legend: TTL = TTL input buffer
ANA = Analog-level input/output
DIG = Digital input/output
SMB = SMBus
ST = Schmitt Trigger input buffer
I²C = I²C/SMBus input buffer
XCVR = Dedicated transceiver

PIC24FJ256GA412/GB412 FAMILY

TABLE 1-5: PIC24FJ256GB412 FAMILY PINOUT DESCRIPTION (CONTINUED)

Pin Function	Pin/Pad Number			I/O	Input Buffer	Description
	64-Pin TQFP	100-Pin TQFP	121-Pin TFBGA			
RP0	16	25	K2	I/O	DIG/ST	Remappable Peripherals (Input or Output)
RP1	15	24	K1	I/O	DIG/ST	
RP2	42	68	E9	I/O	DIG/ST	
RP3	44	70	D11	I/O	DIG/ST	
RP4	43	69	E10	I/O	DIG/ST	
RP5	—	48	K9	I/O	DIG/ST	
RP6	17	26	L1	I/O	DIG/ST	
RP7	18	27	J3	I/O	DIG/ST	
RP8	21	32	K4	I/O	DIG/ST	
RP9	22	33	L4	I/O	DIG/ST	
RP10	31	49	L10	I/O	DIG/ST	
RP11	46	72	D9	I/O	DIG/ST	
RP12	45	71	C11	I/O	DIG/ST	
RP13	14	23	J2	I/O	DIG/ST	
RP14	29	43	K7	I/O	DIG/ST	
RP15	—	53	J10	I/O	DIG/ST	
RP16	33	51	K10	I/O	DIG/ST	
RP17	32	50	L11	I/O	DIG/ST	
RP18	11	20	H1	I/O	DIG/ST	
RP19	6	12	F2	I/O	DIG/ST	
RP20	53	82	B8	I/O	DIG/ST	
RP21	4	10	E3	I/O	DIG/ST	
RP22	51	78	B9	I/O	DIG/ST	
RP23	50	77	A10	I/O	DIG/ST	
RP24	49	76	A11	I/O	DIG/ST	
RP25	52	81	C8	I/O	DIG/ST	
RP26	5	11	F4	I/O	DIG/ST	
RP27	8	14	F3	I/O	DIG/ST	
RP28	12	21	H2	I/O	DIG/ST	
RP29	30	44	L8	I/O	DIG/ST	
RP30	—	52	K11	I/O	DIG/ST	
RP31	—	39	L6	I/O	DIG/ST	

Legend: TTL = TTL input buffer
ANA = Analog-level input/output
DIG = Digital input/output
SMB = SMBus

ST = Schmitt Trigger input buffer
I²C = I²C/SMBus input buffer
XCVR = Dedicated transceiver

PIC24FJ256GA412/GB412 FAMILY

TABLE 1-5: PIC24FJ256GB412 FAMILY PINOUT DESCRIPTION (CONTINUED)

Pin Function	Pin/Pad Number			I/O	Input Buffer	Description
	64-Pin TQFP	100-Pin TQFP	121-Pin TFBGA			
RPI32	—	40	K6	I	ST	Remappable Peripherals (Input only)
RPI33	—	18	G1	I	ST	
RPI34	—	19	G2	I	ST	
RPI35	—	67	E8	I	ST	
RPI36	—	66	E11	I	ST	
RPI37	48	74	B11	I	ST	
RPI38	—	6	D1	I	ST	
RPI39	—	7	E4	I	ST	
RPI40	—	8	E2	I	ST	
RPI41	—	9	E1	I	ST	
RPI42	—	79	A9	I	ST	
RPI43	—	47	L9	I	ST	
RTCC	42	68	E9	O	DIGMV	
SCK4	59	88	A6	I/O	DIG/ST	SPI4 Clock
SCL1	44	66	E11	I/O	DIG/I2C/SMB	I2C1 Synchronous Serial Clock Input/Output
SCL2	32	58	H11	I/O	DIG/I2C/SMB	I2C2 Synchronous Serial Clock Input/Output
SCL3	2	4	C1	I/O	DIG/I2C/SMB	I2C3 Synchronous Serial Clock Input/Output
SDA1	43	67	E8	I/O	DIG/I2C/SMB	I2C1 Data Input/Output
SDA2	31	59	G10	I/O	DIG/I2C/SMB	I2C2 Data Input/Output
SDA3	3	5	D2	I/O	DIG/I2C/SMB	I2C3 Data Input/Output
SDI4	28	42	L7	I	ST	SPI4 Data Input
SDO4	23	34	H5	O	DIG	SPI4 Data Output

Legend: TTL = TTL input buffer
 ANA = Analog-level input/output
 DIG = Digital input/output
 SMB = SMBus

ST = Schmitt Trigger input buffer
 I²C = I²C/SMBus input buffer
 XCVR = Dedicated transceiver

PIC24FJ256GA412/GB412 FAMILY

TABLE 1-5: PIC24FJ256GB412 FAMILY PINOUT DESCRIPTION (CONTINUED)

Pin Function	Pin/Pad Number			I/O	Input Buffer	Description
	64-Pin TQFP	100-Pin TQFP	121-Pin TFBGA			
SEG0	4	10	E3	O	ANA	LCD Driver Segment Outputs
SEG1	8	14	F3	O	ANA	
SEG2	11	20	H1	O	ANA	
SEG3	12	21	H2	O	ANA	
SEG4	13	22	J1	O	ANA	
SEG5	14	23	J2	O	ANA	
SEG6	15	24	K1	O	ANA	
SEG7	16	25	K2	O	ANA	
SEG8	29	43	K7	O	ANA	
SEG9	30	44	L8	O	ANA	
SEG10	31	49	L10	O	ANA	
SEG11	32	50	L11	O	ANA	
SEG12	33	51	K10	O	ANA	
SEG13	42	68	E9	O	ANA	
SEG14	43	69	E10	O	ANA	
SEG15	44	70	D11	O	ANA	
SEG16	45	71	C11	O	ANA	
SEG17	46	72	D9	O	ANA	
SEG18	27	41	J7	O	ANA	
SEG19	28	42	L7	O	ANA	
SEG20	49	76	A11	O	ANA	
SEG21	50	77	A10	O	ANA	
SEG22	51	78	B9	O	ANA	
SEG23	52	81	C8	O	ANA	
SEG24	53	82	B8	O	ANA	
SEG25	54	83	D7	O	ANA	
SEG26	55	84	C7	O	ANA	
SEG27	58	87	B6	O	ANA	
SEG28	—	61	G9	O	ANA	
SEG29	23	34	H5	O	ANA	
SEG30	22	33	L4	O	ANA	
SEG31	21	32	K4	O	ANA	
SEG32	—	6	D1	O	ANA	
SEG33	—	8	E2	O	ANA	
SEG34	—	18	G1	O	ANA	
SEG35	—	19	G2	O	ANA	
SEG36	—	28	L2	O	ANA	
SEG37	—	29	K3	O	ANA	
SEG38	—	47	L9	O	ANA	
SEG39	—	48	K9	O	ANA	
SEG40	—	52	K11	O	ANA	

Legend: TTL = TTL input buffer
ANA = Analog-level input/output
DIG = Digital input/output
SMB = SMBus

ST = Schmitt Trigger input buffer
I²C = I²C/SMBus input buffer
XCVR = Dedicated transceiver

PIC24FJ256GA412/GB412 FAMILY

TABLE 1-5: PIC24FJ256GB412 FAMILY PINOUT DESCRIPTION (CONTINUED)

Pin Function	Pin/Pad Number			I/O	Input Buffer	Description	
	64-Pin TQFP	100-Pin TQFP	121-Pin TFBGA				
SEG41	—	53	J10	O	ANA	LCD Driver Segment Outputs	
SEG42	—	66	E11	O	ANA		
SEG43	—	67	E8	O	ANA		
SEG44	—	79	A9	O	ANA		
SEG45	—	80	D8	O	ANA		
SEG46	—	89	E6	O	ANA		
SEG47	59	88	A6	O	ANA		
SEG48	—	17	G3	O	ANA		
SEG49	—	90	A5	O	ANA		
SEG50	—	1	B2	O	ANA		
SEG51	—	7	E4	O	ANA		
SEG52	—	9	E1	O	ANA		
SEG53	—	39	L6	O	ANA		
SEG54	—	40	K6	O	ANA		
SEG55	—	58	H11	O	ANA		
SEG56	—	59	G10	O	ANA		
SEG57	—	91	C5	O	ANA		
SEG58	—	92	B5	O	ANA		
SEG59	—	95	C4	O	ANA		
SEG60	—	96	C3	O	ANA		
SEG61	—	97	A3	O	ANA		
SEG62	64	100	A1	O	ANA		
SEG63	18	27	J3	O	ANA		
SOSCI	47	73	C10	—	—		Secondary Oscillator/Timer1 Clock Input
SOSCO	48	74	B11	—	—		Secondary Oscillator/Timer1 Clock Output
SS4/FSYNC4	24	35	K5	I/O	DIG/ST		SPI4 Slave Select/Frame Sync
T1CK	22	33	L4	I	ST		Timer1 Clock
TCK	27	38	J6	I	ST		JTAG Test Clock/Programming Clock Input
TDI	28	60	G11	I	ST		JTAG Test Data/Programming Data Input
TDO	24	61	G9	O	DIG		JTAG Test Data Output
TMPR	22	33	L4	—	—	Tamper Detect Input	
TMS	23	17	G3	I	ST	JTAG Test Mode Select Input	
U5CTS	58	87	B6	I	ST	UART5 Clear-to-Send Output	
U5RTS/U5BCLK	55	84	C7	O	DIG	UART5 Request-to-Send Input	
U5RX	54	83	D7	I	ST	UART5 Receive Input	
U5TX	49	76	A11	O	DIG	UART5 Transmit Output	
U6CTS	46	72	D9	I	ST	UART6 Clear-to-Send Output	
U6RTS/U6BCLK	42	68	E9	O	DIG	UART6 Request-to-Send Input	
U6RX	27	41	J7	I	ST	UART6 Receive Input	
U6TX	18	27	J3	O	DIG	UART6 Transmit Output	

Legend: TTL = TTL input buffer
ANA = Analog-level input/output
DIG = Digital input/output
SMB = SMBus

ST = Schmitt Trigger input buffer
I²C = I²C/SMBus input buffer
XCVR = Dedicated transceiver

PIC24FJ256GA412/GB412 FAMILY

TABLE 1-5: PIC24FJ256GB412 FAMILY PINOUT DESCRIPTION (CONTINUED)

Pin Function	Pin/Pad Number			I/O	Input Buffer	Description
	64-Pin TQFP	100-Pin TQFP	121-Pin TFBGA			
USBID	33	51	K10	I	ST	USB OTG ID Input
USBOEN	12	21	H2	O	DIG	USB Output Enable (active-low)
VBAT	57	86	A7	P	—	Backup Battery
VBUS	34	54	H8	P	—	VBUS Supply
VCAP	56	85	B7	I/O	—	External Filter Capacitor Connection (regulator enabled)
VDD	10,26,38	2,16,37,46,62	C2,G5,H6,K8,F8,E7	P	—	Positive Supply for Peripheral Digital Logic and I/O Pins
VDD	—	—	D6	P	—	
VLCAP1	5	11	F4	O	ANA	LCD Drive Charge Pump Capacitor Inputs
VLCAP2	6	12	F2	O	ANA	
VREF+	16	25,29	K2,K3	I	ANA	Comparator and A/D Reference Voltage (high) Input
VREF-	15	24,28	K1,L2	I	ANA	Comparator and A/D Reference Voltage (low) Input
VSS	9,25,41	15,36,45,65,75	F5,G6,G7,F10,D10,B10	P	—	Ground Reference for Peripheral Digital Logic and I/O Pins
VSS	—	—	C6	P	—	
VUSB3V3	35	55	H9	P	—	3.3V VUSB

Legend: TTL = TTL input buffer
 ANA = Analog-level input/output
 DIG = Digital input/output
 SMB = SMBus

ST = Schmitt Trigger input buffer
 I²C = I²C/SMBus input buffer
 XCVR = Dedicated transceiver

PIC24FJ256GA412/GB412 FAMILY

2.0 GUIDELINES FOR GETTING STARTED WITH 16-BIT MICROCONTROLLERS

2.1 Basic Connection Requirements

Getting started with the PIC24FJ256GA412/GB412 family of 16-bit microcontrollers requires attention to a minimal set of device pin connections before proceeding with development.

The following pins must always be connected:

- All VDD and VSS pins (see [Section 2.2 “Power Supply Pins”](#))
- All analog power pins (AVDD and AVSS), regardless of whether or not the analog device features are used (see [Section 2.2 “Power Supply Pins”](#))
- The USB transceiver supply, VUSB3V3, regardless of whether or not the USB module is used (see [Section 2.2 “Power Supply Pins”](#))
- MCLR pin (see [Section 2.3 “Master Clear \(MCLR\) Pin”](#))
- VCAP pin (see [Section 2.4 “Voltage Regulator Pin \(VCAP\)”](#))

These pins must also be connected if they are being used in the end application:

- PGECx/PGEDx pins used for In-Circuit Serial Programming™ (ICSP™) and debugging purposes (see [Section 2.5 “ICSP Pins”](#))
- OSCI and OSCO pins when an external oscillator source is used (see [Section 2.6 “External Oscillator Pins”](#))

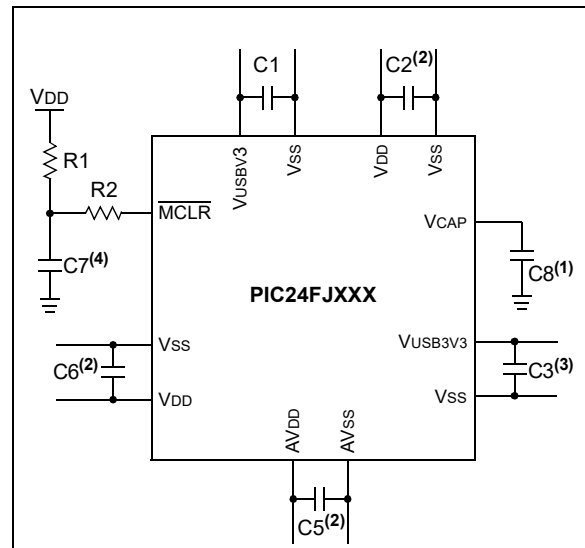
Additionally, the following pins may be required:

- Any voltage reference pins used when external voltage reference for analog modules is implemented (AVREF+/AVREF-, CVREF+/CVREF- and DVREF+)

Note: All analog power supply and return pins must always be connected, regardless of whether any of the analog modules are being used.

The minimum mandatory connections are shown in [Figure 2-1](#).

FIGURE 2-1: RECOMMENDED MINIMUM CONNECTIONS



Key (all values are recommendations):

C1 through C7: 0.1 μ F, 20V ceramic

C8: 10 μ F, 6.3V or greater, tantalum or ceramic

R1: 10 k Ω

R2: 100 Ω to 470 Ω

- Note**
- 1: See [Section 2.4 “Voltage Regulator Pin \(VCAP\)”](#) for details on selecting the proper capacitor for VCAP.
 - 2: The example shown is for a PIC24F device with five power and ground pairs (including analog and USB). Other devices may have more or less pairs; adjust the number of decoupling capacitors appropriately.
 - 3: Implemented on PIC24FJXXXGB4XX devices only. See [Section 20.1 “Hardware Configuration”](#) for details on connecting the pins for USB operation.
 - 4: C1 is optional, see [Section 2.3 “Master Clear \(MCLR\) Pin”](#) and [Section 2.5 “ICSP Pins”](#) for more information.

PIC24FJ256GA412/GB412 FAMILY

2.2 Power Supply Pins

2.2.1 DECOUPLING CAPACITORS

The use of decoupling capacitors on every pair of power supply pins is required. This includes digital supply (VDD and VSS) and all analog supplies (AVDD and AVSS).

Consider the following criteria when using decoupling capacitors:

- **Value and type of capacitor:** A 0.1 μF (100 nF), 10-20V capacitor is recommended. The capacitor should be a low-ESR device with a resonance frequency in the range of 200 MHz and higher. Ceramic capacitors are recommended.
- **Placement on the printed circuit board:** The decoupling capacitors should be placed as close to the pins as possible. It is recommended to place the capacitors on the same side of the board as the device. If space is constricted, the capacitor can be placed on another layer on the PCB using a via; however, ensure that the trace length from the pin to the capacitor is no greater than 0.25 inch (6 mm).
- **Handling high-frequency noise:** If the board is experiencing high-frequency noise (upward of tens of MHz), add a second ceramic type capacitor in parallel to the above described decoupling capacitor. The value of the second capacitor can be in the range of 0.01 μF to 0.001 μF . Place this second capacitor next to each primary decoupling capacitor. In high-speed circuit designs, consider implementing a pair of capacitances as close to the power and ground pins as possible (e.g., 0.1 μF in parallel with 0.001 μF).
- **Maximizing performance:** On the board layout from the power supply circuit, run the power and return traces to the decoupling capacitors first, and then to the device pins. This ensures that the decoupling capacitors are first in the power chain. Equally important is to keep the trace length between the capacitor and the power pins to a minimum, thereby reducing PCB trace inductance.

2.2.2 BULK CAPACITORS

On boards with power traces running longer than six inches in length, it is suggested to use a tank capacitor for integrated circuits including microcontrollers to supply a local power source. The value of the tank capacitor should be determined based on the trace resistance that connects the power supply source to the device, and the maximum current drawn by the device in the application. In other words, select the tank capacitor so that it meets the acceptable voltage sag at the device. Typical values range from 4.7 μF to 47 μF .

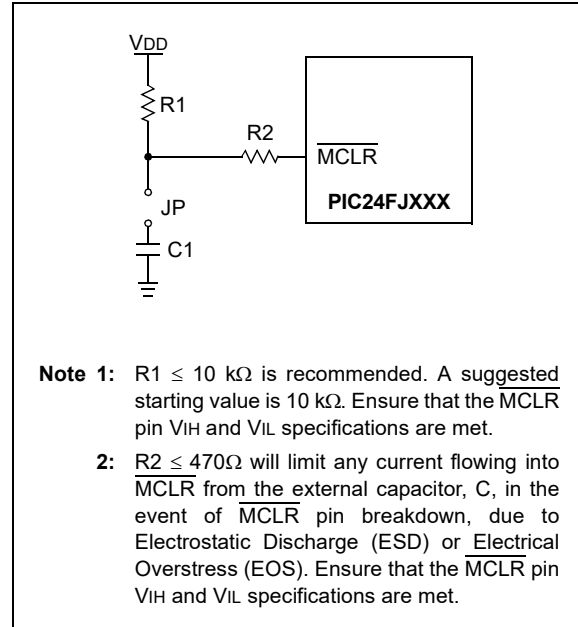
2.3 Master Clear ($\overline{\text{MCLR}}$) Pin

The $\overline{\text{MCLR}}$ pin provides two specific device functions: device Reset, and device programming and debugging. If programming and debugging are not required in the end application, a direct connection to VDD may be all that is required. The addition of other components, to help increase the application's resistance to spurious Resets from voltage sags, may be beneficial. A typical configuration is shown in Figure 2-1. Other circuit designs may be implemented, depending on the application's requirements.

During programming and debugging, the resistance and capacitance that can be added to the pin must be considered. Device programmers and debuggers drive the $\overline{\text{MCLR}}$ pin. Consequently, specific voltage levels (V_{IH} and V_{IL}) and fast signal transitions must not be adversely affected. Therefore, specific values of R1 and C1 will need to be adjusted based on the application and PCB requirements. For example, it is recommended that the capacitor, C1, be isolated from the $\overline{\text{MCLR}}$ pin during programming and debugging operations by using a jumper (Figure 2-2). The jumper is replaced for normal run-time operations.

Any components associated with the $\overline{\text{MCLR}}$ pin should be placed within 0.25 inch (6 mm) of the pin.

FIGURE 2-2: EXAMPLE OF $\overline{\text{MCLR}}$ PIN CONNECTIONS



PIC24FJ256GA412/GB412 FAMILY

2.4 Voltage Regulator Pin (VCAP)

A low-ESR ($< 5\Omega$) capacitor is required on the VCAP pin to stabilize the output voltage of the on-chip voltage regulator. The VCAP pin must not be connected to VDD and must use a capacitor of $10\ \mu\text{F}$ connected to ground. The type can be ceramic or tantalum. Suitable examples of capacitors are shown in Table 2-1. Capacitors with equivalent specification can be used.

The placement of this capacitor should be close to VCAP. It is recommended that the trace length not exceed 0.25 inch (6 mm). Refer to Section 36.0 “Critical Characteristics” for additional information.

Designers may use Figure 2-3 to evaluate ESR equivalence of candidate devices.

Refer to Section 33.2 “On-Chip Voltage Regulator” for details on connecting and using the on-chip regulator.

FIGURE 2-3: FREQUENCY vs. ESR PERFORMANCE FOR SUGGESTED VCAP

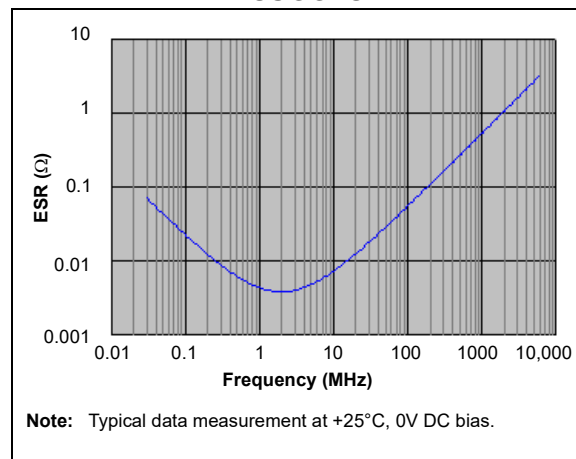


TABLE 2-1: SUITABLE CAPACITOR EQUIVALENTS⁽¹⁾

Make	Part #	Nominal Capacitance	Base Tolerance	Rated Voltage	Temp. Range
TDK	C3216X7R1C106K	10 μF	$\pm 10\%$	16V	-55 to +125°C
TDK	C3216X5R1C106K	10 μF	$\pm 10\%$	16V	-55 to +85°C
Panasonic	ECJ-3YX1C106K	10 μF	$\pm 10\%$	16V	-55 to +125°C
Panasonic	ECJ-4YB1C106K	10 μF	$\pm 10\%$	16V	-55 to +85°C
Murata	GRM32DR71C106KA01L	10 μF	$\pm 10\%$	16V	-55 to +125°C
Murata	GRM31CR61C106KC31L	10 μF	$\pm 10\%$	16V	-55 to +85°C

Note 1: Microchip cannot ensure the active or obsolete manufacturing status for these components. In the case a component is obsolete, substitute with a component that has similar specifications.

PIC24FJ256GA412/GB412 FAMILY

2.4.1 CONSIDERATIONS FOR CERAMIC CAPACITORS

In recent years, large value, low-voltage, surface-mount ceramic capacitors have become very cost effective in sizes up to a few tens of microfarad. The low-ESR, small physical size and other properties make ceramic capacitors very attractive in many types of applications.

Ceramic capacitors are suitable for use with the internal voltage regulator of this microcontroller. However, some care is needed in selecting the capacitor to ensure that it maintains sufficient capacitance over the intended operating range of the application.

Typical low-cost, 10 μF ceramic capacitors are available in X5R, X7R and Y5V dielectric ratings (other types are also available, but are less common). The initial tolerance specifications for these types of capacitors are often specified as $\pm 10\%$ to $\pm 20\%$ (X5R and X7R), or $-20\%/+80\%$ (Y5V). However, the effective capacitance that these capacitors provide in an application circuit will also vary based on additional factors, such as the applied DC bias voltage and the temperature. The total in-circuit tolerance is, therefore, much wider than the initial tolerance specification.

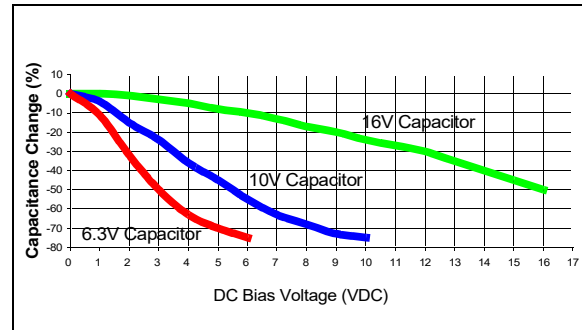
The X5R and X7R capacitors typically exhibit satisfactory temperature stability (i.e., $\pm 15\%$ over a wide temperature range, but consult the manufacturer's data sheets for exact specifications). However, Y5V capacitors typically have extreme temperature tolerance specifications of $+22\%/-82\%$. Due to the extreme temperature tolerance, a 10 μF nominal rated Y5V type capacitor may not deliver enough total capacitance to meet minimum internal voltage regulator stability and transient response requirements. Therefore, Y5V capacitors are not recommended for use with the internal regulator if the application must operate over a wide temperature range.

In addition to temperature tolerance, the effective capacitance of large value ceramic capacitors can vary substantially, based on the amount of DC voltage applied to the capacitor. This effect can be very significant, but is often overlooked or is not always documented.

Typical DC bias voltage vs. capacitance graph for X7R type capacitors is shown in [Figure 2-4](#).

When selecting a ceramic capacitor to be used with the internal voltage regulator, it is suggested to select a high-voltage rating, so that the operating voltage is a small percentage of the maximum rated capacitor voltage. For example, choose a ceramic capacitor rated at 16V for the 2.5V or 1.8V core voltage. Suggested capacitors are shown in [Table 2-1](#).

FIGURE 2-4: DC BIAS VOLTAGE vs. CAPACITANCE CHARACTERISTICS



2.5 ICSP Pins

The PGECx and PGEDx pins are used for In-Circuit Serial Programming (ICSP) and debugging purposes. It is recommended to keep the trace length between the ICSP connector and the ICSP pins on the device as short as possible. If the ICSP connector is expected to experience an ESD event, a series resistor is recommended, with the value in the range of a few tens of ohms, not to exceed 100 Ω .

Pull-up resistors, series diodes and capacitors on the PGECx and PGEDx pins are not recommended as they will interfere with the programmer/debugger communications to the device. If such discrete components are an application requirement, they should be removed from the circuit during programming and debugging. Alternatively, refer to the AC/DC characteristics and timing requirements information in the respective device Flash programming specification for information on capacitive loading limits and pin Voltage Input High (VIH) and Voltage Input Low (VIL) requirements.

For device emulation, ensure that the "Communication Channel Select" (i.e., PGECx/PGEDx pins), programmed into the device, matches the physical connections for the ICSP to the Microchip debugger/emulator tool.

The $\overline{\text{MCLR}}$ connection from the ICSP header should connect directly to the $\overline{\text{MCLR}}$ pin on the device. A capacitor to ground (C1 in [Figure 2-2](#)) is optional, but if used, may interfere with ICSP operation if the value exceeds 0.01 μF . In most cases, this capacitor is not required.

For more information on available Microchip development tools connection requirements, refer to [Section 34.0 "Development Support"](#).

PIC24FJ256GA412/GB412 FAMILY

2.6 External Oscillator Pins

Many microcontrollers have options for at least two oscillators: a high-frequency Primary Oscillator and a low-frequency Secondary Oscillator (refer to [Section 9.0 “Oscillator Configuration”](#) for details).

The oscillator circuit should be placed on the same side of the board as the device. Place the oscillator circuit close to the respective oscillator pins with no more than 0.5 inch (12 mm) between the circuit components and the pins. The load capacitors should be placed next to the oscillator itself, on the same side of the board.

Use a grounded copper pour around the oscillator circuit to isolate it from surrounding circuits. The grounded copper pour should be routed directly to the MCU ground. Do not run any signal traces or power traces inside the ground pour. Also, if using a two-sided board, avoid any traces on the other side of the board where the crystal is placed.

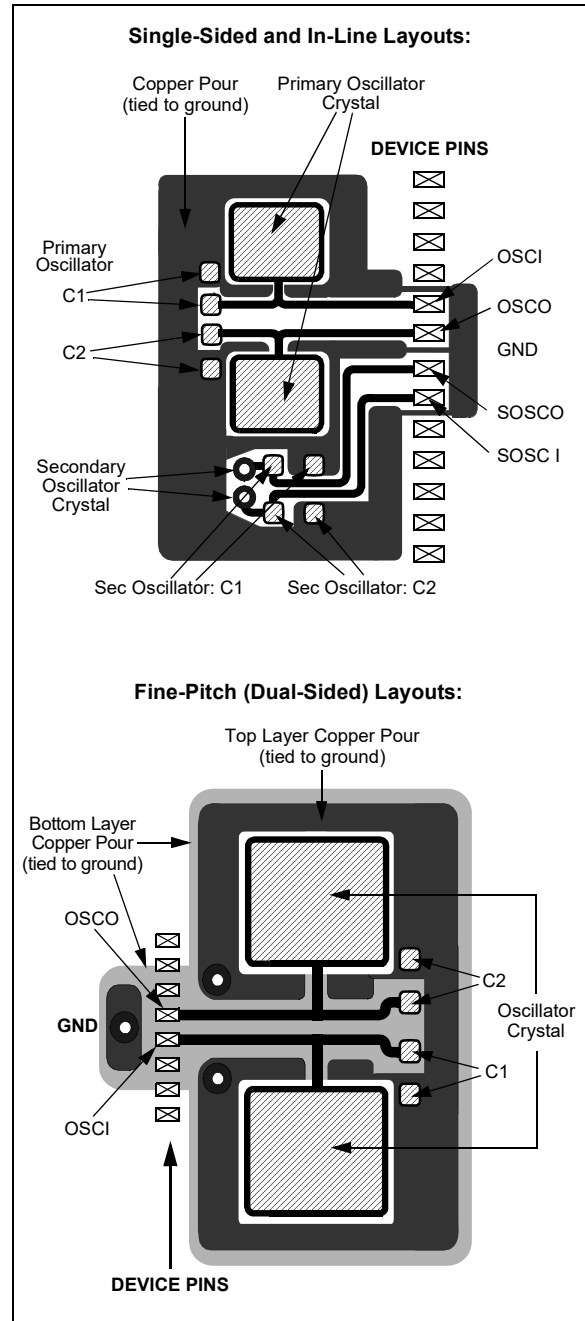
Layout suggestions are shown in [Figure 2-5](#). In-line packages may be handled with a single-sided layout that completely encompasses the oscillator pins. With fine-pitch packages, it is not always possible to completely surround the pins and components. A suitable solution is to tie the broken guard sections to a mirrored ground layer. In all cases, the guard trace(s) must be returned to ground.

In planning the application's routing and I/O assignments, ensure that adjacent port pins, and other signals in close proximity to the oscillator, are benign (i.e., free of high frequencies, short rise and fall times, and other similar noise).

For additional information and design guidance on oscillator circuits, please refer to these Microchip Application Notes, available at the corporate website (www.microchip.com):

- AN943, “*Practical PICmicro® Oscillator Analysis and Design*”
- AN949, “*Making Your Oscillator Work*”
- AN1798, “*Crystal Selection for Low-Power Secondary Oscillator*”

FIGURE 2-5: SUGGESTED PLACEMENT OF THE OSCILLATOR CIRCUIT



PIC24FJ256GA412/GB412 FAMILY

2.7 Configuration of Analog and Digital Pins During ICSP Operations

If an ICSP compliant emulator is selected as a debugger, it automatically initializes all of the A/D input pins (ANx) as “digital” pins. This is done by clearing all bits in the ANSx registers. Refer to [Section 11.2 “Configuring Analog Port Pins \(ANSx\)”](#) for more specific information.

The bits in these registers that correspond to the A/D pins that initialized the emulator must not be changed by the user application; otherwise, communication errors will result between the debugger and the device.

If your application needs to use certain A/D pins as analog input pins during the debug session, it must set the bits corresponding to the pin(s) to be configured as analog. Do not change any other bits, particularly those corresponding to the PGECx/PGEDx pair, at any time.

When a Microchip debugger/emulator is used as a programmer, the user application must correctly configure the ANSx registers. Automatic initialization of these registers is only done during debugger operation. Failure to correctly configure the register(s) will result in all A/D pins being recognized as analog input pins, resulting in the port value being read as a logic ‘0’, which may affect user application functionality.

2.8 Unused I/Os

Unused I/O pins should be configured as outputs and driven to a logic low state. Alternatively, connect a 1 k Ω to 10 k Ω resistor to Vss on unused pins and drive the output to logic low.

PIC24FJ256GA412/GB412 FAMILY

3.0 CPU

Note: This data sheet summarizes the features of this group of PIC24F devices. It is not intended to be a comprehensive reference source. For more information on the CPU, refer to the “*dsPIC33/PIC24 Family Reference Manual*”, “**CPU with Extended Data Space (EDS)**” (www.microchip.com/DS39732). The information in this data sheet supersedes the information in the FRM.

The PIC24F CPU has a 16-bit (data) modified Harvard architecture with an enhanced instruction set and a 24-bit instruction word with a variable length opcode field. The Program Counter (PC) is 23 bits wide and addresses up to 4M instructions of user program memory space. A single-cycle instruction prefetch mechanism is used to help maintain throughput and provides predictable execution. All instructions execute in a single cycle, with the exception of instructions that change the program flow, the double-word move (MOV.D) instruction and the table instructions. Overhead-free program loop constructs are supported using the REPEAT instructions, which are interruptible at any point.

PIC24F devices have sixteen, 16-bit Working registers in the programmer’s model. Each of the Working registers can act as a data, address or address offset register. The 16th Working register (W15) operates as a Software Stack Pointer (SSP) for interrupts and calls.

The lower 32 Kbytes of the Data Space (DS) can be accessed linearly. The upper 32 Kbytes of the Data Space are referred to as Extended Data Space to which the extended data RAM, EPMP memory space or program memory can be mapped.

The Instruction Set Architecture (ISA) has been significantly enhanced beyond that of the PIC18, but maintains an acceptable level of backward compatibility. All PIC18 instructions and addressing modes are supported, either directly, or through simple macros. Many of the ISA enhancements have been driven by compiler efficiency needs.

The core supports Inherent (no operand), Relative, Literal and Memory Direct Addressing modes, along with three groups of addressing modes. All modes support Register Direct and various Register Indirect modes. Each group offers up to seven addressing modes. Instructions are associated with predefined addressing modes depending upon their functional requirements.

For most instructions, the core is capable of executing a data (or program data) memory read, a Working register (data) read, a data memory write and a program (instruction) memory read per instruction cycle. As a result, three parameter instructions can be supported, allowing trinary operations (that is, $A + B = C$) to be executed in a single cycle.

A high-speed, 17-bit x 17-bit multiplier has been included to significantly enhance the core arithmetic capability and throughput. The multiplier supports Signed, Unsigned and Mixed mode, 16-bit x 16-bit or 8-bit x 8-bit, integer multiplication. All multiply instructions execute in a single cycle.

The 16-bit ALU has been enhanced with integer divide assist hardware that supports an iterative non-restoring divide algorithm. It operates in conjunction with the REPEAT instruction looping mechanism and a selection of iterative divide instructions to support 32-bit (or 16-bit), divided by 16-bit, integer signed and unsigned division. All divide operations require 19 cycles to complete but are interruptible at any cycle boundary.

The PIC24F has a vectored exception scheme with up to 8 sources of non-maskable traps and up to 118 interrupt sources. Each interrupt source can be assigned to one of seven priority levels.

A block diagram of the CPU is shown in [Figure 3-1](#).

3.1 Programmer’s Model

The programmer’s model for the PIC24F is shown in [Figure 3-2](#). All registers in the programmer’s model are memory-mapped and can be manipulated directly by instructions.

A description of each register is provided in [Table 3-1](#). All registers associated with the programmer’s model are memory-mapped.

PIC24FJ256GA412/GB412 FAMILY

FIGURE 3-1: PIC24F CPU CORE BLOCK DIAGRAM

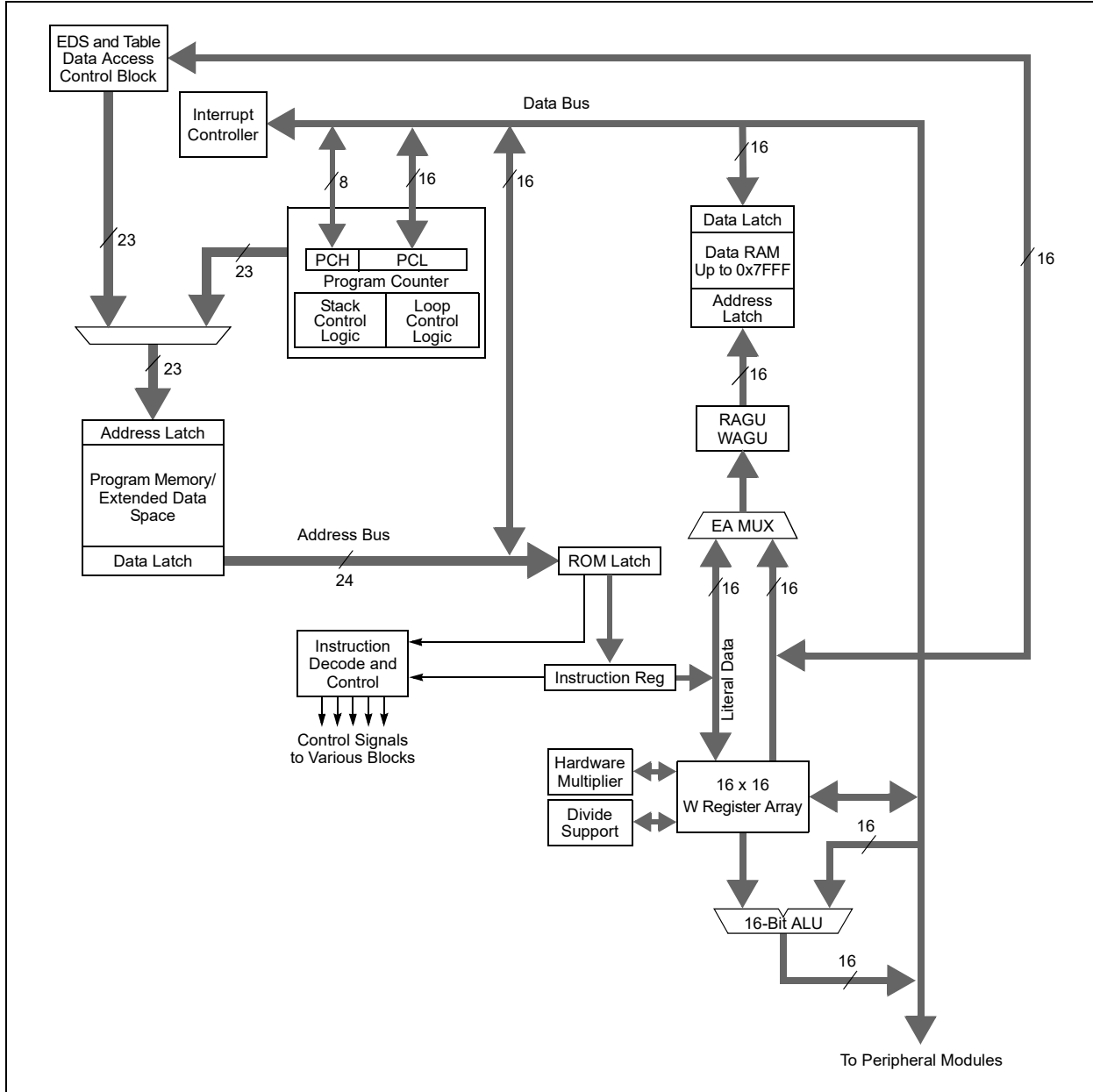
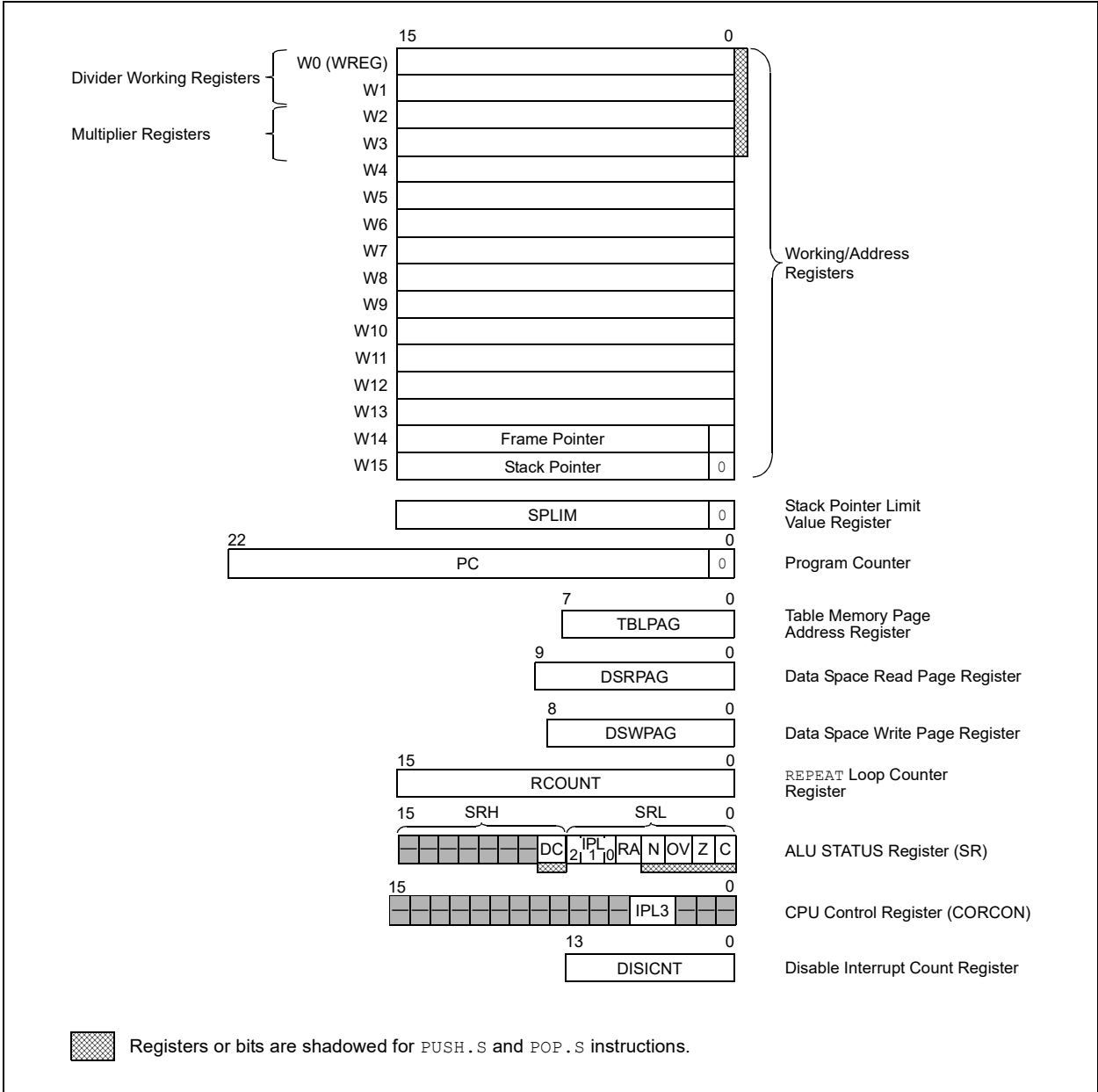


TABLE 3-1: CPU CORE REGISTERS

Register(s) Name	Description
W0 through W15	Working Register Array
PC	23-Bit Program Counter
SR	ALU STATUS Register
SPLIM	Stack Pointer Limit Value Register
TBLPAG	Table Memory Page Address Register
RCOUNT	REPEAT Loop Counter Register
CORCON	CPU Control Register
DISICNT	Disable Interrupt Count Register
DSRPAG	Data Space Read Page Register
DSWPAG	Data Space Write Page Register

PIC24FJ256GA412/GB412 FAMILY

FIGURE 3-2: PROGRAMMER'S MODEL



PIC24FJ256GA412/GB412 FAMILY

3.2 CPU Control Registers

REGISTER 3-1: SR: ALU STATUS REGISTER

U-0	U-0	U-0	U-0	U-0	U-0	U-0	R/W-0
—	—	—	—	—	—	—	DC
bit 15							bit 8

R/W-0 ⁽¹⁾	R/W-0 ⁽¹⁾	R/W-0 ⁽¹⁾	R-0	R/W-0	R/W-0	R/W-0	R/W-0
IPL2 ⁽²⁾	IPL1 ⁽²⁾	IPL0 ⁽²⁾	RA	N	OV	Z	C
bit 7							bit 0

Legend:

R = Readable bit	W = Writable bit	U = Unimplemented bit, read as '0'
-n = Value at POR	'1' = Bit is set	'0' = Bit is cleared
		x = Bit is unknown

- bit 15-9 **Unimplemented:** Read as '0'
- bit 8 **DC:** ALU Half Carry/Borrow bit
 1 = A carry out from the 4th low-order bit (for byte-sized data) or 8th low-order bit (for word-sized data) of the result occurred
 0 = No carry out from the 4th or 8th low-order bit of the result has occurred
- bit 7-5 **IPL[2:0]:** CPU Interrupt Priority Level Status bits^(1,2)
 111 = CPU Interrupt Priority Level is 7 (15); user interrupts are disabled
 110 = CPU Interrupt Priority Level is 6 (14)
 101 = CPU Interrupt Priority Level is 5 (13)
 100 = CPU Interrupt Priority Level is 4 (12)
 011 = CPU Interrupt Priority Level is 3 (11)
 010 = CPU Interrupt Priority Level is 2 (10)
 001 = CPU Interrupt Priority Level is 1 (9)
 000 = CPU Interrupt Priority Level is 0 (8)
- bit 4 **RA:** REPEAT Loop Active bit
 1 = REPEAT loop is in progress
 0 = REPEAT loop is not in progress
- bit 3 **N:** ALU Negative bit
 1 = Result was negative
 0 = Result was not negative (zero or positive)
- bit 2 **OV:** ALU Overflow bit
 1 = Overflow occurred for signed (two's complement) arithmetic in this arithmetic operation
 0 = No overflow has occurred
- bit 1 **Z:** ALU Zero bit
 1 = An operation, which affects the Z bit, has set it at some time in the past
 0 = The most recent operation, which affects the Z bit, has cleared it (i.e., a non-zero result)
- bit 0 **C:** ALU Carry/Borrow bit
 1 = A carry out from the Most Significant bit (MSb) of the result occurred
 0 = No carry out from the Most Significant bit of the result occurred

- Note 1:** The IPLx Status bits are read-only when NSTDIS (INTCON1[15]) = 1.
- Note 2:** The IPLx Status bits are concatenated with the IPL3 Status (CORCON[3]) bit to form the CPU Interrupt Priority Level (IPL). The value in parentheses indicates the IPL when IPL3 = 1.

PIC24FJ256GA412/GB412 FAMILY

REGISTER 3-2: CORCON: CPU CORE CONTROL REGISTER

U-0	U-0	U-0	U-0	U-0	U-0	U-0	U-0
—	—	—	—	—	—	—	—
bit 15						bit 8	

U-0	U-0	U-0	U-0	R/C-0	r-1	U-0	U-0
—	—	—	—	IPL3 ⁽¹⁾	—	—	—
bit 7				bit 0			

Legend:	C = Clearable bit	r = Reserved bit
R = Readable bit	W = Writable bit	U = Unimplemented bit, read as '0'
-n = Value at POR	'1' = Bit is set	'0' = Bit is cleared x = Bit is unknown

- bit 15-4 **Unimplemented:** Read as '0'
- bit 3 **IPL3:** CPU Interrupt Priority Level Status bit⁽¹⁾
 1 = CPU Interrupt Priority Level is greater than 7
 0 = CPU Interrupt Priority Level is 7 or less
- bit 2 **Reserved:** Read as '1'
- bit 1-0 **Unimplemented:** Read as '0'

Note 1: The IPL3 bit is concatenated with the IPL[2:0] bits (SR[7:5]) to form the CPU Interrupt Priority Level; see [Register 3-1](#) for bit description.

PIC24FJ256GA412/GB412 FAMILY

3.3 Arithmetic Logic Unit (ALU)

The PIC24F ALU is 16 bits wide and is capable of addition, subtraction, bit shifts and logic operations. Unless otherwise mentioned, arithmetic operations are two's complement in nature. Depending on the operation, the ALU may affect the values of the Carry (C), Zero (Z), Negative (N), Overflow (OV) and Digit Carry (DC) Status bits in the SR register. The C and DC Status bits operate as Borrow and Digit Borrow bits, respectively, for subtraction operations.

The ALU can perform 8-bit or 16-bit operations depending on the mode of the instruction that is used. Data for the ALU operation can come from the W register array, or data memory, depending on the addressing mode of the instruction. Likewise, output data from the ALU can be written to the W register array or a data memory location.

The PIC24F CPU incorporates hardware support for both multiplication and division. This includes a dedicated hardware multiplier and support hardware for 16-bit divisor division.

3.3.1 MULTIPLIER

The ALU contains a high-speed, 17-bit x 17-bit multiplier. It supports unsigned, signed or mixed sign operation in several multiplication modes:

- 16-bit x 16-bit signed
- 16-bit x 16-bit unsigned
- 16-bit signed x 5-bit (literal) unsigned
- 16-bit unsigned x 16-bit unsigned
- 16-bit unsigned x 5-bit (literal) unsigned
- 16-bit unsigned x 16-bit signed
- 8-bit unsigned x 8-bit unsigned

3.3.2 DIVIDER

The divide block supports 32-bit/16-bit and 16-bit/16-bit signed and unsigned integer divide operations with the following data sizes:

1. 32-bit signed/16-bit signed divide
2. 32-bit unsigned/16-bit unsigned divide
3. 16-bit signed/16-bit signed divide
4. 16-bit unsigned/16-bit unsigned divide

The quotient for all divide instructions ends up in W0 and the remainder in W1. The 16-bit signed and unsigned `DIV` instructions can specify any W register for both the 16-bit divisor (Wn), and any W register (aligned) pair (W(m + 1):Wm) for the 32-bit dividend. The divide algorithm takes one cycle per bit of divisor, so both 32-bit/16-bit and 16-bit/16-bit instructions take the same number of cycles to execute.

3.3.3 MULTIBIT SHIFT SUPPORT

The PIC24F ALU supports both single bit and single-cycle, multibit arithmetic and logic shifts. Multibit shifts are implemented using a shifter block, capable of performing up to a 15-bit arithmetic right shift, or up to a 15-bit left shift, in a single cycle. All multibit shift instructions only support Register Direct Addressing for both the operand source and result destination.

A full summary of instructions that use the shift operation is provided in [Table 3-2](#).

TABLE 3-2: INSTRUCTIONS THAT USE THE SINGLE BIT AND MULTIBIT SHIFT OPERATION

Instruction	Description
ASR	Arithmetic Shift Right Source register by one or more bits.
SL	Shift Left Source register by one or more bits.
LSR	Logical Shift Right Source register by one or more bits.

PIC24FJ256GA412/GB412 FAMILY

4.0 MEMORY ORGANIZATION

As Harvard architecture devices, PIC24F micro-controllers feature separate program and data memory spaces and buses. This architecture also allows direct access of program memory from the Data Space (DS) during code execution.

4.1 Program Memory Space

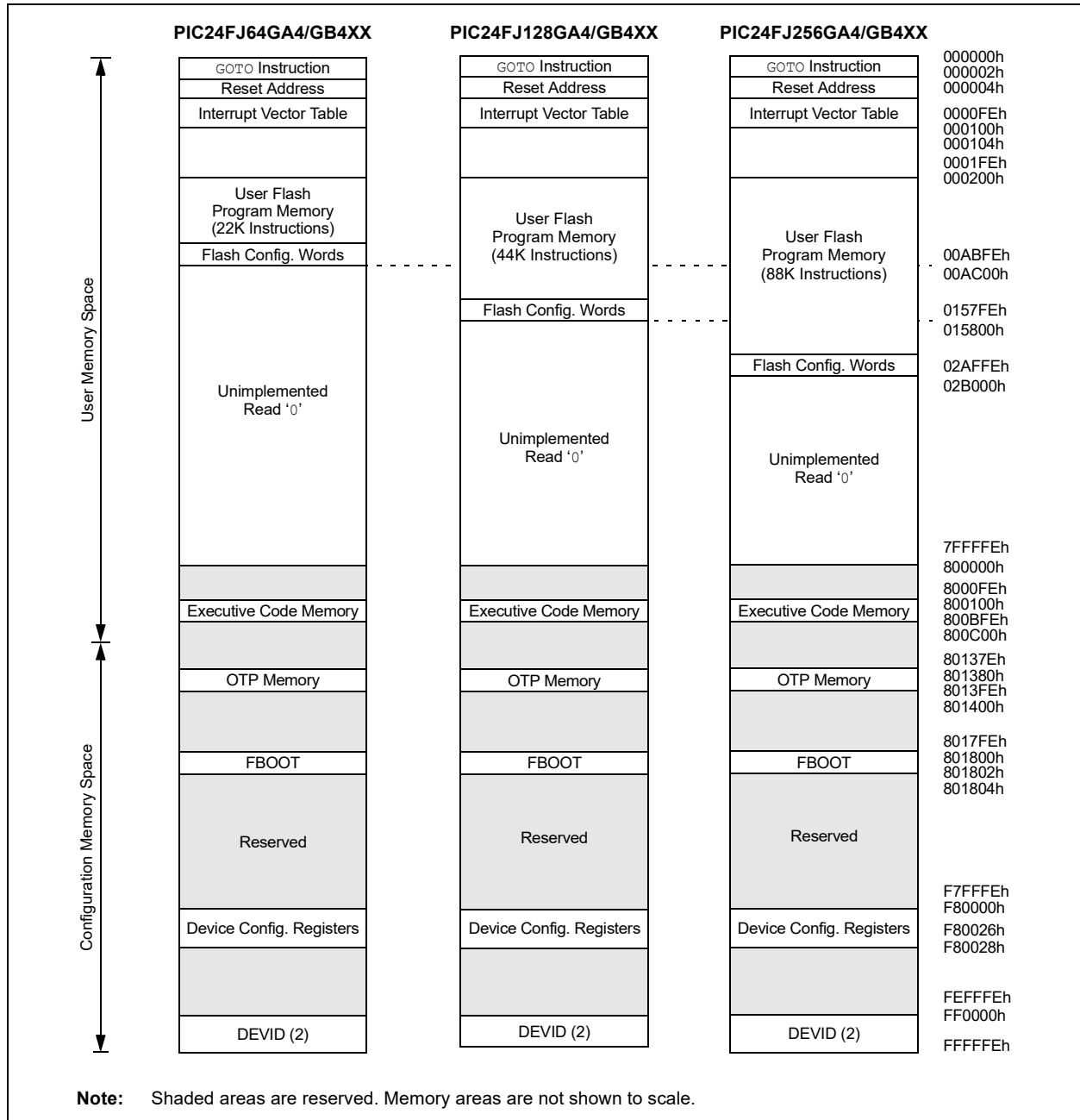
The program address memory space of the PIC24FJ256GA412/GB412 family devices is 4M instructions. The space is addressable by a 24-bit value

derived from either the 23-bit Program Counter (PC) during program execution, or from table operation or Data Space remapping, as described in [Section 4.4 “Interfacing Program and Data Memory Spaces”](#).

User access to the program memory space is restricted to the lower half of the address range (000000h to 7FFFFFFh). The exception is the use of TBLRD/TBLWT operations, which use TBLPAG[7] to permit access to the Configuration bits and Device ID sections of the configuration memory space.

Memory maps for PIC24FJ256GA412/GB412 family devices are shown in [Figure 4-1](#).

FIGURE 4-1: DEFAULT PROGRAM MEMORY MAPS FOR PIC24FJ256GA412/GB412 FAMILY



PIC24FJ256GA412/GB412 FAMILY

4.1.1 PROGRAM MEMORY ORGANIZATION

The program memory space is organized in word-addressable blocks. Although it is treated as 24 bits wide, it is more appropriate to think of each address of the program memory as a lower and upper word, with the upper byte of the upper word being unimplemented. The lower word always has an even address, while the upper word has an odd address (Figure 4-2).

Program memory addresses are always word-aligned on the lower word and addresses are incremented or decremented by two during code execution. This arrangement also provides compatibility with data memory space addressing and makes it possible to access data in the program memory space.

4.1.2 HARD MEMORY VECTORS

All PIC24F devices reserve the addresses between 000000h and 000200h for hard-coded program execution vectors. A hardware Reset vector is provided to redirect code execution from the default value of the PC on device Reset to the actual start of code. A GOTO instruction is programmed by the user at 000000h with the actual address for the start of code at 000002h.

PIC24F devices also have two Interrupt Vector Tables (IVTs). The main IVT has a static location, from 000004h to 0000FFh. The Alternate IVT has a configurable location and is optionally enabled. A more detailed discussion of the Interrupt Vector Tables is provided in [Section 8.0 “Interrupt Controller”](#).

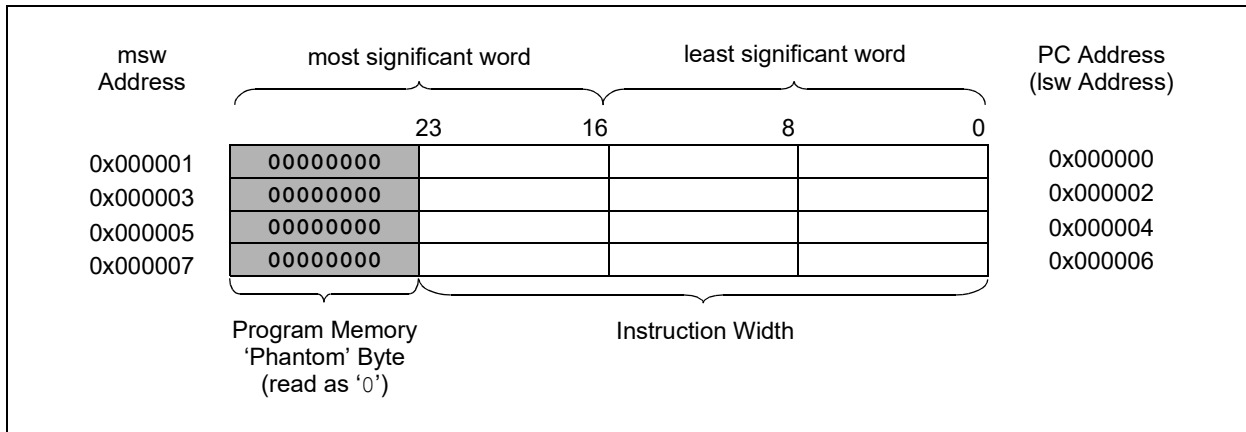
4.1.3 SINGLE AND DUAL PARTITION MEMORY ORGANIZATION

The PIC24FJ256GA412/GB412 family of devices supports a Single Partition Flash mode and two Dual Partition Flash modes. The Dual Partition modes allow the device to be programmed with two separate applications to facilitate bootloading or to allow an application to be programmed at run-time without stalling the CPU.

In the Dual Partition modes, the device’s memory is divided evenly into two physical sections, known as Partition 1 and Partition 2. Each of these partitions contains its own program memory and Configuration Words. During program execution, the code on only one of these panels is executed; this is the Active Partition. The other partition, or the Inactive Partition, is not used, but can be programmed.

The Active Partition is always mapped to logical address, 000000h, while the Inactive Partition will always be mapped to logical address, 400000h. Note that even when the code partitions are switched between active and inactive by the user, the address of the Active Partition will still be 000000h and the address of the Inactive Partition will still be at 400000h. [Figure 4-3](#) compares the mapping of the user memory space in Single and Dual Partition devices.

FIGURE 4-2: PROGRAM MEMORY ORGANIZATION



PIC24FJ256GA412/GB412 FAMILY

FIGURE 4-3: PROGRAM MEMORY MAPS FOR SINGLE AND DUAL PARTITION FLASH MODES

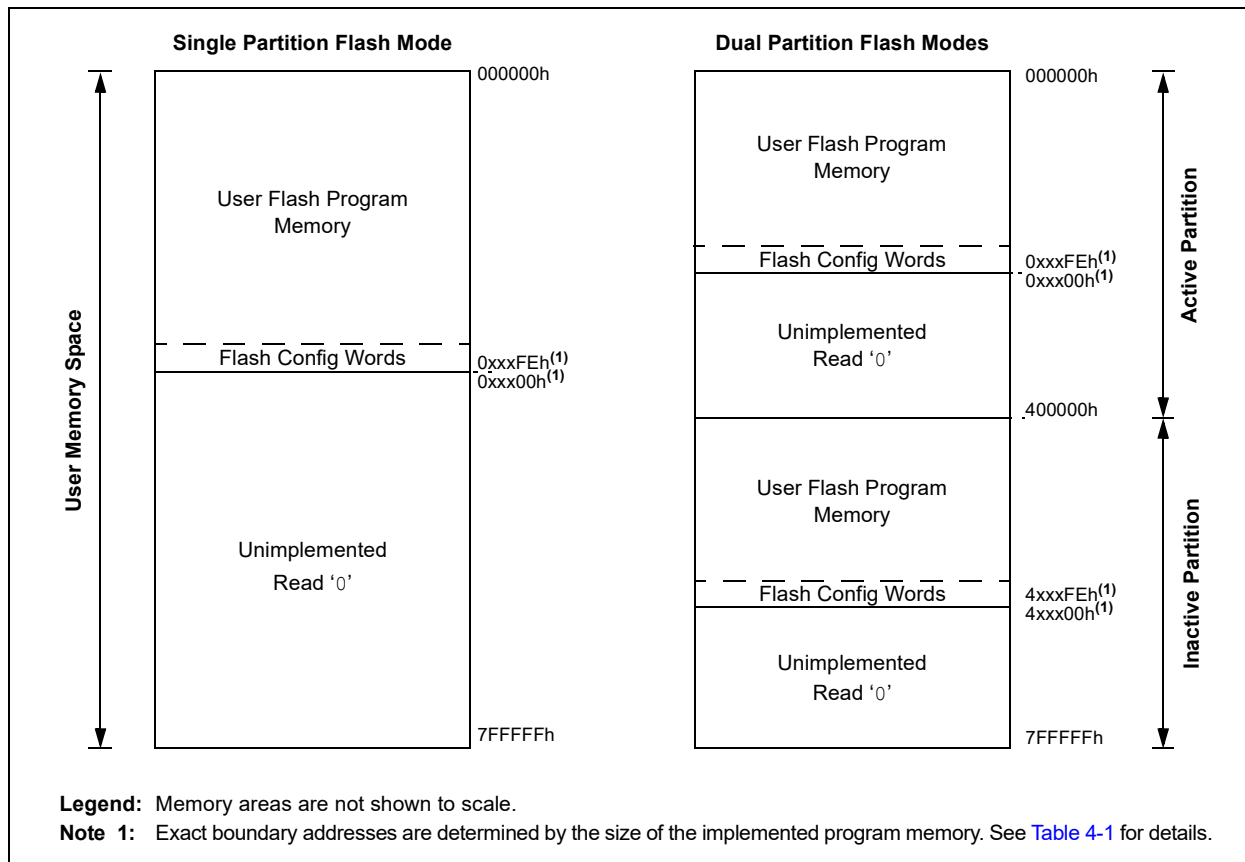


TABLE 4-1: PROGRAM MEMORY SIZES AND BOUNDARIES

Device	Program Memory Upper Boundary (Instruction Words)		Write Blocks ⁽¹⁾	Erase Blocks ⁽¹⁾	
	Single Partition Flash Mode	Dual Partition Flash Mode			
		Active Partition			Inactive Partition
PIC24FJ256GX4XX	02AFFEh (88K)	0157FEh(44K)	0157FEh(44K)	1376	172
PIC24FJ128GX4XX	0157FEh(44K)	00ABFEh (22K)	00ABFEh (22K)	688	86
PIC24FJ64GX4XX	00AFFEh (22K)	0057FEh (11K)	0057FEh (11K)	352	44

Note 1: One Write Block = 64 Instruction Words; One Erase Block = 512 Instruction Words.

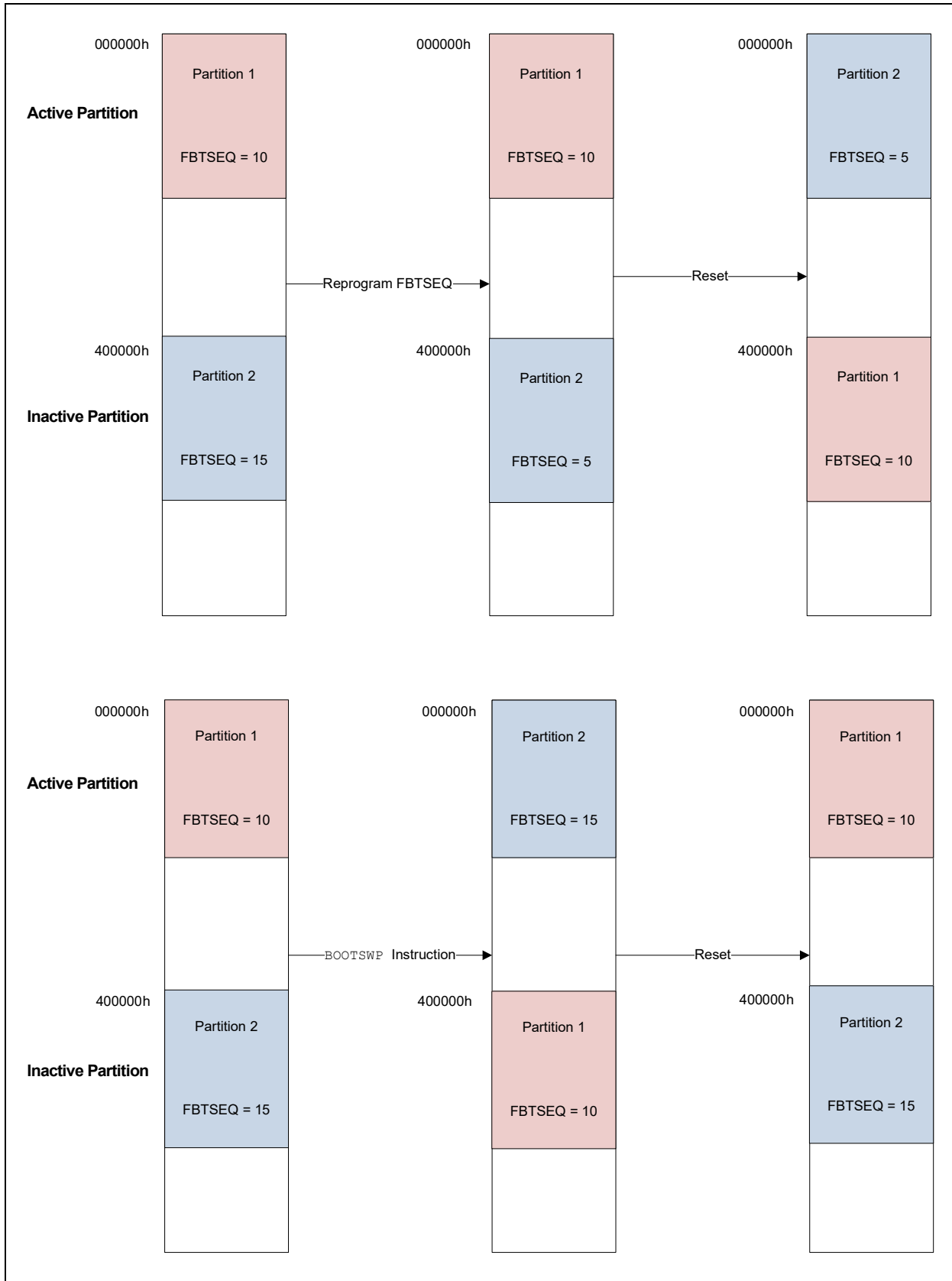
The Boot Sequence Configuration Words (FBTSEQ) determine whether Partition 1 or Partition 2 will be active after Reset. If the part is operating in Dual Partition mode, the partition with the lower boot sequence number will operate as the Active Panel (FBTSEQ is unused in Single Partition mode). The partitions can be switched between Active and Inactive by reprogramming their boot sequence numbers, but the Active Partition will not change until a device Reset is performed. If both boot sequence numbers are the same, or if both are corrupted, the part will use Partition 1 as the Active Partition. If only one boot sequence number is corrupted, the device will use the partition without a corrupted boot sequence number as the Active Partition.

The user can also change which partition is active at run time using the `BOOTSWP` instruction. Issuing a `BOOTSWP` instruction does not affect which partition will be the Active Partition after a Reset. Figure 4-4 demonstrates how the relationship between Partitions 1 and 2, shown in red and blue, respectively, and the Active and Inactive Partitions are affected by reprogramming the boot sequence number or issuing a `BOOTSWP` instruction.

The `P2ACTIV` bit (`NVMCON[10]`) can be used to determine which physical partition is the Active Partition. If `P2ACTIV = 1`, Partition 2 is active; if `P2ACTIV = 0`, Partition 1 is active.

PIC24FJ256GA412/GB412 FAMILY

FIGURE 4-4: RELATIONSHIP BETWEEN PARTITIONS 1 AND 2 AND ACTIVE/INACTIVE PARTITIONS



PIC24FJ256GA412/GB412 FAMILY

4.1.4 FLASH CONFIGURATION WORDS

In PIC24FJ256GA412/GB412 family devices, the top nine words of on-chip program memory are reserved for configuration information. On device Reset, the configuration information is copied into the actual Configuration registers, located in configuration space.

The address range of the Flash Configuration Words for devices in the PIC24FJ256GA412/GB412 family are shown in [Table 4-2](#). Their location in the memory map is shown with the other memory vectors in [Figure 4-1](#). Additional details on the device Configuration Words are provided in [Section 33.0 “Special Features”](#).

4.1.4.1 Dual Partition Configuration Words

In Dual Partition Flash modes, each partition has its own set of Flash Configuration Words. The full set of Configuration registers in the Active Partition is used to determine the device's configuration; the Configuration Words in the Inactive Partition are used to determine the device's configuration when that partition becomes active. However, some of the Configuration registers in the Inactive Partition (FSEC, FBSLIM and FSIGN) may be used to determine how the Active Partition is able or allowed to access the Inactive Partition.

4.1.5 ONE-TIME-PROGRAMMABLE (OTP) MEMORY

PIC24FJ256GA412/GB412 family devices provide 384 bytes of One-Time-Programmable (OTP) memory, located at addresses, 801380h through 8013FEh. This memory can be used for persistent storage of application-specific information that will not be erased by reprogramming the device. This includes many types of information, such as (but not limited to):

- Application checksums
- Code revision information
- Product information
- Serial numbers
- System manufacturing dates
- Manufacturing lot numbers

OTP memory may be programmed in any mode, including user RTSP mode, but it cannot be erased. Data are not cleared by a Chip Erase. Once programmed, the OTP memory cannot be rewritten.

Do not perform repeated write operations on the OTP.

TABLE 4-2: FLASH CONFIGURATION WORDS FOR PIC24FJ256GA412/GB412 FAMILY DEVICES

Device Family	Program Memory (Words)	Configuration Word Address Range	
		Single Partition	Dual Partition ⁽¹⁾
PIC24FJ64GA4XX/GB4XX	22,016	00AF80h:00AFB0h	005780h:0057FCh
PIC24FJ128GA4XX/GB4XX	44,032	015780h:0157B0h	00AB80h:00ABFCh
PIC24FJ256GA4XX/GB4XX	88,065	02AF80h:02AFB0h	015780h:0157FCh

Note 1: Addresses for the Active Partition are shown. For the Inactive Partitions, add 400000h.

PIC24FJ256GA412/GB412 FAMILY

4.2 Unique Device Identifier (UDID)

All PIC24FJ256GA412/GB412 family devices are individually encoded during final manufacturing with a Unique Device Identifier or UDID. This feature allows for manufacturing traceability of Microchip Technology devices in applications where this is a requirement. It may also be used by the application manufacturer for any number of things that may require unique identification, such as:

- Tracking the device
- Unique serial number
- Unique security key

The UDID comprises five 24-bit program words. When taken together, these fields form a unique 120-bit identifier.

The UDID is stored in five read-only locations, located between 801308h and 801310h in the device configuration space. [Table 4-3](#) lists the addresses of the identifier words and shows their contents.

TABLE 4-3: UDID ADDRESSES

Name	Address	Bits 23-16	Bits 15-8	Bits 7-0
UDID1	801308	UDID Word 1		
UDID2	80130A	UDID Word 2		
UDID3	80130C	UDID Word 3		
UDID4	80130E	UDID Word 4		
UDID5	801310	UDID Word 5		

PIC24FJ256GA412/GB412 FAMILY

4.3 Data Memory Space

Note: This data sheet summarizes the features of this group of PIC24F devices. It is not intended to be a comprehensive reference source. For more information, refer to the “*dsPIC33/PIC24 Family Reference Manual*”, “**Data Memory with Extended Data Space (EDS)**” (www.microchip.com/DS39733). The information in this data sheet supersedes the information in the FRM.

The PIC24F core has a 16-bit wide data memory space, addressable as a single linear range. The Data Space (DS) is accessed using two Address Generation Units (AGUs), one each for read and write operations. The Data Space memory map is shown in [Figure 4-5](#).

The 16-bit wide data addresses in the data memory space point to bytes within the Data Space. This gives a DS address range of 64 Kbytes or 32K words. The lower half (0000h to 7FFFh) is used for implemented (on-chip) memory addresses.

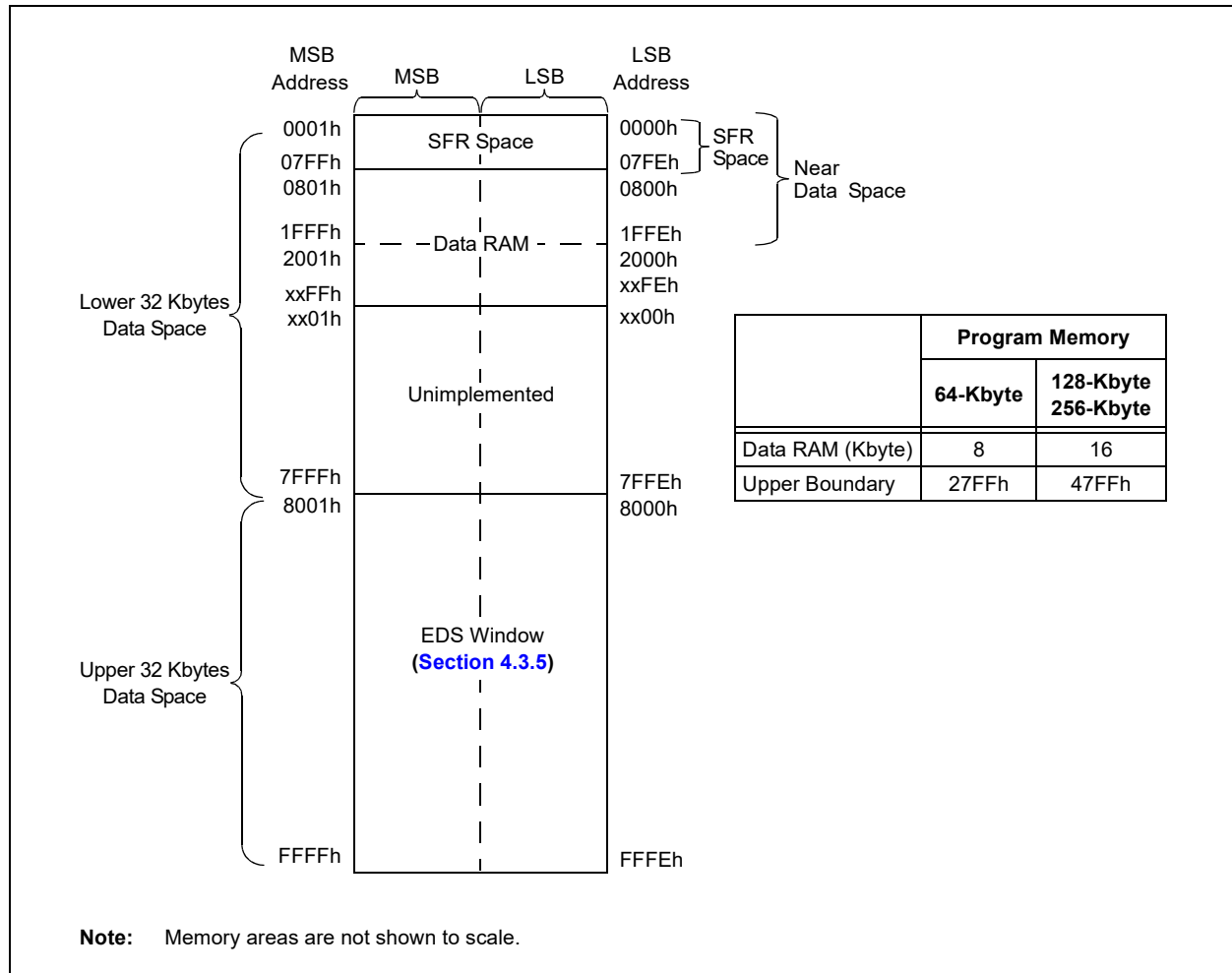
The upper half of data memory address space (8000h to FFFFh) is used as a window into the Extended Data Space (EDS). This allows the microcontroller to directly access a greater range of data beyond the standard 16-bit address range. EDS is discussed in detail in [Section 4.3.5 “Extended Data Space \(EDS\)”](#).

Devices with 64 Kbytes of program memory implement 8 Kbytes of data RAM in the lower half of the DS, from 0800h to 27FFh. All other devices in this family implement 16 Kbytes of data RAM, from 0800h to 47FFh. The lower half of the DS is compatible with previous PIC24F microcontrollers without EDS.

4.3.1 DATA SPACE WIDTH

The data memory space is organized in byte-addressable, 16-bit wide blocks. Data are aligned in data memory and registers as 16-bit words, but all Data Space Effective Addresses (EAs) resolve to bytes. The Least Significant Bytes (LSBs) of each word have even addresses, while the Most Significant Bytes (MSBs) have odd addresses.

FIGURE 4-5: DATA SPACE MEMORY MAP FOR PIC24FJ256GA412/GB412 FAMILY DEVICES



PIC24FJ256GA412/GB412 FAMILY

4.3.2 DATA MEMORY ORGANIZATION AND ALIGNMENT

To maintain backward compatibility with PIC® MCUs and improve Data Space memory usage efficiency, the PIC24F instruction set supports both word and byte operations. As a consequence of byte accessibility, all EA calculations are internally scaled to step through word-aligned memory. For example, the core recognizes that Post-Modified Register Indirect Addressing mode [Ws++] will result in a value of Ws + 1 for byte operations and Ws + 2 for word operations.

Data byte reads will read the complete word, which contains the byte, using the LSB of any EA to determine which byte to select. The selected byte is placed onto the LSB of the data path. That is, data memory and registers are organized as two parallel, byte-wide entities with shared (word) address decode, but separate write lines. Data byte writes only write to the corresponding side of the array or register which matches the byte address.

All word accesses must be aligned to an even address. Misaligned word data fetches are not supported, so care must be taken when mixing byte and word operations or translating from 8-bit MCU code. If a misaligned read or write is attempted, an address error trap will be generated. If the error occurred on a read, the instruction underway is completed; if it occurred on a write, the instruction will be executed but the write will not occur. In either case, a trap is then executed, allowing the system and/or user to examine the machine state prior to execution of the address Fault.

All byte loads into any W register are loaded into the LSB. The Most Significant Byte (MSB) is not modified.

A Sign-Extend (SE) instruction is provided to allow users to translate 8-bit signed data to 16-bit signed values. Alternatively, for 16-bit unsigned data, users can clear the MSB of any W register by executing a Zero-Extend (ZE) instruction on the appropriate address.

Although most instructions are capable of operating on word or byte data sizes, it should be noted that some instructions operate only on words.

4.3.3 NEAR DATA SPACE

The 8-Kbyte area between 0000h and 1FFFh is referred to as the Near Data Space. Locations in this space are directly addressable via a 13-bit absolute address field within all memory direct instructions. The remainder of the Data Space is addressable indirectly. Additionally, the whole Data Space is addressable using MOV instructions, which support Memory Direct Addressing with a 16-bit address field.

4.3.4 SPECIAL FUNCTION REGISTER (SFR) SPACE

The first 2 Kbytes of the Near Data Space, from 0000h to 07FFh, are primarily occupied with Special Function Registers (SFRs). These are used by the PIC24F core and peripheral modules for controlling the operation of the device.

SFRs are distributed among the modules that they control and are generally grouped together by module. A diagram of the SFR space, showing where the SFRs are actually implemented, is shown in Table 4-4. Each implemented area indicates a 32-byte region where at least one address is implemented as an SFR. A complete list of implemented SFRs, including their addresses, is shown in Tables 4-5 through 4-12.

TABLE 4-4: IMPLEMENTED REGIONS OF SFR DATA SPACE

SFR Space Address									
	xx00	xx20	xx40	xx60	xx80	xxA0	xxC0	xxE0	
000h	Core			—	Interrupts				—
100h	System	EPMP	CRC ⁽¹⁾	PMD	Timers	—	CTM	RTCC	
200h	Capture	Compare		MCCP			CMP/DAC		
300h	SCCP				UART			UART/SPI	
400h	SPI			CLC	I ² C		DMA		
500h	DMA	Crypto Engine			USB ⁽²⁾		LCD		
600h	LCD	—		I/O					
700h	I/O	A/D		NVM	—	PPS		—	

Legend: — = Block is largely or entirely unimplemented.

Note 1: This region includes system control registers (Reference Oscillator).

2: Implemented in PIC24FJXXXGBXXX devices only.

PIC24FJ256GA412/GB412 FAMILY

TABLE 4-5: SFR BLOCK 000h

Register	Address	All Resets	Register	Address	All Resets	Register	Address	All Resets
Core			Interrupt Controller			IPC7	0B6	0100010001000100
WREG0	000	0000000000000000	INTCON1	080	0000000000000000	IPC8	0B8	0100010001000100
WREG1	002	0000000000000000	INTCON2	082	1000000000000000	IPC9	0BA	0100010001000100
WREG2	004	0000000000000000	INTCON4	086	0000000000000000	IPC10	0BC	0100010001000100
WREG3	006	0000000000000000	IFS0	088	0000000000000000	IPC11	0BE	0100010001000100
WREG4	008	0000000000000000	IFS1	08A	0000000000000000	IPC12	0C0	0100010001000100
WREG5	00A	0000000000000000	IFS2	08C	0000000000000000	IPC13	0C2	0100010001000000
WREG6	00C	0000000000000000	IFS3	08E	0000000000000000	IPC14	0C4	0100010001000100
WREG7	00E	0000000000000000	IFS4	090	0000000000000000	IPC15	0C6	0100010001000100
WREG8	010	0000000000000000	IFS5	092	0000000000000000	IPC16	0C8	0100010001000100
WREG9	012	0000000000000000	IFS6	094	0000000000000000	IPC17	0CA	0100010000000000
WREG10	014	0000000000000000	IFS7	096	0000000000000000	IPC18	0CC	0000000010001000
WREG11	016	0000000000000000	IEC0	098	0000000000000000	IPC19	0CE	0000010001000000
WREG12	018	0000000000000000	IEC1	09A	0000000000000000	IPC20	0D0	0100010001000000
WREG13	01A	0000000000000000	IEC2	09C	0000000000000000	IPC21	0D2	0100010001000100
WREG14	01C	0000000000000000	IEC3	09E	0000000000000000	IPC22	0D4	0100010001000100
WREG15	01E	0000000000000000	IEC4	0A0	0000000000000000	IPC23	0D6	0100010001000100
SPLIM	020	xxxxxxxxxxxxxxxxx0	IEC5	0A2	0000000000000000	IPC24	0D8	0100010001000100
PCL	02E	0000000000000000	IEC6	0A4	0000000000000000	IPC25	0DA	0000010001000100
PCH	030	0000000000000000	IEC7	0A6	0000000000000000	IPC26	0DC	0000010000000000
DSRPAG	032	0000000000000000	IPC0	0A8	0100010001000100	IPC27	0DE	0100010001000000
DSWPAG	034	0000000000000000	IPC1	0AA	0100010001000100	IPC28	0E0	0100010001000100
RCOUNT	036	xxxxxxxxxxxxxxxxxx	IPC2	0AC	0100010001000100	IPC29	0E2	0000000010001000
SR	042	0000000000000000	IPC3	0AE	0100010001000100	INTTREG	0E4	0000000000000000
CORCON	044	0000000000000100	IPC4	0B0	0100010001000100			
DISICNT	052	00xxxxxxxxxxxxxxxx	IPC5	0B2	0100010000000100			
TBLPAG	054	0000000000000000	IPC6	0B4	0100010001000100			

Legend: x = unknown or indeterminate value. Reset and address values are in hexadecimal.

PIC24FJ256GA412/GB412 FAMILY

TABLE 4-6: SFR BLOCK 100h

Register	Address	All Resets	Register	Address	All Resets	Register	Address	All Resets
Clock/System Control			CRCDATH	162	xxxxxxxxxxxxxxxxxxxx	CTMU		
OSCCON	100	0qqq0qqq00q00000 ⁽¹⁾	CRCWDATL	164	xxxxxxxxxxxxxxxxxxxx	CTMUCON1L	1C0	0000000000000000
CLKDIV	102	0000000100q00000	CRCWDATH	166	xxxxxxxxxxxxxxxxxxxx	CTMUCON1H	1C2	0000000000000000
OSCTUN	106	0000000000000000	REFOCONL	168	0000000000000000	CTMUCON2L	1C4	0000000000000000
RCON	10C	0010000000000011 ⁽²⁾	REFOCONH	16A	0000000000000000	RTCC		
RCON2	10E	000000000000xxxx ⁽²⁾	REFOTRIM	16E	0000000000000000	RTCCON1L	1CC	0000000000000000
HLVDCON	110	0000000000000000	Peripheral Module Disable			RTCCON1H	1CE	0000000000000000
DSCON	112	000xx00000000000 ⁽²⁾	PMD1	178	0000000000000000	RTCCON2L	1D0	1000000000000000
DSWAKE	114	0000000000000000 ⁽²⁾	PMD2	17A	0000000000000000	RTCCON2H	1D2	0011111111111111
DSGPRO	116	0000000000000000 ⁽²⁾	PMD3	17C	0000000000000000	RTCCON3L	1D4	0000000000000000
DSGPR1	118	0000000000000000 ⁽²⁾	PMD4	17E	0000000000000000	RTCSTATL	1D8	0000000000000000
Parallel Master Port			PMD5	180	0000000000000000	TIMEL	1DC	0000000000000000
PMCON1	128	0000000000000000	PMD6	182	0000000000000000	TIMEH	1DE	0000000000000000
PMCON2	12A	0000000000000000	PMD7	184	0000000000000000	DATEL	1E0	000000100000110
PMCON3	12C	0000000000000000	PMD8	186	0000000000000000	DATEH	1E2	0000000000000001
PMCON4	12E	0000000000000000	Timer			ALMTIMEL	1E4	0000000000000000
PMCS1CF	130	0000000000000000	TMR1	190	0000000000000000	ALMTIMEH	1E6	0000000000000000
PMCS1BS	132	0000000000000000	PR1	192	1111111111111111	ALMDATEL	1E8	000000100000110
PMCS1MD	134	0000000000000000	T1CON	194	0000000000000000	ALMDATEH	1EA	0000000000000001
PMCS2CF	136	0000000000000000	TMR2	196	0000000000000000	TSATIMEL	1EC	0000000000000000
PMCS2BS	138	0000000000000000	TMR3HLD	198	0000000000000000	TSATIMEH	1EE	0000000000000000
PMCS2MD	13A	0000000000000000	TMR3	19A	0000000000000000	TSADATEL	1F0	0000000000000000
PMDOUT1	13C	xxxxxxxxxxxxxxxxxxxx	PR2	19C	1111111111111111	TSADATEH	1F2	0000000000000000
PMDOUT2	13E	xxxxxxxxxxxxxxxxxxxx	PR3	19E	1111111111111111	TSBTIMEL	1F4	0000000000000000
PMDIN1	140	xxxxxxxxxxxxxxxxxxxx	T2CON	1A0	000000xx00000000	TSBTIMEH	1F6	0000000000000000
PMDIN2	142	xxxxxxxxxxxxxxxxxxxx	T3CON	1A2	000000xx00000000	TSBDATEL	1F8	0000000000000000
PMSTAT	144	0000000010001111	TMR4	1A4	0000000000000000	TSBDATEH	1FA	0000000000000000
CRC Generator/REFO			TMR5HLD	1A6	0000000000000000			
CRCCON1	158	0000000001x00000	TMR5	1A8	0000000000000000			
CRCCON2	15A	0000000000000000	PR4	1AA	1111111111111111			
CRCXORL	15C	0000000000000000	PR5	1AC	1111111111111111			
CRCXORH	15E	0000000000000000	T4CON	1AE	000000xx00000000			
CRCDATL	160	xxxxxxxxxxxxxxxxxxxx	T5CON	1B0	000000xx00000000			

Legend: x = unknown or indeterminate value. Reset and address values are in hexadecimal.

Note 1: The Reset value of the OSCCON register is dependent on both the type of Reset event and the device configuration. See [Section 9.0 “Oscillator Configuration”](#) for more information.

2: The Reset value of these registers is dependent on the type of Reset event. See [Section 7.0 “Resets”](#) for more information.

PIC24FJ256GA412/GB412 FAMILY

TABLE 4-7: SFR BLOCK 200h

Register	Address	All Resets	Register	Address	All Resets	Register	Address	All Resets
Input Capture			OC3CON2	246	00000000000001100	CCP2CON1H	292	0000000000000000
IC1CON1	200	0000000000000000	OC3RS	248	xxxxxxxxxxxxxxxx	CCP2CON2L	294	0000000000000000
IC1CON2	202	00000000000001101	OC3R	24A	xxxxxxxxxxxxxxxx	CCP2CON2H	296	0000000100000000
IC1BUF	204	0000000000000000	OC3TMR	24C	xxxxxxxxxxxxxxxx	CCP2CON3H	29A	0000000000000000
IC1TMR	206	0000000000000000	OC4CON1	24E	0000000000000000	CCP2STATL	29C	0000000000xx0000
IC2CON1	208	0000000000000000	OC4CON2	250	00000000000001100	CCP2TMRL	2A0	0000000000000000
IC2CON2	20A	00000000000001101	OC4RS	252	xxxxxxxxxxxxxxxx	CCP2TMRH	2A2	0000000000000000
IC2BUF	20C	0000000000000000	OC4R	254	xxxxxxxxxxxxxxxx	CCP2PRL	2A4	1111111111111111
IC2TMR	20E	0000000000000000	OC4TMR	256	xxxxxxxxxxxxxxxx	CCP2PRH	2A6	1111111111111111
IC3CON1	210	0000000000000000	OC5CON1	258	0000000000000000	CCP2RAL	2A8	0000000000000000
IC3CON2	212	00000000000001101	OC5CON2	25A	00000000000001100	CCP2RBL	2AC	0000000000000000
IC3BUF	214	0000000000000000	OC5RS	25C	xxxxxxxxxxxxxxxx	CCP2BUFL	2B0	0000000000000000
IC3TMR	216	0000000000000000	OC5R	25E	xxxxxxxxxxxxxxxx	CCP2BUFH	2B2	0000000000000000
IC4CON1	218	0000000000000000	OC5TMR	260	xxxxxxxxxxxxxxxx	CCP3CON1L	2B4	0000000000000000
IC4CON2	21A	00000000000001101	OC6CON1	262	0000000000000000	CCP3CON1H	2B6	0000000000000000
IC4BUF	21C	0000000000000000	OC6CON2	264	00000000000001100	CCP3CON2L	2B8	0000000000000000
IC4TMR	21E	0000000000000000	OC6RS	266	xxxxxxxxxxxxxxxx	CCP3CON2H	2BA	0000000100000000
IC5CON1	220	0000000000000000	OC6R	268	xxxxxxxxxxxxxxxx	CCP3CON3H	2BE	0000000000000000
IC5CON2	222	00000000000001101	OC6TMR	26A	xxxxxxxxxxxxxxxx	CCP3STATL	2C0	0000000000xx0000
IC5BUF	224	0000000000000000	CCP/Timer (MCCP)			CCP3TMRL	2C4	0000000000000000
IC5TMR	226	0000000000000000	CCP1CON1L	26C	0000000000000000	CCP3TMRH	2C6	0000000000000000
IC6CON1	228	0000000000000000	CCP1CON1H	26E	0000000000000000	CCP3PRL	2C8	1111111111111111
IC6CON2	22A	00000000000001101	CCP1CON2L	270	0000000000000000	CCP3PRH	2CA	1111111111111111
IC6BUF	22C	0000000000000000	CCP1CON2H	272	0000000100000000	CCP3RAL	2CC	0000000000000000
IC6TMR	22E	0000000000000000	CCP1CON3L	274	0000000000000000	CCP3RBL	2D0	0000000000000000
Output Compare/PWM			CCP1CON3H	276	0000000000000000	CCP3BUFL	2D4	0000000000000000
OC1CON1	230	0000000000000000	CCP1STATL	278	0000000000xx0000	CCP3BUFH	2D6	0000000000000000
OC1CON2	232	00000000000001100	CCP1TMRL	27C	0000000000000000	Comparator/DAC/Analog Pin Control		
OC1RS	234	xxxxxxxxxxxxxxxx	CCP1TMRH	27E	0000000000000000	CMSTAT	2E6	0000000000000000
OC1R	236	xxxxxxxxxxxxxxxx	CCP1PRL	280	1111111111111111	CVRCON	2E8	0000000000000000
OC1TMR	238	xxxxxxxxxxxxxxxx	CCP1PRH	282	1111111111111111	CM1CON	2EA	0000000000000000
OC2CON1	23A	0000000000000000	CCP1RAL	284	0000000000000000	CM2CON	2EC	0000000000000000
OC2CON2	23C	00000000000001100	CCP1RBL	288	0000000000000000	CM3CON	2EE	0000000000000000
OC2RS	23E	xxxxxxxxxxxxxxxx	CCP1BUFL	28C	0000000000000000	ANCFG	2F4	0000000000000000
OC2R	240	xxxxxxxxxxxxxxxx	CCP1BUFH	28E	0000000000000000	DAC1CON	2F8	0000000000000000
OC2TMR	242	xxxxxxxxxxxxxxxx	CCP/Timer (SCCP)			DAC1DAT	2FA	0000000000000000
OC3CON1	244	0000000000000000	CCP2CON1L	290	0000000000000000			

Legend: x = unknown or indeterminate value. Reset and address values are in hexadecimal.

PIC24FJ256GA412/GB412 FAMILY

TABLE 4-8: SFR BLOCK 300h

Register	Address	All Resets	Register	Address	All Resets	Register	Address	All Resets
CCP/Timer (SCCP)			CCP6PRL	35C	1111111111111111	U2ADMD	3B8	0000000000000000
CCP4CON1L	300	0000000000000000	CCP6PRH	35E	1111111111111111	U2SCCON	3BA	0000000000000000
CCP4CON1H	302	0000000000000000	CCP6RAL	360	0000000000000000	U2SCINT	3BC	0000000000000000
CCP4CON2L	304	0000000000000000	CCP6RBL	364	0000000000000000	U2GTC	3BE	0000000000000000
CCP4CON2H	306	0000000100000000	CCP6BUFL	368	0000000000000000	U2WTCH	3C0	0000000000000000
CCP4CON3H	30A	0000000000000000	CCP6BUFH	36A	0000000000000000	U2WTCL	3C2	0000000000000000
CCP4STATL	30C	0000000000xx0000	CCP7CON1L	36C	0000000000000000	U3MODE	3C4	0000000000000000
CCP4TMRL	310	0000000000000000	CCP7CON1H	36E	0000000000000000	U3STA	3C6	0000000100010000
CCP4TMRH	312	0000000000000000	CCP7CON2L	370	0000000000000000	U3TXREG	3C8	x000000xxxxxxxxxx
CCP4PRL	314	1111111111111111	CCP7CON2H	372	0000000100000000	U3RXREG	3CA	0000000000000000
CCP4PRH	316	1111111111111111	CCP7CON3H	376	0000000000000000	U3BRG	3CC	0000000000000000
CCP4RAL	318	0000000000000000	CCP7STATL	378	0000000000xx0000	U3ADMD	3CE	0000000000000000
CCP4RBL	31C	0000000000000000	CCP7TMRL	37C	0000000000000000	U4MODE	3D0	0000000000000000
CCP4BUFL	320	0000000000000000	CCP7TMRH	37E	0000000000000000	U4STA	3D2	0000000100010000
CCP4BUFH	322	0000000000000000	CCP7PRL	380	1111111111111111	U4TXREG	3D4	x000000xxxxxxxxxx
CCP5CON1L	324	0000000000000000	CCP7PRH	382	1111111111111111	U4RXREG	3D6	0000000000000000
CCP5CON1H	326	0000000000000000	CCP7RAL	384	0000000000000000	U4BRG	3D8	0000000000000000
CCP5CON2L	328	0000000000000000	CCP7RBL	388	0000000000000000	U4ADMD	3DA	0000000000000000
CCP5CON2H	32A	0000000100000000	CCP7BUFL	38C	0000000000000000	U5MODE	3DC	0000000000000000
CCP5CON3H	32E	0000000000000000	CCP7BUFH	38E	0000000000000000	U5STA	3DE	0000000100010000
CCP5STATL	330	0000000000xx0000	UART			U5TXREG	3E0	x000000xxxxxxxxxx
CCP5TMRL	334	0000000000000000	U1MODE	398	0000000000000000	U5RXREG	3E2	0000000000000000
CCP5TMRH	336	0000000000000000	U1STA	39A	0000000100010000	U5BRG	3E4	0000000000000000
CCP5PRL	338	1111111111111111	U1TXREG	39C	x000000xxxxxxxxxx	U5ADMD	3E6	0000000000000000
CCP5PRH	33A	1111111111111111	U1RXREG	39E	0000000000000000	U6MODE	3E8	0000000000000000
CCP5RAL	33C	0000000000000000	U1BRG	3A0	0000000000000000	U6STAL	3EA	0000000100010000
CCP5RBL	340	0000000000000000	U1ADMD	3A2	0000000000000000	U6TXREG	3EC	x000000xxxxxxxxxx
CCP5BUFL	344	0000000000000000	U1SCCON	3A4	0000000000000000	U6RXREG	3EE	0000000000000000
CCP5BUFH	346	0000000000000000	U1SCINT	3A6	0000000000000000	U6BRG	3F0	0000000000000000
CCP6CON1L	348	0000000000000000	U1GTC	3A8	0000000000000000	U6ADMD	3F2	0000000000000000
CCP6CON1H	34A	0000000000000000	U1WTCH	3AA	0000000000000000	SPI		
CCP6CON2L	34C	0000000000000000	U1WTCL	3AC	0000000000000000	SPI1CON1L	3F4	0000000000000000
CCP6CON2H	34E	0000000100000000	U2MODE	3AE	0000000000000000	SPI1CON1H	3F6	0000000000000000
CCP6CON3H	352	0000000000000000	U2STA	3B0	0000000100010000	SPI1CON2L	3F8	0000000000000000
CCP6STATL	354	0000000000xx0000	U2TXREG	3B2	x000000xxxxxxxxxx	SPI1STATL	3FC	0000000001010000
CCP6TMRL	358	0000000000000000	U2RXREG	3B4	0000000000000000	SPI1STATH	3FE	0000000000000000
CCP6TMRH	35A	0000000000000000	U2BRG	3B6	0000000000000000			

Legend: x = unknown or indeterminate value. Reset and address values are in hexadecimal.

PIC24FJ256GA412/GB412 FAMILY

TABLE 4-9: SFR BLOCK 400h

Register	Address	All Resets	Register	Address	All Resets	Register	Address	All Resets
SPI (Continued)			CLC			I2C3ADD	4C0	0000000000000000
SPI1BUFH	402	0000000000000000	CLC1CONL	464	0000000000000000	I2C3MSK	4C2	0000000000000000
SPI1BRGL	404	000xxxxxxxxxxxxxxx	CLC1CONH	466	0000000000000000	DMA		
SPI1IMSKL	408	0000000000000000	CLC1SEL	468	0000000000000000	DMACON	4C4	0000000000000000
SPI1IMSKH	40A	0000000000000000	CLC1GLSL	46C	0000000000000000	DMABUF	4C6	0000000000000000
SPI1URDTL	40C	0000000000000000	CLC1GLSH	46E	0000000000000000	DMAL	4C8	0000000000000000
SPI1URDTH	40E	0000000000000000	CLC2CONL	470	0000000000000000	DMAH	4CA	0000000000000000
SPI2CON1L	410	0000000000000000	CLC2CONH	472	0000000000000000	DMACH0	4CC	0000000000000000
SPI2CON1H	412	0000000000000000	CLC2SEL	474	0000000000000000	DMANT0	4CE	0000000000000000
SPI2CON2L	414	0000000000000000	CLC2GLSL	478	0000000000000000	DMASRC0	4D0	0000000000000000
SPI2STATL	418	0000000000101000	CLC2GLSH	47A	0000000000000000	DMADST0	4D2	0000000000000000
SPI2STATH	41A	0000000000000000	CLC3CONL	47C	0101001100011000	DMACNT0	4D4	0000000000000001
SPI2BUFH	41E	0000000000000000	CLC3CONH	47E	0000000000000000	DMACH1	4D6	0000000000000000
SPI2BRGL	420	000xxxxxxxxxxxxxxx	CLC3SEL	480	0000000000000000	DMANT1	4D8	0000000000000000
SPI2IMSKL	424	0000000000000000	CLC3GLSL	484	0000000000000000	DMASRC1	4DA	0000000000000000
SPI2IMSKH	426	0000000000000000	CLC3GLSH	486	0000000000000000	DMADST1	4DC	0000000000000000
SPI2URDTL	428	0000000000000000	CLC4CONL	488	0000000000000000	DMACNT1	4DE	0000000000000001
SPI2URDTH	42A	0000000000000000	CLC4CONH	48A	0000000000000000	DMACH2	4E0	0000000000000000
SPI3CON1L	42C	0000000000000000	CLC4SEL	48C	0000000000000000	DMANT2	4E2	0000000000000000
SPI3CON1H	42E	0000000000000000	CLC4GLSL	490	0000000000000000	DMASRC2	4E4	0000000000000000
SPI3CON2L	430	0000000000000000	CLC4GLSH	492	0000000000000000	DMADST2	4E6	0000000000000000
SPI3STATL	434	0000000000101000	I²C			DMACNT2	4E8	0000000000000001
SPI3STATH	436	0000000000000000	I2C1RCV	494	0000000000000000	DMACH3	4EA	0000000000000000
SPI3BRGL	43C	000xxxxxxxxxxxxxxx	I2C1TRN	496	0000000011111111	DMANT3	4EC	0000000000000000
SPI3IMSKL	440	0000000000000000	I2C1BRG	498	0000000000000000	DMASRC3	4EE	0000000000000000
SPI3IMSKH	442	0000000000000000	I2C1CONL	49A	0010000000000000	DMADST3	4F0	0000000000000000
SPI3URDTL	444	0000000000000000	I2C1CONH	49C	0000000000000000	DMACNT3	4F2	0000000000000001
SPI3URDTH	446	0000000000000000	I2C1STAT	49E	0000000000000000	DMACH4	4F4	0000000000000000
SPI4CON1L	448	0000000000000000	I2C1ADD	4A0	0000000000000000	DMANT4	4F6	0000000000000000
SPI4CON1H	44A	0000000000000000	I2C1MSK	4A2	0000000000000000	DMASRC4	4F8	0000000000000000
SPI4CON2L	44C	0000000000000000	I2C2RCV	4A4	0000000000000000	DMADST4	4FA	0000000000000000
SPI4STATL	450	0000000000101000	I2C2TRN	4A6	0000000011111111	DMACNT4	4FC	0000000000000001
SPI4STATH	452	0000000000000000	I2C2BRG	4A8	0000000000000000	DMACH5	4FE	0000000000000000
SPI4BUFH	454	0000000000000000	I2C2CONL	4AA	0001000000000000			
SPI4BRGL	458	000xxxxxxxxxxxxxxx	I2C2CONH	4AC	0000000000000000			
SPI4IMSKL	45C	0000000000000000	I2C2STAT	4AE	0000000000000000			
SPI4IMSKH	45E	0000000000000000	I2C2ADD	4B0	0000000000000000			
SPI4URDTL	460	0000000000000000	I2C2MSK	4B2	0000000000000000			
SPI4URDTH	462	0000000000000000	I2C3RCV	4B4	0000000000000000			
			I2C3TRN	4B6	0000000011111111			
			I2C3BRG	4B8	0000000000000000			
			I2C3CONL	4BA	0001000000000000			
			I2C3CONH	4BC	0000000000000000			
			I2C3STAT	4BE	0000000000000000			

Legend: x = unknown or indeterminate value. Reset and address values are in hexadecimal.

PIC24FJ256GA412/GB412 FAMILY

TABLE 4-10: SFR BLOCK 500h

Register	Address	All Resets	Register	Address	All Resets	Register	Address	All Resets
DMA (Continued)			CRYXTB6	564	xxxxxxxxxxxxxxxx	U1EP8 ⁽¹⁾	5B2	0000000000000000
DMAINT5	500	0000000000000000	CRYXTB7	566	xxxxxxxxxxxxxxxx	U1EP9 ⁽¹⁾	5B4	0000000000000000
DMASRC5	502	0000000000000000	CRYXTC0	558	xxxxxxxxxxxxxxxx	U1EP10 ⁽¹⁾	5B6	0000000000000000
DMADST5	504	0000000000000000	CRYXTC1	56A	xxxxxxxxxxxxxxxx	U1EP11 ⁽¹⁾	5B8	0000000000000000
DMACNT5	506	0000000000000001	CRYXTC2	56C	xxxxxxxxxxxxxxxx	U1EP12 ⁽¹⁾	5BA	0000000000000000
Cryptographic Engine			CRYXTC3	56E	xxxxxxxxxxxxxxxx	U1EP13 ⁽¹⁾	5BC	0000000000000000
CRYCONL	51C	x0xxxx0xxxxxxxx	CRYXTC4	570	xxxxxxxxxxxxxxxx	U1EP14 ⁽¹⁾	5BE	0000000000000000
CRYCONH	51E	0xxxxxxxx0xxxx	CRYXTC5	572	xxxxxxxxxxxxxxxx	U1EP15 ⁽¹⁾	5C0	0000000000000000
CRYSTAT	520	00000000xxxx0xxx	CRYXTC6	574	xxxxxxxxxxxxxxxx	LCD Controller		
CRYOTP	524	00000000xxxxxxxx	CRYXTC7	576	xxxxxxxxxxxxxxxx	LCDCON	5C2	0000000000000000 ⁽²⁾
CRYKEY0	528	xxxxxxxxxxxxxxxx	USB			LCDREF	5C4	0000000000000000 ⁽²⁾
CRYKEY1	52A	xxxxxxxxxxxxxxxx	U1OTGIR ⁽¹⁾	578	0000000000000000	LCDPS	5C6	0000000000000000 ⁽²⁾
CRYKEY2	52C	xxxxxxxxxxxxxxxx	U1OTGIE ⁽¹⁾	57A	0000000000000000	LCDDATA0	5C8	0000000000000000 ⁽²⁾
CRYKEY3	52E	xxxxxxxxxxxxxxxx	U1OTGSTAT ⁽¹⁾	57C	0000000000000000	LCDDATA1	5CA	0000000000000000 ⁽²⁾
CRYKEY4	530	xxxxxxxxxxxxxxxx	U1OTGCON ⁽¹⁾	57E	0000000000000000	LCDDATA2	5CC	0000000000000000 ⁽²⁾
CRYKEY5	532	xxxxxxxxxxxxxxxx	U1PWRC ⁽¹⁾	580	00000000x0000000	LCDDATA3	5CE	0000000000000000 ⁽²⁾
CRYKEY6	534	xxxxxxxxxxxxxxxx	U1IR ⁽¹⁾	582	0000000000000000	LCDDATA4	5D0	0000000000000000 ⁽²⁾
CRYKEY7	536	xxxxxxxxxxxxxxxx	U1IE ⁽¹⁾	584	0000000000000000	LCDDATA5	5D2	0000000000000000 ⁽²⁾
CRYKEY8	538	xxxxxxxxxxxxxxxx	U1EIR ⁽¹⁾	586	0000000000000000	LCDDATA6	5D4	0000000000000000 ⁽²⁾
CRYKEY9	53A	xxxxxxxxxxxxxxxx	U1EIE ⁽¹⁾	588	0000000000000000	LCDDATA7	5D6	0000000000000000 ⁽²⁾
CRYKEY10	53C	xxxxxxxxxxxxxxxx	U1STAT ⁽¹⁾	58A	0000000000000000	LCDDATA8	5D8	0000000000000000 ⁽²⁾
CRYKEY11	53E	xxxxxxxxxxxxxxxx	U1CON ⁽¹⁾	58C	00000000xx000000	LCDDATA9	5DA	0000000000000000 ⁽²⁾
CRYKEY12	540	xxxxxxxxxxxxxxxx	U1ADDR ⁽¹⁾	58E	000000000xxxxxxxx	LCDDATA10	5DC	0000000000000000 ⁽²⁾
CRYKEY13	542	xxxxxxxxxxxxxxxx	U1BDTP1 ⁽¹⁾	590	0000000000000000	LCDDATA11	5DE	0000000000000000 ⁽²⁾
CRYKEY14	544	xxxxxxxxxxxxxxxx	U1FRML ⁽¹⁾	592	0000000000000000	LCDDATA12	5E0	0000000000000000 ⁽²⁾
CRYKEY15	546	xxxxxxxxxxxxxxxx	U1FRMH ⁽¹⁾	594	0000000000000000	LCDDATA13	5E2	0000000000000000 ⁽²⁾
CRYXTA0	548	xxxxxxxxxxxxxxxx	U1TOK ⁽¹⁾	596	0000000000000000	LCDDATA14	5E4	0000000000000000 ⁽²⁾
CRYXTA1	54A	xxxxxxxxxxxxxxxx	U1SOF ⁽¹⁾	598	0000000000000000	LCDDATA15	5E6	0000000000000000 ⁽²⁾
CRYXTA2	54C	xxxxxxxxxxxxxxxx	U1BDTP2 ⁽¹⁾	59A	0000000000000000	LCDDATA16	5E8	0000000000000000 ⁽²⁾
CRYXTA3	54E	xxxxxxxxxxxxxxxx	U1BDTP3 ⁽¹⁾	59C	0000000000000000	LCDDATA17	5EA	0000000000000000 ⁽²⁾
CRYXTA4	550	xxxxxxxxxxxxxxxx	U1CNFG1 ⁽¹⁾	59E	0000000000000000	LCDDATA18	5EC	0000000000000000 ⁽²⁾
CRYXTA5	552	xxxxxxxxxxxxxxxx	U1CNFG2 ⁽¹⁾	5A0	0000000000000000	LCDDATA19	5EE	0000000000000000 ⁽²⁾
CRYXTA6	554	xxxxxxxxxxxxxxxx	U1EP0 ⁽¹⁾	5A2	0000000000000000	LCDDATA20	5F0	0000000000000000 ⁽²⁾
CRYXTA7	556	xxxxxxxxxxxxxxxx	U1EP1 ⁽¹⁾	5A4	0000000000000000	LCDDATA21	5F2	0000000000000000 ⁽²⁾
CRYXTB0	558	xxxxxxxxxxxxxxxx	U1EP2 ⁽¹⁾	5A6	0000000000000000	LCDDATA22	5F4	0000000000000000 ⁽²⁾
CRYXTB1	55A	xxxxxxxxxxxxxxxx	U1EP3 ⁽¹⁾	5A8	0000000000000000	LCDDATA23	5F6	0000000000000000 ⁽²⁾
CRYXTB2	55C	xxxxxxxxxxxxxxxx	U1EP4 ⁽¹⁾	5AA	0000000000000000	LCDDATA24	5F8	0000000000000000 ⁽²⁾
CRYXTB3	55E	xxxxxxxxxxxxxxxx	U1EP5 ⁽¹⁾	5AC	0000000000000000	LCDDATA25	5FA	0000000000000000 ⁽²⁾
CRYXTB4	560	xxxxxxxxxxxxxxxx	U1EP6 ⁽¹⁾	5AE	0000000000000000	LCDDATA26	5FC	0000000000000000 ⁽²⁾
CRYXTB5	562	xxxxxxxxxxxxxxxx	U1EP7 ⁽¹⁾	5B0	0000000000000000	LCDDATA27	5FE	0000000000000000 ⁽²⁾

Legend: x = unknown or indeterminate value. Reset and address values are in hexadecimal.

Note 1: Implemented in PIC24FJXXGB4XX devices only.

2: LCD registers are only reset on a device POR.

PIC24FJ256GA412/GB412 FAMILY

TABLE 4-11: SFR BLOCK 600h

Register	Address	All Resets	Register	Address	All Resets	Register	Address	All Resets
LCD Controller (Continued)			IOCPDB	684	0000000000000000	PORTF	6C4	0000000000000000
LCDDATA28	600	0000000000000000 ⁽¹⁾	TRISC	686	1001000000011110	LATF	6C6	0000000000000000
LCDDATA29	602	0000000000000000 ⁽¹⁾	PORTC	688	0000000000000000	ODCF	6C8	0000000000000000
LCDDATA30	604	0000000000000000 ⁽¹⁾	LATC	68A	0000000000000000	ANSF	6CA	0011000100111111
LCDDATA31	606	0000000000000000 ⁽¹⁾	ODCC	68C	0000000000000000	IOCPF	6CC	0000000000000000
LCDSE0	608	0000000000000000 ⁽¹⁾	ANSC	68E	000000000011110	IOCNF	6CE	0000000000000000
LCDSE1	60A	0000000000000000 ⁽¹⁾	IOCPD	690	0000000000000000	IOCFE	6D0	0000000000000000
LCDSE2	60C	0000000000000000 ⁽¹⁾	IOCNB	692	0000000000000000	IOCPUF	6D2	0000000000000000
LCDSE3	60E	0000000000000000 ⁽¹⁾	IOCFD	694	0000000000000000	IOCPDF	6D4	0000000000000000
LCDREG	610	0000000000000000 ⁽¹⁾	IOCPUC	696	0000000000000000	TRISG	6D6	1111001111001111
I/O⁽³⁾			IOCPDC	698	0000000000000000	PORTG	6D8	0000000000000000
PADCON	65A	0000000000000000	TRISD	69A	1111111111111111	LATG	6DA	0000000000000000
IOCSTAT	65C	0000000000000000	PORTD	69C	0000000000000000	ODCG	6DC	0000000000000000
TRISA	65E	1100011011111111	LATD	69E	0000000000000000	ANSG	6DE	1111001111000011
PORTA	660	0000000000000000	ODCD	6A0	0000000000000000	IOCPG	6E0	0000000000000000
LATA	662	0000000000000000	ANSD	6A2	1111111111111111	IOCNG	6E2	0000000000000000
ODCA	664	0000000000000000	IOCPD	6A4	0000000000000000	IOCFG	6E4	0000000000000000
ANSA	666	1100011011101101	IOCND	6A6	0000000000000000	IOCPUG	6E6	0000000000000000
IOCPA	668	0000000000000000	IOCFD	6A8	0000000000000000	IOCPDG	6E8	0000000000000000
IOCNA	66A	0000000000000000	IOCPUD	6AA	0000000000000000	TRISH	6EA	1111111111111110
IOCPA	66C	0000000000000000	IOCPDD	6AC	0000000000000000	PORTH	6EC	0000000000000000
IOCPUA	66E	0000000000000000	TRISE	6AE	0000011111111111	LATH	6EE	0000000000000000
IOCPDA	670	0000000000000000	PORTE	6B0	0000000000000000	ODCH	6F0	0000000000000000
TRISB	672	1111111111111111	LATE	6B2	0000000000000000	ANSH	6F2	000000000011110
PORTB	674	0000000000000000	ODCE	6B4	0000000000000000	IOCPH	6F4	0000000000000000
LATB	676	0000000000000000	ANSE	6B6	0000011111111111	IOCNH	6F6	0000000000000000
ODCB	678	0000000000000000	IOCFE	6B8	0000000000000000	IOCFH	6F8	0000000000000000
ANSB	67A	1111111111111111	IOCNE	6BA	0000000000000000	IOCPUH	6FA	0000000000000000
IOCPB	67C	0000000000000000	IOCFE	6BC	0000000000000000	IOCPDH	6FC	0000000000000000
IOCNB	67E	0000000000000000	IOCPUE	6BE	0000000000000000	TRISJ	6FE	0000000000000011
IOCFB	680	0000000000000000	IOCPDE	6C0	0000000000000000			
IOCPUB	682	0000000000000000	TRISF ⁽²⁾	6C2	0011000111111111			

Legend: x = unknown or indeterminate value. Reset and address values are in hexadecimal.

Note 1: LCD registers are only reset on a device POR.

2: TRISF6 is only '1' in PIC24FJXXXGA4XX devices.

3: Reset values shown are for full pin count devices. Please refer to [Table 1-4](#) and [Table 1-5](#) for pin count-specific devices.

PIC24FJ256GA412/GB412 FAMILY

TABLE 4-12: SFR BLOCK 700h

Register	Address	All Resets	Register	Address	All Resets	Register	Address	All Resets
I/O (Continued)			AD1CON1	746	0000000000000000	RPINR13	7AA	0011111100111111
PORTJ	700	0000000000000000	AD1CON2	748	0000000000000000	RPINR14	7AC	0011111100111111
LATJ	702	0000000000000000	AD1CON3	74A	0000000000000000	RPINR15	7AE	0011111100111111
ODCJ	704	0000000000000000	AD1CHS	74C	0000000000000000	RPINR16	7B0	0011111100111111
IOCPJ	708	0000000000000000	AD1CSSH	74E	0000000000000000	RPINR17	7B2	0011111100111111
IOCNJ	70A	0000000000000000	AD1CSSL	750	0000000000000000	RPINR18	7B4	0011111100111111
IOCFJ	70C	0000000000000000	AD1CON4	752	0000000000000000	RPINR19	7B6	0011111100111111
IOCPUJ	70E	0000000000000000	AD1CON5	754	0000000000000000	RPINR20	7B8	0011111100111111
IOCPDJ	710	0000000000000000	AD1CHITH	756	0000000000000000	RPINR21	7BA	0011111100111111
A/D			AD1CHITL	758	0000000000000000	RPINR22	7BC	0011111100111111
AD1BUF0	712	xxxxxxxxxxxxxxxx	AD1TMENH	75A	0000000000000000	RPINR23	7BE	0011111100111111
AD1BUF1	714	xxxxxxxxxxxxxxxx	AD1TMENL	75C	0000000000000000	RPINR24	7C0	0011111100111111
AD1BUF2	716	xxxxxxxxxxxxxxxx	AD1RESDMA	75E	0000000000000000	RPINR25	7C2	0011111100111111
AD1BUF3	718	xxxxxxxxxxxxxxxx	NVM Controller			RPINR26	7C4	0011111100111111
AD1BUF4	71A	xxxxxxxxxxxxxxxx	NVMCON	760	0000000000000000 ⁽¹⁾	RPINR27	7C6	0011111100111111
AD1BUF5	71C	xxxxxxxxxxxxxxxx	NVMADRL	762	0000000000000000	RPINR28	7C8	0011111100111111
AD1BUF6	71E	xxxxxxxxxxxxxxxx	NVMADRH	764	0000000000000000	RPINR29	7CA	0011111100111111
AD1BUF7	720	xxxxxxxxxxxxxxxx	NVMKEY	766	0000000000000000	RPINR30	7CC	0011111100111111
AD1BUF8	722	xxxxxxxxxxxxxxxx	NVMSRCADRL	768	0000000000000000	RPINR31	7CE	0011111100111111
AD1BUF9	724	xxxxxxxxxxxxxxxx	NVMSRCADRH	76A	0000000000000000	RPOR0	7D4	0000000000000000
AD1BUF10	726	xxxxxxxxxxxxxxxx	JDATAL	77C	xxxxxxxxxxxxxxxx	RPOR1	7D6	0000000000000000
AD1BUF11	728	xxxxxxxxxxxxxxxx	JDATAH	77E	xxxxxxxxxxxxxxxx	RPOR2	7D8	0000000000000000
AD1BUF12	72A	xxxxxxxxxxxxxxxx	Peripheral Pin Select			RPOR3	7DA	0000000000000000
AD1BUF13	72C	xxxxxxxxxxxxxxxx	RPINR0	790	0011111100111111	RPOR4	7DC	0000000000000000
AD1BUF14	72E	xxxxxxxxxxxxxxxx	RPINR1	792	0011111100111111	RPOR5	7DE	0000000000000000
AD1BUF15	730	xxxxxxxxxxxxxxxx	RPINR2	794	0011111100111111	RPOR6	7E0	0000000000000000
AD1BUF16	732	xxxxxxxxxxxxxxxx	RPINR3	796	0011111100111111	RPOR7	7E2	0000000000000000
AD1BUF17	734	xxxxxxxxxxxxxxxx	RPINR4	798	0011111100111111	RPOR8	7E4	0000000000000000
AD1BUF18	736	xxxxxxxxxxxxxxxx	RPINR5	79A	0011111100111111	RPOR9	7E6	0000000000000000
AD1BUF19	738	xxxxxxxxxxxxxxxx	RPINR6	79C	0011111100111111	RPOR10	7E8	0000000000000000
AD1BUF20	73A	xxxxxxxxxxxxxxxx	RPINR7	7A2	0011111100111111	RPOR11	7EA	0000000000000000
AD1BUF21	73C	xxxxxxxxxxxxxxxx	RPINR8	7A0	0011111100111111	RPOR12	7EC	0000000000000000
AD1BUF22	73E	xxxxxxxxxxxxxxxx	RPINR9	7A2	0011111100111111	RPOR13	7EE	0000000000000000
AD1BUF23	740	xxxxxxxxxxxxxxxx	RPINR10	7A4	0011111100111111	RPOR14	7F0	0000000000000000
AD1BUF24	742	xxxxxxxxxxxxxxxx	RPINR11	7A6	0011111100111111	RPOR15	7F2	0000000000000000
AD1BUF25	744	xxxxxxxxxxxxxxxx	RPINR12	7A8	0011111100111111			

Legend: x = unknown or indeterminate value. Reset and address values are in hexadecimal.

Note 1: The Reset value shown is for POR only. The value on other Reset states is dependent on the state of memory write/erase operations or partition swap at the time of Reset.

PIC24FJ256GA412/GB412 FAMILY

4.3.5 EXTENDED DATA SPACE (EDS)

The Extended Data Space (EDS) allows PIC24F devices to address a much larger range of data than would otherwise be possible with a 16-bit address range. EDS includes any additional internal data memory not directly accessible by the lower 32-Kbyte data address space and any external memory through the Enhanced Parallel Master Port (EPMP).

In addition, EDS also allows read access to the program memory space. This feature is called Program Space Visibility (PSV) and is discussed in detail in Section 4.4.3 “Reading Data from Program Memory Using EDS”.

Figure 4-6 displays the entire EDS space. The EDS is organized as pages, called EDS pages, with one page equal to the size of the EDS window (32 Kbytes). A particular EDS page is selected through the Data Space Read Page register (DSRPAG) or Data Space Write Page register (DSWPAG). For PSV, only the DSRPAG register is used. The combination of the DSRPAG register value and the 16-bit wide data address forms a 24-bit Effective Address (EA).

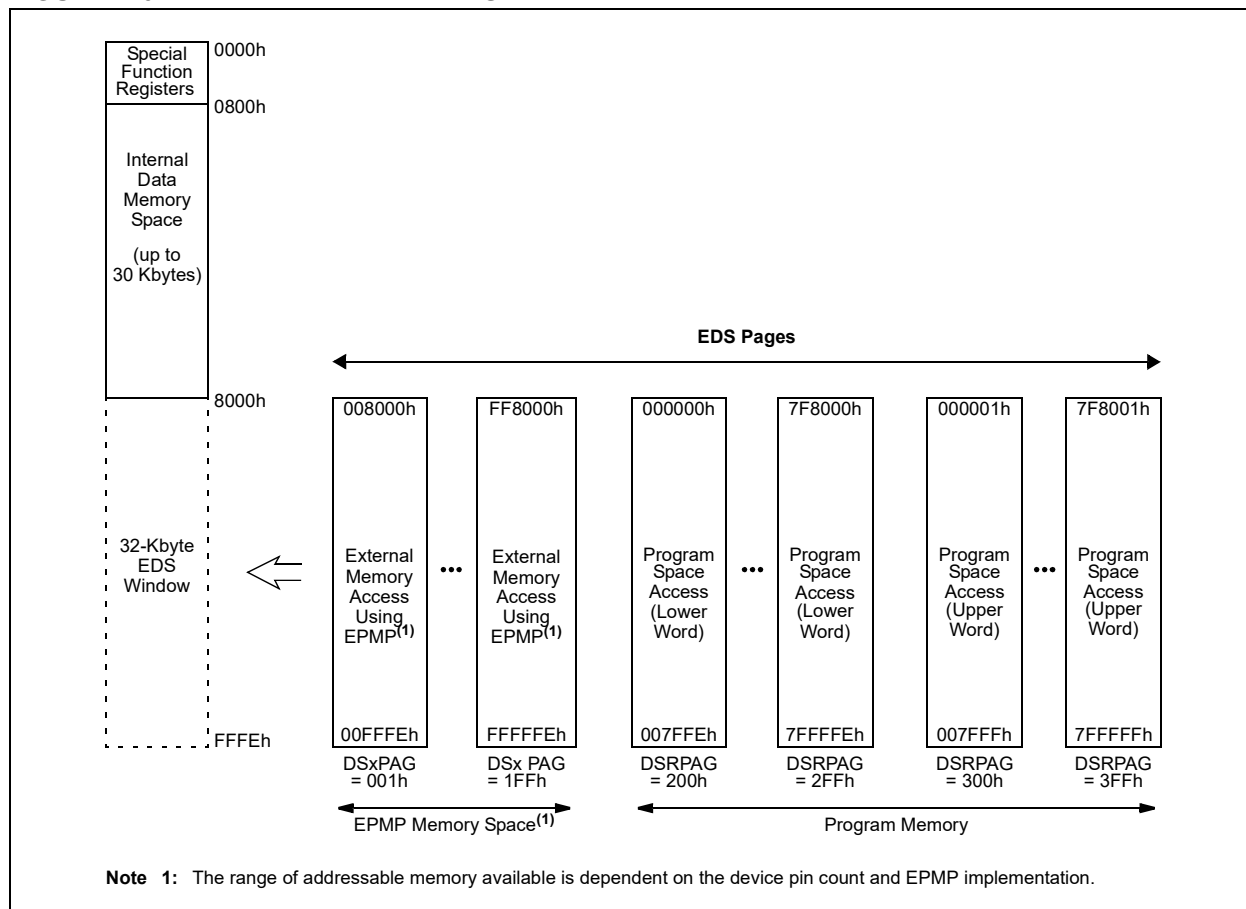
The data addressing range of PIC24FJ256GA412/GB412 family devices depends on the version of the Enhanced Parallel Master Port (EPMP) implemented on a particular device; this is, in turn, a function of the device pin count. Table 4-13 lists the total memory accessible by each of the devices in this family. For more details on accessing external memory using EPMP, refer to the “dsPIC33/PIC24 Family Reference Manual”, “Enhanced Parallel Master Port (EPMP)” (www.microchip.com/DS39730).

TABLE 4-13: TOTAL ACCESSIBLE DATA MEMORY

Family	Internal RAM	External RAM Access Using EPMP
PIC24FJXXXGX406	8 Kbytes	Up to 64 Kbytes
PIC24FJXXXGX410	16 Kbytes	Up to 16 Mbytes
PIC24FJXXXGX412	16 Kbytes	Up to 16 Mbytes

Note: Accessing Page 0 in the EDS window will generate an address error trap as Page 0 is the base data memory (data locations, 0800h to 7FFFh, in the lower Data Space).

FIGURE 4-6: EXTENDED DATA SPACE



PIC24FJ256GA412/GB412 FAMILY

4.3.5.1 Data Read from EDS

In order to read the data from the EDS space, first, an Address Pointer is set up by loading the required EDS page number into the DSRPAG register and assigning the offset address to one of the W registers. Once the above assignment is done, the EDS window is enabled by setting bit 15 of the Working register assigned with the offset address; then, the contents of the pointed EDS location can be read.

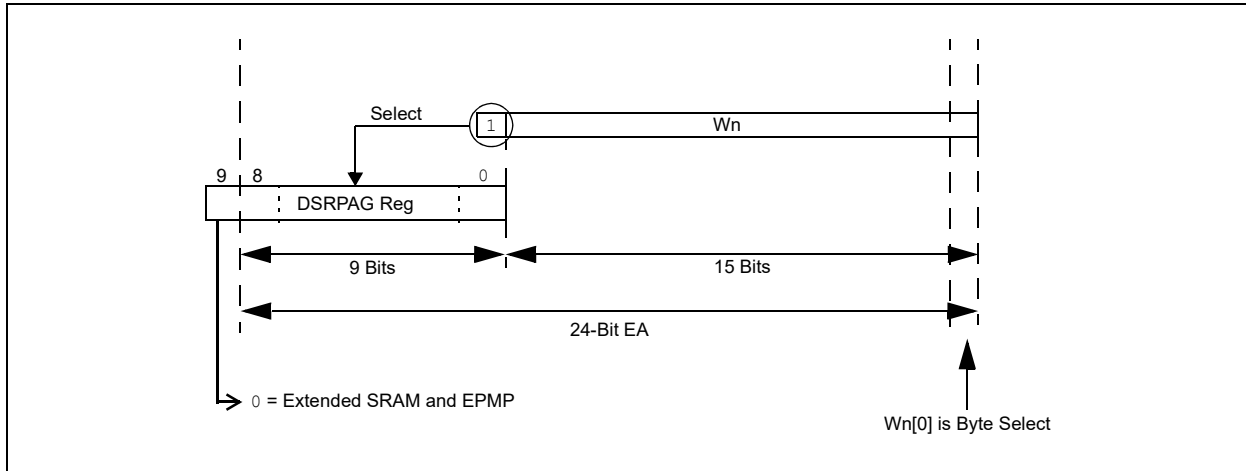
Figure 4-7 illustrates how the EDS space address is generated for read operations.

When the Most Significant bit (MSb) of EA is '1' and DSRPAG[9] = 0, the lower 9 bits of DSRPAG are concatenated to the lower 15 bits of the EA to form a 24-bit EDS space address for read operations.

Example 4-1 shows how to read a byte, word and double-word from EDS.

Note: All read operations from EDS space have an overhead of one instruction cycle. Therefore, a minimum of two instruction cycles is required to complete an EDS read. EDS reads under the REPEAT instruction; the first two accesses take three cycles and the subsequent accesses take one cycle.

FIGURE 4-7: EDS ADDRESS GENERATION FOR READ OPERATIONS



EXAMPLE 4-1: EDS READ CODE IN ASSEMBLY

```

; Set the EDS page from where the data to be read
mov    #0x0002, w0
mov    w0, DSRPAG    ;page 2 is selected for read
mov    #0x0800, w1    ;select the location (0x800) to be read
bset   w1, #15       ;set the MSB of the base address, enable EDS mode

;Read a byte from the selected location
mov.b  [w1++], w2    ;read Low byte
mov.b  [w1++], w3    ;read High byte

;Read a word from the selected location
mov    [w1], w2      ;

;Read Double - word from the selected location
mov.d  [w1], w2      ;two word read, stored in w2 and w3
    
```

PIC24FJ256GA412/GB412 FAMILY

4.3.5.2 Data Write into EDS

In order to write data to EDS space, such as in EDS reads, an Address Pointer is set up by loading the required EDS page number into the DSWPAG register and assigning the offset address to one of the W registers. Once the above assignment is done, then the EDS window is enabled by setting bit 15 of the Working register assigned with the offset address and the accessed location can be written.

Figure 4-8 illustrates how the EDS space address is generated for write operations.

When the MSb of EA is '1', the lower 9 bits of DSWPAG are concatenated to the lower 15 bits of EA to form a 24-bit EDS address for write operations. Example 4-2 shows how to write a byte, word and double-word to EDS.

The DS Page registers (DSRPAG/DSWPAG) do not update automatically while crossing a page boundary when the rollover happens from 0xFFFF to 0x8000.

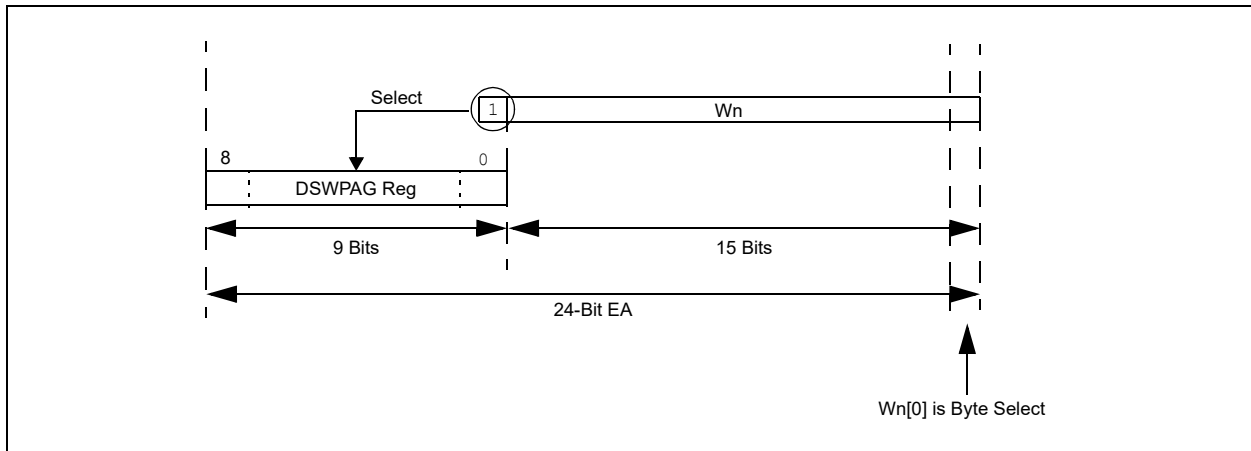
While developing code in assembly, care must be taken to update the DS Page registers when an Address Pointer crosses the page boundary. The 'C' compiler keeps track of the addressing, and increments or decrements the DS Page registers accordingly, while accessing contiguous data memory locations.

Note 1: All write operations to EDS are executed in a single cycle.

2: Use of Read/Modify/Write operation on any EDS location under a REPEAT instruction is not supported. For example, BCLR, BSW, BTG, RLC f, RLNC f, RRC f, RRNC f, ADD f, SUB f, SUBR f, AND f, IOR f, XOR f, ASR f, ASL f.

3: Use the DSRPAG register while performing Read/Modify/Write operations.

FIGURE 4-8: EDS ADDRESS GENERATION FOR WRITE OPERATIONS



EXAMPLE 4-2: EDS WRITE CODE IN ASSEMBLY

```
; Set the EDS page where the data to be written
mov    #0x0002, w0
mov    w0, DSWPAG    ;page 2 is selected for write
mov    #0x0800, w1   ;select the location (0x800) to be written
bset   w1, #15      ;set the MSB of the base address, enable EDS mode

;Write a byte to the selected location
mov    #0x00A5, w2
mov    #0x003C, w3
mov.b  w2, [w1++]   ;write Low byte
mov.b  w3, [w1++]   ;write High byte

;Write a word to the selected location
mov    #0x1234, w2   ;
mov    w2, [w1]     ;

;Write a Double - word to the selected location
mov    #0x1122, w2
mov    #0x4455, w3
mov.d  w2, [w1]     ;2 EDS writes
```

PIC24FJ256GA412/GB412 FAMILY

TABLE 4-14: EDS MEMORY ADDRESS WITH DIFFERENT PAGES AND ADDRESSES

DSRPAG (Data Space Read Register)	DSWPAG (Data Space Write Register)	Source/Destination Address While Indirect Addressing	24-Bit EA Pointing to EDS	Comment
x ⁽¹⁾	x ⁽¹⁾	0000h to 1FFFh	000000h to 001FFFh	Near Data Space ⁽²⁾
		2000h to 7FFFh	002000h to 007FFFh	
001h	001h	8000h to FFFFh	008000h to 00FFFEh	EPMP Memory Space
002h	002h		010000h to 017FFEh	
003h	003h		018000h to 0187FEh	
•	•		•	
•	•		•	
•	•	•		
•	•	•		
1FFh	1FFh	FF8000h to FFFFh		
000h	000h		Invalid Address	Address Error Trap ⁽³⁾

- Note 1:** If the source/destination address is below 8000h, the DSRPAG and DSWPAG registers are not considered.
- 2:** This Data Space can also be accessed by Direct Addressing.
- 3:** When the source/destination address is above 8000h and DSRPAG/DSWPAG are '0', an address error trap will occur.

4.3.6 SOFTWARE STACK

Apart from its use as a Working register, the W15 register in PIC24F devices is also used as a Software Stack Pointer (SSP). The pointer always points to the first available free word and grows from lower to higher addresses. It decrements for stack pops and post-increments for stack pushes, as shown in Figure 4-9. Note that for a PC push during any CALL instruction, the MSB of the PC is zero-extended before the push, ensuring that the MSB is always clear.

Note: A PC push during exception processing will concatenate the SRL register to the MSB of the PC prior to the push.

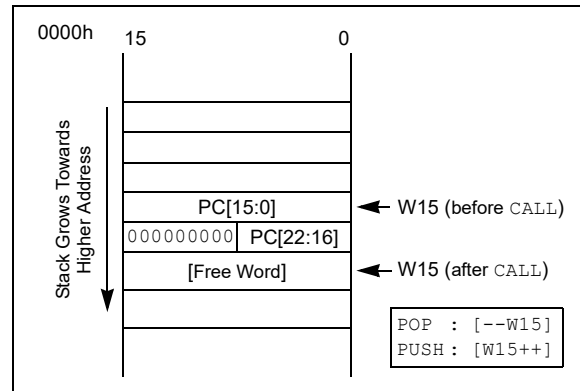
The Stack Pointer Limit Value register (SPLIM), associated with the Stack Pointer, sets an upper address boundary for the stack. SPLIM is uninitialized at Reset. As is the case for the Stack Pointer, SPLIM[0] is forced to '0' as all stack operations must be word-aligned. Whenever an EA is generated using W15 as a source or destination pointer, the resulting address is compared with the value in SPLIM. If the contents of the Stack Pointer (W15) and the SPLIM register are equal, and a push operation is performed, a stack error trap will not occur. The stack error trap will occur on a subsequent push operation. Thus, for example, if it is

desirable to cause a stack error trap when the stack grows beyond address, 2000h in RAM, initialize the SPLIM with the value, 1FFEh.

Similarly, a Stack Pointer underflow (stack error) trap is generated when the Stack Pointer address is found to be less than 0800h. This prevents the stack from interfering with the SFR space.

A write to the SPLIM register should not be immediately followed by an indirect read operation using W15.

FIGURE 4-9: CALL STACK FRAME



PIC24FJ256GA412/GB412 FAMILY

4.4 Interfacing Program and Data Memory Spaces

The PIC24F architecture uses a 24-bit wide program space and 16-bit wide Data Space. The architecture is also a modified Harvard scheme, meaning that data can also be present in the program space. To use these data successfully, they must be accessed in a way that preserves the alignment of information in both spaces.

Aside from normal execution, the PIC24F architecture provides two methods by which program space can be accessed during operation:

- Using table instructions to access individual bytes or words anywhere in the program space
- Remapping a portion of the program space into the Data Space (Program Space Visibility)

Table instructions allow an application to read or write to small areas of the program memory. This makes the method ideal for accessing data tables that need to be updated from time to time. It also allows access to all bytes of the program word. The remapping method allows an application to access a large block of data on a read-only basis, which is ideal for look-ups from a large table of static data. It can only access the least significant word of the program word.

4.4.1 ADDRESSING PROGRAM SPACE

Since the address ranges for the data and program spaces are 16 and 24 bits, respectively, a method is needed to create a 23-bit or 24-bit program address from 16-bit data registers. The solution depends on the interface method to be used.

For table operations, the 8-bit Table Memory Page Address (TBLPAG) register is used to define a 32K word region within the program space. This is concatenated with a 16-bit EA to arrive at a full 24-bit program space address. In this format, the MSBs of TBLPAG are used to determine if the operation occurs in the user memory (TBLPAG[7] = 0) or the configuration memory (TBLPAG[7] = 1).

For remapping operations, the 10-bit Extended Data Space Read (DSRPAG) register is used to define a 16K word page in the program space. When the Most Significant bit (MSb) of the EA is '1', and the MSb (bit 9) of DSRPAG is '1', the lower 8 bits of DSRPAG are concatenated with the lower 15 bits of the EA to form a 23-bit program space address. The DSRPAG[8] bit decides whether the lower word (when the bit is '0') or the higher word (when the bit is '1') of program memory is mapped. Unlike table operations, this strictly limits remapping operations to the user memory area.

Table 4-15 and Figure 4-10 show how the program EA is created for table operations, and remapping accesses from the data EA. Here, P[23:0] refer to a program space word, whereas D[15:0] refer to a Data Space word.

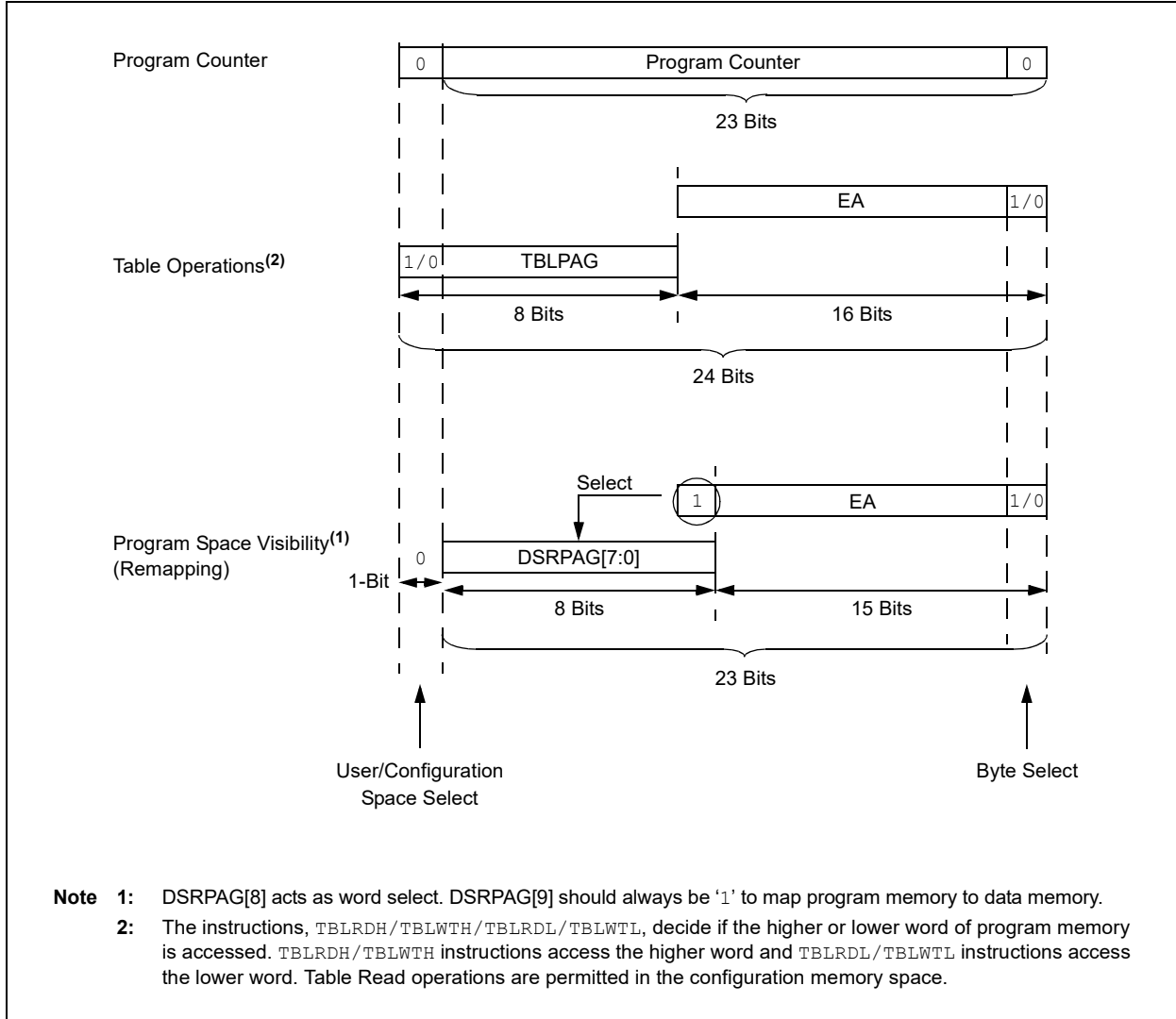
TABLE 4-15: PROGRAM SPACE ADDRESS CONSTRUCTION

Access Type	Access Space	Program Space Address				
		[23]	[22:16]	[15]	[14:1]	[0]
Instruction Access (Code Execution)	User	0	PC[22:1]			0
		0xx xxxx xxxx xxxx xxxx xxx0				
TBLRD/TBLWT (Byte/Word Read/Write)	User	TBLPAG[7:0]		Data EA[15:0]		
		0xxx xxxx		xxxx xxxx xxxx xxxx		
	Configuration	TBLPAG[7:0]		Data EA[15:0]		
		1xxx xxxx		xxxx xxxx xxxx xxxx		
Program Space Visibility (Block Remap/Read)	User	0	DSRPAG[7:0] ⁽²⁾		Data EA[14:0] ⁽¹⁾	
		0	xxxx xxxx		xxx xxxx xxxx xxxx	

- Note 1:** Data EA[15] is always '1' in this case, but is not used in calculating the program space address. Bit 15 of the address is DSRPAG[0].
- 2:** DSRPAG[9] is always '1' in this case. DSRPAG[8] decides whether the lower word or higher word of program memory is read. When DSRPAG[8] is '0', the lower word is read and when it is '1', the higher word is read.

PIC24FJ256GA412/GB412 FAMILY

FIGURE 4-10: DATA ACCESS FROM PROGRAM SPACE ADDRESS GENERATION



PIC24FJ256GA412/GB412 FAMILY

4.4.2 DATA ACCESS FROM PROGRAM MEMORY USING TABLE INSTRUCTIONS

The `TBLRDL` and `TBLWTL` instructions offer a direct method of reading or writing the lower word of any address within the program space without going through Data Space. The `TBLRDH` and `TBLWTH` instructions are the only method to read or write the upper eight bits of a program space word as data.

The PC is incremented by two for each successive 24-bit program word. This allows program memory addresses to directly map to Data Space addresses. Program memory can thus be regarded as two, 16-bit word-wide address spaces, residing side by side, each with the same address range. `TBLRDL` and `TBLWTL` access the space which contains the least significant data word, and `TBLRDH` and `TBLWTH` access the space which contains the upper data byte.

Two table instructions are provided to move byte or word-sized (16-bit) data to and from program space. Both function as either byte or word operations.

1. `TBLRDL` (Table Read Low): In Word mode, it maps the lower word of the program space location (`P[15:0]`) to a data address (`D[15:0]`). In Byte mode, either the upper or lower byte of the lower program word is mapped to the lower byte of a data address. The upper byte is selected when byte select is '1'; the lower byte is selected when it is '0'.

2. `TBLRDH` (Table Read High): In Word mode, it maps the entire upper word of a program address (`P[23:16]`) to a data address. Note that `D[15:8]`, the 'phantom' byte, will always be '0'.

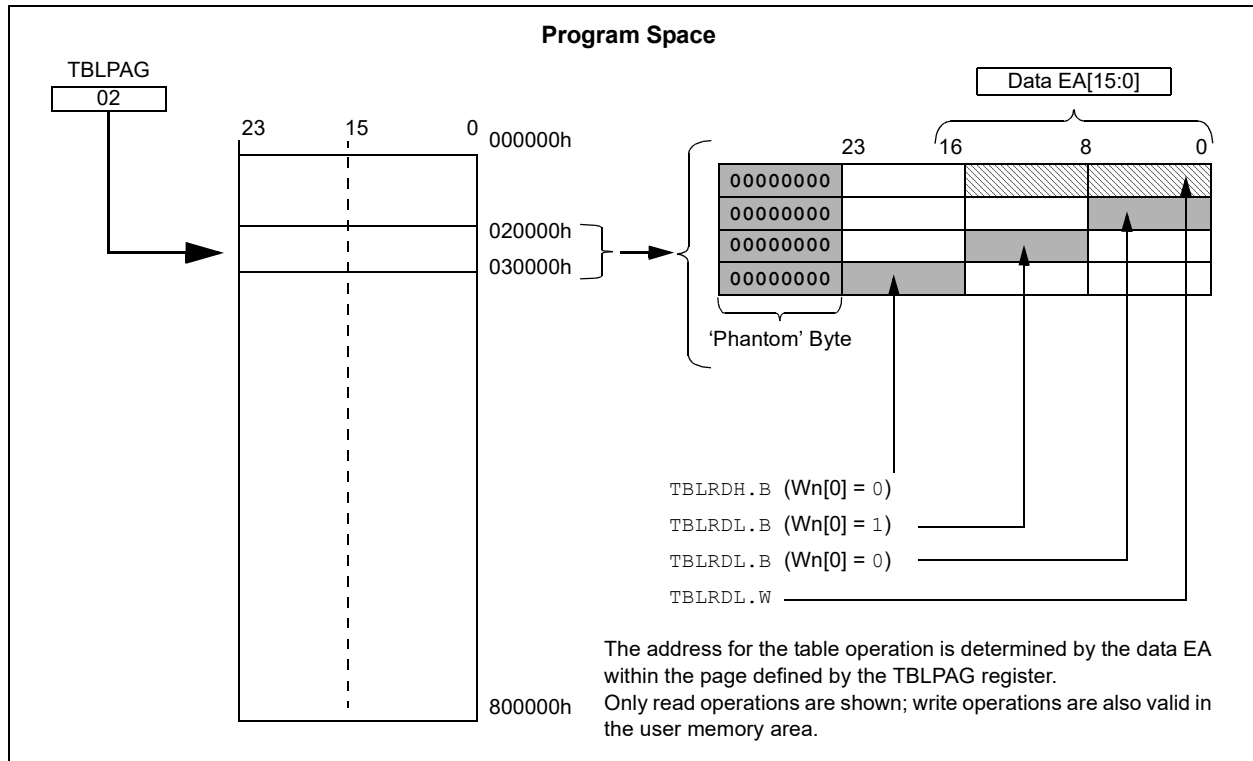
In Byte mode, it maps the upper or lower byte of the program word to `D[7:0]` of the data address, as above. Note that the data will always be '0' when the upper 'phantom' byte is selected (Byte Select = 1).

In a similar fashion, two table instructions, `TBLWTH` and `TBLWTL`, are used to write individual bytes or words to a program space address. The details of their operation are described in [Section 6.0 "Flash Program Memory"](#).

For all table operations, the area of program memory space to be accessed is determined by the Table Memory Page Address (`TBLPAG`) register. `TBLPAG` covers the entire program memory space of the device, including user and configuration spaces. When `TBLPAG[7] = 0`, the table page is located in the user memory space. When `TBLPAG[7] = 1`, the page is located in configuration space.

Note: Only Table Read operations will execute in the configuration memory space where Device IDs are located. Table Write operations are not allowed.

FIGURE 4-11: ACCESSING PROGRAM MEMORY WITH TABLE INSTRUCTIONS



PIC24FJ256GA412/GB412 FAMILY

4.4.3 READING DATA FROM PROGRAM MEMORY USING EDS

The upper 32 Kbytes of Data Space may optionally be mapped into any 16K word page of the program space. This provides transparent access of stored constant data from the Data Space without the need to use special instructions (i.e., `TBLRDL/H`).

Program space access through the Data Space occurs when the MSb of EA is '1' and the `DSRPAG[9]` is also '1'. The lower eight bits of `DSRPAG` are concatenated to the `Wn[14:0]` bits to form a 23-bit EA to access program memory. The `DSRPAG[8]` decides which word should be addressed; when the bit is '0', the lower word and when '1', the upper word of the program memory is accessed.

The entire program memory is divided into 512 EDS pages, from 200h to 3FFh, each consisting of 16K words of data. Pages, 200h to 2FFh, correspond to the lower words of the program memory, while 300h to 3FFh correspond to the upper words of the program memory.

Using this EDS technique, the entire program memory can be accessed. Previously, the access to the upper word of the program memory was not supported.

[Table 4-16](#) provides the corresponding 23-bit EDS address for program memory with EDS page and source addresses.

For operations that use PSV, and are executed outside a `REPEAT` loop, the `MOV` and `MOV.D` instructions will require one instruction cycle in addition to the specified execution time. All other instructions will require two instruction cycles in addition to the specified execution time.

For operations that use PSV, which are executed inside a `REPEAT` loop, there will be some instances that require two instruction cycles in addition to the specified execution time of the instruction:

- Execution in the first iteration
- Execution in the last iteration
- Execution prior to exiting the loop due to an interrupt
- Execution upon re-entering the loop after an interrupt is serviced

Any other iteration of the `REPEAT` loop will allow the instruction accessing data, using PSV, to execute in a single cycle.

TABLE 4-16: EDS PROGRAM ADDRESS WITH DIFFERENT PAGES AND ADDRESSES

DSRPAG (Data Space Read Register)	Source Address While Indirect Addressing	23-Bit EA Pointing to EDS	Comment
200h • • • 2FFh	8000h to FFFFh	000000h to 007FFEh • • • 7F8000h to 7FFFEh	Lower words of 4M program instructions; (8 Mbytes) for read operations only
300h • • • 3FFh		000001h to 007FFFh • • • 7F8001h to 7FFFFFh	Upper words of 4M program instructions (4 Mbytes remaining, 4 Mbytes are phantom bytes); for read operations only
000h		Invalid Address	Address error trap ⁽¹⁾

Note 1: When the source/destination address is above 8000h and `DSRPAG/DSWPAG` are '0', an address error trap will occur.

EXAMPLE 4-3: EDS READ CODE FROM PROGRAM MEMORY IN ASSEMBLY

```

; Set the EDS page from where the data to be read
mov    #0x0202, w0
mov    w0, DSRPAG           ;page 0x202, consisting lower words, is selected for read
mov    #0x000A, w1         ;select the location (0x0A) to be read
bset   w1, #15             ;set the MSB of the base address, enable EDS mode
;Read a byte from the selected location
mov.b  [w1++], w2          ;read Low byte
mov.b  [w1++], w3          ;read High byte
;Read a word from the selected location
mov    [w1], w2            ;
;Read Double - word from the selected location
mov.d  [w1], w2            ;two word read, stored in w2 and w3

```

PIC24FJ256GA412/GB412 FAMILY

FIGURE 4-12: PROGRAM SPACE VISIBILITY OPERATION TO ACCESS LOWER WORD

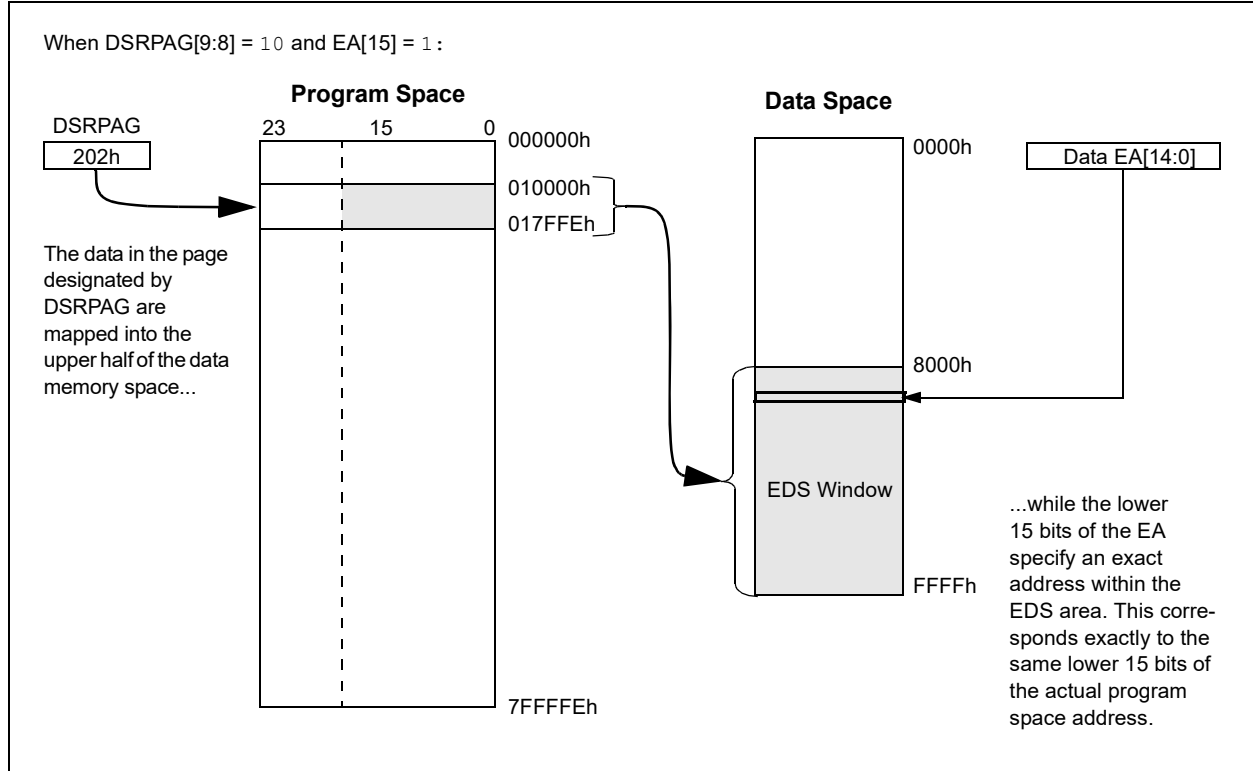
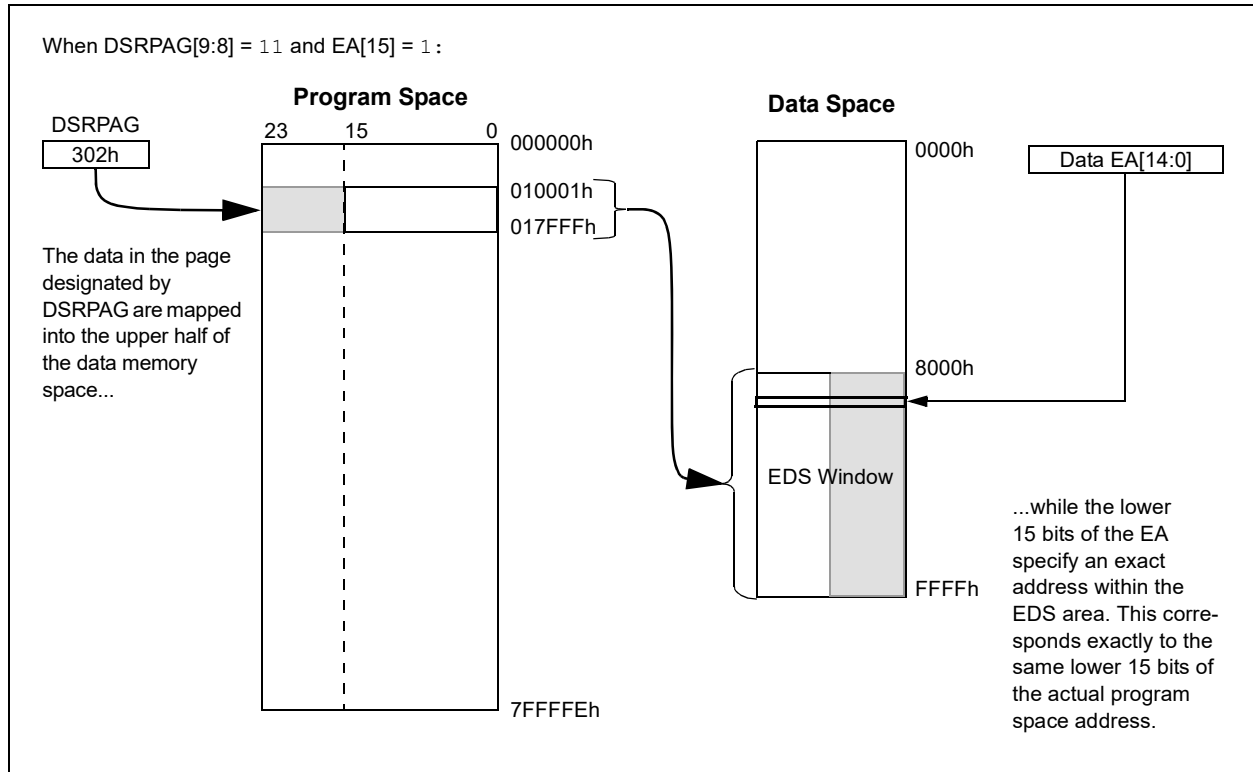


FIGURE 4-13: PROGRAM SPACE VISIBILITY OPERATION TO ACCESS UPPER WORD



PIC24FJ256GA412/GB412 FAMILY

NOTES:

PIC24FJ256GA412/GB412 FAMILY

5.0 DIRECT MEMORY ACCESS CONTROLLER (DMA)

Note: This data sheet summarizes the features of this group of PIC24F devices. It is not intended to be a comprehensive reference source. For more information, refer to the “dsPIC33/PIC24 Family Reference Manual”, “Direct Memory Access Controller (DMA)” (www.microchip.com/DS30009742). The information in this data sheet supersedes the information in the FRM.

The Direct Memory Access Controller (DMA) is designed to service high data throughput peripherals operating on the SFR bus, allowing them to access data memory directly and alleviating the need for CPU-intensive management. By allowing these data-intensive peripherals to share their own data path, the main data bus is also deloaded, resulting in additional power savings.

The DMA Controller functions both as a peripheral and a direct extension of the CPU. It is located on the microcontroller data bus between the CPU and DMA-enabled peripherals, with direct access to SRAM. This partitions the SFR bus into two buses, allowing the DMA Controller access to the DMA-capable peripherals located on the new DMA SFR bus. The controller serves as a master device on the DMA SFR bus, controlling data flow from DMA-capable peripherals.

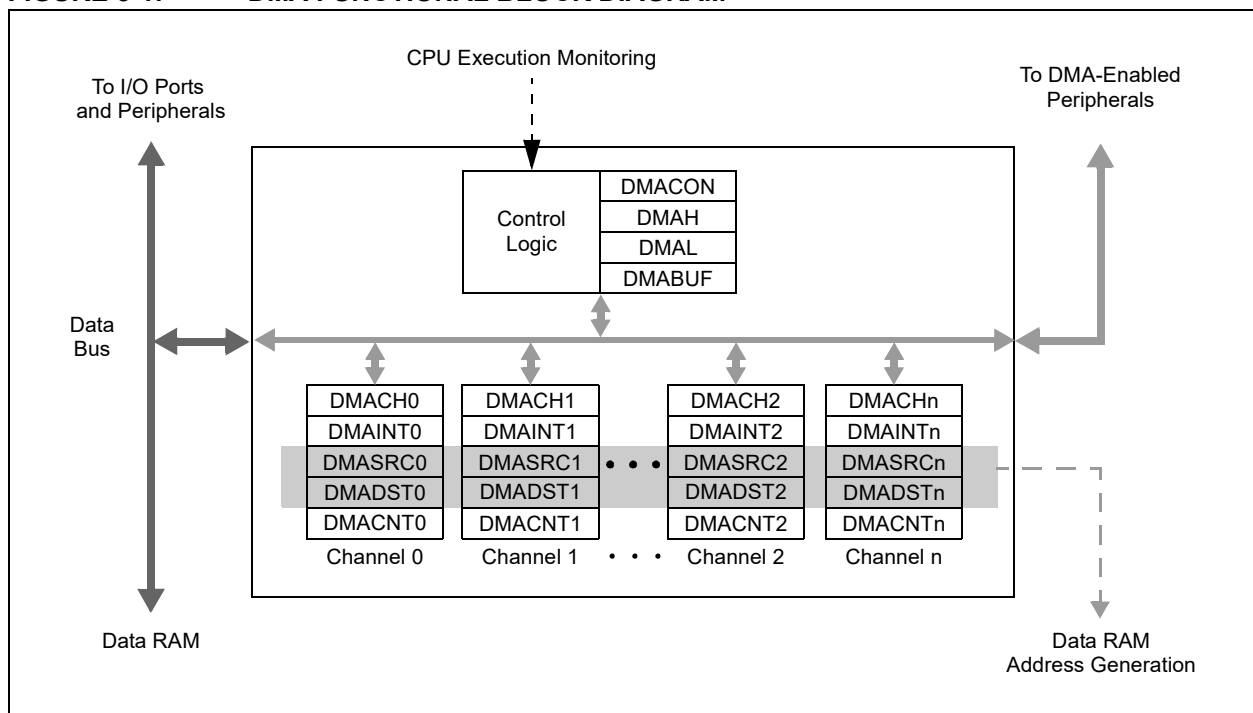
The controller also monitors CPU instruction processing directly, allowing it to be aware of when the CPU requires access to peripherals on the DMA bus and automatically relinquishing control to the CPU as needed. This increases the effective bandwidth for handling data without DMA operations causing a processor Stall. This makes the controller essentially transparent to the user.

The DMA Controller has these features:

- Six Multiple Independent and Independently Programmable Channels
- Concurrent Operation with the CPU (no DMA caused Wait states)
- DMA Bus Arbitration
- Five Programmable Address modes
- Four Programmable Transfer modes
- Four Flexible Internal Data Transfer modes
- Byte or Word Support for Data Transfer
- 16-Bit Source and Destination Address Register for Each Channel, Dynamically Updated and Reloadable
- 16-Bit Transaction Count Register, Dynamically Updated and Reloadable
- Upper and Lower Address Limit Registers
- Counter Half-Full Level Interrupt
- Software Triggered Transfer
- Null Write mode for Symmetric Buffer Operations

A simplified block diagram of the DMA Controller is shown in [Figure 5-1](#).

FIGURE 5-1: DMA FUNCTIONAL BLOCK DIAGRAM



PIC24FJ256GA412/GB412 FAMILY

5.1 Summary of DMA Operations

The DMA Controller is capable of moving data between addresses according to a number of different parameters. Each of these parameters can be independently configured for any transaction. In addition, any or all of the DMA channels can independently perform a different transaction at the same time. Transactions are classified by these parameters:

- Source and destination (SFRs and data RAM)
- Data size (byte or word)
- Trigger source
- Transfer mode (One-Shot, Repeated or Continuous)
- Addressing modes (Fixed Address or Address Blocks with or without Address Increment/Decrement)

In addition, the DMA Controller provides channel priority arbitration for all channels.

5.1.1 SOURCE AND DESTINATION

Using the DMA Controller, data may be moved between any two addresses in the Data Space. The SFR space (0000h to 07FFh) or the data RAM space (0800h to FFFFh) can serve as either the source or the destination. Data can be moved between these areas in either direction or between addresses in either area. The four different combinations are shown in [Figure 5-2](#).

If it is necessary to protect areas of data RAM, the DMA Controller allows the user to set upper and lower address boundaries for operations in the Data Space above the SFR space. The boundaries are set by the DMAH and DMAL Limit registers. If a DMA channel attempts an operation outside of the address boundaries, the transaction is terminated and an interrupt is generated.

5.1.2 DATA SIZE

The DMA Controller can handle both 8-bit and 16-bit transactions. Size is user-selectable using the SIZE bit (DMACHn[1]). By default, each channel is configured for word-size transactions. When byte-size transactions are chosen, the LSb of the source and/or destination address determines if the data represent the upper or lower byte of the data RAM location.

5.1.3 TRIGGER SOURCE

The DMA Controller can use 63 of the device's interrupt sources to initiate a transaction. The DMA trigger sources occur in reverse order than their natural interrupt priority and are shown in [Table 5-1](#).

Since the source and destination addresses for any transaction can be programmed independently of the trigger source, the DMA Controller can use any trigger to perform an operation on any peripheral. This also allows DMA channels to be cascaded to perform more complex transfer operations.

5.1.4 TRANSFER MODE

The DMA Controller supports four types of data transfers, based on the volume of data to be moved for each trigger.

- One-Shot: A single transaction occurs for each trigger.
- Continuous: A series of back-to-back transactions occur for each trigger; the number of transactions is determined by the DMACNTn transaction counter.
- Repeated One-Shot: A single transaction is performed repeatedly, once per trigger, until the DMA channel is disabled.
- Repeated Continuous: A series of transactions are performed repeatedly, one cycle per trigger, until the DMA channel is disabled.

All transfer modes allow the option to have the source and destination addresses, and counter value, automatically reloaded after the completion of a transaction; Repeated mode transfers do this automatically.

5.1.5 ADDRESSING MODES

The DMA Controller also supports transfers between single addresses or address ranges. The four basic options are:

- Fixed-to-Fixed: Between two constant addresses
- Fixed-to-Block: From a constant source address to a range of destination addresses
- Block-to-Fixed: From a range of source addresses to a single, constant destination address
- Block-to-Block: From a range of source addresses to a range of destination addresses

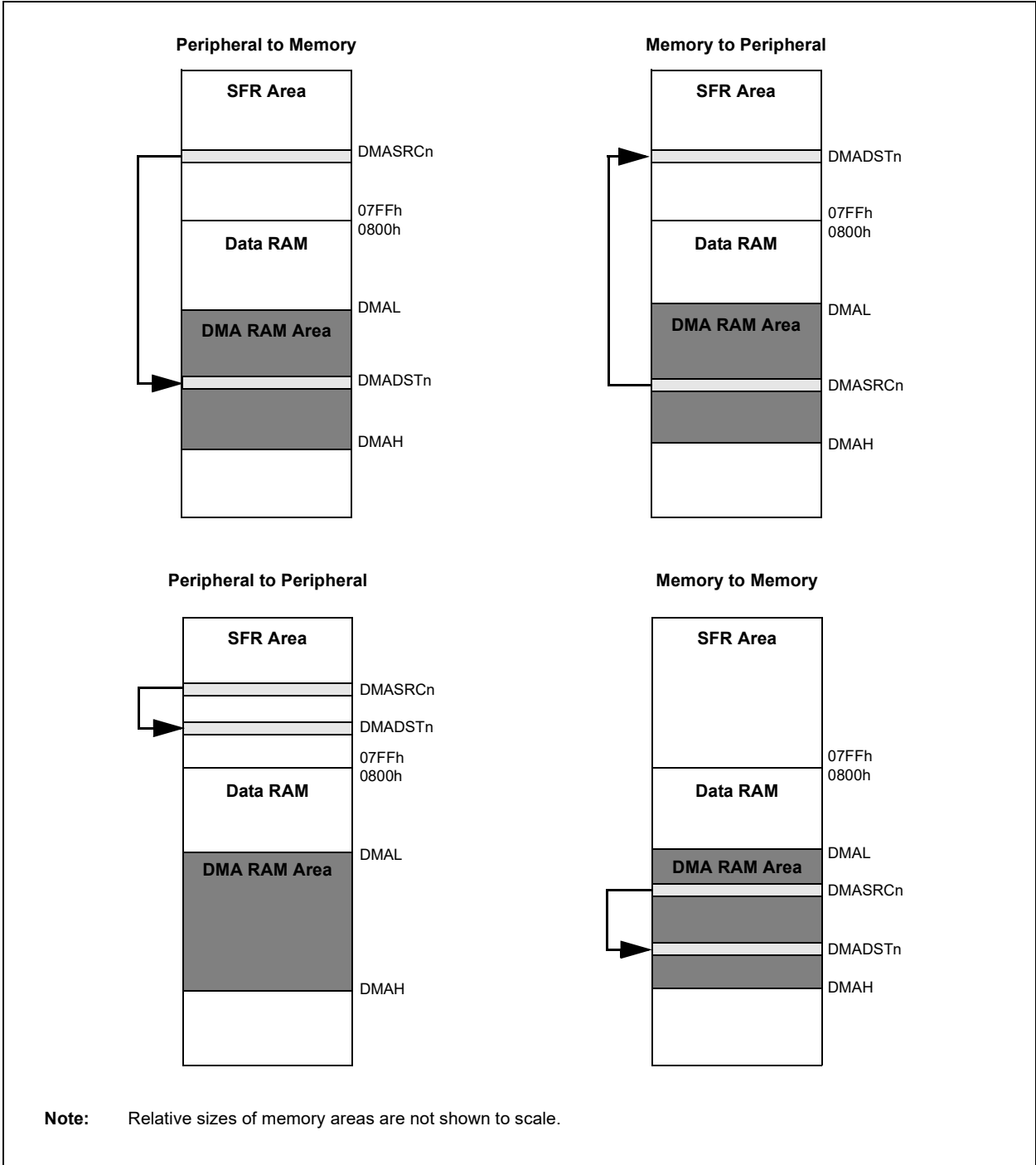
The option to select auto-increment or auto-decrement of source and/or destination addresses is available for Block Addressing modes.

In addition to the four basic modes, the DMA Controller also supports Peripheral Indirect Addressing (PIA) mode, where the source or destination address is generated jointly by the DMA Controller and a PIA-capable peripheral. When enabled, the DMA channel provides a base source and/or destination address, while the peripheral provides a fixed range offset address.

For PIC24FJ256GA412/GB412 family devices, the 12-bit A/D Converter module is the only PIA-capable peripheral. Details for its use in PIA mode are provided in [Section 27.0 “12-Bit A/D Converter with Threshold Detect”](#).

PIC24FJ256GA412/GB412 FAMILY

FIGURE 5-2: TYPES OF DMA DATA TRANSFERS



PIC24FJ256GA412/GB412 FAMILY

5.1.6 CHANNEL PRIORITY

Each DMA channel functions independently of the others, but also competes with the others for access to the data and DMA buses. When access collisions occur, the DMA Controller arbitrates between the channels using a user-selectable priority scheme. Two schemes are available:

- Round Robin: When two or more channels collide, the lower numbered channel receives priority on the first collision. On subsequent collisions, the higher numbered channels each receive priority based on their channel number.
- Fixed: When two or more channels collide, the lowest numbered channel always receives priority, regardless of past history; however, any channel being actively processed is not available for an immediate retrigger. If a higher priority channel is continually requesting service, it will be scheduled for service after the next lower priority channel with a pending request.

5.2 Typical Setup

To set up a DMA channel for a basic data transfer:

1. Enable the DMA Controller ($DMAEN = 1$) and select an appropriate channel priority scheme by setting or clearing $PRSEL$.
2. Program $DMAH$ and $DMAL$ with appropriate upper and lower address boundaries for data RAM operations.
3. Select the DMA channel to be used and disable its operation ($CHEN = 0$).
4. Program the appropriate source and destination addresses for the transaction into the channel's $DMASRCn$ and $DMADSTn$ registers. For PIA Addressing mode, use the base address value.
5. Program the $DMACNTn$ register for the number of triggers per transfer (One-Shot or Continuous modes) or the number of words (bytes) to be transferred (Repeated modes).
6. Set or clear the $SIZE$ bit to select the data size.
7. Program the $TRMODE[1:0]$ bits to select the Data Transfer mode.
8. Program the $SAMODE[1:0]$ and $DAMODE[1:0]$ bits to select the addressing mode.
9. Enable the DMA channel by setting $CHEN$.
10. Enable the trigger source interrupt.

5.3 Peripheral Module Disable

Unlike other peripheral modules, the channels of the DMA Controller cannot be individually powered down using the Peripheral Module Disable (PMD) registers. Instead, the channels are controlled as two groups. The $DMA0MD$ bit ($PMD7[4]$) selectively controls $DMACH0$ through $DMACH3$. The $DMA1MD$ bit ($PMD7[5]$) controls $DMACH4$ and $DMACH5$. Setting both bits effectively disables the DMA Controller.

5.4 Registers

The DMA Controller uses a number of registers to control its operation. The number of registers depends on the number of channels implemented for a particular device.

There are always four module-level registers (one control and three buffer/address):

- $DMACON$: DMA Engine Control Register ([Register 5-1](#))
- $DMAH$ and $DMAL$: DMA High and Low Address Limit Registers
- $DMABUF$: DMA Transfer Data Buffer

Each of the DMA channels implements five registers (two control and three buffer/address):

- $DMACHn$: DMA Channel n Control Register ([Register 5-2](#))
- $DMAINTn$: DMA Channel n Interrupt Register ([Register 5-3](#))
- $DMASRCn$: DMA Data Source Address Pointer for Channel n Register
- $DMADSTn$: DMA Data Destination Source for Channel n Register
- $DMACNTn$: DMA Transaction Counter for Channel n Register

For PIC24FJ256GA412/GB412 family devices, there are a total of 34 registers.

PIC24FJ256GA412/GB412 FAMILY

REGISTER 5-1: DMACON: DMA ENGINE CONTROL REGISTER

R/W-0	U-0	U-0	U-0	U-0	U-0	U-0	U-0
DMAEN	—	—	—	—	—	—	—
bit 15							bit 8

U-0	U-0	U-0	U-0	U-0	U-0	U-0	R/W-0
—	—	—	—	—	—	—	PRSEL
bit 7							bit 0

Legend:

R = Readable bit W = Writable bit U = Unimplemented bit, read as '0'
 -n = Value at POR '1' = Bit is set '0' = Bit is cleared x = Bit is unknown

- bit 15 **DMAEN:** DMA Module Enable bit
 1 = Enables module
 0 = Disables module and terminates all active DMA operation(s)
- bit 14-1 **Unimplemented:** Read as '0'
- bit 0 **PRSEL:** Channel Priority Scheme Selection bit
 1 = Round robin scheme
 0 = Fixed priority scheme

PIC24FJ256GA412/GB412 FAMILY

REGISTER 5-2: DMACHn: DMA CHANNEL n CONTROL REGISTER

U-0	U-0	U-0	r-0	U-0	R/W-0	R/W-0	R/W-0
—	—	—	—	—	NULLW	RELOAD ⁽¹⁾	CHREQ ⁽³⁾
bit 15						bit 8	

R/W-0	R/W-0	R/W-0	R/W-0	R/W-0	R/W-0	R/W-0	R/W-0
SAMODE1	SAMODE0	DAMODE1	DAMODE0	TRMODE1	TRMODE0	SIZE	CHEN
bit 7						bit 0	

Legend:	r = Reserved bit		
R = Readable bit	W = Writable bit	U = Unimplemented bit, read as '0'	
-n = Value at POR	'1' = Bit is set	'0' = Bit is cleared	x = Bit is unknown

- bit 15-13 **Unimplemented:** Read as '0'
- bit 12 **Reserved:** Maintain as '0'
- bit 11 **Unimplemented:** Read as '0'
- bit 10 **NULLW:** Null Write Mode bit
 1 = A dummy write is initiated to DMASRCn for every write to DMADSTn
 0 = No dummy write is initiated
- bit 9 **RELOAD:** Address and Count Reload bit⁽¹⁾
 1 = DMASRCn, DMADSTn and DMACNTn registers are reloaded to their previous values upon the start of the next operation
 0 = DMASRCn, DMADSTn and DMACNTn are not reloaded on the start of the next operation⁽²⁾
- bit 8 **CHREQ:** DMA Channel Software Request bit⁽³⁾
 1 = A DMA request is initiated by software; automatically cleared upon completion of a DMA transfer
 0 = No DMA request is pending
- bit 7-6 **SAMODE[1:0]:** Source Address Mode Selection bits
 11 = DMASRCn is used in Peripheral Indirect Addressing and remains unchanged
 10 = DMASRCn is decremented based on the SIZE bit after a transfer completion
 01 = DMASRCn is incremented based on the SIZE bit after a transfer completion
 00 = DMASRCn remains unchanged after a transfer completion
- bit 5-4 **DAMODE[1:0]:** Destination Address Mode Selection bits
 11 = DMADSTn is used in Peripheral Indirect Addressing and remains unchanged
 10 = DMADSTn is decremented based on the SIZE bit after a transfer completion
 01 = DMADSTn is incremented based on the SIZE bit after a transfer completion
 00 = DMADSTn remains unchanged after a transfer completion
- bit 3-2 **TRMODE[1:0]:** Transfer Mode Selection bits
 11 = Repeated Continuous mode
 10 = Continuous mode
 01 = Repeated One-Shot mode
 00 = One-Shot mode
- bit 1 **SIZE:** Data Size Selection bit
 1 = Byte (8-bit)
 0 = Word (16-bit)
- bit 0 **CHEN:** DMA Channel Enable bit
 1 = The corresponding channel is enabled
 0 = The corresponding channel is disabled

- Note 1:** Only the original DMACNTn is required to be stored to recover the original DMASRCn and DMADSTn values.
Note 2: DMACNTn will always be reloaded in Repeated mode transfers, regardless of the state of the RELOAD bit.
Note 3: The number of transfers executed while CHREQ is set depends on the configuration of TRMODE[1:0].

PIC24FJ256GA412/GB412 FAMILY

REGISTER 5-3: DMAINTn: DMA CHANNEL n INTERRUPT REGISTER

R-0	R/W-0	R/W-0	R/W-0	R/W-0	R/W-0	R/W-0	R/W-0
DBUFWF ⁽¹⁾	CHSEL6	CHSEL5	CHSEL4	CHSEL3	CHSEL2	CHSEL1	CHSEL0
bit 15							bit 8

R/W-0	R/W-0	R/W-0	R/W-0	R/W-0	U-0	U-0	R/W-0
HIGHIF ^(1,2)	LOWIF ^(1,2)	DONEIF ⁽¹⁾	HALFIF ⁽¹⁾	OVRUNIF ⁽¹⁾	—	—	HALFEN
bit 7							bit 0

Legend:

R = Readable bit	W = Writable bit	U = Unimplemented bit, read as '0'
-n = Value at POR	'1' = Bit is set	'0' = Bit is cleared
		x = Bit is unknown

- bit 15 **DBUFWF:** DMA Buffered Data Write Flag bit⁽¹⁾
 1 = The content of the DMA buffer has not been written to the location specified in DMADSTn or DMASRCn in Null Write mode
 0 = The content of the DMA buffer has been written to the location specified in DMADSTn or DMASRCn in Null Write mode
- bit 14-8 **CHSEL[6:0]:** DMA Channel Trigger Selection bits
 See [Table 5-1](#) for a complete list.
- bit 7 **HIGHIF:** DMA High Address Limit Interrupt Flag bit^(1,2)
 1 = The DMA channel has attempted to access an address higher than DMAH or the upper limit of the data RAM space
 0 = The DMA channel has not invoked the high address limit interrupt
- bit 6 **LOWIF:** DMA Low Address Limit Interrupt Flag bit^(1,2)
 1 = The DMA channel has attempted to access the DMA SFR address lower than DMAL, but above the SFR range (07FFh)
 0 = The DMA channel has not invoked the low address limit interrupt
- bit 5 **DONEIF:** DMA Complete Operation Interrupt Flag bit⁽¹⁾
If CHEN = 1:
 1 = The previous DMA session has ended with completion
 0 = The current DMA session has not yet completed
If CHEN = 0:
 1 = The previous DMA session has ended with completion
 0 = The previous DMA session has ended without completion
- bit 4 **HALFIF:** DMA 50% Watermark Level Interrupt Flag bit⁽¹⁾
 1 = DMACNTn has reached the halfway point to 0000h
 0 = DMACNTn has not reached the halfway point
- bit 3 **OVRUNIF:** DMA Channel Overrun Flag bit⁽¹⁾
 1 = The DMA channel is triggered while it is still completing the operation based on the previous trigger
 0 = The overrun condition has not occurred
- bit 2-1 **Unimplemented:** Read as '0'
- bit 0 **HALFEN:** Halfway Completion Watermark bit
 1 = Interrupts are invoked when DMACNTn has reached its halfway point and at completion
 0 = An interrupt is invoked only at the completion of the transfer

- Note 1:** Setting these flags in software does not generate an interrupt.
Note 2: Testing for address limit violations (DMASRCn or DMADSTn is either greater than DMAH or less than DMAL) is NOT done before the actual access.

PIC24FJ256GA412/GB412 FAMILY

TABLE 5-1: DMA CHANNEL TRIGGER SOURCES

CHSEL[6:0]	Trigger (Interrupt)	CHSEL[6:0]	Trigger (Interrupt)	CHSEL[6:0]	Trigger (Interrupt)
00h	(Unimplemented)	26h	SPI1 Receive Event	4Ch	DMA Channel 4
01h	SCCP7 IC/OC Event	27h	SPI1 Transmit Event	4Dh	DMA Channel 3
02h	SCCP7 Timer	28h	SPI1 General Event	4Eh	DMA Channel 2
03h	SCCP6 IC/OC Event	29h	(Reserved, do not use)	4Fh	DMA Channel 1
04h	SCCP6 Timer	2Ah	(Reserved, do not use)	50h	DMA Channel 0
05h	SCCP5 IC/OC Event	2Bh	(Reserved, do not use)	51h	A/D Converter
06h	SCCP5 Timer	2Ch	I2C3 Slave Event	52h	USB
07h	SCCP4 IC/OC Event	2Dh	I2C3 Master Event	53h	EPMP
08h	SCCP4 Timer	2Eh	I2C3 Collision Event	54h	HLVD
09h	(Reserved, do not use)	2Fh	I2C2 Slave Event	55h	CRC Done
0Ah	(Reserved, do not use)	30h	I2C2 Master Event	56h	LCD
0Bh	SCCP3 IC/OC Event	31h	I2C2 Collision Event	57h	Crypto Done
0Ch	SCCP3 Timer	32h	I2C1 Slave Event	58h	Crypto OTP Done
0Dh	SCCP2 IC/OC Event	33h	I2C1 Master Event	59h	CLC4 Output
0Eh	SCCP2 Timer	34h	I2C1 Collision Event	5Ah	CLC3 Output
0Fh	MCCP1 IC/OC Event	35h	UART6 Transmit	5Bh	CLC2 Output
10h	MCCP1 Timer	36h	UART6 Receive	5Ch	CLC1 Output
11h	Output Compare 6	37h	UART6 Error	5Dh	(Reserved, do not use)
12h	Output Compare 5	38h	UART5 Transmit	5Eh	RTCC
13h	Output Compare 4	39h	UART5 Receive	5Fh	Timer5
14h	Output Compare 3	3Ah	UART5 Error	60h	Timer4
15h	Output Compare 2	3Bh	UART4 Transmit	61h	Timer3
16h	Output Compare 1	3Ch	UART4 Receive	62h	Timer2
17h	Input Capture 6	3Dh	UART4 Error	63h	Timer1
18h	Input Capture 5	3Eh	UART3 Transmit	64h	(Reserved, do not use)
19h	Input Capture 4	3Fh	UART3 Receive	65h	DAC
1Ah	Input Capture 3	40h	UART3 Error	66h	CTMU
1Bh	Input Capture 2	41h	UART2 Transmit	67h	Comparators Event
1Ch	Input Capture 1	42h	UART2 Receive	68h	External Interrupt 4
1Dh	SPI4 Receive Event	43h	UART2 Error	69h	External Interrupt 3
1Eh	SPI4 Transmit Event	44h	UART1 Transmit	6Ah	External Interrupt 2
1Fh	SPI4 General Event	45h	UART1 Receive	6Bh	External Interrupt 1
20h	SPI3 Receive Event	46h	UART1 Error	6Ch	External Interrupt 0
21h	SPI3 Transmit Event	47h	(Reserved, do not use)	6Dh	Interrupt-on-Change
22h	SPI3 General Event	48h	(Reserved, do not use)	6Eh • • • 7Fh	(Unimplemented)
23h	SPI2 Receive Event	49h	(Reserved, do not use)		
24h	SPI2 Transmit Event	4Ah	(Reserved, do not use)		
25h	SPI2 General Event	4Bh	DMA Channel 5		

PIC24FJ256GA412/GB412 FAMILY

6.0 FLASH PROGRAM MEMORY

Note: This data sheet summarizes the features of this group of PIC24F devices. It is not intended to be a comprehensive reference source. For more information, refer to the “*dsPIC33/PIC24F Family Reference Manual*”, “**Dual Partition Flash Program Memory**” (www.microchip.com/DS70005156). The information in this data sheet supersedes the information in the FRM.

The PIC24FJ256GA412/GB412 family of devices contains internal Flash program memory for storing and executing application code. The program memory is readable, writable and erasable. The Flash memory can be programmed in three ways:

- In-Circuit Serial Programming™ (ICSP™)
- Run-Time Self-Programming (RTSP)
- Enhanced In-Circuit Serial Programming (Enhanced ICSP)

ICSP allows a PIC24FJ256GA412/GB412 family device to be serially programmed while in the end application circuit. This is simply done with two lines for the programming clock and programming data (named PGECx and PGEDx, respectively), and three other lines for power (VDD), ground (VSS) and Master Clear (MCLR). This allows customers to manufacture boards with unprogrammed devices and then program the microcontroller just before shipping the product. This also allows the most recent firmware or a custom firmware to be programmed.

RTSP is accomplished using TBLRD (Table Read) and TBLWT (Table Write) instructions. With RTSP, the user may write program memory data in blocks of 64 instructions (192 bytes) at a time and erase program memory in blocks of 512 instructions (1536 bytes) at a time.

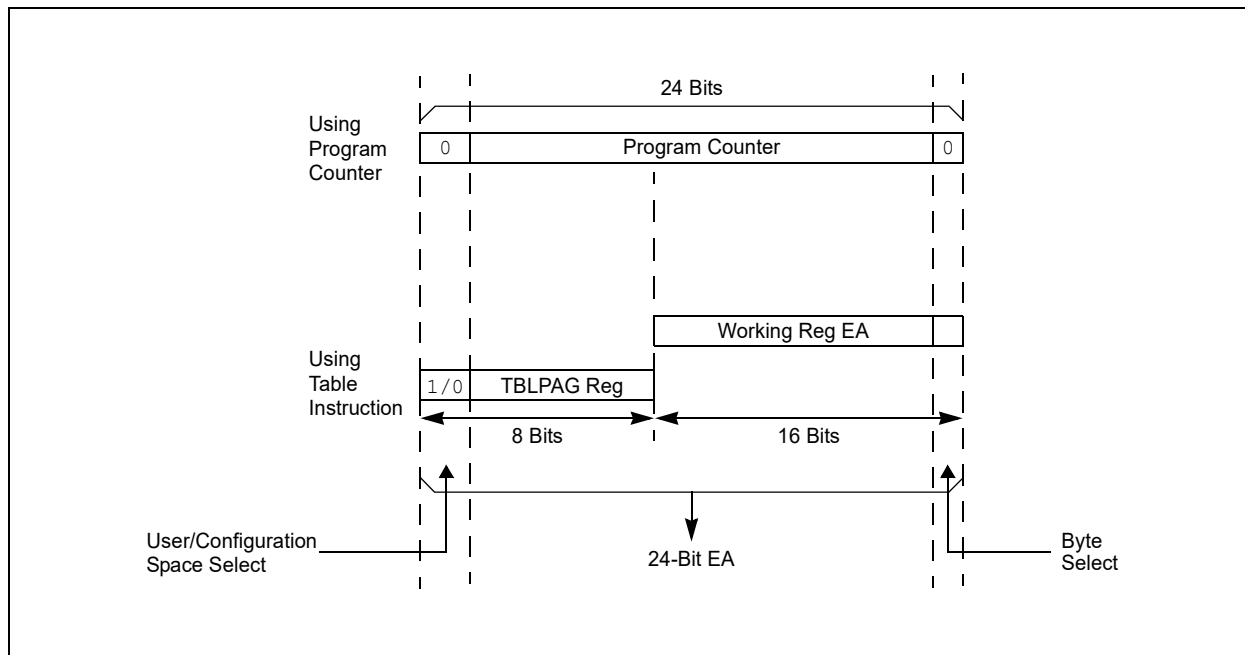
6.1 Table Instructions and Flash Programming

Regardless of the method used, all programming of Flash memory is done with the Table Read and Table Write instructions. These allow direct read and write access to the program memory space from the data memory while the device is in normal operating mode. The 24-bit target address in the program memory is formed using the TBLPAG[7:0] bits and the Effective Address (EA) from a W register, specified in the table instruction, as shown in Figure 6-1.

The TBLRDL and the TBLWTL instructions are used to read or write to bits[15:0] of program memory. TBLRDL and TBLWTL can access program memory in both Word and Byte modes.

The TBLRDH and TBLWTH instructions are used to read or write to bits[23:16] of program memory. TBLRDH and TBLWTH can also access program memory in Word or Byte mode.

FIGURE 6-1: ADDRESSING FOR TABLE REGISTERS



PIC24FJ256GA412/GB412 FAMILY

6.2 RTSP Operation

The PIC24F Flash program memory array is organized into rows of 64 instructions or 192 bytes. RTSP allows the user to erase blocks of eight rows (512 instructions) at a time and to program one row at a time. It is also possible to program two words.

The 8-row erase blocks and single row write blocks are edge-aligned, from the beginning of program memory on boundaries of 1536 bytes and 192 bytes, respectively.

When data are written to program memory using `TBLWT` instructions, the data are not written directly to memory. Instead, data written using Table Writes are stored in holding latches until the programming sequence is executed.

Any number of `TBLWT` instructions can be executed and a write will be successfully performed. However, 64 `TBLWT` instructions are required to write the full row of memory.

To ensure that no data are corrupted during a write, any unused address should be programmed with `FFFFFFh`. This is because the holding latches reset to an unknown state, so if the addresses are left in the Reset state, they may overwrite the locations on rows which were not rewritten.

The basic sequence for RTSP programming is:

- Set up a Table Pointer to point to the programming latches
- Perform a series of `TBLWT` instructions to load the buffers
- Set the NVM Address registers to point to the destination

Programming is performed by setting the control bits in the `NVMCON` register.

Data can be loaded in any order and the holding registers can be written to multiple times before performing a write operation. Subsequent writes, however, will wipe out any previous writes.

Note: Writing to a location multiple times without erasing is *not* recommended.

All of the Table Write operations are single-word writes (two instruction cycles), because only the buffers are written. A programming cycle is required for programming each row.

6.3 JTAG Operation

The PIC24F family supports JTAG boundary scan. Boundary scan can improve the manufacturing process by verifying pin to PCB connectivity.

6.4 Enhanced In-Circuit Serial Programming

Enhanced In-Circuit Serial Programming uses an on-board bootloader, known as the Program Executive (PE), to manage the programming process. Using an SPI data frame format, the Program Executive can erase, program and verify program memory. For more information on Enhanced ICSP, see the device programming specification.

6.5 Programming Operations

A complete programming sequence is necessary for programming or erasing the internal Flash in RTSP mode. During a programming or erase operation, the processor stalls (waits) until the operation is finished. Setting the `WR` bit (`NVMCON[15]`) starts the operation and the `WR` bit is automatically cleared when the operation is finished. In Dual Partition modes, programming or erasing the Inactive Partition does not stall the processor; the code in the Active Partition continues to execute during the programming operation.

For more information on programming the device, please refer to the *“dsPIC33/PIC24 Family Reference Manual”*, **“Dual Partition Flash Program Memory”** (www.microchip.com/DS70005156).

6.6 Control Registers

There are four SFRs used to read and write the program Flash memory:

- `NVMCON`
- `NVMKEY`
- `NVMADRL`
- `NVMADRH`

The `NVMCON` register ([Register 6-1](#)) controls which blocks are to be erased, which memory type is to be programmed and when the programming cycle starts.

`NVMKEY` is a write-only register that is used for write protection. To start a programming or erase sequence, the user must consecutively write `55h` and `AAh` to the `NVMKEY` register. For more information, refer to [Section 6.5 “Programming Operations”](#).

The `NVMADRL` and `NVMADRH` registers contain the lower word and upper byte of the destination address of the NVM write or erase operation. Some operations (e.g., chip erase, Inactive Partition erase) operate on fixed locations and do not require an address value.

PIC24FJ256GA412/GB412 FAMILY

REGISTER 6-1: NVMCON: FLASH MEMORY CONTROL REGISTER

HC/R/S-0 ⁽¹⁾	R/W-0 ⁽¹⁾	HSC/R-0 ⁽¹⁾	R/W-0	HSC/R/C-0 ⁽²⁾	R-0	U-0	U-0
WR	WREN	WRERR	NVMSIDL	SFTSWP	P2ACTIV	—	—
bit 15						bit 8	

U-0	U-0	U-0	U-0	R/W-0 ⁽¹⁾	R/W-0 ⁽¹⁾	R/W-0 ⁽¹⁾	R/W-0 ⁽¹⁾
—	—	—	—	NVMOP[3:0] ⁽³⁾			
bit 7						bit 0	

Legend:	S = Settable bit	U = Unimplemented, read as '0'
R = Readable bit	W = Writable bit	HSC = Hardware Settable/Clearable bit
-n = Value at POR	'1' = Bit is set	'0' = Bit is cleared
C = Clearable bit	HC = Hardware Clearable bit	x = Bit is unknown

- bit 15 **WR:** Write Control bit⁽¹⁾
 1 = Initiates a Flash memory program or erase operation; the operation is self-timed and the bit is cleared by hardware once the operation is complete
 0 = Program or erase operation is complete and inactive
- bit 14 **WREN:** Write Enable bit⁽¹⁾
 1 = Enables Flash program/erase operations
 0 = Inhibits Flash program/erase operations
- bit 13 **WRERR:** Write Sequence Error Flag bit⁽¹⁾
 1 = An improper program or erase sequence attempt, or termination has occurred (bit is set automatically on any set attempt of the WR bit)
 0 = The program or erase operation completed normally
- bit 12 **NVMSIDL:** NVM Power-Down in Idle Enable bit
 1 = Removes power from program memory when device enters Idle mode
 0 = Keeps program memory powered in Standby mode when device enters Idle mode
- bit 11 **SFTSWP:** Soft Swap Status bit⁽²⁾
In Dual Partition Flash Modes (BTMOD[1:0] = 10 or 0x):
 1 = Partitions have been successfully swapped using the BOOTSWP instruction
 0 = Awaiting successful partition swap using the BOOTSWP instruction
In Single Partition Flash Mode (BTMOD[1:0] = 11):
 Unimplemented, read as '0'.
- bit 10 **P2ACTIV:** Dual Active Partition Status bit
In Dual Partition Flash Modes (BTMOD[1:0] = 10 or 0x):
 1 = Partition 2 Flash is the Active Partition
 0 = Partition 1 Flash is the Active Partition
In Single Partition Flash Mode (BTMOD[1:0] = 11):
 Unimplemented, read as '0'.
- bit 9-4 **Unimplemented:** Read as '0'

- Note 1:** These bits can only be reset on a Power-on Reset.
2: Clearable in software, as well as on device Resets.
3: All other combinations of NVMOP[3:0] are unimplemented in this device family.
4: Available only in Dual Partition modes (BTMOD[1:0] = 10 or 0x).

PIC24FJ256GA412/GB412 FAMILY

REGISTER 6-1: NVMCON: FLASH MEMORY CONTROL REGISTER (CONTINUED)

bit 3-0 **NVMOP[3:0]:** NVM Operation Select bits^(1,3)

- 1110 = Chip erase operation, ERASE = 1 (does not erase Device ID, OTP or Program Executive)
- 0100 = Erase Inactive Partition, ERASE = 1 (user memory and Configuration Words)⁽⁴⁾
- 0011 = Memory page erase operation, ERASE = 1 (program or executive memory)
- 0010 = Memory row program operation, ERASE = 0
- 0001 = Memory double-word program operation, ERASE = 0

- Note 1:** These bits can only be reset on a Power-on Reset.
- 2:** Clearable in software, as well as on device Resets.
- 3:** All other combinations of NVMOP[3:0] are unimplemented in this device family.
- 4:** Available only in Dual Partition modes (BTMOD[1:0] = 10 or 0x).

PIC24FJ256GA412/GB412 FAMILY

7.0 RESETS

Note: This data sheet summarizes the features of this group of PIC24F devices. It is not intended to be a comprehensive reference source. For more information, refer to the “dsPIC33/PIC24 Family Reference Manual”, “Reset” (www.microchip.com/DS39712). The information in this data sheet supersedes the information in the FRM.

The Reset module combines all Reset sources and controls the device Master Reset Signal, $\overline{\text{SYSRST}}$. The following is a list of device Reset sources:

- POR: Power-on Reset
- MCLR: Master Clear Pin Reset
- SWR: RESET Instruction
- WDT: Watchdog Timer Reset
- BOR: Brown-out Reset
- CM: Configuration Mismatch Reset
- TRAPR: Trap Conflict Reset
- IOPUWR: Illegal Opcode Reset
- UWR: Uninitialized W Register Reset

A simplified block diagram of the Reset module is shown in [Figure 7-1](#).

Any active source of Reset will make the $\overline{\text{SYSRST}}$ signal active. Many registers associated with the CPU and peripherals are forced to a known Reset state. Most registers are unaffected by a Reset; their status is unknown on POR and unchanged by all other Resets.

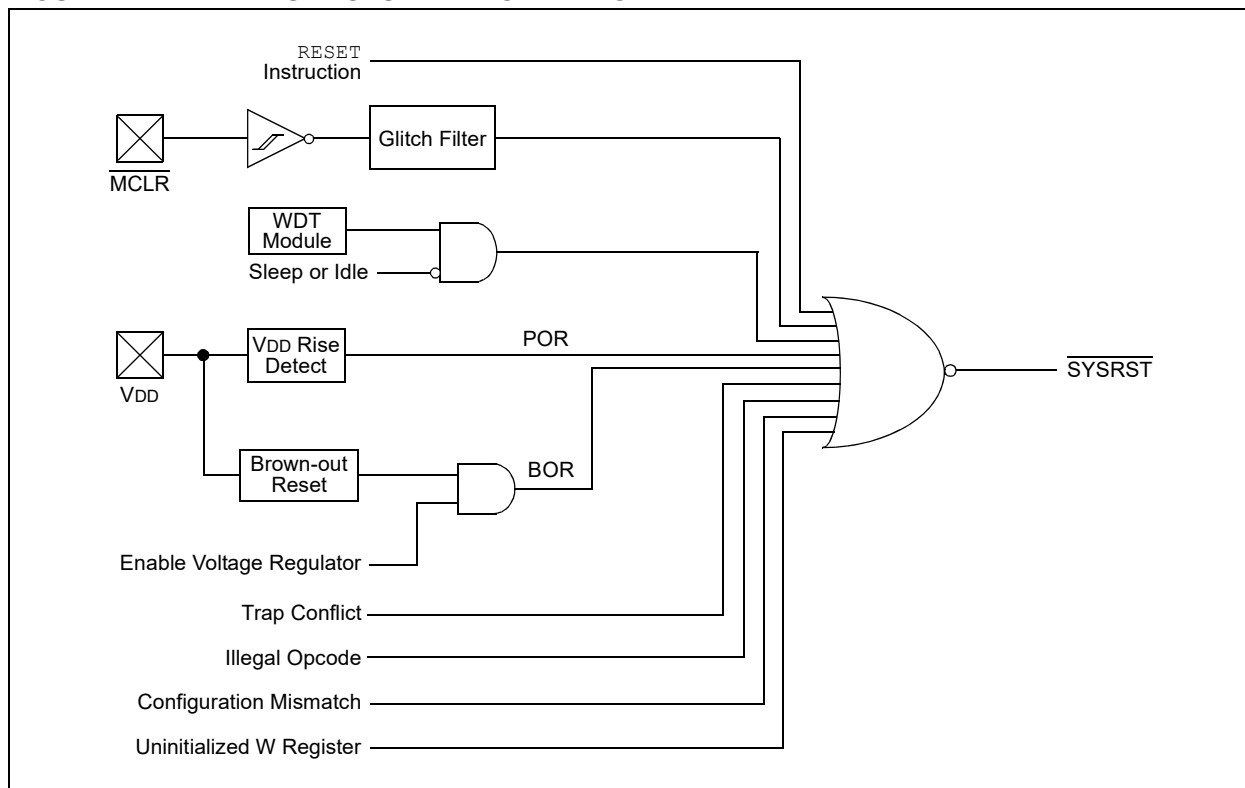
Note: Refer to the specific peripheral or CPU section of this data sheet for register Reset states.

All types of device Reset will set a corresponding status bit in the RCON register to indicate the type of Reset (see [Register 7-1](#)). In addition, Reset events occurring while an extreme power-saving feature is in use (such as VBAT) will set one or more status bits in the RCON2 register ([Register 7-2](#)). A POR will clear all bits, except for the BOR and POR (RCON[1:0]) bits, which are set. The user may set or clear any bit at any time during code execution. The RCON bits only serve as status bits. Setting a particular Reset status bit in software will not cause a device Reset to occur.

The RCON register also has other bits associated with the Watchdog Timer and device power-saving states. The function of these bits is discussed in other sections of this data sheet.

Note: The status bits in the RCON registers should be cleared after they are read so that the next RCON register values after a device Reset will be meaningful.

FIGURE 7-1: RESET SYSTEM BLOCK DIAGRAM



PIC24FJ256GA412/GB412 FAMILY

REGISTER 7-1: RCON: RESET CONTROL REGISTER

R/W-0	R/W-0	U-0	R/W-0	U-0	R/W-0	R/W-0	R/W-0
TRAPR ⁽¹⁾	IOPUWR ⁽¹⁾	—	RETEN ⁽²⁾	—	DPSLP ⁽¹⁾	CM ⁽¹⁾	PMSLP ⁽³⁾
bit 15							bit 8

R/W-0	R/W-0	R/W-0	R/W-0	R/W-0	R/W-0	R/W-1	R/W-1
EXTR ⁽¹⁾	SWR ⁽¹⁾	SWDTEN ⁽⁴⁾	WDTO ⁽¹⁾	SLEEP ⁽¹⁾	IDLE ⁽¹⁾	BOR ⁽¹⁾	POR ⁽¹⁾
bit 7							bit 0

Legend:

R = Readable bit

W = Writable bit

U = Unimplemented bit, read as '0'

-n = Value at POR

'1' = Bit is set

'0' = Bit is cleared

x = Bit is unknown

- bit 15 **TRAPR:** Trap Reset Flag bit⁽¹⁾
 1 = A Trap Conflict Reset has occurred
 0 = A Trap Conflict Reset has not occurred
- bit 14 **IOPUWR:** Illegal Opcode or Uninitialized W Access Reset Flag bit⁽¹⁾
 1 = An illegal opcode detection, an illegal address mode or Uninitialized W register is used as an Address Pointer and caused a Reset
 0 = An illegal opcode or Uninitialized W Register Reset has not occurred
- bit 13 **Unimplemented:** Read as '0'
- bit 12 **RETEN:** Retention Mode Enable bit⁽²⁾
 1 = Retention mode is enabled while device is in Sleep modes (1.2V regulator supplies to the core)
 0 = Retention mode is disabled; normal voltage levels are present
- bit 11 **Unimplemented:** Read as '0'
- bit 10 **DPSP:** Deep Sleep Flag bit⁽¹⁾
 1 = Device has been in Deep Sleep mode
 0 = Device has not been in Deep Sleep mode
- bit 9 **CM:** Configuration Word Mismatch Reset Flag bit⁽¹⁾
 1 = A Configuration Word Mismatch Reset has occurred
 0 = A Configuration Word Mismatch Reset has not occurred
- bit 8 **PMSLP:** Program Memory Power During Sleep bit⁽³⁾
 1 = Program memory bias voltage remains powered during Sleep
 0 = Program memory bias voltage is powered down during Sleep
- bit 7 **EXTR:** External Reset ($\overline{\text{MCLR}}$) Pin bit⁽¹⁾
 1 = A Master Clear (pin) Reset has occurred
 0 = A Master Clear (pin) Reset has not occurred
- bit 6 **SWR:** Software Reset (Instruction) Flag bit⁽¹⁾
 1 = A RESET instruction has been executed
 0 = A RESET instruction has not been executed

Note 1: All of the Reset status bits may be set or cleared in software. Setting one of these bits in software does not cause a device Reset.

2: If the $\overline{\text{LPCFG}}$ Configuration bit is '1' (unprogrammed), the retention regulator is disabled and the RETEN bit has no effect.

3: Re-enabling the regulator after it enters Standby mode will add a delay, T_{VREG} , when waking up from Sleep. Applications that do not use the voltage regulator should set this bit to prevent this delay from occurring.

4: If the FWDTEN Configuration bit is '1' (unprogrammed), the WDT is always enabled, regardless of the SWDTEN bit setting.

PIC24FJ256GA412/GB412 FAMILY

REGISTER 7-1: RCON: RESET CONTROL REGISTER (CONTINUED)

bit 5	SWDTEN: Software Enable/Disable of WDT bit ⁽⁴⁾ 1 = WDT is enabled 0 = WDT is disabled
bit 4	WDTO: Watchdog Timer Time-out Flag bit ⁽¹⁾ 1 = WDT time-out has occurred 0 = WDT time-out has not occurred
bit 3	SLEEP: Wake from Sleep Flag bit ⁽¹⁾ 1 = Device has been in Sleep mode 0 = Device has not been in Sleep mode
bit 2	IDLE: Wake-up from Idle Flag bit ⁽¹⁾ 1 = Device has been in Idle mode 0 = Device has not been in Idle mode
bit 1	BOR: Brown-out Reset Flag bit ⁽¹⁾ 1 = A Brown-out Reset has occurred (also set after a Power-on Reset). 0 = A Brown-out Reset has not occurred
bit 0	POR: Power-on Reset Flag bit ⁽¹⁾ 1 = A Power-on Reset has occurred 0 = A Power-on Reset has not occurred

- Note 1:** All of the Reset status bits may be set or cleared in software. Setting one of these bits in software does not cause a device Reset.
- 2:** If the LPCFG Configuration bit is '1' (unprogrammed), the retention regulator is disabled and the RETEN bit has no effect.
- 3:** Re-enabling the regulator after it enters Standby mode will add a delay, TVREG, when waking up from Sleep. Applications that do not use the voltage regulator should set this bit to prevent this delay from occurring.
- 4:** If the FWDTEN Configuration bit is '1' (unprogrammed), the WDT is always enabled, regardless of the SWDTEN bit setting.

PIC24FJ256GA412/GB412 FAMILY

REGISTER 7-2: RCON2: RESET AND SYSTEM CONTROL REGISTER 2

U-0	U-0	U-0	U-0	U-0	U-0	U-0	U-0
—	—	—	—	—	—	—	—
bit 15							bit 8

U-0	U-0	U-0	r-0	R/CO-1	R/CO-1	R/CO-1	R/CO-0
—	—	—	—	VDDBOR ⁽¹⁾	VDDPOR ^(1,2)	VBPOR ^(1,3)	VBAT ⁽¹⁾
bit 7							bit 0

Legend:	CO = Clearable Only bit	r = Reserved bit
R = Readable bit	W = Writable bit	U = Unimplemented bit, read as '0'
-n = Value at POR	'1' = Bit is set	'0' = Bit is cleared
		x = Bit is unknown

- bit 15-5 **Unimplemented:** Read as '0'
- bit 4 **Reserved:** Maintain as '0'
- bit 3 **VDDBOR:** VDD Brown-out Reset Flag bit⁽¹⁾
 1 = A VDD Brown-out Reset has occurred (set by hardware)
 0 = A VDD Brown-out Reset has not occurred
- bit 2 **VDDPOR:** VDD Power-on Reset Flag bit^(1,2)
 1 = A VDD Power-on Reset has occurred (set by hardware)
 0 = A VDD Power-on Reset has not occurred
- bit 1 **VBPOR:** VBPOr Flag bit^(1,3)
 1 = A VBAT POR has occurred (no battery connected to VBAT pin or VBAT power below Deep Sleep Semaphore register retention level is set by hardware)
 0 = A VBAT POR has not occurred
- bit 0 **VBAT:** VBAT Flag bit⁽¹⁾
 1 = A POR exit has occurred while power was applied to VBAT pin (set by hardware)
 0 = A POR exit from VBAT has not occurred

- Note 1:** This bit is set in hardware only; it can only be cleared in software.
- Note 2:** This bit indicates a VDD Power-on Reset. Setting the POR bit (RCON[0]) indicates a V_{CORE} Power-on Reset.
- Note 3:** This bit is set when the device is originally powered up, even if power is present on VBAT.

TABLE 7-1: RESET FLAG BIT OPERATION

Flag Bit	Setting Event	Clearing Event
TRAPR (RCON[15])	Trap Conflict Event	POR
IOPUWR (RCON[14])	Illegal Opcode or Uninitialized W Register Access	POR
CM (RCON[9])	Configuration Mismatch Reset	POR
EXTR (RCON[7])	MCLR Reset	POR
SWR (RCON[6])	RESET Instruction	POR
WDTO (RCON[4])	WDT Time-out	CLRWDT, PWRS _{AV} Instruction, POR
SLEEP (RCON[3])	PWRS _{AV} #0 Instruction	POR
DPSLP (RCON[10])	PWRS _{AV} #0 Instruction while DSEN bit is set	POR
IDLE (RCON[2])	PWRS _{AV} #1 Instruction	POR
BOR (RCON[1])	POR, BOR	—
POR (RCON[0])	POR	—

Note: All Reset flag bits may be set or cleared by the user software.

PIC24FJ256GA412/GB412 FAMILY

7.1 Special Function Register Reset States

Most of the Special Function Registers (SFRs) associated with the PIC24F CPU and peripherals are reset to a particular value at a device Reset. The SFRs are grouped by their peripheral or CPU function and their Reset values are specified in each section of this manual.

The Reset value for each SFR does not depend on the type of Reset, with the exception of four registers. The Reset value for the Reset Control register, RCON, will depend on the type of device Reset. The Reset value for the Oscillator Control register, OSCCON, will depend on the type of Reset and the programmed values of the FNOSC[2:0] bits in the Oscillator Select Configuration Word (FOSCSEL) (see [Table 7-2](#)). The NVMCON register is only affected by a POR.

7.2 Device Reset Times

The Reset times for various types of device Reset are summarized in [Table 7-3](#). Note that the Master Reset Signal, $\overline{\text{SYSRST}}$, is released after the POR delay time expires.

The time at which the device actually begins to execute code will also depend on the system oscillator delays, which include the Oscillator Start-up Timer (OST) and the PLL lock time. The OST and PLL lock times occur in parallel with the applicable $\overline{\text{SYSRST}}$ delay times.

The Fail-Safe Clock Monitor (FSCM) delay determines the time at which the FSCM begins to monitor the system clock source after the $\overline{\text{SYSRST}}$ signal is released.

7.3 Brown-out Reset (BOR)

PIC24FJ256GA412/GB412 family devices implement a BOR circuit that provides the user with several configuration and power-saving options. The BOR is controlled by the BOREN (FPOR[0]) Configuration bit. When BOR is enabled, any drop of V_{DD} below the BOR trip point results in a device BOR. The BOR trip point, V_{BOR} , is characterized (Parameter [DC17B](#)) in [Section 36.1 “DC Characteristics”](#).

7.4 Clock Source Selection at Reset

If clock switching is enabled, the system clock source at device Reset is chosen, as shown in [Table 7-2](#). If clock switching is disabled, the system clock source is always selected according to the Oscillator Configuration bits. For more information, refer to the “*dsPIC33/PIC24 Family Reference Manual*”, “Oscillator” (www.microchip.com/DS39700).

TABLE 7-2: OSCILLATOR SELECTION vs. TYPE OF RESET (CLOCK SWITCHING ENABLED)

Reset Type	Clock Source Determinant
POR	FNOSC[2:0] Configuration bits (FOSCSEL[2:0])
BOR	
MCLR	COSC[2:0] Control bits (OSCCON[14:12])
WDTO	
SWR	

PIC24FJ256GA412/GB412 FAMILY

TABLE 7-3: RESET DELAY TIMES FOR VARIOUS DEVICE RESETS

Reset Type	Clock Source	$\overline{\text{SYSRST}}$ Delay	System Clock Delay	Notes
POR	EC	$\text{TPOR} + \text{TSTARTUP} + \text{TRST}$	—	1, 2, 3
	ECPLL	$\text{TPOR} + \text{TSTARTUP} + \text{TRST}$	TLOCK	1, 2, 3, 5
	XT, HS, SOSC	$\text{TPOR} + \text{TSTARTUP} + \text{TRST}$	TOST	1, 2, 3, 4
	XTPLL, HSPLL	$\text{TPOR} + \text{TSTARTUP} + \text{TRST}$	$\text{TOST} + \text{TLOCK}$	1, 2, 3, 4, 5
	FRC, FRCDIV	$\text{TPOR} + \text{TSTARTUP} + \text{TRST}$	TFRC	1, 2, 3, 6, 7
	FRCPLL	$\text{TPOR} + \text{TSTARTUP} + \text{TRST}$	$\text{TFRC} + \text{TLOCK}$	1, 2, 3, 5, 6
	LPRC	$\text{TPOR} + \text{TSTARTUP} + \text{TRST}$	TLPRC	1, 2, 3, 6
BOR	EC	$\text{TSTARTUP} + \text{TRST}$	—	2, 3
	ECPLL	$\text{TSTARTUP} + \text{TRST}$	TLOCK	2, 3, 5
	XT, HS, SOSC	$\text{TSTARTUP} + \text{TRST}$	TOST	2, 3, 4
	XTPLL, HSPLL	$\text{TSTARTUP} + \text{TRST}$	$\text{TOST} + \text{TLOCK}$	2, 3, 4, 5
	FRC, FRCDIV	$\text{TSTARTUP} + \text{TRST}$	TFRC	2, 3, 6, 7
	FRCPLL	$\text{TSTARTUP} + \text{TRST}$	$\text{TFRC} + \text{TLOCK}$	2, 3, 5, 6
	LPRC	$\text{TSTARTUP} + \text{TRST}$	TLPRC	2, 3, 6
MCLR	Any Clock	TRST	—	3
WDT	Any Clock	TRST	—	3
Software	Any clock	TRST	—	3
Illegal Opcode	Any Clock	TRST	—	3
Uninitialized W	Any Clock	TRST	—	3
Trap Conflict	Any Clock	TRST	—	3

Note 1: TPOR = Power-on Reset Delay (10 μs nominal).

2: TSTARTUP = TVREG.

3: TRST = Internal State Reset Time (2 μs nominal).

4: TOST = Oscillator Start-up Timer (OST). A 10-bit counter counts 1024 oscillator periods before releasing the oscillator clock to the system.

5: TLOCK = PLL Lock Time.

6: TFRC and TLPRC = RC Oscillator Start-up Times.

7: If Two-Speed Start-up is enabled, regardless of the Primary Oscillator selected, the device starts with FRC so the system clock delay is just TFRC, and in such cases, FRC start-up time is valid; it switches to the Primary Oscillator after its respective clock delay.

7.4.1 POR AND LONG OSCILLATOR START-UP TIMES

The oscillator start-up circuitry and its associated delay timers are not linked to the device Reset delays that occur at power-up. Some crystal circuits (especially low-frequency crystals) will have a relatively long start-up time. Therefore, one or more of the following conditions is possible after $\overline{\text{SYSRST}}$ is released:

- The oscillator circuit has not begun to oscillate.
- The Oscillator Start-up Timer has not expired (if a crystal oscillator is used).
- The PLL has not achieved a lock (if PLL is used).

The device will not begin to execute code until a valid clock source has been released to the system. Therefore, the oscillator and PLL start-up delays must be considered when the Reset delay time must be known.

7.4.2 FAIL-SAFE CLOCK MONITOR (FSCM) AND DEVICE RESETS

If the FSCM is enabled, it will begin to monitor the system clock source when $\overline{\text{SYSRST}}$ is released. If a valid clock source is not available at this time, the device will automatically switch to the FRC Oscillator and the user can switch to the desired crystal oscillator in the Trap Service Routine (TSR).

PIC24FJ256GA412/GB412 FAMILY

8.0 INTERRUPT CONTROLLER

Note: This data sheet summarizes the features of this group of PIC24F devices. It is not intended to be a comprehensive reference source. For more information, refer to the “*dsPIC33/PIC24 Family Reference Manual*”, “**Interrupts**” (www.microchip.com/DS70000600). The information in this data sheet supersedes the information in the FRM.

The PIC24F interrupt controller reduces the numerous peripheral interrupt request signals to a single interrupt request signal to the PIC24F CPU. It has the following features:

- Up to Eight Processor Exceptions and Software Traps
- Seven User-Selectable Priority Levels
- Interrupt Vector Table (IVT) with up to 118 Vectors
- Unique Vector for Each Interrupt or Exception Source
- Fixed Priority within a Specified User Priority Level
- Alternate Interrupt Vector Table (AIVT) for Debug Support
- Fixed Interrupt Entry and Return Latencies

8.1 Interrupt Vector Table

The Interrupt Vector Table (IVT) is shown in [Figure 8-1](#). The IVT resides in program memory, starting at location, 000004h. The IVT contains 126 vectors, consisting of eight non-maskable trap vectors, plus up to 118 source interrupts. In general, each interrupt source has its own vector. Each interrupt vector contains a 24-bit wide address. The value programmed into each interrupt vector location is the starting address of the associated Interrupt Service Routine (ISR).

Interrupt vectors are prioritized in terms of their natural priority; this is linked to their position in the vector table. All other things being equal, lower addresses have a higher natural priority. For example, the interrupt associated with Vector 0 will take priority over interrupts at any other vector address.

PIC24FJ256GA412/GB412 family devices implement non-maskable traps and unique interrupts. These are summarized in [Table 8-1](#) and [Table 8-2](#).

8.1.1 ALTERNATE INTERRUPT VECTOR TABLE

The Alternate Interrupt Vector Table (AIVT) is located after the IVT, as shown in [Figure 8-1](#). The ALTIVT (INTCON2[8]) control bit provides access to the AIVT. If the ALTIVT bit is set, all interrupt and exception processes will use the alternate vectors instead of the default vectors. The alternate vectors are organized in the same manner as the default vectors.

The AIVT supports emulation and debugging efforts by providing a means to switch between an application, and a support environment, without requiring the interrupt vectors to be reprogrammed. This feature also enables switching between applications for evaluation of different software algorithms at run time. If the AIVT is not needed, the AIVT should be programmed with the same addresses used in the IVT.

8.2 Reset Sequence

A device Reset is not a true exception because the interrupt controller is not involved in the Reset process. The PIC24F devices clear their registers in response to a Reset, which forces the PC to zero. The microcontroller then begins program execution at location, 000000h. The user programs a GOTO instruction at the Reset address, which redirects program execution to the appropriate start-up routine.

Note: Any unimplemented or unused vector locations in the IVT and AIVT should be programmed with the address of a default interrupt handler routine that contains a RESET instruction.

PIC24FJ256GA412/GB412 FAMILY

FIGURE 8-1: PIC24F INTERRUPT VECTOR TABLES

Interrupt Vector Table (IVT) ⁽¹⁾		Alternate Interrupt Vector Table (AIVT) ^(1,2)		
↓ Decreasing Natural Order Priority	Reset – GOTO Instruction	000000h	Reserved	BOA+00h
	Reset – GOTO Address	000002h	Reserved	BOA+02h
	Oscillator Fail Trap Vector	000004h	Oscillator Fail Trap Vector	BOA+04h
	Address Error Trap Vector		Address Error Trap Vector	
	General Hard Trap Vector		General Hard Trap Vector	
	Stack Error Trap Vector		Stack Error Trap Vector	
	Math Error Trap Vector		Math Error Trap Vector	
	Reserved		Reserved	
	General Soft Trap Vector		General Soft Trap Vector	
	Reserved		Reserved	
	Interrupt Vector 0	000014h	Interrupt Vector 0	BOA+14h
	Interrupt Vector 1		Interrupt Vector 1	
	—		—	
	—		—	
	Interrupt Vector 52	00007Ch	Interrupt Vector 52	BOA+7Ch
	Interrupt Vector 53	00007Eh	Interrupt Vector 53	BOA+7Eh
	Interrupt Vector 54	000080h	Interrupt Vector 54	BOA+80h
	—		—	
	—		—	
	Interrupt Vector 116	0000FCh	Interrupt Vector 116	
Interrupt Vector 117	0000FEh	Interrupt Vector 117	BOA+FEh	
		(Start of Code)	(BOA+100h)	

Legend: BOA: Base Offset Address for AIVT, which is the starting address of the last page of the Boot Segment. All addresses are in hexadecimal.

Note 1: See Table 8-2 for the interrupt vector list.

Note 2: AIVT is only available when a Boot Segment is implemented.

TABLE 8-1: TRAP VECTOR DETAILS

Trap Description	MPLAB® XC16 Trap ISR Name	Vector #	IVT or AIVT Address Offset	Trap Bit Location			
				Generic Flag	Source Flag	Enable	Priority
Oscillator Failure	_OscillatorFail	0	000004h	INTCON1[1]	—	—	15
Address Error	_AddressError	1	000006h	INTCON1[3]	—	—	14
General Hardware Error	_GeneralHardError	2	000008h	—	—	—	13
Stack Error	_StackError	3	00000Ah	—	—	—	12
Math Error	_MathError	4	00000Ch	—	—	—	11
Reserved	_ReservedTrap5	5	00000Eh	—	—	—	—
General Software Error	_GeneralSoftError	6	000010h	—	—	—	—
Reserved	_ReservedTrap7	7	000012h	—	—	—	—

PIC24FJ256GA412/GB412 FAMILY

TABLE 8-2: IMPLEMENTED INTERRUPT VECTORS

Interrupt Source	MPLAB® XC16 Trap ISR Name	Vector #	IRQ #	IVT or AIVT Address Offset	Interrupt Bit Locations		
					Flag	Enable	Priority
External Interrupt 0	_INT0Interrupt	8	0	000014h	IFS0[0]	IEC0[0]	IPC0[2:0]
Input Capture 1	_IC1Interrupt	9	1	000016h	IFS0[1]	IEC0[1]	IPC0[6:4]
Output Compare 1	_OC1Interrupt	10	2	000018h	IFS0[2]	IEC0[2]	IPC0[10:8]
Timer1	_T1Interrupt	11	3	00001Ah	IFS0[3]	IEC0[3]	IPC0[14:12]
DMA Channel 0	_DMA0Interrupt	12	4	00001Ch	IFS0[4]	IEC0[4]	IPC1[2:0]
Input Capture 2	_IC2Interrupt	13	5	00001Eh	IFS0[5]	IEC0[5]	IPC1[6:4]
Output Compare 2	_OC2Interrupt	14	6	000020h	IFS0[6]	IEC0[6]	IPC1[10:8]
Timer2	_T2Interrupt	15	7	000022h	IFS0[7]	IEC0[7]	IPC1[14:12]
Timer3	_T3Interrupt	16	8	000024h	IFS0[8]	IEC0[8]	IPC2[2:0]
SPI1 General	_SPI1Interrupt	17	9	000026h	IFS0[9]	IEC0[9]	IPC2[6:4]
SPI1 Transmit	_SPI1TXInterrupt	18	10	000028h	IFS0[10]	IEC0[10]	IPC2[10:8]
UART1 Receiver	_U1RXInterrupt	19	11	00002Ah	IFS0[11]	IEC0[11]	IPC2[14:12]
UART1 Transmitter	_U1TXInterrupt	20	12	00002Ch	IFS0[12]	IEC0[12]	IPC3[2:0]
ADC1 Interrupt	_ADC1Interrupt	21	13	00002Eh	IFS0[13]	IEC0[13]	IPC3[6:4]
DMA Channel 1	_DMA1Interrupt	22	14	000030h	IFS0[14]	IEC0[14]	IPC3[10:8]
Flash Write/Program Done	_NVMInterrupt	23	15	000032h	IFS0[15]	IEC0[15]	IPC3[14:12]
I2C1 Slave Event	_SI2C1Interrupt	24	16	000034h	IFS1[0]	IEC1[0]	IPC4[2:0]
I2C1 Master Event	_MI2C1Interrupt	25	17	000036h	IFS1[1]	IEC1[1]	IPC4[6:4]
Comparator Event	_CompInterrupt	26	18	000038h	IFS1[2]	IEC1[2]	IPC4[10:8]
Interrupt-on-Change (IOC)	_CNInterrupt	27	19	00003Ah	IFS1[3]	IEC1[3]	IPC4[14:12]
External Interrupt 1	_INT1Interrupt	28	20	00003Ch	IFS1[4]	IEC1[4]	IPC5[2:0]
SCCP5 Capture/Compare	_CCP5Interrupt	30	22	000040h	IFS1[6]	IEC1[6]	IPC5[10:8]
SCCP6 Capture/Compare	_CCP6Interrupt	31	23	000042h	IFS1[7]	IEC1[7]	IPC5[14:12]
DMA Channel 2	_DMA2Interrupt	32	24	000044h	IFS1[8]	IEC1[8]	IPC6[2:0]
Output Compare 3	_OC3Interrupt	33	25	000046h	IFS1[9]	IEC1[9]	IPC6[6:4]
Output Compare 4	_OC4Interrupt	34	26	000048h	IFS1[10]	IEC1[10]	IPC6[10:8]
Timer4	_T4Interrupt	35	27	00004Ah	IFS1[11]	IEC1[11]	IPC6[14:12]
Timer5	_T5Interrupt	36	28	00004Ch	IFS1[12]	IEC1[12]	IPC7[2:0]
External Interrupt 2	_INT2Interrupt	37	29	00004Eh	IFS1[13]	IEC1[13]	IPC7[6:4]
UART2 Receiver	_U2RXInterrupt	38	30	000050h	IFS1[14]	IEC1[14]	IPC7[10:8]
UART2 Transmitter	_U2TXInterrupt	39	31	000052h	IFS1[15]	IEC1[15]	IPC7[14:12]
SPI2 General	_SPI2Interrupt	40	32	000054h	IFS2[0]	IEC2[0]	IPC8[2:0]
SPI2 Transmit	_SPI2TXInterrupt	41	33	000056h	IFS2[1]	IEC2[1]	IPC8[6:4]
Crypto Buffer Ready	_CRYPTOBufferReadyInterrupt	42	34	000058h	IFS2[2]	IEC2[2]	IPC8[10:8]
Crypto Rollover	_CRYPTORolloverInterrupt	43	35	00005Ah	IFS2[3]	IEC2[3]	IPC8[14:12]
DMA Channel 3	_DMA3Interrupt	44	36	00005Ch	IFS2[4]	IEC2[4]	IPC9[2:0]
Input Capture 3	_IC3Interrupt	45	37	00005Eh	IFS2[5]	IEC2[5]	IPC9[6:4]
Input Capture 4	_IC4Interrupt	46	38	000060h	IFS2[6]	IEC2[6]	IPC9[10:8]
Input Capture 5	_IC5Interrupt	47	39	000062h	IFS2[7]	IEC2[7]	IPC9[14:12]
Input Capture 6	_IC6Interrupt	48	40	000064h	IFS2[8]	IEC2[8]	IPC10[2:0]
Output Compare 5	_OC5Interrupt	49	41	000066h	IFS2[9]	IEC2[9]	IPC10[6:4]
Output Compare 6	_OC6Interrupt	50	42	000068h	IFS2[10]	IEC2[10]	IPC10[10:8]
SCCP3 Timer	_CCT3Interrupt	51	43	00006Ah	IFS2[11]	IEC2[11]	IPC10[14:12]
SCCP4 Timer	_CCT4Interrupt	52	44	00006Ch	IFS2[12]	IEC2[12]	IPC11[2:0]
Enhanced Parallel Master Port (EPMP)	_PMPInterrupt	53	45	00006Eh	IFS2[13]	IEC2[13]	IPC11[6:4]

PIC24FJ256GA412/GB412 FAMILY

TABLE 8-2: IMPLEMENTED INTERRUPT VECTORS (CONTINUED)

Interrupt Source	MPLAB® XC16 Trap ISR Name	Vector #	IRQ #	IVT or AIVT Address Offset	Interrupt Bit Locations		
					Flag	Enable	Priority
DMA Channel 4	_DMA4Interrupt	54	46	000070h	IFS2[14]	IEC2[14]	IPC11[10:8]
SCCP5 Timer	_CCT5Interrupt	55	47	000072h	IFS2[15]	IEC2[15]	IPC11[14:12]
SCCP6 Timer	_CCT6Interrupt	56	48	000074h	IFS3[0]	IEC3[0]	IPC12[2:0]
I2C2 Slave Event	_SI2C2Interrupt	57	49	000076h	IFS3[1]	IEC3[1]	IPC12[6:4]
I2C2 Master Event	_MI2C2Interrupt	58	50	000078h	IFS3[2]	IEC3[2]	IPC12[10:8]
SCCP7 Timer	_CCT7Interrupt	59	51	00007Ah	IFS3[3]	IEC3[3]	IPC12[14:12]
External Interrupt 3	_INT3Interrupt	61	53	00007Eh	IFS3[5]	IEC3[5]	IPC13[6:4]
External Interrupt 4	_INT4Interrupt	62	54	000080h	IFS3[6]	IEC3[6]	IPC13[10:8]
Crypto Operation Done	_CRYPTOInterrupt	63	55	000082h	IFS3[7]	IEC3[7]	IPC13[14:12]
Crypto Key Store Program Done	_CRYPTOKeyInterrupt	64	56	000084h	IFS3[8]	IEC3[8]	IPC14[2:0]
SPI4 Receive	_SPI4RXInterrupt	65	57	000086h	IFS3[9]	IEC3[9]	IPC14[6:4]
SPI1 Receive	_SPI1RXInterrupt	66	58	000088h	IFS3[10]	IEC3[10]	IPC14[10:8]
SPI2 Receive	_SPI2RXInterrupt	67	59	00008Ah	IFS3[11]	IEC3[11]	IPC14[14:12]
SPI3 Receive	_SPI3RXInterrupt	68	60	00008Ch	IFS3[12]	IEC3[12]	IPC15[2:0]
DMA Channel 5	_DMA5Interrupt	69	61	00008Eh	IFS3[13]	IEC3[13]	IPC15[6:4]
Real-Time Clock and Calendar (RTCC)	_RTCCInterrupt	70	62	000090h	IFS3[14]	IEC3[14]	IPC15[10:8]
MCCP1 Capture/Compare	_CCP1Interrupt	71	63	000092h	IFS3[15]	IEC3[15]	IPC15[14:12]
SCCP2 Capture/Compare	_CCP2Interrupt	72	64	000094h	IFS4[0]	IEC4[0]	IPC16[2:0]
UART1 Error	_U1ErrInterrupt	73	65	000096h	IFS4[1]	IEC4[1]	IPC16[6:4]
UART2 Error	_U2ErrInterrupt	74	66	000098h	IFS4[2]	IEC4[2]	IPC16[10:8]
CRC Generator	_CRCInterrupt	75	67	00009Ah	IFS4[3]	IEC4[3]	IPC16[14:12]
I2C3 Slave Event	_SI2C3Interrupt	78	70	0000A0h	IFS4[6]	IEC4[6]	IPC17[10:8]
I2C3 Master Event	_MI2C3Interrupt	79	71	0000A2h	IFS4[7]	IEC4[7]	IPC17[14:12]
High/Low-Voltage Detect (HLVD)	_LVDInterrupt	80	72	0000A4h	IFS4[8]	IEC4[8]	IPC18[2:0]
SCCP7 Capture/Compare	_CCP7Interrupt	81	73	0000A6h	IFS4[9]	IEC4[9]	IPC18[6:4]
CTMU Event	_CTMUInterrupt	85	77	0000AEh	IFS4[13]	IEC4[13]	IPC19[6:4]
DAC	_DAC1Interrupt	86	78	0000B0h	IFS4[14]	IEC4[14]	IPC19[10:8]
UART3 Error	_U3ErrInterrupt	89	81	0000B6h	IFS5[1]	IEC5[1]	IPC20[6:4]
UART3 Receiver	_U3RXInterrupt	90	82	0000B8h	IFS5[2]	IEC5[2]	IPC20[10:8]
UART3 Transmitter	_U3TXInterrupt	91	83	0000BAh	IFS5[3]	IEC5[3]	IPC20[14:12]
I2C1 Bus Collision	_I2C1BCLInterrupt	92	84	0000BCh	IFS5[4]	IEC5[4]	IPC21[2:0]
I2C2 Bus Collision	_I2C2BCLInterrupt	93	85	0000BEh	IFS5[5]	IEC5[5]	IPC21[6:4]
USB	_USB1Interrupt	94	86	0000C0h	IFS5[6]	IEC5[6]	IPC21[10:8]
UART4 Error	_U4ErrInterrupt	95	87	0000C2h	IFS5[7]	IEC5[7]	IPC21[14:12]
UART4 Receiver	_U4RXInterrupt	96	88	0000C4h	IFS5[8]	IEC5[8]	IPC22[2:0]
UART4 Transmitter	_U4TXInterrupt	97	89	0000C6h	IFS5[9]	IEC5[9]	IPC22[6:4]
SPI3 General	_SPI3Interrupt	98	90	0000C8h	IFS5[10]	IEC5[10]	IPC22[10:8]
SPI3 Transmit	_SPI3TXInterrupt	99	91	0000CAh	IFS5[11]	IEC5[11]	IPC22[14:12]
SPI4 General	_SPI4Interrupt	100	92	0000CCh	IFS5[12]	IEC5[12]	IPC23[2:0]
SPI3 Transmit	_SPI4TXInterrupt	101	93	0000CEh	IFS5[13]	IEC5[13]	IPC23[6:4]
SCCP3 Capture/Compare	_CCP3Interrupt	102	94	0000D0h	IFS5[14]	IEC5[14]	IPC23[10:8]
SCCP4 Capture/Compare	_CCP4Interrupt	103	95	0000D2h	IFS5[15]	IEC5[15]	IPC23[14:12]
CLC1	_CLC1Interrupt	104	96	0000D4h	IFS6[0]	IEC6[0]	IPC24[2:0]
CLC2	_CLC2Interrupt	105	97	0000D6h	IFS6[1]	IEC6[1]	IPC24[6:4]

PIC24FJ256GA412/GB412 FAMILY

TABLE 8-2: IMPLEMENTED INTERRUPT VECTORS (CONTINUED)

Interrupt Source	MPLAB® XC16 Trap ISR Name	Vector #	IRQ #	IVT or AIVT Address Offset	Interrupt Bit Locations		
					Flag	Enable	Priority
CLC3	_CLC3Interrupt	106	98	0000D8h	IFS6[2]	IEC6[2]	IPC24[10:8]
CLC4	_CLC4Interrupt	107	99	0000DAh	IFS6[3]	IEC6[3]	IPC24[14:12]
LCD	_LCDInterrupt	108	100	0000DCh	IFS6[4]	IEC6[4]	IPC25[2:0]
MCCP1 Timer	_CCT1Interrupt	109	101	0000DEh	IFS6[5]	IEC6[5]	IPC25[6:4]
SCCP2 Timer	_CCT2Interrupt	110	102	0000E0h	IFS6[6]	IEC6[6]	IPC25[10:8]
FRC Self-Tune	_FSTInterrupt	114	106	0000E8h	IFS6[10]	IEC6[10]	IPC26[10:8]
IC23 Collision	_I2C3BCLInterrupt	117	109	0000EEh	IFS6[13]	IEC6[13]	IPC27[6:4]
RTCC Timestamp	_RTCCTSInterrupt	118	110	0000F0h	IFS6[14]	IEC6[14]	IPC27[10:8]
UART5 Receive	_U5RXInterrupt	119	111	0000F2h	IFS6[15]	IEC6[15]	IPC27[14:12]
JTAG	_JTAGInterrupt	125	117	0000FEh	IFS7[5]	IEC7[5]	IPC29[6:4]
UART5 Transmit	_U5TXInterrupt	120	112	0000F4h	IFS7[0]	IEC7[0]	IPC28[2:0]
UART5 Error	_U5ErrInterrupt	121	113	0000F6h	IFS7[1]	IEC7[1]	IPC28[6:4]
UART6 Transmit	_U6TXInterrupt	123	113	0000FAh	IFS7[3]	IEC7[3]	IPC28[14:12]
UART6 Receive	_U6RXInterrupt	122	114	0000F8h	IFS7[2]	IEC7[2]	IPC28[10:8]
UART6 Error	_U6ErrInterrupt	124	116	0000FCh	IFS7[4]	IEC7[4]	IPC29[2:0]

PIC24FJ256GA412/GB412 FAMILY

8.3 Interrupt Control and Status Registers

The PIC24FJ256GA412/GB412 family of devices implements a total of 50 registers for the interrupt controller:

- INTCON1
- INTCON2
- INTCON4
- IFS0 through IFS7
- IEC0 through IEC7
- IPC0 through ICP29
- INTTREG

Global interrupt control functions are controlled from INTCON1 and INTCON2. INTCON1 contains the Interrupt Nesting Disable (NSTDIS) bit, as well as the control and status flags for the processor trap sources. The INTCON2 register controls global interrupt generation, the external interrupt request signal behavior and the use of the Alternate Interrupt Vector Table (AIVT). INTCON2 and INTCON4 also contain status flags for various hardware trap events.

The IFSx registers maintain all of the interrupt request flags. Each source of interrupt has a status bit, which is set by the respective peripherals or an external signal and is cleared via software.

The IECx registers maintain all of the interrupt enable bits. These control bits are used to individually enable interrupts from the peripherals or external signals.

The IPCx registers are used to set the Interrupt Priority Level (IPL) for each source of interrupt. Each user interrupt source can be assigned to one of eight priority levels.

The INTTREG register contains the associated interrupt vector number and the new CPU Interrupt Priority Level, which are latched into the Vector Number (VECNUM[6:0]) and the Interrupt Priority Level (ILR[3:0]) bit fields in the INTTREG register. The new Interrupt Priority Level is the priority of the pending interrupt.

The interrupt sources are assigned to the IFSx, IECx and IPCx registers in the order of their vector numbers, as shown in [Table 8-2](#). For example, the INT0 (External Interrupt 0) is shown as having a vector number and a natural order priority of 0. Thus, the INT0IF status bit is found in IFS0[0], the INT0IE enable bit in IEC0[0] and the INT0IP[2:0] priority bits in the first position of IPC0 (IPC0[2:0]).

Although they are not specifically part of the interrupt control hardware, two of the CPU Control registers contain bits that control interrupt functionality. The ALU STATUS Register (SR) contains the IPL[2:0] bits (SR[7:5]). These indicate the current CPU Interrupt Priority Level. The user can change the current CPU priority level by writing to the IPLx bits.

The CORCON register contains the IPL3 bit, which together with the IPL[2:0] bits, indicates the current CPU priority level. IPL3 is a read-only bit so that trap events cannot be masked by the user software.

The interrupt controller has the Interrupt Controller Test register, INTTREG, which displays the status of the interrupt controller. When an interrupt request occurs, its associated vector number and the new Interrupt Priority Level are latched into INTTREG. This information can be used to determine a specific interrupt source if a generic ISR is used for multiple vectors (such as when ISR remapping is used in bootloader applications) or to check if another interrupt is pending while in an ISR.

All Interrupt registers are described in [Register 8-3](#) through [Register 8-52](#) in the succeeding pages.

PIC24FJ256GA412/GB412 FAMILY

REGISTER 8-1: SR: ALU STATUS REGISTER (IN CPU)

U-0	U-0	U-0	U-0	U-0	U-0	U-0	R/W-0
—	—	—	—	—	—	—	DC ⁽¹⁾
bit 15							bit 8

R/W-0	R/W-0	R/W-0	R-0	R/W-0	R/W-0	R/W-0	R/W-0
IPL2 ^(2,3)	IPL1 ^(2,3)	IPL0 ^(2,3)	RA ⁽¹⁾	N ⁽¹⁾	OV ⁽¹⁾	Z ⁽¹⁾	C ⁽¹⁾
bit 7							bit 0

Legend:

R = Readable bit W = Writable bit U = Unimplemented bit, read as '0'
-n = Value at POR '1' = Bit is set '0' = Bit is cleared x = Bit is unknown

bit 15-9 **Unimplemented:** Read as '0'

bit 7-5 **IPL[2:0]:** CPU Interrupt Priority Level Status bits^(2,3)

- 111 = CPU Interrupt Priority Level is 7 (15); user interrupts are disabled
- 110 = CPU Interrupt Priority Level is 6 (14)
- 101 = CPU Interrupt Priority Level is 5 (13)
- 100 = CPU Interrupt Priority Level is 4 (12)
- 011 = CPU Interrupt Priority Level is 3 (11)
- 010 = CPU Interrupt Priority Level is 2 (10)
- 001 = CPU Interrupt Priority Level is 1 (9)
- 000 = CPU Interrupt Priority Level is 0 (8)

- Note 1:** See [Register 3-1](#) for the description of the remaining bits (bits 8, 4, 3, 2, 1 and 0) that are not dedicated to interrupt control functions.
- 2:** The IPLx bits are concatenated with the IPL3 (CORCON[3]) bit to form the CPU Interrupt Priority Level. The value in parentheses indicates the Interrupt Priority Level if IPL3 = 1.
- 3:** The IPLx Status bits are read-only when NSTDIS (INTCON1[15]) = 1.

PIC24FJ256GA412/GB412 FAMILY

REGISTER 8-2: CORCON: CPU CONTROL REGISTER

U-0	U-0	U-0	U-0	U-0	U-0	U-0	U-0
—	—	—	—	—	—	—	—
bit 15							bit 8

U-0	U-0	U-0	U-0	R/C-0	r-1	U-0	U-0
—	—	—	—	IPL3 ⁽¹⁾	—	—	—
bit 7							bit 0

Legend:	r = Reserved bit	C = Clearable bit
R = Readable bit	W = Writable bit	U = Unimplemented bit, read as '0'
-n = Value at POR	'1' = Bit is set	'0' = Bit is cleared x = Bit is unknown

- bit 15-4 **Unimplemented:** Read as '0'
- bit 3 **IPL3:** CPU Interrupt Priority Level Status bit⁽¹⁾
 - 1 = CPU Interrupt Priority Level is greater than 7
 - 0 = CPU Interrupt Priority Level is 7 or less
- bit 2 **Reserved:** Read as '1'
- bit 1-0 **Unimplemented:** Read as '0'

Note 1: The IPL3 bit is concatenated with the IPL[2:0] bits (SR[7:5]) to form the CPU Interrupt Priority Level; see [Register 3-2](#) for bit description.

PIC24FJ256GA412/GB412 FAMILY

REGISTER 8-3: INTCON1: INTERRUPT CONTROL REGISTER 1

R/W-0	U-0	U-0	U-0	U-0	U-0	U-0	U-0
NSTDIS	—	—	—	—	—	—	—
bit 15							bit 8

U-0	U-0	U-0	R/W-0	R/W-0	R/W-0	R/W-0	U-0
—	—	—	MATHERR	ADDRERR	STKERR	OSCFAIL	—
bit 7							bit 0

Legend:

R = Readable bit W = Writable bit U = Unimplemented bit, read as '0'
 -n = Value at POR '1' = Bit is set '0' = Bit is cleared x = Bit is unknown

- bit 15 **NSTDIS:** Interrupt Nesting Disable bit
 1 = Interrupt nesting is disabled
 0 = Interrupt nesting is enabled
- bit 14-5 **Unimplemented:** Read as '0'
- bit 4 **MATHERR:** Arithmetic Error Trap Status bit
 1 = Overflow trap has occurred
 0 = Overflow trap has not occurred
- bit 3 **ADDRERR:** Address Error Trap Status bit
 1 = Address error trap has occurred
 0 = Address error trap has not occurred
- bit 2 **STKERR:** Stack Error Trap Status bit
 1 = Stack error trap has occurred
 0 = Stack error trap has not occurred
- bit 1 **OSCFAIL:** Oscillator Failure Trap Status bit
 1 = Oscillator failure trap has occurred
 0 = Oscillator failure trap has not occurred
- bit 0 **Unimplemented:** Read as '0'

PIC24FJ256GA412/GB412 FAMILY

REGISTER 8-4: INTCON2: INTERRUPT CONTROL REGISTER 2

R/W-0	HSC/R-0	R/W-0	U-0	U-0	U-0	U-0	R/W-0
GIE	DISI	SWTRAP	—	—	—	—	ALTIVT
bit 15							bit 8

U-0	U-0	U-0	R/W-0	R/W-0	R/W-0	R/W-0	R/W-0
—	—	—	INT4EP	INT3EP	INT2EP	INT1EP	INT0EP
bit 7							bit 0

Legend:	HSC = Hardware Settable/Clearable bit		
R = Readable bit	W = Writable bit	U = Unimplemented bit, read as '0'	
-n = Value at POR	'1' = Bit is set	'0' = Bit is cleared	x = Bit is unknown

- bit 15 **GIE:** Global Interrupt Enable bit
1 = Interrupt and associated interrupt enable bits are enabled
0 = Interrupts are disabled; traps remain enabled
- bit 14 **DISI:** DISI Instruction Status bit
1 = DISI instruction is active
0 = DISI instruction is not active
- bit 13 **SWTRAP:** Software Trap Status bit
1 = Generates a software trap
0 = Software trap is not requested
- bit 12-9 **Unimplemented:** Read as '0'
- bit 8 **ALTIVT:** Enable Alternate Interrupt Vector Table bit
1 = Uses Alternate Interrupt Vector Table
0 = Uses standard (default) Interrupt Vector Table
- bit 7-5 **Unimplemented:** Read as '0'
- bit 4 **INT4EP:** External Interrupt 4 Edge Detect Polarity Select bit
1 = Interrupt on negative edge
0 = Interrupt on positive edge
- bit 3 **INT3EP:** External Interrupt 3 Edge Detect Polarity Select bit
1 = Interrupt on negative edge
0 = Interrupt on positive edge
- bit 2 **INT2EP:** External Interrupt 2 Edge Detect Polarity Select bit
1 = Interrupt on negative edge
0 = Interrupt on positive edge
- bit 1 **INT1EP:** External Interrupt 1 Edge Detect Polarity Select bit
1 = Interrupt on negative edge
0 = Interrupt on positive edge
- bit 0 **INT0EP:** External Interrupt 0 Edge Detect Polarity Select bit
1 = Interrupt on negative edge
0 = Interrupt on positive edge

PIC24FJ256GA412/GB412 FAMILY

REGISTER 8-5: INTCON4: INTERRUPT CONTROL REGISTER 4

U-0	U-0	U-0	U-0	U-0	U-0	U-0	U-0
—	—	—	—	—	—	—	—
bit 15							bit 8

U-0	U-0	U-0	U-0	U-0	U-0	U-0	HSC/R/W-0
—	—	—	—	—	—	—	SGHT
bit 7							bit 0

Legend:	HSC = Hardware Settable/Clearable bit		
R = Readable bit	W = Writable bit	U = Unimplemented bit, read as '0'	
-n = Value at POR	'1' = Bit is set	'0' = Bit is cleared	x = Bit is unknown

- bit 15-1 **Unimplemented:** Read as '0'
- bit 0 **SGHT:** Software Generated Hard Trap Status bit
 1 = A software generated hard trap has occurred
 0 = No software generated hard trap has occurred

PIC24FJ256GA412/GB412 FAMILY

REGISTER 8-6: IFS0: INTERRUPT FLAG STATUS REGISTER 0

R/W-0	R/W-0	R/W-0	R/W-0	R/W-0	R/W-0	R/W-0	R/W-0
NVMIF	DMA1IF	AD1IF	U1TXIF	U1RXIF	SPI1TXIF	SPI1IF	T3IF
bit 15						bit 8	

R/W-0	R/W-0	R/W-0	R/W-0	R/W-0	R/W-0,	R/W-0	R/W-0
T2IF	OC2IF	IC2IF	DMA0IF	T1IF	OC1IF	IC1IF	INT0IF
bit 7						bit 0	

Legend:

R = Readable bit

W = Writable bit

U = Unimplemented bit, read as '0'

-n = Value at POR

'1' = Bit is set

'0' = Bit is cleared

x = Bit is unknown

bit 15 **NVMIF:** Flash Memory Write/Program Done Interrupt Flag Status bit

- 1 = Interrupt request has occurred
- 0 = Interrupt request has not occurred

bit 14 **DMA1IF:** DMA Channel 1 Interrupt Flag Status bit

- 1 = Interrupt request has occurred
- 0 = Interrupt request has not occurred

bit 13 **AD1IF:** 12-Bit Pipeline A/D Event Interrupt Flag Status bit

- 1 = Interrupt request has occurred
- 0 = Interrupt request has not occurred

bit 12 **U1TXIF:** UART1 Transmitter Interrupt Flag Status bit

- 1 = Interrupt request has occurred
- 0 = Interrupt request has not occurred

bit 11 **U1RXIF:** UART1 Receiver Interrupt Flag Status bit

- 1 = Interrupt request has occurred
- 0 = Interrupt request has not occurred

bit 10 **SPI1TXIF:** SPI1 Transmit Interrupt Flag Status bit

- 1 = Interrupt request has occurred
- 0 = Interrupt request has not occurred

bit 9 **SPI1IF:** SPI1 General Interrupt Flag Status bit

- 1 = Interrupt request has occurred
- 0 = Interrupt request has not occurred

bit 8 **T3IF:** Timer3 Interrupt Flag Status bit

- 1 = Interrupt request has occurred
- 0 = Interrupt request has not occurred

bit 7 **T2IF:** Timer2 Interrupt Flag Status bit

- 1 = Interrupt request has occurred
- 0 = Interrupt request has not occurred

bit 6 **OC2IF:** Output Compare Channel 2 Interrupt Flag Status bit

- 1 = Interrupt request has occurred
- 0 = Interrupt request has not occurred

bit 5 **IC2IF:** Input Capture Channel 2 Interrupt Flag Status bit

- 1 = Interrupt request has occurred
- 0 = Interrupt request has not occurred

bit 4 **DMA0IF:** DMA Channel 0 Interrupt Flag Status bit

- 1 = Interrupt request has occurred
- 0 = Interrupt request has not occurred

PIC24FJ256GA412/GB412 FAMILY

REGISTER 8-6: IFS0: INTERRUPT FLAG STATUS REGISTER 0 (CONTINUED)

- bit 3 **T1IF:** Timer1 Interrupt Flag Status bit
1 = Interrupt request has occurred
0 = Interrupt request has not occurred
- bit 2 **OC1IF:** Output Compare Channel 1 Interrupt Flag Status bit
1 = Interrupt request has occurred
0 = Interrupt request has not occurred
- bit 1 **IC1IF:** Input Capture Channel 1 Interrupt Flag Status bit
1 = Interrupt request has occurred
0 = Interrupt request has not occurred
- bit 0 **INT0IF:** External Interrupt 0 Flag Status bit
1 = Interrupt request has occurred
0 = Interrupt request has not occurred

PIC24FJ256GA412/GB412 FAMILY

REGISTER 8-7: IFS1: INTERRUPT FLAG STATUS REGISTER 1

R/W-0	R/W-0	R/W-0	R/W-0	R/W-0	R/W-0	R/W-0	R/W-0
U2TXIF	U2RXIF	INT2IF	T5IF	T4IF	OC4IF	OC3IF	DMA2IF
bit 15							bit 8

R/W-0	R/W-0	U-0	R/W-0	R/W-0	R/W-0	R/W-0	R/W-0
CCP6IF	CCP5IF	—	INT1IF	CNIF	CMIF	MI2C1IF	SI2C1IF
bit 7							bit 0

Legend:

R = Readable bit W = Writable bit U = Unimplemented bit, read as '0'
 -n = Value at POR '1' = Bit is set '0' = Bit is cleared x = Bit is unknown

- bit 15 **U2TXIF:** UART2 Transmitter Interrupt Flag Status bit
 1 = Interrupt request has occurred
 0 = Interrupt request has not occurred
- bit 14 **U2RXIF:** UART2 Receiver Interrupt Flag Status bit
 1 = Interrupt request has occurred
 0 = Interrupt request has not occurred
- bit 13 **INT2IF:** External Interrupt 2 Flag Status bit
 1 = Interrupt request has occurred
 0 = Interrupt request has not occurred
- bit 12 **T5IF:** Timer5 Interrupt Flag Status bit
 1 = Interrupt request has occurred
 0 = Interrupt request has not occurred
- bit 11 **T4IF:** Timer4 Interrupt Flag Status bit
 1 = Interrupt request has occurred
 0 = Interrupt request has not occurred
- bit 10 **OC4IF:** Output Compare Channel 4 Interrupt Flag Status bit
 1 = Interrupt request has occurred
 0 = Interrupt request has not occurred
- bit 9 **OC3IF:** Output Compare Channel 3 Interrupt Flag Status bit
 1 = Interrupt request has occurred
 0 = Interrupt request has not occurred
- bit 8 **DMA2IF:** DMA Channel 2 Interrupt Flag Status bit
 1 = Interrupt request has occurred
 0 = Interrupt request has not occurred
- bit 7 **CCP6IF:** SCCP6 Capture/Compare Interrupt Flag Status bit
 1 = Interrupt request has occurred
 0 = Interrupt request has not occurred
- bit 6 **CCP5IF:** SCCP5 Capture/Compare Interrupt Flag Status bit
 1 = Interrupt request has occurred
 0 = Interrupt request has not occurred
- bit 5 **Unimplemented:** Read as '0'
- bit 4 **INT1IF:** External Interrupt 1 Flag Status bit
 1 = Interrupt request has occurred
 0 = Interrupt request has not occurred
- bit 3 **CNIF:** Interrupt-on-Change Interrupt Flag Status bit
 1 = Interrupt request has occurred
 0 = Interrupt request has not occurred

PIC24FJ256GA412/GB412 FAMILY

REGISTER 8-7: IFS1: INTERRUPT FLAG STATUS REGISTER 1 (CONTINUED)

- bit 2 **CMIF:** Comparator Interrupt Flag Status bit
 1 = Interrupt request has occurred
 0 = Interrupt request has not occurred
- bit 1 **MI2C1IF:** Master I2C1 Event Interrupt Flag Status bit
 1 = Interrupt request has occurred
 0 = Interrupt request has not occurred
- bit 0 **SI2C1IF:** Slave I2C1 Event Interrupt Flag Status bit
 1 = Interrupt request has occurred
 0 = Interrupt request has not occurred

PIC24FJ256GA412/GB412 FAMILY

REGISTER 8-8: IFS2: INTERRUPT FLAG STATUS REGISTER 2

R/W-0	R/W-0	R/W-0	R/W-0	R/W-0	R/W-0	R/W-0	R/W-0
CCT5IF	DMA4IF	PMIF	CCT4IF	CCT3IF	OC6IF	OC5IF	IC6IF
bit 15							bit 8

R/W-0	R/W-0	R/W-0	R/W-0	R/W-0	R/W-0	R/W-0	R/W-0
IC5IF	IC4IF	IC3IF	DMA3IF	CRYROLLIF	CRYFREEIF	SPI2TXIF	SPI2IF
bit 7							bit 0

Legend:

R = Readable bit W = Writable bit U = Unimplemented bit, read as '0'
 -n = Value at POR '1' = Bit is set '0' = Bit is cleared x = Bit is unknown

- bit 15 **CCT5IF:** SCCP5 Timer Interrupt Flag Status bit
 1 = Interrupt request has occurred
 0 = Interrupt request has not occurred
- bit 14 **DMA4IF:** DMA Channel 4 Interrupt Flag Status bit
 1 = Interrupt request has occurred
 0 = Interrupt request has not occurred
- bit 13 **PMIF:** Parallel Master Port Interrupt Flag Status bit
 1 = Interrupt request has occurred
 0 = Interrupt request has not occurred
- bit 12 **CCT4IF:** SCCP4 Timer Interrupt Flag Status bit
 1 = Interrupt request has occurred
 0 = Interrupt request has not occurred
- bit 11 **CCT3IF:** SCCP3 Timer Interrupt Flag Status bit
 1 = Interrupt request has occurred
 0 = Interrupt request has not occurred
- bit 10 **OC6IF:** Output Compare Channel 6 Interrupt Flag Status bit
 1 = Interrupt request has occurred
 0 = Interrupt request has not occurred
- bit 9 **OC5IF:** Output Compare Channel 5 Interrupt Flag Status bit
 1 = Interrupt request has occurred
 0 = Interrupt request has not occurred
- bit 8 **IC6IF:** Input Capture Channel 6 Interrupt Flag Status bit
 1 = Interrupt request has occurred
 0 = Interrupt request has not occurred
- bit 7 **IC5IF:** Input Capture Channel 5 Interrupt Flag Status bit
 1 = Interrupt request has occurred
 0 = Interrupt request has not occurred
- bit 6 **IC4IF:** Input Capture Channel 4 Interrupt Flag Status bit
 1 = Interrupt request has occurred
 0 = Interrupt request has not occurred
- bit 5 **IC3IF:** Input Capture Channel 3 Interrupt Flag Status bit
 1 = Interrupt request has occurred
 0 = Interrupt request has not occurred
- bit 4 **DMA3IF:** DMA Channel 3 Interrupt Flag Status bit
 1 = Interrupt request has occurred
 0 = Interrupt request has not occurred

PIC24FJ256GA412/GB412 FAMILY

REGISTER 8-8: IFS2: INTERRUPT FLAG STATUS REGISTER 2 (CONTINUED)

- bit 3 **CRYROLLIF**: Cryptographic Rollover Status bit
1 = Interrupt request has occurred
0 = Interrupt request has not occurred
- bit 2 **CRYFREEIF**: Cryptographic Buffer Free Status bit
1 = Interrupt request has occurred
0 = Interrupt request has not occurred
- bit 1 **SPI2TXIF**: SPI2 Transmit Interrupt Flag Status bit
1 = Interrupt request has occurred
0 = Interrupt request has not occurred
- bit 0 **SPI2IF**: SPI2 General Interrupt Flag Status bit
1 = Interrupt request has occurred
0 = Interrupt request has not occurred

PIC24FJ256GA412/GB412 FAMILY

REGISTER 8-9: IFS3: INTERRUPT FLAG STATUS REGISTER 3

R/W-0	R/W-0	R/W-0	R/W-0	R/W-0	R/W-0	R/W-0	R/W-0
CCP1IF	RTCIF	DMA5IF	SPI3RXIF	SPI2RXIF	SPI1RXIF	SPI4RXIF	KEYSTRIF
bit 15							bit 8

R/W-0	R/W-0	R/W-0	U-0	R/W-0	R/W-0	R/W-0	R/W-0
CRYDNIF	INT4IF	INT3IF	—	CCT7IF	MI2C2IF	SI2C2IF	CCT6IF
bit 7							bit 0

Legend:

R = Readable bit W = Writable bit U = Unimplemented bit, read as '0'
 -n = Value at POR '1' = Bit is set '0' = Bit is cleared x = Bit is unknown

- bit 15 **CCP1IF:** M CCP1 Capture/Compare Interrupt Flag Status bit
 1 = Interrupt request has occurred
 0 = Interrupt request has not occurred
- bit 14 **RTCIF:** Real-Time Clock and Calendar Interrupt Flag Status bit
 1 = Interrupt request has occurred
 0 = Interrupt request has not occurred
- bit 13 **DMA5IF:** DMA Channel 5 Interrupt Flag Status bit
 1 = Interrupt request has occurred
 0 = Interrupt request has not occurred
- bit 12 **SPI3RXIF:** SPI3 Receive Interrupt Flag Status bit
 1 = Interrupt request has occurred
 0 = Interrupt request has not occurred
- bit 11 **SPI2RXIF:** SPI2 Receive Interrupt Flag Status bit
 1 = Interrupt request has occurred
 0 = Interrupt request has not occurred
- bit 10 **SPI1RXIF:** SPI1 Receive Interrupt Flag Status bit
 1 = Interrupt request has occurred
 0 = Interrupt request has not occurred
- bit 9 **SPI4RXIF:** SPI4 Receive Interrupt Flag Status bit
 1 = Interrupt request has occurred
 0 = Interrupt request has not occurred
- bit 8 **KEYSTRIF:** Cryptographic Key Store Program Done Interrupt Flag Status bit
 1 = Interrupt request has occurred
 0 = Interrupt request has not occurred
- bit 7 **CRYDNIF:** Cryptographic Operation Done Interrupt Flag Status bit
 1 = Interrupt request has occurred
 0 = Interrupt request has not occurred
- bit 6 **INT4IF:** External Interrupt 4 Flag Status bit
 1 = Interrupt request has occurred
 0 = Interrupt request has not occurred
- bit 5 **INT3IF:** External Interrupt 3 Flag Status bit
 1 = Interrupt request has occurred
 0 = Interrupt request has not occurred
- bit 4 **Unimplemented:** Read as '0'
- bit 3 **CCT7IF:** SCCP7 Timer Interrupt Flag Status bit
 1 = Interrupt request has occurred
 0 = Interrupt request has not occurred

PIC24FJ256GA412/GB412 FAMILY

REGISTER 8-9: IFS3: INTERRUPT FLAG STATUS REGISTER 3 (CONTINUED)

- bit 2 **M12C2IF**: Master I2C2 Event Interrupt Flag Status bit
1 = Interrupt request has occurred
0 = Interrupt request has not occurred
- bit 1 **S12C2IF**: Slave I2C2 Event Interrupt Flag Status bit
1 = Interrupt request has occurred
0 = Interrupt request has not occurred
- bit 0 **CCT6IF**: SCCP6 Timer Interrupt Flag Status bit
1 = Interrupt request has occurred
0 = Interrupt request has not occurred

PIC24FJ256GA412/GB412 FAMILY

REGISTER 8-10: IFS4: INTERRUPT FLAG STATUS REGISTER 4

U-0	R/W-0	R/W-0	U-0	U-0	U-0	R/W-0	R/W-0
—	DAC1IF	CTMUIF	—	—	—	CCP7IF	HLVDIF
bit 15						bit 8	

R/W-0	R/W-0	U-0	U-0	R/W-0	R/W-0	R/W-0	R/W-0
MI2C3IF	SI2C3IF	—	—	CRCIF	U2ERIF	U1ERIF	CCP2IF
bit 7						bit 0	

Legend:

R = Readable bit W = Writable bit U = Unimplemented bit, read as '0'
 -n = Value at POR '1' = Bit is set '0' = Bit is cleared x = Bit is unknown

- bit 15 **Unimplemented:** Read as '0'
- bit 14 **DAC1IF:** DAC Converter Interrupt Flag Status bit
 1 = Interrupt request has occurred
 0 = Interrupt request has not occurred
- bit 13 **CTMUIF:** CTMU Interrupt Flag Status bit
 1 = Interrupt request has occurred
 0 = Interrupt request has not occurred
- bit 12-10 **Unimplemented:** Read as '0'
- bit 9 **CCP7IF:** SSCP7 Capture/Compare Interrupt Flag Status bit
 1 = Interrupt request has occurred
 0 = Interrupt request has not occurred
- bit 8 **HLVDIF:** High/Low-Voltage Detect Interrupt Flag Status bit
 1 = Interrupt request has occurred
 0 = Interrupt request has not occurred
- bit 7 **MI2C3IF:** Master I2C3 Event Interrupt Flag Status bit
 1 = Interrupt request has occurred
 0 = Interrupt request has not occurred
- bit 6 **SI2C3IF:** Slave I2C3 Event Interrupt Flag Status bit
 1 = Interrupt request has occurred
 0 = Interrupt request has not occurred
- bit 5-4 **Unimplemented:** Read as '0'
- bit 3 **CRCIF:** CRC Generator Interrupt Flag Status bit
 1 = Interrupt request has occurred
 0 = Interrupt request has not occurred
- bit 2 **U2ERIF:** UART2 Error Interrupt Flag Status bit
 1 = Interrupt request has occurred
 0 = Interrupt request has not occurred
- bit 1 **U1ERIF:** UART1 Error Interrupt Flag Status bit
 1 = Interrupt request has occurred
 0 = Interrupt request has not occurred
- bit 0 **CCP2IF:** SSCP2 Capture/Compare Interrupt Flag Status bit
 1 = Interrupt request has occurred
 0 = Interrupt request has not occurred

PIC24FJ256GA412/GB412 FAMILY

REGISTER 8-11: IFS5: INTERRUPT FLAG STATUS REGISTER 5

R/W-0	R/W-0	R/W-0	R/W-0	R/W-0	R/W-0	R/W-0	R/W-0
CCP4IF	CCP3IF	SPI4TXIF	SPI4IF	SPI3TXIF	SPI3IF	U4TXIF	U4RXIF
bit 15						bit 8	

R/W-0	R/W-0	R/W-0	R/W-0	R/W-0	R/W-0	R/W-0	U-0
U4ERIF	USB1IF	I2C2BCIF	I2C1BCIF	U3TXIF	U3RXIF	U3ERIF	—
bit 7						bit 0	

Legend:

R = Readable bit W = Writable bit U = Unimplemented bit, read as '0'
 -n = Value at POR '1' = Bit is set '0' = Bit is cleared x = Bit is unknown

bit 15 **CCP4IF:** S CCP4 Capture/Compare Interrupt Flag Status bit

1 = Interrupt request has occurred
 0 = Interrupt request has not occurred

bit 14 **CCP3IF:** S CCP3 Capture/Compare Interrupt Flag Status bit

1 = Interrupt request has occurred
 0 = Interrupt request has not occurred

bit 13 **SPI4TXIF:** SPI4 Transmit Interrupt Flag Status bit

1 = Interrupt request has occurred
 0 = Interrupt request has not occurred

bit 12 **SPI4IF:** SPI4 General Interrupt Flag Status bit

1 = Interrupt request has occurred
 0 = Interrupt request has not occurred

bit 11 **SPI3TXIF:** SPI3 Transmit Interrupt Flag Status bit

1 = Interrupt request has occurred
 0 = Interrupt request has not occurred

bit 10 **SPI3IF:** SPI3 General Interrupt Flag Status bit

1 = Interrupt request has occurred
 0 = Interrupt request has not occurred

bit 9 **U4TXIF:** UART4 Transmitter Interrupt Flag Status bit

1 = Interrupt request has occurred
 0 = Interrupt request has not occurred

bit 8 **U4RXIF:** UART4 Receiver Interrupt Flag Status bit

1 = Interrupt request has occurred
 0 = Interrupt request has not occurred

bit 7 **U4ERIF:** UART4 Error Interrupt Flag Status bit

1 = Interrupt request has occurred
 0 = Interrupt request has not occurred

bit 6 **USB1IF:** USB1 (USB OTG) Interrupt Flag Status bit

1 = Interrupt request has occurred
 0 = Interrupt request has not occurred

bit 5 **I2C2BCIF:** I2C2 Bus Collision Interrupt Flag Status bit

1 = Interrupt request has occurred
 0 = Interrupt request has not occurred

bit 4 **I2C1BCIF:** I2C1 Bus Collision Interrupt Flag Status bit

1 = Interrupt request has occurred
 0 = Interrupt request has not occurred

PIC24FJ256GA412/GB412 FAMILY

REGISTER 8-11: IFS5: INTERRUPT FLAG STATUS REGISTER 5 (CONTINUED)

- bit 3 **U3TXIF:** UART3 Transmitter Interrupt Flag Status bit
1 = Interrupt request has occurred
0 = Interrupt request has not occurred
- bit 2 **U3RXIF:** UART3 Receiver Interrupt Flag Status bit
1 = Interrupt request has occurred
0 = Interrupt request has not occurred
- bit 1 **U3ERIF:** UART3 Error Interrupt Flag Status bit
1 = Interrupt request has occurred
0 = Interrupt request has not occurred
- bit 0 **Unimplemented:** Read as '0'

PIC24FJ256GA412/GB412 FAMILY

REGISTER 8-12: IFS6: INTERRUPT FLAG STATUS REGISTER 6

R/W-0	R/W-0	R/W-0	U-0	U-0	R/W-0	U-0	U-0
U5RXIF	RTCTSIF	I2C3BCIF	—	—	FSTIF	—	—
bit 15						bit 8	

U-0	R/W-0	R/W-0	R/W-0	R/W-0	R/W-0	R/W-0	R/W-0
—	CCT2IF	CCT1IF	LCDIF	CLC4IF	CLC3IF	CLC2IF	CLC1IF
bit 7						bit 0	

Legend:

R = Readable bit	W = Writable bit	U = Unimplemented bit, read as '0'
-n = Value at POR	'1' = Bit is set	'0' = Bit is cleared
		x = Bit is unknown

- bit 15 **U5RXIF:** UART5 Receiver Interrupt Flag Status bit
1 = Interrupt request has occurred
0 = Interrupt request has not occurred
- bit 14 **RTCTSIF:** RTCC Timestamp Interrupt Flag Status bit
1 = Interrupt request has occurred
0 = Interrupt request has not occurred
- bit 13 **I2C3BCIF:** I2C3 Bus Collision Interrupt Flag Status bit
1 = Interrupt request has occurred
0 = Interrupt request has not occurred
- bit 12-11 **Unimplemented:** Read as '0'
- bit 10 **FSTIF:** FRC Self-Tune Interrupt Flag Status bit
1 = Interrupt request has occurred
0 = Interrupt request has not occurred
- bit 9-7 **Unimplemented:** Read as '0'
- bit 6 **CCT2IF:** SCCP2 Timer Interrupt Flag Status bit
1 = Interrupt request has occurred
0 = Interrupt request has not occurred
- bit 5 **CCT1IF:** MCCP1 Timer Interrupt Flag Status bit
1 = Interrupt request has occurred
0 = Interrupt request has not occurred
- bit 4 **LCDIF:** LCD Controller Interrupt Flag Status bit
1 = Interrupt request has occurred
0 = Interrupt request has not occurred
- bit 3 **CLC4IF:** CLC4 Interrupt Flag Status bit
1 = Interrupt request has occurred
0 = Interrupt request has not occurred
- bit 2 **CLC3IF:** CLC3 Interrupt Flag Status bit
1 = Interrupt request has occurred
0 = Interrupt request has not occurred
- bit 1 **CLC2IF:** CLC2 Interrupt Flag Status bit
1 = Interrupt request has occurred
0 = Interrupt request has not occurred
- bit 0 **CLC1IF:** CLC1 Interrupt Flag Status bit
1 = Interrupt request has occurred
0 = Interrupt request has not occurred

PIC24FJ256GA412/GB412 FAMILY

REGISTER 8-13: IFS7: INTERRUPT FLAG STATUS REGISTER 7

U-0	U-0	U-0	U-0	U-0	U-0	U-0	U-0
—	—	—	—	—	—	—	—
bit 15							bit 8

U-0	U-0	R/W-0	R/W-0	R/W-0	R/W-0	R/W-0	R/W-0
—	—	JTAGIF	U6ERIF	U6TXIF	U6RXIF	U5ERIF	U5TXIF
bit 7							bit 0

Legend:

R = Readable bit

W = Writable bit

U = Unimplemented bit, read as '0'

-n = Value at POR

'1' = Bit is set

'0' = Bit is cleared

x = Bit is unknown

- bit 15-6 **Unimplemented:** Read as '0'
- bit 5 **JTAGIF:** JTAG Controller Interrupt Flag Status bit
 1 = Interrupt request has occurred
 0 = Interrupt request has not occurred
- bit 4 **U6ERIF:** UART6 Error Interrupt Flag Status bit
 1 = Interrupt request has occurred
 0 = Interrupt request has not occurred
- bit 3 **U6TXIF:** UART6 Transmitter Interrupt Flag Status bit
 1 = Interrupt request has occurred
 0 = Interrupt request has not occurred
- bit 2 **U6RXIF:** UART6 Receiver Interrupt Flag Status bit
 1 = Interrupt request has occurred
 0 = Interrupt request has not occurred
- bit 1 **U5ERIF:** UART5 Error Interrupt Flag Status bit
 1 = Interrupt request has occurred
 0 = Interrupt request has not occurred
- bit 0 **U5TXIF:** UART5 Transmitter Interrupt Flag Status bit
 1 = Interrupt request has occurred
 0 = Interrupt request has not occurred

PIC24FJ256GA412/GB412 FAMILY

REGISTER 8-14: IEC0: INTERRUPT ENABLE CONTROL REGISTER 0

R/W-0	R/W-0	R/W-0	R/W-0	R/W-0	R/W-0	R/W-0	R/W-0
NVMIE	DMA1IE	AD1IE	U1TXIE	U1RXIE	SPI1TXIE	SPI1IE	T3IE
bit 15						bit 8	

R/W-0	R/W-0	R/W-0	R/W-0	R/W-0	R/W-0,	R/W-0	R/W-0
T2IE	OC2IE	IC2IE	DMA0IE	T1IE	OC1IE	IC1IE	INT0IE
bit 7						bit 0	

Legend:

R = Readable bit	W = Writable bit	U = Unimplemented bit, read as '0'
-n = Value at POR	'1' = Bit is set	'0' = Bit is cleared
		x = Bit is unknown

bit 15 **NVMIE:** Flash Memory Write/Program Done Interrupt Enable bit

1 = Interrupt request is enabled
0 = Interrupt request is not enabled

bit 14 **DMA1IE:** DMA Channel 1 Interrupt Enable bit

1 = Interrupt request is enabled
0 = Interrupt request is not enabled

bit 13 **AD1IE:** 12-Bit Pipeline A/D Interrupt Enable bit

1 = Interrupt request is enabled
0 = Interrupt request is not enabled

bit 12 **U1TXIE:** UART1 Transmitter Interrupt Enable bit

1 = Interrupt request is enabled
0 = Interrupt request is not enabled

bit 11 **U1RXIE:** UART1 Receiver Interrupt Enable bit

1 = Interrupt request is enabled
0 = Interrupt request is not enabled

bit 10 **SPI1TXIE:** SPI1 Transmit Interrupt Enable bit

1 = Interrupt request is enabled
0 = Interrupt request is not enabled

bit 9 **SPI1IE:** SPI1 General Interrupt Enable bit

1 = Interrupt request is enabled
0 = Interrupt request is not enabled

bit 8 **T3IE:** Timer3 Interrupt Enable bit

1 = Interrupt request is enabled
0 = Interrupt request is not enabled

bit 7 **T2IE:** Timer2 Interrupt Enable bit

1 = Interrupt request is enabled
0 = Interrupt request is not enabled

bit 6 **OC2IE:** Output Compare Channel 2 Interrupt Enable bit

1 = Interrupt request is enabled
0 = Interrupt request is not enabled

bit 5 **IC2IE:** Input Capture Channel 2 Interrupt Enable bit

1 = Interrupt request is enabled
0 = Interrupt request is not enabled

bit 4 **DMA0IE:** DMA Channel 0 Interrupt Flag Enable bit

1 = Interrupt request is enabled
0 = Interrupt request is not enabled

PIC24FJ256GA412/GB412 FAMILY

REGISTER 8-14: IEC0: INTERRUPT ENABLE CONTROL REGISTER 0 (CONTINUED)

- bit 3 **T1IE:** Timer1 Interrupt Enable bit
1 = Interrupt request is enabled
0 = Interrupt request is not enabled
- bit 2 **OC1IE:** Output Compare Channel 1 Interrupt Enable bit
1 = Interrupt request is enabled
0 = Interrupt request is not enabled
- bit 1 **IC1IE:** Input Capture Channel 1 Interrupt Enable bit
1 = Interrupt request is enabled
0 = Interrupt request is not enabled
- bit 0 **INT0IE:** External Interrupt 0 Enable bit
1 = Interrupt request is enabled
0 = Interrupt request is not enabled

PIC24FJ256GA412/GB412 FAMILY

REGISTER 8-15: IEC1: INTERRUPT ENABLE CONTROL REGISTER 1

R/W-0	R/W-0	R/W-0	R/W-0	R/W-0	R/W-0	R/W-0	R/W-0
U2TXIE	U2RXIE	INT2IE ⁽¹⁾	T5IE	T4IE	OC4IE	OC3IE	DMA2IE
bit 15							bit 8

R/W-0	R/W-0	U-0	R/W-0	R/W-0	R/W-0	R/W-0	R/W-0
CCP6IE	CCP5IE	—	INT1IE ⁽¹⁾	CNIE	CMIE	MI2C1IE	SI2C1IE
bit 7							bit 0

Legend:

R = Readable bit W = Writable bit U = Unimplemented bit, read as '0'
 -n = Value at POR '1' = Bit is set '0' = Bit is cleared x = Bit is unknown

- bit 15 **U2TXIE:** UART2 Transmitter Interrupt Enable bit
 1 = Interrupt request is enabled
 0 = Interrupt request is not enabled
- bit 14 **U2RXIE:** UART2 Receiver Interrupt Enable bit
 1 = Interrupt request is enabled
 0 = Interrupt request is not enabled
- bit 13 **INT2IE:** External Interrupt 2 Enable bit⁽¹⁾
 1 = Interrupt request is enabled
 0 = Interrupt request is not enabled
- bit 12 **T5IE:** Timer5 Interrupt Enable bit
 1 = Interrupt request is enabled
 0 = Interrupt request is not enabled
- bit 11 **T4IE:** Timer4 Interrupt Enable bit
 1 = Interrupt request is enabled
 0 = Interrupt request is not enabled
- bit 10 **OC4IE:** Output Compare Channel 4 Interrupt Enable bit
 1 = Interrupt request is enabled
 0 = Interrupt request is not enabled
- bit 9 **OC3IE:** Output Compare Channel 3 Interrupt Enable bit
 1 = Interrupt request is enabled
 0 = Interrupt request is not enabled
- bit 8 **DMA2IE:** DMA Channel 2 Interrupt Flag Enable bit
 1 = Interrupt request is enabled
 0 = Interrupt request is not enabled
- bit 7 **CCP6IE:** SCCP6 Capture/Compare Interrupt Enable bit
 1 = Interrupt request is enabled
 0 = Interrupt request is not enabled
- bit 6 **CCP5IE:** SCCP5 Capture/Compare Interrupt Enable bit
 1 = Interrupt request is enabled
 0 = Interrupt request is not enabled
- bit 5 **Unimplemented:** Read as '0'
- bit 4 **INT1IE:** External Interrupt 1 Enable bit⁽¹⁾
 1 = Interrupt request is enabled
 0 = Interrupt request is not enabled

Note 1: If an external interrupt is enabled, the interrupt input must also be configured to an available RPN or RPIn pin. See [Section 11.5 “Peripheral Pin Select \(PPS\)”](#) for more information.

PIC24FJ256GA412/GB412 FAMILY

REGISTER 8-15: IEC1: INTERRUPT ENABLE CONTROL REGISTER 1 (CONTINUED)

bit 3 **CNIE:** Input Change Notification Interrupt Enable bit

1 = Interrupt request is enabled
0 = Interrupt request is not enabled

bit 2 **CMIE:** Comparator Interrupt Enable bit

1 = Interrupt request is enabled
0 = Interrupt request is not enabled

bit 1 **M12C1IE:** Master I2C1 Event Interrupt Enable bit

1 = Interrupt request is enabled
0 = Interrupt request is not enabled

bit 0 **S12C1IE:** Slave I2C1 Event Interrupt Enable bit

1 = Interrupt request is enabled
0 = Interrupt request is not enabled

Note 1: If an external interrupt is enabled, the interrupt input must also be configured to an available RPn or RPIn pin. See [Section 11.5 “Peripheral Pin Select \(PPS\)”](#) for more information.

PIC24FJ256GA412/GB412 FAMILY

REGISTER 8-16: IEC2: INTERRUPT ENABLE CONTROL REGISTER 2

R/W-0	R/W-0	R/W-0	R/W-0	R/W-0	R/W-0	R/W-0	R/W-0
CCT5IE	DMA4IE	PMIE	CCT4IE	CCT3IE	OC6IE	OC5IE	IC6IE
bit 15							bit 8

R/W-0	R/W-0	R/W-0	R/W-0	R/W-0	R/W-0	R/W-0	R/W-0
IC5IE	IC4IFE	IC3IE	DMA3IFE	CRYROLLIFE	CRYFREEIE	SPI2TXIE	SPI2IE
bit 7							bit 0

Legend:

R = Readable bit W = Writable bit U = Unimplemented bit, read as '0'
 -n = Value at POR '1' = Bit is set '0' = Bit is cleared x = Bit is unknown

- bit 15 **CCT5IE:** SCCP5 Timer Interrupt Enable bit
 1 = Interrupt request is enabled
 0 = Interrupt request is not enabled
- bit 14 **DMA4IE:** DMA Channel 4 Interrupt Enable bit
 1 = Interrupt request is enabled
 0 = Interrupt request is not enabled
- bit 13 **PMIE:** Parallel Master Port Interrupt Enable bit
 1 = Interrupt request is enabled
 0 = Interrupt request is not enabled
- bit 12 **CCT4IE:** SCCP4 Timer Interrupt Enable bit
 1 = Interrupt request is enabled
 0 = Interrupt request is not enabled
- bit 11 **CCT3IE:** SCCP3 Timer Interrupt Enable bit
 1 = Interrupt request is enabled
 0 = Interrupt request is not enabled
- bit 10 **OC6IE:** Output Compare Channel 6 Interrupt Enable bit
 1 = Interrupt request is enabled
 0 = Interrupt request is not enabled
- bit 9 **OC5IE:** Output Compare Channel 5 Interrupt Enable bit
 1 = Interrupt request is enabled
 0 = Interrupt request is not enabled
- bit 8 **IC6IE:** Input Capture Channel 6 Interrupt Enable bit
 1 = Interrupt request is enabled
 0 = Interrupt request is not enabled
- bit 7 **IC5IE:** Input Capture Channel 5 Interrupt Enable bit
 1 = Interrupt request is enabled
 0 = Interrupt request is not enabled
- bit 6 **IC4IE:** Input Capture Channel 4 Interrupt Enable bit
 1 = Interrupt request is enabled
 0 = Interrupt request is not enabled
- bit 5 **IC3IE:** Input Capture Channel 3 Interrupt Enable bit
 1 = Interrupt request is enabled
 0 = Interrupt request is not enabled
- bit 4 **DMA3IE:** DMA Channel 3 Interrupt Enable bit
 1 = Interrupt request is enabled
 0 = Interrupt request is not enabled

PIC24FJ256GA412/GB412 FAMILY

REGISTER 8-16: IEC2: INTERRUPT ENABLE CONTROL REGISTER 2 (CONTINUED)

- bit 3 **CRYROLLIE:** Cryptographic Rollover Interrupt Enable bit
1 = Interrupt request is enabled
0 = Interrupt request is not enabled
- bit 2 **CRYFREEIE:** Cryptographic Buffer Free Interrupt Enable bit
1 = Interrupt request is enabled
0 = Interrupt request is not enabled
- bit 1 **SPI2TXIE:** SPI2 Transmit Interrupt Enable bit
1 = Interrupt request is enabled
0 = Interrupt request is not enabled
- bit 0 **SPI2IE:** SPI2 General Interrupt Enable bit
1 = Interrupt request is enabled
0 = Interrupt request is not enabled

PIC24FJ256GA412/GB412 FAMILY

REGISTER 8-17: IEC3: INTERRUPT ENABLE CONTROL REGISTER 3

R/W-0	R/W-0	R/W-0	R/W-0	R/W-0	R/W-0	R/W-0	R/W-0
CCP1IE	RTCIE	DMA5IE	SPI3RXIE	SPI2RXIE	SPI1RXIE	SPI4RXIE	KEYSTRIE
bit 15							bit 8

R/W-0	R/W-0	R/W-0	U-0	R/W-0	R/W-0	R/W-0	R/W-0
CRYDNIE	INT4IE ⁽¹⁾	INT3IE ⁽¹⁾	—	CCT7IE	MI2C2IE	SI2C2IE	CCT6IE
bit 7							bit 0

Legend:

R = Readable bit	W = Writable bit	U = Unimplemented bit, read as '0'
-n = Value at POR	'1' = Bit is set	'0' = Bit is cleared
		x = Bit is unknown

- bit 15 **CCP1IE:** M CCP1 Capture/Compare Interrupt Enable bit
 1 = Interrupt request is enabled
 0 = Interrupt request is not enabled
- bit 14 **RTCIE:** Real-Time Clock and Calendar Interrupt Enable bit
 1 = Interrupt request is enabled
 0 = Interrupt request is not enabled
- bit 13 **DMA5IE:** DMA Channel 5 Interrupt Enable bit
 1 = Interrupt request is enabled
 0 = Interrupt request is not enabled
- bit 12 **SPI3RXIE:** SPI3 Receive Interrupt Enable bit
 1 = Interrupt request is enabled
 0 = Interrupt request is not enabled
- bit 11 **SPI2RXIE:** SPI2 Receive Interrupt Enable bit
 1 = Interrupt request is enabled
 0 = Interrupt request is not enabled
- bit 10 **SPI1RXIE:** SPI1 Receive Interrupt Enable bit
 1 = Interrupt request is enabled
 0 = Interrupt request is not enabled
- bit 9 **SPI4RXIE:** SPI4 Receive Interrupt Enable bit
 1 = Interrupt request is enabled
 0 = Interrupt request is not enabled
- bit 8 **KEYSTRIE:** Cryptographic Key Store Program Done Interrupt Enable bit
 1 = Interrupt request is enabled
 0 = Interrupt request is not enabled
- bit 7 **CRYDNIE:** Cryptographic Operation Done Interrupt Enable bit
 1 = Interrupt request is enabled
 0 = Interrupt request is not enabled
- bit 6 **INT4IE:** External Interrupt 4 Enable bit⁽¹⁾
 1 = Interrupt request is enabled
 0 = Interrupt request is not enabled
- bit 5 **INT3IE:** External Interrupt 3 Enable bit⁽¹⁾
 1 = Interrupt request is enabled
 0 = Interrupt request is not enabled
- bit 4 **Unimplemented:** Read as '0'

Note 1: If an external interrupt is enabled, the interrupt input must also be configured to an available RPn or RPN pin. See [Section 11.5 “Peripheral Pin Select \(PPS\)”](#) for more information.

PIC24FJ256GA412/GB412 FAMILY

REGISTER 8-17: IEC3: INTERRUPT ENABLE CONTROL REGISTER 3 (CONTINUED)

- bit 3 **CCT7IE:** SCCP7 Timer Interrupt Enable bit
1 = Interrupt request is enabled
0 = Interrupt request is not enabled
- bit 2 **MI2C2IE:** Master I2C2 Event Interrupt Enable bit
1 = Interrupt request is enabled
0 = Interrupt request is not enabled
- bit 1 **SI2C2IE:** Slave I2C2 Event Interrupt Enable bit
1 = Interrupt request is enabled
0 = Interrupt request is not enabled
- bit 0 **CCT6IE:** SCCP6 Timer Interrupt Enable bit
1 = Interrupt request is enabled
0 = Interrupt request is not enabled

Note 1: If an external interrupt is enabled, the interrupt input must also be configured to an available RPn or RPIn pin. See [Section 11.5 “Peripheral Pin Select \(PPS\)”](#) for more information.

PIC24FJ256GA412/GB412 FAMILY

REGISTER 8-18: IEC4: INTERRUPT ENABLE CONTROL REGISTER 4

U-0	R/W-0	R/W-0	U-0	U-0	U-0	R/W-0	R/W-0
—	DAC1IE	CTMUIE	—	—	—	CCP7IE	HLVDIE
bit 15						bit 8	

R/W-0	R/W-0	U-0	U-0	R/W-0	R/W-0	R/W-0	R/W-0
MI2C3IE	SI2C3IE	—	—	CRCIE	U2ERIE	U1ERIE	CCP2IE
bit 7						bit 0	

Legend:

R = Readable bit W = Writable bit U = Unimplemented bit, read as '0'
 -n = Value at POR '1' = Bit is set '0' = Bit is cleared x = Bit is unknown

- bit 15 **Unimplemented:** Read as '0'
- bit 14 **DAC1IE:** DAC Converter Interrupt Enable bit
 1 = Interrupt request is enabled
 0 = Interrupt request is not enabled
- bit 13 **CTMUIE:** CTMU Interrupt Enable bit
 1 = Interrupt request is enabled
 0 = Interrupt request is not enabled
- bit 12-10 **Unimplemented:** Read as '0'
- bit 9 **CCP7IE:** SCCP7 Capture/Compare Interrupt Enable bit
 1 = Interrupt request is enabled
 0 = Interrupt request is not enabled
- bit 8 **HLVDIE:** High/Low-Voltage Detect Interrupt Enable bit
 1 = Interrupt request is enabled
 0 = Interrupt request is not enabled
- bit 7 **MI2C3IE:** Master I2C3 Event Interrupt Enable bit
 1 = Interrupt request is enabled
 0 = Interrupt request is not enabled
- bit 6 **SI2C3IE:** Slave I2C3 Event Interrupt Enable bit
 1 = Interrupt request is enabled
 0 = Interrupt request is not enabled
- bit 5-4 **Unimplemented:** Read as '0'
- bit 3 **CRCIE:** CRC Generator Interrupt Enable bit
 1 = Interrupt request is enabled
 0 = Interrupt request is not enabled
- bit 2 **U2ERIE:** UART2 Error Interrupt Enable bit
 1 = Interrupt request is enabled
 0 = Interrupt request is not enabled
- bit 1 **U1ERIE:** UART1 Error Interrupt Enable bit
 1 = Interrupt request is enabled
 0 = Interrupt request is not enabled
- bit 0 **CCP2IE:** SCCP2 Capture/Compare Interrupt Enable bit
 1 = Interrupt request is enabled
 0 = Interrupt request is not enabled

PIC24FJ256GA412/GB412 FAMILY

REGISTER 8-19: IEC5: INTERRUPT ENABLE CONTROL REGISTER 5

R/W-0	R/W-0	R/W-0	R/W-0	R/W-0	R/W-0	R/W-0	R/W-0
CCP4IE	CCP3IE	SPI4TXIE	SPI4IE	SPI3TXIE	SPI3IE	U4TXIE	U4RXIE
bit 15						bit 8	

R/W-0	R/W-0	R/W-0	R/W-0	R/W-0	R/W-0	R/W-0	U-0
U4ERIE	USB1IE	I2C2BCIE	I2C1BCIFE	U3TXIE	U3RXIE	U3ERIE	—
bit 7							bit 0

Legend:

R = Readable bit W = Writable bit U = Unimplemented bit, read as '0'
 -n = Value at POR '1' = Bit is set '0' = Bit is cleared x = Bit is unknown

bit 15 **CCP4IE:** SCCP4 Capture/Compare Interrupt Enable bit

1 = Interrupt request is enabled
 0 = Interrupt request is not enabled

bit 14 **CCP3IE:** SCCP3 Capture/Compare Interrupt Enable bit

1 = Interrupt request is enabled
 0 = Interrupt request is not enabled

bit 13 **SPI4TXIE:** SPI4 Transmit Interrupt Enable bit

1 = Interrupt request is enabled
 0 = Interrupt request is not enabled

bit 12 **SPI4IE:** SPI4 General Interrupt Enable bit

1 = Interrupt request has occurred
 0 = Interrupt request has not occurred

bit 11 **SPI3TXIE:** SPI3 Transmit Interrupt Enable bit

1 = Interrupt request is enabled
 0 = Interrupt request is not enabled

bit 10 **SPI3IE:** SPI3 General Interrupt Enable bit

1 = Interrupt request is enabled
 0 = Interrupt request is not enabled

bit 9 **U4TXIE:** UART4 Transmitter Interrupt Enable bit

1 = Interrupt request is enabled
 0 = Interrupt request is not enabled

bit 8 **U4RXIE:** UART4 Receiver Interrupt Enable bit

1 = Interrupt request is enabled
 0 = Interrupt request is not enabled

bit 7 **U4ERIE:** UART4 Error Interrupt Enable bit

1 = Interrupt request is enabled
 0 = Interrupt request is not enabled

bit 6 **USB1IE:** USB1 (USB OTG) Interrupt Enable bit

1 = Interrupt request is enabled
 0 = Interrupt request is not enabled

bit 5 **I2C2BCIE:** I2C2 Bus Collision Interrupt Enable bit

1 = Interrupt request is enabled
 0 = Interrupt request is not enabled

bit 4 **I2C1BCIE:** I2C1 Bus Collision Interrupt Enable bit

1 = Interrupt request is enabled
 0 = Interrupt request is not enabled

PIC24FJ256GA412/GB412 FAMILY

REGISTER 8-19: IEC5: INTERRUPT ENABLE CONTROL REGISTER 5 (CONTINUED)

- bit 3 **U3TXIE:** UART3 Transmitter Interrupt Enable bit
 1 = Interrupt request is enabled
 0 = Interrupt request is not enabled
- bit 2 **U3RXIE:** UART3 Receiver Interrupt Enable bit
 1 = Interrupt request is enabled
 0 = Interrupt request is not enabled
- bit 1 **U3ERIE:** UART3 Error Interrupt Enable bit
 1 = Interrupt request is enabled
 0 = Interrupt request is not enabled
- bit 0 **Unimplemented:** Read as '0'

PIC24FJ256GA412/GB412 FAMILY

REGISTER 8-20: IEC6: INTERRUPT ENABLE CONTROL REGISTER 6

R/W-0	R/W-0	R/W-0	U-0	U-0	R/W-0	U-0	U-0
U5RXIE	RTCTSIE	I2C3BCIE	—	—	FSTIE	—	—
bit 15						bit 8	

U-0	R/W-0	R/W-0	R/W-0	R/W-0	R/W-0	R/W-0	R/W-0
—	CCT2IE	CCT1IE	LCDIE	CLC4IE	CLC3IE	CLC2IE	CLC1IE
bit 7						bit 0	

Legend:

R = Readable bit

W = Writable bit

U = Unimplemented bit, read as '0'

-n = Value at POR

'1' = Bit is set

'0' = Bit is cleared

x = Bit is unknown

bit 15 **U5RXIE:** UART5 Receiver Interrupt Enable bit

1 = Interrupt request is enabled

0 = Interrupt request is not enabled

bit 14 **RTCTSIE:** RTCC Timestamp Interrupt Enable bit

1 = Interrupt request is enabled

0 = Interrupt request is not enabled

bit 13 **I2C3BCIE:** I2C3 Bus Collision Interrupt Enable bit

1 = Interrupt request is enabled

0 = Interrupt request is not enabled

bit 12-11 **Unimplemented:** Read as '0'

bit 10 **FSTIE:** FRC Self-Tune Interrupt Enable bit

1 = Interrupt request is enabled

0 = Interrupt request is not enabled

bit 9-7 **Unimplemented:** Read as '0'

bit 6 **CCT2IE:** SCCP2 Timer Interrupt Enable bit

1 = Interrupt request is enabled

0 = Interrupt request is not enabled

bit 5 **CCT1IE:** M CCP1 Timer Interrupt Enable bit

1 = Interrupt request is enabled

0 = Interrupt request is not enabled

bit 4 **LCDIE:** LCD Controller Interrupt Enable bit

1 = Interrupt request is enabled

0 = Interrupt request is not enabled

bit 3 **CLC4IE:** CLC4 Interrupt Enable bit

1 = Interrupt request is enabled

0 = Interrupt request is not enabled

bit 2 **CLC3IE:** CLC3 Interrupt Enable bit

1 = Interrupt request is enabled

0 = Interrupt request is not enabled

bit 1 **CLC2IE:** CLC2 Interrupt Enable bit

1 = Interrupt request is enabled

0 = Interrupt request is not enabled

bit 0 **CLC1IE:** CLC1 Interrupt Enable bit

1 = Interrupt request is enabled

0 = Interrupt request is not enabled

PIC24FJ256GA412/GB412 FAMILY

REGISTER 8-21: IEC7: INTERRUPT ENABLE CONTROL REGISTER 7

U-0	U-0	U-0	U-0	U-0	U-0	U-0	U-0
—	—	—	—	—	—	—	—
bit 15							bit 8

U-0	U-0	R/W-0	R/W-0	R/W-0	R/W-0	R/W-0	R/W-0
—	—	JTAGIE	U6ERIE	U6TXIE	U6RXIE	U5ERIE	U5TXIE
bit 7							bit 0

Legend:

R = Readable bit W = Writable bit U = Unimplemented bit, read as '0'
 -n = Value at POR '1' = Bit is set '0' = Bit is cleared x = Bit is unknown

- bit 15-6 **Unimplemented:** Read as '0'
- bit 5 **JTAGIE:** JTAG Interrupt Enable bit
 - 1 = Interrupt request is enabled
 - 0 = Interrupt request is not enabled
- bit 4 **U6ERIE:** UART6 Error Interrupt Enable bit
 - 1 = Interrupt request has occurred
 - 0 = Interrupt request has not occurred
- bit 3 **U6TXIE:** UART6 Transmitter Interrupt Enable bit
 - 1 = Interrupt request has occurred
 - 0 = Interrupt request has not occurred
- bit 2 **U6RXIE:** UART6 Receiver Interrupt Enable bit
 - 1 = Interrupt request has occurred
 - 0 = Interrupt request has not occurred
- bit 1 **U5ERIE:** UART5 Error Interrupt Enable bit
 - 1 = Interrupt request has occurred
 - 0 = Interrupt request has not occurred
- bit 0 **U5TXIE:** UART5 Transmitter Interrupt Enable bit
 - 1 = Interrupt request has occurred
 - 0 = Interrupt request has not occurred

PIC24FJ256GA412/GB412 FAMILY

REGISTER 8-22: IPC0: INTERRUPT PRIORITY CONTROL REGISTER 0

U-0	R/W-1	R/W-0	R/W-0	U-0	R/W-1	R/W-0	R/W-0
—	T1IP2	T1IP1	T1IP0	—	OC1IP2	OC1IP1	OC1IP0
bit 15							bit 8

U-0	R/W-1	R/W-0	R/W-0	U-0	R/W-1	R/W-0	R/W-0
—	IC1IP2	IC1IP1	IC1IP0	—	INT0IP2	INT0IP1	INT0IP0
bit 7							bit 0

Legend:

R = Readable bit

W = Writable bit

U = Unimplemented bit, read as '0'

-n = Value at POR

'1' = Bit is set

'0' = Bit is cleared

x = Bit is unknown

bit 15 **Unimplemented:** Read as '0'

bit 14-12 **T1IP[2:0]:** Timer1 Interrupt Priority bits

111 = Interrupt is Priority 7 (highest priority interrupt)

•

•

001 = Interrupt is Priority 1

000 = Interrupt source is disabled

bit 11 **Unimplemented:** Read as '0'

bit 10-8 **OC1IP[2:0]:** Output Compare Channel 1 Interrupt Priority bits

111 = Interrupt is Priority 7 (highest priority interrupt)

•

•

001 = Interrupt is Priority 1

000 = Interrupt source is disabled

bit 7 **Unimplemented:** Read as '0'

bit 6-4 **IC1IP[2:0]:** Input Capture Channel 1 Interrupt Priority bits

111 = Interrupt is Priority 7 (highest priority interrupt)

•

•

001 = Interrupt is Priority 1

000 = Interrupt source is disabled

bit 3 **Unimplemented:** Read as '0'

bit 2-0 **INT0IP[2:0]:** External Interrupt 0 Priority bits

111 = Interrupt is Priority 7 (highest priority interrupt)

•

•

001 = Interrupt is Priority 1

000 = Interrupt source is disabled

PIC24FJ256GA412/GB412 FAMILY

REGISTER 8-23: IPC1: INTERRUPT PRIORITY CONTROL REGISTER 1

U-0	R/W-1	R/W-0	R/W-0	U-0	R/W-1	R/W-0	R/W-0
—	T2IP2	T2IP1	T2IP0	—	OC2IP2	OC2IP1	OC2IP0
bit 15				bit 8			

U-0	R/W-1	R/W-0	R/W-0	U-0	R/W-1	R/W-0	R/W-0
—	IC2IP2	IC2IP1	IC2IP0	—	DMA0IP2	DMA0IP1	DMA0IP0
bit 7				bit 0			

Legend:

R = Readable bit

W = Writable bit

U = Unimplemented bit, read as '0'

-n = Value at POR

'1' = Bit is set

'0' = Bit is cleared

x = Bit is unknown

bit 15 **Unimplemented:** Read as '0'

bit 14-12 **T2IP[2:0]:** Timer2 Interrupt Priority bits

111 = Interrupt is Priority 7 (highest priority interrupt)

•

•

•

001 = Interrupt is Priority 1

000 = Interrupt source is disabled

bit 11 **Unimplemented:** Read as '0'

bit 10-8 **OC2IP[2:0]:** Output Compare Channel 2 Interrupt Priority bits

111 = Interrupt is Priority 7 (highest priority interrupt)

•

•

•

001 = Interrupt is Priority 1

000 = Interrupt source is disabled

bit 7 **Unimplemented:** Read as '0'

bit 6-4 **IC2IP[2:0]:** Input Capture Channel 2 Interrupt Priority bits

111 = Interrupt is Priority 7 (highest priority interrupt)

•

•

•

001 = Interrupt is Priority 1

000 = Interrupt source is disabled

bit 3 **Unimplemented:** Read as '0'

bit 2-0 **DMA0IP[2:0]:** DMA Channel 0 Interrupt Priority bits

111 = Interrupt is Priority 7 (highest priority interrupt)

•

•

•

001 = Interrupt is Priority 1

000 = Interrupt source is disabled

PIC24FJ256GA412/GB412 FAMILY

REGISTER 8-24: IPC2: INTERRUPT PRIORITY CONTROL REGISTER 2

U-0	R/W-1	R/W-0	R/W-0	U-0	R/W-1	R/W-0	R/W-0
—	U1RXIP2	U1RXIP1	U1RXIP0	—	SPI1TXIP2	SPI1TXIP1	SPI1TXIP0
bit 15							bit 8

U-0	R/W-1	R/W-0	R/W-0	U-0	R/W-1	R/W-0	R/W-0
—	SPI1IP2	SPI1IP1	SPI1IP0	—	T3IP2	T3IP1	T3IP0
bit 7							bit 0

Legend:

R = Readable bit W = Writable bit U = Unimplemented bit, read as '0'
 -n = Value at POR '1' = Bit is set '0' = Bit is cleared x = Bit is unknown

- bit 15 **Unimplemented:** Read as '0'
- bit 14-12 **U1RXIP[2:0]:** UART1 Receiver Interrupt Priority bits
 - 111 = Interrupt is Priority 7 (highest priority interrupt)
 -
 -
 - 001 = Interrupt is Priority 1
 - 000 = Interrupt source is disabled
- bit 11 **Unimplemented:** Read as '0'
- bit 10-8 **SPI1TXIP[2:0]:** SPI1 Transmit Interrupt Priority bits
 - 111 = Interrupt is Priority 7 (highest priority interrupt)
 -
 -
 - 001 = Interrupt is Priority 1
 - 000 = Interrupt source is disabled
- bit 7 **Unimplemented:** Read as '0'
- bit 6-4 **SPI1IP[2:0]:** SPI1 General Interrupt Priority bits
 - 111 = Interrupt is Priority 7 (highest priority interrupt)
 -
 -
 - 001 = Interrupt is Priority 1
 - 000 = Interrupt source is disabled
- bit 3 **Unimplemented:** Read as '0'
- bit 2-0 **T3IP[2:0]:** Timer3 Interrupt Priority bits
 - 111 = Interrupt is Priority 7 (highest priority interrupt)
 -
 -
 - 001 = Interrupt is Priority 1
 - 000 = Interrupt source is disabled

PIC24FJ256GA412/GB412 FAMILY

REGISTER 8-25: IPC3: INTERRUPT PRIORITY CONTROL REGISTER 3

U-0	R/W-1	R/W-0	R/W-0	U-0	R/W-1	R/W-0	R/W-0
—	NVMIP2	NVMIP1	NVMIP0	—	DMA1IP2	DMA1IP1	DMA1IP0
bit 15						bit 8	

U-0	R/W-1	R/W-0	R/W-0	U-0	R/W-1	R/W-0	R/W-0
—	AD1IP2	AD1IP1	AD1IP0	—	U1TXIP2	U1TXIP1	U1TXIP0
bit 7						bit 0	

Legend:

R = Readable bit W = Writable bit U = Unimplemented bit, read as '0'
 -n = Value at POR '1' = Bit is set '0' = Bit is cleared x = Bit is unknown

- bit 15 **Unimplemented:** Read as '0'
- bit 14-11 **NVMIP[2:0]:** Flash Memory Write/Program Interrupt Priority bits
 - 111 = Interrupt is Priority 7 (highest priority interrupt)
 -
 -
 -
 - 001 = Interrupt is Priority 1
 - 000 = Interrupt source is disabled
- bit 7 **Unimplemented:** Read as '0'
- bit 10-8 **DMA1IP[2:0]:** DMA Channel 1 Interrupt Priority bits
 - 111 = Interrupt is Priority 7 (highest priority interrupt)
 -
 -
 -
 - 001 = Interrupt is Priority 1
 - 000 = Interrupt source is disabled
- bit 7 **Unimplemented:** Read as '0'
- bit 6-4 **AD1IP[2:0]:** 12-Bit Pipeline A/D Interrupt Priority bits
 - 111 = Interrupt is Priority 7 (highest priority interrupt)
 -
 -
 -
 - 001 = Interrupt is Priority 1
 - 000 = Interrupt source is disabled
- bit 3 **Unimplemented:** Read as '0'
- bit 2-0 **U1TXIP[2:0]:** UART1 Transmitter Interrupt Priority bits
 - 111 = Interrupt is Priority 7 (highest priority interrupt)
 -
 -
 -
 - 001 = Interrupt is Priority 1
 - 000 = Interrupt source is disabled

PIC24FJ256GA412/GB412 FAMILY

REGISTER 8-26: IPC4: INTERRUPT PRIORITY CONTROL REGISTER 4

U-0	R/W-1	R/W-0	R/W-0	U-0	R/W-1	R/W-0	R/W-0
—	CNIP2	CNIP1	CNIP0	—	CMIP2	CMIP1	CMIP0
bit 15							bit 8

U-0	R/W-1	R/W-0	R/W-0	U-0	R/W-1	R/W-0	R/W-0
—	MI2C1IP2	MI2C1IP1	MI2C1IP0	—	SI2C1IP2	SI2C1IP1	SI2C1IP0
bit 7							bit 0

Legend:

R = Readable bit W = Writable bit U = Unimplemented bit, read as '0'
 -n = Value at POR '1' = Bit is set '0' = Bit is cleared x = Bit is unknown

- bit 15 **Unimplemented:** Read as '0'
- bit 14-12 **CNIP[2:0]:** Input Change Notification Interrupt Priority bits
 - 111 = Interrupt is Priority 7 (highest priority interrupt)
 -
 -
 - 001 = Interrupt is Priority 1
 - 000 = Interrupt source is disabled
- bit 11 **Unimplemented:** Read as '0'
- bit 10-8 **CMIP[2:0]:** Comparator Interrupt Priority bits
 - 111 = Interrupt is Priority 7 (highest priority interrupt)
 -
 -
 - 001 = Interrupt is Priority 1
 - 000 = Interrupt source is disabled
- bit 7 **Unimplemented:** Read as '0'
- bit 6-4 **MI2C1IP[2:0]:** Master I2C1 Event Interrupt Priority bits
 - 111 = Interrupt is Priority 7 (highest priority interrupt)
 -
 -
 - 001 = Interrupt is Priority 1
 - 000 = Interrupt source is disabled
- bit 3 **Unimplemented:** Read as '0'
- bit 2-0 **SI2C1IP[2:0]:** Slave I2C1 Event Interrupt Priority bits
 - 111 = Interrupt is Priority 7 (highest priority interrupt)
 -
 -
 - 001 = Interrupt is Priority 1
 - 000 = Interrupt source is disabled

PIC24FJ256GA412/GB412 FAMILY

REGISTER 8-27: IPC5: INTERRUPT PRIORITY CONTROL REGISTER 5

U-0	R/W-1	R/W-0	R/W-0	U-0	R/W-1	R/W-0	R/W-0
—	CCP6IP2	CCP6IP1	CCP6IP0	—	CCP5IP2	CCP5IP1	CCP5IP0
bit 15							bit 8

U-0	U-0	U-0	U-0	U-0	R/W-1	R/W-0	R/W-0
—	—	—	—	—	INT1IP2	INT1IP1	INT1IP0
bit 7							bit 0

Legend:

R = Readable bit W = Writable bit U = Unimplemented bit, read as '0'
 -n = Value at POR '1' = Bit is set '0' = Bit is cleared x = Bit is unknown

- bit 15 **Unimplemented:** Read as '0'
- bit 14-12 **CCP6IP[2:0]:** SCCP6 Capture/Compare Interrupt Priority bits
 - 111 = Interrupt is Priority 7 (highest priority interrupt)
 -
 -
 -
 - 001 = Interrupt is Priority 1
 - 000 = Interrupt source is disabled
- bit 11 **Unimplemented:** Read as '0'
- bit 10-8 **CCP5IP[2:0]:** SCCP5 Capture/Compare Interrupt Priority bits
 - 111 = Interrupt is Priority 7 (highest priority interrupt)
 -
 -
 -
 - 001 = Interrupt is Priority 1
 - 000 = Interrupt source is disabled
- bit 7-3 **Unimplemented:** Read as '0'
- bit 2-0 **INT1IP[2:0]:** External Interrupt 1 Priority bits
 - 111 = Interrupt is Priority 7 (highest priority interrupt)
 -
 -
 -
 - 001 = Interrupt is Priority 1
 - 000 = Interrupt source is disabled

PIC24FJ256GA412/GB412 FAMILY

REGISTER 8-28: IPC6: INTERRUPT PRIORITY CONTROL REGISTER 6

U-0	R/W-1	R/W-0	R/W-0	U-0	R/W-1	R/W-0	R/W-0
—	T4IP2	T4IP1	T4IP0	—	OC4IP2	OC4IP1	OC4IP0
bit 15							bit 8

U-0	R/W-1	R/W-0	R/W-0	U-0	R/W-1	R/W-0	R/W-0
—	OC3IP2	OC3IP1	OC3IP0	—	DMA2IP2	DMA2IP1	DMA2IP0
bit 7							bit 0

Legend:

R = Readable bit W = Writable bit U = Unimplemented bit, read as '0'
 -n = Value at POR '1' = Bit is set '0' = Bit is cleared x = Bit is unknown

bit 15 **Unimplemented:** Read as '0'
 bit 14-12 **T4IP[2:0]:** Timer4 Interrupt Priority bits
 111 = Interrupt is Priority 7 (highest priority interrupt)
 •
 •
 •
 001 = Interrupt is Priority 1
 000 = Interrupt source is disabled

bit 11 **Unimplemented:** Read as '0'
 bit 10-8 **OC4IP[2:0]:** Output Compare Channel 4 Interrupt Priority bits
 111 = Interrupt is Priority 7 (highest priority interrupt)
 •
 •
 •
 001 = Interrupt is Priority 1
 000 = Interrupt source is disabled

bit 7 **Unimplemented:** Read as '0'
 bit 6-4 **OC3IP[2:0]:** Output Compare Channel 3 Interrupt Priority bits
 111 = Interrupt is Priority 7 (highest priority interrupt)
 •
 •
 •
 001 = Interrupt is Priority 1
 000 = Interrupt source is disabled

bit 3 **Unimplemented:** Read as '0'
 bit 2-0 **DMA2IP[2:0]:** DMA Channel 2 Interrupt Priority bits
 111 = Interrupt is Priority 7 (highest priority interrupt)
 •
 •
 •
 001 = Interrupt is Priority 1
 000 = Interrupt source is disabled

PIC24FJ256GA412/GB412 FAMILY

REGISTER 8-29: IPC7: INTERRUPT PRIORITY CONTROL REGISTER 7

U-0	R/W-1	R/W-0	R/W-0	U-0	R/W-1	R/W-0	R/W-0
—	U2TXIP2	U2TXIP1	U2TXIP0	—	U2RXIP2	U2RXIP1	U2RXIP0
bit 15							bit 8

U-0	R/W-1	R/W-0	R/W-0	U-0	R/W-1	R/W-0	R/W-0
—	INT2IP2	INT2IP1	INT2IP0	—	T5IP2	T5IP1	T5IP0
bit 7							bit 0

Legend:

R = Readable bit W = Writable bit U = Unimplemented bit, read as '0'
 -n = Value at POR '1' = Bit is set '0' = Bit is cleared x = Bit is unknown

- bit 15 **Unimplemented:** Read as '0'
- bit 14-12 **U2TXIP[2:0]:** UART2 Transmitter Interrupt Priority bits
 - 111 = Interrupt is Priority 7 (highest priority interrupt)
 -
 -
 -
 - 001 = Interrupt is Priority 1
 - 000 = Interrupt source is disabled
- bit 11 **Unimplemented:** Read as '0'
- bit 10-8 **U2RXIP[2:0]:** UART2 Receiver Interrupt Priority bits
 - 111 = Interrupt is Priority 7 (highest priority interrupt)
 -
 -
 -
 - 001 = Interrupt is Priority 1
 - 000 = Interrupt source is disabled
- bit 7 **Unimplemented:** Read as '0'
- bit 6-4 **INT2IP[2:0]:** External Interrupt 2 Priority bits
 - 111 = Interrupt is Priority 7 (highest priority interrupt)
 -
 -
 -
 - 001 = Interrupt is Priority 1
 - 000 = Interrupt source is disabled
- bit 3 **Unimplemented:** Read as '0'
- bit 2-0 **T5IP[2:0]:** Timer5 Interrupt Priority bits
 - 111 = Interrupt is Priority 7 (highest priority interrupt)
 -
 -
 -
 - 001 = Interrupt is Priority 1
 - 000 = Interrupt source is disabled

PIC24FJ256GA412/GB412 FAMILY

REGISTER 8-30: IPC8: INTERRUPT PRIORITY CONTROL REGISTER 8

U-0	R/W-1	R/W-0	R/W-0	U-0	R/W-1	R/W-0	R/W-0
—	CRYROLLIP2	CRYROLLIP1	CRYROLLIP0	—	CRYFREEIP2	CRYFREEIP1	CRYFREEIP0
bit 15							bit 8

U-0	R/W-1	R/W-0	R/W-0	U-0	R/W-1	R/W-0	R/W-0
—	SPI2TXIP2	SPI2TXIP1	SPI2TXIP0	—	SPI2IP2	SPI2IP1	SPI2IP0
bit 7							bit 0

Legend:

R = Readable bit W = Writable bit U = Unimplemented bit, read as '0'
 -n = Value at POR '1' = Bit is set '0' = Bit is cleared x = Bit is unknown

- bit 15 **Unimplemented:** Read as '0'
- bit 14-12 **CRYROLLIP[2:0]:** Cryptographic Rollover Interrupt Priority bits
 - 111 = Interrupt is Priority 7 (highest priority interrupt)
 -
 -
 -
 - 001 = Interrupt is Priority 1
 - 000 = Interrupt source is disabled
- bit 11 **Unimplemented:** Read as '0'
- bit 10-8 **CRYFREEIP[2:0]:** Cryptographic Buffer Free Interrupt Priority bits
 - 111 = Interrupt is Priority 7 (highest priority interrupt)
 -
 -
 -
 - 001 = Interrupt is Priority 1
 - 000 = Interrupt source is disabled
- bit 7 **Unimplemented:** Read as '0'
- bit 6-4 **SPI2TXIP[2:0]:** SPI2 Transmit Interrupt Priority bits
 - 111 = Interrupt is Priority 7 (highest priority interrupt)
 -
 -
 -
 - 001 = Interrupt is Priority 1
 - 000 = Interrupt source is disabled
- bit 3 **Unimplemented:** Read as '0'
- bit 2-0 **SPI2IP[2:0]:** SPI2 General Interrupt Priority bits
 - 111 = Interrupt is Priority 7 (highest priority interrupt)
 -
 -
 -
 - 001 = Interrupt is Priority 1
 - 000 = Interrupt source is disabled

PIC24FJ256GA412/GB412 FAMILY

REGISTER 8-31: IPC9: INTERRUPT PRIORITY CONTROL REGISTER 9

U-0	R/W-1	R/W-0	R/W-0	U-0	R/W-1	R/W-0	R/W-0
—	IC5IP2	IC5IP1	IC5IP0	—	IC4IP2	IC4IP1	IC4IP0
bit 15							bit 8

U-0	R/W-1	R/W-0	R/W-0	U-0	R/W-1	R/W-0	R/W-0
—	IC3IP2	IC3IP1	IC3IP0	—	DMA3IP2	DMA3IP1	DMA3IP0
bit 7							bit 0

Legend:

R = Readable bit

W = Writable bit

U = Unimplemented bit, read as '0'

-n = Value at POR

'1' = Bit is set

'0' = Bit is cleared

x = Bit is unknown

bit 15 **Unimplemented:** Read as '0'

bit 14-12 **IC5IP[2:0]:** Input Capture Channel 5 Interrupt Priority bits

111 = Interrupt is Priority 7 (highest priority interrupt)

•
•
•

001 = Interrupt is Priority 1

000 = Interrupt source is disabled

bit 11 **Unimplemented:** Read as '0'

bit 10-8 **IC4IP[2:0]:** Input Capture Channel 4 Interrupt Priority bits

111 = Interrupt is Priority 7 (highest priority interrupt)

•
•
•

001 = Interrupt is Priority 1

000 = Interrupt source is disabled

bit 7 **Unimplemented:** Read as '0'

bit 6-4 **IC3IP[2:0]:** Input Capture Channel 3 Interrupt Priority bits

111 = Interrupt is Priority 7 (highest priority interrupt)

•
•
•

001 = Interrupt is Priority 1

000 = Interrupt source is disabled

bit 3 **Unimplemented:** Read as '0'

bit 2-0 **DMA3IP[2:0]:** DMA Channel 3 Interrupt Priority bits

111 = Interrupt is Priority 7 (highest priority interrupt)

•
•
•

001 = Interrupt is Priority 1

000 = Interrupt source is disabled

PIC24FJ256GA412/GB412 FAMILY

REGISTER 8-32: IPC10: INTERRUPT PRIORITY CONTROL REGISTER 10

U-0	R/W-1	R/W-0	R/W-0	U-0	R/W-1	R/W-0	R/W-0
—	CCT3IP2	CCT3IP1	CCT3IP0	—	OC6IP2	OC6IP1	OC6IP0
bit 15							bit 8

U-0	R/W-1	R/W-0	R/W-0	U-0	R/W-1	R/W-0	R/W-0
—	OC5IP2	OC5IP1	OC5IP0	—	IC6IP2	IC6IP1	IC6IP0
bit 7							bit 0

Legend:

R = Readable bit

W = Writable bit

U = Unimplemented bit, read as '0'

-n = Value at POR

'1' = Bit is set

'0' = Bit is cleared

x = Bit is unknown

bit 15 **Unimplemented:** Read as '0'

bit 14-12 **CCT3IP[2:0]:** SCCP3 Timer Interrupt Priority bits
 111 = Interrupt is Priority 7 (highest priority interrupt)
 •
 •
 •
 001 = Interrupt is Priority 1
 000 = Interrupt source is disabled

bit 11 **Unimplemented:** Read as '0'

bit 10-8 **OC6IP[2:0]:** Output Compare Channel 6 Interrupt Priority bits
 111 = Interrupt is Priority 7 (highest priority interrupt)
 •
 •
 •
 001 = Interrupt is Priority 1
 000 = Interrupt source is disabled

bit 7 **Unimplemented:** Read as '0'

bit 6-4 **OC5IP[2:0]:** Output Compare Channel 5 Interrupt Priority bits
 111 = Interrupt is Priority 7 (highest priority interrupt)
 •
 •
 •
 001 = Interrupt is Priority 1
 000 = Interrupt source is disabled

bit 3 **Unimplemented:** Read as '0'

bit 2-0 **IC6IP[2:0]:** Input Capture Channel 6 Interrupt Priority bits
 111 = Interrupt is Priority 7 (highest priority interrupt)
 •
 •
 •
 001 = Interrupt is Priority 1
 000 = Interrupt source is disabled

PIC24FJ256GA412/GB412 FAMILY

REGISTER 8-33: IPC11: INTERRUPT PRIORITY CONTROL REGISTER 11

U-0	R/W-1	R/W-0	R/W-0	U-0	R/W-1	R/W-0	R/W-0
—	CCT5IP2	CCT5IP1	CCT5IP0	—	DMA4IP2	DMA4IP1	DMA4IP0
bit 15							bit 8

U-0	R/W-1	R/W-0	R/W-0	U-0	R/W-1	R/W-0	R/W-0
—	PMIP2	PMIP1	PMIP0	—	CCT4IP2	CCT4IP1	CCT4IP0
bit 7							bit 0

Legend:

R = Readable bit W = Writable bit U = Unimplemented bit, read as '0'
 -n = Value at POR '1' = Bit is set '0' = Bit is cleared x = Bit is unknown

- bit 15 **Unimplemented:** Read as '0'
- bit 14-12 **CCT5IP[2:0]:** SCCP5 Timer Interrupt Priority bits
 - 111 = Interrupt is Priority 7 (highest priority interrupt)
 -
 -
 - 001 = Interrupt is Priority 1
 - 000 = Interrupt source is disabled
- bit 10-8 **DMA4IP[2:0]:** DMA Channel 4 Interrupt Priority bits
 - 111 = Interrupt is Priority 7 (highest priority interrupt)
 -
 -
 - 001 = Interrupt is Priority 1
 - 000 = Interrupt source is disabled
- bit 7 **Unimplemented:** Read as '0'
- bit 6-4 **PMIP[2:0]:** Parallel Master Port Interrupt Priority bits
 - 111 = Interrupt is Priority 7 (highest priority interrupt)
 -
 -
 - 001 = Interrupt is Priority 1
 - 000 = Interrupt source is disabled
- bit 3 **Unimplemented:** Read as '0'
- bit 2-0 **CCT4IP[2:0]:** SCCP4 Timer Interrupt Priority bits
 - 111 = Interrupt is Priority 7 (highest priority interrupt)
 -
 -
 - 001 = Interrupt is Priority 1
 - 000 = Interrupt source is disabled

PIC24FJ256GA412/GB412 FAMILY

REGISTER 8-34: IPC12: INTERRUPT PRIORITY CONTROL REGISTER 12

U-0	R/W-1	R/W-0	R/W-0	U-0	R/W-1	R/W-0	R/W-0
—	CCT7IP2	CCT7IP1	CCT7IP0	—	MI2C2IP2	MI2C2IP1	MI2C2IP0
bit 15							bit 8

U-0	R/W-1	R/W-0	R/W-0	U-0	R/W-1	R/W-0	R/W-0
—	SI2C2IP2	SI2C2IP1	SI2C2IP0	—	CCT6IP2	CCT6IP1	CCT6IP0
bit 7							bit 0

Legend:

R = Readable bit W = Writable bit U = Unimplemented bit, read as '0'
 -n = Value at POR '1' = Bit is set '0' = Bit is cleared x = Bit is unknown

- bit 15 **Unimplemented:** Read as '0'
- bit 14-12 **CCT7IP[2:0]:** SCCP7 Timer Interrupt Priority bits
 - 111 = Interrupt is Priority 7 (highest priority interrupt)
 -
 -
 - 001 = Interrupt is Priority 1
 - 000 = Interrupt source is disabled
- bit 11 **Unimplemented:** Read as '0'
- bit 10-8 **MI2C2IP[2:0]:** Master I2C2 Event Interrupt Priority bits
 - 111 = Interrupt is Priority 7 (highest priority interrupt)
 -
 -
 - 001 = Interrupt is Priority 1
 - 000 = Interrupt source is disabled
- bit 7 **Unimplemented:** Read as '0'
- bit 6-4 **SI2C2IP[2:0]:** Slave I2C2 Event Interrupt Priority bits
 - 111 = Interrupt is Priority 7 (highest priority interrupt)
 -
 -
 - 001 = Interrupt is Priority 1
 - 000 = Interrupt source is disabled
- bit 3 **Unimplemented:** Read as '0'
- bit 2-0 **CCT6IP[2:0]:** SCCP6 Timer Interrupt Priority bits
 - 111 = Interrupt is Priority 7 (highest priority interrupt)
 -
 -
 - 001 = Interrupt is Priority 1
 - 000 = Interrupt source is disabled

PIC24FJ256GA412/GB412 FAMILY

REGISTER 8-35: IPC13: INTERRUPT PRIORITY CONTROL REGISTER 13

U-0	R/W-1	R/W-0	R/W-0	U-0	R/W-1	R/W-0	R/W-0
—	CRYDNIP2	CRYDNIP21	CRYDNIP0	—	INT4IP2	INT4IP1	INT4IP0
bit 15						bit 8	

U-0	R/W-1	R/W-0	R/W-0	U-0	U-0	U-0	U-0
—	INT3IP2	INT3IP1	INT3IP0	—	—	—	—
bit 7						bit 0	

Legend:

R = Readable bit	W = Writable bit	U = Unimplemented bit, read as '0'
-n = Value at POR	'1' = Bit is set	'0' = Bit is cleared
		x = Bit is unknown

- bit 15 **Unimplemented:** Read as '0'
- bit 14-12 **CRYDNIP[2:0]:** Cryptographic Operation Done Interrupt Priority bits
 - 111 = Interrupt is Priority 7 (highest priority interrupt)
 -
 -
 -
 - 001 = Interrupt is Priority 1
 - 000 = Interrupt source is disabled
- bit 11 **Unimplemented:** Read as '0'
- bit 10-8 **INT4IP[2:0]:** External Interrupt 4 Priority bits
 - 111 = Interrupt is Priority 7 (highest priority interrupt)
 -
 -
 -
 - 001 = Interrupt is Priority 1
 - 000 = Interrupt source is disabled
- bit 7 **Unimplemented:** Read as '0'
- bit 6-4 **INT3IP[2:0]:** External Interrupt 3 Priority bits
 - 111 = Interrupt is Priority 7 (highest priority interrupt)
 -
 -
 -
 - 001 = Interrupt is Priority 1
 - 000 = Interrupt source is disabled
- bit 3-0 **Unimplemented:** Read as '0'

PIC24FJ256GA412/GB412 FAMILY

REGISTER 8-36: IPC14: INTERRUPT PRIORITY CONTROL REGISTER 14

U-0	R/W-1	R/W-0	R/W-0	U-0	R/W-1	R/W-0	R/W-0
—	SPI2RXIP2	SPI2RXIP1	SPI2RXIP0	—	SPI1RXIP2	SPI1RXIP1	SPI1RXIP0
bit 15							bit 8

U-0	R/W-1	R/W-0	R/W-0	U-0	R/W-1	R/W-0	R/W-0
—	SPI4RXIP2	SPI4RXIP1	SPI4RXIP0	—	KEYSTRIP2	KEYSTRIP1	KEYSTRIP0
bit 7							bit 0

Legend:

R = Readable bit W = Writable bit U = Unimplemented bit, read as '0'
 -n = Value at POR '1' = Bit is set '0' = Bit is cleared x = Bit is unknown

- bit 15 **Unimplemented:** Read as '0'
- bit 14-12 **SPI2RXIP[2:0]:** SPI2 Receive Interrupt Priority bits
 - 111 = Interrupt is Priority 7 (highest priority interrupt)
 -
 -
 - 001 = Interrupt is Priority 1
 - 000 = Interrupt source is disabled
- bit 11 **Unimplemented:** Read as '0'
- bit 10-8 **SPI1RXIP[2:0]:** SPI1 Receive Interrupt Priority bits
 - 111 = Interrupt is Priority 7 (highest priority interrupt)
 -
 -
 - 001 = Interrupt is Priority 1
 - 000 = Interrupt source is disabled
- bit 7 **Unimplemented:** Read as '0'
- bit 6-4 **SPI4RXIP[2:0]:** SPI4 Receive Interrupt Priority bits
 - 111 = Interrupt is Priority 7 (highest priority interrupt)
 -
 -
 - 001 = Interrupt is Priority 1
 - 000 = Interrupt source is disabled
- bit 3 **Unimplemented:** Read as '0'
- bit 2-0 **KEYSTRIP[2:0]:** Cryptographic Key Store Program Done Interrupt Priority bits
 - 111 = Interrupt is Priority 7 (highest priority interrupt)
 -
 -
 - 001 = Interrupt is Priority 1
 - 000 = Interrupt source is disabled

PIC24FJ256GA412/GB412 FAMILY

REGISTER 8-37: IPC15: INTERRUPT PRIORITY CONTROL REGISTER 15

U-0	R/W-1	R/W-0	R/W-0	U-0	R/W-1	R/W-0	R/W-0
—	CCP1IP2	CCP1IP1	CCP1IP0	—	RTCIP2	RTCIP1	RTCIP0
bit 15							bit 8

U-0	R/W-1	R/W-0	R/W-0	U-0	R/W-1	R/W-0	R/W-0
—	DMA5IP2	DMA5IP1	DMA5IP0	—	SPI3RXIP2	SPI3RXIP1	SPI3RXIP0
bit 7							bit 0

Legend:

R = Readable bit W = Writable bit U = Unimplemented bit, read as '0'
 -n = Value at POR '1' = Bit is set '0' = Bit is cleared x = Bit is unknown

- bit 15 **Unimplemented:** Read as '0'
- bit 14-12 **CCP1IP[2:0]:** MCCP1 Capture/Compare Interrupt Priority bits
 - 111 = Interrupt is Priority 7 (highest priority interrupt)
 -
 -
 -
 - 001 = Interrupt is Priority 1
 - 000 = Interrupt source is disabled
- bit 11 **Unimplemented:** Read as '0'
- bit 10-8 **RTCIP[2:0]:** Real-Time Clock and Calendar Interrupt Priority bits
 - 111 = Interrupt is Priority 7 (highest priority interrupt)
 -
 -
 -
 - 001 = Interrupt is Priority 1
 - 000 = Interrupt source is disabled
- bit 7 **Unimplemented:** Read as '0'
- bit 6-4 **DMA5IP[2:0]:** DMA Channel 5 Interrupt Priority bits
 - 111 = Interrupt is Priority 7 (highest priority interrupt)
 -
 -
 -
 - 001 = Interrupt is Priority 1
 - 000 = Interrupt source is disabled
- bit 3 **Unimplemented:** Read as '0'
- bit 2-0 **SPI3RXIP[2:0]:** SPI3 Receive Interrupt Priority bits
 - 111 = Interrupt is Priority 7 (highest priority interrupt)
 -
 -
 -
 - 001 = Interrupt is Priority 1
 - 000 = Interrupt source is disabled

PIC24FJ256GA412/GB412 FAMILY

REGISTER 8-38: IPC16: INTERRUPT PRIORITY CONTROL REGISTER 16

U-0	R/W-1	R/W-0	R/W-0	U-0	R/W-1	R/W-0	R/W-0
—	CRCIP2	CRCIP1	CRCIP0	—	U2ERIP2	U2ERIP1	U2ERIP0
bit 15							bit 8

U-0	R/W-1	R/W-0	R/W-0	U-0	R/W-1	R/W-0	R/W-0
—	U1ERIP2	U1ERIP1	U1ERIP0	—	CCP2IP2	CCP2IP1	CCP2IP0
bit 7							bit 0

Legend:

R = Readable bit W = Writable bit U = Unimplemented bit, read as '0'
 -n = Value at POR '1' = Bit is set '0' = Bit is cleared x = Bit is unknown

bit 15 **Unimplemented:** Read as '0'
 bit 14-12 **CRCIP[2:0]:** CRC Generator Error Interrupt Priority bits
 111 = Interrupt is Priority 7 (highest priority interrupt)
 •
 •
 001 = Interrupt is Priority 1
 000 = Interrupt source is disabled

bit 11 **Unimplemented:** Read as '0'
 bit 10-8 **U2ERIP[2:0]:** UART2 Error Interrupt Priority bits
 111 = Interrupt is Priority 7 (highest priority interrupt)
 •
 •
 001 = Interrupt is Priority 1
 000 = Interrupt source is disabled

bit 7 **Unimplemented:** Read as '0'
 bit 6-4 **U1ERIP[2:0]:** UART1 Error Interrupt Priority bits
 111 = Interrupt is Priority 7 (highest priority interrupt)
 •
 •
 001 = Interrupt is Priority 1
 000 = Interrupt source is disabled

bit 3 **Unimplemented:** Read as '0'
 bit 2-0 **CCP2IP[2:0]:** SCCP2 Capture/Compare Interrupt Priority bits
 111 = Interrupt is Priority 7 (highest priority interrupt)
 •
 •
 001 = Interrupt is Priority 1
 000 = Interrupt source is disabled

PIC24FJ256GA412/GB412 FAMILY

REGISTER 8-39: IPC17: INTERRUPT PRIORITY CONTROL REGISTER 17

U-0	R/W-1	R/W-0	R/W-0	U-0	R/W-1	R/W-0	R/W-0
—	MI2C3IP2	MI2C3IP1	MI2C3IP0	—	SI2C3IP2	SI2C3IP1	SI2C3IP0
bit 15							bit 8

U-0	U-0	U-0	U-0	U-0	U-0	U-0	U-0
—	—	—	—	—	—	—	—
bit 7							bit 0

Legend:

R = Readable bit W = Writable bit U = Unimplemented bit, read as '0'
 -n = Value at POR '1' = Bit is set '0' = Bit is cleared x = Bit is unknown

- bit 15 **Unimplemented:** Read as '0'
- bit 14-12 **MI2C3IP[2:0]:** Master I2C3 Event Interrupt Priority bits
 - 111 = Interrupt is Priority 7 (highest priority interrupt)
 -
 -
 -
 - 001 = Interrupt is Priority 1
 - 000 = Interrupt source is disabled
- bit 11 **Unimplemented:** Read as '0'
- bit 10-8 **SI2C3IP[2:0]:** Slave I2C3 Event Interrupt Priority bits
 - 111 = Interrupt is Priority 7 (highest priority interrupt)
 -
 -
 -
 - 001 = Interrupt is Priority 1
 - 000 = Interrupt source is disabled
- bit 7-0 **Unimplemented:** Read as '0'

PIC24FJ256GA412/GB412 FAMILY

REGISTER 8-40: IPC18: INTERRUPT PRIORITY CONTROL REGISTER 18

U-0	U-0	U-0	U-0	U-0	U-0	U-0	U-0
—	—	—	—	—	—	—	—
bit 15						bit 8	

U-0	R/W-1	R/W-0	R/W-0	U-0	R/W-1	R/W-0	R/W-0
—	CCP7IP2	CCP7IP1	CCP7IP0	—	HLVDIP2	HLVDIP1	HLVDIP0
bit 7						bit 0	

Legend:

R = Readable bit W = Writable bit U = Unimplemented bit, read as '0'
 -n = Value at POR '1' = Bit is set '0' = Bit is cleared x = Bit is unknown

- bit 15-7 **Unimplemented:** Read as '0'
- bit 6-4 **CCP7IP[2:0]:** SCCP7 Capture/Compare Interrupt Priority bits
 - 111 = Interrupt is Priority 7 (highest priority interrupt)
 -
 -
 -
 - 001 = Interrupt is Priority 1
 - 000 = Interrupt source is disabled
- bit 3 **Unimplemented:** Read as '0'
- bit 2-0 **HLVDIP[2:0]:** High/Low-Voltage Detect Interrupt Priority bits
 - 111 = Interrupt is Priority 7 (highest priority interrupt)
 -
 -
 -
 - 001 = Interrupt is Priority 1
 - 000 = Interrupt source is disabled

PIC24FJ256GA412/GB412 FAMILY

REGISTER 8-41: IPC19: INTERRUPT PRIORITY CONTROL REGISTER 19

U-0	U-0	U-0	U-0	U-0	R/W-1	R/W-0	R/W-0
—	—	—	—	—	DAC1IP2	DAC1IP1	DAC1IP0
bit 15						bit 8	

U-0	R/W-1	R/W-0	R/W-0	U-0	U-0	U-0	U-0
—	CTMUIP2	CTMUIP1	CTMUIP0	—	—	—	—
bit 7						bit 0	

Legend:

R = Readable bit W = Writable bit U = Unimplemented bit, read as '0'
 -n = Value at POR '1' = Bit is set '0' = Bit is cleared x = Bit is unknown

- bit 15-11 **Unimplemented:** Read as '0'
- bit 10-8 **DAC1IP[2:0]:** DAC Converter Interrupt Priority bits
 - 111 = Interrupt is Priority 7 (highest priority interrupt)
 -
 -
 -
 - 001 = Interrupt is Priority 1
 - 000 = Interrupt source is disabled
- bit 7 **Unimplemented:** Read as '0'
- bit 6-4 **CTMUIP[2:0]:** CTMU Interrupt Priority bits
 - 111 = Interrupt is Priority 7 (highest priority interrupt)
 -
 -
 -
 - 001 = Interrupt is Priority 1
 - 000 = Interrupt source is disabled
- bit 3-0 **Unimplemented:** Read as '0'

PIC24FJ256GA412/GB412 FAMILY

REGISTER 8-42: IPC20: INTERRUPT PRIORITY CONTROL REGISTER 20

U-0	R/W-1	R/W-0	R/W-0	U-0	R/W-1	R/W-0	R/W-0
—	U3TXIP2	U3TXIP1	U3TXIP0	—	U3RXIP2	U3RXIP1	U3RXIP0
bit 15				bit 8			

U-0	R/W-1	R/W-0	R/W-0	U-0	U-0	U-0	U-0
—	U3ERIP2	U3ERIP1	U3ERIP0	—	—	—	—
bit 7				bit 0			

Legend:

R = Readable bit

W = Writable bit

U = Unimplemented bit, read as '0'

-n = Value at POR

'1' = Bit is set

'0' = Bit is cleared

x = Bit is unknown

- bit 15 **Unimplemented:** Read as '0'
- bit 14-12 **U3TXIP[2:0]:** UART3 Transmitter Interrupt Priority bits
 111 = Interrupt is Priority 7 (highest priority interrupt)
 .
 .
 .
 001 = Interrupt is Priority 1
 000 = Interrupt source is disabled
- bit 11 **Unimplemented:** Read as '0'
- bit 10-8 **U3RXIP[2:0]:** UART3 Receiver Interrupt Priority bits
 111 = Interrupt is Priority 7 (highest priority interrupt)
 .
 .
 .
 001 = Interrupt is Priority 1
 000 = Interrupt source is disabled
- bit 7 **Unimplemented:** Read as '0'
- bit 6-4 **U3ERIP[2:0]:** UART3 Error Interrupt Priority bits
 111 = Interrupt is Priority 7 (highest priority interrupt)
 .
 .
 .
 001 = Interrupt is Priority 1
 000 = Interrupt source is disabled
- bit 3-0 **Unimplemented:** Read as '0'

PIC24FJ256GA412/GB412 FAMILY

REGISTER 8-43: IPC21: INTERRUPT PRIORITY CONTROL REGISTER 21

U-0	R/W-1	R/W-0	R/W-0	U-0	R/W-1	R/W-0	R/W-0
—	U4ERIP2	U4ERIP1	U4ERIP0	—	USB1IP2	USB1IP1	USB1IP0
bit 15							bit 8

U-0	R/W-1	R/W-0	R/W-0	U-0	R/W-1	R/W-0	R/W-0
—	I2C2BCIP2	I2C2BCIP1	I2C2BCIP0	—	I2C1BCIP2	I2C1BCIP1	I2C1BCIP0
bit 7							bit 0

Legend:

R = Readable bit W = Writable bit U = Unimplemented bit, read as '0'
 -n = Value at POR '1' = Bit is set '0' = Bit is cleared x = Bit is unknown

- bit 15 **Unimplemented:** Read as '0'
- bit 14-12 **U4ERIP[2:0]:** UART4 Error Interrupt Priority bits
 - 111 = Interrupt is Priority 7 (highest priority interrupt)
 -
 -
 -
 - 001 = Interrupt is Priority 1
 - 000 = Interrupt source is disabled
- bit 11 **Unimplemented:** Read as '0'
- bit 10-8 **USB1IP[2:0]:** USB1 (USB OTG) Interrupt Priority bits
 - 111 = Interrupt is Priority 7 (highest priority interrupt)
 -
 -
 -
 - 001 = Interrupt is Priority 1
 - 000 = Interrupt source is disabled
- bit 7 **Unimplemented:** Read as '0'
- bit 6-4 **I2C2BCIP[2:0]:** I2C2 Bus Collision Interrupt Priority bits
 - 111 = Interrupt is Priority 7 (highest priority interrupt)
 -
 -
 -
 - 001 = Interrupt is Priority 1
 - 000 = Interrupt source is disabled
- bit 3 **Unimplemented:** Read as '0'
- bit 2-0 **I2C1BCIP[2:0]:** I2C1 Bus Collision Interrupt Priority bits
 - 111 = Interrupt is Priority 7 (highest priority interrupt)
 -
 -
 -
 - 001 = Interrupt is Priority 1
 - 000 = Interrupt source is disabled

PIC24FJ256GA412/GB412 FAMILY

REGISTER 8-44: IPC22: INTERRUPT PRIORITY CONTROL REGISTER 22

U-0	R/W-1	R/W-0	R/W-0	U-0	R/W-1	R/W-0	R/W-0
—	SPI3TXIP2	SPI3TXIP1	SPI3TXIP0	—	SPI3IP2	SPI3IP1	SPI3IP0
bit 15				bit 8			

U-0	R/W-1	R/W-0	R/W-0	U-0	R/W-1	R/W-0	R/W-0
—	U4TXIP2	U4TXIP1	U4TXIP0	—	U4RXIP2	U4RXIP1	U4RXIP0
bit 7				bit 0			

Legend:

R = Readable bit

W = Writable bit

U = Unimplemented bit, read as '0'

-n = Value at POR

'1' = Bit is set

'0' = Bit is cleared

x = Bit is unknown

- bit 15 **Unimplemented:** Read as '0'
- bit 14-12 **SPI3TXIP[2:0]:** SPI3 Transmit Interrupt Priority bits
 111 = Interrupt is Priority 7 (highest priority interrupt)
 •
 •
 •
 001 = Interrupt is Priority 1
 000 = Interrupt source is disabled
- bit 11 **Unimplemented:** Read as '0'
- bit 10-8 **SPI3IP[2:0]:** SPI3 General Interrupt Priority bits
 111 = Interrupt is Priority 7 (highest priority interrupt)
 •
 •
 •
 001 = Interrupt is Priority 1
 000 = Interrupt source is disabled
- bit 7 **Unimplemented:** Read as '0'
- bit 6-4 **U4TXIP[2:0]:** UART4 Transmitter Interrupt Priority bits
 111 = Interrupt is Priority 7 (highest priority interrupt)
 •
 •
 •
 001 = Interrupt is Priority 1
 000 = Interrupt source is disabled
- bit 3 **Unimplemented:** Read as '0'
- bit 2-0 **U4RXIP[2:0]:** UART4 Receiver Interrupt Priority bits
 111 = Interrupt is Priority 7 (highest priority interrupt)
 •
 •
 •
 001 = Interrupt is Priority 1
 000 = Interrupt source is disabled

PIC24FJ256GA412/GB412 FAMILY

REGISTER 8-45: IPC23: INTERRUPT PRIORITY CONTROL REGISTER 23

U-0	R/W-1	R/W-0	R/W-0	U-0	R/W-1	R/W-0	R/W-0
—	CCP4IP2	CCP4IP1	CCP4IP0	—	CCP3IP2	CCP3IP1	CCP3IP0
bit 15							bit 8

U-0	R/W-1	R/W-0	R/W-0	U-0	R/W-1	R/W-0	R/W-0
—	SPI4TXIP2	SPI4TXIP1	SPI4TXIP0	—	SPI4IP2	SPI4IP1	SPI4IP0
bit 7							bit 0

Legend:

R = Readable bit W = Writable bit U = Unimplemented bit, read as '0'
 -n = Value at POR '1' = Bit is set '0' = Bit is cleared x = Bit is unknown

- bit 15 **Unimplemented:** Read as '0'
- bit 14-12 **CCP4IP[2:0]:** SCCP4 Capture/Compare Interrupt Priority bits
 - 111 = Interrupt is Priority 7 (highest priority interrupt)
 -
 -
 -
 - 001 = Interrupt is Priority 1
 - 000 = Interrupt source is disabled
- bit 11 **Unimplemented:** Read as '0'
- bit 10-8 **CCP3IP[2:0]:** SCCP3 Capture/Compare Interrupt Priority bits
 - 111 = Interrupt is Priority 7 (highest priority interrupt)
 -
 -
 -
 - 001 = Interrupt is Priority 1
 - 000 = Interrupt source is disabled
- bit 7 **Unimplemented:** Read as '0'
- bit 6-4 **SPI4TXIP[2:0]:** SPI4 Transmit Interrupt Priority bits
 - 111 = Interrupt is Priority 7 (highest priority interrupt)
 -
 -
 -
 - 001 = Interrupt is Priority 1
 - 000 = Interrupt source is disabled
- bit 3 **Unimplemented:** Read as '0'
- bit 2-0 **SPI4IP[2:0]:** SPI4 General Interrupt Priority bits
 - 111 = Interrupt is Priority 7 (highest priority interrupt)
 -
 -
 -
 - 001 = Interrupt is Priority 1
 - 000 = Interrupt source is disabled

PIC24FJ256GA412/GB412 FAMILY

REGISTER 8-46: IPC24: INTERRUPT PRIORITY CONTROL REGISTER 24

U-0	R/W-1	R/W-0	R/W-0	U-0	R/W-1	R/W-0	R/W-0
—	CLC4IP2	CLC4IP1	CLC4IP0	—	CLC3IP2	CLC3IP1	CLC3IP0
bit 15						bit 8	

U-0	R/W-1	R/W-0	R/W-0	U-0	R/W-1	R/W-0	R/W-0
—	CLC2IP2	CLC2IP1	CLC2IP0	—	CLC1IP2	CLC1IP1	CLC1IP0
bit 7						bit 0	

Legend:

R = Readable bit

W = Writable bit

U = Unimplemented bit, read as '0'

-n = Value at POR

'1' = Bit is set

'0' = Bit is cleared

x = Bit is unknown

- bit 15 **Unimplemented:** Read as '0'
- bit 14-12 **CLC4IP[2:0]:** CLC4 Interrupt Priority bits
 111 = Interrupt is Priority 7 (highest priority interrupt)
 .
 .
 .
 001 = Interrupt is Priority 1
 000 = Interrupt source is disabled
- bit 11 **Unimplemented:** Read as '0'
- bit 10-8 **CLC3IP[2:0]:** CLC3 Interrupt Priority bits
 111 = Interrupt is Priority 7 (highest priority interrupt)
 .
 .
 .
 001 = Interrupt is Priority 1
 000 = Interrupt source is disabled
- bit 7 **Unimplemented:** Read as '0'
- bit 6-4 **CLC2IP[2:0]:** CLC2 Interrupt Priority bits
 111 = Interrupt is Priority 7 (highest priority interrupt)
 .
 .
 .
 001 = Interrupt is Priority 1
 000 = Interrupt source is disabled
- bit 3 **Unimplemented:** Read as '0'
- bit 2-0 **CLC1IP[2:0]:** CLC1 Interrupt Priority bits
 111 = Interrupt is Priority 7 (highest priority interrupt)
 .
 .
 .
 001 = Interrupt is Priority 1
 000 = Interrupt source is disabled

PIC24FJ256GA412/GB412 FAMILY

REGISTER 8-47: IPC25: INTERRUPT PRIORITY CONTROL REGISTER 25

U-0	U-0	U-0	U-0	U-0	R/W-1	R/W-0	R/W-0
—	—	—	—	—	CCT2IP2	CCT2IP1	CCT2IP0
bit 15						bit 8	

U-0	R/W-1	R/W-0	R/W-0	U-0	R/W-1	R/W-0	R/W-0
—	CCT1IP2	CCT1IP1	CCT1IP0	—	LCDIP2	LCDIP1	LCDIP0
bit 7						bit 0	

Legend:

R = Readable bit W = Writable bit U = Unimplemented bit, read as '0'
 -n = Value at POR '1' = Bit is set '0' = Bit is cleared x = Bit is unknown

- bit 15-11 **Unimplemented:** Read as '0'
- bit 10-8 **CCT2IP[2:0]:** SCCP2 Timer Interrupt Priority bits
 - 111 = Interrupt is Priority 7 (highest priority interrupt)
 -
 -
 -
 - 001 = Interrupt is Priority 1
 - 000 = Interrupt source is disabled
- bit 7 **Unimplemented:** Read as '0'
- bit 6-4 **CCT1IP[2:0]:** M CCP1 Timer Interrupt Priority bits
 - 111 = Interrupt is Priority 7 (highest priority interrupt)
 -
 -
 -
 - 001 = Interrupt is Priority 1
 - 000 = Interrupt source is disabled
- bit 3 **Unimplemented:** Read as '0'
- bit 2-0 **LCDIP[2:0]:** LCD Controller Interrupt Priority bits
 - 111 = Interrupt is Priority 7 (highest priority interrupt)
 -
 -
 -
 - 001 = Interrupt is Priority 1
 - 000 = Interrupt source is disabled

PIC24FJ256GA412/GB412 FAMILY

REGISTER 8-48: IPC26: INTERRUPT PRIORITY CONTROL REGISTER 26

U-0	U-0	U-0	U-0	U-0	R/W-1	R/W-0	R/W-0
—	—	—	—	—	FSTIP2	FSTIP1	FSTIP0
bit 15						bit 8	

U-0	U-0	U-0	U-0	U-0	U-0	U-0	U-0
—	—	—	—	—	—	—	—
bit 7						bit 0	

Legend:

R = Readable bit	W = Writable bit	U = Unimplemented bit, read as '0'
-n = Value at POR	'1' = Bit is set	'0' = Bit is cleared x = Bit is unknown

bit 15-11 **Unimplemented:** Read as '0'

bit 10-8 **FSTIP[2:0]:** FRC Self-Tune Interrupt Priority bits
 111 = Interrupt is Priority 7 (highest priority interrupt)
 •
 •
 •
 001 = Interrupt is Priority 1
 000 = Interrupt source is disabled

bit 7-0 **Unimplemented:** Read as '0'

PIC24FJ256GA412/GB412 FAMILY

REGISTER 8-49: IPC27: INTERRUPT PRIORITY CONTROL REGISTER 27

U-0	R/W-1	R/W-0	R/W-0	U-0	R/W-1	R/W-0	R/W-0
—	U5RXIP2	U5RXIP1	U5RXIP0	—	RTCTSIP2	RTCTSIP1	RTCTSIP0
bit 15							bit 8

U-0	R/W-1	R/W-0	R/W-0	U-0	U-0	U-0	U-0
—	I2C3BCIP2	I2C3BCIP1	I2C3BCIP0	—	—	—	—
bit 7							bit 0

Legend:

R = Readable bit W = Writable bit U = Unimplemented bit, read as '0'
 -n = Value at POR '1' = Bit is set '0' = Bit is cleared x = Bit is unknown

- bit 15 **Unimplemented:** Read as '0'
- bit 14-12 **U5RXIP[2:0]:** UART5 Receiver Interrupt Priority bits
 - 111 = Interrupt is Priority 7 (highest priority interrupt)
 -
 -
 -
 - 001 = Interrupt is Priority 1
 - 000 = Interrupt source is disabled
- bit 1 **Unimplemented:** Read as '0'
- bit 10-8 **RTCTSIP[2:0]:** RTCC Timestamp Interrupt Priority bits
 - 111 = Interrupt is Priority 7 (highest priority interrupt)
 -
 -
 -
 - 001 = Interrupt is Priority 1
 - 000 = Interrupt source is disabled
- bit 7 **Unimplemented:** Read as '0'
- bit 6-4 **I2C3BCIP[2:0]:** I2C3 Bus Collision Interrupt Priority bits
 - 111 = Interrupt is Priority 7 (highest priority interrupt)
 -
 -
 -
 - 001 = Interrupt is Priority 1
 - 000 = Interrupt source is disabled
- bit 3-0 **Unimplemented:** Read as '0'

PIC24FJ256GA412/GB412 FAMILY

REGISTER 8-50: IPC28: INTERRUPT PRIORITY CONTROL REGISTER 28

U-0	R/W-1	R/W-0	R/W-0	U-0	R/W-1	R/W-0	R/W-0
—	U6TXIP2	U6TXIP1	U6TXIP0	—	U6RXIP2	U6RXIP1	U6RXIP0
bit 15				bit 8			

U-0	R/W-1	R/W-0	R/W-0	U-0	R/W-1	R/W-0	R/W-0
—	U5ERIP2	U5ERIP1	U5ERIP0	—	U5TXIP2	U5TXIP1	U5TXIP0
bit 7				bit 0			

Legend:

R = Readable bit W = Writable bit U = Unimplemented bit, read as '0'
 -n = Value at POR '1' = Bit is set '0' = Bit is cleared x = Bit is unknown

- bit 15 **Unimplemented:** Read as '0'
- bit 14-12 **U6TXIP[2:0]:** UART6 Transmitter Interrupt Priority bits
 - 111 = Interrupt is Priority 7 (highest priority interrupt)
 -
 -
 -
 - 001 = Interrupt is Priority 1
 - 000 = Interrupt source is disabled
- bit 11 **Unimplemented:** Read as '0'
- bit 10-8 **U6RXIP[2:0]:** UART6 Receiver Interrupt Priority bits
 - 111 = Interrupt is Priority 7 (highest priority interrupt)
 -
 -
 -
 - 001 = Interrupt is Priority 1
 - 000 = Interrupt source is disabled
- bit 7 **Unimplemented:** Read as '0'
- bit 6-4 **U5ERIP[2:0]:** UART5 Error Interrupt Priority bits
 - 111 = Interrupt is Priority 7 (highest priority interrupt)
 -
 -
 -
 - 001 = Interrupt is Priority 1
 - 000 = Interrupt source is disabled
- bit 3 **Unimplemented:** Read as '0'
- bit 2-0 **U5TXIP[2:0]:** UART5 Transmitter Interrupt Priority bits
 - 111 = Interrupt is Priority 7 (highest priority interrupt)
 -
 -
 -
 - 001 = Interrupt is Priority 1
 - 000 = Interrupt source is disabled

PIC24FJ256GA412/GB412 FAMILY

REGISTER 8-51: IPC29: INTERRUPT PRIORITY CONTROL REGISTER 29

U-0	U-0	U-0	U-0	U-0	U-0	U-0	U-0
—	—	—	—	—	—	—	—
bit 15						bit 8	

U-0	R/W-1	R/W-0	R/W-0	U-0	R/W-1	R/W-0	R/W-0
—	JTAGIP2	JTAGIP1	JTAGIP0	—	U6ERIP2	U6ERIP1	U6ERIP0
bit 7						bit 0	

Legend:

R = Readable bit W = Writable bit U = Unimplemented bit, read as '0'
 -n = Value at POR '1' = Bit is set '0' = Bit is cleared x = Bit is unknown

- bit 15-7 **Unimplemented:** Read as '0'
- bit 6-4 **JTAGIP[2:0]:** JTAG Interrupt Priority bits
 - 111 = Interrupt is Priority 7 (highest priority interrupt)
 -
 -
 -
 - 001 = Interrupt is Priority 1
 - 000 = Interrupt source is disabled
- bit 3 **Unimplemented:** Read as '0'
- bit 2-0 **U6ERIP[2:0]:** UART6 Error Interrupt Priority bits
 - 111 = Interrupt is Priority 7 (highest priority interrupt)
 -
 -
 -
 - 001 = Interrupt is Priority 1
 - 000 = Interrupt source is disabled

PIC24FJ256GA412/GB412 FAMILY

REGISTER 8-52: INTTREG: INTERRUPT CONTROLLER TEST REGISTER

R-0	r-0	R/W-0	U-0	R-0	R-0	R-0	R-0
CPUIRQ	—	VHOLD	—	ILR3	ILR2	ILR1	ILR0
bit 15							bit 8

U-0	R-0	R-0	R-0	R-0	R-0	R-0	R-0
—	VECNUM[6:0]						—
bit 7							bit 0

Legend:	r = Reserved bit		
R = Readable bit	W = Writable bit	U = Unimplemented bit, read as '0'	
-n = Value at POR	'1' = Bit is set	'0' = Bit is cleared	x = Bit is unknown

- bit 15 **CPUIRQ:** Interrupt Request from Interrupt Controller CPU bit
 1 = An interrupt request has occurred but has not yet been Acknowledged by the CPU; this happens when the CPU priority is higher than the interrupt priority
 0 = No interrupt request is unacknowledged
- bit 14 **Reserved:** Maintain as '0'
- bit 13 **VHOLD:** Vector Number Capture Configuration bit
 1 = VECNUM[6:0] bits contain the value of the highest priority pending interrupt
 0 = VECNUM[6:0] bits contain the value of the last Acknowledged interrupt (i.e., the last interrupt that has occurred with higher priority than the CPU, even if other interrupts are pending)
- bit 12 **Unimplemented:** Read as '0'
- bit 11-8 **ILR[3:0]:** New CPU Interrupt Priority Level bits
 1111 = CPU Interrupt Priority Level is 15
 •
 •
 •
 0001 = CPU Interrupt Priority Level is 1
 0000 = CPU Interrupt Priority Level is 0
- bit 7 **Unimplemented:** Read as '0'
- bit 6-0 **VECNUM[6:0]:** Vector Number of Pending Interrupt or Last Acknowledged Interrupt bits
When VHOLD = 1:
 Indicates the vector number (from 0 to 118) of the last interrupt to occur.
When VHOLD = 0:
 Indicates the vector number (from 0 to 118) of the interrupt request currently being handled.

PIC24FJ256GA412/GB412 FAMILY

8.4 Interrupt Setup Procedures

8.4.1 INITIALIZATION

To configure an interrupt source:

1. Set the NSTDIS (INTCON1[15]) control bit if nested interrupts are not desired.
2. Select the user-assigned priority level for the interrupt source by writing the control bits in the appropriate IPCx register. The priority level will depend on the specific application and type of interrupt source. If multiple priority levels are not desired, the IPCx register control bits, for all enabled interrupt sources, may be programmed to the same non-zero value.

Note: At a device Reset, the IPCx registers are initialized such that all user interrupt sources are assigned to Priority Level 4.

3. Clear the interrupt flag status bit associated with the peripheral in the associated IFSx register.
4. Enable the interrupt source by setting the interrupt enable control bit associated with the source in the appropriate IECx register.

8.4.2 INTERRUPT SERVICE ROUTINE (ISR)

The method that is used to declare an Interrupt Service Routine (ISR) and initialize the IVT with the correct vector address will depend on the programming language (i.e., 'C' or assembler), and the language development toolsuite that is used to develop the application. In general, the user must clear the interrupt flag in the appropriate IFSx register for the source of the interrupt that the ISR handles; otherwise, the ISR will be re-entered immediately after exiting the routine. If the ISR is coded in assembly language, it must be terminated using a `RETFIE` instruction to unstack the saved PC value, SRL value and old CPU priority level.

8.4.3 TRAP SERVICE ROUTINE (TSR)

A Trap Service Routine (TSR) is coded like an ISR, except that the appropriate trap status flag in the INTCON1 register must be cleared to avoid re-entry into the TSR.

8.4.4 INTERRUPT DISABLE

All user interrupts can be disabled using the following procedure:

1. Push the current SR value onto the software stack using the `PUSH` instruction.
2. Force the CPU to Priority Level 7 by inclusive ORing the value, 0Eh, with SRL.

To enable user interrupts, the `POP` instruction may be used to restore the previous SR value.

Note that only user interrupts with a priority level of 7 or less can be disabled. Trap sources (Levels 8-15) cannot be disabled.

The `DISI` instruction provides a convenient way to disable interrupts of Priority Levels 1-6 for a fixed period of time. Level 7 interrupt sources are not disabled by the `DISI` instruction.

PIC24FJ256GA412/GB412 FAMILY

NOTES:

PIC24FJ256GA412/GB412 FAMILY

9.0 OSCILLATOR CONFIGURATION

Note: This data sheet summarizes the features of this group of PIC24F devices. It is not intended to be a comprehensive reference source. For more information, refer to the “dsPIC33/PIC24 Family Reference Manual”, “Oscillator” (www.microchip.com/DS39700). The information in this data sheet supersedes the information in the FRM.

The oscillator system for PIC24FJ256GA412/GB412 family devices has the following features:

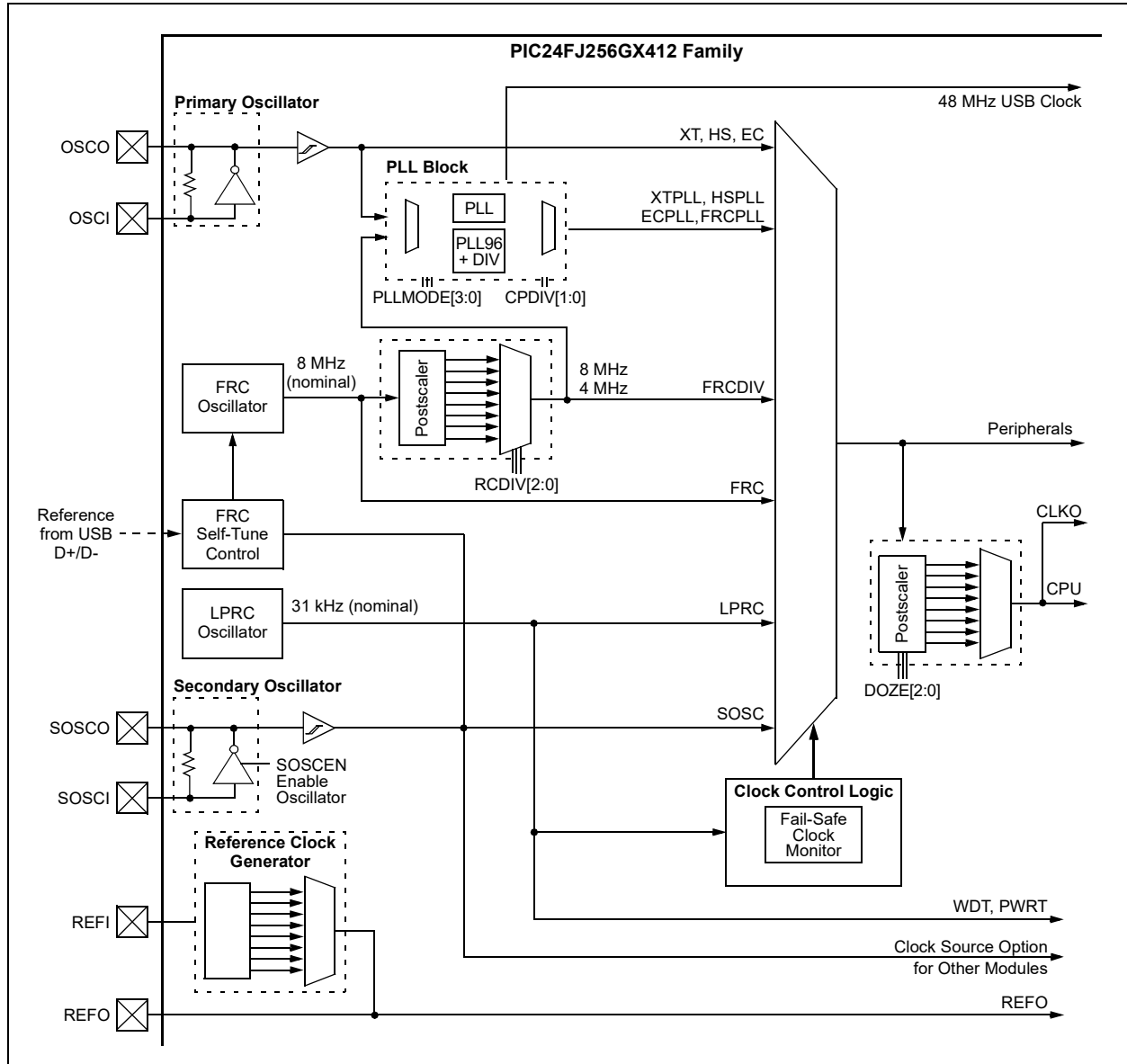
- A Total of Four External and Internal Oscillator Options

as Clock Sources, providing 11 Different Clock Modes

- An On-Chip PLL Block to provide a Wide Range of Precise Frequency Options for the System Clock, plus a Stable 48 MHz Clock for USB Devices
- Software-Controllable Switching between Various Clock Sources
- Software-Controllable Postscaler for Selective Clocking of CPU for System Power Savings
- A Fail-Safe Clock Monitor (FSCM) that Detects Clock Failure and Permits Safe Application Recovery or Shutdown
- A Separate and Independently Configurable Reference Clock for Synchronizing External Hardware

A simplified diagram of the oscillator system is shown in [Figure 9-1](#).

FIGURE 9-1: PIC24FJ256GA412/GB412 FAMILY GENERAL CLOCK DIAGRAM



PIC24FJ256GA412/GB412 FAMILY

9.1 CPU Clocking Scheme

The system clock source can be provided by one of four sources:

- Primary Oscillator (POSC) on the OSCI and OSCO pins
- Secondary Oscillator (SOSC) on the SOSCI and SOSCO pins
- Fast Internal RC (FRC) Oscillator
- Low-Power Internal RC (LPRC) Oscillator

The Primary Oscillator and FRC sources have the option of using the internal USB PLL block, which generates both the USB module clock and a separate system clock from the 96 MHz PLL. Refer to [Section 9.6 “PLL Block”](#) for additional information.

The internal FRC provides an 8 MHz clock source. It can optionally be reduced by the programmable clock divider to provide a range of system clock frequencies.

The selected clock source generates the processor and peripheral clock sources. The processor clock source is divided by two to produce the internal instruction cycle clock, Fcy. In this document, the instruction cycle clock is also denoted by Fosc/2. The internal instruction cycle clock, Fosc/2, can be provided on the OSCO I/O pin for some operating modes of the Primary Oscillator.

9.2 Initial Configuration on POR

The oscillator source (and operating mode) that is used at a device Power-on Reset event is selected using Configuration bit settings. The Oscillator Configuration bit settings are located in the Configuration registers in the program memory (refer to [Section 33.1 “Configuration Bits”](#) for further details). The Primary Oscillator Configuration bits, POSCMOD[1:0] (FOSC[1:0]), and the Initial Oscillator Select Configuration bits, FNOSC[2:0] (FOSCSEL[2:0]), select the oscillator source that is used at a Power-on Reset. The FRC Primary Oscillator with Postscaler (FRCDIV) is the default (unprogrammed) selection. The Secondary Oscillator (SOSC), or one of the internal oscillators, may be chosen by programming these bit locations.

The Configuration bits allow users to choose between the various clock modes, as shown in [Table 9-1](#).

9.2.1 CLOCK SWITCHING MODE CONFIGURATION BITS

The FCKSM[1:0] Configuration bits (FOSC[7:6]) are used to jointly configure device clock switching and the Fail-Safe Clock Monitor (FSCM). Clock switching is enabled only when FCKSM1 is programmed ('0'). The FSCM is enabled only when FCKSM[1:0] are both programmed ('00').

TABLE 9-1: CONFIGURATION BIT VALUES FOR CLOCK SELECTION

Oscillator Mode	Oscillator Source	POSCMOD[1:0]	FNOSC[2:0]	Notes
Fast RC Oscillator with Postscaler (FRCDIV)	Internal	11	111	1 , 2
(Reserved)	Internal	xx	110	1
Low-Power RC Oscillator (LPRC)	Internal	11	101	1
Secondary (Timer1) Oscillator (SOSC)	Secondary	11	100	1
Primary Oscillator (XT) with PLL Module (XTPLL)	Primary	01	011	
Primary Oscillator (EC) with PLL Module (ECPLL)	Primary	00	011	
Primary Oscillator (HS)	Primary	10	010	
Primary Oscillator (XT)	Primary	01	010	
Primary Oscillator (EC)	Primary	00	010	
Fast RC Oscillator with PLL Module (FRCPLL)	Internal	11	001	1
Fast RC Oscillator (FRC)	Internal	11	000	1

Note 1: OSCO pin function is determined by the OSCIOFCN Configuration bit.

Note 2: This is the default oscillator mode for an unprogrammed (erased) device.

PIC24FJ256GA412/GB412 FAMILY

9.3 Control Registers

The operation of the oscillator is controlled by three Special Function Registers:

- OSCCON
- CLKDIV
- OSCTUN

The OSCCON register (Register 9-1) is the main control register for the oscillator. It controls clock source switching and allows the monitoring of clock sources.

OSCCON is protected by a write lock to prevent inadvertent clock switches. See Section 9.4 “Clock Switching Operation” for more information.

The CLKDIV register (Register 9-2) controls the features associated with Doze mode, as well as the postscaler for the FRC Oscillator.

The OSCTUN register (Register 9-3) allows the user to fine-tune the FRC Oscillator over a range of approximately $\pm 1.5\%$. It also controls the FRC self-tuning features, described in Section 9.5 “FRC Active Clock Tuning”.

REGISTER 9-1: OSCCON: OSCILLATOR CONTROL REGISTER

U-0	R-0	R-0	R-0	U-0	R/W-x ⁽¹⁾	R/W-x ⁽¹⁾	R/W-x ⁽¹⁾
—	COSC2	COSC1	COSC0	—	NOSC2	NOSC1	NOSC0
bit 15				bit 8			
R/SO-0	R/W-0	R-0 ⁽³⁾	U-0	R/CO-0	R/W-0	R/W-0	R/W-0
CLKLOCK	IOLOCK ⁽²⁾	LOCK	—	CF	POSCEN	SOSCEN	OSWEN
bit 7				bit 0			

Legend:	CO = Clearable Only bit	SO = Settable Only bit
R = Readable bit	W = Writable bit	U = Unimplemented bit, read as '0'
-n = Value at POR	'1' = Bit is set	'0' = Bit is cleared
		x = Bit is unknown

bit 15 **Unimplemented:** Read as '0'

bit 14-12 **COSC[2:0]:** Current Oscillator Selection bits

- 111 = Fast RC Oscillator with Postscaler (FRCDIV)
- 110 = Reserved
- 101 = Low-Power RC Oscillator (LPRC)
- 100 = Secondary Oscillator (SOSC)
- 011 = Primary Oscillator with PLL module (XTPLL, HSPLL, ECPLL)
- 010 = Primary Oscillator (XT, HS, EC)
- 001 = Fast RC Oscillator with Postscaler and PLL module (FRCPLL)⁽⁴⁾
- 000 = Fast RC Oscillator (FRC)

bit 11 **Unimplemented:** Read as '0'

bit 10-8 **NOSC[2:0]:** New Oscillator Selection bits⁽¹⁾

- 111 = Fast RC Oscillator with Postscaler (FRCDIV)
- 110 = Reserved
- 101 = Low-Power RC Oscillator (LPRC)
- 100 = Secondary Oscillator (SOSC)
- 011 = Primary Oscillator with PLL module (XTPLL, HSPLL, ECPLL)
- 010 = Primary Oscillator (XT, HS, EC)
- 001 = Fast RC Oscillator with Postscaler and PLL module (FRCPLL)⁽⁴⁾
- 000 = Fast RC Oscillator (FRC)

Note 1: Reset values for these bits are determined by the FNOSCx Configuration bits.

2: The state of the IOLOCK bit can only be changed once an unlocking sequence has been executed. In addition, if the IOL1WAY Configuration bit is '1' once the IOLOCK bit is set, it cannot be cleared.

3: This bit also resets to '0' during any valid clock switch or whenever a non-PLL Clock mode is selected.

4: The default divisor of the postscaler is 2, which will generate a 4 MHz clock to the PLL module.

PIC24FJ256GA412/GB412 FAMILY

REGISTER 9-1: OSCCON: OSCILLATOR CONTROL REGISTER (CONTINUED)

bit 7	CLKLOCK: Clock Selection Lock Enable bit <u>If FSCM is enabled (FCKSM1 = 1):</u> 1 = Clock and PLL selections are locked 0 = Clock and PLL selections are not locked and may be modified by setting the OSWEN bit <u>If FSCM is disabled (FCKSM1 = 0):</u> Clock and PLL selections are never locked and may be modified by setting the OSWEN bit.
bit 6	IOLOCK: I/O Lock Enable bit ⁽²⁾ 1 = I/O lock is active 0 = I/O lock is not active
bit 5	LOCK: PLL Lock Status bit ⁽³⁾ 1 = PLL module is in lock or PLL module start-up timer is satisfied 0 = PLL module is out of lock, PLL start-up timer is running or PLL is disabled
bit 4	Unimplemented: Read as '0'
bit 3	CF: Clock Fail Detect bit 1 = FSCM has detected a clock failure 0 = No clock failure has been detected
bit 2	POSCEN: Primary Oscillator Sleep Enable bit 1 = Primary Oscillator continues to operate during Sleep mode 0 = Primary Oscillator is disabled during Sleep mode
bit 1	SOSCEN: 32 kHz Secondary Oscillator (SOSC) Enable bit 1 = Enables Secondary Oscillator 0 = Disables Secondary Oscillator
bit 0	OSWEN: Oscillator Switch Enable bit 1 = Initiates an oscillator switch to a clock source specified by the NOSC[2:0] bits 0 = Oscillator switch is complete

- Note 1:** Reset values for these bits are determined by the FNOSC_x Configuration bits.
- 2:** The state of the IOLOCK bit can only be changed once an unlocking sequence has been executed. In addition, if the IOL1WAY Configuration bit is '1' once the IOLOCK bit is set, it cannot be cleared.
- 3:** This bit also resets to '0' during any valid clock switch or whenever a non-PLL Clock mode is selected.
- 4:** The default divisor of the postscaler is 2, which will generate a 4 MHz clock to the PLL module.

PIC24FJ256GA412/GB412 FAMILY

REGISTER 9-2: CLKDIV: CLOCK DIVIDER REGISTER

R/W-0	R/W-0	R/W-1	R/W-1	R/W-0	R/W-0	R/W-0	R/W-1
ROI	DOZE2	DOZE1	DOZE0	DOZEN ⁽¹⁾	RCDIV2	RCDIV1	RCDIV0
bit 15						bit 8	

R/W-0	R/W-0	R/W-0	U-0	U-0	U-0	U-0	U-0
CPDIV1	CPDIV0	PLLEN	—	—	—	—	—
bit 7						bit 0	

Legend:

R = Readable bit W = Writable bit U = Unimplemented bit, read as '0'
 -n = Value at POR '1' = Bit is set '0' = Bit is cleared x = Bit is unknown

- bit 15 **ROI:** Recover on Interrupt bit
 1 = Interrupts clear the DOZEN bit and reset the CPU peripheral clock ratio to 1:1
 0 = Interrupts have no effect on the DOZEN bit
- bit 14-12 **DOZE[2:0]:** CPU Peripheral Clock Ratio Select bits
 111 = 1:128
 110 = 1:64
 101 = 1:32
 100 = 1:16
 011 = 1:8 (default)
 010 = 1:4
 001 = 1:2
 000 = 1:1
- bit 11 **DOZEN:** Doze Enable bit⁽¹⁾
 1 = DOZE[2:0] bits specify the CPU peripheral clock ratio
 0 = CPU peripheral clock ratio is set to 1:1
- bit 10-8 **RCDIV[2:0]:** FRC Postscaler Select bits
 111 = 31.25 kHz (divide-by-256)
 110 = 125 kHz (divide-by-64)
 101 = 250 kHz (divide-by-32)
 100 = 500 kHz (divide-by-16)
 011 = 1 MHz (divide-by-8)
 010 = 2 MHz (divide-by-4)
 001 = 4 MHz (divide-by-2) (default)
 000 = 8 MHz (divide-by-1)
- bit 7-6 **CPDIV[1:0]:** System Clock Select bits (postscaler select from fast PLL branch)
 11 = 4 MHz (divide-by-8)⁽²⁾
 10 = 8 MHz (divide-by-4)⁽²⁾
 01 = 16 MHz (divide-by-2)
 00 = 32 MHz (divide-by-1)
- bit 5 **PLLEN:** USB PLL Enable bit
 1 = PLL is always active
 0 = PLL is only active when a PLL Oscillator mode is selected (OSCCON[14:12] = 011 or 001)
- bit 4-0 **Unimplemented:** Read as '0'

- Note 1:** This bit is automatically cleared when the ROI bit is set and an interrupt occurs.
- Note 2:** This setting is not allowed while the USB module is enabled.

PIC24FJ256GA412/GB412 FAMILY

REGISTER 9-3: OSCTUN: FRC OSCILLATOR TUNE REGISTER

R/W-0	U-0	R/W-0	R/W-0	R-0	R/W-0	R-0	R/W-0
STEN	—	STSIDL	STSRC ⁽¹⁾	STLOCK	STLPOL	STOR	STORPOL
bit 15							bit 8

U-0	U-0	R/W-0	R/W-0	R/W-0	R/W-0	R/W-0	R/W-0
—	—	TUN[5:0] ⁽²⁾					
bit 7							bit 0

Legend:

R = Readable bit W = Writable bit U = Unimplemented bit, read as '0'
 -n = Value at POR '1' = Bit is set '0' = Bit is cleared x = Bit is unknown

- bit 15 **STEN:** FRC Self-Tune Enable bit
 1 = FRC self-tuning is enabled; TUNx bits are controlled by hardware
 0 = FRC self-tuning is disabled; application may optionally control TUNx bits
- bit 14 **Unimplemented:** Read as '0'
- bit 13 **STSIDL:** FRC Self-Tune Stop in Idle bit
 1 = Self-tuning stops during Idle mode
 0 = Self-tuning continues during Idle mode
- bit 12 **STSRC:** FRC Self-Tune Reference Clock Source bit⁽¹⁾
 1 = FRC is tuned to approximately match the USB host clock tolerance
 0 = FRC is tuned to approximately match the 32.768 kHz SOSC tolerance
- bit 11 **STLOCK:** FRC Self-Tune Lock Status bit
 1 = FRC accuracy is currently within $\pm 0.2\%$ of the STSRC reference accuracy
 0 = FRC accuracy may not be within $\pm 0.2\%$ of the STSRC reference accuracy
- bit 10 **STLPOL:** FRC Self-Tune Lock Interrupt Polarity bit
 1 = A self-tune lock interrupt is generated when STLOCK is '0'
 0 = A self-tune lock interrupt is generated when STLOCK is '1'
- bit 9 **STOR:** FRC Self-Tune Out of Range Status bit
 1 = STSRC reference clock error is beyond the range of TUN[5:0]; no tuning is performed
 0 = STSRC reference clock is within the tunable range; tuning is performed
- bit 8 **STORPOL:** FRC Self-Tune Out of Range Interrupt Polarity bit
 1 = A self-tune out of range interrupt is generated when STOR is '0'
 0 = A self-tune out of range interrupt is generated when STOR is '1'
- bit 7-6 **Unimplemented:** Read as '0'
- bit 5-0 **TUN[5:0]:** FRC Oscillator Tuning bits⁽²⁾
 011111 = Maximum frequency deviation
 011110 =
 ...
 000001 =
 000000 = Center frequency, oscillator is running at factory calibrated frequency
 111111 =
 ...
 100001 =
 100000 = Minimum frequency deviation

Note 1: Use of either clock tuning reference source has specific application requirements. See [Section 9.5 “FRC Active Clock Tuning”](#) for details.
Note 2: These bits are read-only when STEN = 1.

PIC24FJ256GA412/GB412 FAMILY

9.4 Clock Switching Operation

With few limitations, applications are free to switch between any of the four clock sources (POSC, SOSC, FRC and LPRC) under software control and at any time. To limit the possible side effects that could result from this flexibility, PIC24F devices have a safeguard lock built into the switching process.

Note: The Primary Oscillator mode has three different submodes (XT, HS and EC) which are determined by the POSCMODx Configuration bits. While an application can switch to and from Primary Oscillator mode in software, it cannot switch between the different primary submodes without reprogramming the device.

9.4.1 ENABLING CLOCK SWITCHING

To enable clock switching, the FCKSMx Configuration bits in the FOSC Configuration Word must be programmed. (Refer to [Section 33.1 “Configuration Bits”](#) for further details.) If the bits are unmodified, the clock switching function and Fail-Safe Clock Monitor function are disabled; this is the default setting.

The NOSCx control bits (OSCCON[10:8]) do not control the clock selection when clock switching is disabled. However, the COSC[2:0] bits (OSCCON[14:12]) will reflect the clock source selected by the FNOSCx Configuration bits.

The OSWEN control bit (OSCCON[0]) has no effect when clock switching is disabled; it is held at '0' at all times.

9.4.2 OSCILLATOR SWITCHING SEQUENCE

At a minimum, performing a clock switch requires this basic sequence:

1. If desired, read the COSC[2:0] bits (OSCCON[14:12]) to determine the current oscillator source.
2. Perform the unlock sequence to allow a write to the OSCCON register high byte.
3. Write the appropriate value to the NOSCx bits (OSCCON[10:8]) for the new oscillator source.
4. Perform the unlock sequence to allow a write to the OSCCON register low byte.
5. Set the OSWEN bit to initiate the oscillator switch.

Once the basic sequence is completed, the system clock hardware responds automatically as follows:

1. The clock switching hardware compares the COSCx bits with the new value of the NOSCx bits. If they are the same, then the clock switch is a redundant operation. In this case, the OSWEN bit is cleared automatically and the clock switch is aborted.
2. If a valid clock switch has been initiated, the LOCK (OSCCON[5]) and CF (OSCCON[3]) bits are cleared.
3. The new oscillator is turned on by the hardware if it is not currently running. If a crystal oscillator must be turned on, the hardware will wait until the OST expires. If the new source is using the PLL, then the hardware waits until a PLL lock is detected (LOCK = 1).
4. The hardware waits for 10 clock cycles from the new clock source and then performs the clock switch.
5. The hardware clears the OSWEN bit to indicate a successful clock transition. In addition, the NOSCx bits value is transferred to the COSCx bits.
6. The old clock source is turned off at this time, with the exception of LPRC (if WDT or FSCM is enabled) or SOSC (if SOSSEN remains set).

Note 1: The processor will continue to execute code throughout the clock switching sequence. Timing-sensitive code should not be executed during this time.

- 2: Direct clock switches between any Primary Oscillator mode with PLL and FRCPLL mode are not permitted. This applies to clock switches in either direction. In these instances, the application must switch to FRC mode as a transitional clock source between the two PLL modes.

PIC24FJ256GA412/GB412 FAMILY

A recommended code sequence for a clock switch includes the following:

1. Disable interrupts during the OSCCON register unlock and write sequence.
2. Execute the unlock sequence for the OSCCON high byte by writing 78h and 9Ah to OSCCON[15:8] in two back-to-back instructions.
3. Write the new oscillator source to the NOSCx bits in the instruction immediately following the unlock sequence.
4. Execute the unlock sequence for the OSCCON low byte by writing 46h and 57h to OSCCON[7:0] in two back-to-back instructions.
5. Set the OSWEN bit in the instruction immediately following the unlock sequence.
6. Continue to execute code that is not clock-sensitive (optional).
7. Invoke an appropriate amount of software delay (cycle counting) to allow the selected oscillator and/or PLL to start and stabilize.
8. Check to see if OSWEN is '0'. If it is, the switch was successful. If OSWEN is still set, then check the LOCK bit to determine the cause of the failure.

The core sequence for unlocking the OSCCON register and initiating a clock switch is shown in [Example 9-1](#).

EXAMPLE 9-1: BASIC CODE SEQUENCE FOR CLOCK SWITCHING

```
;Place the new oscillator selection in W0
;OSCCONH (high byte) Unlock Sequence
MOV     #OSCCONH, w1
MOV     #0x78, w2
MOV     #0x9A, w3
MOV.b   w2, [w1]
MOV.b   w3, [w1]
;Set new oscillator selection
MOV.b   WREG, OSCCONH
;OSCCONL (low byte) unlock sequence
MOV     #OSCCONL, w1
MOV     #0x46, w2
MOV     #0x57, w3
MOV.b   w2, [w1]
MOV.b   w3, [w1]
;Start oscillator switch operation
BSET    OSCCON,#0
```

9.5 FRC Active Clock Tuning

PIC24FJ256GA412/GB412 family devices include an automatic mechanism to calibrate the FRC during run time. This system uses active clock tuning from a source of known accuracy to maintain the FRC within a very narrow margin of its nominal 8 MHz frequency. This allows for a frequency accuracy that is well within the requirements of the “*USB 2.0 Specification*”, regarding full-speed USB devices.

Note: The self-tune feature maintains sufficient accuracy for operation in USB Device mode. For applications that function as a USB host, a high-accuracy clock source ($\pm 0.05\%$) is still required.

The self-tune system is controlled by the bits in the upper half of the OSCTUN register. Setting the STEN bit (OSCTUN[15]) enables the self-tuning feature, allowing the hardware to calibrate to a source selected by the STSRC bit (OSCTUN[12]). When STSRC = 1, the system uses the Start-of-Frame (SOF) packets from an external USB host for its source. When STSRC = 0, the system uses the crystal-controlled SOSC for its calibration source. Regardless of the source, the system uses the TUN[5:0] bits (OSCTUN[5:0]) to change the FRC Oscillator's frequency. Frequency monitoring and adjustment is dynamic, occurring continuously during run time. While the system is active, the TUNx bits cannot be written to by software.

Note: To use the USB as a reference clock tuning source (STSRC = 1), the microcontroller must be configured for USB device operation and connected to a non-suspended USB host or hub port.

If the SOSC is to be used as the reference clock tuning source (STSRC = 0), the SOSC must also be enabled for clock tuning to occur.

The self-tune system can generate a hardware interrupt, FSTIF. The interrupt can result from a drift of the FRC from the reference by greater than 0.2%, in either direction, or whenever the frequency deviation is beyond the ability of the TUNx bits to correct (i.e., greater than 1.5%). The STLOCK and STOR status bits (OSCTUN[11,9]) are used to indicate these conditions.

The STLPOL and STORPOL bits (OSCTUN[10,8]) configure the FSTIF interrupt to occur in the presence or the absence of the conditions. It is the user's responsibility to monitor both the STLOCK and STOR bits to determine the exact cause of the interrupt.

Note: The STLPOL and STORPOL bits should be ignored when the self-tune system is disabled (STEN = 0).

PIC24FJ256GA412/GB412 FAMILY

9.6 PLL Block

PIC24FJ256GA412/GB412 family devices include a versatile PLL block as part of the clock generation system. This allows for economical high-speed operation up to FOSC_{MAX} (32 MHz) without the need of an external HS crystal for most applications. It also provides the option to generate a high-precision 48 MHz clock for USB operation, without regard for the system clock frequency. The PLL block is shown in Figure 9-2.

The PLL block has two separate branches:

- A Fixed PLL branch that multiplies the input clock frequency by a factor of 4, 6 or 8. The output frequency is provided as the system clock, as well as an input for the reference clock.
- A 96 MHz PLL that multiplies the input frequency to 96 MHz. The PLL is able to generate a system clock output of 4 MHz, 8 MHz, 16 MHz or 32 MHz. In USB devices, this branch also generates the 48 MHz full-speed USB clock. The 96 MHz output is provided directly as an input for the reference clock.

The PLL block uses either the Primary Oscillator or the FRC as its input source, as selected by the COSC[2:0] or NOSC[2:0] oscillator select bits. For both PLL branches, the minimum input frequency is 4 MHz. For the FRC, the only valid input options are 4 MHz or 8 MHz. The input from the Primary Oscillator can range from up to 48 MHz, in 4 MHz increments.

The fixed PLL multiplier is selected by the PLLMODE[3:0] Configuration bits. As it does not automatically sense the input frequency, the user must select a frequency that will not result in an output frequency greater than 32 MHz.

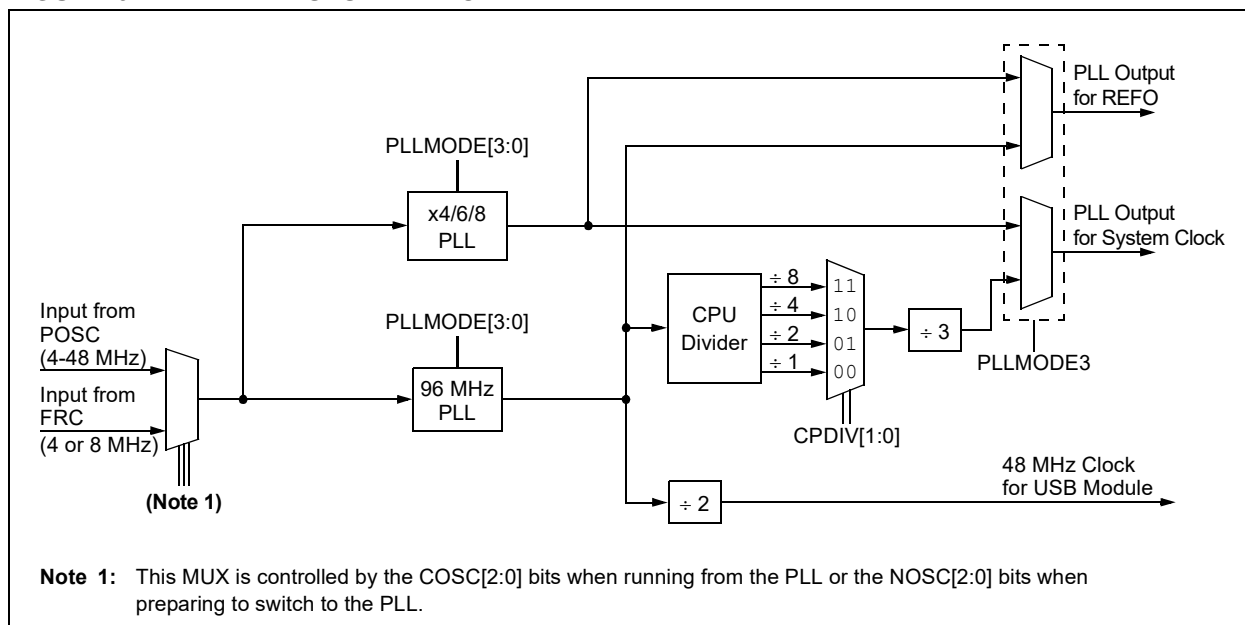
The 96 MHz PLL branch does not automatically sense the incoming oscillator frequency. The user must manually configure the PLL for the input frequency in order to generate the 96 MHz output, using the PLLMODE[3:0] Configuration bits. This limits the choices for input frequencies to a total of eight possibilities, shown in Table 9-2. The CPDIV[1:0] bits independently select the system clock speed; available clock options are listed in Table 9-3.

TABLE 9-2: VALID OSCILLATOR INPUTS FOR 96 MHz PLL

Input Oscillator Frequency	Clock Mode	PLL Multiplier (PLLMODE[3:0])
48 MHz	ECPLL	2 (0111)
32 MHz	HSPLL, ECPLL	3 (0110)
24 MHz	HSPLL, ECPLL	4 (0101)
20 MHz	HSPLL, ECPLL	4.8 (0100)
16 MHz	HSPLL, ECPLL	6 (0011)
12 MHz	HSPLL, ECPLL	8 (0010)
8 MHz	ECPLL, XTPLL, FRCPLL ⁽¹⁾	12 (0001)
4 MHz	ECPLL, XTPLL, FRCPLL ⁽¹⁾	24 (0000)

Note 1: This requires the use of the FRC self-tune feature to maintain required clock accuracy.

FIGURE 9-2: PLL SYSTEM BLOCK



PIC24FJ256GA412/GB412 FAMILY

TABLE 9-3: SYSTEM CLOCK OPTIONS WITH 96 MHz PLL

MCU Clock Division (CPDIV[1:0])	Microcontroller Clock Frequency
None (00)	32 MHz
÷2 (01)	16 MHz
÷4 (10) ⁽¹⁾	8 MHz
÷8 (11) ⁽¹⁾	4 MHz

Note 1: This is not compatible with USB operation. The USB module must be disabled to use this system clock option.

9.6.1 CONSIDERATIONS FOR USB OPERATION

The 96 MHz PLL branch allows for the generation of a USB clock signal that meets the timing requirements of the USB specification. However, some limitations, including the use of a crystal-controlled clock source during Host operation, must also be met to meet the timing requirements. When using the USB On-The-Go module in PIC24FJ256GB412 family devices, users must always observe these rules in configuring the system clock:

- Only the Crystal Oscillator modes listed in [Table 9-2](#) can be used for USB operation. There is no provision to provide a separate external clock source to the USB module.
- The selected clock source (EC, HS or XT) must meet the USB clock tolerance requirements.
- When the FRCPLL Oscillator mode is used for USB applications, the FRC self-tune system should be used as well. While the FRC is accurate, the only two ways to ensure the level of accuracy required by the “*USB 2.0 Specification*”, throughout the application’s operating range, are either the self-tune system or manually changing the TUN[5:0] bits.
- The user must always ensure that the FRC source is configured to provide a frequency of 4 MHz or 8 MHz (RCDIV[2:0] = 001 or 000) and that the 96 MHz PLL is configured appropriately.
- All other oscillator modes are available; however, USB operation is not possible when these modes are selected. They may still be useful in cases where other power levels of operation are desirable and the USB module is not needed (e.g., the application is Sleeping and waiting for a bus attachment).

9.7 Secondary Oscillator

9.7.1 BASIC SOSC OPERATION

PIC24FJ256GA412/GB412 family devices do not have to set the SOSSEN bit to use the Secondary Oscillator. Any module requiring the SOSC (such as RTCC, Timer1 or DSWDT) will automatically turn on the SOSC when the clock signal is needed. The SOSC, however, has a long start-up time (as long as one second). To avoid delays for peripheral start-up, the SOSC can be manually started using the SOSSEN bit.

To use the Secondary Oscillator, the SOSCSEL Configuration bit (FOSC[3]) must be set to ‘1’. Programming the SOSCSEL bit to ‘0’ configures the SOSC pins for Digital mode, enabling digital I/O functionality on the pins.

9.7.2 CRYSTAL SELECTION

The 32.768 kHz crystal used for the SOSC must have the following specifications in order to properly start up and run at the correct frequency:

- 12.5 pF loading capacitance
- 1.0 pF shunt capacitance
- A typical ESR of 50 kΩ; 70 kΩ maximum

In addition, the two external crystal loading capacitors should be in the range of 22-27 pF, which will be based on the PC board layout. The capacitors should be C0G, 5% tolerance and rated 25V or greater.

The accuracy and duty cycle of the SOSC can be measured on the REFO pin and is recommended to be in the range of 40-60% and accurate to ±0.65 Hz.

Note: Do not enable the LCD Segment pin, SEG17, on RD0 when using the 64-pin package if the SOSC is used for time-sensitive applications. Avoid high-frequency traces adjacent to the SOSCO and SOSCI pins as this can cause errors in the SOSC frequency and/or duty cycle.

PIC24FJ256GA412/GB412 FAMILY

9.8 Reference Clock

In addition to the CLKO output ($F_{OSC}/2$), available in certain oscillator modes, the device clock in the PIC24FJ256GA412/GB412 family devices can also be configured to provide a reference clock output signal to a port pin. This feature is available in all oscillator configurations and allows the user to select a greater range of clock submultiples to drive external devices in the application.

This reference clock output is controlled by the REFOCONL register (Register 9-4). Setting the ROEN bit (REFOCONL[15]) makes the clock signal available on the REFO pin. The ROSEL[3:0] bits (REFOCONL[3:0]) determine which clock source is used for the reference clock output.

The REFOCONH and REFOTRIML registers (Register 9-5 and Register 9-6) select the divider from the selected clock input source from a wide range of options. The RODIV[14:0] bits (REFOCONH[14:0]) enable the selection of integer clock divider options, from 1:1 to 1:65,534. The ROTRIM[8:0] bits (REFOTRIML[15:7]) allow the user to add a fractional submultiple of the clock input to the RODIVx value.

The ROSWEN bit (REFOCONL[9]) indicates that the clock divider is currently being switched. In order to change the values of the RODIVx or ROTRIMx bits:

1. Verify that ROSWEN is clear
2. Write the updated values to the ROTRIMx and RODIVx bits.
3. Set the ROSWEN bit, then wait until it is clear before assuming that the REFO clock is valid.

The ROSLP bit (REFOCONL[11]) determines if the reference source is available on REFO when the device is in Sleep mode. To use the reference clock output in Sleep mode, the ROSLP bit must be set and the clock selected by the ROSELx bits must be enabled for operation during Sleep mode, if possible. Clearing the ROSELx bits allows the reference output frequency to change as the system clock changes during any clock switches. The ROOUT bit enables/disables the reference clock output on the REFO pin.

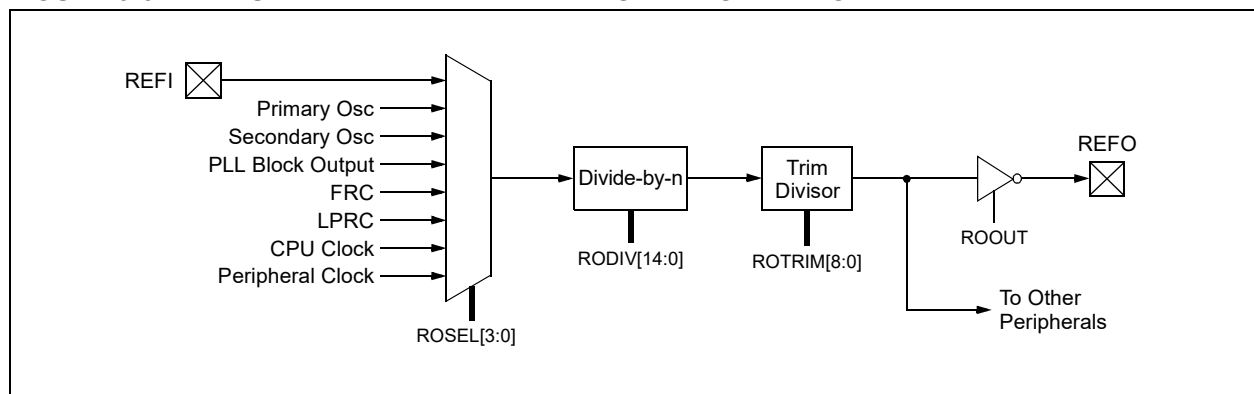
The ROACTIV bit (REFOCONL[8]) indicates that the module is active; it can be cleared by disabling the module (ROEN = 0). The user must not change the reference clock source, or adjust the trim or divider when the ROACTIV bit indicates that the module is active. To avoid glitches, the user should not disable the module until the ROACTIV bit is '1'.

9.8.1 REMAPPABLE OUTPUT

For PIC24FJ256GA412/GB412 family devices, the reference clock output is not available as a dedicated pin function. Instead, it is made available as an optional remappable digital output. If the reference clock output is required for an external consumer, it must be mapped to an available output pin. See Section 11.5.3.2 "Output Mapping" for more information.

When REFO is mapped to RP29 (RB15 pin), a reference clock frequency of up to 32 MHz may be used. The drive strength on this pin is also compatible with the fixed REFO pin on previous PIC24F devices. If REFO is mapped to any other output pin, the maximum reference clock frequency is limited to 16 MHz, with a lower drive strength.

FIGURE 9-3: SIMPLIFIED REFERENCE CLOCK BLOCK DIAGRAM



PIC24FJ256GA412/GB412 FAMILY

REGISTER 9-4: REFOCONL: REFERENCE CLOCK CONTROL LOW REGISTER

R/W-0	U-0	R/W-0	R/W-0	R/W-0	U-0	HC/R/W-0	HSC/R-0
ROEN	—	ROSIDL	ROOUT	ROSLP	—	ROSWEN	ROACTIV
bit 15						bit 8	

U-0	U-0	U-0	U-0	R/W-0	R/W-0	R/W-0	R/W-0
—	—	—	—	ROSEL[3:0]			
bit 7						bit 0	

Legend:	HC = Hardware Clearable bit	HSC = Hardware Settable/Clearable bit
R = Readable bit	W = Writable bit	U = Unimplemented bit, read as '0'
-n = Value at POR	'1' = Bit is set	'0' = Bit is cleared
		x = Bit is unknown

- bit 15 **ROEN:** Reference Clock Enable bit
 1 = Reference Oscillator is enabled on the REFO pin
 0 = Reference Oscillator is disabled
- bit 14 **Unimplemented:** Read as '0'
- bit 13 **ROSIDL:** Reference Clock Stop in Idle bit
 1 = Reference Oscillator continues to run in Idle mode
 0 = Reference Oscillator is disabled in Idle mode
- bit 12 **ROOUT:** Reference Clock Output Enable bit
 1 = Reference clock external output is enabled and available on the REFO pin
 0 = Reference clock external output is disabled
- bit 11 **ROSLP:** Reference Clock Stop in Sleep bit
 1 = Reference Oscillator continues to run in Sleep modes
 0 = Reference Oscillator is disabled in Sleep
- bit 10 **Unimplemented:** Read as '0'
- bit 9 **ROSWEN:** Reference Clock Output Enable bit
 1 = Clock divider change (requested by changes to ROTRIMx and/or RODIVx) is requested or is in progress (set in software, cleared by hardware upon completion)
 0 = Clock divider change has completed or is not pending
- bit 8 **ROACTIV:** Reference Clock Status bit
 1 = Reference clock is active; do not change clock source
 0 = Reference clock is stopped; clock source and configuration may be safely changed
- bit 7-4 **Unimplemented:** Read as '0'
- bit 3-0 **ROSEL[3:0]:** Reference Clock Source Select bits
 1111 =
 ●●● = Reserved
 1001 =
 1000 = REFI pin
 0111 = Reserved
 0110 = PLL block (Fixed PLL output frequency or 96 MHz PLL output)
 0101 = Secondary Oscillator
 0100 = LPRC
 0011 = FRC
 0010 = Primary Oscillator
 0001 = Peripheral clock (Fcy)
 0000 = CPU clock

PIC24FJ256GA412/GB412 FAMILY

REGISTER 9-5: REFOCONH: REFERENCE CLOCK CONTROL HIGH REGISTER

U-0	R/W-0	R/W-0	R/W-0	R/W-0	R/W-0	R/W-0	R/W-0	
—	RODIV[14:8]							
bit 15								bit 8

R/W-0	R/W-0	R/W-0	R/W-0	R/W-0	R/W-0	R/W-0	R/W-0	
RODIV[7:0]								
bit 7								bit 0

Legend:

R = Readable bit W = Writable bit U = Unimplemented bit, read as '0'
 -n = Value at POR '1' = Bit is set '0' = Bit is cleared x = Bit is unknown

bit 15 **Unimplemented:** Read as '0'

bit 14-0 **RODIV[14:0]:** Reference Clock Integer Divisor Select bits

Divisor for the selected input clock source is two times the selected value.

111 1111 1111 1111 = Base clock value divided by 65,534 (2 * 7FFFh)

111 1111 1111 1110 = Base clock value divided by 65,532 (2 * 7FFEh)

111 1111 1111 1101 = Base clock value divided by 65,530 (2 * 7FFDh)

•••

000 0000 0000 0010 = Base clock value divided by 4 (2 * 2)

000 0000 0000 0001 = Base clock value divided by 2 (2 * 1)

000 0000 0000 0000 = Base clock value

REGISTER 9-6: REFOTRIML: REFERENCE CLOCK TRIM REGISTER

R/W-0	R/W-0	R/W-0	R/W-0	R/W-0	R/W-0	R/W-0	R/W-0	
ROTRIM[8:1]								
bit 15								bit 8

R/W-0	U-0	U-0	U-0	U-0	U-0	U-0	U-0	
ROTRIM0	—	—	—	—	—	—	—	
bit 7								bit 0

Legend:

R = Readable bit W = Writable bit U = Unimplemented bit, read as '0'
 -n = Value at POR '1' = Bit is set '0' = Bit is cleared x = Bit is unknown

bit 15-7 **ROTRIM[8:0]:** Reference Clock Fractional Divisor Select bits

Added fractional portion of the divisor for the selected input clock source is the value, divided by 512.

111111111 = 1 (512/512)

111111110 = 0.998947 (511/512)

111111101 = 0.996094 (510/512)

•••

000000010 = 0.003906 (2/512)

000000001 = 0.001953 (1/512)

000000000 = No fractional portion (0/512)

bit 6-0 **Unimplemented:** Read as '0'

PIC24FJ256GA412/GB412 FAMILY

NOTES:

PIC24FJ256GA412/GB412 FAMILY

10.0 POWER-SAVING FEATURES

Note: This data sheet summarizes the features of this group of PIC24F devices. It is not intended to be a comprehensive reference source. For more information, refer to the “*dsPIC33/PIC24 Family Reference Manual*”, “**Power-Saving Features with Deep Sleep**” (www.microchip.com/DS39727). The information in this data sheet supersedes the information in the FRM.

The PIC24FJ256GA412/GB412 family of devices provides the ability to manage power consumption by selectively managing clocking to the CPU and the peripherals. In general, a lower clock frequency and a reduction in the number of circuits being clocked reduces consumed power.

PIC24FJ256GA412/GB412 family devices manage power consumption with five strategies:

- Instruction-Based Power Reduction Modes
- Hardware-Based Power Reduction Features
- Clock Frequency Control
- Software Controlled Doze Mode

- Selective Peripheral Control in Software

Combinations of these methods can be used to selectively tailor an application’s power consumption, while still maintaining critical application features, such as timing-sensitive communications.

10.1 Overview of Power-Saving Modes

In addition to full-power operation, otherwise known as Run mode, the PIC24FJ256GA412/GB412 family of devices offers three Instruction-Based Power-Saving modes and one Hardware-Based mode:

- Idle
- Sleep (Sleep and Low-Voltage Sleep)
- Deep Sleep (without retention)
- VBAT (with and without RTCC)

All four modes can be activated by powering down different functional areas of the microcontroller, allowing progressive reductions of operating and Idle power consumption. In addition, three of the modes can be tailored for more power reduction at a trade-off of some operating features. [Table 10-1](#) lists all of the operating modes in order of increasing power savings. [Table 10-2](#) summarizes how the microcontroller exits the different

TABLE 10-1: OPERATING MODES FOR PIC24FJ256GA412/GB412 FAMILY DEVICES

Mode	Entry	Active Systems				
		Core	Peripherals	Data RAM Retention	RTCC ⁽¹⁾	DSGPR0/DSGPR1 Retention
Run (default)	N/A	Y	Y	Y	Y	Y
Idle	Instruction	N	Y	Y	Y	Y
Sleep:						
Sleep	Instruction	N	S ⁽²⁾	Y	Y	Y
Low-Voltage Sleep	Instruction + RETEN bit	N	S ⁽²⁾	Y	Y	Y
Deep Sleep:						
Deep Sleep	Instruction + DSEN bit	N	N	N	Y	Y
VBAT:						
with RTCC	Hardware	N	N	N	Y	Y

Note 1: If RTCC is otherwise enabled in firmware.

2: A select peripheral can operate during this mode from LPRC or some external clock.

PIC24FJ256GA412/GB412 FAMILY

TABLE 10-2: EXITING POWER-SAVING MODES

Mode	Exit Conditions							Code Execution Resumes	
	Interrupts		Resets			RTCC Alarm	WDT		VDD Restore ⁽²⁾
	All	INT0	All	POR	MCLR				
Idle	Y	Y	Y	Y	Y	Y	Y	N/A	Next instruction
Sleep (all modes)	Y	Y	Y	Y	Y	Y	Y	N/A	
Deep Sleep	N	Y	N	Y	Y	Y	Y ⁽¹⁾	N/A	Reset vector
VBAT	N	N	N	N	N	N	N	Y	Reset vector

Note 1: Deep Sleep WDT.

2: A POR or POR-like Reset results whenever VDD is removed and restored in any mode.

10.1.1 INSTRUCTION-BASED POWER-SAVING MODES

Three of the power-saving modes are entered through the execution of the `PWRSVAV` instruction. Sleep mode stops clock operation and halts all code execution. Idle mode halts the CPU and code execution, but allows peripheral modules to continue operation. Deep Sleep mode stops clock operation, code execution and all peripherals, except RTCC and DSWDT. It also freezes I/O states and removes power to Flash memory, and may remove power to SRAM.

The assembly syntax of the `PWRSVAV` instruction is shown in [Example 10-1](#). Sleep and Idle modes are entered directly with a single assembler command. Deep Sleep requires an additional sequence to unlock and enable the entry into Deep Sleep, which is described in [Section 10.4.1 “Entering Deep Sleep Mode”](#).

Note: `SLEEP_MODE` and `IDLE_MODE` are constants defined in the assembler include file for the selected device.

Sleep and Idle modes can be exited as a result of an enabled interrupt, WDT time-out or a device Reset. When the device exits these modes, it is said to “wake-up”.

The features enabled with the low-voltage/retention regulator result in some changes to the way that Sleep and Deep Sleep modes behave. See [Section 10.3 “Sleep Mode”](#) and [Section 10.4 “Deep Sleep Mode”](#) for additional information.

10.1.1.1 Interrupts Coincident with Power Save Instructions

Any interrupt that coincides with the execution of a `PWRSVAV` instruction will be held off until entry into Sleep or Idle mode has completed. The device will then wake-up from Sleep or Idle mode.

For Deep Sleep mode, interrupts that coincide with the execution of the `PWRSVAV` instruction may be lost. The microcontroller resets on leaving Deep Sleep and the interrupt will be lost.

Interrupts that occur during the Deep Sleep unlock sequence will prevent Deep Sleep from being enabled. For this reason, it is recommended to disable all interrupts during the Deep Sleep unlock sequence.

EXAMPLE 10-1: `PWRSVAV` INSTRUCTION SYNTAX

```
// Syntax to enter Sleep mode:
PWRSVAV    #SLEEP_MODE        ; Put the device into SLEEP mode
//
//Syntax to enter Idle mode:
PWRSVAV    #IDLE_MODE         ; Put the device into IDLE mode
//
// Syntax to enter Deep Sleep mode:
// First use the unlock sequence to set the DSEN bit (see Example 10-2)
PWRSVAV    #SLEEP_MODE        ; Put the device into Deep SLEEP mode once DSEN is set
```

PIC24FJ256GA412/GB412 FAMILY

10.1.2 HARDWARE-BASED POWER-SAVING MODE

The hardware-based VBAT mode does not require any action by the user during code development. Instead, it is a hardware design feature that allows the microcontroller to retain critical data (using the DSGPRx registers) and maintain the RTCC when VDD is removed from the application. This is accomplished by supplying a backup power source to a specific power pin. VBAT mode is described in more detail in [Section 10.5 “VBAT Mode”](#).

10.1.3 LOW-VOLTAGE/RETENTION REGULATOR

PIC24FJ256GA412/GB412 family devices incorporate a second on-chip voltage regulator, designed to provide power to select microcontroller features at 1.2V, nominal. This regulator allows features, such as data RAM and the WDT, to be maintained in power-saving modes where they would otherwise be inactive, or maintain them at a lower power than would otherwise be the case.

The low-voltage/retention regulator is only available when Sleep mode is invoked. It is controlled by the LPCFG Configuration bit (FPOR[2]) and in firmware by the RETEN bit (RCON[12]). LPCFG must be programmed (= 0) and the RETEN bit must be set (= 1) for the regulator to be enabled.

10.2 Idle Mode

Idle mode provides these features:

- The CPU will stop executing instructions.
- The WDT is automatically cleared.
- The system clock source remains active. By default, all peripheral modules continue to operate normally from the system clock source, but can also be selectively disabled (see [Section 10.8 “Selective Peripheral Module Control”](#)).
- If the WDT or FSCM is enabled, the LPRC will also remain active.

The device will wake from Idle mode on any of these events:

- Any interrupt that is individually enabled
- Any device Reset
- A WDT time-out

On wake-up from Idle, the clock is reapplied to the CPU and instruction execution begins immediately, starting with the instruction following the PWRSAV instruction or the first instruction in the Interrupt Service Routine (ISR).

10.3 Sleep Mode

Sleep mode includes these features:

- The system clock source is shut down. If an on-chip oscillator is used, it is turned off.
- The device current consumption will be reduced to a minimum provided that no I/O pin is sourcing current.
- The I/O pin directions and states are frozen.
- The Fail-Safe Clock Monitor does not operate during Sleep mode since the system clock source is disabled.
- The LPRC clock will continue to run in Sleep mode if the WDT or RTCC, with LPRC as the clock source, is enabled.
- The WDT, if enabled, is automatically cleared prior to entering Sleep mode.
- Some device features or peripherals may continue to operate in Sleep mode. This includes items, such as the Input Change Notification (ICN) on the I/O ports or peripherals that use an external clock input. Any peripheral that requires the system clock source for its operation will be disabled in Sleep mode.

The device will wake-up from Sleep mode on any of these events:

- On any interrupt source that is individually enabled
- On any form of device Reset
- On a WDT time-out

On wake-up from Sleep, the processor will restart with the same clock source that was active when Sleep mode was entered.

10.3.1 LOW-VOLTAGE/RETENTION SLEEP MODE

Low-Voltage/Retention Sleep mode functions as Sleep mode with the same features and wake-up triggers. The difference is that the low-voltage/retention regulator allows Core Digital Logic Voltage (VCORE) to drop to 1.2V nominal. This permits an incremental reduction of power consumption over what would be required if VCORE was maintained at a 1.8V (minimum) level.

Low-Voltage Sleep mode requires a longer wake-up time than Sleep mode, due to the additional time required to bring VCORE back to 1.8V (known as TREG). In addition, the use of the low-voltage/retention regulator limits the amount of current that can be sourced to any active peripherals, such as the RTCC/LCD, etc.

PIC24FJ256GA412/GB412 FAMILY

10.4 Deep Sleep Mode

Deep Sleep mode provides the lowest levels of power consumption available from the Instruction-Based modes.

Deep Sleep modes have these features:

- The system clock source is shut down. If an on-chip oscillator is used, it is turned off.
- The device current consumption will be reduced to a minimum.
- The I/O pin directions and states are frozen.
- The Fail-Safe Clock Monitor does not operate during Sleep mode since the system clock source is disabled.
- The LPRC clock will continue to run in Deep Sleep mode if the WDT, or RTCC with LPRC as the clock source, is enabled.
- The dedicated Deep Sleep WDT and BOR systems, if enabled, are used.
- The RTCC and its clock source continue to run, if enabled. All other peripherals are disabled.

Entry into Deep Sleep mode is completely under software control. Exit from the Deep Sleep modes can be triggered from any of the following events:

- POR event
- \overline{MCLR} event
- RTCC alarm (if the RTCC is present)
- External Interrupt 0
- Deep Sleep Watchdog Timer (DSWDT) time-out

10.4.1 ENTERING DEEP SLEEP MODE

Deep Sleep mode is entered by setting the DSEN bit in the DSCON register using the repeat sequence in [Example 10-2](#), and then executing a Sleep command (`PWRSVAV #SLEEP_MODE`). The DSEN bit is automatically cleared when exiting Deep Sleep mode.

Note: To re-enter Deep Sleep after a Deep Sleep wake-up, allow a delay of at least 3 T_{CY} after clearing the RELEASE bit.

The sequence to enter Deep Sleep mode is:

1. If the application requires the Deep Sleep WDT, enable it and configure its clock source. For more information on Deep Sleep WDT, see [Section 10.4.5 “Deep Sleep WDT”](#).
2. If the application requires Deep Sleep BOR, enable it by programming the DSBORN Configuration bit (FDS[6]).
3. If the application requires wake-up from Deep Sleep on RTCC alarm, enable and configure the RTCC module. For more information on RTCC, see [Section 24.0 “Real-Time Clock and Calendar \(RTCC\) with Timestamp”](#).
4. If needed, save any critical application context data by writing them to the DSGPR0 and DSGPR1 registers (optional).
5. Enable Deep Sleep mode by setting the DSEN bit (DSCON[15]).

Note: A repeat sequence is required to set the DSEN bit. The repeat sequence (repeating the instruction twice) is required to write to any of the Deep Sleep registers (DSCON, DSWAKE, DSGPR0, DSGPR1). This is required to prevent the user from entering Deep Sleep by mistake. Any write to these registers has to be done twice to actually complete the write (see [Example 10-2](#)).

6. Enter Deep Sleep mode by issuing a `PWRSVAV #0` instruction.

PIC24FJ256GA412/GB412 FAMILY

Any time the DSEN bit is set, all bits in the DSWAKE register will be automatically cleared.

EXAMPLE 10-2: THE REPEAT SEQUENCE

Example 1:

```
MOV    #0x8000, W2    ;enable DS
MOV    W2, DSCON
MOV    W2, DSCON      ;second write required to
                     ;actually write to DSCON
```

Example 2:

```
CLR    DSCON
CLR    DSCON
BSET   DSCON, #15
BSET   DSCON, #15
```

10.4.2 EXITING DEEP SLEEP MODES

Deep Sleep modes exit on any one of the following events:

- POR event on VDD supply. If there is no DSBOR circuit to re-arm the VDD supply POR circuit, the external VDD supply must be lowered to the natural arming voltage of the POR circuit.
- DSWDT time-out. When the DSWDT timer times out, the device exits Deep Sleep.
- RTCC alarm (if RTCEN = 1).
- Assertion ('0') of the $\overline{\text{MCLR}}$ pin.
- Assertion of the INT0 pin (if the interrupt was enabled before Deep Sleep mode was entered). The polarity configuration is used to determine the assertion level ('0' or '1') of the pin that will cause an exit from Deep Sleep mode. Exiting from Deep Sleep mode requires a change on the INT0 pin while in Deep Sleep mode.

Note: Any interrupt pending when entering Deep Sleep mode is cleared.

Exiting Deep Sleep generally does not retain the state of the device and is equivalent to a Power-on Reset (POR) of the device. Exceptions to this include the RTCC (if present), which remains operational through the wake-up, the DSGPRx registers and DSWDT.

Wake-up events that occur from the time Deep Sleep exits, until the time the POR sequence completes, are not ignored. The DSWAKE register will capture ALL wake-up events, from setting DSEN to clearing RELEASE.

The sequence for exiting Deep Sleep mode is:

1. After a wake-up event, the device exits Deep Sleep and performs a POR. The DSEN bit is cleared automatically. Code execution resumes at the Reset vector.
2. To determine if the device exited Deep Sleep, read the Deep Sleep bit, DPSLP (RCON[10]). This bit will be set if there was an exit from Deep Sleep mode. If the bit is set, clear it.
3. Determine the wake-up source by reading the DSWAKE register.
4. Determine if a DSBOR event occurred during Deep Sleep mode by reading the DSBOR bit (DSCON[1]).
5. If application context data have been saved, read them back from the DSGPR0 and DSGPR1 registers.
6. Clear the RELEASE bit (DSCON[0]).

10.4.3 SAVING CONTEXT DATA WITH THE DSGPRx REGISTERS

As exiting Deep Sleep mode causes a POR, most Special Function Registers reset to their default POR values. In addition, because V_{CORE} power is not supplied in Deep Sleep mode, information in data RAM may be lost when exiting this mode.

Applications which require critical data to be saved prior to Deep Sleep may use the Deep Sleep General Purpose registers, DSGPR0 and DSGPR1, or data EEPROM (if available). Unlike other SFRs, the contents of these registers are preserved while the device is in Deep Sleep mode. After exiting Deep Sleep, software can restore the data by reading the registers and clearing the RELEASE bit (DSCON[0]).

10.4.4 I/O PINS IN DEEP SLEEP MODES

During Deep Sleep, the general purpose I/O pins retain their previous states and the Secondary Oscillator (SOSC) will remain running, if enabled. Pins that are configured as inputs (TRISx bit is set), prior to entry into Deep Sleep, remain high-impedance during Deep Sleep. Pins that are configured as outputs (TRISx bit is clear), prior to entry into Deep Sleep, remain as output pins during Deep Sleep. While in this mode, they continue to drive the output level determined by their corresponding LATx bit at the time of entry into Deep Sleep.

PIC24FJ256GA412/GB412 FAMILY

Once the device wakes back up, all I/O pins continue to maintain their previous states, even after the device has finished the POR sequence and is executing application code again. Pins configured as inputs during Deep Sleep remain high-impedance and pins configured as outputs continue to drive their previous value. After waking up, the TRISx and LATx registers, and the SOSCEN bit (OSCCON[1]), are reset. If firmware modifies any of these bits or registers, the I/O will not immediately go to the newly configured states. Once the firmware clears the RELEASE bit (DSCON[0]), the I/O pins are “released”. This causes the I/O pins to take the states configured by their respective TRISx and LATx bit values.

This means that keeping the SOSC running after waking up requires the SOSCEN bit to be set before clearing RELEASE.

If the Deep Sleep BOR (DSBOR) is enabled, and a DSBOR or a true POR event occurs during Deep Sleep, the I/O pins will be immediately released, similar to clearing the RELEASE bit. All previous state information will be lost, including the general purpose DSGPR0 and DSGPR1 contents.

If a MCLR Reset event occurs during Deep Sleep, the DSGPRx, DSCON and DSWAKE registers will remain valid, and the RELEASE bit will remain set. The state of the SOSC will also be retained. The I/O pins, however, will be reset to their MCLR Reset state. Since RELEASE is still set, changes to the SOSCEN bit (OSCCON[1]) cannot take effect until the RELEASE bit is cleared.

In all other Deep Sleep wake-up cases, application firmware must clear the RELEASE bit in order to reconfigure the I/O pins.

10.4.5 DEEP SLEEP WDT

To enable the DSWDT in Deep Sleep mode, program the Configuration bit, DSWDTEN (FDS[7]). The device WDT need not be enabled for the DSWDT to function. Entry into Deep Sleep modes automatically resets the DSWDT.

The DSWDT clock source is selected by the DSWDTOSC Configuration bit (FDS[5]). The postscaler options are programmed by the DSWDTPS[4:0] Configuration bits (FDS[4:0]). The minimum time-out period that can be achieved is 1 ms and the maximum is 25.7 days. For more details on DSWDT configuration options, refer to [Section 33.0 “Special Features”](#).

10.4.5.1 Switching Clocks in Deep Sleep Mode

Both the RTCC and the DSWDT may run from either SOSC or the LPRC clock source. This allows both the RTCC and DSWDT to run without requiring both the LPRC and SOSC to be enabled together, reducing power consumption.

Running the RTCC from LPRC will result in a loss of accuracy in the RTCC, of approximately 5 to 10%. If a more accurate RTCC is required, it must be run from the SOSC clock source. The RTCC clock source is selected with the CLKSEL[1:0] bits (RTCCON2L[1:0]).

Under certain circumstances, it is possible for the DSWDT clock source to be off when entering Deep Sleep mode. In this case, the clock source is turned on automatically (if DSWDT is enabled) without the need for software intervention. However, this can cause a delay in the start of the DSWDT counters. In order to avoid this delay when using SOSC as a clock source, the application can activate SOSC prior to entering Deep Sleep mode.

10.4.6 CHECKING AND CLEARING THE STATUS OF DEEP SLEEP

Upon entry into Deep Sleep mode, the status bit, DPSLP (RCON[10]), becomes set and must be cleared by the software.

On power-up, the software should read this status bit to determine if the Reset was due to an exit from Deep Sleep mode and clear the bit if it is set. Of the four possible combinations of DPSLP and POR bit states, three cases can be considered:

- Both the DPSLP and POR bits are cleared. In this case, the Reset was due to some event other than a Deep Sleep mode exit.
- The DPSLP bit is clear, but the POR bit is set; this is a normal POR.
- Both the DPSLP and POR bits are set. This means that Deep Sleep mode was entered, the device was powered down and Deep Sleep mode was exited.

10.4.7 POWER-ON RESETS (PORs)

VDD voltage is monitored to produce PORs. Since exiting from Deep Sleep mode functionally looks like a POR, the technique described in [Section 10.4.6 “Checking and Clearing the Status of Deep Sleep”](#) should be used to distinguish between Deep Sleep and a true POR event. When a true POR occurs, the entire device, including all Deep Sleep logic (Deep Sleep registers, RTCC, DSWDT, etc.), is reset.

PIC24FJ256GA412/GB412 FAMILY

10.5 VBAT Mode

This mode represents the lowest power state that the microcontroller can achieve and still resume operation. VBAT mode is automatically triggered when the microcontroller's main power supply on VDD fails. When this happens, the microcontroller's on-chip power switch connects to a backup power source, such as a battery, supplied to the VBAT pin. This maintains a few key systems at an extremely low-power draw until VDD is restored.

The power supplied on VBAT only runs two systems: the RTCC and the Deep Sleep Semaphore registers (DSGPR0 and DSGPR1). To maintain these systems during a sudden loss of VDD, it is essential to connect a power source, other than VDD or AVDD, to the VBAT pin.

When the RTCC is enabled, it continues to operate with the same clock source (SOSC or LPRC) that was selected prior to entering VBAT mode. There is no provision to switch to a lower power clock source after the mode switch.

Since the loss of VDD is usually an unforeseen event, it is recommended that the contents of the Deep Sleep Semaphore registers be loaded with the data to be retained at an early point in code execution.

10.5.1 WAKE-UP FROM VBAT MODES

When VDD is restored to a device in VBAT mode, it automatically wakes. Wake-up occurs with a POR, after which, the device starts executing code from the Reset vector. All SFRs, except the Deep Sleep Semaphore registers, are reset to their POR values. Wake-up timing is similar to that for a normal POR.

To differentiate a wake-up from VBAT mode from other POR states, check the VBAT status bit (RCON2[0]). If this bit is set while the device is starting to execute the code from the Reset vector, it indicates that there has been an exit from VBAT mode. The application must clear the VBAT bit to ensure that future VBAT wake-up events are captured.

If a POR occurs without a power source connected to the VBAT pin, the VBPOr bit (RCON2[1]) is set. If this bit is set on a POR, it indicates that a battery needs to be connected to the VBAT pin.

In addition, if the VBAT power source falls below the level needed for Deep Sleep semaphore operation while in VBAT mode (e.g., the battery has been drained), the VBPOr bit will be set. VBPOr is also set when the microcontroller is powered up the very first time, even if power is supplied to VBAT.

10.5.2 I/O PINS DURING VBAT MODES

All I/O pins switch to Input mode during VBAT mode. The only exceptions are the SOSC1 and SOSC0 pins, which maintain their states if the Secondary Oscillator is being used as the RTCC clock source. It is the user's responsibility to restore the I/O pins to their proper states, using the TRISx and LATx bits, once VDD has been restored.

10.5.3 SAVING CONTEXT DATA WITH THE DSGPRx REGISTERS

As with Deep Sleep mode (i.e., without the low-voltage/retention regulator), all SFRs are reset to their POR values after VDD has been restored. Only the Deep Sleep Semaphore registers are preserved. Applications which require critical data to be saved should save it in DSGPR0 and DSGPR1.

Note: If the VBAT mode is not used, it is recommended to connect the VBAT pin to VDD.

The POR should be enabled for the reliable operation of the VBAT.

PIC24FJ256GA412/GB412 FAMILY

REGISTER 10-1: DSCON: DEEP SLEEP CONTROL REGISTER⁽¹⁾

R/W-0	U-0	U-0	R/W-0	R/W-0	U-0	U-0	U-0
DSEN	—	—	RTCCMD	KEYRAMEN	—	—	—
bit 15							bit 8

U-0	U-0	U-0	U-0	U-0	R/W-0	R/W-0	HS/R/C-0
—	—	—	—	—	WAKEDIS	DSBOR ⁽²⁾	RELEASE
bit 7							bit 0

Legend:	C = Clearable bit	HS = Hardware Settable bit
R = Readable bit	W = Writable bit	U = Unimplemented bit, read as '0'
-n = Value at POR	'1' = Bit is set	'0' = Bit is cleared x = Bit is unknown

- bit 15 **DSEN:** Deep Sleep Enable bit
 1 = Enters Deep Sleep on execution of PWRSAV #0
 0 = Enters normal Sleep on execution of PWRSAV #0
- bit 14-13 **Unimplemented:** Read as '0'
- bit 12 **RTCCMD:** RTCC Module Disable bit
 1 = Module is disabled
 0 = Module power and clock sources are enabled
- bit 11 **KEYRAMEN:** Cryptographic Engine Key RAM Deep Sleep Enable bit
 1 = Power is maintained to Key RAM during Deep Sleep and VBAT modes
 0 = Power is disabled during Deep Sleep and VBAT modes
- bit 10-3 **Unimplemented:** Read as '0'
- bit 2 **WAKEDIS:** External Wake-up Source Disable bit
 1 = External wake-up source is disabled and ignored during Deep Sleep modes
 0 = External wake-up source is enabled and can be used to wake device from Deep Sleep
- bit 1 **DSBOR:** Deep Sleep BOR Event bit⁽²⁾
 1 = The DSBOR was active and a BOR event was detected during Deep Sleep
 0 = The DSBOR was not active, or was active, but did not detect a BOR event during Deep Sleep
- bit 0 **RELEASE:** I/O Pin State Release bit
 1 = Upon waking from Deep Sleep, I/O pins maintain their states previous to Deep Sleep entry
 0 = Releases I/O pins from their state previous to Deep Sleep entry, and allows their respective TRISx and LATx bits to control their states

- Note 1:** All register bits are reset only in the case of a POR event outside of Deep Sleep mode.
- Note 2:** Unlike all other events, a Deep Sleep BOR event will NOT cause a wake-up from Deep Sleep; this re-arms the POR.

PIC24FJ256GA412/GB412 FAMILY

REGISTER 10-2: DSWAKE: DEEP SLEEP WAKE-UP SOURCE REGISTER⁽¹⁾

U-0	U-0	U-0	U-0	U-0	U-0	U-0	HS/R/W-0
—	—	—	—	—	—	—	DSINT0
bit 15							bit 8

HS/R/W-0	U-0	U-0	HS/R/W-0	HS/R/W-0	HS/R/W-0	U-0	U-0
DSFLT	—	—	DSWDT	DSRTCC	DSMCLR	—	—
bit 7							bit 0

Legend:	HS = Hardware Settable bit
R = Readable bit	W = Writable bit
-n = Value at POR	'1' = Bit is set
	'0' = Bit is cleared
	x = Bit is unknown
	U = Unimplemented bit, read as '0'

- bit 15-9 **Unimplemented:** Read as '0'
- bit 8 **DSINT0:** Deep Sleep Interrupt-on-Change bit
 - 1 = Interrupt-on-change was asserted during Deep Sleep
 - 0 = Interrupt-on-change was not asserted during Deep Sleep
- bit 7 **DSFLT:** Deep Sleep Fault Detect bit
 - 1 = A Fault occurred during Deep Sleep and some Deep Sleep configuration settings may have been corrupted
 - 0 = No Fault was detected during Deep Sleep
- bit 6-5 **Unimplemented:** Read as '0'
- bit 4 **DSWDT:** Deep Sleep Watchdog Timer Time-out bit
 - 1 = The Deep Sleep Watchdog Timer timed out during Deep Sleep
 - 0 = The Deep Sleep Watchdog Timer did not time out during Deep Sleep
- bit 3 **DSRTCC:** Deep Sleep Real-Time Clock and Calendar Alarm bit
 - 1 = The Real-Time Clock and Calendar triggered an alarm during Deep Sleep
 - 0 = The Real-Time Clock and Calendar did not trigger an alarm during Deep Sleep
- bit 2 **DSMCLR:** Deep Sleep MCLR Event bit
 - 1 = The MCLR pin was active and was asserted during Deep Sleep
 - 0 = The MCLR pin was not active, or was active, but not asserted during Deep Sleep
- bit 1-0 **Unimplemented:** Read as '0'

Note 1: All register bits are cleared when the DSEN (DSCON[15]) bit is set.

PIC24FJ256GA412/GB412 FAMILY

REGISTER 10-3: RCON2: RESET AND SYSTEM CONTROL REGISTER 2

U-0	U-0	U-0	U-0	U-0	U-0	U-0	U-0
—	—	—	—	—	—	—	—
bit 15							bit 8

U-0	U-0	U-0	r-0	R/CO-1	R/CO-1	R/CO-1	R/CO-0
—	—	—	—	VDDBOR ⁽¹⁾	VDDPOR ^(1,2)	VBPOR ^(1,3)	VBAT ⁽¹⁾
bit 7							bit 0

Legend:	r = Reserved bit	CO = Clearable Only bit
R = Readable bit	W = Writable bit	U = Unimplemented bit, read as '0'
-n = Value at POR	'1' = Bit is set	'0' = Bit is cleared x = Bit is unknown

- bit 15-5 **Unimplemented:** Read as '0'
- bit 4 **Reserved:** Maintain as '0'
- bit 3 **VDDBOR:** VDD Brown-out Reset Flag bit⁽¹⁾
 1 = A VDD Brown-out Reset has occurred (set by hardware)
 0 = A VDD Brown-out Reset has not occurred
- bit 2 **VDDPOR:** VDD Power-on Reset Flag bit^(1,2)
 1 = A VDD Power-on Reset has occurred (set by hardware)
 0 = A VDD Power-on Reset has not occurred
- bit 1 **VBPOR:** VBAT Power-on Reset Flag bit^(1,3)
 1 = A VBAT POR has occurred (no battery connected to the VBAT pin or VBAT power is below Deep Sleep semaphore retention level, set by hardware)
 0 = A VBAT POR has not occurred
- bit 0 **VBAT:** VBAT Flag bit⁽¹⁾
 1 = A POR exit has occurred while power was applied to the VBAT pin (set by hardware)
 0 = A POR exit from VBAT has not occurred

- Note 1:** This bit is set in hardware only; it can only be cleared in software.
- Note 2:** This indicates a VDD POR. Setting the POR bit (RCON[0]) indicates a V_{CORE} POR.
- Note 3:** This bit is set when the device is originally powered up, even if power is present on VBAT.

PIC24FJ256GA412/GB412 FAMILY

10.6 Clock Frequency and Clock Switching

In Run and Idle modes, all PIC24FJ devices allow for a wide range of clock frequencies to be selected under application control. If the system clock configuration is not locked, users can choose low-power or high-precision oscillators by simply changing the NOSCx bits. The process of changing a system clock during operation, as well as limitations to the process, are discussed in more detail in [Section 9.0 “Oscillator Configuration”](#).

10.7 Doze Mode

Generally, changing clock speed and invoking one of the power-saving modes are the preferred strategies for reducing power consumption. There may be circumstances, however, where this is not practical. For example, it may be necessary for an application to maintain uninterrupted synchronous communication, even while it is doing nothing else. Reducing system clock speed may introduce communication errors, while using a power-saving mode may stop communications completely.

Doze mode is a simple and effective alternative method to reduce power consumption while the device is still executing code. In this mode, the system clock continues to operate from the same source and at the same speed. Peripheral modules continue to be clocked at the same speed, while the CPU clock speed is reduced. Synchronization between the two clock domains is maintained, allowing the peripherals to access the SFRs while the CPU executes code at a slower rate.

Doze mode is enabled by setting the DOZEN bit (CLKDIV[11]). The ratio between peripheral and core clock speed is determined by the DOZE[2:0] bits (CLKDIV[14:12]). There are eight possible configurations, from 1:1 to 1:128, with 1:8 being the default.

It is also possible to use Doze mode to selectively reduce power consumption in event-driven applications. This allows clock-sensitive functions, such as synchronous communications, to continue without interruption while the CPU Idles, waiting for something to invoke an interrupt routine. Enabling the automatic return to full-speed CPU operation on interrupts is enabled by setting the ROI bit (CLKDIV[15]). By default, interrupt events have no effect on Doze mode operation.

10.8 Selective Peripheral Module Control

Idle and Doze modes allow users to substantially reduce power consumption by slowing or stopping the CPU clock. Even so, peripheral modules still remain clocked, and thus, consume power. There may be cases where the application needs what these modes do not provide: the allocation of power resources to the CPU processing with minimal power consumption from the peripherals.

PIC24F devices address this requirement by allowing peripheral modules to be selectively disabled, reducing or eliminating their power consumption. This can be done with two control bits:

- The Peripheral Enable bit, generically named, “XXXEN”, located in the module’s main control SFR.
- The Peripheral Module Disable (PMD) bit, located in one of the PMDx registers ([Register 10-4](#) through [Register 10-11](#)).

Both bits have similar functions in enabling or disabling its associated module. Setting the PMDx bit for a module disables all clock sources to that module, reducing its power consumption to an absolute minimum. In this state, the control and status registers associated with the peripheral will also be disabled, so writes to those registers will have no effect and read values will be invalid. Many peripheral modules have a corresponding PMDx bit.

In contrast, disabling a module by clearing its XXXEN bit disables its functionality, but leaves its registers available to be read and written to. Power consumption is reduced, but not by as much as when the PMDx bits are used. Most peripheral modules have an enable bit; exceptions include capture, compare and RTCC.

To achieve more selective power savings, peripheral modules can also be selectively disabled when the device enters Idle mode. This is done through the control bit of the generic name format, “XXXIDL”. By default, all modules that can operate during Idle mode will do so. Using the disable on Idle feature disables the module while in Idle mode, allowing further reduction of power consumption during Idle mode, enhancing power savings for extremely critical power applications.

PIC24FJ256GA412/GB412 FAMILY

REGISTER 10-4: PMD1: PERIPHERAL MODULE DISABLE REGISTER 1

R/W-0	R/W-0	R/W-0	R/W-0	R/W-0	U-0	U-0	U-0
T5MD	T4MD	T3MD	T2MD	T1MD	—	—	—
bit 15							bit 8

R/W-0	R/W-0	R/W-0	R/W-0	R/W-0	U-0	U-0	R/W-0
I2C1MD	U2MD	U1MD	SPI2MD	SPI1MD	—	—	ADC1MD
bit 7							bit 0

Legend:

R = Readable bit	W = Writable bit	U = Unimplemented bit, read as '0'
-n = Value at POR	'1' = Bit is set	'0' = Bit is cleared x = Bit is unknown

- bit 15 **T5MD:** Timer5 Module Disable bit
1 = Module is disabled
0 = Module power and clock sources are enabled
- bit 14 **T4MD:** Timer4 Module Disable bit
1 = Module is disabled
0 = Module power and clock sources are enabled
- bit 13 **T3MD:** Timer3 Module Disable bit
1 = Module is disabled
0 = Module power and clock sources are enabled
- bit 12 **T2MD:** Timer2 Module Disable bit
1 = Module is disabled
0 = Module power and clock sources are enabled
- bit 11 **T1MD:** Timer1 Module Disable bit
1 = Module is disabled
0 = Module power and clock sources are enabled
- bit 10-8 **Unimplemented:** Read as '0'
- bit 7 **I2C1MD:** I2C1 Module Disable bit
1 = Module is disabled
0 = Module power and clock sources are enabled
- bit 6 **U2MD:** UART2 Module Disable bit
1 = Module is disabled
0 = Module power and clock sources are enabled
- bit 5 **U1MD:** UART1 Module Disable bit
1 = Module is disabled
0 = Module power and clock sources are enabled
- bit 4 **SPI2MD:** SPI2 Module Disable bit
1 = Module is disabled
0 = Module power and clock sources are enabled
- bit 3 **SPI1MD:** SPI1 Module Disable bit
1 = Module is disabled
0 = Module power and clock sources are enabled
- bit 2-1 **Unimplemented:** Read as '0'
- bit 0 **ADC1MD:** A/D Converter Module Disable bit
1 = Module is disabled
0 = Module power and clock sources are enabled

PIC24FJ256GA412/GB412 FAMILY

REGISTER 10-5: PMD2: PERIPHERAL MODULE DISABLE REGISTER 2

U-0	U-0	R/W-0	R/W-0	R/W-0	R/W-0	R/W-0	R/W-0
—	—	IC6MD	IC5MD	IC4MD	IC3MD	IC2MD	IC1MD
bit 15							bit 8

U-0	U-0	R/W-0	R/W-0	R/W-0	R/W-0	R/W-0	R/W-0
—	—	OC6MD	OC5MD	OC4MD	OC3MD	OC2MD	OC1MD
bit 7							bit 0

Legend:

R = Readable bit

W = Writable bit

U = Unimplemented bit, read as '0'

-n = Value at POR

'1' = Bit is set

'0' = Bit is cleared

x = Bit is unknown

- bit 15-14 **Unimplemented:** Read as '0'
- bit 13 **IC6MD:** Input Capture 6 Module Disable bit
 1 = Module is disabled
 0 = Module power and clock sources are enabled
- bit 12 **IC5MD:** Input Capture 5 Module Disable bit
 1 = Module is disabled
 0 = Module power and clock sources are enabled
- bit 11 **IC4MD:** Input Capture 4 Module Disable bit
 1 = Module is disabled
 0 = Module power and clock sources are enabled
- bit 10 **IC3MD:** Input Capture 3 Module Disable bit
 1 = Module is disabled
 0 = Module power and clock sources are enabled
- bit 9 **IC2MD:** Input Capture 2 Module Disable bit
 1 = Module is disabled
 0 = Module power and clock sources are enabled
- bit 8 **IC1MD:** Input Capture 1 Module Disable bit
 1 = Module is disabled
 0 = Module power and clock sources are enabled
- bit 7-6 **Unimplemented:** Read as '0'
- bit 5 **OC6MD:** Output Capture 6 Module Disable bit
 1 = Module is disabled
 0 = Module power and clock sources are enabled
- bit 4 **OC5MD:** Output Capture 5 Module Disable bit
 1 = Module is disabled
 0 = Module power and clock sources are enabled
- bit 3 **OC4MD:** Output Capture 4 Module Disable bit
 1 = Module is disabled
 0 = Module power and clock sources are enabled
- bit 2 **OC3MD:** Output Capture 3 Module Disable bit
 1 = Module is disabled
 0 = Module power and clock sources are enabled
- bit 1 **OC2MD:** Output Capture 2 Module Disable bit
 1 = Module is disabled
 0 = Module power and clock sources are enabled
- bit 0 **OC1MD:** Output Capture 1 Module Disable bit
 1 = Module is disabled
 0 = Module power and clock sources are enabled

PIC24FJ256GA412/GB412 FAMILY

REGISTER 10-6: PMD3: PERIPHERAL MODULE DISABLE REGISTER 3

U-0	U-0	U-0	U-0	U-0	R/W-0	U-0	R/W-0
—	—	—	—	—	CMPMD	—	PMMD
bit 15						bit 8	

R/W-0	R/W-0	U-0	U-0	R/W-0	R/W-0	R/W-0	U-0
CRCMD	DACMD	—	—	U3MD	I2C3MD	I2C2MD	—
bit 7						bit 0	

Legend:

R = Readable bit W = Writable bit U = Unimplemented bit, read as '0'
 -n = Value at POR '1' = Bit is set '0' = Bit is cleared x = Bit is unknown

- bit 15-11 **Unimplemented:** Read as '0'
- bit 10 **CMPMD:** Triple Comparator Module Disable bit
 1 = Module is disabled
 0 = Module power and clock sources are enabled
- bit 9 **Unimplemented:** Read as '0'
- bit 8 **PMMD:** Enhanced Parallel Master Port Disable bit
 1 = Module is disabled
 0 = Module power and clock sources are enabled
- bit 7 **CRCMD:** CRC Module Disable bit
 1 = Module is disabled
 0 = Module power and clock sources are enabled
- bit 6 **DACMD:** DAC Module Disable bit
 1 = Module is disabled
 0 = Module power and clock sources are enabled
- bit 5-4 **Unimplemented:** Read as '0'
- bit 3 **U3MD:** UART3 Module Disable bit
 1 = Module is disabled
 0 = Module power and clock sources are enabled
- bit 2 **I2C3MD:** I2C3 Module Disable bit
 1 = Module is disabled
 0 = Module power and clock sources are enabled
- bit 1 **I2C2MD:** I2C2 Module Disable bit
 1 = Module is disabled
 0 = Module power and clock sources are enabled
- bit 0 **Unimplemented:** Read as '0'

PIC24FJ256GA412/GB412 FAMILY

REGISTER 10-7: PMD4: PERIPHERAL MODULE DISABLE REGISTER 4

U-0	U-0	U-0	U-0	U-0	U-0	U-0	U-0
—	—	—	—	—	—	—	—
bit 15							bit 8

U-0	U-0	R/W-0	U-0	R/W-0	R/W-0	R/W-0	R/W-0
—	—	U4MD	—	REFOMD	CTMUMD	LVDMD	USB1MD
bit 7							bit 0

Legend:

R = Readable bit W = Writable bit U = Unimplemented bit, read as '0'
 -n = Value at POR '1' = Bit is set '0' = Bit is cleared x = Bit is unknown

- bit 15-6 **Unimplemented:** Read as '0'
- bit 5 **U4MD:** UART4 Module Disable bit
 1 = Module is disabled
 0 = Module power and clock sources are enabled
- bit 4 **Unimplemented:** Read as '0'
- bit 3 **REFOMD:** Reference Output Clock Disable bit
 1 = Module is disabled
 0 = Module power and clock sources are enabled
- bit 2 **CTMUMD:** CTMU Module Disable bit
 1 = Module is disabled
 0 = Module power and clock sources are enabled
- bit 1 **LVDMD:** High/Low-Voltage Detect Module Disable bit
 1 = Module is disabled
 0 = Module power and clock sources are enabled
- bit 0 **USB1MD:** USB On-The-Go Module Disable bit
 1 = Module is disabled
 0 = Module power and clock sources are enabled

PIC24FJ256GA412/GB412 FAMILY

REGISTER 10-8: PMD5: PERIPHERAL MODULE DISABLE REGISTER 5

U-0	U-0	U-0	U-0	U-0	U-0	U-0	U-0
—	—	—	—	—	—	—	—
bit 15							bit 8

U-0	R/W-0	R/W-0	R/W-0	R/W-0	R/W-0	R/W-0	R/W-0
—	CCP7MD	CCP6MD	CCP5MD	CCP4MD	CCP3MD	CCP2MD	CCP1MD
bit 7							bit 0

Legend:

R = Readable bit

W = Writable bit

U = Unimplemented bit, read as '0'

-n = Value at POR

'1' = Bit is set

'0' = Bit is cleared

x = Bit is unknown

- bit 15-7 **Unimplemented:** Read as '0'
- bit 6 **CCP7MD:** SCCP7 Module Disable bit
 1 = Module is disabled
 0 = Module power and clock sources are enabled
- bit 5 **CCP6MD:** SCCP6 Module Disable bit
 1 = Module is disabled
 0 = Module power and clock sources are enabled
- bit 4 **CCP5MD:** SCCP5 Module Disable bit
 1 = Module is disabled
 0 = Module power and clock sources are enabled
- bit 3 **CCP4MD:** SCCP4 Module Disable bit
 1 = Module is disabled
 0 = Module power and clock sources are enabled
- bit 2 **CCP3MD:** SCCP3 Module Disable bit
 1 = Module is disabled
 0 = Module power and clock sources are enabled
- bit 1 **CCP2MD:** SCCP2 Module Disable bit
 1 = Module is disabled
 0 = Module power and clock sources are enabled
- bit 0 **CCP1MD:** MCCP1 Module Disable bit
 1 = Module is disabled
 0 = Module power and clock sources are enabled

PIC24FJ256GA412/GB412 FAMILY

REGISTER 10-9: PMD6: PERIPHERAL MODULE DISABLE REGISTER 6

U-0	U-0	U-0	U-0	U-0	U-0	U-0	U-0
—	—	—	—	—	—	—	—
bit 15							bit 8

U-0	R/W-0	U-0	U-0	U-0	U-0	R/W-0	R/W-0
—	LCDMD	—	—	—	—	SPI4MD	SPI3MD
bit 7							bit 0

Legend:

R = Readable bit W = Writable bit U = Unimplemented bit, read as '0'
 -n = Value at POR '1' = Bit is set '0' = Bit is cleared x = Bit is unknown

- bit 15-7 **Unimplemented:** Read as '0'
- bit 6 **LCDMD:** LCD Controller Module Disable bit
 1 = Module is disabled
 0 = Module power and clock sources are enable
- bit 5-2 **Unimplemented:** Read as '0'
- bit 1 **SPI4MD:** SPI4 Module Disable bit
 1 = Module is disabled
 0 = Module power and clock sources are enabled
- bit 0 **SPI3MD:** SPI3 Module Disable bit
 1 = Module is disabled
 0 = Module power and clock sources are enabled

REGISTER 10-10: PMD7: PERIPHERAL MODULE DISABLE REGISTER 7

U-0	U-0	U-0	U-0	U-0	U-0	U-0	U-0
—	—	—	—	—	—	—	—
bit 15							bit 8

U-0	U-0	R/W-0	R/W-0	U-0	U-0	U-0	U-0
—	—	DMA1MD	DMA0MD	—	—	—	—
bit 7							bit 0

Legend:

R = Readable bit W = Writable bit U = Unimplemented bit, read as '0'
 -n = Value at POR '1' = Bit is set '0' = Bit is cleared x = Bit is unknown

- bit 15-6 **Unimplemented:** Read as '0'
- bit 5 **DMA1MD:** DMA1 Controller (Channels 4 and 5) Disable bit
 1 = Controller is disabled
 0 = Controller power and clock sources are enabled
- bit 4 **DMA0MD:** DMA0 Controller (Channels 0 through 3) Disable bit
 1 = Controller is disabled
 0 = Controller power and clock sources are enabled
- bit 3-0 **Unimplemented:** Read as '0'

PIC24FJ256GA412/GB412 FAMILY

REGISTER 10-11: PMD8: PERIPHERAL MODULE DISABLE REGISTER 8

U-0	U-0	U-0	U-0	U-0	U-0	U-0	U-0
—	—	—	—	—	—	—	—
bit 15							bit 8

R/W-0	R/W-0	R/W-0	R/W-0	R/W-0	R/W-0	U-0	R/W-0
U6MD	U5MD	CLC4MD	CLC3MD	CLC2MD	CLC1MD	—	CRYMD
bit 7							bit 0

Legend:

R = Readable bit W = Writable bit U = Unimplemented bit, read as '0'
 -n = Value at POR '1' = Bit is set '0' = Bit is cleared x = Bit is unknown

- bit 15-8 **Unimplemented:** Read as '0'
- bit 7 **U6MD:** UART6 Module Disable bit
 1 = Module is disabled
 0 = Module power and clock sources are enabled
- bit 6 **U5MD:** UART5 Module Disable bit
 1 = Module is disabled
 0 = Module power and clock sources are enabled
- bit 5 **CLC4MD:** CLC4 Module Disable bit
 1 = Module is disabled
 0 = Module power and clock sources are enabled
- bit 4 **CLC3MD:** CLC3 Module Disable bit
 1 = Module is disabled
 0 = Module power and clock sources are enabled
- bit 3 **CLC2MD:** CLC2 Module Disable bit
 1 = Module is disabled
 0 = Module power and clock sources are enabled
- bit 2 **CLC1MD:** CLC1 Module Disable bit
 1 = Module is disabled
 0 = Module power and clock sources are enabled
- bit 1 **Unimplemented:** Read as '0'
- bit 0 **CRYMD:** Cryptographic Engine Disable bit
 1 = Module is disabled
 0 = Module power and clock sources are enabled

PIC24FJ256GA412/GB412 FAMILY

11.0 I/O PORTS

Note: This data sheet summarizes the features of this group of PIC24F devices. It is not intended to be a comprehensive reference source. For more information, refer to the “*dsPIC33/PIC24 Family Reference Manual*”, “**I/O Ports with Interrupt-on-Change (IOC)**” (www.microchip.com/DS70005186). The information in this data sheet supersedes the information in the FRM.

All of the device pins (except V_{DD}, V_{SS}, $\overline{\text{MCLR}}$ and OSC/CLKI) are shared between the peripherals and the Parallel I/O ports. All I/O input ports feature Schmitt Trigger (ST) inputs for improved noise immunity.

11.1 Parallel I/O (PIO) Ports

A Parallel I/O port that shares a pin with a peripheral is, in general, subservient to the peripheral. The peripheral's output buffer data and control signals are provided to a pair of multiplexers. The multiplexers select whether the peripheral or the associated port has ownership of the output data and control signals of the I/O pin. The logic also prevents “loop through”, in which a port's digital output can drive the input of a peripheral that shares the same pin. [Figure 11-1](#) shows how ports are shared with other peripherals and the associated I/O pin to which they are connected.

When a peripheral is enabled and the peripheral is actively driving an associated pin, the use of the pin as a general purpose output pin is disabled. The I/O pin may be read, but the output driver for the parallel port bit will be disabled. If a peripheral is enabled, but the peripheral is not actively driving a pin, that pin may be driven by a port.

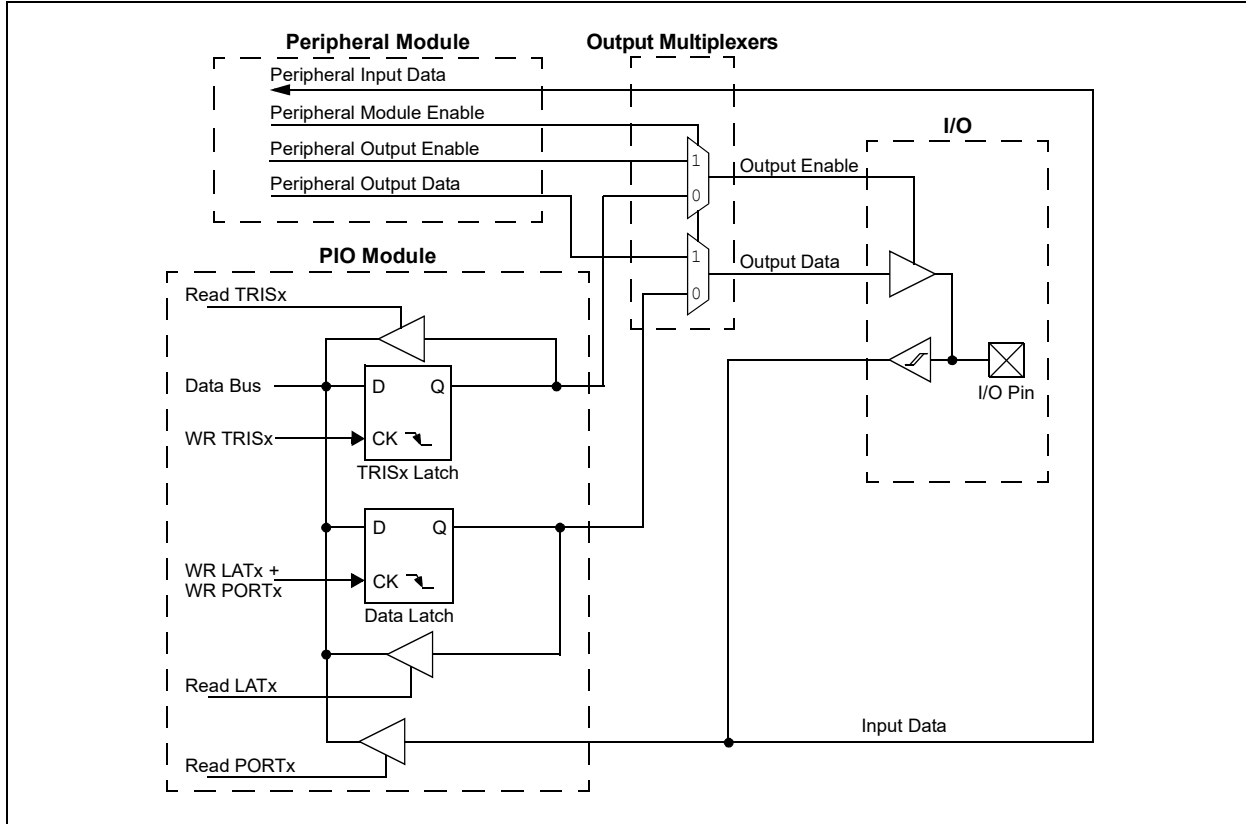
All port pins have three registers directly associated with their operation as digital I/Os and one register associated with their operation as analog inputs. The Data Direction register (TRIS) determines whether the pin is an input or an output. If the data direction bit is a ‘1’, then the pin is an input. All port pins are defined as inputs after a Reset. Reads from the Output Latch register (LAT), read the latch; writes to the latch, write the latch. Reads from the PORT register, read the port pins; writes to the port pins, write the latch.

Any bit and its associated data and control registers that are not valid for a particular device will be disabled. That means the corresponding LAT and TRIS registers, and the port pin, will read as zeros.

When a pin is shared with another peripheral or function that is defined as an input only, it is regarded as a dedicated port because there is no other competing source of inputs.

PIC24FJ256GA412/GB412 FAMILY

FIGURE 11-1: BLOCK DIAGRAM OF A TYPICAL SHARED PORT STRUCTURE



11.1.1 I/O PORT WRITE/READ TIMING

One instruction cycle is required between a port direction change or port write operation and a read operation of the same port. Typically, this instruction would be a `NOP`.

11.1.2 OPEN-DRAIN CONFIGURATION

In addition to the `PORTx`, `LATx` and `TRISx` registers for data control, each port pin can also be individually configured for either a digital or open-drain output. This is controlled by the Open-Drain Control register, `ODCx`, associated with each port. Setting any of the bits configures the corresponding pin to act as an open-drain output.

The open-drain feature allows the generation of outputs higher than V_{DD} (e.g., 5V) on any desired digital only pins by using external pull-up resistors. The maximum open-drain voltage allowed is the same as the maximum V_{IH} specification.

11.2 Configuring Analog Port Pins (ANSx)

The `ANSx` and `TRISx` registers control the operation of the pins with analog function. Each port pin with analog function is associated with one of the `ANSx` bits, which decides if the pin function should be analog or digital. Refer to [Table 11-1](#) for detailed behavior of the pin for different `ANSx` and `TRISx` bit settings.

When reading the `PORTx` register, all pins configured as analog input channels will read as cleared (a low level).

11.2.1 ANALOG INPUT PINS AND VOLTAGE CONSIDERATIONS

The voltage tolerance of pins used as device inputs is dependent on the pin's input function. Most input pins are able to handle DC voltages of up to 5.5V, a level typical for digital logic circuits. However, several pins can only tolerate voltages up to V_{DD} . Voltage excursions beyond V_{DD} on these pins should always be avoided.

Information on voltage tolerance is provided in the pinout diagrams in the beginning of this data sheet. For more information, refer to [Section 36.0 "Electrical Characteristics"](#) for more details.

TABLE 11-1: CONFIGURING ANALOG/DIGITAL FUNCTION OF AN I/O PIN

Pin Function	ANSx Setting	TRISx Setting	Comments
Analog Input	1	1	It is recommended to keep ANSx = 1.
Analog Output	1	1	It is recommended to keep ANSx = 1.
Digital Input	0	1	Firmware must wait at least one instruction cycle after configuring a pin as a digital input before a valid input value can be read.
Digital Output	0	0	Make sure to disable the analog output function on the pin if any is present.

11.3 I/O Ports Register Maps

TABLE 11-2: PORTA REGISTER MAP⁽¹⁾

Register Name	Bit Range	Bits															
		15	14	13	12	11	10	9	8	7	6	5	4	3	2	1	0
ANSA	15:0	ANSA[15:14]	—	—	—	ANSA[10:9]			—	ANSA[7:5]			—	ANSA[3:2]		—	ANSA0
TRISA	15:0	TRISA[15:14]	—	—	—	TRISA[10:9]			TRISA[7:0]								
PORTA	15:0	PORTA[15:14]	—	—	—	PORTA[10:9]			PORTA[7:0]								
LATA	15:0	LATA[15:14]	—	—	—	LATA[10:9]			LATA[7:0]								
ODCA	15:0	ODCA[15:14]	—	—	—	ODCA[10:9]			ODCA[7:0]								
IOCPA	15:0	IOCPA[15:14]	—	—	—	IOCPA[10:9]			IOCPA[7:0]								
IOCNA	15:0	IOCNA[15:14]	—	—	—	IOCNA[10:9]			IOCNA[7:0]								
IOCFB	15:0	IOCFB[15:14]	—	—	—	IOCFB[10:9]			IOCFB[7:0]								
IOCPUB	15:0	IOCPUB[15:14]	—	—	—	IOCPUB[10:9]			IOCPUB[7:0]								
IOCPDB	15:0	IOCPDB[15:14]	—	—	—	IOCPDB[10:9]			IOCPDB[7:0]								

Legend: — = unimplemented, read as '0'.

Note 1: Port register maps show full pin count devices. Please refer to [Table 1-4](#) and [Table 1-5](#) for pin count-specific port I/O implementation.

TABLE 11-3: PORTB REGISTER MAP⁽¹⁾

Register Name	Bit Range	Bits															
		15	14	13	12	11	10	9	8	7	6	5	4	3	2	1	0
ANSB	15:0	ANSB[15:0]															
TRISB	15:0	TRISB[15:0]															
PORTB	15:0	PORTB[15:0]															
LATB	15:0	LATB[15:0]															
ODCB	15:0	ODCB[15:0]															
IOCPB	15:0	IOCPB[15:0]															
IOCNB	15:0	IOCNB[15:0]															
IOCFB	15:0	IOCFB[15:0]															
IOCPUB	15:0	IOCPUB[15:0]															
IOCPDB	15:0	IOCPDB[15:0]															

Legend: — = unimplemented, read as '0'.

Note 1: Port register maps show full pin count devices. Please refer to [Table 1-4](#) and [Table 1-5](#) for pin count-specific port I/O implementation.

TABLE 11-4: PORTC REGISTER MAP⁽¹⁾

Register Name	Bit Range	Bits															
		15	14	13	12	11	10	9	8	7	6	5	4	3	2	1	0
ANSC	15:0	—	—	—	—	—	—	—	—	—	—	—	ANSC[4:1]				—
TRISC	15:0	TRISC15	—	—	TRISC12	—	—	—	—	—	—	—	TRISC[4:1]				—
PORTC	15:0	PORTC[15:12]				—	—	—	—	—	—	—	PORTC[4:1]				—
LATC	15:0	LATC15	—	—	LATC12	—	—	—	—	—	—	LATC[4:1]				—	
ODCC	15:0	ODCC15	—	—	ODCC12	—	—	—	—	—	—	ODCC[4:1]				—	
IOCPD	15:0	IOCPD[15:12]				—	—	—	—	—	—	—	IOCPD[4:1]				—
IOCNC	15:0	IOCNC[15:12]				—	—	—	—	—	—	—	IOCNC[4:1]				—
IOCFD	15:0	IOCFD[15:12]				—	—	—	—	—	—	—	IOCFD[4:1]				—
IOCPUD	15:0	IOCPUD[15:12]				—	—	—	—	—	—	—	IOCPUD[4:1]				—
IOCPDD	15:0	IOCPDD[15:12]				—	—	—	—	—	—	—	IOCPDD[4:1]				—

Legend: — = unimplemented, read as '0'.

Note 1: Port register maps show full pin count devices. Please refer to [Table 1-4](#) and [Table 1-5](#) for pin count-specific port I/O implementation.

TABLE 11-5: PORTD REGISTER MAP⁽¹⁾

Register Name	Bit Range	Bits															
		15	14	13	12	11	10	9	8	7	6	5	4	3	2	1	0
ANSD	15:0	ANSD[15:0]															
TRISD	15:0	TRISD[15:0]															
PORTD	15:0	PORTD[15:0]															
LATD	15:0	LATD[15:0]															
ODCD	15:0	ODCD[15:0]															
IOCPD	15:0	IOCPD[15:0]															
IOCND	15:0	IOCND[15:0]															
IOCFD	15:0	IOCFD[15:0]															
IOCPUD	15:0	IOCPUD[15:0]															
IOCPDD	15:0	IOCPDD[15:0]															

Legend: — = unimplemented, read as '0'.

Note 1: Port register maps show full pin count devices. Please refer to [Table 1-4](#) and [Table 1-5](#) for pin count-specific port I/O implementation.

TABLE 11-6: PORTE REGISTER MAP⁽¹⁾

Register Name	Bit Range	Bits																	
		15	14	13	12	11	10	9	8	7	6	5	4	3	2	1	0		
ANSE	15:0	—	—	—	—	—	—										ANSE[9:0]		
TRISE	15:0	—	—	—	—	—	—										TRISE[9:0]		
PORTE	15:0	—	—	—	—	—	—										PORTE[9:0]		
LATE	15:0	—	—	—	—	—	—										LATE[9:0]		
ODCE	15:0	—	—	—	—	—	—										ODCE[9:0]		
IOCPPE	15:0	—	—	—	—	—	—										IOCPPE[9:0]		
IOCNE	15:0	—	—	—	—	—	—										IOCNE[9:0]		
IOCFE	15:0	—	—	—	—	—	—										IOCFE[9:0]		
IOCPUE	15:0	—	—	—	—	—	—										IOCPUE[9:0]		
IOCPDE	15:0	—	—	—	—	—	—										IOCPDE[9:0]		

Legend: — = unimplemented, read as '0'.

Note 1: Port register maps show full pin count devices. Please refer to [Table 1-4](#) and [Table 1-5](#) for pin count-specific port I/O implementation.

TABLE 11-7: PORTF REGISTER MAP⁽¹⁾

Register Name	Bit Range	Bits																	
		15	14	13	12	11	10	9	8	7	6	5	4	3	2	1	0		
ANSF	15:0	—	—	ANSF[13:12]		—	—	—	ANSF8	—	—						ANSF[5:0]		
TRISF	15:0	—	—	TRISF[13:12]		—	—	—					TRISF[8:0] ⁽²⁾						
PORTF	15:0	—	—	PORTF[13:12]		—	—	—					PORTF[8:0]						
LATF	15:0	—	—	LATF[13:12]		—	—	—					LATF[8:0]						
ODCF	15:0	—	—	ODCF[13:12]		—	—	—					ODCF[8:0]						
IOCPF	15:0	—	—	IOCPF[13:12]		—	—	—					IOCPF[8:0]						
IOCNF	15:0	—	—	IOCNF[13:12]		—	—	—					IOCNF[8:0]						
IOCFE	15:0	—	—	IOCFE[13:12]		—	—	—					IOCFE[8:0]						
IOCPUF	15:0	—	—	IOCPUF[13:12]		—	—	—					IOCPUF[8:0]						
IOCPDF	15:0	—	—	IOCPDF[13:12]		—	—	—					IOCPDF[8:0]						

Legend: — = unimplemented, read as '0'.

Note 1: Port register maps show full pin count devices. Please refer to [Table 1-4](#) and [Table 1-5](#) for pin count-specific port I/O implementation.

2: TRISF6 is only available on PIC24FJXXXGB4XX devices.

TABLE 11-8: PORTG REGISTER MAP⁽¹⁾

Register Name	Bit Range	Bits															
		15	14	13	12	11	10	9	8	7	6	5	4	3	2	1	0
ANSG	15:0	ANSG[15:12]				—	—	ANSG[9:6]				—	—	—	—	ANSG[1:0]	
TRISG	15:0	TRISG[15:12]				—	—	TRISG[9:6]				—	—	TRISG[3:0]			
PORTG	15:0	PORTG[15:12]				—	—	PORTG[9:6]				—	—	PORTG[3:0]			
LATG	15:0	LATG[15:12]				—	—	LATG[9:6]				—	—	LATG[3:0]			
ODCG	15:0	ODCG[15:12]				—	—	ODCG[9:6]				—	—	ODCG[3:0]			
IOCPG	15:0	IOCPG[15:12]				—	—	IOCPG[9:6]				—	—	IOCPG[3:0]			
IOCNG	15:0	IOCNG[15:12]				—	—	IOCNG[9:6]				—	—	IOCNG[3:0]			
IOCFG	15:0	IOCFG[15:12]				—	—	IOCFG[9:6]				—	—	IOCFG[3:0]			
IOCPUG	15:0	IOCPUG[15:12]				—	—	IOCPUG[9:6]				—	—	IOCPUG[3:0]			
IOCPDG	15:0	IOCPDG[15:12]				—	—	IOCPDG[9:6]				—	—	IOCPDG[3:0]			

Legend: — = unimplemented, read as '0'.

Note 1: Port register maps show full pin count devices. Please refer to [Table 1-4](#) and [Table 1-5](#) for pin count-specific port I/O implementation.

TABLE 11-9: PORTH REGISTER MAP⁽¹⁾

Register Name	Bit Range	Bits																
		15	14	13	12	11	10	9	8	7	6	5	4	3	2	1	0	
ANSH	15:0	—	—	—	—	—	—	—	—	—	—	—	—	ANSH[4:1]				—
TRISH	15:0	TRISH[15:1]																
PORTH	15:0	PORTH[15:1]																
LATH	15:0	LATH[15:1]																
ODCH	15:0	ODCH[15:1]																
IOCPH	15:0	IOCPH[15:1]																
IOCNH	15:0	IOCNH[15:1]																
IOCFH	15:0	IOCFH[15:1]																
IOCPUH	15:0	IOCPUH[15:1]																
IOCPDH	15:0	IOCPDH[15:1]																

Legend: — = unimplemented, read as '0'.

Note 1: Port register maps show full pin count devices. Please refer to [Table 1-4](#) and [Table 1-5](#) for pin count-specific port I/O implementation.

PIC24FJ256GA412/GB412 FAMILY

TABLE 11-10: PORTJ REGISTER MAP⁽¹⁾

Register Name	Bit Range	Bits												
		15	14	13	12	11	10	9	8	7	6	5	4	3
TRISJ	15:0	—	—	—	—	—	—	—	—	—	—	—	—	—
PORTJ	15:0	—	—	—	—	—	—	—	—	—	—	—	—	—
LATJ	15:0	—	—	—	—	—	—	—	—	—	—	—	—	—
ODCJ	15:0	—	—	—	—	—	—	—	—	—	—	—	—	—
IOCPJ	15:0	—	—	—	—	—	—	—	—	—	—	—	—	—
IOCNJ	15:0	—	—	—	—	—	—	—	—	—	—	—	—	—
IOCFJ	15:0	—	—	—	—	—	—	—	—	—	—	—	—	—
IOCPUJ	15:0	—	—	—	—	—	—	—	—	—	—	—	—	—
IOCPDJ	15:0	—	—	—	—	—	—	—	—	—	—	—	—	—

Legend: — = unimplemented, read as '0'.

Note 1: Port register maps show full pin count devices. Please refer to [Table 1-4](#) and [Table 1-5](#) for pin count-specific port I/O implementation.

PIC24FJ256GA412/GB412 FAMILY

11.4 Interrupt-on-Change (IOC)

The interrupt-on-change function of the I/O ports allows the PIC24FJ256GA412/GB412 family of devices to generate interrupt requests to the processor in response to a Change-of-State (COS) on any of the input port pins. This feature is capable of detecting input Change-of-States, even in Sleep mode when the clocks are disabled.

Interrupt-on-change functionality is globally enabled by setting the IOCON bit in the PADCON register (Register 11-1). Functionality is then enabled for a particular pin by setting the IOCPx and/or IOCNx register bit for that pin. Setting a value of '1' in the IOCPx register enables interrupts for low-to-high transitions, while setting a value of '1' in the IOCNx register enables interrupts for high-to-low transitions. Setting a value of '1' in both register bits will enable interrupts for either case (e.g., a pulse on the pin will generate two interrupts).

When an interrupt request is generated for a pin, the corresponding status flag bit in the IOCFx register will be set, indicating that a Change-of-State occurred on that pin. The IOCFx register bit will remain set until cleared by writing a zero to it. When any IOCFx flag bit in a given port is set, the corresponding IOCPxF bit in the IOCSTAT register (Register 11-2) will also be set. This flag indicates that a change was detected on one of the bits on the given port. The IOCPxF flag will be cleared when all IOCFx[15:0] bits are cleared.

Multiple individual status flags can be cleared by writing a zero to one or more bits using a Read-Modify-Write operation. If another edge is detected on a pin whose status bit is being cleared during the Read-Modify-Write sequence, the associated change flag will still be set at the end of the Read-Modify-Write sequence.

The user should use the instruction sequence (or equivalent) shown in Example 11-1 to clear the Interrupt-on-Change Status registers.

At the end of this sequence, the W0 register will contain a zero for each bit for which the port pin had a change detected. In this way, any indication of a pin changing will not be lost.

Due to the asynchronous and real-time nature of the interrupt-on-change, the value read on the port pins may not indicate the state of the port when the change was detected, as a second change can occur during the interval between clearing the flag and reading the port. It is up to the user code to handle this case if it is a possibility in their application. To keep this interval to a minimum, it is recommended that any code modifying the IOCFx registers be run either in the interrupt handler or with interrupts disabled.

11.4.1 PULL-UPS AND PULL-DOWNS

Each IOC pin has both a weak pull-up and a weak pull-down connected to it. The pull-ups act as a current source connected to the pin, while the pull-downs act as a current sink connected to the pin. These eliminate the need for external resistors when push button or keypad devices are connected.

The pull-ups and pull-downs are separately enabled using the IOCPuX registers (for pull-ups) and the IOCPdX registers (for pull-downs). Each IOC pin has individual control bits for its pull-up and pull-down. Setting a control bit enables the weak pull-up or pull-down for the corresponding pin.

Note: Pull-ups and pull-downs on pins should always be disabled whenever the pin is configured as a digital output.

EXAMPLE 11-1: IOC STATUS READ/CLEAR IN ASSEMBLY

```
MOV    0xFFFF, W0    ; Initial mask value 0xFFFF -] W0
XOR    IOCFx, W0     ; W0 has '1' for each bit set in IOCFx
AND    IOCFx         ; IOCFx & W0 -]IOCFx
```

EXAMPLE 11-2: PORT READ/WRITE IN ASSEMBLY

```
MOV    0xFF00, W0    ; Configure PORTB[15:8] as inputs
MOV    W0, TRISB     ; and PORTB[7:0] as outputs
NOP                                         ; Delay 1 cycle
BTSS   PORTB, #13    ; Next Instruction
```

EXAMPLE 11-3: PORT READ/WRITE IN 'C'

```
TRISB = 0xFF00;           // Configure PORTB[15:8] as inputs and PORTB[7:0] as outputs
Nop();                   // Delay 1 cycle
If (PORTBbits.RB13){ };  // Next Instruction
```

PIC24FJ256GA412/GB412 FAMILY

REGISTER 11-1: PADCON: PORT CONFIGURATION REGISTER

R/W-0	U-0	U-0	U-0	U-0	U-0	U-0	U-0
IOCON	—	—	—	—	—	—	—
bit 15							bit 8

U-0	U-0	U-0	U-0	U-0	U-0	U-0	R/W-0
—	—	—	—	—	—	—	PMTTL
bit 7							bit 0

Legend:

R = Readable bit	W = Writable bit	U = Unimplemented bit, read as '0'
-n = Value at POR	'1' = Bit is set	'0' = Bit is cleared x = Bit is unknown

- bit 15 **IOCON:** Interrupt-on-Change Enable bit
 1 = Interrupt-on-change functionality is enabled
 0 = Interrupt-on-change functionality is disabled
- bit 14-1 **Unimplemented:** Read as '0'
- bit 0 **PMTTL:** EPMP Module TTL Input Buffer Select bit (unused by the GPIO module)
 Not used by IOC; see [Register 21-9](#) for definition.

PIC24FJ256GA412/GB412 FAMILY

REGISTER 11-2: IOCSTAT: INTERRUPT-ON-CHANGE STATUS REGISTER

U-0	U-0	U-0	U-0	U-0	U-0	U-0	HSC/R-0
—	—	—	—	—	—	—	IOCPJF ⁽¹⁾
bit 15							bit 8

HSC/R-0	HSC/R-0	HSC/R-0	HSC/R-0	HSC/R-0	HSC/R-0	HSC/R-0	HSC/R-0
IOCPHF ⁽¹⁾	IOCPGF	IOCPFF	IOCPEF	IOCPDF	IOPCF	IOCPBF	IOCPAF ⁽²⁾
bit 7							bit 0

Legend:	HSC = Hardware Settable/Clearable bit		
R = Readable bit	W = Writable bit	U = Unimplemented bit, read as '0'	
-n = Value at POR	'1' = Bit is set	'0' = Bit is cleared	x = Bit is unknown

- bit 15-9 **Unimplemented:** Read as '0'
- bit 8 **IOCPJF:** Interrupt-on-Change PORTJ Flag bit⁽¹⁾
 1 = A change was detected on an IOC-enabled pin on PORTJ
 0 = No change was detected or the user has cleared all detected changes
- bit 7 **IOCPHF:** Interrupt-on-Change PORTH Flag bit⁽¹⁾
 1 = A change was detected on an IOC-enabled pin on PORTH
 0 = No change was detected or the user has cleared all detected changes
- bit 6 **IOCPGF:** Interrupt-on-Change PORTG Flag bit
 1 = A change was detected on an IOC-enabled pin on PORTG
 0 = No change was detected or the user has cleared all detected changes
- bit 5 **IOCPFF:** Interrupt-on-Change PORTF Flag bit
 1 = A change was detected on an IOC-enabled pin on PORTF
 0 = No change was detected or the user has cleared all detected changes
- bit 4 **IOCPEF:** Interrupt-on-Change PORTE Flag bit
 1 = A change was detected on an IOC-enabled pin on PORTE
 0 = No change was detected or the user has cleared all detected changes
- bit 3 **IOCPDF:** Interrupt-on-Change PORTD Flag bit
 1 = A change was detected on an IOC-enabled pin on PORTD
 0 = No change was detected or the user has cleared all detected changes
- bit 2 **IOPCF:** Interrupt-on-Change PORTC Flag bit
 1 = A change was detected on an IOC-enabled pin on PORTC
 0 = No change was detected or the user has cleared all detected changes
- bit 1 **IOCPBF:** Interrupt-on-Change PORTB Flag bit
 1 = A change was detected on an IOC-enabled pin on PORTB
 0 = No change was detected or the user has cleared all detected changes
- bit 0 **IOCPAF:** Interrupt-on-Change PORTA Flag bit⁽²⁾
 1 = A change was detected on an IOC-enabled pin on PORTA
 0 = No change was detected, or the user has cleared all detected change

Note 1: These ports are not available on 64-pin or 100-pin devices.
Note 2: This port is not available on 64-pin devices.

PIC24FJ256GA412/GB412 FAMILY

11.5 Peripheral Pin Select (PPS)

A major challenge in general purpose devices is providing the largest possible set of peripheral features while minimizing the conflict of features on I/O pins. In an application that needs to use more than one peripheral multiplexed on a single pin, inconvenient work arounds in application code, or a complete redesign, may be the only option.

The Peripheral Pin Select (PPS) feature provides an alternative to these choices by enabling the user's peripheral set selection and its placement on a wide range of I/O pins. By increasing the pinout options available on a particular device, users can better tailor the microcontroller to their entire application, rather than trimming the application to fit the device.

The Peripheral Pin Select feature operates over a fixed subset of digital I/O pins. Users may independently map the input and/or output of any one of many digital peripherals to any one of these I/O pins. PPS is performed in software and generally does not require the device to be reprogrammed. Hardware safeguards are included that prevent accidental or spurious changes to the peripheral mapping once it has been established.

11.5.1 AVAILABLE PINS

The PPS feature is used with a range of up to 44 pins, depending on the particular device and its pin count. Pins that support the Peripheral Pin Select feature include the designation, "RPn" or "RPI n", in their full pin designation, where "n" is the remappable pin number. "RP" is used to designate pins that support both remappable input and output functions, while "RPI" indicates pins that support remappable input functions only.

PIC24FJ256GA412/GB412 family devices support a larger number of remappable input only pins than remappable input/output pins. In this device family, there are up to 32 remappable input/output pins, depending on the pin count of the particular device selected. These pins are numbered: RP0 through RP31. See [Table 1-4](#) and [Table 1-5](#) for a summary of pinout options in each package offering.

11.5.2 AVAILABLE PERIPHERALS

The peripherals managed by the PPS are all digital only peripherals. These include general serial communications (UART and SPI), general purpose timer clock inputs, timer related peripherals (input capture and output compare) and external interrupt inputs. Also included are the outputs of the comparator module, since these are discrete digital signals.

PPS is not available for analog peripherals or these digital peripherals:

- I²C (input and output)
- RTCC Alarm and Power Gate Outputs
- EPMP Signals (input and output)
- INT0

A key difference between pin select and non-pin select peripherals is that pin select peripherals are not associated with a default I/O pin. The peripheral must always be assigned to a specific I/O pin before it can be used. In contrast, non-pin select peripherals are always available on a default pin, assuming that the peripheral is active and not conflicting with another peripheral.

11.5.2.1 Peripheral Pin Select Function Priority

Pin-selectable peripheral outputs (e.g., output compare, UART transmit) will take priority over general purpose digital functions on a pin, such as EPMP and port I/O. Specialized digital outputs will take priority over PPS outputs on the same pin. The pin diagrams list peripheral outputs in the order of priority. Refer to them for priority concerns on a particular pin.

Unlike PIC24F devices with fixed peripherals, pin-selectable peripheral inputs will never take ownership of a pin. The pin's output buffer will be controlled by the TRISx setting or by a fixed peripheral on the pin. If the pin is configured in Digital mode, then the PPS input will operate correctly. If an analog function is enabled on the pin, the PPS input will be disabled.

11.5.3 CONTROLLING PERIPHERAL PIN SELECT

PPS features are controlled through two sets of Special Function Registers (SFRs): one to map peripheral inputs and one to map outputs. Because they are separately controlled, a particular peripheral's input and output (if the peripheral has both) can be placed on any selectable function pin without constraint.

The association of a peripheral to a peripheral-selectable pin is handled in two different ways, depending on if an input or an output is being mapped.

11.5.3.1 Input Mapping

The inputs of the Peripheral Pin Select options are mapped on the basis of the peripheral; that is, a control register associated with a peripheral dictates the pin it will be mapped to. The RPINRx registers ([Register 11-3](#) through [Register 11-22](#)) are used to configure peripheral input mapping. Each register contains two sets of 6-bit fields, with each set associated with one of the pin-selectable peripherals. Programming a given peripheral's bit field with an appropriate 6-bit value maps the RPn/RPI n pin with that value to that peripheral.

[Table 11-11](#) summarizes the remappable inputs available with Peripheral Pin Select. For any given device, the valid range of values for any of the bit fields corresponds to the maximum number of Peripheral Pin Selections supported by the device.

Note: Unless otherwise noted, all remappable inputs utilize Schmitt Trigger buffers.

PIC24FJ256GA412/GB412 FAMILY

TABLE 11-11: SELECTABLE INPUT SOURCES (MAPS INPUT TO FUNCTION)

Input Name	Function Name	Register	Function Mapping Bits
CCP Clock Input A	TCKIA	RPINR12[5:0]	TCKIAR[5:0]
CCP Clock Input B	TCKIB	RPINR12[13:8]	TCKIBR[5:0]
CLC Input A	CLCINA	RPINR25[5:0]	CLCINAR[5:0]
CLC Input B	CLCINB	RPINR25[13:8]	CLCINBR[5:0]
External Interrupt 1	INT1	RPINR0[13:8]	INT1R[5:0]
External Interrupt 2	INT2	RPINR1[5:0]	INT2R[5:0]
External Interrupt 3	INT3	RPINR1[13:8]	INT3R[5:0]
External Interrupt 4	INT4	RPINR2[5:0]	INT4R[5:0]
Generic Timer External input	TMRCK	RPINR23[13:8]	TXCKR[5:0]
Input Capture 1	IC1	RPINR7[5:0]	IC1R[5:0]
Input Capture 2	IC2	RPINR7[13:8]	IC2R[5:0]
Input Capture 3	IC3	RPINR8[5:0]	IC3R[5:0]
Output Compare Fault A	OCFA	RPINR11[5:0]	OCFAR[5:0]
Output Compare Fault B	OCFB	RPINR11[13:8]	OCFBR[5:0]
Output Compare Trigger 1	OCTRIG1	RPINR0[5:0]	OCTRIG1R[5:0]
Output Compare Trigger 1	OCTRIG2	RPINR2[13:8]	OCTRIG2R[5:0]
SPI1 Clock Input	SCK1IN	RPINR20[13:8]	SCK1R[5:0]
SPI1 Data Input	SDI1	RPINR20[5:0]	SDI1R[5:0]
SPI1 Slave Select	SS1IN	RPINR21[5:0]	SS1R[5:0]
SPI2 Clock Input	SCK2IN	RPINR22[13:8]	SCK2R[5:0]
SPI2 Data Input	SDI2	RPINR22[5:0]	SDI2R[5:0]
SPI2 Slave Select	SS2IN	RPINR23[5:0]	SS2R[5:0]
SPI3 Clock Input	SCK3IN	RPINR28[13:8]	SCK3R[5:0]
SPI3 Data Input	SDI3	RPINR28[5:0]	SDI3R[5:0]
SPI3 Slave Select	SS3IN	RPINR29[5:0]	SS3R[5:0]
Timer2 External Clock	T2CK	RPINR3[5:0]	T2CKR[5:0]
Timer3 External Clock	T3CK	RPINR3[13:8]	T3CKR[5:0]
Timer4 External Clock	T4CK	RPINR4[5:0]	T4CKR[5:0]
Timer5 External Clock	T5CK	RPINR4[13:8]	T5CKR[5:0]
UART1 Clear-to-Send	$\overline{U1CTS}$	RPINR18[13:8]	U1CTSR[5:0]
UART1 Receive	U1RX	RPINR18[5:0]	U1RXR[5:0]
UART2 Clear-to-Send	$\overline{U2CTS}$	RPINR19[13:8]	U2CTSR[5:0]
UART2 Receive	U2RX	RPINR19[5:0]	U2RXR[5:0]
UART3 Clear-to-Send	$\overline{U3CTS}$	RPINR21[13:8]	U3CTSR[5:0]
UART3 Receive	U3RX	RPINR17[13:8]	U3RXR[5:0]
UART4 Clear-to-Send	$\overline{U4CTS}$	RPINR27[13:8]	U4CTSR[5:0]
UART4 Receive	U4RX	RPINR27[5:0]	U4RXR[5:0]

PIC24FJ256GA412/GB412 FAMILY

11.5.3.2 Output Mapping

In contrast to inputs, the outputs of the Peripheral Pin Select options are mapped on the basis of the pin. In this case, a control register associated with a particular pin dictates the peripheral output to be mapped. The RPORx registers are used to control output mapping. Each register contains two 6-bit fields, with each field being associated with one RPn pin (see [Register 11-23](#) through

[Register 11-38](#)). The value of the bit field corresponds to one of the peripherals and that peripheral's output is mapped to the pin (see [Table 11-12](#)).

Because of the mapping technique, the list of peripherals for output mapping also includes a null value of '000000'. This permits any given pin to remain disconnected from the output of any of the pin-selectable peripherals.

TABLE 11-12: SELECTABLE OUTPUT SOURCES (MAPS FUNCTION TO OUTPUT)

Output Function Number ⁽¹⁾	Function	Output Name
0	NULL ⁽²⁾	Null
1	C1OUT	Comparator 1 Output
2	C2OUT	Comparator 2 Output
3	U1TX	UART1 Transmit
4	$\overline{U1RTS}$ ⁽³⁾	UART1 Request-to-Send
5	U2TX	UART2 Transmit
6	$\overline{U2RTS}$ ⁽³⁾	UART2 Request-to-Send
7	SDO1	SPI1 Data Output
8	SCK1OUT	SPI1 Clock Output
9	SS1OUT	SPI1 Slave Select Output
10	SDO2	SPI2 Data Output
11	SCK2OUT	SPI2 Clock Output
12	SS2OUT	SPI2 Slave Select Output
13	OC1	Output Compare 1
14	OC2	Output Compare 2
15	OC3	Output Compare 3
16	OCM4	SCCP Output Compare 4
17	OCM5	SCCP Output Compare 5
18	OCM6	SCCP Output Compare 6
19	U3TX	UART3 Transmit
20	$\overline{U3RTS}$	UART3 Request-to-Send
21	U4TX	UART4 Transmit
22	$\overline{U4RTS}$ ⁽³⁾	UART4 Request-to-Send
23	SDO3	SPI3 Data Output
24	SCK3OUT	SPI3 Clock Output
25	SS3OUT	SPI3 Slave Select Output
26	C3OUT	Comparator 3 Output
27	OCM7	SCCP Output Compare 7
28	REFO ⁽⁴⁾	Reference Clock Output
29	CLC1OUT	CLC1 Output
30	CLC2OUT	CLC2 Output

- Note 1:** Setting the RPORx register with the listed value assigns that output function to the associated RPn pin.
Note 2: The NULL function is assigned to all RPn outputs at device Reset and disables the RPn output function.
Note 3: IrDA[®] BCLK functionality uses this output.
Note 4: Map to RP29 (RB15) to maintain the high output driver found in previous PIC24F devices.

PIC24FJ256GA412/GB412 FAMILY

11.5.3.3 Mapping Limitations

The control schema of the Peripheral Pin Select is extremely flexible. Other than systematic blocks that prevent signal contention caused by two physical pins being configured as the same functional input or two functional outputs configured as the same pin, there are no hardware enforced lockouts. The flexibility extends to the point of allowing a single input to drive multiple peripherals or a single functional output to drive multiple output pins.

11.5.3.4 Mapping Exceptions for PIC24FJ256GA412/GB412 Family Devices

Although the PPS registers theoretically allow for up to 44 remappable I/O pins, not all of these are implemented in all devices. For PIC24FJ256GA412/GB412 family devices, the maximum number of remappable pins available is 44, which includes 12 input only pins. The differences in available remappable pins are summarized in [Table 11-13](#).

When developing applications that use remappable pins, users should also keep these things in mind:

- For the RPINRx registers, bit combinations corresponding to an unimplemented pin for a particular device are treated as invalid; the corresponding module will not have an input mapped to it.
- For RPORx registers, the bit fields corresponding to an unimplemented pin will also be unimplemented; writing to these fields will have no effect.

11.5.4 CONTROLLING CONFIGURATION CHANGES

Because peripheral remapping can be changed during run time, some restrictions on peripheral remapping are needed to prevent accidental configuration changes. PIC24F devices include three features to prevent alterations to the peripheral map:

- Control register lock sequence
- Continuous state monitoring
- Configuration bit remapping lock

11.5.4.1 Control Register Lock

Under normal operation, writes to the RPINRx and RPORx registers are not allowed. Attempted writes will appear to execute normally, but the contents of the registers will remain unchanged. To change these registers, they must be unlocked in hardware. The register lock is controlled by the IOLOCK bit (OSCCON[6]). Setting IOLOCK prevents writes to the control registers; clearing IOLOCK allows writes.

To set or clear IOLOCK, a specific command sequence must be executed:

1. Write 46h to OSCCON[7:0].
2. Write 57h to OSCCON[7:0].
3. Clear (or set) IOLOCK as a single operation.

Unlike the similar sequence with the oscillator's LOCK bit, IOLOCK remains in one state until changed. This allows all of the Peripheral Pin Selects to be configured with a single unlock sequence, followed by an update to all control registers, then locked with a second lock sequence.

11.5.4.2 Continuous State Monitoring

In addition to being protected from direct writes, the contents of the RPINRx and RPORx registers are constantly monitored in hardware by shadow registers. If an unexpected change in any of the registers occurs (such as cell disturbances caused by ESD or other external events), a Configuration Mismatch Reset will be triggered.

11.5.4.3 Configuration Bit Pin Select Lock

As an additional level of safety, the device can be configured to prevent more than one write session to the RPINRx and RPORx registers. The IOL1WAY (FOSC[5]) Configuration bit blocks the IOLOCK bit from being cleared after it has been set once. If IOLOCK remains set, the register unlock procedure will not execute and the Peripheral Pin Select Control registers cannot be written to. The only way to clear the bit and re-enable peripheral remapping is to perform a device Reset.

In the default (unprogrammed) state, IOL1WAY is set, restricting users to one write session. Programming IOL1WAY allows users unlimited access (with the proper use of the unlock sequence) to the Peripheral Pin Select registers.

TABLE 11-13: REMAPPABLE PIN EXCEPTIONS FOR PIC24FJ256GA412/GB412 FAMILY DEVICES

Device	RP Pins (I/O)		RPI Pins	
	Total	Unimplemented	Total	Unimplemented
PIC24FJXXXGA406	29	RP5, RP15, RP31	1	RPI32-36, RPI38-43
PIC24FJXXXGB406	28	RP5, RP15, RP30, RP31	1	RPI32-36, RPI38-43

PIC24FJ256GA412/GB412 FAMILY

11.5.5 CONSIDERATIONS FOR PERIPHERAL PIN SELECTION

The ability to control Peripheral Pin Selection introduces several considerations into application design that could be overlooked. This is particularly true for several common peripherals that are available only as remappable peripherals.

The main consideration is that the Peripheral Pin Selects are not available on default pins in the device's default (Reset) state. Since all RPINRx registers reset to '1111111' and all RPORx registers reset to '0000000', all Peripheral Pin Select inputs are tied to V_{SS}, and all Peripheral Pin Select outputs are disconnected.

This situation requires the user to initialize the device with the proper peripheral configuration before any other application code is executed. Since the IOLOCK bit resets in the unlocked state, it is not necessary to execute the unlock sequence after the device has come out of Reset. For application safety, however, it is best to set IOLOCK and lock the configuration after writing to the control registers.

Because the unlock sequence is timing-critical, it must be executed as an assembly language routine in the same manner as changes to the oscillator configuration. If the bulk of the application is written in 'C', or another high-level language, the unlock sequence should be performed by writing in-line assembly.

Choosing the configuration requires the review of all Peripheral Pin Selects and their pin assignments, especially those that will not be used in the application. In all cases, unused pin-selectable peripherals should be disabled completely. Unused peripherals should have their inputs assigned to an unused RPn/RPIn pin function. I/O pins with unused RPn functions should be configured with the null peripheral output.

The assignment of a peripheral to a particular pin does not automatically perform any other configuration of the pin's I/O circuitry. In theory, this means adding a pin-selectable output to a pin may mean inadvertently driving an existing peripheral input when the output is driven. Users must be familiar with the behavior of other fixed peripherals that share a remappable pin and know when to enable or disable them. To be safe, fixed digital peripherals that share the same pin should be disabled when not in use.

Along these lines, configuring a remappable pin for a specific peripheral does not automatically turn that feature on. The peripheral must be specifically configured for operation and enabled as if it were tied to a fixed pin. Where this happens in the application code (immediately following a device Reset and peripheral configuration or inside the main application routine) depends on the peripheral and its use in the application.

A final consideration is that Peripheral Pin Select functions neither override analog inputs nor reconfigure pins with analog functions for digital I/O. If a pin is configured as an analog input on device Reset, it must be explicitly reconfigured as a digital I/O when used with a Peripheral Pin Select.

Example 11-4 shows a configuration for bidirectional communication with flow control using UART1. The following input and output functions are used:

- Input Functions: U1RX, U1CTS
- Output Functions: U1TX, U1RTS

EXAMPLE 11-4: CONFIGURING UART1 INPUT AND OUTPUT FUNCTIONS

```
// Unlock Registers
__builtin_write_OSCCONL(OSCCON & 0xbf);

// Configure Input Functions (Table 11-11)
// Assign U1RX To Pin RP0
RPINR18bits.U1RXR = 0;

// Assign U1CTS To Pin RP1
RPINR18bits.U1CTSR = 1;

// Configure Output Functions (Table 11-12)
// Assign U1TX To Pin RP2
RPOR1bits.RP2R = 3;

// Assign U1RTS To Pin RP3
RPOR1bits.RP3R = 4;

// Lock Registers
asm volatile ("MOV #OSCCON, w1 \n"
             "MOV #0x46, w2 \n"
             "MOV #0x57, w3 \n"
             "MOV.b w2, [w1] \n"
             "MOV.b w3, [w1] \n"
             "BSET OSCCON, #6");

// or use the XC16 built-in macro:
// __builtin_write_OSCCONL(OSCCON | 0x40);
```

PIC24FJ256GA412/GB412 FAMILY

11.5.6 PERIPHERAL PIN SELECT REGISTERS

The PIC24FJ256GA412/GB412 family of devices implements a total of 36 registers for remappable peripheral configuration:

- Input Remappable Peripheral Registers (20)
- Output Remappable Peripheral Registers (16)

Note: Input and output register values can only be changed if IOLOCK (OSCCON[6]) = 0. See [Section 11.5.4.1 “Control Register Lock”](#) for a specific command sequence.

REGISTER 11-3: RPINR0: PERIPHERAL PIN SELECT INPUT REGISTER 0

U-0	U-0	R/W-1	R/W-1	R/W-1	R/W-1	R/W-1	R/W-1
—	—	INT1R5	INT1R4	INT1R3	INT1R2	INT1R1	INT1R0
bit 15							bit 8

U-0	U-0	R/W-1	R/W-1	R/W-1	R/W-1	R/W-1	R/W-1
—	—	OCTRIG1R5	OCTRIG1R4	OCTRIG1R3	OCTRIG1R2	OCTRIG1R1	OCTRIG1R0
bit 7							bit 0

Legend:

R = Readable bit W = Writable bit U = Unimplemented bit, read as '0'
 -n = Value at POR '1' = Bit is set '0' = Bit is cleared x = Bit is unknown

- bit 15-14 **Unimplemented:** Read as '0'
- bit 13-8 **INT1R[5:0]:** Assign External Interrupt 1 (INT1) to Corresponding RPn or RPin Pin bits
- bit 7-6 **Unimplemented:** Read as '0'
- bit 5-0 **OCTRIG1R[5:0]:** Assign Output Compare Trigger 1 (OCTRIG1) to Corresponding RPn or RPin Pin bits

REGISTER 11-4: RPINR1: PERIPHERAL PIN SELECT INPUT REGISTER 1

U-0	U-0	R/W-1	R/W-1	R/W-1	R/W-1	R/W-1	R/W-1
—	—	INT3R5	INT3R4	INT3R3	INT3R2	INT3R1	INT3R0
bit 15							bit 8

U-0	U-0	R/W-1	R/W-1	R/W-1	R/W-1	R/W-1	R/W-1
—	—	INT2R5	INT2R4	INT2R3	INT2R2	INT2R1	INT2R0
bit 7							bit 0

Legend:

R = Readable bit W = Writable bit U = Unimplemented bit, read as '0'
 -n = Value at POR '1' = Bit is set '0' = Bit is cleared x = Bit is unknown

- bit 15-14 **Unimplemented:** Read as '0'
- bit 13-8 **INT3R[5:0]:** Assign External Interrupt 3 (INT3) to Corresponding RPn or RPin Pin bits
- bit 7-6 **Unimplemented:** Read as '0'
- bit 5-0 **INT2R[5:0]:** Assign External Interrupt 2 (INT2) to Corresponding RPn or RPin Pin bits

PIC24FJ256GA412/GB412 FAMILY

REGISTER 11-5: RPINR2: PERIPHERAL PIN SELECT INPUT REGISTER 2

U-0	U-0	R/W-1	R/W-1	R/W-1	R/W-1	R/W-1	R/W-1
—	—	OCTRIG2R5	OCTRIG2R4	OCTRIG2R3	OCTRIG2R2	OCTRIG2R1	OCTRIG2R0
bit 15							bit 8

U-0	U-0	R/W-1	R/W-1	R/W-1	R/W-1	R/W-1	R/W-1
—	—	INT4R5	INT4R4	INT4R3	INT4R2	INT4R1	INT4R0
bit 7							bit 0

Legend:

R = Readable bit W = Writable bit U = Unimplemented bit, read as '0'
 -n = Value at POR '1' = Bit is set '0' = Bit is cleared x = Bit is unknown

- bit 15-14 **Unimplemented:** Read as '0'
- bit 13-8 **OCTRIG2R[5:0]:** Assign Output Compare Trigger 2 (OCTRIG2) to Corresponding RPn or RPIn Pin bits
- bit 7-6 **Unimplemented:** Read as '0'
- bit 5-0 **INT4R[5:0]:** Assign External Interrupt 4 (INT4) to Corresponding RPn or RPIn Pin bits

REGISTER 11-6: RPINR3: PERIPHERAL PIN SELECT INPUT REGISTER 3

U-0	U-0	R/W-1	R/W-1	R/W-1	R/W-1	R/W-1	R/W-1
—	—	T3CKR5	T3CKR4	T3CKR3	T3CKR2	T3CKR1	T3CKR0
bit 15							bit 8

U-0	U-0	R/W-1	R/W-1	R/W-1	R/W-1	R/W-1	R/W-1
—	—	T2CKR5	T2CKR4	T2CKR3	T2CKR2	T2CKR1	T2CKR0
bit 7							bit 0

Legend:

R = Readable bit W = Writable bit U = Unimplemented bit, read as '0'
 -n = Value at POR '1' = Bit is set '0' = Bit is cleared x = Bit is unknown

- bit 15-14 **Unimplemented:** Read as '0'
- bit 13-8 **T3CKR[5:0]:** Assign Timer3 Clock Input (T3CK) to Corresponding RPn or RPIn Pin bits
- bit 7-6 **Unimplemented:** Read as '0'
- bit 5-0 **T2CKR[5:0]:** Assign Timer2 Clock Input (T2CK) to Corresponding RPn or RPIn Pin bits

PIC24FJ256GA412/GB412 FAMILY

REGISTER 11-7: RPINR4: PERIPHERAL PIN SELECT INPUT REGISTER 4

U-0	U-0	R/W-1	R/W-1	R/W-1	R/W-1	R/W-1	R/W-1
—	—	T5CKR5	T5CKR4	T5CKR3	T5CKR2	T5CKR1	T5CKR0
bit 15							bit 8

U-0	U-0	R/W-1	R/W-1	R/W-1	R/W-1	R/W-1	R/W-1
—	—	T4CKR5	T4CKR4	T4CKR3	T4CKR2	T4CKR1	T4CKR0
bit 7							bit 0

Legend:

R = Readable bit W = Writable bit U = Unimplemented bit, read as '0'
 -n = Value at POR '1' = Bit is set '0' = Bit is cleared x = Bit is unknown

- bit 15-14 **Unimplemented:** Read as '0'
- bit 13-8 **T5CKR[5:0]:** Assign Timer5 Clock Input (T5CK) to Corresponding RPn or RPIn Pin bits
- bit 7-6 **Unimplemented:** Read as '0'
- bit 5-0 **T4CKR[5:0]:** Assign Timer4 Clock Input (T4CK) to Corresponding RPn or RPIn Pin bits

REGISTER 11-8: RPINR7: PERIPHERAL PIN SELECT INPUT REGISTER 7

U-0	U-0	R/W-1	R/W-1	R/W-1	R/W-1	R/W-1	R/W-1
—	—	IC2R5	IC2R4	IC2R3	IC2R2	IC2R1	IC2R0
bit 15							bit 8

U-0	U-0	R/W-1	R/W-1	R/W-1	R/W-1	R/W-1	R/W-1
—	—	IC1R5	IC1R4	IC1R3	IC1R2	IC1R1	IC1R0
bit 7							bit 0

Legend:

R = Readable bit W = Writable bit U = Unimplemented bit, read as '0'
 -n = Value at POR '1' = Bit is set '0' = Bit is cleared x = Bit is unknown

- bit 15-14 **Unimplemented:** Read as '0'
- bit 13-8 **IC2R[5:0]:** Assign Input Capture 2 (IC2) to Corresponding RPn or RPIn Pin bits
- bit 7-6 **Unimplemented:** Read as '0'
- bit 5-0 **IC1R[5:0]:** Assign Input Capture 1 (IC1) to Corresponding RPn or RPIn Pin bits

PIC24FJ256GA412/GB412 FAMILY

REGISTER 11-9: RPINR8: PERIPHERAL PIN SELECT INPUT REGISTER 8

U-0	U-0	U-0	U-0	U-0	U-0	U-0	U-0
—	—	—	—	—	—	—	—
bit 15							bit 8

U-0	U-0	R/W-1	R/W-1	R/W-1	R/W-1	R/W-1	R/W-1
—	—	IC3R5	IC3R4	IC3R3	IC3R2	IC3R1	IC3R0
bit 7							bit 0

Legend:

R = Readable bit W = Writable bit U = Unimplemented bit, read as '0'
 -n = Value at POR '1' = Bit is set '0' = Bit is cleared x = Bit is unknown

bit 15-6 **Unimplemented:** Read as '0'
 bit 5-0 **IC3R[5:0]:** Assign Input Capture 3 (IC3) to Corresponding RPN or RPN Pin bits

REGISTER 11-10: RPINR11: PERIPHERAL PIN SELECT INPUT REGISTER 11

U-0	U-0	R/W-1	R/W-1	R/W-1	R/W-1	R/W-1	R/W-1
—	—	OCFBR5	OCFBR4	OCFBR3	OCFBR2	OCFBR1	OCFBR0
bit 15							bit 8

U-0	U-0	R/W-1	R/W-1	R/W-1	R/W-1	R/W-1	R/W-1
—	—	OCFAR5	OCFAR4	OCFAR3	OCFAR2	OCFAR1	OCFAR0
bit 7							bit 0

Legend:

R = Readable bit W = Writable bit U = Unimplemented bit, read as '0'
 -n = Value at POR '1' = Bit is set '0' = Bit is cleared x = Bit is unknown

bit 15-14 **Unimplemented:** Read as '0'
 bit 13-8 **OCFBR[5:0]:** Assign Output Compare Fault B (OCFB) to Corresponding RPN or RPN Pin bits
 bit 7-6 **Unimplemented:** Read as '0'
 bit 5-0 **OCFAR[5:0]:** Assign Output Compare Fault A (OCFA) to Corresponding RPN or RPN Pin bits

PIC24FJ256GA412/GB412 FAMILY

REGISTER 11-11: RPINR12: PERIPHERAL PIN SELECT INPUT REGISTER 12

U-0	U-0	R/W-1	R/W-1	R/W-1	R/W-1	R/W-1	R/W-1
—	—	TCKIBR5	TCKIBR4	TCKIBR3	TCKIBR2	TCKIBR1	TCKIBR0
bit 15							bit 8

U-0	U-0	R/W-1	R/W-1	R/W-1	R/W-1	R/W-1	R/W-1
—	—	TCKIAR5	TCKIAR4	TCKIAR3	TCKIAR2	TCKIAR1	TCKIAR0
bit 7							bit 0

Legend:

R = Readable bit W = Writable bit U = Unimplemented bit, read as '0'
 -n = Value at POR '1' = Bit is set '0' = Bit is cleared x = Bit is unknown

- bit 15-14 **Unimplemented:** Read as '0'
- bit 13-8 **TCKIBR[5:0]:** Assign CCP External Clock Input B (TCKIB) to Corresponding RPn or RPIn Pin bits
- bit 7-6 **Unimplemented:** Read as '0'
- bit 5-0 **TCKIAR[5:0]:** Assign CCP External Clock Input A (TCKIA) to Corresponding RPn or RPIn Pin bits

REGISTER 11-12: RPINR17: PERIPHERAL PIN SELECT INPUT REGISTER 17

U-0	U-0	R/W-1	R/W-1	R/W-1	R/W-1	R/W-1	R/W-1
—	—	U3RXR5	U3RXR4	U3RXR3	U3RXR2	U3RXR1	U3RXR0
bit 15							bit 8

U-0	U-0	U-0	U-0	U-0	U-0	U-0	U-0
—	—	—	—	—	—	—	—
bit 7							bit 0

Legend:

R = Readable bit W = Writable bit U = Unimplemented bit, read as '0'
 -n = Value at POR '1' = Bit is set '0' = Bit is cleared x = Bit is unknown

- bit 15-14 **Unimplemented:** Read as '0'
- bit 13-8 **U3RXR[5:0]:** Assign UART3 Receive (U3RX) to Corresponding RPn or RPIn Pin bits
- bit 7-0 **Unimplemented:** Read as '0'

PIC24FJ256GA412/GB412 FAMILY

REGISTER 11-13: RPINR18: PERIPHERAL PIN SELECT INPUT REGISTER 18

U-0	U-0	R/W-1	R/W-1	R/W-1	R/W-1	R/W-1	R/W-1
—	—	U1CTSR5	U1CTSR4	U1CTSR3	U1CTSR2	U1CTSR1	U1CTSR0
bit 15							bit 8

U-0	U-0	R/W-1	R/W-1	R/W-1	R/W-1	R/W-1	R/W-1
—	—	U1RXR5	U1RXR4	U1RXR3	U1RXR2	U1RXR1	U1RXR0
bit 7							bit 0

Legend:

R = Readable bit W = Writable bit U = Unimplemented bit, read as '0'
 -n = Value at POR '1' = Bit is set '0' = Bit is cleared x = Bit is unknown

- bit 15-14 **Unimplemented:** Read as '0'
- bit 13-8 **U1CTSR[5:0]:** Assign UART1 Clear-to-Send ($\overline{U1CTS}$) to Corresponding RPn or RPIn Pin bits
- bit 7-6 **Unimplemented:** Read as '0'
- bit 5-0 **U1RXR[5:0]:** Assign UART1 Receive (U1RX) to Corresponding RPn or RPIn Pin bits

REGISTER 11-14: RPINR19: PERIPHERAL PIN SELECT INPUT REGISTER 19

U-0	U-0	R/W-1	R/W-1	R/W-1	R/W-1	R/W-1	R/W-1
—	—	U2CTSR5	U2CTSR4	U2CTSR3	U2CTSR2	U2CTSR1	U2CTSR0
bit 15							bit 8

U-0	U-0	R/W-1	R/W-1	R/W-1	R/W-1	R/W-1	R/W-1
—	—	U2RXR5	U2RXR4	U2RXR3	U2RXR2	U2RXR1	U2RXR0
bit 7							bit 0

Legend:

R = Readable bit W = Writable bit U = Unimplemented bit, read as '0'
 -n = Value at POR '1' = Bit is set '0' = Bit is cleared x = Bit is unknown

- bit 15-14 **Unimplemented:** Read as '0'
- bit 13-8 **U2CTSR[5:0]:** Assign UART2 Clear-to-Send ($\overline{U2CTS}$) to Corresponding RPn or RPIn Pin bits
- bit 7-6 **Unimplemented:** Read as '0'
- bit 5-0 **U2RXR[5:0]:** Assign UART2 Receive (U2RX) to Corresponding RPn or RPIn Pin bits

PIC24FJ256GA412/GB412 FAMILY

REGISTER 11-15: RPINR20: PERIPHERAL PIN SELECT INPUT REGISTER 20

U-0	U-0	R/W-1	R/W-1	R/W-1	R/W-1	R/W-1	R/W-1
—	—	SCK1R5	SCK1R4	SCK1R3	SCK1R2	SCK1R1	SCK1R0
bit 15							bit 8

U-0	U-0	R/W-1	R/W-1	R/W-1	R/W-1	R/W-1	R/W-1
—	—	SDI1R5	SDI1R4	SDI1R3	SDI1R2	SDI1R1	SDI1R0
bit 7							bit 0

Legend:

R = Readable bit W = Writable bit U = Unimplemented bit, read as '0'
 -n = Value at POR '1' = Bit is set '0' = Bit is cleared x = Bit is unknown

- bit 15-14 **Unimplemented:** Read as '0'
- bit 13-8 **SCK1R[5:0]:** Assign SPI1 Clock Input (SCK1IN) to Corresponding RPn or RPIIn Pin bits
- bit 7-6 **Unimplemented:** Read as '0'
- bit 5-0 **SDI1R[5:0]:** Assign SPI1 Data Input (SDI1) to Corresponding RPn or RPIIn Pin bits

REGISTER 11-16: RPINR21: PERIPHERAL PIN SELECT INPUT REGISTER 21

U-0	U-0	R/W-1	R/W-1	R/W-1	R/W-1	R/W-1	R/W-1
—	—	U3CTSR5	U3CTSR4	U3CTSR3	U3CTSR2	U3CTSR1	U3CTSR0
bit 15							bit 8

U-0	U-0	R/W-1	R/W-1	R/W-1	R/W-1	R/W-1	R/W-1
—	—	SS1R5	SS1R4	SS1R3	SS1R2	SS1R1	SS1R0
bit 7							bit 0

Legend:

R = Readable bit W = Writable bit U = Unimplemented bit, read as '0'
 -n = Value at POR '1' = Bit is set '0' = Bit is cleared x = Bit is unknown

- bit 15-14 **Unimplemented:** Read as '0'
- bit 13-8 **U3CTSR[5:0]:** Assign UART3 Clear-to-Send ($\overline{U3CTS}$) to Corresponding RPn or RPIIn Pin bits
- bit 7-6 **Unimplemented:** Read as '0'
- bit 5-0 **SS1R[5:0]:** Assign SPI1 Slave Select Input (SS1IN) to Corresponding RPn or RPIIn Pin bits

PIC24FJ256GA412/GB412 FAMILY

REGISTER 11-17: RPINR22: PERIPHERAL PIN SELECT INPUT REGISTER 22

U-0	U-0	R/W-1	R/W-1	R/W-1	R/W-1	R/W-1	R/W-1
—	—	SCK2R5	SCK2R4	SCK2R3	SCK2R2	SCK2R1	SCK2R0
bit 15							bit 8

U-0	U-0	R/W-1	R/W-1	R/W-1	R/W-1	R/W-1	R/W-1
—	—	SDI2R5	SDI2R4	SDI2R3	SDI2R2	SDI2R1	SDI2R0
bit 7							bit 0

Legend:

R = Readable bit W = Writable bit U = Unimplemented bit, read as '0'
 -n = Value at POR '1' = Bit is set '0' = Bit is cleared x = Bit is unknown

- bit 15-14 **Unimplemented:** Read as '0'
- bit 13-8 **SCK2R[5:0]:** Assign SPI2 Clock Input (SCK2IN) to Corresponding RPn or RPIIn Pin bits
- bit 7-6 **Unimplemented:** Read as '0'
- bit 5-0 **SDI2R[5:0]:** Assign SPI2 Data Input (SDI2) to Corresponding RPn or RPIIn Pin bits

REGISTER 11-18: RPINR23: PERIPHERAL PIN SELECT INPUT REGISTER 23

U-0	U-0	R/W-1	R/W-1	R/W-1	R/W-1	R/W-1	R/W-1
—	—	TXCKR5	TXCKR4	TXCKR3	TXCKR2	TXCKR1	TXCKR0
bit 15							bit 8

U-0	U-0	R/W-1	R/W-1	R/W-1	R/W-1	R/W-1	R/W-1
—	—	SS2R5	SS2R4	SS2R3	SS2R2	SS2R1	SS2R0
bit 7							bit 0

Legend:

R = Readable bit W = Writable bit U = Unimplemented bit, read as '0'
 -n = Value at POR '1' = Bit is set '0' = Bit is cleared x = Bit is unknown

- bit 15-14 **Unimplemented:** Read as '0'
- bit 13-8 **TXCKR[5:0]:** Assign General Timer External Input (TMRCK) to Corresponding RPn or RPIIn Pin bits
- bit 7-6 **Unimplemented:** Read as '0'
- bit 5-0 **SS2R[5:0]:** Assign SPI2 Slave Select Input (SS2IN) to Corresponding RPn or RPIIn Pin bits

PIC24FJ256GA412/GB412 FAMILY

REGISTER 11-19: RPINR25: PERIPHERAL PIN SELECT INPUT REGISTER 25

U-0	U-0	R/W-1	R/W-1	R/W-1	R/W-1	R/W-1	R/W-1
—	—	CLCINBR5	CLCINBR4	CLCINBR3	CLCINBR2	CLCINBR1	CLCINBR0
bit 15							bit 8

U-0	U-0	R/W-1	R/W-1	R/W-1	R/W-1	R/W-1	R/W-1
—	—	CLCINAR5	CLCINAR4	CLCINAR3	CLCINAR2	CLCINAR1	CLCINAR0
bit 7							bit 0

Legend:

R = Readable bit W = Writable bit U = Unimplemented bit, read as '0'
 -n = Value at POR '1' = Bit is set '0' = Bit is cleared x = Bit is unknown

- bit 15-14 **Unimplemented:** Read as '0'
- bit 13-8 **CLCINBR[5:0]:** Assign CLC External Input B (CLCINB) to Corresponding RPN or RPN Pin bits
- bit 7-6 **Unimplemented:** Read as '0'
- bit 5-0 **CLCINAR[5:0]:** Assign CLC External Input A (CLCINA) to Corresponding RPN or RPN Pin bits

REGISTER 11-20: RPINR27: PERIPHERAL PIN SELECT INPUT REGISTER 27

U-0	U-0	R/W-1	R/W-1	R/W-1	R/W-1	R/W-1	R/W-1
—	—	U4CTSR5	U4CTSR4	U4CTSR3	U4CTSR2	U4CTSR1	U4CTSR0
bit 15							bit 8

U-0	U-0	R/W-1	R/W-1	R/W-1	R/W-1	R/W-1	R/W-1
—	—	U4RXR5	U4RXR4	U4RXR3	U4RXR2	U4RXR1	U4RXR0
bit 7							bit 0

Legend:

R = Readable bit W = Writable bit U = Unimplemented bit, read as '0'
 -n = Value at POR '1' = Bit is set '0' = Bit is cleared x = Bit is unknown

- bit 15-14 **Unimplemented:** Read as '0'
- bit 13-8 **U4CTSR[5:0]:** Assign UART4 Clear-to-Send Input ($\overline{U4CTS}$) to Corresponding RPN or RPN Pin bits
- bit 7-6 **Unimplemented:** Read as '0'
- bit 5-0 **U4RXR[5:0]:** Assign UART4 Receive Input (U4RX) to Corresponding RPN or RPN Pin bits

PIC24FJ256GA412/GB412 FAMILY

REGISTER 11-21: RPINR28: PERIPHERAL PIN SELECT INPUT REGISTER 28

U-0	U-0	R/W-1	R/W-1	R/W-1	R/W-1	R/W-1	R/W-1
—	—	SCK3R5	SCK3R4	SCK3R3	SCK3R2	SCK3R1	SCK3R0
bit 15							bit 8

U-0	U-0	R/W-1	R/W-1	R/W-1	R/W-1	R/W-1	R/W-1
—	—	SDI3R5	SDI3R4	SDI3R3	SDI3R2	SDI3R1	SDI3R0
bit 7							bit 0

Legend:

R = Readable bit W = Writable bit U = Unimplemented bit, read as '0'
 -n = Value at POR '1' = Bit is set '0' = Bit is cleared x = Bit is unknown

- bit 15-14 **Unimplemented:** Read as '0'
- bit 13-8 **SCK3R[5:0]:** Assign SPI3 Clock Input (SCK3IN) to Corresponding RPn or RPI n Pin bits
- bit 7-6 **Unimplemented:** Read as '0'
- bit 5-0 **SDI3R[5:0]:** Assign SPI3 Data Input (SDI3) to Corresponding RPn or RPI n Pin bits

REGISTER 11-22: RPINR29: PERIPHERAL PIN SELECT INPUT REGISTER 29

U-0	U-0	U-0	U-0	U-0	U-0	U-0	U-0
—	—	—	—	—	—	—	—
bit 15							bit 8

U-0	U-0	R/W-1	R/W-1	R/W-1	R/W-1	R/W-1	R/W-1
—	—	SS3R5	SS3R4	SS3R3	SS3R2	SS3R1	SS3R0
bit 7							bit 0

Legend:

R = Readable bit W = Writable bit U = Unimplemented bit, read as '0'
 -n = Value at POR '1' = Bit is set '0' = Bit is cleared x = Bit is unknown

- bit 15-6 **Unimplemented:** Read as '0'
- bit 5-0 **SS3R[5:0]:** Assign SPI3 Slave Select Input (SS3IN) to Corresponding RPn or RPI n Pin bits

PIC24FJ256GA412/GB412 FAMILY

REGISTER 11-23: RPOR0: PERIPHERAL PIN SELECT OUTPUT REGISTER 0

U-0	U-0	R/W-0	R/W-0	R/W-0	R/W-0	R/W-0	R/W-0
—	—	RP1R5	RP1R4	RP1R3	RP1R2	RP1R1	RP1R0
bit 15							bit 8

U-0	U-0	R/W-0	R/W-0	R/W-0	R/W-0	R/W-0	R/W-0
—	—	RP0R5	RP0R4	RP0R3	RP0R2	RP0R1	RP0R0
bit 7							bit 0

Legend:

R = Readable bit W = Writable bit U = Unimplemented bit, read as '0'
 -n = Value at POR '1' = Bit is set '0' = Bit is cleared x = Bit is unknown

- bit 15-14 **Unimplemented:** Read as '0'
- bit 13-8 **RP1R[5:0]:** RP1 Output Pin Mapping bits
Peripheral Output Number n is assigned to pin, RP1 (see [Table 11-12](#) for peripheral function numbers).
- bit 7-6 **Unimplemented:** Read as '0'
- bit 5-0 **RP0R[5:0]:** RP0 Output Pin Mapping bits
Peripheral Output Number n is assigned to pin, RP0 (see [Table 11-12](#) for peripheral function numbers).

REGISTER 11-24: RPOR1: PERIPHERAL PIN SELECT OUTPUT REGISTER 1

U-0	U-0	R/W-0	R/W-0	R/W-0	R/W-0	R/W-0	R/W-0
—	—	RP3R5	RP3R4	RP3R3	RP3R2	RP3R1	RP3R0
bit 15							bit 8

U-0	U-0	R/W-0	R/W-0	R/W-0	R/W-0	R/W-0	R/W-0
—	—	RP2R5	RP2R4	RP2R3	RP2R2	RP2R1	RP2R0
bit 7							bit 0

Legend:

R = Readable bit W = Writable bit U = Unimplemented bit, read as '0'
 -n = Value at POR '1' = Bit is set '0' = Bit is cleared x = Bit is unknown

- bit 15-14 **Unimplemented:** Read as '0'
- bit 13-8 **RP3R[5:0]:** RP3 Output Pin Mapping bits
Peripheral Output Number n is assigned to pin, RP3 (see [Table 11-12](#) for peripheral function numbers).
- bit 7-6 **Unimplemented:** Read as '0'
- bit 5-0 **RP2R[5:0]:** RP2 Output Pin Mapping bits
Peripheral Output Number n is assigned to pin, RP2 (see [Table 11-12](#) for peripheral function numbers).

PIC24FJ256GA412/GB412 FAMILY

REGISTER 11-25: RPOR2: PERIPHERAL PIN SELECT OUTPUT REGISTER 2

U-0	U-0	R/W-0	R/W-0	R/W-0	R/W-0	R/W-0	R/W-0
—	—	RP5R5 ⁽¹⁾	RP5R4 ⁽¹⁾	RP5R3 ⁽¹⁾	RP5R2 ⁽¹⁾	RP5R1 ⁽¹⁾	RP5R0 ⁽¹⁾
bit 15							bit 8

U-0	U-0	R/W-0	R/W-0	R/W-0	R/W-0	R/W-0	R/W-0
—	—	RP4R5	RP4R4	RP4R3	RP4R2	RP4R1	RP4R0
bit 7							bit 0

Legend:

R = Readable bit W = Writable bit U = Unimplemented bit, read as '0'
 -n = Value at POR '1' = Bit is set '0' = Bit is cleared x = Bit is unknown

- bit 15-14 **Unimplemented:** Read as '0'
- bit 13-8 **RP5R[5:0]:** RP5 Output Pin Mapping bits⁽¹⁾
 Peripheral Output Number n is assigned to pin, RP5 (see [Table 11-12](#) for peripheral function numbers).
- bit 7-6 **Unimplemented:** Read as '0'
- bit 5-0 **RP4R[5:0]:** RP4 Output Pin Mapping bits
 Peripheral Output Number n is assigned to pin, RP4 (see [Table 11-12](#) for peripheral function numbers).

Note 1: RP5 and its associated bits are not available on PIC24FJXXXGA/GB406 devices.

REGISTER 11-26: RPOR3: PERIPHERAL PIN SELECT OUTPUT REGISTER 3

U-0	U-0	R/W-0	R/W-0	R/W-0	R/W-0	R/W-0	R/W-0
—	—	RP7R5	RP7R4	RP7R3	RP7R2	RP7R1	RP7R0
bit 15							bit 8

U-0	U-0	R/W-0	R/W-0	R/W-0	R/W-0	R/W-0	R/W-0
—	—	RP6R5	RP6R4	RP6R3	RP6R2	RP6R1	RP6R0
bit 7							bit 0

Legend:

R = Readable bit W = Writable bit U = Unimplemented bit, read as '0'
 -n = Value at POR '1' = Bit is set '0' = Bit is cleared x = Bit is unknown

- bit 15-14 **Unimplemented:** Read as '0'
- bit 13-8 **RP7R[5:0]:** RP7 Output Pin Mapping bits
 Peripheral Output Number n is assigned to pin, RP7 (see [Table 11-12](#) for peripheral function numbers).
- bit 7-6 **Unimplemented:** Read as '0'
- bit 5-0 **RP6R[5:0]:** RP6 Output Pin Mapping bits
 Peripheral Output Number n is assigned to pin, RP6 (see [Table 11-12](#) for peripheral function numbers).

PIC24FJ256GA412/GB412 FAMILY

REGISTER 11-27: RPOR4: PERIPHERAL PIN SELECT OUTPUT REGISTER 4

U-0	U-0	R/W-0	R/W-0	R/W-0	R/W-0	R/W-0	R/W-0
—	—	RP9R5	RP9R4	RP9R3	RP9R2	RP9R1	RP9R0
bit 15							bit 8

U-0	U-0	R/W-0	R/W-0	R/W-0	R/W-0	R/W-0	R/W-0
—	—	RP8R5	RP8R4	RP8R3	RP8R2	RP8R1	RP8R0
bit 7							bit 0

Legend:

R = Readable bit W = Writable bit U = Unimplemented bit, read as '0'
 -n = Value at POR '1' = Bit is set '0' = Bit is cleared x = Bit is unknown

- bit 15-14 **Unimplemented:** Read as '0'
- bit 13-8 **RP9R[5:0]:** RP9 Output Pin Mapping bits
 Peripheral Output Number n is assigned to pin, RP9 (see [Table 11-12](#) for peripheral function numbers).
- bit 7-6 **Unimplemented:** Read as '0'
- bit 5-0 **RP8R[5:0]:** RP8 Output Pin Mapping bits
 Peripheral Output Number n is assigned to pin, RP8 (see [Table 11-12](#) for peripheral function numbers).

REGISTER 11-28: RPOR5: PERIPHERAL PIN SELECT OUTPUT REGISTER 5

U-0	U-0	R/W-0	R/W-0	R/W-0	R/W-0	R/W-0	R/W-0
—	—	RP11R5	RP11R4	RP11R3	RP11R2	RP11R1	RP11R0
bit 15							bit 8

U-0	U-0	R/W-0	R/W-0	R/W-0	R/W-0	R/W-0	R/W-0
—	—	RP10R5	RP10R4	RP10R3	RP10R2	RP10R1	RP10R0
bit 7							bit 0

Legend:

R = Readable bit W = Writable bit U = Unimplemented bit, read as '0'
 -n = Value at POR '1' = Bit is set '0' = Bit is cleared x = Bit is unknown

- bit 15-14 **Unimplemented:** Read as '0'
- bit 13-8 **RP11R[5:0]:** RP11 Output Pin Mapping bits
 Peripheral Output Number n is assigned to pin, RP11 (see [Table 11-12](#) for peripheral function numbers).
- bit 7-6 **Unimplemented:** Read as '0'
- bit 5-0 **RP10R[5:0]:** RP10 Output Pin Mapping bits
 Peripheral Output Number n is assigned to pin, RP10 (see [Table 11-12](#) for peripheral function numbers).

PIC24FJ256GA412/GB412 FAMILY

REGISTER 11-29: RPOR6: PERIPHERAL PIN SELECT OUTPUT REGISTER 6

U-0	U-0	R/W-0	R/W-0	R/W-0	R/W-0	R/W-0	R/W-0
—	—	RP13R5	RP13R4	RP13R3	RP13R2	RP13R1	RP13R0
bit 15							bit 8

U-0	U-0	R/W-0	R/W-0	R/W-0	R/W-0	R/W-0	R/W-0
—	—	RP12R5	RP12R4	RP12R3	RP12R2	RP12R1	RP12R0
bit 7							bit 0

Legend:

R = Readable bit W = Writable bit U = Unimplemented bit, read as '0'
 -n = Value at POR '1' = Bit is set '0' = Bit is cleared x = Bit is unknown

- bit 15-14 **Unimplemented:** Read as '0'
- bit 13-8 **RP13R[5:0]:** RP13 Output Pin Mapping bits
 Peripheral Output Number n is assigned to pin, RP13 (see [Table 11-12](#) for peripheral function numbers).
- bit 7-6 **Unimplemented:** Read as '0'
- bit 5-0 **RP12R[5:0]:** RP12 Output Pin Mapping bits
 Peripheral Output Number n is assigned to pin, RP12 (see [Table 11-12](#) for peripheral function numbers).

REGISTER 11-30: RPOR7: PERIPHERAL PIN SELECT OUTPUT REGISTER 7

U-0	U-0	R/W-0	R/W-0	R/W-0	R/W-0	R/W-0	R/W-0
—	—	RP15R5 ⁽¹⁾	RP15R4 ⁽¹⁾	RP15R3 ⁽¹⁾	RP15R2 ⁽¹⁾	RP15R1 ⁽¹⁾	RP15R0 ⁽¹⁾
bit 15							bit 8

U-0	U-0	R/W-0	R/W-0	R/W-0	R/W-0	R/W-0	R/W-0
—	—	RP14R5	RP14R4	RP14R3	RP14R2	RP14R1	RP14R0
bit 7							bit 0

Legend:

R = Readable bit W = Writable bit U = Unimplemented bit, read as '0'
 -n = Value at POR '1' = Bit is set '0' = Bit is cleared x = Bit is unknown

- bit 15-14 **Unimplemented:** Read as '0'
- bit 13-8 **RP15R[5:0]:** RP15 Output Pin Mapping bits⁽¹⁾
 Peripheral Output Number n is assigned to pin, RP15 (see [Table 11-12](#) for peripheral function numbers).
- bit 7-6 **Unimplemented:** Read as '0'
- bit 5-0 **RP14R[5:0]:** RP14 Output Pin Mapping bits
 Peripheral Output Number n is assigned to pin, RP14 (see [Table 11-12](#) for peripheral function numbers).

Note 1: RP15 and its associated bits are not available on PIC24FJXXXGA/GB406 devices.

PIC24FJ256GA412/GB412 FAMILY

REGISTER 11-31: RPOR8: PERIPHERAL PIN SELECT OUTPUT REGISTER 8

U-0	U-0	R/W-0	R/W-0	R/W-0	R/W-0	R/W-0	R/W-0
—	—	RP17R5	RP17R4	RP17R3	RP17R2	RP17R1	RP17R0
bit 15							bit 8

U-0	U-0	R/W-0	R/W-0	R/W-0	R/W-0	R/W-0	R/W-0
—	—	RP16R5	RP16R4	RP16R3	RP16R2	RP16R1	RP16R0
bit 7							bit 0

Legend:

R = Readable bit W = Writable bit U = Unimplemented bit, read as '0'
 -n = Value at POR '1' = Bit is set '0' = Bit is cleared x = Bit is unknown

- bit 15-14 **Unimplemented:** Read as '0'
- bit 13-8 **RP17R[5:0]:** RP17 Output Pin Mapping bits
 Peripheral Output Number n is assigned to pin, RP17 (see [Table 11-12](#) for peripheral function numbers).
- bit 7-6 **Unimplemented:** Read as '0'
- bit 5-0 **RP16R[5:0]:** RP16 Output Pin Mapping bits
 Peripheral Output Number n is assigned to pin, RP16 (see [Table 11-12](#) for peripheral function numbers).

REGISTER 11-32: RPOR9: PERIPHERAL PIN SELECT OUTPUT REGISTER 9

U-0	U-0	R/W-0	R/W-0	R/W-0	R/W-0	R/W-0	R/W-0
—	—	RP19R5	RP19R4	RP19R3	RP19R2	RP19R1	RP19R0
bit 15							bit 8

U-0	U-0	R/W-0	R/W-0	R/W-0	R/W-0	R/W-0	R/W-0
—	—	RP18R5	RP18R4	RP18R3	RP18R2	RP18R1	RP18R0
bit 7							bit 0

Legend:

R = Readable bit W = Writable bit U = Unimplemented bit, read as '0'
 -n = Value at POR '1' = Bit is set '0' = Bit is cleared x = Bit is unknown

- bit 15-14 **Unimplemented:** Read as '0'
- bit 13-8 **RP19R[5:0]:** RP19 Output Pin Mapping bits
 Peripheral Output Number n is assigned to pin, RP19 (see [Table 11-12](#) for peripheral function numbers).
- bit 7-6 **Unimplemented:** Read as '0'
- bit 5-0 **RP18R[5:0]:** RP18 Output Pin Mapping bits
 Peripheral Output Number n is assigned to pin, RP18 (see [Table 11-12](#) for peripheral function numbers).

PIC24FJ256GA412/GB412 FAMILY

REGISTER 11-33: RPOR10: PERIPHERAL PIN SELECT OUTPUT REGISTER 10

U-0	U-0	R/W-0	R/W-0	R/W-0	R/W-0	R/W-0	R/W-0
—	—	RP21R5	RP21R4	RP21R3	RP21R2	RP21R1	RP21R0
bit 15							bit 8

U-0	U-0	R/W-0	R/W-0	R/W-0	R/W-0	R/W-0	R/W-0
—	—	RP20R5	RP20R4	RP20R3	RP20R2	RP20R1	RP20R0
bit 7							bit 0

Legend:

R = Readable bit W = Writable bit U = Unimplemented bit, read as '0'
 -n = Value at POR '1' = Bit is set '0' = Bit is cleared x = Bit is unknown

- bit 15-14 **Unimplemented:** Read as '0'
- bit 13-8 **RP21R[5:0]:** RP21 Output Pin Mapping bits
 Peripheral Output Number n is assigned to pin, RP21 (see [Table 11-12](#) for peripheral function numbers).
- bit 7-6 **Unimplemented:** Read as '0'
- bit 5-0 **RP20R[5:0]:** RP20 Output Pin Mapping bits
 Peripheral Output Number n is assigned to pin, RP20 (see [Table 11-12](#) for peripheral function numbers).

REGISTER 11-34: RPOR11: PERIPHERAL PIN SELECT OUTPUT REGISTER 11

U-0	U-0	R/W-0	R/W-0	R/W-0	R/W-0	R/W-0	R/W-0
—	—	RP23R5	RP23R4	RP23R3	RP23R2	RP23R1	RP23R0
bit 15							bit 8

U-0	U-0	R/W-0	R/W-0	R/W-0	R/W-0	R/W-0	R/W-0
—	—	RP22R5	RP22R4	RP22R3	RP22R2	RP22R1	RP22R0
bit 7							bit 0

Legend:

R = Readable bit W = Writable bit U = Unimplemented bit, read as '0'
 -n = Value at POR '1' = Bit is set '0' = Bit is cleared x = Bit is unknown

- bit 15-14 **Unimplemented:** Read as '0'
- bit 13-8 **RP23R[5:0]:** RP23 Output Pin Mapping bits
 Peripheral Output Number n is assigned to pin, RP23 (see [Table 11-12](#) for peripheral function numbers).
- bit 7-6 **Unimplemented:** Read as '0'
- bit 5-0 **RP22R[5:0]:** RP22 Output Pin Mapping bits
 Peripheral Output Number n is assigned to pin, RP22 (see [Table 11-12](#) for peripheral function numbers).

PIC24FJ256GA412/GB412 FAMILY

REGISTER 11-35: RPOR12: PERIPHERAL PIN SELECT OUTPUT REGISTER 12

U-0	U-0	R/W-0	R/W-0	R/W-0	R/W-0	R/W-0	R/W-0
—	—	RP25R5	RP25R4	RP25R3	RP25R2	RP25R1	RP25R0
bit 15							bit 8

U-0	U-0	R/W-0	R/W-0	R/W-0	R/W-0	R/W-0	R/W-0
—	—	RP24R5	RP24R4	RP24R3	RP24R2	RP24R1	RP24R0
bit 7							bit 0

Legend:

R = Readable bit W = Writable bit U = Unimplemented bit, read as '0'
 -n = Value at POR '1' = Bit is set '0' = Bit is cleared x = Bit is unknown

- bit 15-14 **Unimplemented:** Read as '0'
- bit 13-8 **RP25R[5:0]:** RP25 Output Pin Mapping bits
 Peripheral Output Number n is assigned to pin, RP25 (see [Table 11-12](#) for peripheral function numbers).
- bit 7-6 **Unimplemented:** Read as '0'
- bit 5-0 **RP24R[5:0]:** RP24 Output Pin Mapping bits
 Peripheral Output Number n is assigned to pin, RP24 (see [Table 11-12](#) for peripheral function numbers).

REGISTER 11-36: RPOR13: PERIPHERAL PIN SELECT OUTPUT REGISTER 13

U-0	U-0	R/W-0	R/W-0	R/W-0	R/W-0	R/W-0	R/W-0
—	—	RP27R5	RP27R4	RP27R3	RP27R2	RP27R1	RP27R0
bit 15							bit 8

U-0	U-0	R/W-0	R/W-0	R/W-0	R/W-0	R/W-0	R/W-0
—	—	RP26R5	RP26R4	RP26R3	RP26R2	RP26R1	RP26R0
bit 7							bit 0

Legend:

R = Readable bit W = Writable bit U = Unimplemented bit, read as '0'
 -n = Value at POR '1' = Bit is set '0' = Bit is cleared x = Bit is unknown

- bit 15-14 **Unimplemented:** Read as '0'
- bit 13-8 **RP27R[5:0]:** RP27 Output Pin Mapping bits
 Peripheral Output Number n is assigned to pin, RP27 (see [Table 11-12](#) for peripheral function numbers).
- bit 7-6 **Unimplemented:** Read as '0'
- bit 5-0 **RP26R[5:0]:** RP26 Output Pin Mapping bits
 Peripheral Output Number n is assigned to pin, RP26 (see [Table 11-12](#) for peripheral function numbers).

PIC24FJ256GA412/GB412 FAMILY

REGISTER 11-37: RPOR14: PERIPHERAL PIN SELECT OUTPUT REGISTER 14

U-0	U-0	R/W-0	R/W-0	R/W-0	R/W-0	R/W-0	R/W-0
—	—	RP29R5	RP29R4	RP29R3	RP29R2	RP29R1	RP29R0
bit 15							bit 8

U-0	U-0	R/W-0	R/W-0	R/W-0	R/W-0	R/W-0	R/W-0
—	—	RP28R5	RP28R4	RP28R3	RP28R2	RP28R1	RP28R0
bit 7							bit 0

Legend:

R = Readable bit W = Writable bit U = Unimplemented bit, read as '0'
 -n = Value at POR '1' = Bit is set '0' = Bit is cleared x = Bit is unknown

- bit 15-14 **Unimplemented:** Read as '0'
- bit 13-8 **RP29R[5:0]:** RP29 Output Pin Mapping bits
Peripheral Output Number n is assigned to pin, RP29 (see [Table 11-12](#) for peripheral function numbers).
- bit 7-6 **Unimplemented:** Read as '0'
- bit 5-0 **RP28R[5:0]:** RP28 Output Pin Mapping bits
Peripheral Output Number n is assigned to pin, RP28 (see [Table 11-12](#) for peripheral function numbers).

REGISTER 11-38: RPOR15: PERIPHERAL PIN SELECT OUTPUT REGISTER 15

U-0	U-0	R/W-0	R/W-0	R/W-0	R/W-0	R/W-0	R/W-0
—	—	RP31R5 ⁽¹⁾	RP31R4 ⁽¹⁾	RP31R3 ⁽¹⁾	RP31R2 ⁽¹⁾	RP31R1 ⁽¹⁾	RP31R0 ⁽¹⁾
bit 15							bit 8

U-0	U-0	R/W-0	R/W-0	R/W-0	R/W-0	R/W-0	R/W-0
—	—	RP30R5 ⁽²⁾	RP30R4 ⁽²⁾	RP30R3 ⁽²⁾	RP30R2 ⁽²⁾	RP30R1 ⁽²⁾	RP30R0 ⁽²⁾
bit 7							bit 0

Legend:

R = Readable bit W = Writable bit U = Unimplemented bit, read as '0'
 -n = Value at POR '1' = Bit is set '0' = Bit is cleared x = Bit is unknown

- bit 15-14 **Unimplemented:** Read as '0'
- bit 13-8 **RP31R[5:0]:** RP31 Output Pin Mapping bits⁽¹⁾
Peripheral Output Number n is assigned to pin, RP31 (see [Table 11-12](#) for peripheral function numbers).
- bit 7-6 **Unimplemented:** Read as '0'
- bit 5-0 **RP30R[5:0]:** RP30 Output Pin Mapping bits⁽²⁾
Peripheral Output Number n is assigned to pin, RP30 (see [Table 11-12](#) for peripheral function numbers).

- Note 1:** RP31 and its associated bits are not available on PIC24FJXXXGA/GB406 devices.
Note 2: RP30 and its associated bits are not available on PIC24FJXXXGB406 devices.

PIC24FJ256GA412/GB412 FAMILY

12.0 TIMER1

Note: This data sheet summarizes the features of this group of PIC24F devices. It is not intended to be a comprehensive reference source. For more information, refer to the “dsPIC33/PIC24 Family Reference Manual”, “Timers” (www.microchip.com/DS39704). The information in this data sheet supersedes the information in the FRM.

The Timer1 module is a 16-bit timer, which serves as a free-running, interval timer/counter. It can operate in three modes:

- 16-Bit Timer
- 16-Bit Synchronous Counter
- 16-Bit Asynchronous Counter

Timer1 also supports these features:

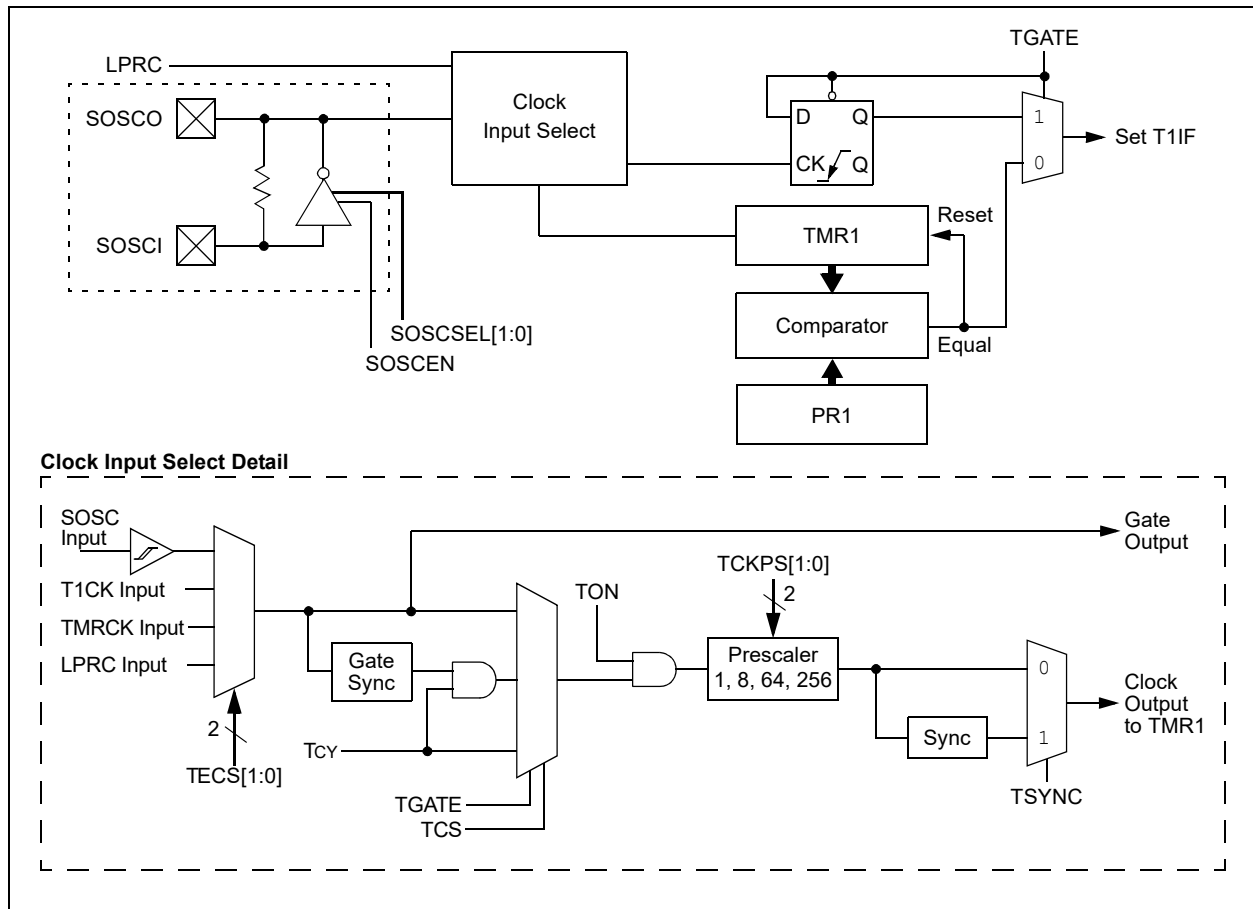
- Timer Gate Operation
- Selectable Prescaler Settings
- Timer Operation during CPU Idle and Sleep Modes
- Interrupt on 16-Bit Period Register Match or Falling Edge of External Gate Signal

Figure 12-1 shows a block diagram of the 16-bit timer module.

To configure Timer1 for operation:

1. Set the TON bit (= 1).
2. Select the timer prescaler ratio using the TCKPS[1:0] bits.
3. Set the Clock and Gating modes using the TCS, TECS[1:0] and TGATE bits.
4. Set or clear the TSYNC bit to configure synchronous or asynchronous operation.
5. Load the timer period value into the PR1 register.
6. If interrupts are required, set the Timer1 Interrupt Enable bit, T1IE. Use the Timer1 Interrupt Priority bits, T1IP[2:0], to set the interrupt priority.

FIGURE 12-1: 16-BIT TIMER1 MODULE BLOCK DIAGRAM



PIC24FJ256GA412/GB412 FAMILY

REGISTER 12-1: T1CON: TIMER1 CONTROL REGISTER⁽¹⁾

R/W-0	U-0	R/W-0	U-0	U-0	U-0	R/W-0	R/W-0
TON	—	TSIDL	—	—	—	TECS1	TECS0
bit 15						bit 8	
U-0	R/W-0	R/W-0	R/W-0	U-0	R/W-0	R/W-0	U-0
—	TGATE	TCKPS1	TCKPS0	—	TSYNC	TCS	—
bit 7						bit 0	

Legend:

R = Readable bit W = Writable bit U = Unimplemented bit, read as '0'
 -n = Value at POR '1' = Bit is set '0' = Bit is cleared x = Bit is unknown

- bit 15 **TON:** Timer1 On bit
 1 = Starts 16-bit Timer1
 0 = Stops 16-bit Timer1
- bit 14 **Unimplemented:** Read as '0'
- bit 13 **TSIDL:** Timer1 Stop in Idle Mode bit
 1 = Discontinues module operation when device enters Idle mode
 0 = Continues module operation in Idle mode
- bit 12-10 **Unimplemented:** Read as '0'
- bit 9-8 **TECS[1:0]:** Timer1 Extended Clock Source Select bits (selected when TCS = 1)
 When TCS = 1:
 11 = Generic Timer (TMRCK) external input⁽²⁾
 10 = LPRC Oscillator
 01 = T1CK external clock input
 00 = SOSC
 When TCS = 0:
 These bits are ignored; the timer is clocked from the internal system clock (FOSC/2).
- bit 7 **Unimplemented:** Read as '0'
- bit 6 **TGATE:** Timer1 Gated Time Accumulation Enable bit
 When TCS = 1:
 This bit is ignored.
 When TCS = 0:
 1 = Gated time accumulation is enabled
 0 = Gated time accumulation is disabled
- bit 5-4 **TCKPS[1:0]:** Timer1 Input Clock Prescale Select bits
 11 = 1:256
 10 = 1:64
 01 = 1:8
 00 = 1:1
- bit 3 **Unimplemented:** Read as '0'

- Note 1:** Changing the value of T1CON while the timer is running (TON = 1) causes the timer prescale counter to reset and is not recommended.
- 2:** The TMRCK input must also be assigned to an available RPN or RPI pin. See [Section 11.5 “Peripheral Pin Select \(PPS\)”](#) for more information.

PIC24FJ256GA412/GB412 FAMILY

REGISTER 12-1: T1CON: TIMER1 CONTROL REGISTER⁽¹⁾ (CONTINUED)

bit 2 **TSYNC:** Timer1 External Clock Input Synchronization Select bit

When TCS = 1:

1 = Synchronizes external clock input

0 = Does not synchronize external clock input

When TCS = 0:

This bit is ignored.

bit 1 **TCS:** Timer1 Clock Source Select bit

1 = Extended clock selected by the TECS[1:0] bits

0 = Internal clock ($F_{OSC}/2$)

bit 0 **Unimplemented:** Read as '0'

Note 1: Changing the value of T1CON while the timer is running ($TON = 1$) causes the timer prescale counter to reset and is not recommended.

2: The TMRCK input must also be assigned to an available RPh or RPIIn pin. See [Section 11.5 “Peripheral Pin Select \(PPS\)”](#) for more information.

PIC24FJ256GA412/GB412 FAMILY

NOTES:

PIC24FJ256GA412/GB412 FAMILY

13.0 TIMER2/3 AND TIMER4/5

Note: This data sheet summarizes the features of this group of PIC24F devices. It is not intended to be a comprehensive reference source. For more information, refer to the “*dsPIC33/PIC24 Family Reference Manual*”, “**Timers**” (www.microchip.com/DS39704). The information in this data sheet supersedes the information in the FRM.

The Timer2/3 and Timer4/5 modules are 32-bit timers, which can also be configured as four independent, 16-bit timers with selectable operating modes.

As 32-bit timers, Timer2/3 and Timer4/5 can each operate in three modes:

- Two Independent 16-Bit Timers with all 16-Bit Operating Modes (except Asynchronous Counter mode)
- Single 32-Bit Timer
- Single 32-Bit Synchronous Counter

They also support these features:

- Timer Gate Operation
- Selectable Prescaler Settings
- Timer Operation during Idle and Sleep Modes
- Interrupt on a 32-Bit Period Register Match
- A/D Event Trigger (only on Timer2/3 in 32-bit mode and Timer3 in 16-bit mode)

Individually, all four of the 16-bit timers can function as synchronous timers or counters. They also offer the features listed above, except for the A/D Event Trigger. This trigger is implemented only on Timer2/3 in 32-bit mode and Timer3 in 16-bit mode. The operating modes and enabled features are determined by setting the appropriate bit(s) in the T2CON, T3CON, T4CON and T5CON registers. T2CON and T4CON are shown in generic form in [Register 13-1](#); T3CON and T5CON are shown in [Register 13-2](#).

For 32-bit timer/counter operation, Timer2 and Timer4 are the least significant word; Timer3 and Timer5 are the most significant word of the 32-bit timers.

Note: For 32-bit operation, T3CON and T5CON control bits are ignored. Only T2CON and T4CON control bits are used for setup and control. Timer2 and Timer4 clock and gate inputs are utilized for the 32-bit timer modules, but an interrupt is generated with the Timer3 or Timer5 interrupt flags.

To configure Timer2/3 or Timer4/5 for 32-bit operation:

1. Set the T32 or T45 bit (T2CON[3] or T4CON[3] = 1).
2. Select the prescaler ratio for Timer2 or Timer4 using the TCKPS[1:0] bits.
3. Set the Clock and Gating modes using the TCS and TGATE bits. If TCS is set to an external clock, RPINRx (TxCK) must be configured to an available RPn/RPIn pin. For more information, see [Section 11.5 “Peripheral Pin Select \(PPS\)”](#).
4. Load the timer period value. PR3 (or PR5) will contain the most significant word (msw) of the value, while PR2 (or PR4) contains the least significant word (lsw).
5. If interrupts are required, set the interrupt enable bit, T3IE or T5IE. Use the priority bits, T3IP[2:0] or T5IP[2:0], to set the interrupt priority. Note that while Timer2 or Timer4 controls the timer, the interrupt appears as a Timer3 or Timer5 interrupt.
6. Set the TON bit (= 1).

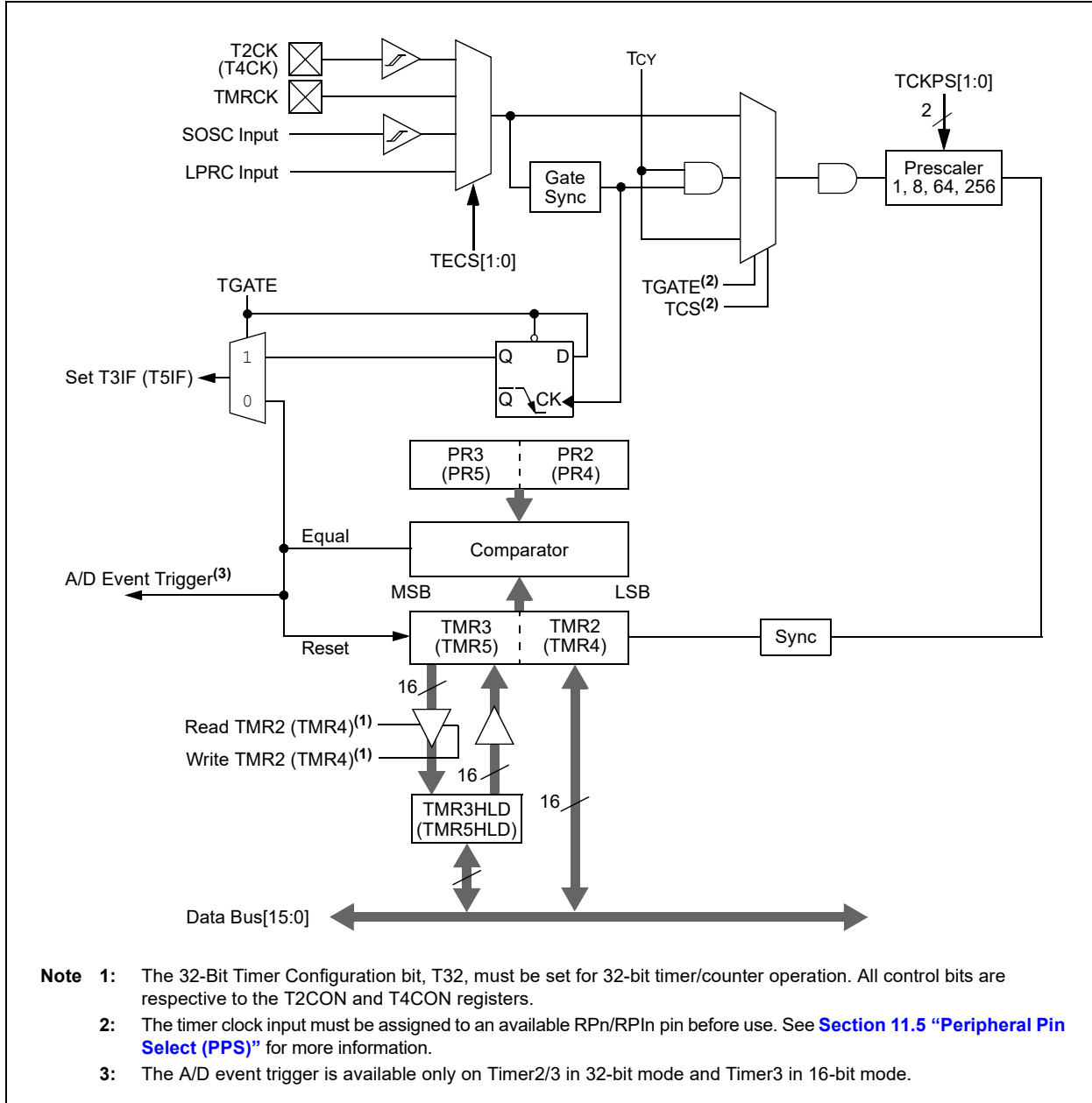
The timer value, at any point, is stored in the register pair, TMR[3:2] (or TMR[5:4]). TMR3 (TMR5) always contains the most significant word of the count, while TMR2 (TMR4) contains the least significant word.

To configure any of the timers for individual 16-bit operation:

1. Clear the T32 bit corresponding to that timer (T2CON[3] for Timer2 and Timer3 or T4CON[3] for Timer4 and Timer5).
2. Select the timer prescaler ratio using the TCKPS[1:0] bits.
3. Set the Clock and Gating modes using the TCS and TGATE bits. See [Section 11.5 “Peripheral Pin Select \(PPS\)”](#) for more information.
4. Load the timer period value into the PRx register.
5. If interrupts are required, set the interrupt enable bit, TxIE. Use the priority bits, TxIP[2:0], to set the interrupt priority.
6. Set the TON (TxCON[15] = 1) bit.

PIC24FJ256GA412/GB412 FAMILY

FIGURE 13-1: TIMER2/3 AND TIMER4/5 (32-BIT) BLOCK DIAGRAM



PIC24FJ256GA412/GB412 FAMILY

FIGURE 13-2: TIMER2 AND TIMER4 (16-BIT SYNCHRONOUS) BLOCK DIAGRAM

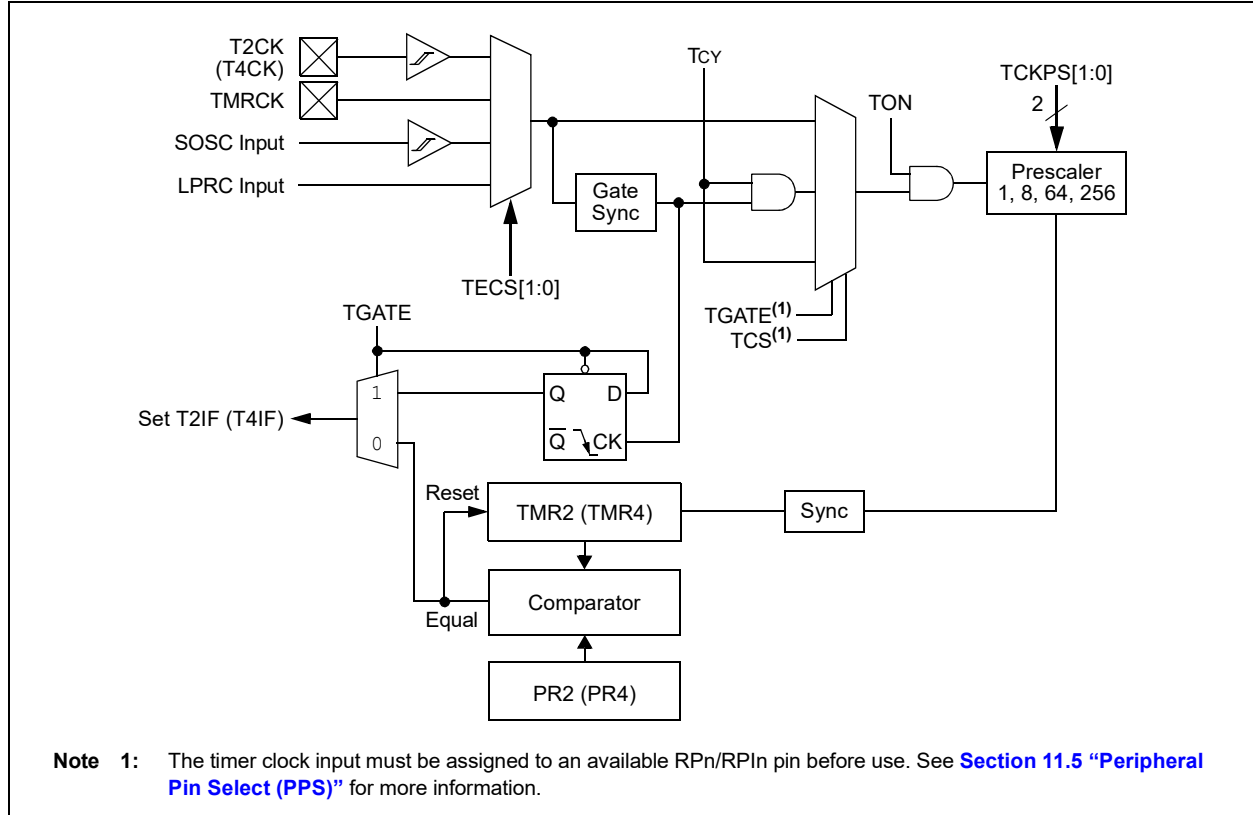
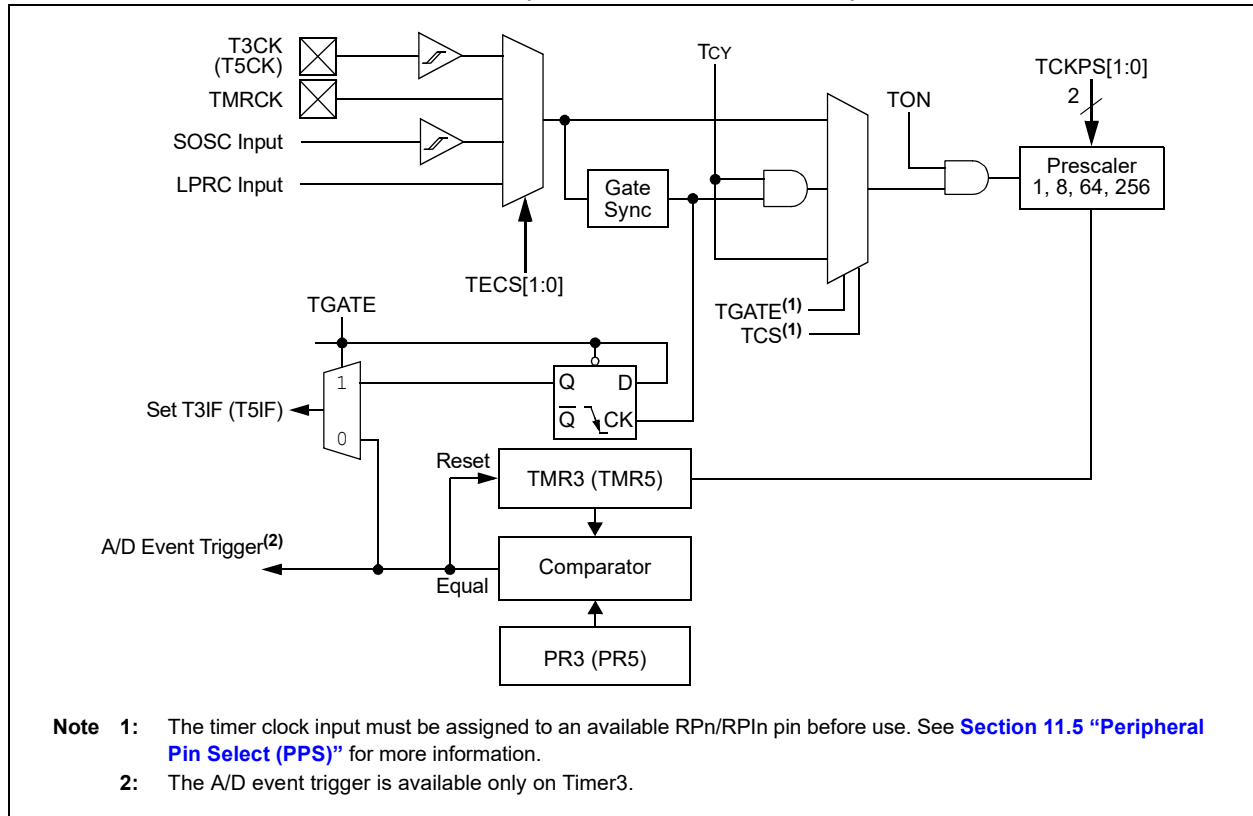


FIGURE 13-3: TIMER3 AND TIMER5 (16-BIT ASYNCHRONOUS) BLOCK DIAGRAM



PIC24FJ256GA412/GB412 FAMILY

REGISTER 13-1: TxCON: TIMER2 AND TIMER4 CONTROL REGISTER⁽¹⁾

R/W-0	U-0	R/W-0	U-0	U-0	U-0	R/W-0	R/W-0
TON	—	TSIDL	—	—	—	TECS1 ⁽²⁾	TECS0 ⁽²⁾
bit 15						bit 8	

U-0	R/W-0	R/W-0	R/W-0	R/W-0	U-0	R/W-0	U-0
—	TGATE	TCKPS1	TCKPS0	T32 ⁽³⁾	—	TCS ⁽²⁾	—
bit 7						bit 0	

Legend:

R = Readable bit W = Writable bit U = Unimplemented bit, read as '0'
 -n = Value at POR '1' = Bit is set '0' = Bit is cleared x = Bit is unknown

- bit 15 **TON:** Timerx On bit
 When TxCON[3] = 1:
 1 = Starts 32-bit Timerx/y
 0 = Stops 32-bit Timerx/y
 When TxCON[3] = 0:
 1 = Starts 16-bit Timerx
 0 = Stops 16-bit Timerx
- bit 14 **Unimplemented:** Read as '0'
- bit 13 **TSIDL:** Timerx Stop in Idle Mode bit
 1 = Discontinues module operation when device enters Idle mode
 0 = Continues module operation in Idle mode
- bit 12-10 **Unimplemented:** Read as '0'
- bit 9-8 **TECS[1:0]:** Timerx Extended Clock Source Select bits (selected when TCS = 1)⁽²⁾
 When TCS = 1:
 11 = Generic Timer (TMRCK) external input
 10 = LPRC Oscillator
 01 = TxCK external clock input
 00 = SOSC
 When TCS = 0:
 These bits are ignored; the Timer is clocked from the internal system clock (Fosc/2).
- bit 7 **Unimplemented:** Read as '0'
- bit 6 **TGATE:** Timerx Gated Time Accumulation Enable bit
 When TCS = 1:
 This bit is ignored.
 When TCS = 0:
 1 = Gated time accumulation is enabled
 0 = Gated time accumulation is disabled
- bit 5-4 **TCKPS[1:0]:** Timerx Input Clock Prescale Select bits
 11 = 1:256
 10 = 1:64
 01 = 1:8
 00 = 1:1

- Note 1:** Changing the value of TxCON while the timer is running (TON = 1) causes the timer prescale counter to reset and is not recommended.
- 2:** If TCS = 1 and TECS[1:0] = x1, the selected external timer input (TMRCK or TxCK) must be configured to an available RPN/RPI pin. For more information, see [Section 11.5 “Peripheral Pin Select \(PPS\)”](#).
- 3:** In T4CON, the T45 bit is implemented instead of T32 to select 32-bit mode. In 32-bit mode, the T3CON or T5CON control bits do not affect 32-bit timer operation.

PIC24FJ256GA412/GB412 FAMILY

REGISTER 13-1: TxCON: TIMER2 AND TIMER4 CONTROL REGISTER⁽¹⁾ (CONTINUED)

- bit 3 **T32:** 32-Bit Timer Mode Select bit⁽³⁾
1 = Timerx and Timery form a single 32-bit timer
0 = Timerx and Timery act as two 16-bit timers
In 32-bit mode, T3CON control bits do not affect 32-bit timer operation.
- bit 2 **Unimplemented:** Read as '0'
- bit 1 **TCS:** Timerx Clock Source Select bit⁽²⁾
1 = Timer source is selected by TECS[1:0]
0 = Internal clock (FOSC/2)
- bit 0 **Unimplemented:** Read as '0'

- Note 1:** Changing the value of TxCON while the timer is running (TON = 1) causes the timer prescale counter to reset and is not recommended.
- 2:** If TCS = 1 and TECS[1:0] = x1, the selected external timer input (TMRCK or TxCK) must be configured to an available RPN/RPI pin. For more information, see [Section 11.5 “Peripheral Pin Select \(PPS\)”](#).
- 3:** In T4CON, the T45 bit is implemented instead of T32 to select 32-bit mode. In 32-bit mode, the T3CON or T5CON control bits do not affect 32-bit timer operation.

PIC24FJ256GA412/GB412 FAMILY

REGISTER 13-2: TyCON: TIMER3 AND TIMER5 CONTROL REGISTER⁽¹⁾

R/W-0	U-0	R/W-0	U-0	U-0	U-0	R/W-0	R/W-0
TON ⁽²⁾	—	TSIDL ⁽²⁾	—	—	—	TECS1 ^(2,3)	TECS0 ^(2,3)
bit 15						bit 8	

U-0	R/W-0	R/W-0	R/W-0	U-0	U-0	R/W-0	U-0
—	TGATE ⁽²⁾	TCKPS1 ⁽²⁾	TCKPS0 ⁽²⁾	—	—	TCS ^(2,3)	—
bit 7						bit 0	

Legend:

R = Readable bit

W = Writable bit

U = Unimplemented bit, read as '0'

-n = Value at POR

'1' = Bit is set

'0' = Bit is cleared

x = Bit is unknown

bit 15 **TON:** Timery On bit⁽²⁾

1 = Starts 16-bit Timery

0 = Stops 16-bit Timery

bit 14 **Unimplemented:** Read as '0'

bit 13 **TSIDL:** Timery Stop in Idle Mode bit⁽²⁾

1 = Discontinues module operation when device enters Idle mode

0 = Continues module operation in Idle mode

bit 12-10 **Unimplemented:** Read as '0'

bit 9-8 **TECS[1:0]:** Timery Extended Clock Source Select bits (selected when TCS = 1)^(2,3)

11 = Generic Timer (TMRCK) external input

10 = LPRC Oscillator

01 = TxCK external clock input

00 = SOSC

bit 7 **Unimplemented:** Read as '0'

bit 6 **TGATE:** Timery Gated Time Accumulation Enable bit⁽²⁾

When TCS = 1:

This bit is ignored.

When TCS = 0:

1 = Gated time accumulation is enabled

0 = Gated time accumulation is disabled

bit 5-4 **TCKPS[1:0]:** Timery Input Clock Prescale Select bits⁽²⁾

11 = 1:256

10 = 1:64

01 = 1:8

00 = 1:1

bit 3-2 **Unimplemented:** Read as '0'

bit 1 **TCS:** Timery Clock Source Select bit^(2,3)

1 = External clock from pin, TyCK (on the rising edge)

0 = Internal clock (Fosc/2)

bit 0 **Unimplemented:** Read as '0'

Note 1: Changing the value of TyCON while the timer is running (TON = 1) causes the timer prescale counter to reset and is not recommended.

2: When 32-bit operation is enabled (T2CON[3] or T4CON[3] = 1), these bits have no effect on Timery operation; all timer functions are set through T2CON and T4CON.

3: If TCS = 1 and TECS[1:0] = x1, the selected external timer input (TyCK) must be configured to an available RPN/RPI pin. For more information, see [Section 11.5 "Peripheral Pin Select \(PPS\)"](#).

PIC24FJ256GA412/GB412 FAMILY

14.0 CAPTURE/COMPARE/PWM/TIMER MODULES (MCCP AND SCCP)

Note: This data sheet summarizes the features of this group of PIC24F devices. It is not intended to be a comprehensive reference source. For more information on the MCCP/SCCP modules, refer to the “dsPIC33/PIC24 Family Reference Manual”, “Capture/Compare/PWM/Timer (MCCP and SCCP)” (www.microchip.com/DS30003035). The information in this data sheet supersedes the information in the FRM.

PIC24FJ256GA412/GB412 family devices include several Capture/Compare/PWM/Timer base modules, which provide the functionality of three different peripherals of earlier PIC24F devices. The module can operate in one of three major modes:

- General Purpose Timer
- Input Capture
- Output Compare/PWM

The module is provided in two different forms, distinguished by the number of PWM outputs that the module can generate. Single output modules (SCCPs) provide only one PWM output. Multiple output modules (MCCPs) can provide up to six outputs and an extended range of power control features, depending on the pin count of the particular device. All other features of the modules are identical.

The SCCP and MCCP modules can be operated only in one of the three major modes at any time. The other modes are not available unless the module is reconfigured for the new mode.

A conceptual block diagram for the module is shown in Figure 14-1. All three modes share a time base generator and a common Timer register pair (CCPxTMRH/L); other shared hardware components are added as a particular mode requires.

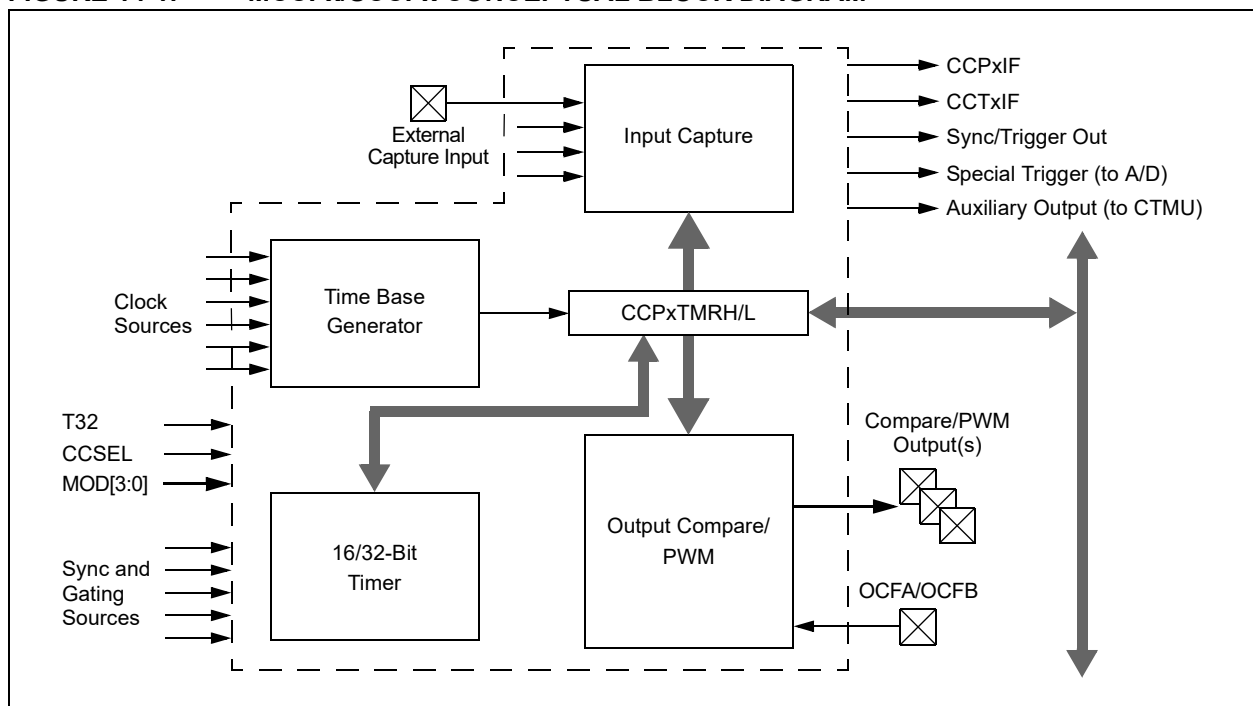
Each module has a total of seven control and status registers:

- CCPxCON1L (Register 14-1)
- CCPxCON1H (Register 14-2)
- CCPxCON2L (Register 14-3)
- CCPxCON2H (Register 14-4)
- CCPxCON3L (Register 14-5)
- CCPxCON3H (Register 14-6)
- CCPxSTATL (Register 14-7)

Each module also includes eight buffer/counter registers that serve as Timer Value registers or data holding buffers:

- CCPxTMRH/CCPxTMRL (CCPx Timer High/Low Counters)
- CCPxPRH/CCPxPRL (CCPx Timer Period High/Low)
- CCPxRAH/CCPxRAL (CCPx Primary Output Compare Data High/Low Buffers)
- CCPxRBH/CCPxRBL (CCPx Secondary Output Compare Data High/Low Buffers)
- CCPxBUFH/CCPxBUFL (CCPx Input Capture

FIGURE 14-1: MCCPx/SCCPx CONCEPTUAL BLOCK DIAGRAM



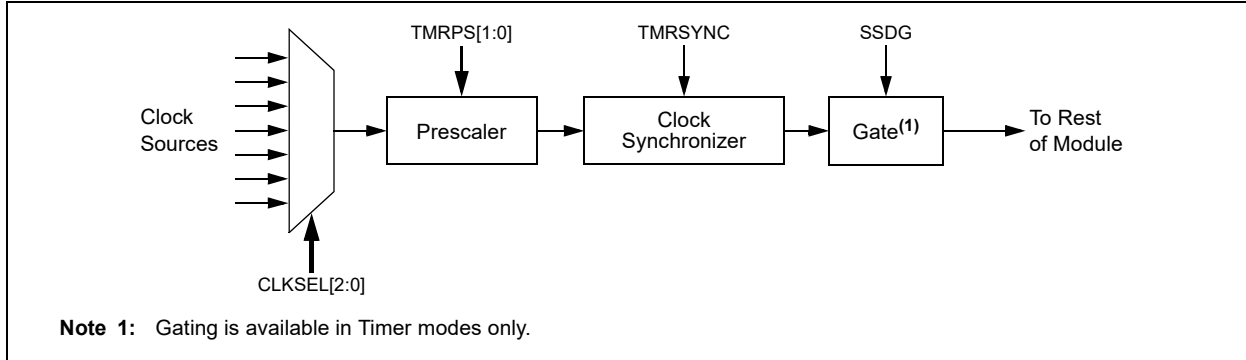
PIC24FJ256GA412/GB412 FAMILY

14.1 Time Base Generator

The Timer Clock Generator (TCG) generates a clock for the module's internal time base, using one of the clock signals already available on the microcontroller. This is used as the time reference for the module in its three major modes. The internal time base is shown in Figure 14-2.

There are eight inputs available to the clock generator, which are selected using the CLKSEL[2:0] bits (CCPxCON1L[10:8]). Available sources include the FRC and LPRC, the Secondary Oscillator and the TCKI external clock inputs. The system clock is the default source (CLKSEL[2:0] = 000).

FIGURE 14-2: TIMER CLOCK GENERATOR



14.2 General Purpose Timer

Timer mode is selected when CCSEL = 0 and MOD[3:0] = 0000. The timer can function as a 32-bit timer or a dual 16-bit timer, depending on the setting of the T32 bit (Table 14-1).

TABLE 14-1: TIMER OPERATION MODE

T32 (CCPxCON1L[5])	Operating Mode
0	Dual Timer Mode (16-bit)
1	Timer Mode (32-bit)

Dual 16-Bit Timer mode provides a simple timer function with two independent 16-bit timer/counters. The primary timer uses CCPxTMRL and CCPxPRL. Only the primary timer can interact with other modules on the device. It generates the MCCPx sync out signals for use by other MCCP modules. It can also use the SYNC[4:0] bits signal generated by other modules.

The secondary timer uses CCPxTMRH and CCPxPRH. It is intended to be used only as a periodic interrupt source for scheduling CPU events. It does not generate an output sync/trigger signal like the primary time base. In Dual Timer mode, the CCPx Secondary Timer Period register, CCPxPRH, generates the MCCP compare event (CCPxIF) used by many other modules on the device.

The 32-Bit Timer mode uses the CCPxTMRL and CCPxTMRH registers, together, as a single 32-bit timer. When CCPxTMRL overflows, CCPxTMRH increments by one. This mode provides a simple timer function when it is important to track long time periods. Note that the T32 bit (CCPxCON1L[5]) should be set before the CCPxTMRL or CCPxPRH registers are written to initialize the 32-bit timer.

14.2.1 SYNC AND TRIGGER OPERATION

In both 16-bit and 32-bit modes, the timer can also function in either synchronization ("sync") or trigger operation. Both use the SYNC[4:0] bits (CCPxCON1H[4:0]) to determine the input signal source. The difference is how that signal affects the timer.

In sync operation, the timer Reset or clear occurs when the input selected by SYNC[4:0] is asserted. The timer immediately begins to count again from zero unless it is held for some other reason. Sync operation is used whenever the TRIGEN bit (CCPxCON1H[7]) is cleared. SYNC[4:0] can have any value except '11111'.

In trigger operation, the timer is held in Reset until the input selected by SYNC[4:0] is asserted; when it occurs, the timer starts counting. Trigger operation is used whenever the TRIGEN bit is set. In Trigger mode, the timer will continue running after a trigger event as long as the CCPTRIG bit (CCPxSTATL[7]) is set. To clear CCPTRIG, the TRCLR bit (CCPxSTATL[5]) must be set to clear the trigger event, reset the timer and hold it at zero until another trigger event occurs. On PIC24FJ256GA412/GB412 family devices, trigger operation can only be used when the system clock is the time base source (CLKSEL[2:0] = 000).

PIC24FJ256GA412/GB412 FAMILY

FIGURE 14-3: DUAL 16-BIT TIMER MODE

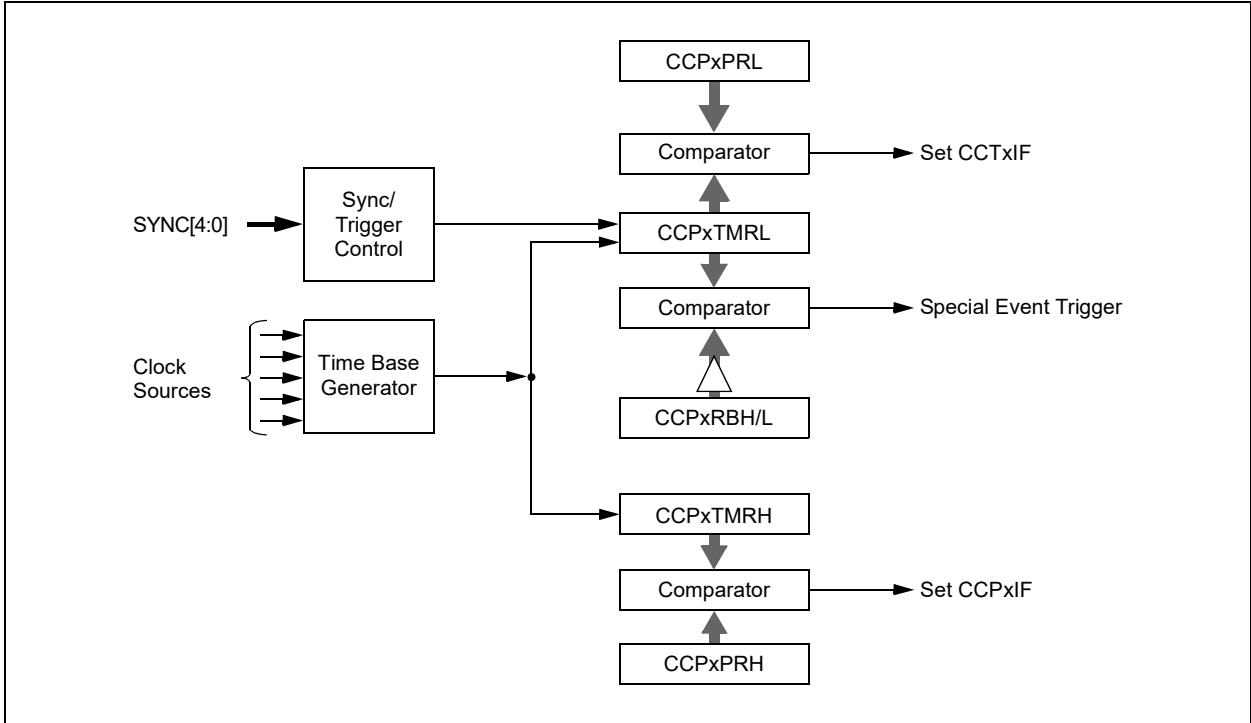
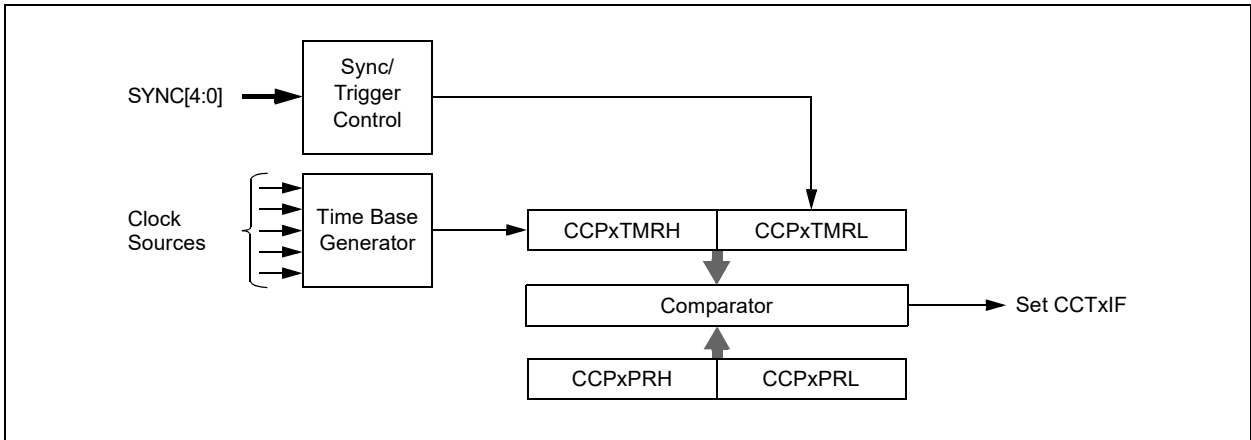


FIGURE 14-4: 32-BIT TIMER MODE



PIC24FJ256GA412/GB412 FAMILY

14.3 Output Compare Mode

Output Compare mode compares the Timer register value with the value of one or two Compare registers, depending on its mode of operation. The Output Compare x module, on compare match events, has the ability to generate a single output transition or a train of

output pulses. Like most PIC® MCU peripherals, the Output Compare x module can also generate interrupts on a compare match event.

Table 14-2 shows the various modes available in Output Compare modes.

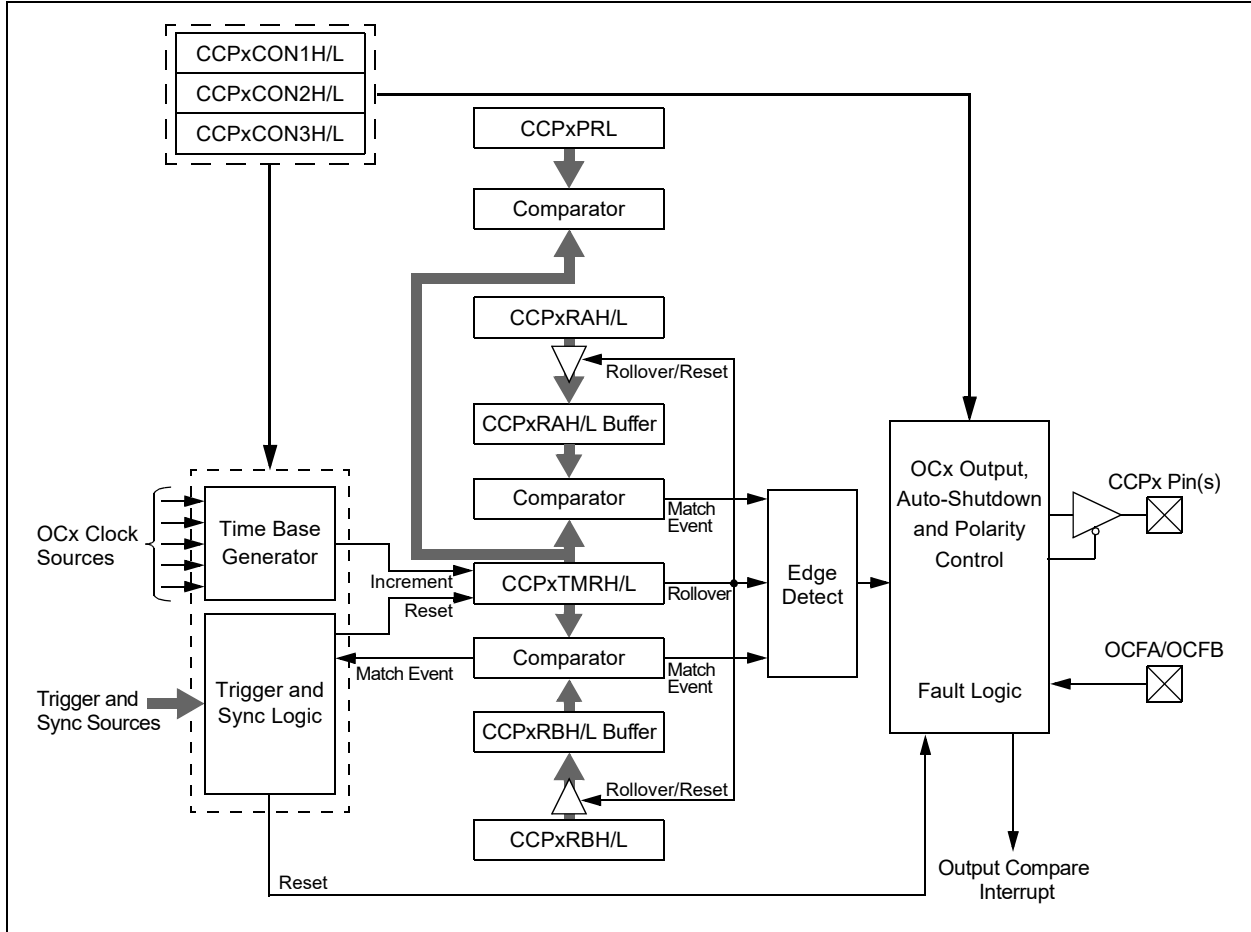
TABLE 14-2: OUTPUT COMPARE/PWM MODES

MOD[3:0] (CCPxCON1L[3:0])	T32 (CCPxCON1L[5])	Operating Mode	
0001	0	Output High on Compare (16-bit)	Single Edge Mode
0001	1	Output High on Compare (32-bit)	
0010	0	Output Low on Compare (16-bit)	
0010	1	Output Low on Compare (32-bit)	
0011	0	Output Toggle on Compare (16-bit)	
0011	1	Output Toggle on Compare (32-bit)	
0100	0	Dual Edge Compare (16-bit)	Dual Edge Mode
0101	0	Dual Edge Compare (16-bit buffered)	PWM Mode
0110	0	Center-Aligned Pulse (16-bit buffered) ⁽¹⁾	Center PWM
0111	0	Variable Frequency Pulse (16-bit)	
0111	1	Variable Frequency Pulse (32-bit)	

Note 1: Only MCCP supports center aligned PWM mode.

PIC24FJ256GA412/GB412 FAMILY

FIGURE 14-5: OUTPUT COMPARE x BLOCK DIAGRAM



PIC24FJ256GA412/GB412 FAMILY

14.4 Input Capture Mode

Input Capture mode is used to capture a timer value from an independent timer base upon an event on an input pin or other internal trigger source. The input capture features are useful in applications requiring frequency (time period) and pulse measurement. Figure 14-6 depicts a simplified block diagram of Input Capture mode.

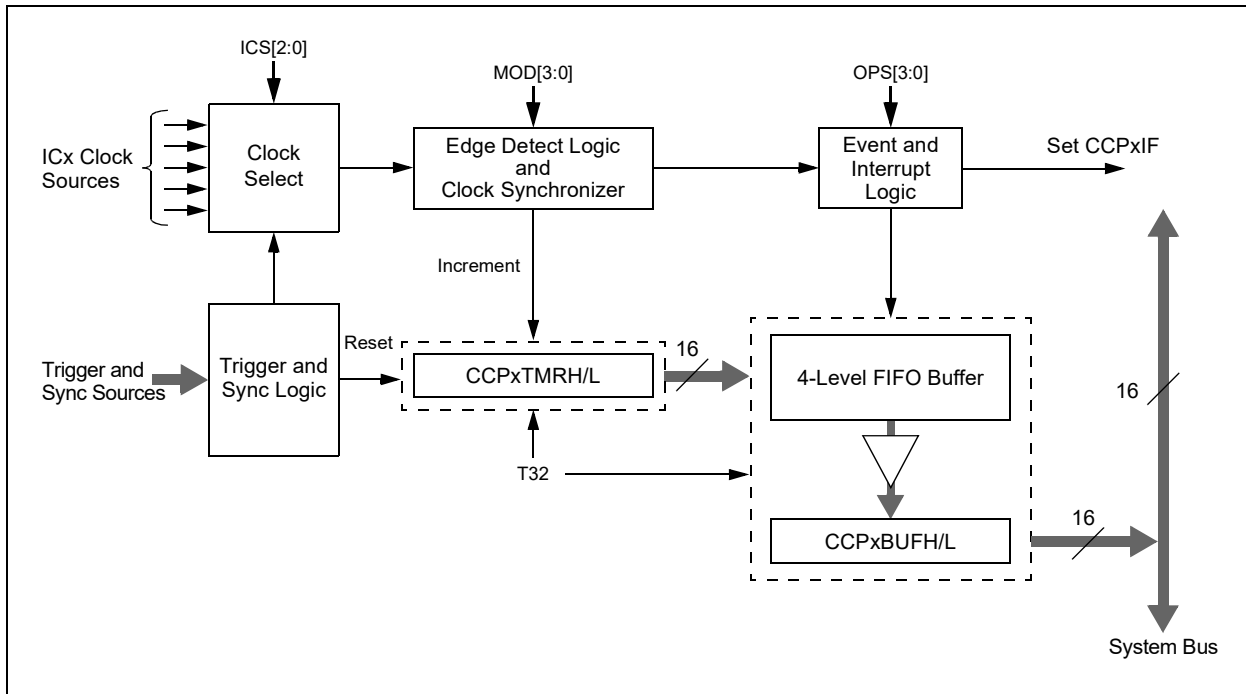
Input Capture mode uses a dedicated 16/32-bit, synchronous, up counting timer for the capture function. The timer value is written to the FIFO when a capture event occurs. The internal value may be read (with a synchronization delay) using the CCPxTMRH/L register.

To use Input Capture mode, the CCSEL bit (CCPxCON1L[4]) must be set. The T32 and the MOD[3:0] bits are used to select the proper Capture mode, as shown in Table 14-3.

TABLE 14-3: INPUT CAPTURE MODES

MOD[3:0] (CCPxCON1L[3:0])	T32 (CCPxCON1L[5])	Operating Mode
0000	0	Edge Detect (16-bit capture)
0000	1	Edge Detect (32-bit capture)
0001	0	Every Rising (16-bit capture)
0001	1	Every Rising (32-bit capture)
0010	0	Every Falling (16-bit capture)
0010	1	Every Falling (32-bit capture)
0011	0	Every Rise/Fall (16-bit capture)
0011	1	Every Rise/Fall (32-bit capture)
0100	0	Every 4th Rising (16-bit capture)
0100	1	Every 4th Rising (32-bit capture)
0101	0	Every 16th Rising (16-bit capture)
0101	1	Every 16th Rising (32-bit capture)

FIGURE 14-6: INPUT CAPTURE x BLOCK DIAGRAM



PIC24FJ256GA412/GB412 FAMILY

14.5 Auxiliary Output

The MCCPx and SCCPx modules have an auxiliary (secondary) output that provides other peripherals access to internal module signals. The auxiliary output is intended to connect to other MCCP or SCCP modules, or other digital peripherals, to provide these types of functions:

- Time Base Synchronization
- Peripheral Trigger and Clock Inputs
- Signal Gating

The type of output signal is selected using the AUXOUT[1:0] control bits (CCPxCON2H[4:3]). The type of output signal is also dependent on the module operating mode.

On the PIC24FJ256GA412/GB412 family of devices, only the CTMU discharge trigger has access to the auxiliary output signal.

TABLE 14-4: AUXILIARY OUTPUT

AUXOUT[1:0]	CCSEL	MOD[3:0]	Comments	Signal Description
00	x	xxxx	Auxiliary output disabled	No Output
01	0	0000	Time Base modes	Time Base Period Reset or Rollover
10				Special Event Trigger Output
11				No Output
01	0	0001 through 1111	Output Compare modes	Time Base Period Reset or Rollover
10				Output Compare Event Signal
11				Output Compare Signal
01	1	xxxx	Input Capture modes	Time Base Period Reset or Rollover
10				Reflects the Value of the ICDIS bit
11				Input Capture Event Signal

PIC24FJ256GA412/GB412 FAMILY

REGISTER 14-1: CCPxCON1L: CCPx CONTROL 1 LOW REGISTERS

R/W-0	U-0	R/W-0	r-0	R/W-0	R/W-0	R/W-0	R/W-0
CCPON	—	CCPSIDL	—	TMRSYNC	CLKSEL2	CLKSEL1	CLKSEL0
bit 15						bit 8	

R/W-0	R/W-0	R/W-0	R/W-0	R/W-0	R/W-0	R/W-0	R/W-0
TMRPS1	TMRPS0	T32	CCSEL	MOD3	MOD2	MOD1	MOD0
bit 7						bit 0	

Legend:	r = Reserved bit		
R = Readable bit	W = Writable bit	U = Unimplemented bit, read as '0'	
-n = Value at POR	'1' = Bit is set	'0' = Bit is cleared	x = Bit is unknown

- bit 15 **CCPON:** CCPx Module Enable bit
 1 = Module is enabled with an operating mode specified by the MOD[3:0] control bits
 0 = Module is disabled
- bit 14 **Unimplemented:** Read as '0'
- bit 13 **CCPSIDL:** CCPx Stop in Idle Mode Bit
 1 = Discontinues module operation when device enters Idle mode
 0 = Continues module operation in Idle mode
- bit 12 **Reserved:** Maintain as '0'
- bit 11 **TMRSYNC:** Time Base Clock Synchronization bit
 1 = Asynchronous module time base clock is selected and synchronized to the internal system clocks (CLKSEL[2:0] ≠ 000)
 0 = Synchronous module time base clock is selected and does not require synchronization (CLKSEL[2:0] = 000)
- bit 10-8 **CLKSEL[2:0]:** CCPx Time Base Clock Select bits
 111 = External TCKIB input
 110 = External TCKIA input
 101 = CLC1
 100 = 2 * System Clock
 011 = CLCx output, as determined by the MCCPx or SCCPx module (see [Table 14-5](#))
 010 = Secondary Oscillator (SOSC)
 001 = Reference clock (REFO)
 000 = System clock (TCY)
- bit 7-6 **TMRPS[1:0]:** Time Base Prescale Select bits
 11 = 1:64 Prescaler
 10 = 1:16 Prescaler
 01 = 1:4 Prescaler
 00 = 1:1 Prescaler
- bit 5 **T32:** 32-Bit Time Base Select bit
 1 = Uses 32-bit time base for timer, single edge output compare or input capture function
 0 = Uses 16-bit time base for timer, single edge output compare or input capture function
- bit 4 **CCSEL:** Capture/Compare Mode Select bit
 1 = Input Capture peripheral
 0 = Output Compare/PWM/Timer peripheral (exact function is selected by the MOD[3:0] bits)

Note 1: Only MCCP supports Center-Aligned PWM mode.

PIC24FJ256GA412/GB412 FAMILY

REGISTER 14-1: CCPxCON1L: CCPx CONTROL 1 LOW REGISTERS (CONTINUED)

bit 3-0 **MOD[3:0]:** CCPx Mode Select bits

For CCSEL = 1 (Input Capture Modes):

- 1xxx = Reserved
- 011x = Reserved
- 0101 = Capture every 16th rising edge
- 0100 = Capture every 4th rising edge
- 0011 = Capture every rising and falling edge
- 0010 = Capture every falling edge
- 0001 = Capture every rising edge
- 0000 = Capture every rising and falling edge (Edge Detect mode)

For CCSEL = 0 (Output Compare/Timer Modes):

- 1111 = External Input mode: Pulse generator is disabled, source is selected by ICS[2:0]
- 1110 = Reserved
- 110x = Reserved
- 10xx = Reserved
- 0111 = Variable Frequency Pulse mode
- 0110 = Center-Aligned Pulse Compare mode, buffered⁽¹⁾
- 0101 = Dual Edge Compare mode, buffered
- 0100 = Dual Edge Compare mode
- 0011 = 16-Bit/32-Bit Single Edge mode, toggles output on compare match
- 0010 = 16-Bit/32-Bit Single Edge mode, drives output low on compare match
- 0001 = 16-Bit/32-Bit Single Edge mode, drives output high on compare match
- 0000 = 16-Bit/32-Bit Timer mode, output functions are disabled

Note 1: Only MCCP supports Center-Aligned PWM mode.

TABLE 14-5: CLC CLOCK SOURCE SELECTION (CLKSEL[2:0] = 011)

MCCPx/SCCPx Module	MCCP1	SCCP2	SCCP3	SCCP4	SCCP5	SCCP6	SCCP7
CLC Module for Clock Source	1	2	3	1	2	3	4

PIC24FJ256GA412/GB412 FAMILY

REGISTER 14-2: CCPxCON1H: CCPx CONTROL 1 HIGH REGISTERS

R/W-0	R/W-0	U-0	U-0	R/W-0	R/W-0	R/W-0	R/W-0
OPSSRC ⁽¹⁾	RTRGEN ⁽²⁾	—	—	OPS3 ⁽³⁾	OPS2 ⁽³⁾	OPS1 ⁽³⁾	OPS0 ⁽³⁾
bit 15				bit 8			

R/W-0	R/W-0	R/W-0	R/W-0	R/W-0	R/W-0	R/W-0	R/W-0
TRIGEN	ONESHOT	ALTSYNC	SYNC4	SYNC3	SYNC2	SYNC1	SYNC0
bit 7				bit 0			

Legend:

R = Readable bit W = Writable bit U = Unimplemented bit, read as '0'
 -n = Value at POR '1' = Bit is set '0' = Bit is cleared x = Bit is unknown

- bit 15 **OPSSRC:** Output Postscaler Source Select bit⁽¹⁾
 1 = Output postscaler scales module trigger output events
 0 = Output postscaler scales time base interrupt events
- bit 14 **RTRGEN:** Retrigger Enable bit⁽²⁾
 1 = Time base can be retriggered when TRIGEN bit = 1
 0 = Time base may not be retriggered when TRIGEN bit = 1
- bit 13-12 **Unimplemented:** Read as '0'
- bit 11-8 **OPS3[3:0]:** CCPx Interrupt Output Postscale Select bits⁽³⁾
 1111 = Interrupt every 16th time base period match
 1110 = Interrupt every 15th time base period match
 ...
 0100 = Interrupt every 5th time base period match
 0011 = Interrupt every 4th time base period match or 4th input capture event
 0010 = Interrupt every 3rd time base period match or 3rd input capture event
 0001 = Interrupt every 2nd time base period match or 2nd input capture event
 0000 = Interrupt after each time base period match or input capture event
- bit 7 **TRIGEN:** CCPx Trigger Enable bit
 1 = Trigger operation of time base is enabled
 0 = Trigger operation of time base is disabled
- bit 6 **ONESHOT:** One-Shot Mode Enable bit
 1 = One-Shot Trigger mode is enabled; trigger duration is set by OSCNT[2:0]
 0 = One-Shot Trigger mode is disabled
- bit 5 **ALTSYNC:** CCPx Clock Select bits
 1 = An alternate signal is used as the module synchronization output signal
 0 = The module synchronization output signal is the Time Base Reset/rollover event
- bit 4-0 **SYNC[4:0]:** CCPx Synchronization Source Select bits
 See [Table 14-6](#) for the definition of inputs.

- Note 1:** This control bit has no function in Input Capture modes.
Note 2: This control bit has no function when TRIGEN = 0.
Note 3: Output postscale settings, from 1:5 to 1:16 ('0100' to '1111'), will result in a FIFO buffer overflow for Input Capture modes.

PIC24FJ256GA412/GB412 FAMILY

TABLE 14-6: SYNCHRONIZATION SOURCES

SYNC[4:0]	Synchronization Source
00000	None; Timer with Rollover on CCPxPRH/L Match or FFFFh
00001	Module's Own Timer Sync Out
00010	MCCP1 Sync Output
00011	SCCP2 Sync Output
00100	SCCP3 Sync Output
00101	SCCP4 Sync Output
00110	SCCP5 Sync Output
00111	SCCP6 Sync Output
01000	SCCP7 Sync Output
01001	INT0
01010	INT1
01011	INT2
01100 to 01111	Unused
10000	CLC1 Output ⁽¹⁾
10001	CLC2 Output ⁽¹⁾
10010	CLC3 Output ⁽¹⁾
10011	CLC4 Output ⁽¹⁾
10100 to 10111	Unused
11000	Comparator 1 Trigger
11001	Comparator 2 Trigger
11010	Comparator 3 Trigger
11011	A/D ⁽¹⁾
11100	CTMU Trigger
11101 and 11110	Unused
11111	None; Timer with Auto-Rollover (FFFFh → 0000h)

Note 1: These sources are only available when the source module is being used in a Synchronous mode.

PIC24FJ256GA412/GB412 FAMILY

REGISTER 14-3: CCPxCON2L: CCPx CONTROL 2 LOW REGISTERS

R/W-0	R/W-0	U-0	R/W-0	U-0	U-0	U-0	U-0
PWMRSEN	ASDGM	—	SSDG	—	—	—	—
bit 15							bit 8

R/W-0	R/W-0	R/W-0	R/W-0	R/W-0	R/W-0	R/W-0	R/W-0
ASDG[7:0]							
bit 7							bit 0

Legend:

R = Readable bit W = Writable bit U = Unimplemented bit, read as '0'
 -n = Value at POR '1' = Bit is set '0' = Bit is cleared x = Bit is unknown

- bit 15 **PWMRSEN:** CCPx PWM Restart Enable bit
 1 = ASEVT bit clears automatically at the beginning of the next PWM period, after the shutdown input has ended
 0 = ASEVT bit must be cleared in software to resume PWM activity on output pins
- bit 14 **ASDGM:** CCPx Auto-Shutdown Gate Mode Enable bit
 1 = Waits until the next Time Base Reset or rollover for shutdown to occur
 0 = Shutdown event occurs immediately
- bit 13 **Unimplemented:** Read as '0'
- bit 12 **SSDG:** CCPx Software Shutdown/Gate Control bit
 1 = Manually forces auto-shutdown, timer clock gate or input capture signal gate event (setting of ASDGM bit still applies)
 0 = Normal module operation
- bit 11-8 **Unimplemented:** Read as '0'
- bit 7-0 **ASDG[7:0]:** CCPx Auto-Shutdown/Gating Source Enable bits
 1 = ASDGx Source n is enabled (see [Table 14-7](#) for auto-shutdown/gating sources)
 0 = ASDGx Source n is disabled

TABLE 14-7: AUTO-SHUTDOWN AND GATING SOURCES

ASDG[x] Bit	Auto-Shutdown/Gating Source						
	MCCP1	SCCP2	SCCP3	SCCP4	SCCP5	SCCP6	SCCP7
0	Comparator 1 Output						
1	Comparator 2 Output						
2	Comparator 3 Output						
3	SCCP4 Output Compare			MCCP1 Output Compare			
4	SCCP5 Output Compare			SCCP2 Output Compare			
5	CLC1 Output	CLC2 Output	CLC3 Output	CLC1 Output	CLC2 Output	CLC3 Output	CLC4 Output
6	OCFA Fault Input						
7	OCFB Fault Input						

PIC24FJ256GA412/GB412 FAMILY

REGISTER 14-4: CCPxCON2H: CCPx CONTROL 2 HIGH REGISTERS

R/W-0	U-0	R/W-0	R/W-0	R/W-0	R/W-0	R/W-0	R/W-0
OENSYNC	—	OCFEN ⁽¹⁾	OCEEN ⁽¹⁾	OCDEN ⁽¹⁾	OCCEN ⁽¹⁾	OCBEN ⁽¹⁾	OCAEN
bit 15							bit 8

R/W-0	R/W-0	U-0	R/W-0	R/W-0	R/W-0	R/W-0	R/W-0
ICGSM1	ICGSM0	—	AUXOUT1	AUXOUT0	ICS2	ICS1	ICS0
bit 7							bit 0

Legend:

R = Readable bit W = Writable bit U = Unimplemented bit, read as '0'
 -n = Value at POR '1' = Bit is set '0' = Bit is cleared x = Bit is unknown

- bit 15 **OENSYNC:** Output Enable Synchronization bit
 1 = Update by output enable bits occurs on the next Time Base Reset or rollover
 0 = Update by output enable bits occurs immediately
- bit 14 **Unimplemented:** Read as '0'
- bit 13-8 **OC[F:A]EN:** Output Enable/Steering Control bits⁽¹⁾
 1 = OCx pin is controlled by the CCPx module and produces an output compare or PWM signal
 0 = OCx pin is not controlled by the CCPx module; the pin is available to the port logic or another peripheral multiplexed on the pin
- bit 7-6 **ICGSM[1:0]:** Input Capture Gating Source Mode Control bits
 11 = Reserved
 10 = One-Shot mode: Falling edge from gating source disables future capture events (ICDIS = 1)
 01 = One-Shot mode: Rising edge from gating source enables future capture events (ICDIS = 0)
 00 = Level-Sensitive mode: A high level from gating source will enable future capture events; a low level will disable future capture events
- bit 5 **Unimplemented:** Read as '0'
- bit 4-3 **AUXOUT[1:0]:** Auxiliary Output Signal on Event Selection bits
 11 = Input capture or output compare event; no signal in Timer mode
 10 = Signal output is defined by module operating mode (see [Table 14-4](#))
 01 = Time base rollover event (all modes)
 00 = Disabled
- bit 2-0 **ICS[2:0]:** Input Capture Source Select bits
 111 = CLC4 output
 110 = CLC3 output
 101 = CLC2 output
 100 = CLC1 output
 011 = Comparator 3 output
 010 = Comparator 2 output
 001 = Comparator 1 output
 000 = MCCP Input Capture x (ICMx) pin

Note 1: OCFEN through OCBEN (bits[13:9]) are implemented in MCCPx modules only.

PIC24FJ256GA412/GB412 FAMILY

REGISTER 14-5: CCPxCON3L: CCPx CONTROL 3 LOW REGISTERS⁽¹⁾

U-0	U-0	U-0	U-0	U-0	U-0	U-0	U-0
—	—	—	—	—	—	—	—
bit 15							bit 8

U-0	U-0	R/W-0	R/W-0	R/W-0	R/W-0	R/W-0	R/W-0
—	—	DT[5:0]					
bit 7						bit 0	

Legend:

R = Readable bit W = Writable bit U = Unimplemented bit, read as '0'
 -n = Value at POR '1' = Bit is set '0' = Bit is cleared x = Bit is unknown

bit 15-6 **Unimplemented:** Read as '0'
 bit 5-0 **DT[5:0]:** CCPx Dead-Time Select bits
 111111 = Inserts 63 dead-time delay periods between complementary output signals
 111110 = Inserts 62 dead-time delay periods between complementary output signals
 ...
 000010 = Inserts 2 dead-time delay periods between complementary output signals
 000001 = Inserts 1 dead-time delay period between complementary output signals
 000000 = Dead-time logic is disabled

Note 1: This register is implemented in MCCPx modules only.

PIC24FJ256GA412/GB412 FAMILY

REGISTER 14-6: CCPxCON3H: CCPx CONTROL 3 HIGH REGISTERS

R/W-0	R/W-0	R/W-0	R/W-0	U-0	R/W-0	R/W-0	R/W-0
OETRIG	OSCNT2	OSCNT1	OSCNT0	—	OUTM2 ⁽¹⁾	OUTM1 ⁽¹⁾	OUTM0 ⁽¹⁾
bit 15							bit 8

U-0	U-0	R/W-0	R/W-0	R/W-0	R/W-0	R/W-0	R/W-0
—	—	POLACE	POLBDF ⁽¹⁾	PSSACE1	PSSACE0	PSSBDF1 ⁽¹⁾	PSSBDF0 ⁽¹⁾
bit 7							bit 0

Legend:

R = Readable bit	W = Writable bit	U = Unimplemented bit, read as '0'
-n = Value at POR	'1' = Bit is set	'0' = Bit is cleared
		x = Bit is unknown

- bit 15 **OETRIG:** CCPx Dead-Time Select bit
 1 = For Triggered mode (TRIGEN = 1): Module does not drive enabled output pins until triggered
 0 = Normal output pin operation
- bit 14-12 **OSCNT[2:0]:** One-Shot Event Count bits
 111 = Extends one-shot event by seven time base periods (eight time base periods total)
 110 = Extends one-shot event by six time base periods (seven time base periods total)
 101 = Extends one-shot event by five time base periods (six time base periods total)
 100 = Extends one-shot event by four time base periods (five time base periods total)
 011 = Extends one-shot event by three time base periods (four time base periods total)
 010 = Extends one-shot event by two time base periods (three time base periods total)
 001 = Extends one-shot event by one time base period (two time base periods total)
 000 = Does not extend one-shot trigger event
- bit 11 **Unimplemented:** Read as '0'
- bit 10-8 **OUTM[2:0]:** PWMx Output Mode Control bits⁽¹⁾
 111 = Reserved
 110 = Output Scan mode
 101 = Brush DC Output mode, forward
 100 = Brush DC Output mode, reverse
 011 = Reserved
 010 = Half-Bridge Output mode
 001 = Push-Pull Output mode
 000 = Steerable Single Output mode
- bit 7-6 **Unimplemented:** Read as '0'
- bit 5 **POLACE:** CCPx Output Pins, OCMx, OCMxA, OCMxC and OCMxE, Polarity Control bit
 1 = Output pin polarity is active-low
 0 = Output pin polarity is active-high
- bit 4 **POLBDF:** CCPx Output Pins, OCxB, OCxD and OCxF, Polarity Control bit⁽¹⁾
 1 = Output pin polarity is active-low
 0 = Output pin polarity is active-high
- bit 3-2 **PSSACE[1:0]:** PWMx Output Pins, OCMx, OCMxA, OCMxC and OCMxE, Shutdown State Control bits
 11 = Pins are driven active when a shutdown event occurs
 10 = Pins are driven inactive when a shutdown event occurs
 0x = Pins are tri-stated when a shutdown event occurs
- bit 1-0 **PSSBDF[1:0]:** PWMx Output Pins, OCxB, OCxD, and OCxF, Shutdown State Control bits⁽¹⁾
 11 = Pins are driven active when a shutdown event occurs
 10 = Pins are driven inactive when a shutdown event occurs
 0x = Pins are in a high-impedance state when a shutdown event occurs

Note 1: These bits are implemented in MCCPx modules only.

PIC24FJ256GA412/GB412 FAMILY

REGISTER 14-7: CCPxSTATL: CCPx STATUS REGISTER

U-0	U-0	U-0	U-0	U-0	U-0	U-0	U-0
—	—	—	—	—	—	—	—
bit 15							bit 8

R-0	W1-0	W1-0	R/C-0	R/C-0	R/C-0	R/C-0	R/C-0
CCPTRIG	TRSET	TRCLR	ASEVT	SCEVT	ICDIS	ICOV	ICBNE
bit 7							bit 0

Legend:	C = Clearable bit		
R = Readable bit	W1 = Write '1' Only bit	U = Unimplemented bit, read as '0'	
-n = Value at POR	'1' = Bit is set	'0' = Bit is cleared	x = Bit is unknown

- bit 15-8 **Unimplemented:** Read as '0'
- bit 7 **CCPTRIG:** CCPx Trigger Status bit
 - 1 = Timer has been triggered and is running
 - 0 = Timer has not been triggered and is held in Reset
- bit 6 **TRSET:** CCPx Trigger Set Request bit
 - Writes '1' to this location to trigger the timer when TRIGEN = 1 (location always reads as '0').
- bit 5 **TRCLR:** CCPx Trigger Clear Request bit
 - Writes '1' to this location to cancel the timer trigger when TRIGEN = 1 (location always reads as '0').
- bit 4 **ASEVT:** CCPx Auto-Shutdown Event Status/Control bit
 - 1 = A shutdown event is in progress; CCPx outputs are in the shutdown state
 - 0 = CCPx outputs operate normally
- bit 3 **SCEVT:** Single Edge Compare Event Status bit
 - 1 = A single edge compare event has occurred
 - 0 = A single edge compare event has not occurred
- bit 2 **ICDIS:** Input Capture x Disable bit
 - 1 = Event on Input Capture x pin (ICx) does not generate a capture event
 - 0 = Event on Input Capture x pin will generate a capture event
- bit 1 **ICOV:** Input Capture x Buffer Overflow Status bit
 - 1 = The Input Capture x FIFO buffer has overflowed
 - 0 = The Input Capture x FIFO buffer has not overflowed
- bit 0 **ICBNE:** Input Capture x Buffer Status bit
 - 1 = Input Capture x buffer has data available
 - 0 = Input Capture x buffer is empty

PIC24FJ256GA412/GB412 FAMILY

REGISTER 14-8: CCPxSTATH: CCPx STATUS REGISTER HIGH

U-0	U-0	U-0	U-0	U-0	U-0	U-0	U-0
—	—	—	—	—	—	—	—
bit 15						bit 8	

U-0	U-0	U-0	R-0	R-0	R-0	R-0	R-0
—	—	—	PRLWIP	TMRHWIP	TMRLWIP	RBWIP	RAWIP
bit 7						bit 0	

Legend:

R = Readable bit W = Writable bit U = Unimplemented bit, read as '0'
 -n = Value at POR '1' = Bit is set '0' = Bit is cleared x = Bit is unknown

- bit 15-5 **Unimplemented:** Read as '0'
- bit 4 **PRLWIP:** CCPxPRL Write in Progress Status bit
 1 = An update to the CCPxPRL register with the buffered contents is in progress
 0 = An update to the CCPxPRL register is not in progress
- bit 3 **TMRHWIP:** CCPxTMRH Write in Progress Status Bit
 1 = An update to the CCPxTMRH register with the buffered contents is in progress
 0 = An update to the CCPxTMRH register is not in progress.
- bit 2 **TMRLWIP:** CCPxTMRL Write in Progress Status bit
 1 = An update to the CCPxTMRL register with the buffered contents is in progress
 0 = An update to the CCPxTMRL register is not in progress
- bit 1 **RBWIP:** CCPxRB Write in Progress Status bit
 1 = An update to the CCPxRB register with the buffered contents is in progress
 0 = An update to the CCPxRB register is not in progress
- bit 0 **RAWIP:** CCPxRA Write in Progress Status bit
 1 = An update to the CCPxRA register with the buffered contents is in progress
 0 = An update to the CCPxRA register is not in progress

PIC24FJ256GA412/GB412 FAMILY

NOTES:

PIC24FJ256GA412/GB412 FAMILY

15.0 INPUT CAPTURE WITH DEDICATED TIMERS

Note: This data sheet summarizes the features of this group of PIC24F devices. It is not intended to be a comprehensive reference source. For more information, refer to the “dsPIC33/PIC24 Family Reference Manual”, “Input Capture with Dedicated Timer” (www.microchip.com/DS70000352). The information in this data sheet supersedes the information in the FRM.

Devices in the PIC24FJ256GA412/GB412 family contain six independent input capture modules. Each of the modules offers a wide range of configuration and operating options for capturing external pulse events and generating interrupts.

Key features of the input capture module include:

- Hardware-Configurable for 32-Bit Operation in All Modes by Cascading Two Adjacent Modules
- Synchronous and Trigger modes of Output compare Operation, with up to 30 User-Selectable Sync/Trigger Sources Available
- A 4-Level FIFO Buffer for Capturing and Holding Timer Values for Several Events
- Configurable Interrupt Generation
- Up to Six Clock Sources Available for Each Module, Driving a Separate Internal 16-Bit Counter

The module is controlled through two registers: ICxCON1 (Register 15-1) and ICxCON2 (Register 15-2). A general block diagram of the module is shown in Figure 15-1.

15.1 General Operating Modes

15.1.1 SYNCHRONOUS AND TRIGGER MODES

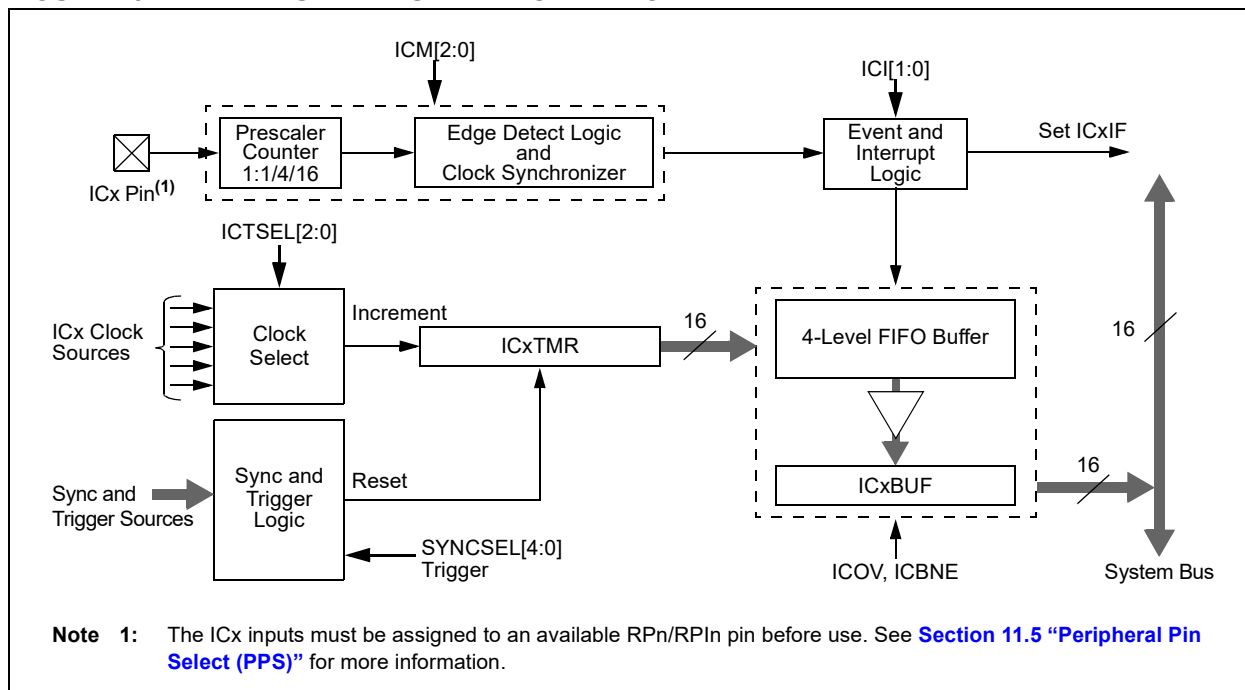
When the input capture module operates in a Free-Running mode, the internal 16-bit counter, ICxTMR, counts up continuously, wrapping around from FFFFh to 0000h on each overflow. Its period is synchronized to the selected external clock source. When a capture event occurs, the current 16-bit value of the internal counter is written to the FIFO buffer.

In Synchronous mode, the module begins capturing events on the ICx pin as soon as its selected clock source is enabled. Whenever an event occurs on the selected sync source, the internal counter is reset. In Trigger mode, the module waits for a sync event from another internal module to occur before allowing the internal counter to run.

Standard, free-running operation is selected by setting the SYNCSEL[4:0] bits (ICxCON2[4:0]) to ‘00000’ and clearing the ICTRIG bit (ICxCON2[7]). Synchronous and Trigger modes are selected any time the SYNCSELx bits are set to any value except ‘00000’. The ICTRIG bit selects either Synchronous or Trigger mode; setting the bit selects Trigger mode operation. In both modes, the SYNCSELx bits determine the sync/trigger source.

When the SYNCSELx bits are set to ‘00000’ and ICTRIG is set, the module operates in Software Trigger mode. In this case, capture operations are started by manually setting the TRIGSTAT bit (ICxCON2[6]).

FIGURE 15-1: INPUT CAPTURE x BLOCK DIAGRAM



PIC24FJ256GA412/GB412 FAMILY

15.1.2 CASCADED (32-BIT) MODE

By default, each module operates independently with its own 16-bit timer. To increase resolution, adjacent even and odd modules can be configured to function as a single 32-bit module. (For example, Modules 1 and 2 are paired, as are Modules 3 and 4, and so on.) The odd numbered module, Input Capture x (ICx), provides the Least Significant 16 bits of the 32-bit register pairs and the even numbered module, Input Capture y (ICy), provides the Most Significant 16 bits. Wrap arounds of the ICx registers cause an increment of their corresponding ICy registers.

Cascaded operation is configured in hardware by setting the IC32 bits (ICxCON2[8]) for both modules.

15.2 Capture Operations

The input capture module can be configured to capture timer values and generate interrupts on rising edges on ICx or all transitions on ICx. Captures can be configured to occur on all rising edges or just some (every 4th or 16th). Interrupts can be independently configured to generate on each event or a subset of events.

To set up the module for capture operations:

1. Configure the ICx input for one of the available Peripheral Pin Select pins.
2. If Synchronous mode is to be used, disable the sync source before proceeding.
3. Make sure that any previous data have been removed from the FIFO by reading ICxBUF until the ICBNE bit (ICxCON1[3]) is cleared.
4. Set the SYNCSELx bits (ICxCON2[4:0]) to the desired sync/trigger source.
5. Set the ICTSELx bits (ICxCON1[12:10]) for the desired clock source.
6. Set the ICIX bits (ICxCON1[6:5]) to the desired interrupt frequency
7. Select Synchronous or Trigger mode operation:
 - a) Check that the SYNCSELx bits are not set to '00000'.
 - b) For Synchronous mode, clear the ICTRIG bit (ICxCON2[7]).
 - c) For Trigger mode, set ICTRIG and clear the TRIGSTAT bit (ICxCON2[6]).
8. Set the ICMx bits (ICxCON1[2:0]) to the desired operational mode.
9. Enable the selected sync/trigger source.

For 32-bit cascaded operations, the setup procedure is slightly different:

1. Set the IC32 bits for both modules (ICyCON2[8] and (ICxCON2[8]), enabling the even numbered module first. This ensures that the modules will start functioning in unison.
2. Set the ICTSELx and SYNCSELx bits for both modules to select the same sync/trigger and time base source. Set the even module first, then the odd module. Both modules must use the same ICTSELx and SYNCSELx bit settings.
3. Clear the ICTRIG bit of the even module (ICyCON2[7]). This forces the module to run in Synchronous mode with the odd module, regardless of its trigger setting.
4. Use the odd module's ICIX bits (ICxCON1[6:5]) to set the desired interrupt frequency.
5. Use the ICTRIG bit of the odd module (ICxCON2[7]) to configure Trigger or Synchronous mode operation.

Note: For Synchronous mode operation, enable the sync source as the last step. Both input capture modules are held in Reset until the sync source is enabled.

6. Use the ICMx bits of the odd module (ICxCON1[2:0]) to set the desired Capture mode.

The module is ready to capture events when the time base and the sync/trigger source are enabled. When the ICBNE bit (ICxCON1[3]) becomes set, at least one capture value is available in the FIFO. Read input capture values from the FIFO until the ICBNE clears to '0'.

For 32-bit operation, read both the ICxBUF and ICyBUF for the full 32-bit timer value (ICxBUF for the lsw, ICyBUF for the msw). At least one capture value is available in the FIFO buffer when the odd module's ICBNE bit (ICxCON1[3]) becomes set. Continue to read the buffer registers until ICBNE is cleared (performed automatically by hardware).

PIC24FJ256GA412/GB412 FAMILY

REGISTER 15-1: ICxCON1: INPUT CAPTURE x CONTROL REGISTER 1

U-0	U-0	R/W-0	R/W-0	R/W-0	R/W-0	U-0	U-0
—	—	ICSIDL	ICTSEL2	ICTSEL1	ICTSEL0	—	—
bit 15						bit 8	

U-0	R/W-0	R/W-0	HSC/R-0	HSC/R-0	R/W-0	R/W-0	R/W-0
—	ICI1	ICI0	ICOV	ICBNE	ICM2 ⁽¹⁾	ICM1 ⁽¹⁾	ICM0 ⁽¹⁾
bit 7						bit 0	

Legend:	HSC = Hardware Settable/Clearable bit		
R = Readable bit	W = Writable bit	U = Unimplemented bit, read as '0'	
-n = Value at POR	'1' = Bit is set	'0' = Bit is cleared	x = Bit is unknown

- bit 15-14 **Unimplemented:** Read as '0'
- bit 13 **ICSIDL:** Input Capture x Module Stop in Idle Control bit
 - 1 = Input capture module halts in CPU Idle mode
 - 0 = Input capture module continues to operate in CPU Idle mode
- bit 12-10 **ICTSEL[2:0]:** Input Capture x Timer Select bits
 - 111 = System clock (FOSC/2)
 - 110 = Reserved
 - 101 = Reserved
 - 100 = Timer1
 - 011 = Timer5
 - 010 = Timer4
 - 001 = Timer2
 - 000 = Timer3
- bit 9-7 **Unimplemented:** Read as '0'
- bit 6-5 **ICI[1:0]:** Select Number of Captures per Interrupt bits
 - 11 = Interrupt on every fourth capture event
 - 10 = Interrupt on every third capture event
 - 01 = Interrupt on every second capture event
 - 00 = Interrupt on every capture event
- bit 4 **ICOV:** Input Capture x Overflow Status Flag bit (read-only)
 - 1 = Input capture overflow has occurred
 - 0 = No input capture overflow has occurred
- bit 3 **ICBNE:** Input Capture x Buffer Empty Status bit (read-only)
 - 1 = Input capture buffer is not empty, at least one more capture value can be read
 - 0 = Input capture buffer is empty
- bit 2-0 **ICM[2:0]:** Input Capture x Mode Select bits⁽¹⁾
 - 111 = Interrupt mode: Input capture functions as an interrupt pin only when the device is in Sleep or Idle mode (rising edge detect only, all other control bits are not applicable)
 - 110 = Unused (module is disabled)
 - 101 = Prescaler Capture mode: Capture on every 16th rising edge
 - 100 = Prescaler Capture mode: Capture on every 4th rising edge
 - 011 = Simple Capture mode: Capture on every rising edge
 - 010 = Simple Capture mode: Capture on every falling edge
 - 001 = Edge Detect Capture mode: Capture on every edge (rising and falling); ICI[1:0] bits do not control interrupt generation for this mode
 - 000 = Input capture module is turned off

Note 1: The ICx input must also be configured to an available RPN/RPI pin. For more information, see [Section 11.5 “Peripheral Pin Select \(PPS\)”](#).

PIC24FJ256GA412/GB412 FAMILY

REGISTER 15-2: ICxCON2: INPUT CAPTURE x CONTROL REGISTER 2

U-0	U-0	U-0	U-0	U-0	U-0	U-0	R/W-0
—	—	—	—	—	—	—	IC32
bit 15							bit 8

R/W-0	HS/R/W-0	U-0	R/W-0	R/W-0	R/W-0	R/W-0	R/W-0
ICTRIG	TRIGSTAT	—	SYNCSEL4	SYNCSEL3	SYNCSEL2	SYNCSEL1	SYNCSEL0
bit 7							bit 0

Legend:	HS = Hardware Settable bit		
R = Readable bit	W = Writable bit	U = Unimplemented bit, read as '0'	
-n = Value at POR	'1' = Bit is set	'0' = Bit is cleared	x = Bit is unknown

- bit 15-9 **Unimplemented:** Read as '0'
- bit 8 **IC32:** Cascade Two IC Modules Enable bit (32-bit operation)
 - 1 = ICx and ICy operate in cascade as a 32-bit module (this bit must be set in both modules)
 - 0 = ICx functions independently as a 16-bit module
- bit 7 **ICTRIG:** ICx Sync/Trigger Select bit
 - 1 = Triggers ICx from the source designated by the SYNCSELx bits
 - 0 = Synchronizes ICx with the source designated by the SYNCSELx bits
- bit 6 **TRIGSTAT:** Timer Trigger Status bit
 - 1 = Timer source has been triggered and is running (set in hardware, can be set in software)
 - 0 = Timer source has not been triggered and is being held clear
- bit 5 **Unimplemented:** Read as '0'

- Note 1:** Use these inputs as trigger sources only and never as sync sources.
- Note 2:** Never use an ICx module as its own trigger source by selecting this mode.

PIC24FJ256GA412/GB412 FAMILY

REGISTER 15-2: ICxCON2: INPUT CAPTURE x CONTROL REGISTER 2 (CONTINUED)

bit 4-0 **SYNCSEL[4:0]:** Synchronization/Trigger Source Selection bits

1111x = Reserved
11101 = Reserved
11100 = CTMU⁽¹⁾
11011 = A/D⁽¹⁾
11010 = Comparator 3⁽¹⁾
11001 = Comparator 2⁽¹⁾
11000 = Comparator 1⁽¹⁾
10111 = SCCP5 capture/compare
10110 = SCCP4 capture/compare
10101 = SCCP3 capture/compare
10100 = SCCP2 capture/compare
10011 = MCCP1 capture/compare
10010 = Input Capture 3⁽²⁾
10001 = Input Capture 2⁽²⁾
10000 = Input Capture 1⁽²⁾
01111 = SCCP7 capture/compare
01110 = SCCP6 capture/compare
01101 = Timer3
01100 = Timer2
01011 = Timer1
01010 = SCCP7 sync/trigger
01001 = SCCP6 sync/trigger
01000 = SCCP5 sync/trigger
00111 = SCCP4 sync/trigger
00110 = SCCP3 sync/trigger
00101 = SCCP2 sync/trigger
00100 = MCCP1 sync/trigger
00011 = Output Compare 3
00010 = Output Compare 2
00001 = Output Compare 1
00000 = Not synchronized to any other module

Note 1: Use these inputs as trigger sources only and never as sync sources.

Note 2: Never use an ICx module as its own trigger source by selecting this mode.

PIC24FJ256GA412/GB412 FAMILY

NOTES:

PIC24FJ256GA412/GB412 FAMILY

16.0 OUTPUT COMPARE WITH DEDICATED TIMERS

Note: This data sheet summarizes the features of this group of PIC24F devices. It is not intended to be a comprehensive reference source. For more information, refer to the “*dsPIC33/PIC24 Family Reference Manual*”, “**Output Compare with Dedicated Timer**” (www.microchip.com/DS70005159). The information in this data sheet supersedes the information in the FRM.

Devices in the PIC24FJ256GA412/GB412 family all feature six independent output compare modules. Each of these modules offers a wide range of configuration and operating options for generating pulse trains on internal device events, and can produce Pulse-Width Modulated (PWM) waveforms for driving power applications.

Key features of the output compare module include:

- Hardware-Configurable for 32-Bit Operation in All Modes by Cascading Two Adjacent Modules
- Synchronous and Trigger Modes of Output Compare Operation, with up to 31 User-Selectable Trigger/Sync Sources Available
- Two Separate Period Registers (a main register, OCxR, and a secondary register, OCxRS) for Greater Flexibility in Generating Pulses of Varying Widths
- Configurable for Single Pulse or Continuous Pulse Generation on an Output Event, or Continuous PWM Waveform Generation
- Up to Six Clock Sources Available for Each Module, Driving a Separate Internal 16-Bit Counter

16.1 General Operating Modes

16.1.1 SYNCHRONOUS AND TRIGGER MODES

When the output compare module operates in a Free-Running mode, the internal 16-bit counter, OCxTMR, runs counts up continuously, wrapping around from 0xFFFF to 0x0000 on each overflow. Its period is synchronized to the selected external clock source. Compare or PWM events are generated each time a match between the internal counter and one of the Period registers occurs.

In Synchronous mode, the module begins performing its compare or PWM operation as soon as its selected clock source is enabled. Whenever an event occurs on the selected sync source, the module's internal counter is reset. In Trigger mode, the module waits for a sync event from another internal module to occur before allowing the counter to run.

Free-Running mode is selected by default or any time that the SYNCSEL[4:0] bits (OCxCON2[4:0]) are set to '00000'. Synchronous or Trigger modes are selected any time the SYNCSELx bits are set to any value except '00000'. The OCTRIG bit (OCxCON2[7]) selects either Synchronous or Trigger mode; setting the bit selects Trigger mode operation. In both modes, the SYNCSELx bits determine the sync/trigger source.

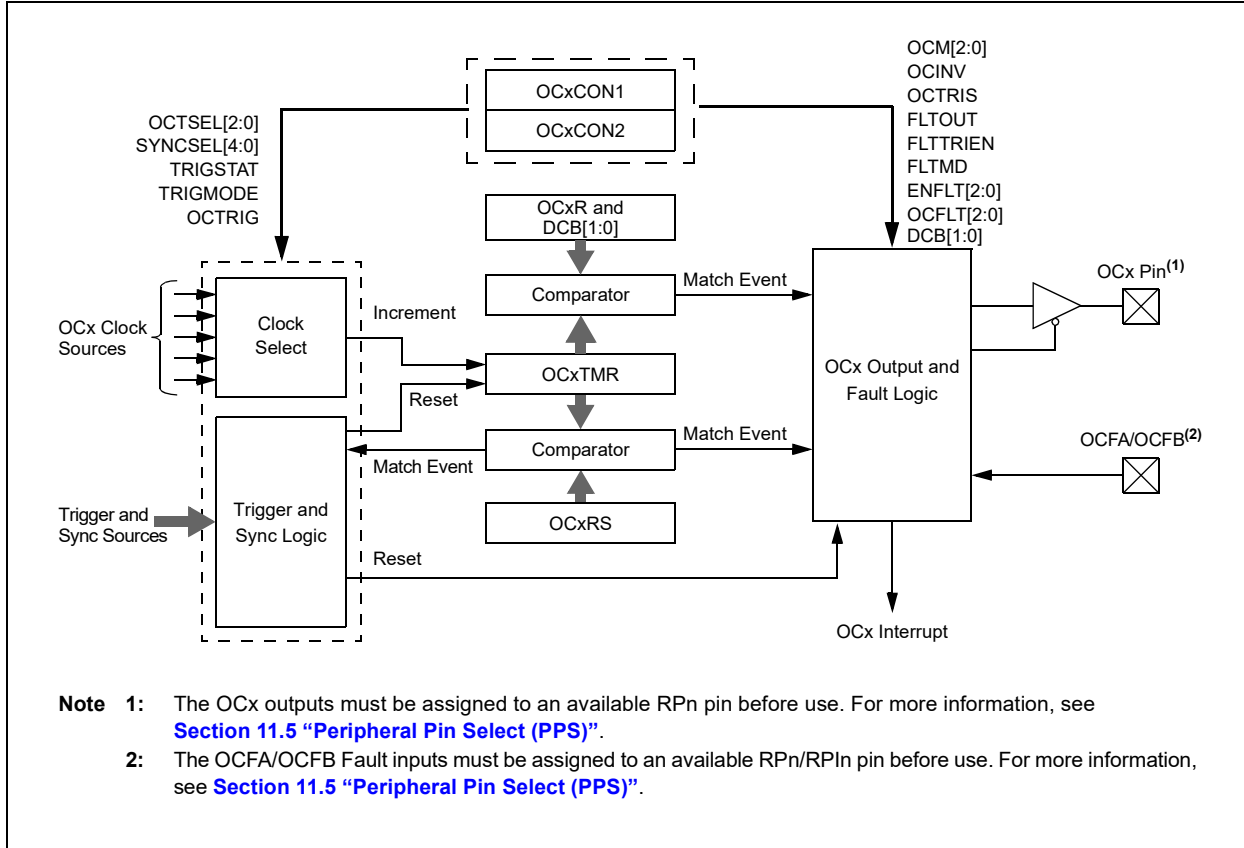
16.1.2 CASCADED (32-BIT) MODE

By default, each module operates independently with its own set of 16-bit Timer and Duty Cycle registers. To increase resolution, adjacent even and odd modules can be configured to function as a single 32-bit module. (For example, Modules 1 and 2 are paired, as are Modules 3 and 4, and so on.) The odd numbered module, Output Compare x (OCx), provides the Least Significant 16 bits of the 32-bit register pairs and the even numbered module, Output Compare y (OCy), provides the Most Significant 16 bits. Wrap arounds of the OCx registers cause an increment of their corresponding OCy registers.

Cascaded operation is configured in hardware by setting the OC32 bit (OCxCON2[8]) for both modules. For more information on cascading, refer to the “*dsPIC33/PIC24 Family Reference Manual*”, “**Output Compare with Dedicated Timer**” (www.microchip.com/DS70005159).

PIC24FJ256GA412/GB412 FAMILY

FIGURE 16-1: OUTPUT COMPARE x BLOCK DIAGRAM (16-BIT MODE)



16.2 Compare Operations

In Compare mode (Figure 16-1), the output compare module can be configured for single-shot or continuous pulse generation. It can also repeatedly toggle an output pin on each timer event.

To set up the module for compare operations:

1. Configure the OCx output for one of the available Peripheral Pin Select pins.
2. Calculate the required values for the OCxR and (for Double Compare modes) OCxRS Duty Cycle registers:
 - a) Determine the instruction clock cycle time. Take into account the frequency of the external clock to the timer source (if one is used) and the timer prescaler settings.
 - b) Calculate the time to the rising edge of the output pulse relative to the timer start value (0000h).
 - c) Calculate the time to the falling edge of the pulse based on the desired pulse width and the time to the rising edge of the pulse.
3. Write the rising edge value to OCxR and the falling edge value to OCxRS.
4. Set the Timer Period register, PRy, to a value equal to or greater than the value in OCxRS.
5. Set the OCM[2:0] bits for the appropriate compare operation ('0xx').
6. For Trigger mode operations, set OCTRIG to enable Trigger mode. Set or clear TRIGMODE to configure trigger operation and TRIGSTAT to select a hardware or software trigger. For Synchronous mode, clear OCTRIG.
7. Set the SYNCSEL[4:0] bits to configure the trigger or synchronization source. If free-running timer operation is required, set the SYNCSELx bits to '00000' (no sync/trigger source).
8. Select the time base source with the OCTSEL[2:0] bits. If necessary, set the TON bits for the selected timer, which enables the compare time base to count. Synchronous mode operation starts as soon as the time base is enabled; Trigger mode operation starts after a trigger source event occurs.

PIC24FJ256GA412/GB412 FAMILY

For 32-bit cascaded operation, these steps are also necessary:

1. Set the OC32 bits for both registers (OCyCON2[8]) and (OCxCON2[8]). Enable the even numbered module first to ensure the modules will start functioning in unison.
2. Clear the OCTRIG bit of the even module (OCyCON2[7]), so the module will run in Synchronous mode.
3. Configure the desired output and Fault settings for OCy.
4. Force the output pin for OCx to the output state by clearing the OCTRIS bit.
5. If Trigger mode operation is required, configure the trigger options in OCx by using the OCTRIG (OCxCON2[7]), TRIGMODE (OCxCON1[3]) and SYNCSELx (OCxCON2[4:0]) bits.
6. Configure the desired Compare or PWM mode of operation (OCM[2:0]) for OCy first, then for OCx.

Depending on the output mode selected, the module holds the OCx pin in its default state and forces a transition to the opposite state when OCxR matches the timer. In Double Compare modes, OCx is forced back to its default state when a match with OCxRS occurs. The OCxIF interrupt flag is set after an OCxR match in Single Compare modes and after each OCxRS match in Double Compare modes.

Single-shot pulse events only occur once, but may be repeated by simply rewriting the value of the OCxCON1 register. Continuous pulse events continue indefinitely until terminated.

16.3 Pulse-Width Modulation (PWM) Mode

In PWM mode, the output compare module can be configured for edge-aligned or center-aligned pulse waveform generation. All PWM operations are double-buffered (buffer registers are internal to the module and are not mapped into SFR space).

To configure the output compare module for PWM operation:

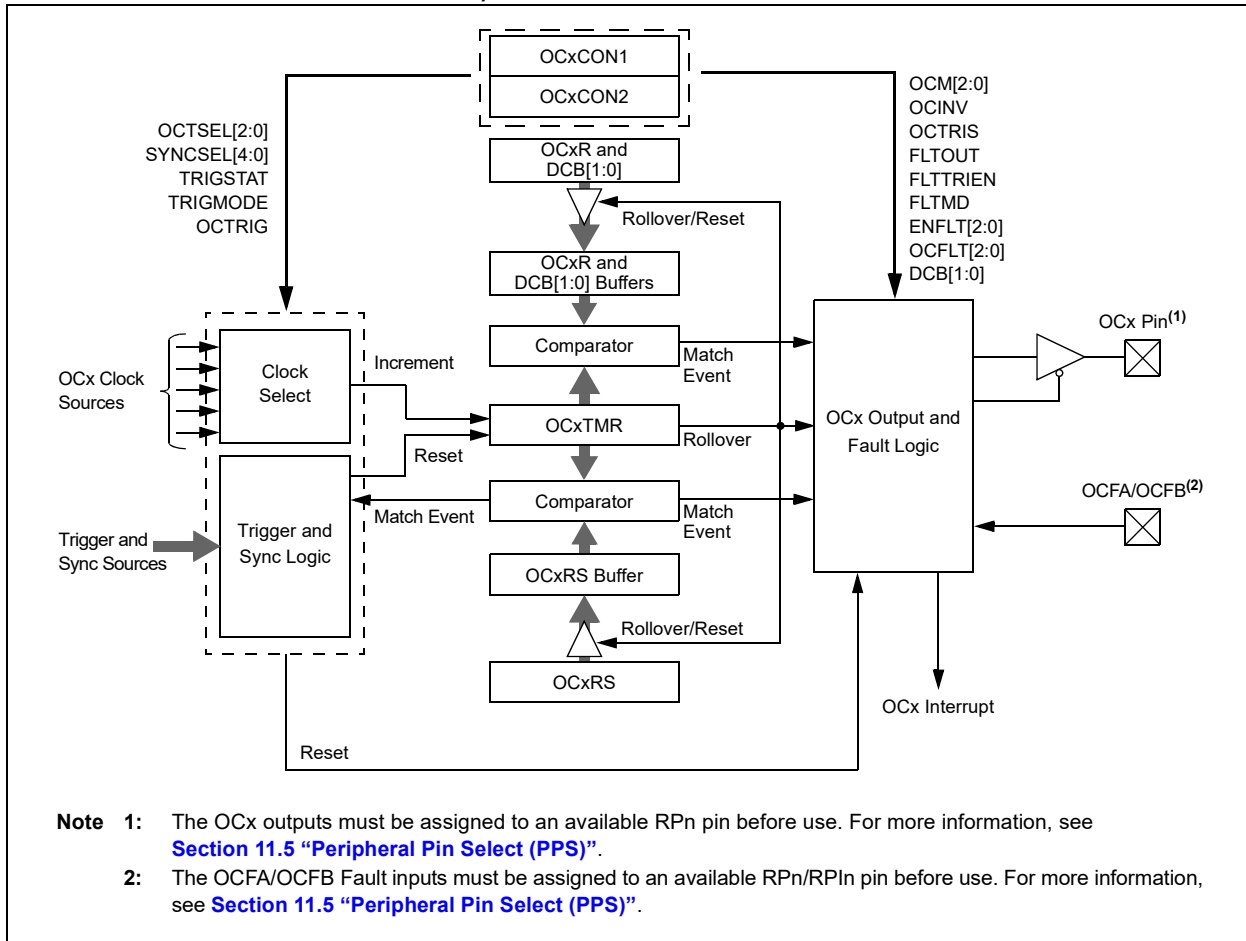
1. Configure the OCx output for one of the available Peripheral Pin Select pins.
2. Calculate the desired duty cycles and load them into the OCxR register.
3. Calculate the desired period and load it into the OCxRS register.
4. Select the current OCx as the synchronization source by writing '0x1F' to the SYNCSEL[4:0] bits (OCxCON2[4:0]) and '0' to the OCTRIG bit (OCxCON2[7]).
5. Select a clock source by writing to the OCTSEL[2:0] bits (OCxCON1[12:10]).
6. Enable interrupts, if required, for the timer and output compare modules. The output compare interrupt is required for PWM Fault pin utilization.
7. Select the desired PWM mode in the OCM[2:0] bits (OCxCON1[2:0]).
8. Appropriate Fault inputs may be enabled by using the ENFLT[2:0] bits as described in [Register 16-1](#).
9. If a timer is selected as a clock source, set the selected timer prescale value. The selected timer's prescaler output is used as the clock input for the OCx timer and not the selected timer output.

Note: This peripheral contains input and output functions that may need to be configured by the Peripheral Pin Select. For more information, see [Section 11.5 "Peripheral Pin Select \(PPS\)"](#).

Note: Make sure the I/O ports are in Digital mode and the TRISx bits are configured for Output mode for the peripheral pin selected.

PIC24FJ256GA412/GB412 FAMILY

FIGURE 16-2: OUTPUT COMPARE x BLOCK DIAGRAM (DOUBLE-BUFFERED, 16-BIT PWM MODE)



16.3.1 PWM PERIOD

The PWM period is specified by writing to PRy, the Timery Period register. The PWM period can be calculated using [Equation 16-1](#).

EQUATION 16-1: CALCULATING THE PWM PERIOD⁽¹⁾

$$\text{PWM Period} = [(PRy) + 1] \cdot Tcy \cdot (\text{Timer Prescale Value})$$

where: PWM Frequency = 1/[PWM Period]

Note 1: Based on $Tcy = TOSC \cdot 2$; Doze mode and PLL are disabled.

Note: A PRy value of N will produce a PWM period of N + 1 time base count cycles. For example, a value of seven written into the PRy register, will yield a period consisting of eight time base cycles.

PIC24FJ256GA412/GB412 FAMILY

16.3.2 PWM DUTY CYCLE

The PWM duty cycle is specified by writing to the OCxRS and OCxR registers. The OCxRS and OCxR registers can be written to at any time, but the duty cycle value is not latched until a match between PRy and TMRy occurs (i.e., the period is complete). This provides a double buffer for the PWM duty cycle and is essential for glitchless PWM operation.

Some important boundary parameters of the PWM duty cycle include:

- If OCxR, OCxRS and PRy are all loaded with 0000h, the OCx pin will remain low (0% duty cycle).
- If OCxRS is greater than PRy, the pin will remain high (100% duty cycle).

See [Example 16-1](#) for PWM mode timing details. [Table 16-1](#) and [Table 16-2](#) show example PWM frequencies and resolutions for a device operating at 4 MIPS and 10 MIPS, respectively.

EQUATION 16-2: CALCULATION FOR MAXIMUM PWM RESOLUTION⁽¹⁾

$$\text{Maximum PWM Resolution (bits)} = \frac{\log_{10} \left(\frac{FCY}{FPWM \cdot (\text{Timer Prescale Value})} \right)}{\log_{10}(2)} \text{ bits}$$

Note 1: Based on FCY = FOSC/2; Doze mode and PLL are disabled.

EXAMPLE 16-1: PWM PERIOD AND DUTY CYCLE CALCULATIONS⁽¹⁾

1. Find the Timer Period register value for a desired PWM frequency of 52.08 kHz, where FOSC = 8 MHz with PLL (32 MHz device clock rate) and a Timer2 prescaler setting of 1:1.

$$T_{CY} = 2 \cdot T_{OSC} = 62.5 \text{ ns}$$

$$\text{PWM Period} = 1/\text{PWM Frequency} = 1/52.08 \text{ kHz} = 19.2 \text{ } \mu\text{s}$$

$$\text{PWM Period} = (\text{PR2} + 1) \cdot T_{CY} \cdot (\text{Timer2 Prescale Value})$$

$$19.2 \text{ } \mu\text{s} = (\text{PR2} + 1) \cdot 62.5 \text{ ns} \cdot 1$$

$$\text{PR2} = 306$$

2. Find the maximum resolution of the duty cycle that can be used with a 52.08 kHz frequency and a 32 MHz device clock rate:

$$\text{PWM Resolution} = \log_{10}(FCY/FPWM)/\log_{10}(2) \text{ bits}$$

$$= (\log_{10}(16 \text{ MHz}/52.08 \text{ kHz})/\log_{10}(2)) \text{ bits}$$

$$= 8.3 \text{ bits}$$

Note 1: Based on TCY = 2 * TOSC; Doze mode and PLL are disabled.

TABLE 16-1: EXAMPLE PWM FREQUENCIES AND RESOLUTIONS AT 4 MIPS (FCY = 4 MHz)⁽¹⁾

PWM Frequency	7.6 Hz	61 Hz	122 Hz	977 Hz	3.9 kHz	31.3 kHz	125 kHz
Timer Prescaler Ratio	8	1	1	1	1	1	1
Period Register Value	FFFFh	FFFFh	7FFFh	0FFFh	03FFh	007Fh	001Fh
Resolution (bits)	16	16	15	12	10	7	5

Note 1: Based on FCY = FOSC/2; Doze mode and PLL are disabled.

TABLE 16-2: EXAMPLE PWM FREQUENCIES AND RESOLUTIONS AT 16 MIPS (FCY = 16 MHz)⁽¹⁾

PWM Frequency	30.5 Hz	244 Hz	488 Hz	3.9 kHz	15.6 kHz	125 kHz	500 kHz
Timer Prescaler Ratio	8	1	1	1	1	1	1
Period Register Value	FFFFh	FFFFh	7FFFh	0FFFh	03FFh	007Fh	001Fh
Resolution (bits)	16	16	15	12	10	7	5

Note 1: Based on FCY = FOSC/2; Doze mode and PLL are disabled.

PIC24FJ256GA412/GB412 FAMILY

REGISTER 16-1: OCxCON1: OUTPUT COMPARE x CONTROL REGISTER 1

U-0	U-0	R/W-0	R/W-0	R/W-0	R/W-0	R/W-0	R/W-0
—	—	OCSIDL	OCTSEL2	OCTSEL1	OCTSEL0	ENFLT2 ⁽²⁾	ENFLT1 ⁽²⁾
bit 15						bit 8	

R/W-0	HSC/R/W-0	HSC/R/W-0	HSC/R/W-0	R/W-0	R/W-0	R/W-0	R/W-0
ENFLT0 ⁽²⁾	OCFLT2 ^(2,3)	OCFLT1 ^(2,4)	OCFLT0 ^(2,4)	TRIGMODE	OCM2 ⁽¹⁾	OCM1 ⁽¹⁾	OCM0 ⁽¹⁾
bit 7						bit 0	

Legend:	HSC = Hardware Settable/Clearable bit		
R = Readable bit	W = Writable bit	U = Unimplemented bit, read as '0'	
-n = Value at POR	'1' = Bit is set	'0' = Bit is cleared	x = Bit is unknown

- bit 15-14 **Unimplemented:** Read as '0'
- bit 13 **OCSIDL:** Output Compare x Stop in Idle Mode Control bit
 1 = Output Compare x halts in CPU Idle mode
 0 = Output Compare x continues to operate in CPU Idle mode
- bit 12-10 **OCTSEL[2:0]:** Output Compare x Timer Select bits
 111 = Peripheral clock (FCY)
 110 = Reserved
 101 = Reserved
 100 = Timer1 clock (only synchronous clock is supported)
 011 = Timer5 clock
 010 = Timer4 clock
 001 = Timer3 clock
 000 = Timer2 clock
- bit 9 **ENFLT2:** Fault Input 2 Enable bit⁽²⁾
 1 = Fault 2 (Comparator 1/2/3 out) is enabled⁽³⁾
 0 = Fault 2 is disabled
- bit 8 **ENFLT1:** Fault Input 1 Enable bit⁽²⁾
 1 = Fault 1 (OCFB pin) is enabled⁽⁴⁾
 0 = Fault 1 is disabled
- bit 7 **ENFLT0:** Fault Input 0 Enable bit⁽²⁾
 1 = Fault 0 (OCFA pin) is enabled⁽⁴⁾
 0 = Fault 0 is disabled
- bit 6 **OCFLT2:** PWM Fault 2 (Comparator 1/2/3) Condition Status bit^(2,3)
 1 = PWM Fault 2 has occurred
 0 = No PWM Fault 2 has occurred
- bit 5 **OCFLT1:** PWM Fault 1 (OCFB pin) Condition Status bit^(2,4)
 1 = PWM Fault 1 has occurred
 0 = No PWM Fault 1 has occurred

- Note 1:** The OCx output must also be configured to an available RPn pin. For more information, see [Section 11.5 “Peripheral Pin Select \(PPS\)”](#).
- 2:** The Fault input enable and Fault status bits are valid when OCM[2:0] = 111 or 110.
- 3:** The Comparator 1 output controls the OC1-OC2 channels; Comparator 2 output controls the OC3-OC4 channels; Comparator 3 output controls the OC5-OC6 channels.
- 4:** The OCFA/OCFB Fault input must also be configured to an available RPn/RPIn pin. For more information, see [Section 11.5 “Peripheral Pin Select \(PPS\)”](#).

PIC24FJ256GA412/GB412 FAMILY

REGISTER 16-1: OCxCON1: OUTPUT COMPARE x CONTROL REGISTER 1 (CONTINUED)

- bit 4 **OCFLT0**: PWM Fault 0 (OCFA pin) Condition Status bit^(2,4)
1 = PWM Fault 0 has occurred
0 = No PWM Fault 0 has occurred
- bit 3 **TRIGMODE**: Trigger Status Mode Select bit
1 = TRIGSTAT (OCxCON2[6]) is cleared when OCxRS = OCxTMR or in software
0 = TRIGSTAT is only cleared by software
- bit 2-0 **OCM[2:0]**: Output Compare x Mode Select bits⁽¹⁾
111 = Center-Aligned PWM mode on OCx⁽²⁾
110 = Edge-Aligned PWM mode on OCx⁽²⁾
101 = Double Compare Continuous Pulse mode: Initializes the OCx pin low; toggles the OCx state continuously on alternate matches of OCxR and OCxRS
100 = Double Compare Single-Shot mode: Initializes the OCx pin low; toggles the OCx state on matches of OCxR and OCxRS for one cycle
011 = Single Compare Continuous Pulse mode: Compare events continuously toggle the OCx pin
010 = Single Compare Single-Shot mode: Initializes OCx pin high; compare event forces the OCx pin low
001 = Single Compare Single-Shot mode: Initializes OCx pin low; compare event forces the OCx pin high
000 = Output compare channel is disabled

Note 1: The OCx output must also be configured to an available RPN pin. For more information, see [Section 11.5 “Peripheral Pin Select \(PPS\)”](#).

2: The Fault input enable and Fault status bits are valid when OCM[2:0] = 111 or 110.

3: The Comparator 1 output controls the OC1-OC2 channels; Comparator 2 output controls the OC3-OC4 channels; Comparator 3 output controls the OC5-OC6 channels.

4: The OCFA/OCFB Fault input must also be configured to an available RPN/RPIn pin. For more information, see [Section 11.5 “Peripheral Pin Select \(PPS\)”](#).

PIC24FJ256GA412/GB412 FAMILY

REGISTER 16-2: OCxCON2: OUTPUT COMPARE x CONTROL REGISTER 2

R/W-0	R/W-0	R/W-0	R/W-0	U-0	R/W-0	R/W-0	R/W-0
FLTMD	FLTOUT	FLTRIEN	OCINV	—	DCB1 ⁽³⁾	DCB0 ⁽³⁾	OC32
bit 15						bit 8	

R/W-0	HS/R/W-0	R/W-0	R/W-0	R/W-1	R/W-1	R/W-0	R/W-0
OCTRIG	TRIGSTAT	OCTRIS	SYNCSEL4	SYNCSEL3	SYNCSEL2	SYNCSEL1	SYNCSEL0
bit 7						bit 0	

Legend:	HS = Hardware Settable bit		
R = Readable bit	W = Writable bit	U = Unimplemented bit, read as '0'	
-n = Value at POR	'1' = Bit is set	'0' = Bit is cleared	x = Bit is unknown

- bit 15 **FLTMD:** Fault Mode Select bit
 1 = Fault mode is maintained until the Fault source is removed and the corresponding OCFLT0 bit is cleared in software
 0 = Fault mode is maintained until the Fault source is removed and a new PWM period starts
- bit 14 **FLTOUT:** Fault Out bit
 1 = PWM output is driven high on a Fault
 0 = PWM output is driven low on a Fault
- bit 13 **FLTRIEN:** Fault Output State Select bit
 1 = Pin is forced to an output on a Fault condition
 0 = Pin I/O condition is unaffected by a Fault
- bit 12 **OCINV:** Output Compare x Invert bit
 1 = OCx output is inverted
 0 = OCx output is not inverted
- bit 11 **Unimplemented:** Read as '0'
- bit 10-9 **DCB[1:0]:** PWM Duty Cycle Least Significant bits⁽³⁾
 11 = Delays OCx falling edge by $\frac{3}{4}$ of the instruction cycle
 10 = Delays OCx falling edge by $\frac{1}{2}$ of the instruction cycle
 01 = Delays OCx falling edge by $\frac{1}{4}$ of the instruction cycle
 00 = OCx falling edge occurs at the start of the instruction cycle
- bit 8 **OC32:** Cascade Two Output Compare Modules Enable bit (32-bit operation)
 1 = Cascade module operation is enabled
 0 = Cascade module operation is disabled
- bit 7 **OCTRIG:** Output Compare x Trigger/Sync Select bit
 1 = Triggers OCx from the source designated by the SYNCSELx bits
 0 = Synchronizes OCx with the source designated by the SYNCSELx bits
- bit 6 **TRIGSTAT:** Timer Trigger Status bit
 1 = Timer source has been triggered and is running
 0 = Timer source has not been triggered and is being held clear
- bit 5 **OCTRIS:** Output Compare x Output Pin Direction Select bit
 1 = OCx pin is tri-stated
 0 = Output Compare Peripheral x is connected to an OCx pin

- Note 1:** Never use an OCx module as its own trigger source, either by selecting this mode or another equivalent SYNCSELx setting.
- 2:** Use these inputs as trigger sources only and never as sync sources.
- 3:** The DCB[1:0] bits are double-buffered in PWM modes only (OCM[2:0] (OCxCON1[2:0]) = 111, 110).

PIC24FJ256GA412/GB412 FAMILY

REGISTER 16-2: OCxCON2: OUTPUT COMPARE x CONTROL REGISTER 2 (CONTINUED)

bit 4-0 **SYNCSEL[4:0]:** Trigger/Synchronization Source Selection bits

11111 = This OC module⁽¹⁾
11110 = OCTRIG1 external input
11101 = OCTRIG2 external input
11100 = CTMU⁽²⁾
11011 = A/D⁽²⁾
11010 = Comparator 3⁽²⁾
11001 = Comparator 2⁽²⁾
11000 = Comparator 1⁽²⁾
10111 = SCCP5 capture/compare
10110 = SCCP4 capture/compare
10101 = SCCP3 capture/compare
10100 = SCCP2 capture/compare
10011 = MCCP1 capture/compare
10010 = Input Capture 3⁽²⁾
10001 = Input Capture 2⁽²⁾
10000 = Input Capture 1⁽²⁾
01111 = SCCP7 capture/compare
01110 = SCCP6 capture/compare
01101 = Timer3
01100 = Timer2
01011 = Timer1
01010 = SCCP7 sync/trigger
01001 = SCCP6 sync/trigger
01000 = SCCP5 sync/trigger
00111 = SCCP4 sync/trigger
00110 = SCCP3 sync/trigger
00101 = SCCP2 sync/trigger
00100 = MCCP1 sync/trigger
00011 = Output Compare 5⁽¹⁾
00010 = Output Compare 3⁽¹⁾
00001 = Output Compare 1⁽¹⁾
00000 = Not synchronized to any other module

- Note 1:** Never use an OCx module as its own trigger source, either by selecting this mode or another equivalent SYNCSELx setting.
- 2:** Use these inputs as trigger sources only and never as sync sources.
- 3:** The DCB[1:0] bits are double-buffered in PWM modes only (OCM[2:0] (OCxCON1[2:0]) = 111, 110).

PIC24FJ256GA412/GB412 FAMILY

NOTES:

PIC24FJ256GA412/GB412 FAMILY

17.0 SERIAL PERIPHERAL INTERFACE (SPI)

Note: This data sheet summarizes the features of the PIC24FJ256GA412/GB412 family of devices. It is not intended to be a comprehensive reference source. To complement the information in this data sheet, refer to the “dsPIC33/PIC24 Family Reference Manual”, “Serial Peripheral Interface (SPI) with Audio Codec Support” (www.microchip.com/DS70005136), which is available from the Microchip website (www.microchip.com). The information in this data sheet supersedes the information in the FRM.

The Serial Peripheral Interface (SPI) module is a synchronous serial interface useful for communicating with other peripheral or microcontroller devices. These peripheral devices may be serial EEPROMs, shift registers, display drivers, A/D Converters, etc. The SPI module is compatible with the Motorola® SPI and SIOF interfaces. All devices in the PIC24FJ256GA412/GB412 family include three SPI modules.

The module supports operation in two buffer modes: Standard and Enhanced. Variable length data can be transmitted and received, from 2 to 32 bits.

In Standard mode, data are shifted through a single serial buffer.

In Enhanced Buffer mode, two 128-bit FIFO buffers are used for the SPIx Transmit Buffer (SPIxTXB) and the SPIx Receive Buffer (SPIxRXB). SPIxBUF provides access to both the receive and transmit FIFOs. The data transmission and reception in the SPIxSR buffer is identical to that in the Standard Buffer mode. The FIFO depth depends on the data width chosen by the Serial Word Length Select (MODE[32,16]) bits in the SPIx Control Register 1 Low (SPIxCON1L). If the MODEx field selects 32-bit data lengths, the FIFO is 4-deep; if the MODEx selects 16-bit data lengths, the FIFO is 8-deep or if MODEx selects 8-bit data lengths, the FIFO is 16 deep.

Note: Do not perform Read-Modify-Write operations (such as bit-oriented instructions) on the SPIxBUF register in either Standard or Enhanced Buffer mode.

The module also supports a basic framed SPI protocol while operating in either Master or Slave mode. A total of four framed SPI configurations are supported.

The module also supports Audio modes. Four different Audio modes are available.

- I²S mode
- Left Justified
- Right Justified
- PCM/DSP

In each of these modes, the serial clock is free-running and audio data are always transferred.

If an audio protocol data transfer takes place between two devices, then usually one device is the master and the other is the slave. However, audio data can be transferred between two slaves. Because the audio protocols require free-running clocks, the master can be a third party controller. In either case, the master generates two free-running clocks: SCKx and LRC (Left, Right Channel Clock/SSx/FSYNC).

The SPI serial interface consists of four pins:

- SDIx: Serial Data Input
- SDOx: Serial Data Output
- SCKx: Shift Clock Input or Output
- \overline{SSx} : Active-Low Slave Select or Frame Synchronization I/O Pulse

The SPI module can be configured to operate using two, three or four pins. In the 3-pin mode, \overline{SSx} is not used. In the 2-pin mode, both SDOx and \overline{SSx} are not used.

The SPI module has the ability to generate three interrupts reflecting the events that occur during the data communication. The following types of interrupts can be generated:

1. Receive interrupts are signalled by SPIxRXIF. This event occurs when:
 - RX watermark interrupt
 - SPIROV = 1
 - SPIRBF = 1
 - SPIRBE = 1provided the respective mask bits are enabled in SPIxIMSKL/H.
2. Transmit interrupts are signalled by SPIxTXIF. This event occurs when:
 - TX watermark interrupt
 - SPITUR = 1
 - SPITBF = 1
 - SPITBE = 1provided the respective mask bits are enabled in SPIxIMSKL/H.
3. General interrupts are signalled by SPIxIF. This event occurs when:
 - FRMERR = 1
 - SPIBUSY = 1
 - SRMT = 1provided the respective mask bits are enabled in SPIxIMSKL/H.

PIC24FJ256GA412/GB412 FAMILY

Block diagrams of the module in Standard and Enhanced modes are shown in [Figure 17-1](#) and [Figure 17-2](#).

Note: In this section, the SPI modules are referred to together as SPIx, or separately as SPI1, SPI2 or SPI3. Special Function Registers will follow a similar notation. For example, SPIxCON1 and SPIxCON2 refer to the control registers for any of the three SPI modules.

To set up the SPIx module for the Standard Master mode of operation:

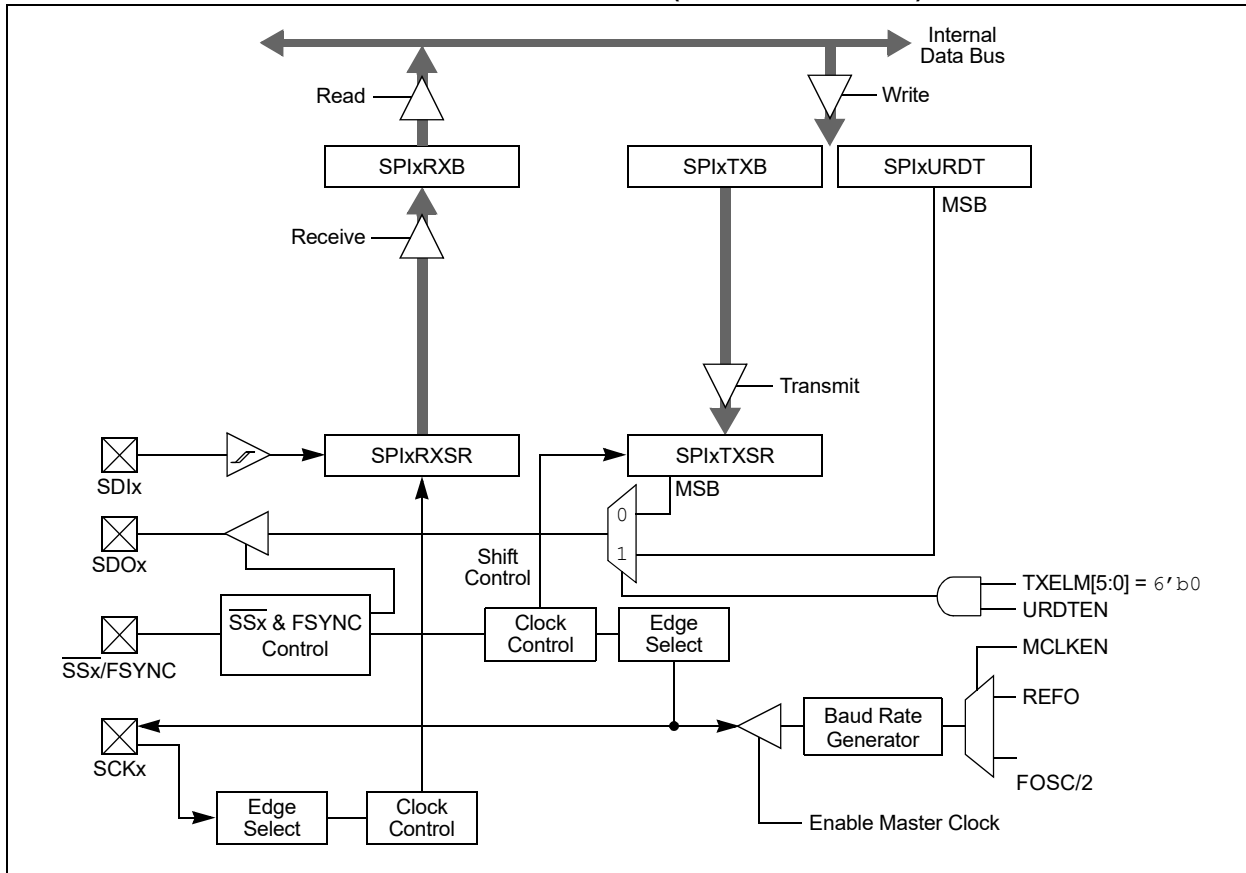
1. If using interrupts:
 - a) Clear the interrupt flag bits in the respective IFSx register.
 - b) Set the interrupt enable bits in the respective IECx register.
 - c) Write the SPIxIP bits in the respective IPCx register to set the interrupt priority.
2. Write the desired settings to the SPIxCON1L and SPIxCON1H registers with the MSTEN bit (SPIxCON1L[5]) = 1.
3. Clear the SPIROV bit (SPIxSTATL[6]).
4. Enable SPIx operation by setting the SPIEN bit (SPIxCON1L[15]).

5. Write the data to be transmitted to the SPIxBUFL and SPIxBUFH registers. Transmission (and reception) will start as soon as data are written to the SPIxBUFL and SPIxBUFH registers.

To set up the SPIx module for the Standard Slave mode of operation:

1. Clear the SPIxBUF registers.
2. If using interrupts:
 - a) Clear the SPIxBUFL and SPIxBUFH registers.
 - b) Set the interrupt enable bits in the respective IECx register.
 - c) Write the SPIxIP bits in the respective IPCx register to set the interrupt priority.
3. Write the desired settings to the SPIxCON1L, SPIxCON1H and SPIxCON2L registers with the MSTEN bit (SPIxCON1L[5]) = 0.
4. Clear the SMP bit.
5. If the CKE bit (SPIxCON1L[8]) is set, then the SSEN bit (SPIxCON1L[7]) must be set to enable the SSx pin.
6. Clear the SPIROV bit (SPIxSTATL[6]).
7. Enable SPIx operation by setting the SPIEN bit (SPIxCON1L[15]).

FIGURE 17-1: SPIx MODULE BLOCK DIAGRAM (STANDARD MODE)



PIC24FJ256GA412/GB412 FAMILY

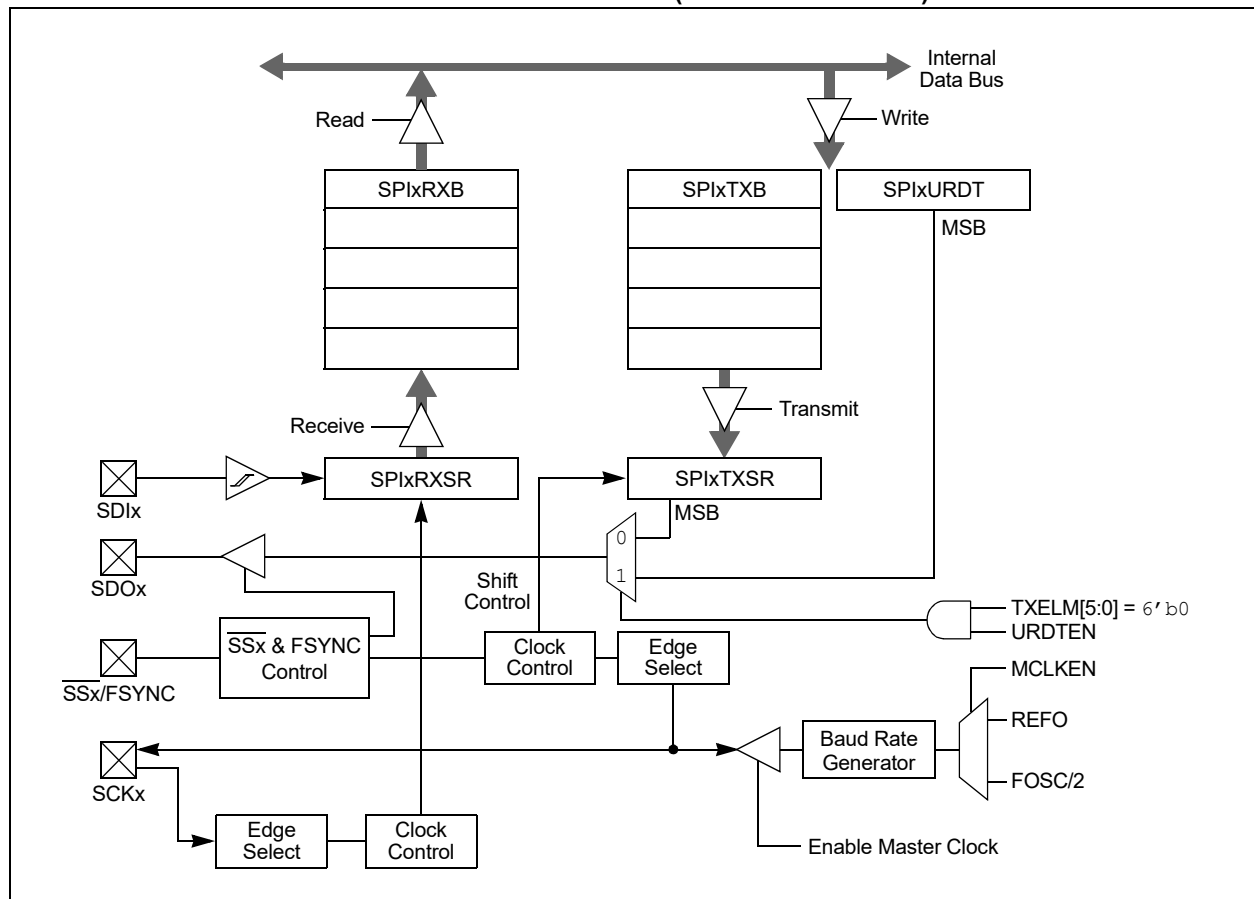
To set up the SPIx module for the Enhanced Buffer Master mode of operation:

1. If using interrupts:
 - a) Clear the interrupt flag bits in the respective IFSx register.
 - b) Set the interrupt enable bits in the respective IECx register.
 - c) Write the SPIxIP bits in the respective IPCx register.
2. Write the desired settings to the SPIxCON1L, SPIxCON1H and SPIxCON2L registers with MSTEN (SPIxCON1L[5]) = 1.
3. Clear the SPIROV bit (SPIxSTATL[6]).
4. Select Enhanced Buffer mode by setting the ENHBUF bit (SPIxCON1L[0]).
5. Enable SPIx operation by setting the SPIEN bit (SPIxCON1L[15]).
6. Write the data to be transmitted to the SPIxBUFL and SPIxBUFH registers. Transmission (and reception) will start as soon as data are written to the SPIxBUFL and SPIxBUFH registers.

To set up the SPIx module for the Enhanced Buffer Slave mode of operation:

1. Clear the SPIxBUFL and SPIxBUFH registers.
2. If using interrupts:
 - a) Clear the interrupt flag bits in the respective IFSx register.
 - b) Set the interrupt enable bits in the respective IECx register.
 - c) Write the SPIxIP bits in the respective IPCx register to set the interrupt priority.
3. Write the desired settings to the SPIxCON1L, SPIxCON1H and SPIxCON2L registers with the MSTEN bit (SPIxCON1L[5]) = 0.
4. Clear the SMP bit.
5. If the CKE bit is set, then the SSx pin must be set, thus enabling the SSx pin.
6. Clear the SPIROV bit (SPIxSTATL[6]).
7. Select Enhanced Buffer mode by setting the ENHBUF bit (SPIxCON1L[0]).
8. Enable SPIx operation by setting the SPIEN bit (SPIxCON1L[15]).

FIGURE 17-2: SPIx MODULE BLOCK DIAGRAM (ENHANCED MODE)



PIC24FJ256GA412/GB412 FAMILY

To set up the SPIx module for Audio mode:

1. Clear the SPIxBUFL and SPIxBUFH registers.
2. If using interrupts:
 - a) Clear the interrupt flag bits in the respective IFSx register.
 - b) Set the interrupt enable bits in the respective IECx register.
 - a) Write the SPIxIP bits in the respective IPCx register to set the interrupt priority.
3. Write the desired settings to the SPIxCON1L, SPIxCON1H and SPIxCON2L registers with AUDEN (SPIxCON1H[15]) = 1.
4. Clear the SPIROV bit (SPIxSTATL[6]).
5. Enable SPIx operation by setting the SPIEN bit (SPIxCON1L[15]).
6. Write the data to be transmitted to the SPIxBUFL and SPIxBUFH registers. Transmission (and reception) will start as soon as data are written to the SPIxBUFL and SPIxBUFH registers.

REGISTER 17-1: SPIxCON1L: SPIx CONTROL REGISTER 1 LOW

R/W-0	U-0	R/W-0	R/W-0	R/W-0	R/W-0	R/W-0	R/W-0
SPIEN	—	SPISIDL	DISSDO	MODE32 ^(1,4)	MODE16 ^(1,4)	SMP	CKE ⁽¹⁾
bit 15						bit 8	

R/W-0	R/W-0	R/W-0	R/W-0	R/W-0	R/W-0	R/W-0	R/W-0
SSEN ⁽²⁾	CKP	MSTEN	DISSDI	DISSCK	MCLKEN ⁽³⁾	SPIFE	ENHBUF
bit 7						bit 0	

Legend:

R = Readable bit W = Writable bit U = Unimplemented bit, read as '0'
 -n = Value at POR '1' = Bit is set '0' = Bit is cleared x = Bit is unknown

- bit 15 **SPIEN:** SPIx On bit
 1 = Enables module
 0 = Turns off and resets module, disables clocks, disables interrupt event generation, allows SFR modifications
- bit 14 **Unimplemented:** Read as '0'
- bit 13 **SPISIDL:** SPIx Stop in Idle Mode bit
 1 = Halts in CPU Idle mode
 0 = Continues to operate in CPU Idle mode
- bit 12 **DISSDO:** Disable SDOx Output Port bit
 1 = SDOx pin is not used by the module; pin is controlled by port function
 0 = SDOx pin is controlled by the module
- bit 11-10 **MODE32 and MODE16:** Serial Word Length Select bits^(1,4)

MODE32	MODE16	AUDEN	Communication
1	x	0	32-Bit
0	1		16-Bit
0	0		8-Bit
1	1	1	24-Bit Data, 32-Bit FIFO, 32-Bit Channel/64-Bit Frame
1	0		32-Bit Data, 32-Bit FIFO, 32-Bit Channel/64-Bit Frame
0	1		16-Bit Data, 16-Bit FIFO, 32-Bit Channel/64-Bit Frame
0	0		16-Bit FIFO, 16-Bit Channel/32-Bit Frame

- Note 1:** When AUDEN (SPIxCON1H[15]) = 1, this module functions as if CKE = 0, regardless of its actual value.
Note 2: When FRMEN = 1, SSEN is not used.
Note 3: MCLKEN can only be written when the SPIEN bit = 0.
Note 4: This channel is not meaningful for DSP/PCM mode as LRC follows FRMSYPW.

PIC24FJ256GA412/GB412 FAMILY

REGISTER 17-1: SPIxCON1L: SPIx CONTROL REGISTER 1 LOW (CONTINUED)

bit 9	SMP: SPIx Data Input Sample Phase bit <u>Master Mode:</u> 1 = Input data are sampled at the end of data output time 0 = Input data are sampled at the middle of data output time <u>Slave Mode:</u> Input data are always sampled at the middle of data output time, regardless of the SMP setting.
bit 8	CKE: SPIx Clock Edge Select bit ⁽¹⁾ 1 = Transmit happens on transition from active clock state to Idle clock state 0 = Transmit happens on transition from Idle clock state to active clock state
bit 7	SSEN: Slave Select Enable bit (Slave mode) ⁽²⁾ 1 = \overline{SSx} pin is used by the macro in Slave mode; \overline{SSx} pin is used as the slave select input 0 = \overline{SSx} pin is not used by the macro (\overline{SSx} pin will be controlled by the port I/O)
bit 6	CKP: Clock Polarity Select bit 1 = Idle state for clock is a high level; active state is a low level 0 = Idle state for clock is a low level; active state is a high level
bit 5	MSTEN: Master Mode Enable bit 1 = Master mode 0 = Slave mode
bit 4	DISSDI: Disable SDIx Input Port bit 1 = SDIx pin is not used by the module; pin is controlled by port function 0 = SDIx pin is controlled by the module
bit 3	DISSCK: Disable SCKx Output Port bit 1 = SCKx pin is not used by the module; pin is controlled by port function 0 = SCKx pin is controlled by the module
bit 2	MCLKEN: Master Clock Enable bit ⁽³⁾ 1 = REFO is used by the BRG 0 = FOSC/2 is used by the BRG
bit 1	SPIFE: Frame Sync Pulse Edge Select bit 1 = Frame Sync pulse (Idle-to-active edge) coincides with the first bit clock 0 = Frame Sync pulse (Idle-to-active edge) precedes the first bit clock
bit 0	ENHBUF: Enhanced Buffer Enable bit 1 = Enhanced Buffer mode is enabled 0 = Enhanced Buffer mode is disabled

- Note 1:** When AUDEN (SPIxCON1H[15]) = 1, this module functions as if CKE = 0, regardless of its actual value.
2: When FRMEN = 1, SSEN is not used.
3: MCLKEN can only be written when the SPIEN bit = 0.
4: This channel is not meaningful for DSP/PCM mode as LRC follows FRMSYPW.

PIC24FJ256GA412/GB412 FAMILY

REGISTER 17-2: SPIxCON1H: SPIx CONTROL REGISTER 1 HIGH

R/W-0	R/W-0	R/W-0	R/W-0	R/W-0	R/W-0	R/W-0	R/W-0
AUDEN ⁽¹⁾	SPISGNEXT	IGNROV	IGNTUR	AUDMONO ⁽²⁾	URDTEN ⁽³⁾	AUDMOD1 ⁽⁴⁾	AUDMOD0 ⁽⁴⁾
bit 15						bit 8	

R/W-0	R/W-0	R/W-0	R/W-0	R/W-0	R/W-0	R/W-0	R/W-0
FRMEN	FRMSYNC	FRMPOL	MSEN	FRMSYPW	FRMCNT2	FRMCNT1	FRMCNT0
bit 7						bit 0	

Legend:

R = Readable bit	W = Writable bit	U = Unimplemented bit, read as '0'
-n = Value at POR	'1' = Bit is set	'0' = Bit is cleared x = Bit is unknown

- bit 15 **AUDEN:** Audio Codec Support Enable bit⁽¹⁾
 1 = Audio protocol is enabled; MSTEN controls the direction of both SCKx and frame (a.k.a. LRC), and this module functions as if FRMEN = 1, FRMSYNC = MSTEN, FRMCNT[2:0] = 001 and SMP = 0, regardless of their actual values
 0 = Audio protocol is disabled
- bit 14 **SPISGNEXT:** SPIx Sign-Extend RX FIFO Read Data Enable bit
 1 = Data from RX FIFO are sign-extended
 0 = Data from RX FIFO are not sign-extended
- bit 13 **IGNROV:** Ignore Receive Overflow bit
 1 = A Receive Overflow (ROV) is NOT a critical error; during ROV, data in the FIFO are not overwritten by the receive data
 0 = A ROV is a critical error that stops SPI operation
- bit 12 **IGNTUR:** Ignore Transmit Underrun bit
 1 = A Transmit Underrun (TUR) is NOT a critical error and data, indicated by URDTEN, are transmitted until the SPIxTXB is not empty
 0 = A TUR is a critical error that stops SPI operation
- bit 11 **AUDMONO:** Audio Data Format Transmit bit⁽²⁾
 1 = Audio data are mono (i.e., each data word is transmitted on both left and right channels)
 0 = Audio data are stereo
- bit 10 **URDTEN:** Transmit Underrun Data Enable bit⁽³⁾
 1 = Transmits data out of SPIxURDT register during Transmit Underrun conditions
 0 = Transmits the last received data during Transmit Underrun conditions
- bit 9-8 **AUDMOD[1:0]:** Audio Protocol Mode Selection bits⁽⁴⁾
 11 = PCM/DSP mode
 10 = Right Justified mode: This module functions as if SPIFE = 1, regardless of its actual value
 01 = Left Justified mode: This module functions as if SPIFE = 1, regardless of its actual value
 00 = I²S mode: This module functions as if SPIFE = 0, regardless of its actual value
- bit 7 **FRMEN:** Framed SPIx Support bit
 1 = Framed SPIx support is enabled (\overline{SSx} pin is used as the FSYNC input/output)
 0 = Framed SPIx support is disabled

- Note 1:** AUDEN can only be written when the SPIEN bit = 0.
Note 2: AUDMONO can only be written when the SPIEN bit = 0 and is only valid for AUDEN = 1.
Note 3: URDTEN is only valid when IGNTUR = 1.
Note 4: AUDMOD[1:0] can only be written when the SPIEN bit = 0 and is only valid when AUDEN = 1. When NOT in PCM/DSP mode, this module functions as if FRMSYPW = 1, regardless of its actual value.

PIC24FJ256GA412/GB412 FAMILY

REGISTER 17-2: SPIxCON1H: SPIx CONTROL REGISTER 1 HIGH (CONTINUED)

- bit 6 **FRMSYNC**: Frame Sync Pulse Direction Control bit
1 = Frame Sync pulse input (slave)
0 = Frame Sync pulse output (master)
- bit 5 **FRMPOL**: Frame Sync/Slave Select Polarity bit
1 = Frame Sync pulse/slave select is active-high
0 = Frame Sync pulse/slave select is active-low
- bit 4 **MSEN**: Master Mode Slave Select Enable bit
1 = SPIx slave select support is enabled with polarity determined by FRMPOL (\overline{SSx} pin is automatically driven during transmission in Master mode)
0 = Slave select SPIx support is disabled (\overline{SSx} pin will be controlled by port IO)
- bit 3 **FRMSYPW**: Frame Sync Pulse-Width bit
1 = Frame Sync pulse is one serial word length wide (as defined by MODE[32,16]/WLENGTH[4:0])
0 = Frame Sync pulse is one clock (SCK) wide
- bit 2-0 **FRMCNT[2:0]**: Frame Sync Pulse Counter bits
Controls the number of serial words transmitted per Sync pulse.
111 = Reserved
110 = Reserved
101 = Generates a Frame Sync pulse on every 32 serial words
100 = Generates a Frame Sync pulse on every 16 serial words
011 = Generates a Frame Sync pulse on every 8 serial words
010 = Generates a Frame Sync pulse on every 4 serial words
001 = Generates a Frame Sync pulse on every 2 serial words (value used by audio protocols)
000 = Generates a Frame Sync pulse on each serial word

- Note 1:** AUDEN can only be written when the SPIEN bit = 0.
2: AUDMONO can only be written when the SPIEN bit = 0 and is only valid for AUDEN = 1.
3: URDTEN is only valid when IGNTUR = 1.
4: AUDMOD[1:0] can only be written when the SPIEN bit = 0 and is only valid when AUDEN = 1. When NOT in PCM/DSP mode, this module functions as if FRMSYPW = 1, regardless of its actual value.

PIC24FJ256GA412/GB412 FAMILY

REGISTER 17-3: SPIxCON2L: SPIx CONTROL REGISTER 2 LOW

U-0	U-0	U-0	U-0	U-0	U-0	U-0	U-0
—	—	—	—	—	—	—	—
bit 15							bit 8

U-0	U-0	U-0	R/W-0	R/W-0	R/W-0	R/W-0	R/W-0
—	—	—	WLENGTH[4:0] ^(1,2)				—
bit 7						bit 0	

Legend:

R = Readable bit

W = Writable bit

U = Unimplemented bit, read as '0'

-n = Value at POR

'1' = Bit is set

'0' = Bit is cleared

x = Bit is unknown

bit 15-5

Unimplemented: Read as '0'

bit 4-0

WLENGTH[4:0]: Variable Word Length bits^(1,2)

11111 = 32-bit data
 11110 = 31-bit data
 11101 = 30-bit data
 11100 = 29-bit data
 11011 = 28-bit data
 11010 = 27-bit data
 11001 = 26-bit data
 11000 = 25-bit data
 10111 = 24-bit data
 10110 = 23-bit data
 10101 = 22-bit data
 10100 = 21-bit data
 10011 = 20-bit data
 10010 = 19-bit data
 10001 = 18-bit data
 10000 = 17-bit data
 01111 = 16-bit data
 01110 = 15-bit data
 01101 = 14-bit data
 01100 = 13-bit data
 01011 = 12-bit data
 01010 = 11-bit data
 01001 = 10-bit data
 01000 = 9-bit data
 00111 = 8-bit data
 00110 = 7-bit data
 00101 = 6-bit data
 00100 = 5-bit data
 00011 = 4-bit data
 00010 = 3-bit data
 00001 = 2-bit data
 00000 = See MODE[32,16] bits in SPIxCON1L[11:10]

Note 1: These bits are effective when AUDEN = 0 only.

2: Varying the length by changing these bits does not affect the depth of the TX/RX FIFO.

PIC24FJ256GA412/GB412 FAMILY

REGISTER 17-4: SPIxSTATL: SPIx STATUS REGISTER LOW

U-0	U-0	U-0	HS/R/C-0	HSC/R-0	U-0	U-0	HSC/R-0
—	—	—	FRMERR	SPIBUSY	—	—	SPITUR ⁽¹⁾
bit 15							bit 8

HSC/R-0	HS/R/C-0	HSC/R-1	U-0	HSC/R-1	U-0	HSC/R-0	HSC/R-0
SRMT	SPIROV	SPIRBE	—	SPITBE	—	SPITBF	SPIRBF
bit 7							bit 0

Legend:	C = Clearable bit	U = Unimplemented, read as '0'
R = Readable bit	W = Writable bit	HSC = Hardware Settable/Clearable bit
-n = Value at POR	'1' = Bit is set	'0' = Bit is cleared
		HS = Hardware Settable bit

bit 15-13 **Unimplemented:** Read as '0'

bit 12 **FRMERR:** SPIx Frame Error Status bit

1 = Frame error is detected

0 = No frame error is detected

bit 11 **SPIBUSY:** SPIx Activity Status bit

1 = Module is currently busy with some transactions

0 = No ongoing transactions (at time of read)

bit 10-9 **Unimplemented:** Read as '0'

bit 8 **SPITUR:** SPIx Transmit Underrun Status bit⁽¹⁾

1 = Transmit buffer has encountered a Transmit Underrun condition

0 = Transmit buffer does not have a Transmit Underrun condition

bit 7 **SRMT:** Shift Register Empty Status bit

1 = No current or pending transactions (i.e., neither SPIxTXB or SPIxTXSR contains data to transmit)

0 = Current or pending transactions

bit 6 **SPIROV:** SPIx Receive Overflow Status bit

1 = A new byte/half-word/word has been completely received when the SPIxRXB was full

0 = No overflow

bit 5 **SPIRBE:** SPIx RX Buffer Empty Status bit

1 = RX buffer is empty

0 = RX buffer is not empty

Standard Buffer Mode:

Automatically set in hardware when SPIxBUF is read from, reading SPIxRXB. Automatically cleared in hardware when SPIx transfers data from SPIxRXSR to SPIxRXB.

Enhanced Buffer Mode:

Indicates RXELM[5:0] = 000000.

bit 4 **Unimplemented:** Read as '0'

Note 1: SPITUR is cleared when SPIEN = 0. When IGNTUR = 1, SPITUR provides dynamic status of the Transmit Underrun condition, but does not stop RX/TX operation and does not need to be cleared by software.

PIC24FJ256GA412/GB412 FAMILY

REGISTER 17-4: SPIxSTATL: SPIx STATUS REGISTER LOW (CONTINUED)

- bit 3 **SPITBE:** SPIx Transmit Buffer Empty Status bit
1 = SPIxTXB is empty
0 = SPIxTXB is not empty
Standard Buffer Mode:
Automatically set in hardware when SPIx transfers data from SPIxTXB to SPIxTXSR. Automatically cleared in hardware when SPIxBUF is written, loading SPIxTXB.
Enhanced Buffer Mode:
Indicates TXELM[5:0] = 000000.
- bit 2 **Unimplemented:** Read as '0'
- bit 1 **SPITBF:** SPIx Transmit Buffer Full Status bit
1 = SPIxTXB is full
0 = SPIxTXB not full
Standard Buffer Mode:
Automatically set in hardware when SPIxBUF is written, loading SPIxTXB. Automatically cleared in hardware when SPIx transfers data from SPIxTXB to SPIxTXSR.
Enhanced Buffer Mode:
Indicates TXELM[5:0] = 111111.
- bit 0 **SPIRBF:** SPIx Receive Buffer Full Status bit
1 = SPIxRXB is full
0 = SPIxRXB is not full
Standard Buffer Mode:
Automatically set in hardware when SPIx transfers data from SPIxRXSR to SPIxRXB. Automatically cleared in hardware when SPIxBUF is read from, reading SPIxRXB.
Enhanced Buffer Mode:
Indicates RXELM[5:0] = 111111.

Note 1: SPITUR is cleared when SPIEN = 0. When IGNTUR = 1, SPITUR provides dynamic status of the Transmit Underrun condition, but does not stop RX/TX operation and does not need to be cleared by software.

PIC24FJ256GA412/GB412 FAMILY

REGISTER 17-5: SPIxSTATH: SPIx STATUS REGISTER HIGH

U-0	U-0	HSC/R-0	HSC/R-0	HSC/R-0	HSC/R-0	HSC/R-0	HSC/R-0
—	—	RXELM5 ⁽³⁾	RXELM4 ⁽²⁾	RXELM3 ⁽¹⁾	RXELM2	RXELM1	RXELM0
bit 15							bit 8

U-0	U-0	HSC/R-0	HSC/R-0	HSC/R-0	HSC/R-0	HSC/R-0	HSC/R-0
—	—	TXELM5 ⁽³⁾	TXELM4 ⁽²⁾	TXELM3 ⁽¹⁾	TXELM2	TXELM1	TXELM0
bit 7							bit 0

Legend:	HSC = Hardware Settable/Clearable bit						
R = Readable bit	W = Writable bit	U = Unimplemented bit, read as '0'					
-n = Value at POR	'1' = Bit is set	'0' = Bit is cleared	x = Bit is unknown				

bit 15-14 **Unimplemented:** Read as '0'

bit 13-8 **RXELM[5:0]:** Receive Buffer Element Count bits (valid in Enhanced Buffer mode)^(1,2,3)

bit 7-6 **Unimplemented:** Read as '0'

bit 5-0 **TXELM[5:0]:** Transmit Buffer Element Count bits (valid in Enhanced Buffer mode)^(1,2,3)

- Note 1:** RXELM3 and TXELM3 bits are only present when FIFODEPTH = 8 or higher.
2: RXELM4 and TXELM4 bits are only present when FIFODEPTH = 16 or higher.
3: RXELM5 and TXELM5 bits are only present when FIFODEPTH = 32.

PIC24FJ256GA412/GB412 FAMILY

REGISTER 17-6: SPIxIMSKL: SPIx INTERRUPT MASK REGISTER LOW

U-0	U-0	U-0	R/W-0	R/W-0	U-0	U-0	R/W-0
—	—	—	FRMERREN	BUSYEN	—	—	SPITUREN
bit 15							bit 8

R/W-0	R/W-0	R/W-0	U-0	R/W-0	U-0	R/W-0	R/W-0
SRMTEN	SPIROVEN	SPIRBEN	—	SPITBEN	—	SPITBFEN	SPIRBFEN
bit 7							bit 0

Legend:

R = Readable bit

W = Writable bit

U = Unimplemented bit, read as '0'

-n = Value at POR

'1' = Bit is set

'0' = Bit is cleared

x = Bit is unknown

- bit 15-13 **Unimplemented:** Read as '0'
- bit 12 **FRMERREN:** Enable Interrupt Events via FRMERR bit
 1 = Frame error generates an interrupt event
 0 = Frame error does not generate an interrupt event
- bit 11 **BUSYEN:** Enable Interrupt Events via SPIBUSY bit
 1 = SPIBUSY generates an interrupt event
 0 = SPIBUSY does not generate an interrupt event
- bit 10-9 **Unimplemented:** Read as '0'
- bit 8 **SPITUREN:** Enable Interrupt Events via SPITUR bit
 1 = Transmit Underrun (TUR) generates an interrupt event
 0 = Transmit Underrun does not generate an interrupt event
- bit 7 **SRMTEN:** Enable Interrupt Events via SRMT bit
 1 = Shift Register Empty (SRMT) generates interrupt events
 0 = Shift Register Empty does not generate interrupt events
- bit 6 **SPIROVEN:** Enable Interrupt Events via SPIROV bit
 1 = SPIx Receive Overflow (ROV) generates an interrupt event
 0 = SPIx Receive Overflow does not generate an interrupt event
- bit 5 **SPIRBEN:** Enable Interrupt Events via SPIRBE bit
 1 = SPIx RX buffer empty generates an interrupt event
 0 = SPIx RX buffer empty does not generate an interrupt event
- bit 4 **Unimplemented:** Read as '0'
- bit 3 **SPITBEN:** Enable Interrupt Events via SPITBE bit
 1 = SPIx transmit buffer empty generates an interrupt event
 0 = SPIx transmit buffer empty does not generate an interrupt event
- bit 2 **Unimplemented:** Read as '0'
- bit 1 **SPITBFEN:** Enable Interrupt Events via SPITBF bit
 1 = SPIx transmit buffer full generates an interrupt event
 0 = SPIx transmit buffer full does not generate an interrupt event
- bit 0 **SPIRBFEN:** Enable Interrupt Events via SPIRBF bit
 1 = SPIx receive buffer full generates an interrupt event
 0 = SPIx receive buffer full does not generate an interrupt event

PIC24FJ256GA412/GB412 FAMILY

REGISTER 17-7: SPIxIMSKH: SPIx INTERRUPT MASK REGISTER HIGH

R/W-0	U-0	R/W-0	R/W-0	R/W-0	R/W-0	R/W-0	R/W-0
RXWIEN	—	RXMSK5 ⁽¹⁾	RXMSK4 ^(1,4)	RXMSK3 ^(1,3)	RXMSK2 ^(1,2)	RXMSK1 ⁽¹⁾	RXMSK0 ⁽¹⁾
bit 15							bit 8

R/W-0	U-0	R/W-0	R/W-0	R/W-0	R/W-0	R/W-0	R/W-0
TXWIEN	—	TXMSK5 ⁽¹⁾	TXMSK4 ^(1,4)	TXMSK3 ^(1,3)	TXMSK2 ^(1,2)	TXMSK1 ⁽¹⁾	TXMSK0 ⁽¹⁾
bit 7							bit 0

Legend:

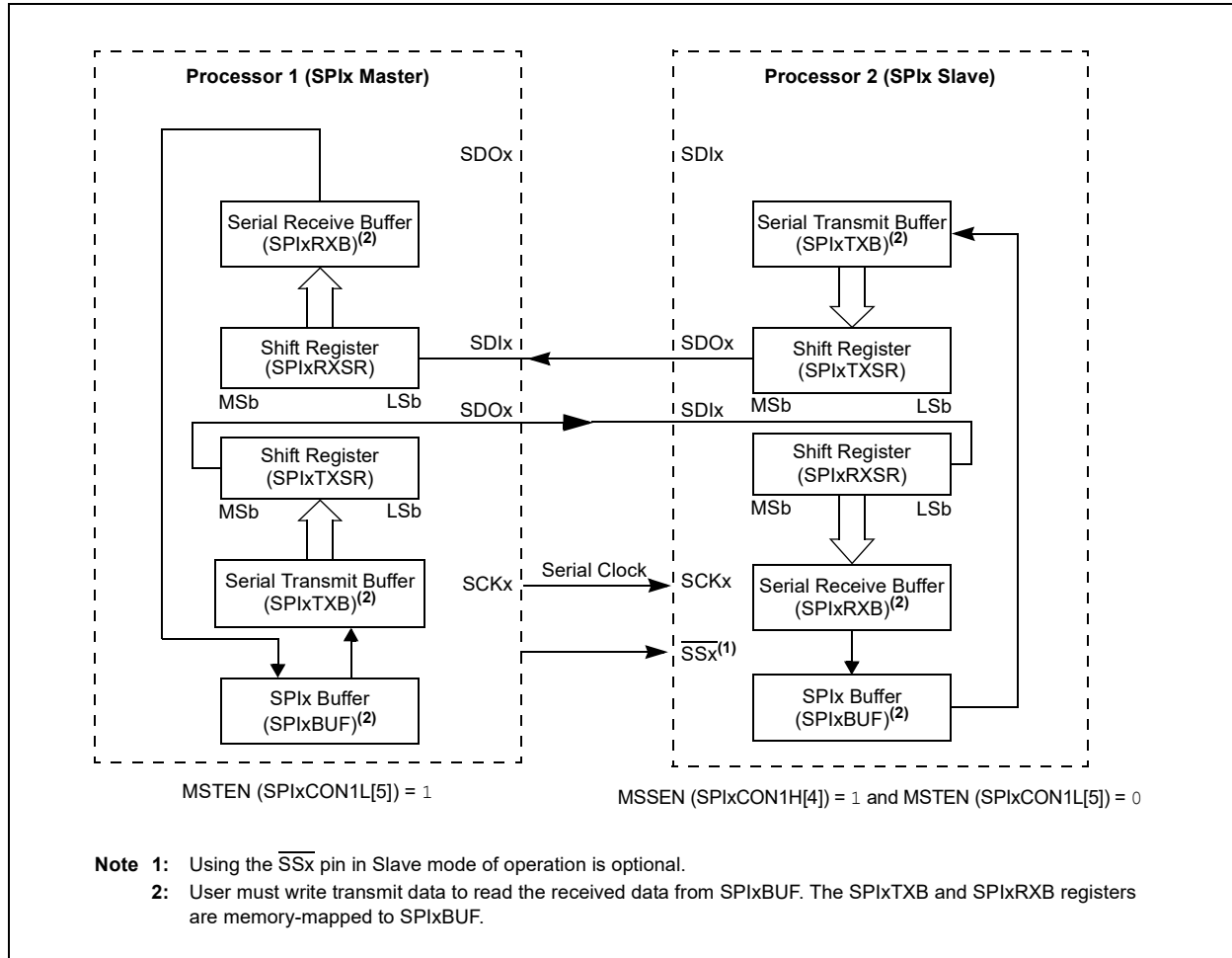
R = Readable bit	W = Writable bit	U = Unimplemented bit, read as '0'
-n = Value at POR	'1' = Bit is set	'0' = Bit is cleared
		x = Bit is unknown

- bit 15 **RXWIEN:** Receive Watermark Interrupt Enable bit
 1 = Triggers receive buffer element watermark interrupt when $RXMSK[5:0] \leq RXELM[5:0]$
 0 = Disables receive buffer element watermark interrupt
- bit 14 **Unimplemented:** Read as '0'
- bit 13-8 **RXMSK[5:0]:** RX Buffer Mask bits^(1,2,3,4)
 RX mask bits; used in conjunction with the RXWIEN bit.
- bit 7 **TXWIEN:** Transmit Watermark Interrupt Enable bit
 1 = Triggers transmit buffer element watermark interrupt when $TXMSK[5:0] = TXELM[5:0]$
 0 = Disables transmit buffer element watermark interrupt
- bit 6 **Unimplemented:** Read as '0'
- bit 5-0 **TXMSK[5:0]:** TX Buffer Mask bits^(1,2,3,4)
 TX mask bits; used in conjunction with the TXWIEN bit.

- Note 1:** Mask values higher than FIFODEPTH are not valid. The module will not trigger a match for any value in this case.
- 2:** RXMSK2 and TXMSK2 bits are only present when FIFODEPTH = 8 or higher.
- 3:** RXMSK3 and TXMSK3 bits are only present when FIFODEPTH = 16 or higher.
- 4:** RXMSK4 and TXMSK4 bits are only present when FIFODEPTH = 32.

PIC24FJ256GA412/GB412 FAMILY

FIGURE 17-3: SPIx MASTER/SLAVE CONNECTION (STANDARD MODE)



PIC24FJ256GA412/GB412 FAMILY

FIGURE 17-4: SPIx MASTER/SLAVE CONNECTION (ENHANCED BUFFER MODES)

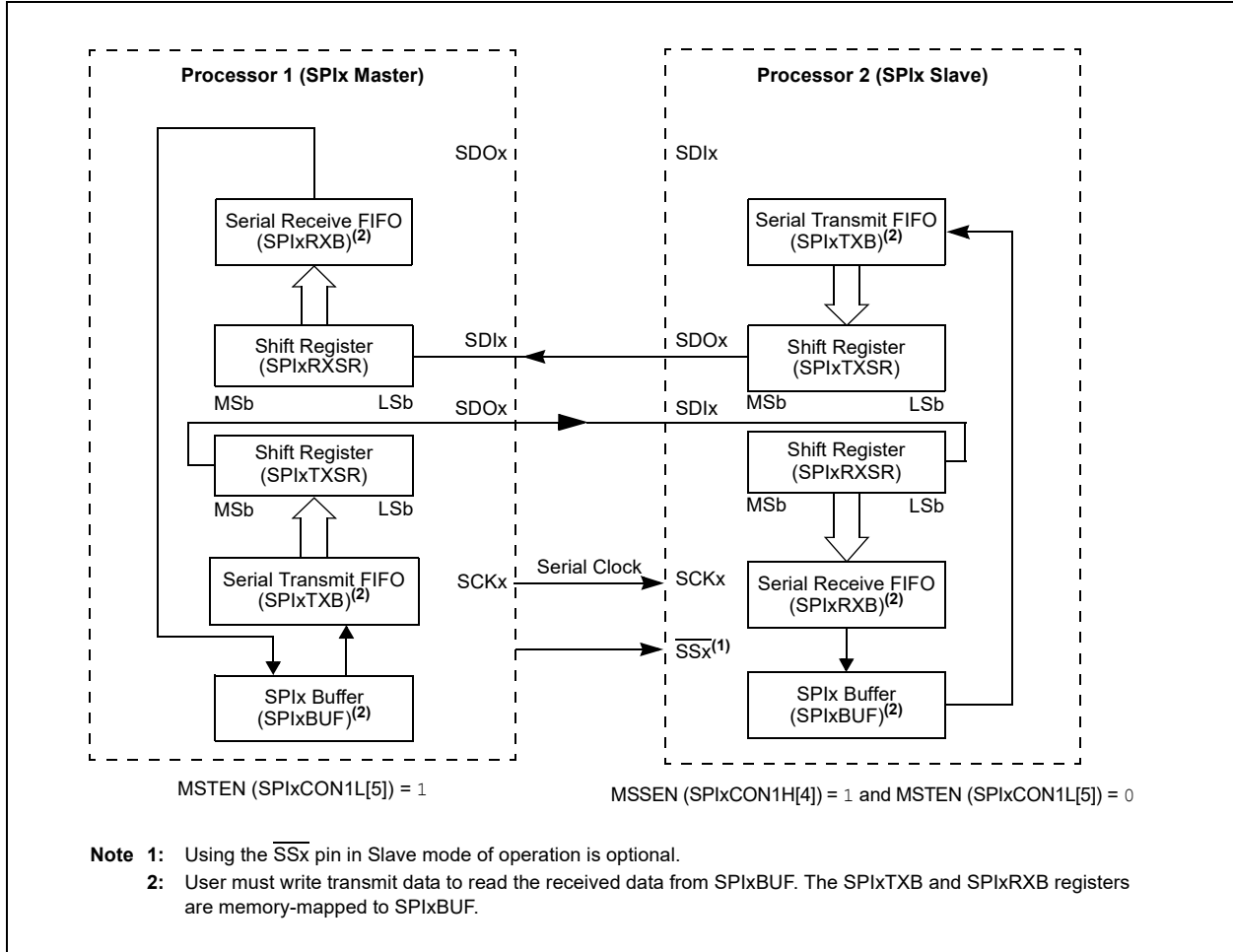
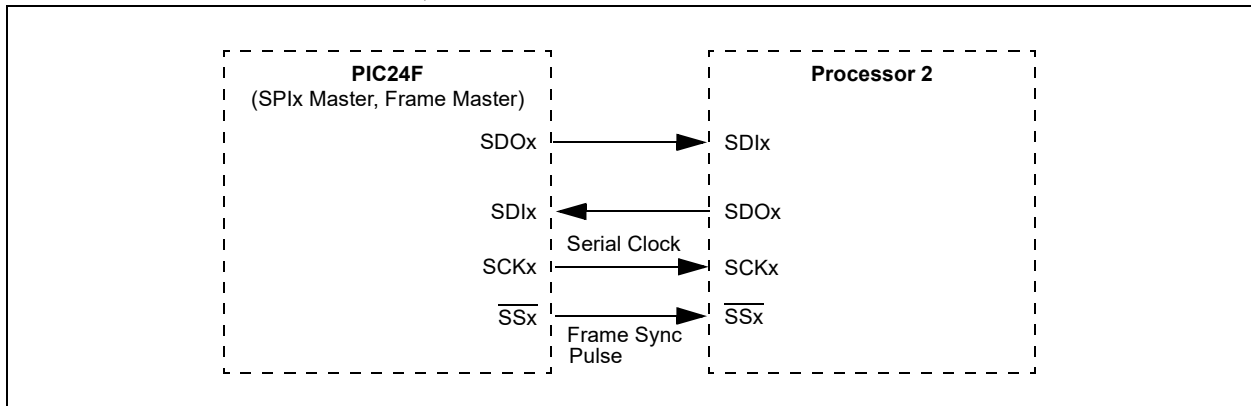


FIGURE 17-5: SPIx MASTER, FRAME MASTER CONNECTION DIAGRAM



PIC24FJ256GA412/GB412 FAMILY

FIGURE 17-6: SPIx MASTER, FRAME SLAVE CONNECTION DIAGRAM

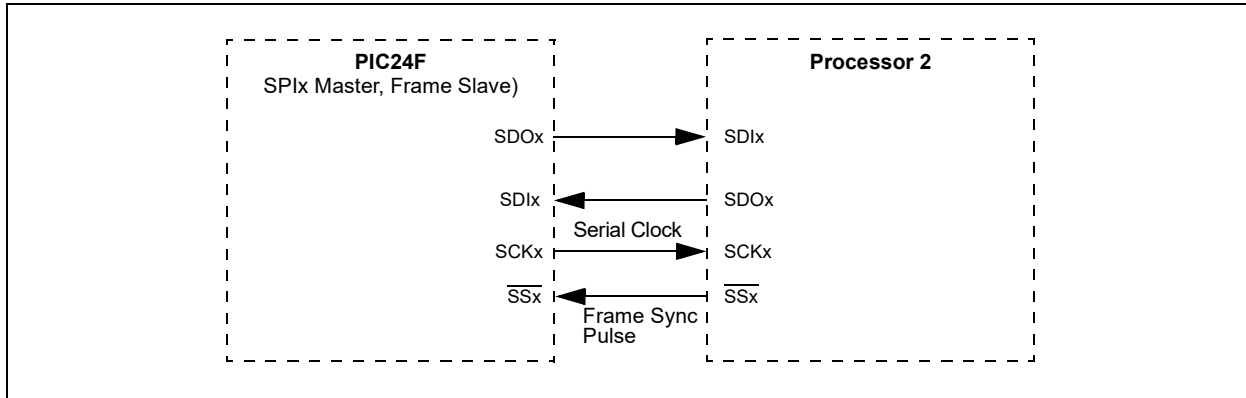


FIGURE 17-7: SPIx SLAVE, FRAME MASTER CONNECTION DIAGRAM

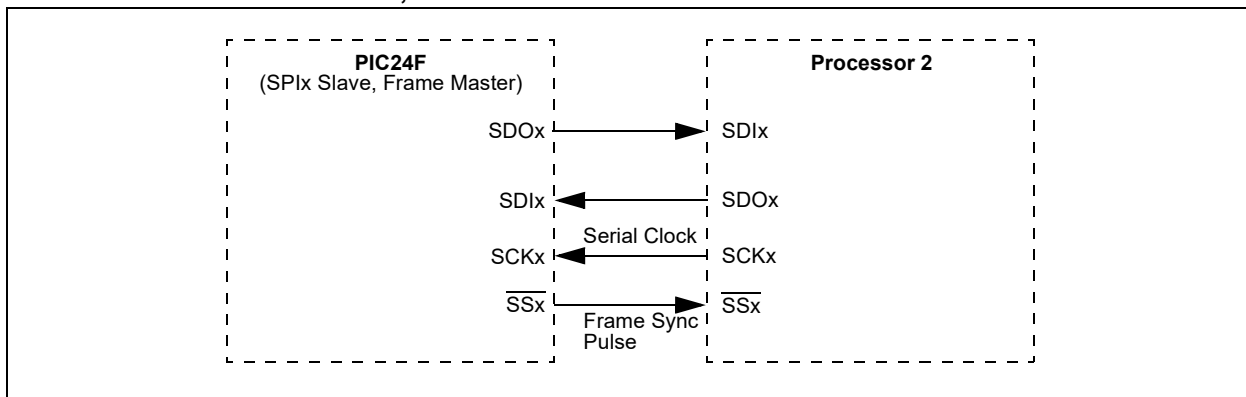
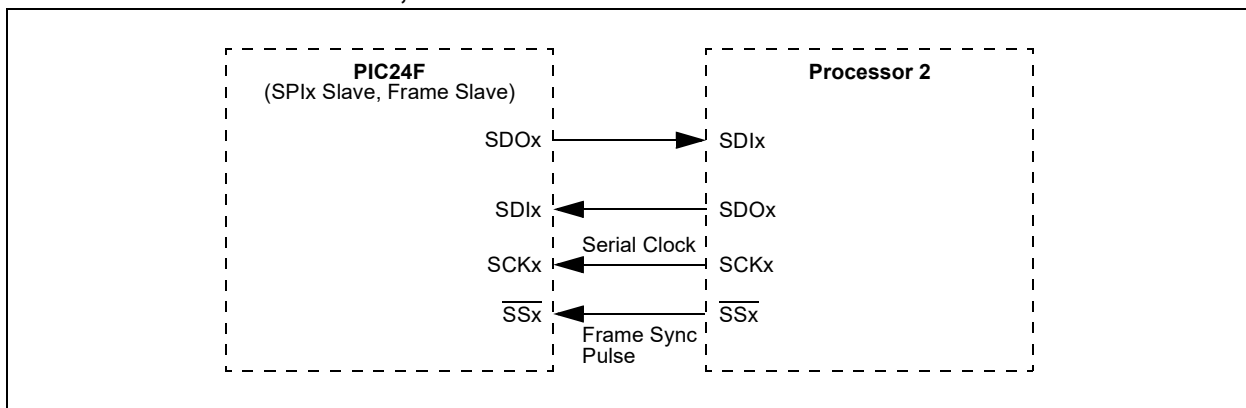


FIGURE 17-8: SPIx SLAVE, FRAME SLAVE CONNECTION DIAGRAM



EQUATION 17-1: RELATIONSHIP BETWEEN DEVICE AND SPIx CLOCK SPEED

$$\text{Baud Rate} = \frac{\text{FPB}}{(2 * (\text{SPIxBRG} + 1))}$$

Where:

FPB is the Peripheral Bus Clock Frequency.

PIC24FJ256GA412/GB412 FAMILY

18.0 INTER-INTEGRATED CIRCUIT (I²C)

Note: This data sheet summarizes the features of this group of PIC24F devices. It is not intended to be a comprehensive reference source. For more information, refer to the “*dsPIC33/PIC24 Family Reference Manual*”, “**Inter-Integrated Circuit (I²C)**” (www.microchip.com/DS70000195). The information in this data sheet supersedes the information in the FRM.

The Inter-Integrated Circuit (I²C) module is a serial interface useful for communicating with other peripheral or microcontroller devices. These peripheral devices may be serial EEPROMs, display drivers, A/D Converters, etc.

The I²C module supports these features:

- Independent Master and Slave Logic
- 7-Bit and 10-Bit Device Addresses
- General Call Address as Defined in the I²C Protocol
- Clock Stretching to Provide Delays for the Processor to Respond to a Slave Data Request
- Both 100 kHz and 400 kHz Bus Specifications
- Configurable Address Masking
- Multi-Master Modes to Prevent Loss of Messages in Arbitration
- Bus Repeater mode, Allowing the Acceptance of All Messages as a Slave, Regardless of the Address
- Automatic SCL

A block diagram of the module is shown in [Figure 18-1](#).

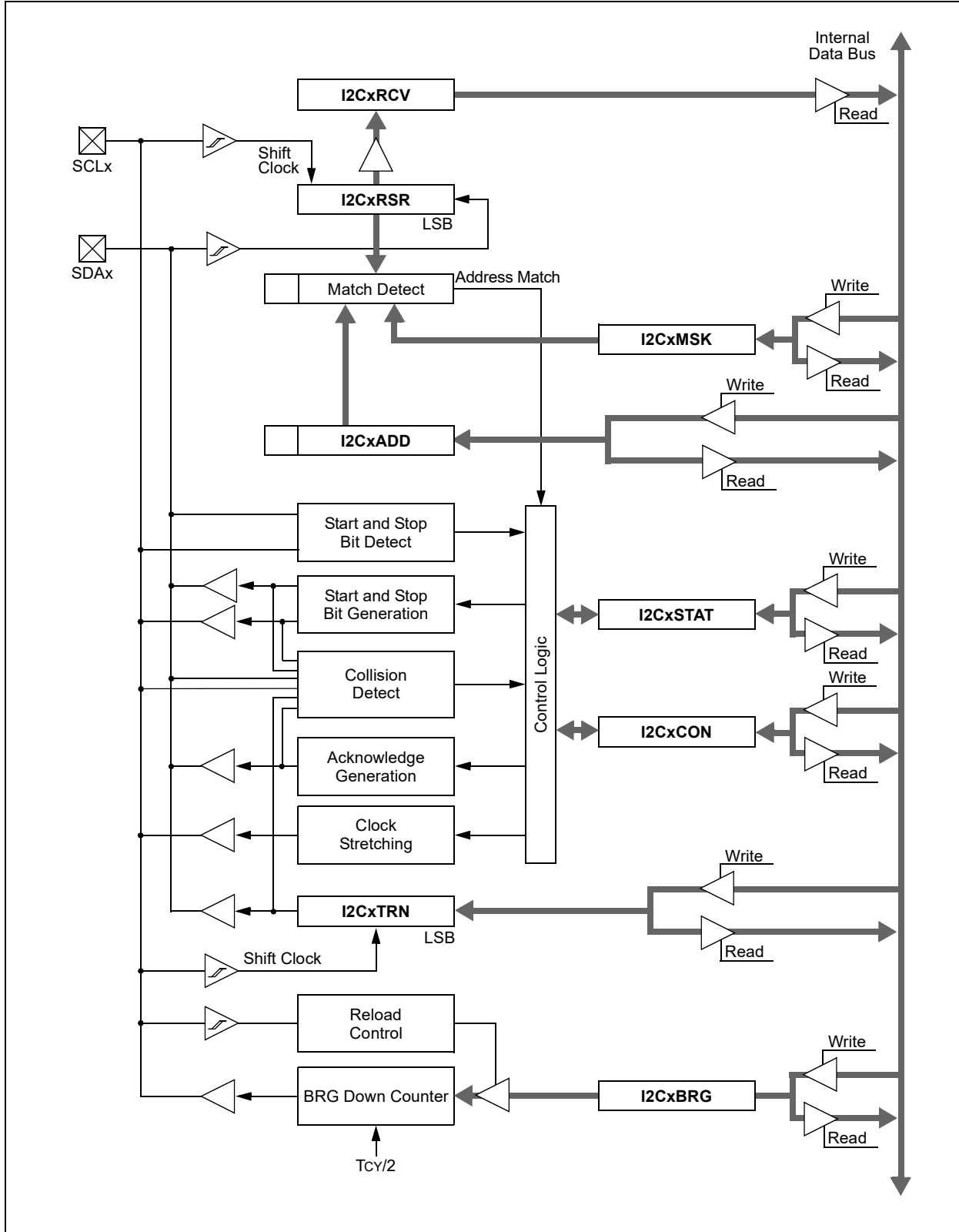
18.1 Communicating as a Master in a Single Master Environment

The details of sending a message in Master mode depends on the communications protocol for the device being communicated with. Typically, the sequence of events is as follows:

1. Assert a Start condition on SDAx and SCLx.
2. Send the I²C device address byte to the slave with a write indication.
3. Wait for and verify an Acknowledge from the slave.
4. Send the first data byte (sometimes known as the command) to the slave.
5. Wait for and verify an Acknowledge from the slave.
6. Send the serial memory address low byte to the slave.
7. Repeat Steps 4 and 5 until all data bytes are sent.
8. Assert a Repeated Start condition on SDAx and SCLx.
9. Send the device address byte to the slave with a read indication.
10. Wait for and verify an Acknowledge from the slave.
11. Enable master reception to receive serial memory data.
12. Generate an ACK or NACK condition at the end of a received byte of data.
13. Generate a Stop condition on SDAx and SCLx.

PIC24FJ256GA412/GB412 FAMILY

FIGURE 18-1: I2Cx BLOCK DIAGRAM



PIC24FJ256GA412/GB412 FAMILY

18.2 Setting Baud Rate When Operating as a Bus Master

To compute the Baud Rate Generator reload value, use [Equation 18-1](#).

EQUATION 18-1: COMPUTING BAUD RATE RELOAD VALUE^(1,2)

$$F_{SCL} = \frac{F_{CY}}{2 \cdot (BRG + 2)}$$

or

$$BRG = \left(\frac{F_{CY}}{2 \cdot F_{SCL}} \right) - 2$$

Note 1: Based on $F_{CY} = F_{OSC}/2$; Doze mode and PLL are disabled.

Note 2: These clock rate values are for guidance only. The actual clock rate can be affected by various system-level parameters. The actual clock rate should be measured in its intended application.

18.3 Slave Address Masking

The I2CxMSK register ([Register 18-4](#)) designates address bit positions as “don’t care” for both 7-Bit and 10-Bit Addressing modes. Setting a particular bit location (= 1) in the I2CxMSK register causes the slave module to respond, whether the corresponding address bit value is a ‘0’ or a ‘1’. For example, when I2CxMSK is set to ‘0010000000’, the slave module will detect both addresses, ‘0000000000’ and ‘0010000000’.

To enable address masking, the Intelligent Peripheral Management Interface (IPMI) must be disabled by clearing the STRICT bit (I2CxCONH[11]).

Note: As a result of changes in the I²C protocol, the addresses in [Table 18-2](#) are reserved and will not be Acknowledged in Slave mode. This includes any address mask settings that include any of these addresses.

TABLE 18-1: I2Cx CLOCK RATES^(1,2)

Required System F _{SCL}	F _{CY}	I2CxBRG Value		Actual F _{SCL}
		(Decimal)	(Hexadecimal)	
100 kHz	16 MHz	157	9D	100 kHz
100 kHz	8 MHz	78	4E	100 kHz
100 kHz	4 MHz	39	27	99 kHz
400 kHz	16 MHz	37	25	404 kHz
400 kHz	8 MHz	18	12	404 kHz
400 kHz	4 MHz	9	9	385 kHz
400 kHz	2 MHz	4	4	385 kHz
1 MHz	16 MHz	13	D	1.026 MHz
1 MHz	8 MHz	6	6	1.026 MHz
1 MHz	4 MHz	3	3	0.909 MHz

Note 1: Based on $F_{CY} = F_{OSC}/2$; Doze mode and PLL are disabled.

Note 2: These clock rate values are for guidance only. The actual clock rate can be affected by various system-level parameters. The actual clock rate should be measured in its intended application.

TABLE 18-2: I2Cx RESERVED ADDRESSES⁽¹⁾

Slave Address	R/W Bit	Description
0000 000	0	General Call Address ⁽²⁾
0000 000	1	Start Byte
0000 001	x	CBus Address
0000 01x	x	Reserved
0000 1xx	x	HS Mode Master Code
1111 0xx	x	10-Bit Slave Upper Byte ⁽³⁾
1111 1xx	x	Reserved

Note 1: The address bits listed here will never cause an address match independent of address mask settings.

Note 2: This address will be Acknowledged only if GCEN = 1.

Note 3: A match on this address can only occur on the upper byte in 10-Bit Addressing mode.

PIC24FJ256GA412/GB412 FAMILY

REGISTER 18-1: I2CxCONL: I2Cx CONTROL REGISTER LOW

R/W-0	U-0	HC/R/W-0	R/W-1	R/W-0	R/W-0	R/W-0	R/W-0
I2CEN	—	I2CSIDL	SCKREL ⁽¹⁾	STRICT	A10M	DISSLW	SMEN
bit 15							bit 8

R/W-0	R/W-0	R/W-0	HC/R/W-0	HC/R/W-0	HC/R/W-0	HC/R/W-0	HC/R/W-0
GCEN	STREN	ACKDT	ACKEN	RCEN	PEN	RSEN	SEN
bit 7							bit 0

Legend:	HC = Hardware Clearable bit
R = Readable bit	W = Writable bit
-n = Value at POR	'1' = Bit is set
	U = Unimplemented bit, read as '0'
	'0' = Bit is cleared
	x = Bit is unknown

- bit 15 **I2CEN:** I2Cx Enable bit (writable from SW only)
 1 = Enables the I2Cx module and configures the SDAx and SCLx pins as serial port pins
 0 = Disables the I2Cx module; all I²C pins are controlled by port functions
- bit 14 **Unimplemented:** Read as '0'
- bit 13 **I2CSIDL:** I2Cx Stop in Idle Mode bit
 1 = Discontinues module operation when device enters Idle mode
 0 = Continues module operation in Idle mode
- bit 12 **SCKREL:** SCLx Release Control bit (I²C Slave mode only)⁽¹⁾
 Module resets and (I2CEN = 0) sets SCKREL = 1.
If STREN = 0:⁽²⁾
 1 = Releases clock
 0 = Forces clock low (clock stretch)
If STREN = 1:
 1 = Releases clock
 0 = Holds clock low (clock stretch); user may program this bit to '0'; clock stretch at next SCLx low
- bit 11 **STRICT:** I2Cx Strict Reserved Address Rule Enable bit
 1 = Strict reserved addressing is enforced; for reserved addresses, refer to [Table 18-2](#).
 (In Slave Mode) – The device doesn't respond to reserved address space and addresses falling in that category are NACKed.
 (In Master Mode) – The device is allowed to generate addresses with reserved address space.
 0 = Reserved addressing would be Acknowledged.
 (In Slave Mode) – The device will respond to an address falling in the reserved address space. When there is a match with any of the reserved addresses, the device will generate an ACK.
 (In Master Mode) – Reserved.
- bit 10 **A10M:** 10-Bit Slave Address Flag bit
 1 = I2CxADD is a 10-bit slave address
 0 = I2CADD is a 7-bit slave address
- bit 9 **DISSLW:** Slew Rate Control Disable bit
 1 = Slew rate control is disabled for Standard Speed mode (100 kHz, also disabled for 1 MHz mode)
 0 = Slew rate control is enabled for High-Speed mode (400 kHz)
- bit 8 **SMEN:** SMBus Input Levels Enable bit
 1 = Enables input logic so thresholds are compliant with the SMBus specification
 0 = Disables SMBus-specific inputs

Note 1: Automatically cleared to '0' at the beginning of slave transmission; automatically cleared to '0' at the end of slave reception.

2: Automatically cleared to '0' at the beginning of slave transmission.

PIC24FJ256GA412/GB412 FAMILY

REGISTER 18-1: I2CxCONL: I2Cx CONTROL REGISTER LOW (CONTINUED)

- bit 7 **GCEN:** General Call Enable bit (I²C Slave mode only)
1 = Enables interrupt when a general call address is received in I2CxRSR; module is enabled for reception
0 = General call address is disabled.
- bit 6 **STREN:** SCLx Clock Stretch Enable bit
In I²C Slave mode only; used in conjunction with the SCKREL bit.
1 = Enables clock stretching
0 = Disables clock stretching
- bit 5 **ACKDT:** Acknowledge Data bit
In I²C Master mode during Master Receive mode. The value that will be transmitted when the user initiates an Acknowledge sequence at the end of a receive.
In I²C Slave mode when AHEN = 1 or DHEN = 1. The value that the slave will transmit when it initiates an Acknowledge sequence at the end of an address or data reception.
1 = NACK is sent
0 = ACK is sent
- bit 4 **ACKEN:** Acknowledge Sequence Enable bit
In I²C Master mode only; applicable during Master Receive mode.
1 = Initiates Acknowledge sequence on SDAx and SCLx pins, and transmits ACKDT data bit
0 = Acknowledge sequence is Idle
- bit 3 **RCEN:** Receive Enable bit (I²C Master mode only)
1 = Enables Receive mode for I²C; automatically cleared by hardware at end of 8-bit receive data byte
0 = Receive sequence is not in progress
- bit 2 **PEN:** Stop Condition Enable bit (I²C Master mode only)
1 = Initiates Stop condition on SDAx and SCLx pins
0 = Stop condition is Idle
- bit 1 **RSEN:** Restart Condition Enable bit (I²C Master mode only)
1 = Initiates Restart condition on SDAx and SCLx pins
0 = Restart condition is Idle
- bit 0 **SEN:** Start Condition Enable bit (I²C Master mode only)
1 = Initiates Start condition on SDAx and SCLx pins
0 = Start condition is Idle

Note 1: Automatically cleared to '0' at the beginning of slave transmission; automatically cleared to '0' at the end of slave reception.

2: Automatically cleared to '0' at the beginning of slave transmission.

PIC24FJ256GA412/GB412 FAMILY

REGISTER 18-2: I2CxCONH: I2Cx CONTROL REGISTER HIGH

U-0	U-0	U-0	U-0	U-0	U-0	U-0	U-0
—	—	—	—	—	—	—	—
bit 15							bit 8

U-0	R/W-0	R/W-0	R/W-0	R/W-0	R/W-0	R/W-0	R/W-0
—	PCIE	SCIE	BOEN	SDAHT	SBCDE	AHEN	DHEN
bit 7							bit 0

Legend:

R = Readable bit W = Writable bit U = Unimplemented bit, read as '0'
 -n = Value at POR '1' = Bit is set '0' = Bit is cleared x = Bit is unknown

- bit 15-7 **Unimplemented:** Read as '0'
- bit 6 **PCIE:** Stop Condition Interrupt Enable bit (I²C Slave mode only).
 1 = Enables interrupt on detection of Stop condition
 0 = Stop detection interrupts are disabled
- bit 5 **SCIE:** Start Condition Interrupt Enable bit (I²C Slave mode only)
 1 = Enables interrupt on detection of Start or Restart conditions
 0 = Start detection interrupts are disabled
- bit 4 **BOEN:** Buffer Overwrite Enable bit (I²C Slave mode only)
 1 = I2CxRCV is updated and an ACK is generated for a received address/data byte, ignoring the state
 of the I2COV bit only if RBF bit = 0
 0 = I2CxRCV is only updated when I2COV is clear
- bit 3 **SDAHT:** SDAx Hold Time Selection bit
 1 = Minimum of 300 ns hold time on SDAx after the falling edge of SCLx
 0 = Minimum of 100 ns hold time on SDAx after the falling edge of SCLx
- bit 2 **SBCDE:** Slave Mode Bus Collision Detect Enable bit (I²C Slave mode only)
 If, on the rising edge of SCLx, SDAx is sampled low when the module is outputting a high state, the
 BCL bit is set and the bus goes Idle. This detection mode is only valid during data and ACK transmit
 sequences.
 1 = Enables slave bus collision interrupts
 0 = Slave bus collision interrupts are disabled
- bit 1 **AHEN:** Address Hold Enable bit (I²C Slave mode only)
 1 = Following the 8th falling edge of SCLx for a matching received address byte; SCKREL bit
 (I2CxCONH[12]) will be cleared and the SCLx will be held low
 0 = Address holding is disabled
- bit 0 **DHEN:** Data Hold Enable bit (I²C Slave mode only)
 1 = Following the 8th falling edge of SCLx for a received data byte; slave hardware clears the SCKREL
 bit (I2CxCONH[12]) and SCLx is held low
 0 = Data holding is disabled

PIC24FJ256GA412/GB412 FAMILY

REGISTER 18-3: I2CxSTAT: I2Cx STATUS REGISTER

HSC/R-0	HSC/R-0	HSC/R-0	U-0	U-0	HSC/R/C-0	HSC/R-0	HSC/R-0
ACKSTAT	TRSTAT	ACKTIM	—	—	BCL	GCSTAT	ADD10
bit 15						bit 8	

HS/R/C-0	HS/R/C-0	HSC/R-0	HSC/R/C-0	HSC/R/C-0	HSC/R-0	HSC/R-0	HSC/R-0
IWCOL	I2COV	D/ \bar{A}	P	S	R/ \bar{W}	RBF	TBF
bit 7						bit 0	

Legend:	C = Clearable bit	HSC = Hardware Settable/Clearable bit
R = Readable bit	W = Writable bit	U = Unimplemented bit, read as '0'
-n = Value at POR	'1' = Bit is set	'0' = Bit is cleared
		HS = Hardware Settable bit

- bit 15 **ACKSTAT:** Acknowledge Status bit (updated in all Master and Slave modes)
1 = Acknowledge was not received from slave
0 = Acknowledge was received from slave
- bit 14 **TRSTAT:** Transmit Status bit (when operating as I²C master; applicable to master transmit operation)
1 = Master transmit is in progress (8 bits + ACK)
0 = Master transmit is not in progress
- bit 13 **ACKTIM:** Acknowledge Time Status bit (valid in I²C Slave mode only)
1 = Indicates I²C bus is in an Acknowledge sequence, set on 8th falling edge of SCLx clock
0 = Not an Acknowledge sequence, cleared on 9th rising edge of SCLx clock
- bit 12-11 **Unimplemented:** Read as '0'
- bit 10 **BCL:** Bus Collision Detect bit (Master/Slave mode; cleared when I²C module is disabled, I2CEN = 0)
1 = A bus collision has been detected during a master or slave transmit operation
0 = No bus collision has been detected
- bit 9 **GCSTAT:** General Call Status bit (cleared after Stop detection)
1 = General call address was received
0 = General call address was not received
- bit 8 **ADD10:** 10-Bit Address Status bit (cleared after Stop detection)
1 = 10-bit address was matched
0 = 10-bit address was not matched
- bit 7 **IWCOL:** I2Cx Write Collision Detect bit
1 = An attempt to write to the I2CxTRN register failed because the I²C module is busy; must be cleared in software
0 = No collision
- bit 6 **I2COV:** I2Cx Receive Overflow Flag bit
1 = A byte was received while the I2CxRCV register is still holding the previous byte; I2COV is a "don't care" in Transmit mode, must be cleared in software
0 = No overflow
- bit 5 **D/ \bar{A} :** Data/Address bit (when operating as I²C slave)
1 = Indicates that the last byte received was data
0 = Indicates that the last byte received or transmitted was an address
- bit 4 **P:** I2Cx Stop bit
Updated when Start, Reset or Stop is detected; cleared when the I²C module is disabled, I2CEN = 0.
1 = Indicates that a Stop bit has been detected last
0 = Stop bit was not detected last

PIC24FJ256GA412/GB412 FAMILY

REGISTER 18-3: I2CxSTAT: I2Cx STATUS REGISTER (CONTINUED)

- bit 3 **S:** I2Cx Start bit
 Updated when Start, Reset or Stop is detected; cleared when the I²C module is disabled, I2CEN = 0.
 1 = Indicates that a Start (or Repeated Start) bit has been detected last
 0 = Start bit was not detected last
- bit 2 **R/W:** Read/Write Information bit (when operating as I²C slave)
 1 = Read: Indicates the data transfer is output from the slave
 0 = Write: Indicates the data transfer is input to the slave
- bit 1 **RBF:** Receive Buffer Full Status bit
 1 = Receive is complete, I2CxRCV is full
 0 = Receive is not complete, I2CxRCV is empty
- bit 0 **TBF:** Transmit Buffer Full Status bit
 1 = Transmit is in progress, I2CxTRN is full (eight bits of data)
 0 = Transmit is complete, I2CxTRN is empty

REGISTER 18-4: I2CxMSK: I2Cx SLAVE MODE ADDRESS MASK REGISTER

U-0	U-0	U-0	U-0	U-0	U-0	R/W-0	R/W-0
—	—	—	—	—	—	MSK[9:8]	
bit 15						bit 8	

R/W-0	R/W-0	R/W-0	R/W-0	R/W-0	R/W-0	R/W-0	R/W-0
MSK[7:0]							
bit 7						bit 0	

Legend:

R = Readable bit	W = Writable bit	U = Unimplemented bit, read as '0'
-n = Value at POR	'1' = Bit is set	'0' = Bit is cleared x = Bit is unknown

- bit 15-10 **Unimplemented:** Read as '0'
- bit 9-0 **MSK[9:0]:** I2Cx Mask for Address Bit x Select bits
 1 = Enables masking for bit x of the incoming message address; bit match is not required in this position
 0 = Disables masking for bit x; bit match is required in this position

PIC24FJ256GA412/GB412 FAMILY

19.0 UNIVERSAL ASYNCHRONOUS RECEIVER TRANSMITTER (UART)

Note: This data sheet summarizes the features of this group of PIC24F devices. It is not intended to be a comprehensive reference source. For more information, refer to the “*dsPIC33/PIC24 Family Reference Manual*”, “**Universal Asynchronous Receiver Transmitter (UART)**” (www.microchip.com/DS70000582). The information in this data sheet supersedes the information in the FRM.

The Universal Asynchronous Receiver Transmitter (UART) module is one of the serial I/O modules available in the PIC24F device family. The UART is a full-duplex, asynchronous system that can communicate with peripheral devices, such as personal computers, LIN/J2602, RS-232 and RS-485 interfaces. The module also supports a hardware flow control option with the \overline{UxCTS} and \overline{UxRTS} pins. The UART module includes IrDA[®] encoder/decoder unit.

The PIC24FJ256GA412/GB412 family devices are equipped with six UART modules, referred to as UART1 through UART6.

The primary features of the UARTx modules are:

- Full-Duplex, 8 or 9-Bit Data Transmission through the $UxTX$ and $UxRX$ Pins
- Even, Odd or No Parity Options (for 8-bit data)
- One or Two Stop bits
- Hardware Flow Control Option with the \overline{UxCTS} and \overline{UxRTS} Pins

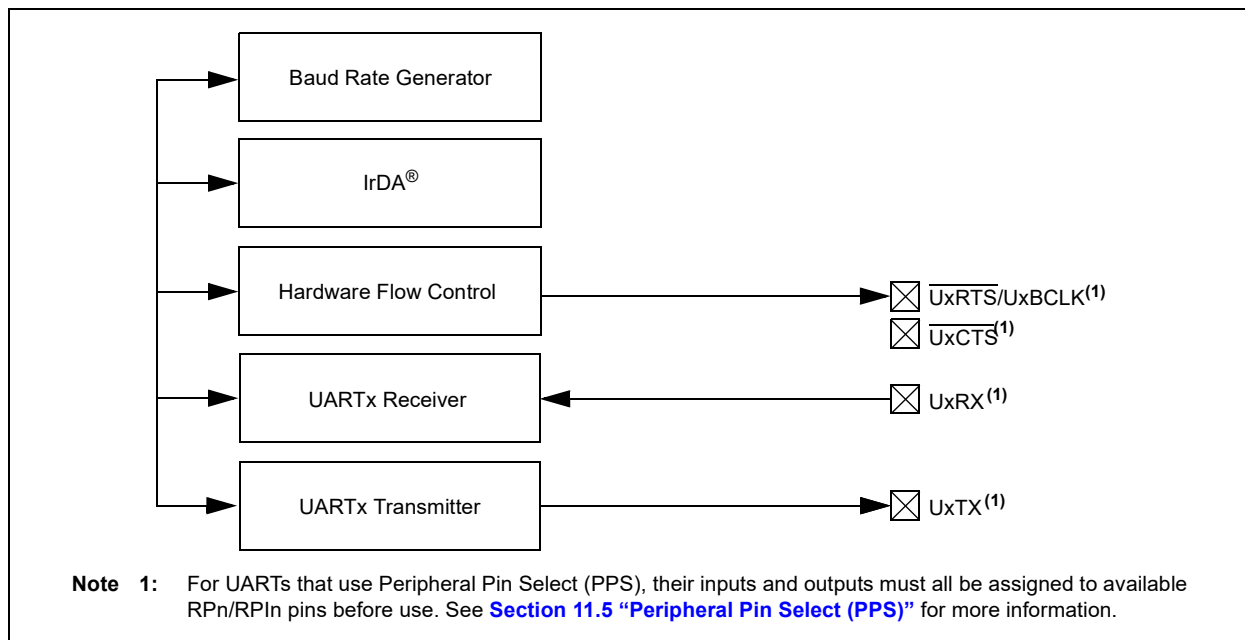
- Fully Integrated Baud Rate Generator with 16-Bit Prescaler
- Baud Rates Range from up to 2.5 Mbps and Down to 38 Hz at 40 MIPS in 16x Mode
- Baud Rates Range from up to 10 Mbps and Down to 152 Hz at 40 MIPS in 4x Mode
- 4-Deep, First-In-First-Out (FIFO) Transmit Data Buffer
- 4-Deep FIFO Receive Data Buffer
- Parity, Framing and Buffer Overrun Error Detection
- Support for 9-Bit Mode with Address Detect (9th bit = 1)
- Separate Transmit and Receive Interrupts
- Loopback Mode for Diagnostic Support
- Polarity Control for Transmit and Receive Lines
- Support for Sync and Break Characters
- Supports Automatic Baud Rate Detection
- IrDA[®] Encoder and Decoder Logic
- Includes DMA Support
- 16x Baud Clock Output for IrDA Support

A simplified block diagram of the UARTx module is shown in Figure 19-1. The UARTx module consists of these key important hardware elements:

- Baud Rate Generator
- Asynchronous Transmitter
- Asynchronous Receiver

Note: Throughout this section, references to register and bit names that may be associated with a specific UART module are referred to generically by the use of ‘x’ in place of the specific module number. Thus, “ $UxSTAL$ ” might refer to the Status Low register for either UART1, UART2, UART3 or UART4.

FIGURE 19-1: UARTx SIMPLIFIED BLOCK DIAGRAM



PIC24FJ256GA412/GB412 FAMILY

19.1 UARTx Baud Rate Generator (BRG)

The UARTx module includes a dedicated, 16-bit Baud Rate Generator. The UxBRG register controls the period of a free-running, 16-bit timer. Equation 19-1 shows the formula for computation of the baud rate when BRGH = 0.

EQUATION 19-1: UARTx BAUD RATE WITH BRGH = 0^(1,2)

$$\text{Baud Rate} = \frac{\text{FCY}}{16 \cdot (\text{UxBRG} + 1)}$$
$$\text{UxBRG} = \frac{\text{FCY}}{16 \cdot \text{Baud Rate}} - 1$$

- Note 1:** FCY denotes the instruction cycle clock frequency (FOSC/2).
- 2:** Based on FCY = FOSC/2; Doze mode and PLL are disabled.

Example 19-1 shows the calculation of the baud rate error for the following conditions:

- FCY = 4 MHz
- Desired Baud Rate = 9600

The maximum baud rate (BRGH = 0) possible is FCY/16 (for UxBRG = 0) and the minimum baud rate possible is FCY/(16 * 65536).

Equation 19-2 shows the formula for computation of the baud rate when BRGH = 1.

EQUATION 19-2: UARTx BAUD RATE WITH BRGH = 1^(1,2)

$$\text{Baud Rate} = \frac{\text{FCY}}{4 \cdot (\text{UxBRG} + 1)}$$
$$\text{UxBRG} = \frac{\text{FCY}}{4 \cdot \text{Baud Rate}} - 1$$

- Note 1:** FCY denotes the instruction cycle clock frequency.
- 2:** Based on FCY = FOSC/2; Doze mode and PLL are disabled.

The maximum baud rate (BRGH = 1) possible is FCY/4 (for UxBRG = 0) and the minimum baud rate possible is FCY/(4 * 65536).

Writing a new value to the UxBRG register causes the BRG timer to be reset (cleared). This ensures the BRG does not wait for a timer overflow before generating the new baud rate.

EXAMPLE 19-1: BAUD RATE ERROR CALCULATION (BRGH = 0)⁽¹⁾

$$\begin{aligned} \text{Desired Baud Rate} &= \text{FCY}/(16 (\text{UxBRG} + 1)) \\ \text{Solving for UxBRG Value:} \\ \text{UxBRG} &= ((\text{FCY}/\text{Desired Baud Rate})/16) - 1 \\ \text{UxBRG} &= ((4000000/9600)/16) - 1 \\ \text{UxBRG} &= 25 \\ \text{Calculated Baud Rate} &= 4000000/(16 (25 + 1)) \\ &= 9615 \\ \text{Error} &= (\text{Calculated Baud Rate} - \text{Desired Baud Rate}) \\ &\quad \text{Desired Baud Rate} \\ &= (9615 - 9600)/9600 \\ &= 0.16\% \end{aligned}$$

- Note 1:** Based on FCY = FOSC/2; Doze mode and PLL are disabled.

PIC24FJ256GA412/GB412 FAMILY

19.2 Transmitting in 8-Bit Data Mode

1. Set up the UARTx:
 - a) Write appropriate values for data, parity and Stop bits.
 - b) Write appropriate baud rate value to the UxBRG register.
 - c) Set up transmit and receive interrupt enable and priority bits.
2. Enable the UARTx.
3. Set the UTXEN bit (causes a transmit interrupt, two cycles after being set).
4. Write a data byte to the lower byte of the UxTXREG word. The value will be immediately transferred to the Transmit Shift Register (TSR) and the serial bit stream will start shifting out with the next rising edge of the baud clock.
5. Alternatively, the data byte may be transferred while UTXEN = 0 and then the user may set UTXEN. This will cause the serial bit stream to begin immediately because the baud clock will start from a cleared state.
6. A transmit interrupt will be generated as per interrupt control bits, UTXISEL[1:0].

19.3 Transmitting in 9-Bit Data Mode

1. Set up the UARTx (as described in [Section 19.2 “Transmitting in 8-Bit Data Mode”](#)).
2. Enable the UARTx.
3. Set the UTXEN bit (causes a transmit interrupt).
4. Write UxTXREG as a 16-bit value only.
5. A word write to UxTXREG triggers the transfer of the 9-bit data to the TSR. The serial bit stream will start shifting out with the first rising edge of the baud clock.
6. A transmit interrupt will be generated as per the setting of control bits, UTXISELx.

19.4 Break and Sync Transmit Sequence

The following sequence will send a message frame header, made up of a Break, followed by an auto-baud Sync byte.

1. Configure the UARTx for the desired mode.
2. Set UTXEN and UTXBRK to set up the Break character.
3. Load the UxTXREG with a dummy character to initiate transmission (value is ignored).
4. Write 55h to UxTXREG; this loads the Sync character into the transmit FIFO.
5. After the Break has been sent, the UTXBRK bit is reset by hardware. The Sync character now transmits.

19.5 Receiving in 8-Bit or 9-Bit Data Mode

1. Set up the UARTx (as described in [Section 19.2 “Transmitting in 8-Bit Data Mode”](#)).
2. Enable the UARTx.
3. Set the URXEN bit (UxSTAL[12]).
4. A receive interrupt will be generated when one or more data characters have been received as per interrupt control bits, URXISEL[1:0].
5. Read the OERR bit to determine if an overrun error has occurred. The OERR bit must be reset in software.
6. Read UxRXREG.

The act of reading the UxRXREG character will move the next character to the top of the receive FIFO, including a new set of PERR and FERR values.

19.6 Operation of UxCTS and UxRTS Control Pins

UARTx Clear-to-Send ($\overline{\text{UxCTS}}$) and Request-to-Send (UxRTS) are the two hardware controlled pins that are associated with the UARTx modules. These two pins allow the UARTx to operate in Simplex and Flow Control mode. They are implemented to control the transmission and reception between the Data Terminal Equipment (DTE). The UEN[1:0] bits in the UxMODE register configure these pins.

19.7 Infrared Support

The UARTx module provides two types of infrared UART support: one is the IrDA clock output to support an external IrDA encoder and decoder device (legacy module support), and the other is the full implementation of the IrDA encoder and decoder. Note that because the IrDA modes require a 16x baud clock, they will only work when the BRGH bit (UxMODE[3]) is '0'.

19.7.1 IrDA CLOCK OUTPUT FOR EXTERNAL IrDA SUPPORT

To support external IrDA encoder and decoder devices, the UxBCLK pin (same as the UxRTS pin) can be configured to generate the 16x baud clock. With UEN[1:0] = 11, the UxBCLK pin will output the 16x baud clock if the UARTx module is enabled. It can be used to support the IrDA codec chip.

19.7.2 BUILT-IN IrDA ENCODER AND DECODER

The UARTx has full implementation of the IrDA encoder and decoder as part of the UARTx module. The built-in IrDA encoder and decoder functionality is enabled using the IREN bit (UxMODE[12]). When enabled (IREN = 1), the receive pin (UxRX) acts as the input from the infrared receiver. The transmit pin (UxTX) acts as the output to the infrared transmitter.

PIC24FJ256GA412/GB412 FAMILY

REGISTER 19-1: UxMODE: UARTx MODE REGISTER

R/W-0	U-0	R/W-0	R/W-0	R/W-0	U-0	R/W-0	R/W-0
UARTEN ⁽¹⁾	—	USIDL	IREN ⁽²⁾	RTSMD	—	UEN1	UEN0
bit 15						bit 8	

HC/R/W-0	R/W-0	HC/R/W-0	R/W-0	R/W-0	R/W-0	R/W-0	R/W-0
WAKE	LPBACK	ABAUD	URXINV	BRGH	PDSEL1	PDSEL0	STSEL
bit 7						bit 0	

Legend:	HC = Hardware Clearable bit
R = Readable bit	W = Writable bit
-n = Value at POR	'1' = Bit is set
	U = Unimplemented bit, read as '0'
	'0' = Bit is cleared
	x = Bit is unknown

- bit 15 **UARTEN:** UARTx Enable bit⁽¹⁾
 1 = UARTx is enabled; all UARTx pins are controlled by UARTx as defined by UEN[1:0]
 0 = UARTx is disabled; all UARTx pins are controlled by port latches; UARTx power consumption is minimal
- bit 14 **Unimplemented:** Read as '0'
- bit 13 **USIDL:** UARTx Stop in Idle Mode bit
 1 = Discontinues module operation when device enters Idle mode
 0 = Continues module operation in Idle mode
- bit 12 **IREN:** IrDA[®] Encoder and Decoder Enable bit⁽²⁾
 1 = IrDA encoder and decoder are enabled
 0 = IrDA encoder and decoder are disabled
- bit 11 **RTSMD:** Mode Selection for $\overline{\text{UxRTS}}$ Pin bit
 1 = $\overline{\text{UxRTS}}$ pin is in Simplex mode
 0 = $\overline{\text{UxRTS}}$ pin is in Flow Control mode
- bit 10 **Unimplemented:** Read as '0'
- bit 9-8 **UEN[1:0]:** UARTx Enable bits
 11 = UxTX, UxRX and UxBCLK pins are enabled and used; $\overline{\text{UxCTS}}$ pin is controlled by port latches
 10 = UxTX, UxRX, $\overline{\text{UxCTS}}$ and $\overline{\text{UxRTS}}$ pins are enabled and used
 01 = UxTX, UxRX and $\overline{\text{UxRTS}}$ pins are enabled and used; $\overline{\text{UxCTS}}$ pin is controlled by port latches
 00 = UxTX and UxRX pins are enabled and used; $\overline{\text{UxCTS}}$ and $\overline{\text{UxRTS}}$ /UxBCLK pins are controlled by port latches
- bit 7 **WAKE:** Wake-up on Start Bit Detect During Sleep Mode Enable bit
 1 = UARTx continues to sample the UxRX pin; interrupt is generated on the falling edge, bit is cleared in hardware on the following rising edge
 0 = No wake-up is enabled
- bit 6 **LPBACK:** UARTx Loopback Mode Select bit
 1 = Enables Loopback mode
 0 = Loopback mode is disabled
- bit 5 **ABAUD:** Auto-Baud Enable bit
 1 = Enables baud rate measurement on the next character – requires reception of a Sync field (55h); cleared in hardware upon completion
 0 = Baud rate measurement is disabled or completed

Note 1: If UARTEN = 1, the peripheral inputs and outputs must be configured to an available RPN/RPI pin. For more information, see [Section 11.5 “Peripheral Pin Select \(PPS\)”](#).

2: This feature is only available for the 16x BRG mode (BRGH = 0).

PIC24FJ256GA412/GB412 FAMILY

REGISTER 19-1: UxMODE: UARTx MODE REGISTER (CONTINUED)

- bit 4 **URXINV:** UARTx Receive Polarity Inversion bit
1 = UxRX Idle state is '0'
0 = UxRX Idle state is '1'
- bit 3 **BRGH:** High Baud Rate Enable bit
1 = High-Speed mode (4 BRG clock cycles per bit)
0 = Standard Speed mode (16 BRG clock cycles per bit)
- bit 2-1 **PDSEL[1:0]:** Parity and Data Selection bits
11 = 9-bit data, no parity
10 = 8-bit data, odd parity
01 = 8-bit data, even parity
00 = 8-bit data, no parity
- bit 0 **STSEL:** Stop Bit Selection bit
1 = Two Stop bits
0 = One Stop bit

- Note 1:** If `UARTEN = 1`, the peripheral inputs and outputs must be configured to an available `RPn/RPIn` pin. For more information, see [Section 11.5 “Peripheral Pin Select \(PPS\)”](#).
- 2:** This feature is only available for the 16x BRG mode (`BRGH = 0`).

PIC24FJ256GA412/GB412 FAMILY

REGISTER 19-2: UxSTAL: UARTx STATUS LOW AND CONTROL REGISTER

R/W-0	R/W-0	R/W-0	R/W-0	HC/R/W-0	R/W-0	HSC/R-0	HSC/R-1
UTXISEL1	UTXINV ⁽¹⁾	UTXISEL0	URXEN	UTXBRK	UTXEN ⁽²⁾	UTXBF	TRMT
bit 15						bit 8	

R/W-0	R/W-0	R/W-0	HSC/R-1	HSC/R-0	HSC/R-0	HS/R/C-0	HSC/R-0
URXISEL1	URXISEL0	ADDEN	RIDLE	PERR	FERR	OERR	URXDA
bit 7						bit 0	

Legend:	C = Clearable bit	HSC = Hardware Settable/Clearable bit
R = Readable bit	W = Writable bit	U = Unimplemented bit, read as '0'
-n = Value at POR	'1' = Bit is set	'0' = Bit is cleared
HS = Hardware Settable bit	HC = Hardware Clearable bit	x = Bit is unknown

- bit 15,13 **UTXISEL[1:0]:** UARTx Transmission Interrupt Mode Selection bits
 11 = Reserved; do not use
 10 = Interrupt when a character is transferred to the Transmit Shift Register (TSR), and as a result, the transmit buffer becomes empty
 01 = Interrupt when the last character is shifted out of the Transmit Shift Register; all transmit operations are completed
 00 = Interrupt when a character is transferred to the Transmit Shift Register (this implies there is at least one character open in the transmit buffer)
- bit 14 **UTXINV:** UARTx IrDA[®] Encoder Transmit Polarity Inversion bit⁽¹⁾
 For IREN = 0:
 1 = UxTX Idle state is '0'
 0 = UxTX Idle state is '1'
 For IREN = 1:
 1 = UxTX Idle state is '1'
 0 = UxTX Idle state is '0'
- bit 12 **URXEN:** UARTx Receive Enable bit
 1 = Receive is enabled, UxRX pin is controlled by UARTx
 0 = Receive is disabled, UxRX pin is controlled by the port
- bit 11 **UTXBRK:** UARTx Transmit Break bit
 1 = Sends Sync Break on next transmission – Start bit, followed by twelve '0' bits, followed by Stop bit; cleared by hardware upon completion
 0 = Sync Break transmission is disabled or completed
- bit 10 **UTXEN:** UARTx Transmit Enable bit⁽²⁾
 1 = Transmit is enabled, UxTX pin is controlled by UARTx
 0 = Transmit is disabled, any pending transmission is aborted and the buffer is reset; UxTX pin is controlled by the port
- bit 9 **UTXBF:** UARTx Transmit Buffer Full Status bit (read-only)
 1 = Transmit buffer is full
 0 = Transmit buffer is not full, at least one more character can be written
- bit 8 **TRMT:** Transmit Shift Register Empty bit (read-only)
 1 = Transmit Shift Register is empty and transmit buffer is empty (the last transmission has completed)
 0 = Transmit Shift Register is not empty, a transmission is in progress or queued

Note 1: The value of this bit only affects the transmit properties of the module when the IrDA encoder is enabled (IREN = 1).

2: If UARTEN = 1, the peripheral inputs and outputs must be configured to an available RPN/RPIN pin. For more information, see [Section 11.5 “Peripheral Pin Select \(PPS\)”](#).

PIC24FJ256GA412/GB412 FAMILY

REGISTER 19-2: UxSTAL: UARTx STATUS LOW AND CONTROL REGISTER (CONTINUED)

bit 7-6	URXISEL[1:0]: UARTx Receive Interrupt Mode Selection bits 11 = Interrupt is set on an RSR transfer, making the receive buffer full (i.e., has four data characters) 10 = Interrupt is set on an RSR transfer, making the receive buffer 3/4 full (i.e., has three data characters) 0x = Interrupt is set when any character is received and transferred from the RSR to the receive buffer; receive buffer has one or more characters
bit 5	ADDEN: Address Character Detect bit (bit 8 of received data = 1) 1 = Address Detect mode is enabled (if 9-bit mode is not selected, this does not take effect) 0 = Address Detect mode is disabled
bit 4	RIDLE: Receiver Idle bit (read-only) 1 = Receiver is Idle 0 = Receiver is active
bit 3	PERR: Parity Error Status bit (read-only) 1 = Parity error has been detected for the current character (the character at the top of the receive FIFO) 0 = Parity error has not been detected
bit 2	FERR: Framing Error Status bit (read-only) 1 = Framing error has been detected for the current character (the character at the top of the receive FIFO) 0 = Framing error has not been detected
bit 1	OERR: Receive Buffer Overrun Error Status bit (clear/read-only) 1 = Receive buffer has overflowed 0 = Receive buffer has not overflowed (clearing a previously set OERR bit (1 → 0 transition) will reset the receive buffer and the RSR to the empty state
bit 0	URXDA: UARTx Receive Buffer Data Available bit (read-only) 1 = Receive buffer has data, at least one more character can be read 0 = Receive buffer is empty

- Note 1:** The value of this bit only affects the transmit properties of the module when the IrDA encoder is enabled (IREN = 1).
- 2:** If UARTEN = 1, the peripheral inputs and outputs must be configured to an available RPN/RPIn pin. For more information, see [Section 11.5 “Peripheral Pin Select \(PPS\)”](#).

REGISTER 19-3: UxSTAH: UARTx STATUS HIGH AND CONTROL REGISTER

R/W-0	R/W-0	R/W-0	R/W-0	R/W-0	R/W-0	R/W-0	R/W-0
ADMASK[7:0]							
bit 15							bit 8

R/W-0	R/W-0	R/W-0	R/W-0	R/W-0	R/W-0	R/W-0	R/W-0
ADMADDR[7:0]							
bit 7							bit 0

Legend:

R = Readable bit	W = Writable bit	U = Unimplemented bit, read as '0'
-n = Value at POR	'1' = Bit is set	'0' = Bit is cleared x = Bit is unknown

bit 15-8	ADMASK[7:0]: ADMADDR[7:0] Masking bits 1 = Corresponding ADMADDRx bit is used to detect the address match 0 = Corresponding ADMADDRx bit is not used to detect the address match
bit 7-0	ADMADDR[7:0]: Address Detect Task Off-Load bits Used with the ADMASK[7:0] bits to off-load the task of detecting the address character from the processor during Address Detect mode.

PIC24FJ256GA412/GB412 FAMILY

REGISTER 19-4: UxTXREG: UARTx TRANSMIT REGISTER (NORMALLY WRITE-ONLY)

W-x	U-0	U-0	U-0	U-0	U-0	U-0	W-x
LAST ⁽¹⁾	—	—	—	—	—	—	TX8
bit 15							bit 8

W-x	W-x	W-x	W-x	W-x	W-x	W-x	W-x
TX[7:0]							
bit 7							bit 0

Legend:

R = Readable bit W = Writable bit U = Unimplemented bit, read as '0'
 -n = Value at POR '1' = Bit is set '0' = Bit is cleared x = Bit is unknown

bit 15 **LAST:** Last Byte Indicator for Smart Card Support bit⁽¹⁾
 bit 14-9 **Unimplemented:** Read as '0'
 bit 8 **TX8:** Data of the Transmitted Character bit (in 9-bit mode)
 bit 7-0 **TX[7:0]:** Data of the Transmitted Character bits

Note 1: This bit is only available for UART1 and UART2.

PIC24FJ256GA412/GB412 FAMILY

REGISTER 19-5: UxSCCON: UARTx SMART CARD CONTROL REGISTER⁽¹⁾

U-0	U-0	U-0	U-0	U-0	U-0	U-0	U-0
—	—	—	—	—	—	—	—
bit 15						bit 8	

U-0	U-0	R/W-0	R/W-0	R/W-0	R/W-0	R/W-0	R/W-0
—	—	TXRPT1 ⁽²⁾	TXRPT0 ⁽²⁾	CONV	T0PD ⁽²⁾	PTRCL	SCEN
bit 7						bit 0	

Legend:

R = Readable bit W = Writable bit U = Unimplemented bit, read as '0'
 -n = Value at POR '1' = Bit is set '0' = Bit is cleared x = Bit is unknown

- bit 15-6 **Unimplemented:** Read as '0'
- bit 5-4 **TXRPT[1:0]:** Transmit Repeat Selection bits⁽²⁾
 - 11 = Retransmits the error byte four times
 - 10 = Retransmits the error byte three times
 - 01 = Retransmits the error byte twice
 - 00 = Retransmits the error byte once
- bit 3 **CONV:** Logic Convention Selection bit
 - 1 = Inverse logic convention
 - 0 = Direct logic convention
- bit 2 **T0PD:** Pull-Down Duration for T = 0 Error Handling bit⁽²⁾
 - 1 = Two ETUs
 - 0 = One ETU
- bit 1 **PTRCL:** Smart Card Protocol Selection bit
 - 1 = T = 1 protocol
 - 0 = T = 0 protocol
- bit 0 **SCEN:** Smart Card Mode Enable bit
 - 1 = Smart Card mode is enabled if UARTEN (UxMODE[15]) = 1
 - 0 = Smart Card mode is disabled

- Note 1:** This register is only available for UART1 and UART2.
Note 2: These bits are applicable to T = 0 only, see the PTRCL bit (UxSCCON[1]).

PIC24FJ256GA412/GB412 FAMILY

REGISTER 19-6: UxSCINT: UARTx SMART CARD INTERRUPT REGISTER⁽¹⁾

U-0	U-0	R/W-0	R/W-0	U-0	U-0	R/W-0	R/W-0
—	—	RXRPTIF ⁽²⁾	TXRPTIF ⁽²⁾	—	—	WTCIF	GTCIF
bit 15							bit 8

U-0	R/W-0	R/W-0	R/W-0	U-0	U-0	R/W-0	R/W-0
—	PARIE ⁽²⁾	RXRPTIE ⁽²⁾	TXRPTIE ⁽²⁾	—	—	WTCIE	GTCIE
bit 7							bit 0

Legend:

R = Readable bit W = Writable bit U = Unimplemented bit, read as '0'
-n = Value at POR '1' = Bit is set '0' = Bit is cleared x = Bit is unknown

- bit 15-14 **Unimplemented:** Read as '0'
- bit 13 **RXRPTIF:** Receive Repeat Interrupt Flag bit⁽²⁾
1 = Parity error has persisted after the same character has been received five times (four retransmits)
0 = Flag is cleared
- bit 12 **TXRPTIF:** Transmit Repeat Interrupt Flag bit⁽²⁾
1 = Line error has been detected after the last retransmit per TXRPT[1:0], see [Register 19-5](#)
0 = Flag is cleared
- bit 11-10 **Unimplemented:** Read as '0'
- bit 9 **WTCIF:** Waiting Time Counter (WTC) Interrupt Flag bit
1 = Waiting Time Counter has reached 0
0 = Waiting Time Counter has not reached 0
- bit 8 **GTCIF:** Guard Time Counter (GTC) Interrupt Flag bit
1 = Guard Time Counter has reached 0
0 = Guard Time Counter has not reached 0
- bit 7 **Unimplemented:** Read as '0'
- bit 6 **PARIE:** Parity Interrupt Enable bit⁽²⁾
1 = An interrupt is invoked when a character is received with a parity error, see the PERR bit (UxSTAL[3]) in [Register 19-2](#) for the interrupt flag
0 = Interrupt is disabled
- bit 5 **RXRPTIE:** Receive Repeat Interrupt Enable bit⁽²⁾
1 = An interrupt is invoked when a parity error has persisted after the same character has been received five times (four retransmits)
0 = Interrupt is disabled
- bit 4 **TXRPTIE:** Transmit Repeat Interrupt Enable bit⁽²⁾
1 = An interrupt is invoked when a line error is detected after the last retransmit per the TXRPT[1:0] bits has been completed, see [Register 19-5](#)
0 = Interrupt is disabled
- bit 3-2 **Unimplemented:** Read as '0'
- bit 1 **WTCIE:** Waiting Time Counter Interrupt Enable bit
1 = Waiting Time Counter interrupt is enabled
0 = Waiting Time Counter interrupt is disabled
- bit 0 **GTCIE:** Guard Time Counter Interrupt Enable bit
1 = Guard Time Counter interrupt is enabled
0 = Guard Time Counter interrupt is disabled

Note 1: This register is only available for UART1 and UART2.

2: This bit is applicable to T = 0 only, see the PTRCL bit (UxSCCON[1]).

PIC24FJ256GA412/GB412 FAMILY

REGISTER 19-7: UxGTC: UARTx GUARD TIME COUNTER REGISTER⁽¹⁾

U-0	U-0	U-0	U-0	U-0	U-0	U-0	R/W-0
—	—	—	—	—	—	—	GTC8
bit 15							bit 8

R/W-0	R/W-0	R/W-0	R/W-0	R/W-0	R/W-0	R/W-0	R/W-0
GTC[7:0]							
bit 7							bit 0

Legend:

R = Readable bit

W = Writable bit

U = Unimplemented bit, read as '0'

-n = Value at POR

'1' = Bit is set

'0' = Bit is cleared

x = Bit is unknown

bit 15-9 **Unimplemented:** Read as '0'

bit 8-0 **GTC[8:0]:** Guard Time Counter bits

This counter is operated on the bit clock whose period is always equal to one ETU.

Note 1: This register is only available for UART1 and UART2.

PIC24FJ256GA412/GB412 FAMILY

REGISTER 19-8: UxWTCL: UARTx WAITING TIME COUNTER REGISTER (LOWER BITS)⁽¹⁾

R/W-0	R/W-0	R/W-0	R/W-0	R/W-0	R/W-0	R/W-0	R/W-0
WTC[15:8]							
bit 15							bit 8

R/W-0	R/W-0	R/W-0	R/W-0	R/W-0	R/W-0	R/W-0	R/W-0
WTC[7:0]							
bit 7							bit 0

Legend:

R = Readable bit W = Writable bit U = Unimplemented bit, read as '0'
 -n = Value at POR '1' = Bit is set '0' = Bit is cleared x = Bit is unknown

bit 15-0 **WTC[15:0]:** Waiting Time Counter bits
 This counter is operated on the bit clock whose period is always equal to one ETU.

Note 1: This register is only available for UART1 and UART2.

REGISTER 19-9: UxWTCH: WAITING TIME COUNTER REGISTER (UPPER BITS)⁽¹⁾

U-0	U-0	U-0	U-0	U-0	U-0	U-0	U-0
—							
bit 15							bit 8

R/W-0	R/W-0	R/W-0	R/W-0	R/W-0	R/W-0	R/W-0	R/W-0
WTC[23:16]							
bit 7							bit 0

Legend:

R = Readable bit W = Writable bit U = Unimplemented bit, read as '0'
 -n = Value at POR '1' = Bit is set '0' = Bit is cleared x = Bit is unknown

bit 15-8 **Unimplemented:** Read as '0'
 bit 7-0 **WTC[23:16]:** Waiting Time Counter bits
 This counter is operated on the bit clock whose period is always equal to one ETU.

Note 1: This register is only available for UART1 and UART2.

PIC24FJ256GA412/GB412 FAMILY

20.0 UNIVERSAL SERIAL BUS WITH ON-THE-GO SUPPORT (USB OTG)

Note: This data sheet summarizes the features of this group of PIC24F devices. It is not intended to be a comprehensive reference source. For more information, refer to the “*dsPIC33/PIC24 Family Reference Manual*”, “**USB On-The-Go (OTG)**” (www.microchip.com/DS39721). The information in this data sheet supersedes the information in the FRM.

PIC24FJ256GB412 family devices contain a full-speed and low-speed compatible, On-The-Go (OTG) USB Serial Interface Engine (SIE). The OTG capability allows the device to act as either a USB peripheral device or as a USB embedded host with limited host capabilities. The OTG capability allows the device to dynamically switch from device to host operation using OTG’s Host Negotiation Protocol (HNP).

For more details on OTG operation, refer to the “*On-The-Go Supplement*” to the “*USB 2.0 Specification*”, published by the USB-IF. For more details on USB operation, refer to the “*Universal Serial Bus Specification*”, v2.0.

Note: USB functionality is not available on PIC24FJ256GA412 family devices.

The USB OTG module offers these features:

- USB Functionality in Device and Host Modes, and OTG Capabilities for Application-Controlled Mode Switching
- Software-Selectable Module Speeds of Full Speed (12 Mbps) or Low Speed (1.5 Mbps, available in Host mode only)
- Support for All Four USB Transfer Types: Control, Interrupt, Bulk and Isochronous
- 16 Bidirectional Endpoints for a Total of 32 Unique Endpoints
- DMA Interface for Data RAM Access
- Queues up to Sixteen Unique Endpoint Transfers without Servicing
- Integrated, On-Chip USB Transceiver with Support for Off-Chip Transceivers via a Digital Interface
- Integrated VBUS Generation with On-Chip Comparators and Boost Generation, and Support of External VBUS Comparators and Regulators through a Digital Interface
- Configurations for On-chip Bus Pull-up and Pull-Down Resistors

A simplified block diagram of the USB OTG module is shown in [Figure 20-1](#).

The USB OTG module can function as a USB peripheral device or as a USB host, and may dynamically switch between Device and Host modes under software control. In either mode, the same data paths and Buffer Descriptors (BDs) are used for the transmission and reception of data.

In discussing USB operation, this section will use a controller-centric nomenclature for describing the direction of the data transfer between the microcontroller and the USB. RX (Receive) will be used to describe transfers that move data from the USB to the microcontroller and TX (Transmit) will be used to describe transfers that move data from the microcontroller to the USB. [Table 20-1](#) shows the relationship between data direction in this nomenclature and the USB tokens exchanged.

TABLE 20-1: CONTROLLER-CENTRIC DATA DIRECTION FOR USB HOST OR TARGET

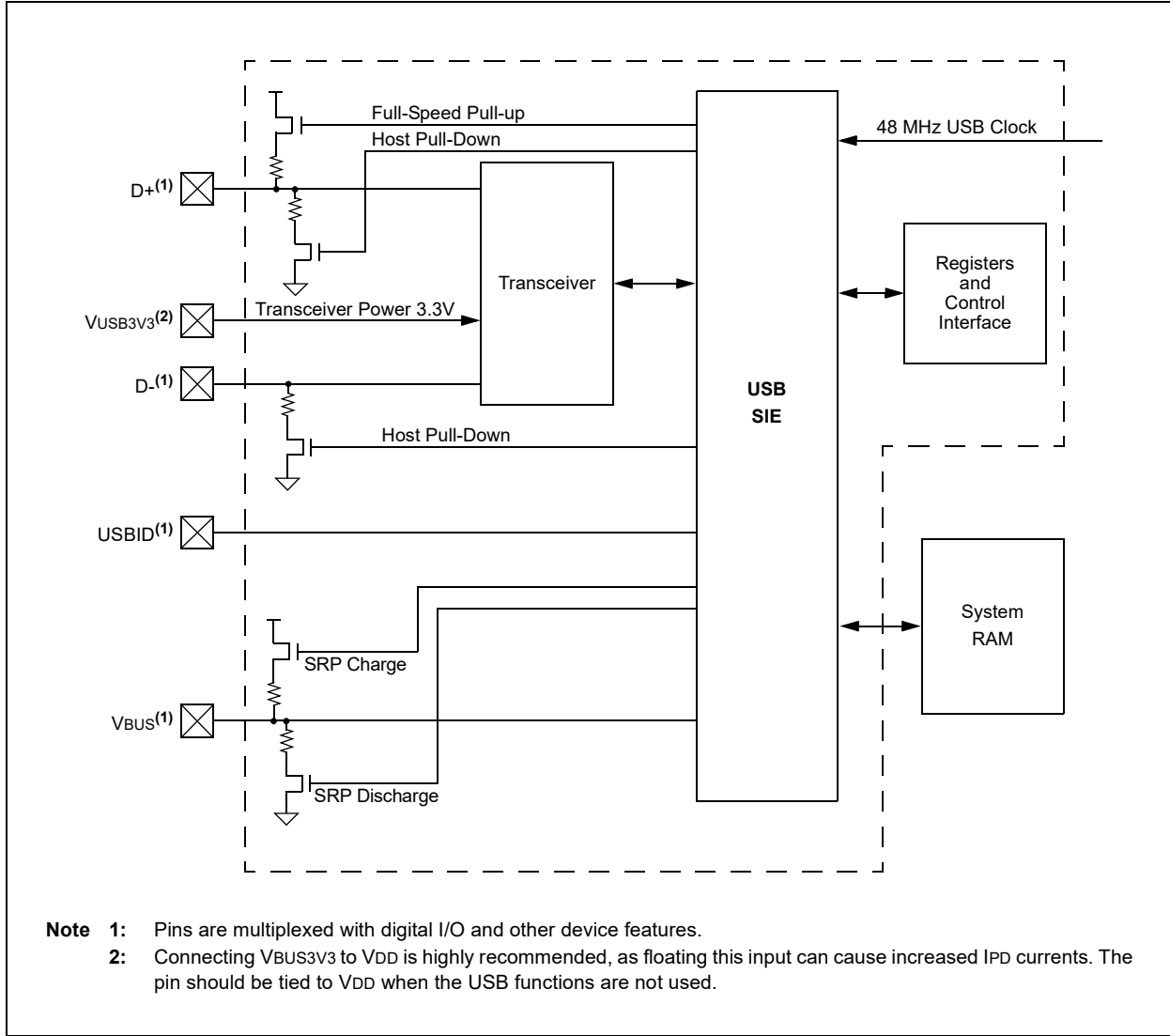
USB Mode	Direction	
	RX	TX
Device	OUT or SETUP	IN
Host	IN	OUT or SETUP

This chapter presents the most basic operations needed to implement USB OTG functionality in an application. A complete and detailed discussion of the USB protocol and its OTG supplement are beyond the scope of this data sheet. It is assumed that the user already has a basic understanding of USB architecture and the latest version of the protocol.

Not all steps for proper USB operation (such as device enumeration) are presented here. It is recommended that application developers use an appropriate device driver to implement all of the necessary features. Microchip provides a number of application-specific resources, such as USB firmware and driver support. Refer to www.microchip.com/usb for the latest firmware and driver support.

PIC24FJ256GA412/GB412 FAMILY

FIGURE 20-1: USB OTG MODULE BLOCK DIAGRAM



PIC24FJ256GA412/GB412 FAMILY

20.1 Hardware Configuration

20.1.1 DEVICE MODE

20.1.1.1 D+ Pull-up Resistor

PIC24FJ256GA412/GB412 family devices have a built-in 1.5 k Ω resistor on the D+ line that is available when the microcontroller is operating in Device mode. This is used to signal an external host that the device is operating in Full-Speed Device mode. It is engaged by setting the USBEN bit (U1CON[0]) and powering up the USB module (USBPWR = 1). If the OTGEN bit (U1OTGCON[2]) is set, then the D+ pull-up is enabled through the DPPULUP bit (U1OTGCON[7]).

20.1.1.2 The VBUS Pin

In order to meet the USB 2.0 specification requirement, relating to the back drive voltage on the D+/D- pins, the USB module incorporates VBUS-level sensing comparators. When the comparators detect the VBUS level below the VA_SESS_VLD level, the hardware will automatically disable the D+ pull-up resistor described in [Section 20.1.1.1 “D+ Pull-up Resistor”](#). This allows the device to automatically meet the back drive requirement for D+ and D-, even if the application firmware does not explicitly monitor the VBUS level. Therefore, the VBUS microcontroller pin should not be left floating in USB Device mode application designs, and should normally be connected to the VBUS pin on the USB connector/cable (either directly or through a small resistance ≤ 100 ohms).

20.1.1.3 Power Modes

Many USB applications will likely have several different sets of power requirements and configuration. The most common power modes encountered are:

- Bus Power Only mode
- Self-Power Only mode
- Dual Power with Self-Power Dominance mode

Bus Power Only mode ([Figure 20-2](#)) is effectively the simplest method. All power for the application is drawn from the USB.

To meet the inrush current requirements of the “*USB 2.0 OTG Specification*”, the total effective capacitance, appearing across VBUS and ground, must be no more than 10 μ F.

In the USB Suspend mode, devices must consume no more than 2.5 mA from the 5V VBUS line of the USB cable. During the USB Suspend mode, the D+ or D- pull-up resistor must remain active, which will consume some of the allowed suspend current.

In Self-Power Only mode ([Figure 20-3](#)), the USB application provides its own power, with very little power being pulled from the USB. Note that an attach indication is added to indicate when the USB has been connected and the host is actively powering VBUS.

To meet compliance specifications, the USB module (and the D+ or D- pull-up resistor) should not be enabled until the host actively drives VBUS high. One of the 5.5V tolerant I/O pins may be used for this purpose.

The application should never source any current onto the 5V VBUS pin of the USB cable when the USB module is operated in USB Device mode.

The Dual Power with Self-Power Dominance mode ([Figure 20-4](#)) allows the application to use internal power primarily, but switch to power from the USB when no internal power is available. Dual power devices must also meet all of the special requirements for inrush current and Suspend mode current previously described, and must not enable the USB module until VBUS is driven high.

FIGURE 20-2: BUS POWER ONLY INTERFACE EXAMPLE

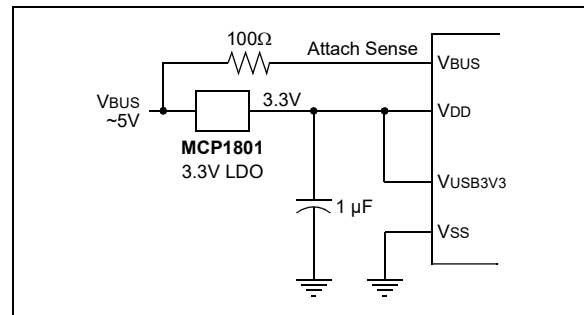


FIGURE 20-3: SELF-POWER ONLY

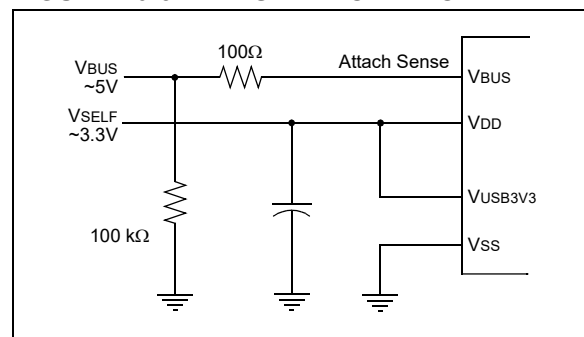
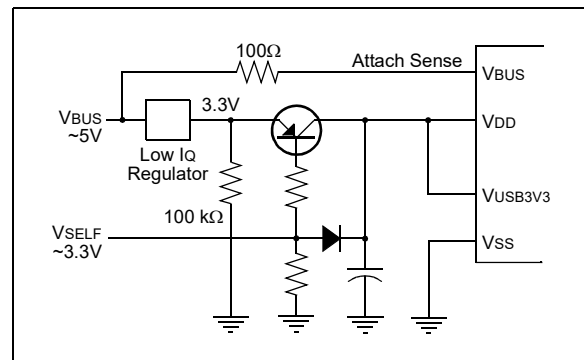


FIGURE 20-4: DUAL POWER EXAMPLE



PIC24FJ256GA412/GB412 FAMILY

20.1.2 HOST AND OTG MODES

20.1.2.1 D+ and D- Pull-Down Resistors

PIC24FJ256GA412/GB412 family devices have a built-in 15 k Ω pull-down resistor on the D+ and D- lines. These are used in tandem to signal to the bus that the microcontroller is operating in Host mode. They are engaged by setting the HOSTEN bit (U1CON[3]). If the OTGEN bit (U1OTGCON[2]) is set, then these pull-downs are enabled by setting the DPPULDWN and DMPULDWN bits (U1OTGCON[5:4]).

20.1.2.2 Power Configurations

In Host mode, as well as Host mode in On-The-Go operation, the “*USB 2.0 OTG Specification*” requires that the host application should supply power on VBUS. Since the microcontroller is running below VBUS, and is not able to source sufficient current, a separate power supply must be provided.

When the application is always operating in Host mode, a simple circuit can be used to supply VBUS and regulate current on the bus (Figure 20-5). For OTG operation, it is necessary to be able to turn VBUS on or off as needed, as the microcontroller switches between Device and Host modes. A typical example using an external charge pump is shown in Figure 20-6.

FIGURE 20-5: HOST INTERFACE EXAMPLE

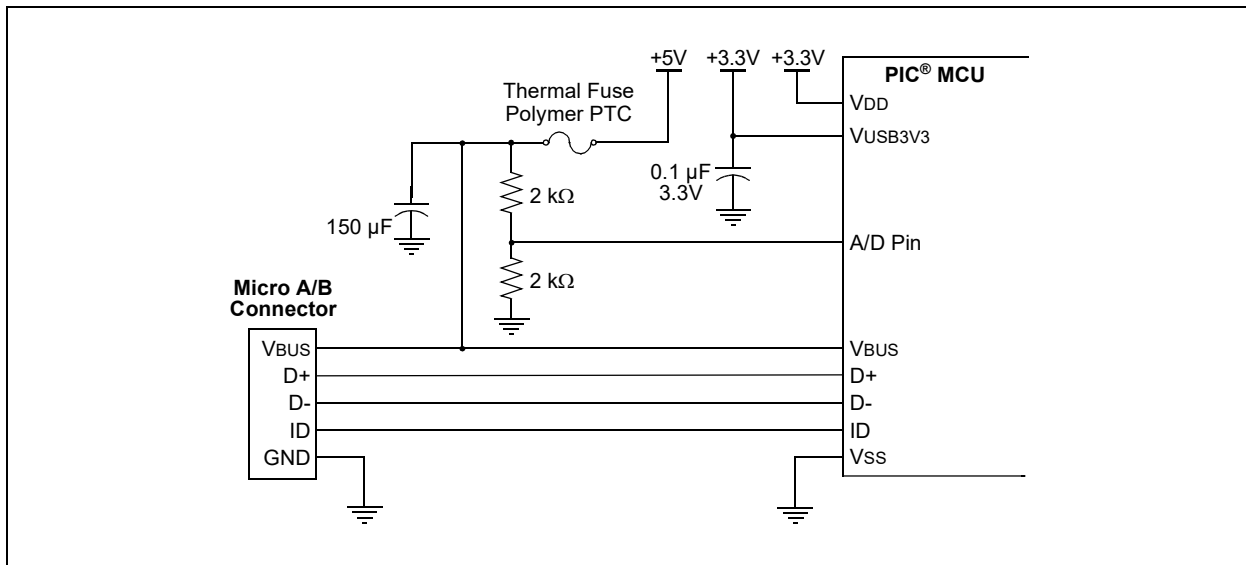
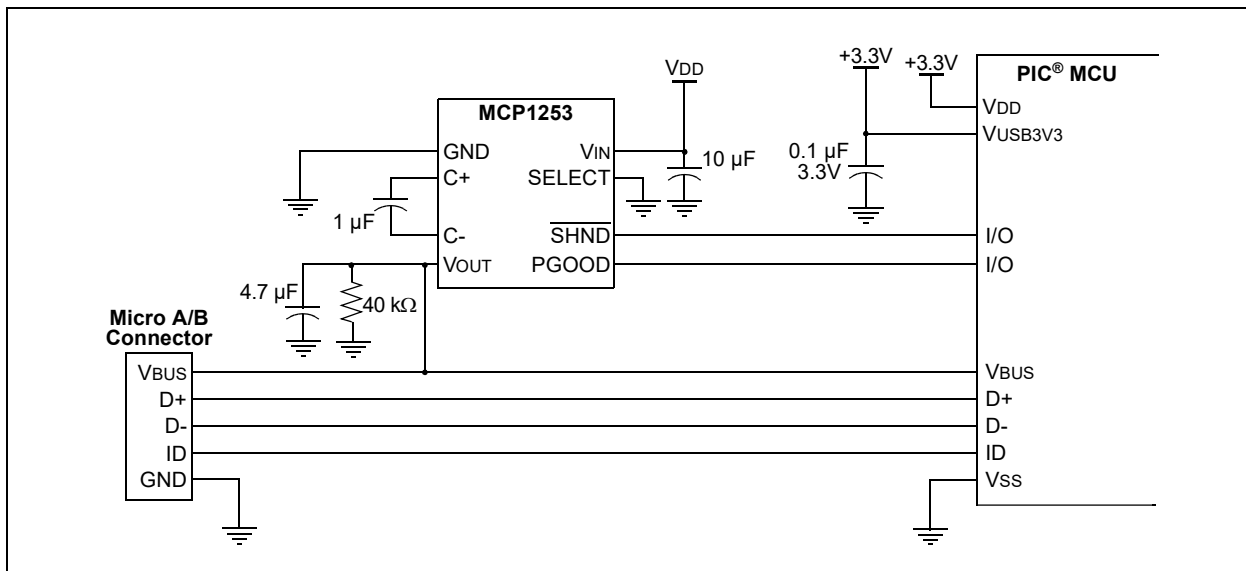


FIGURE 20-6: OTG INTERFACE EXAMPLE



PIC24FJ256GA412/GB412 FAMILY

20.1.3 CALCULATING TRANSCEIVER POWER REQUIREMENTS

The USB transceiver consumes a variable amount of current depending on the characteristic impedance of the USB cable, the length of the cable, the VUSB3V3 supply voltage and the actual data patterns moving across the USB cable. Longer cables have larger capacitances and consume more total energy when switching output states. The total transceiver current consumption will be application-specific.

[Equation 20-1](#) can help estimate how much current actually may be required in full-speed applications. Refer to the “*dsPIC33/PIC24 Family Reference Manual*”, “**USB On-The-Go (OTG)**” (www.microchip.com/DS39721) for a complete discussion on transceiver power consumption.

EQUATION 20-1: ESTIMATING USB TRANSCEIVER CURRENT CONSUMPTION

$$I_{XCVR} = \frac{40 \text{ mA} \cdot V_{USB3V3} \cdot P_{ZERO} \cdot P_{IN} \cdot L_{CABLE}}{3.3\text{V} \cdot 5\text{m}} + I_{PULLUP}$$

Legend: V_{USB3V3} – Voltage applied to the VUSB3V3 pin in volts (3.0V to 3.6V).

P_{ZERO} – Percentage (in decimal) of the IN traffic bits sent by the PIC[®] microcontroller that are a value of ‘0’.

P_{IN} – Percentage (in decimal) of total bus bandwidth that is used for IN traffic.

L_{CABLE} – Length (in meters) of the USB cable. The “*USB 2.0 OTG Specification*” requires that full-speed applications use cables no longer than 5m.

I_{PULLUP} – Current which the nominal, 1.5 kΩ pull-up resistor (when enabled) must supply to the USB cable.

PIC24FJ256GA412/GB412 FAMILY

20.2 USB Buffer Descriptors and the BDT

Endpoint buffer control is handled through a structure called the Buffer Descriptor Table (BDT). This provides a flexible method for users to construct and control endpoint buffers of various lengths and configurations.

The BDT can be located in any available 512-byte, aligned block of data RAM. The BDT Pointer (U1BDTP1) contains the upper address byte of the BDT and sets the location of the BDT in RAM. The user must set this pointer to indicate the table's location.

The BDT is composed of Buffer Descriptors (BDs) which are used to define and control the actual buffers in the USB RAM space. Each BD consists of two 16-bit, "soft" (non-fixed address) registers, BDNSTAT and BDNADR, where n represents one of the 64 possible BDs (range of 0 to 63). BDNSTAT is the status register for BDN, while BDNADR specifies the starting address for the buffer associated with BDN.

Note: Since BDNADR is a 16-bit register, only the first 64 Kbytes of RAM can be accessed by the USB module.

Depending on the endpoint buffering configuration used, there are up to 64 sets of Buffer Descriptors, for a total of 256 bytes. At a minimum, the BDT must be at least 8 bytes long. This is because the "USB 2.0 OTG Specification" mandates that every device must have Endpoint 0 with both input and output for initial setup.

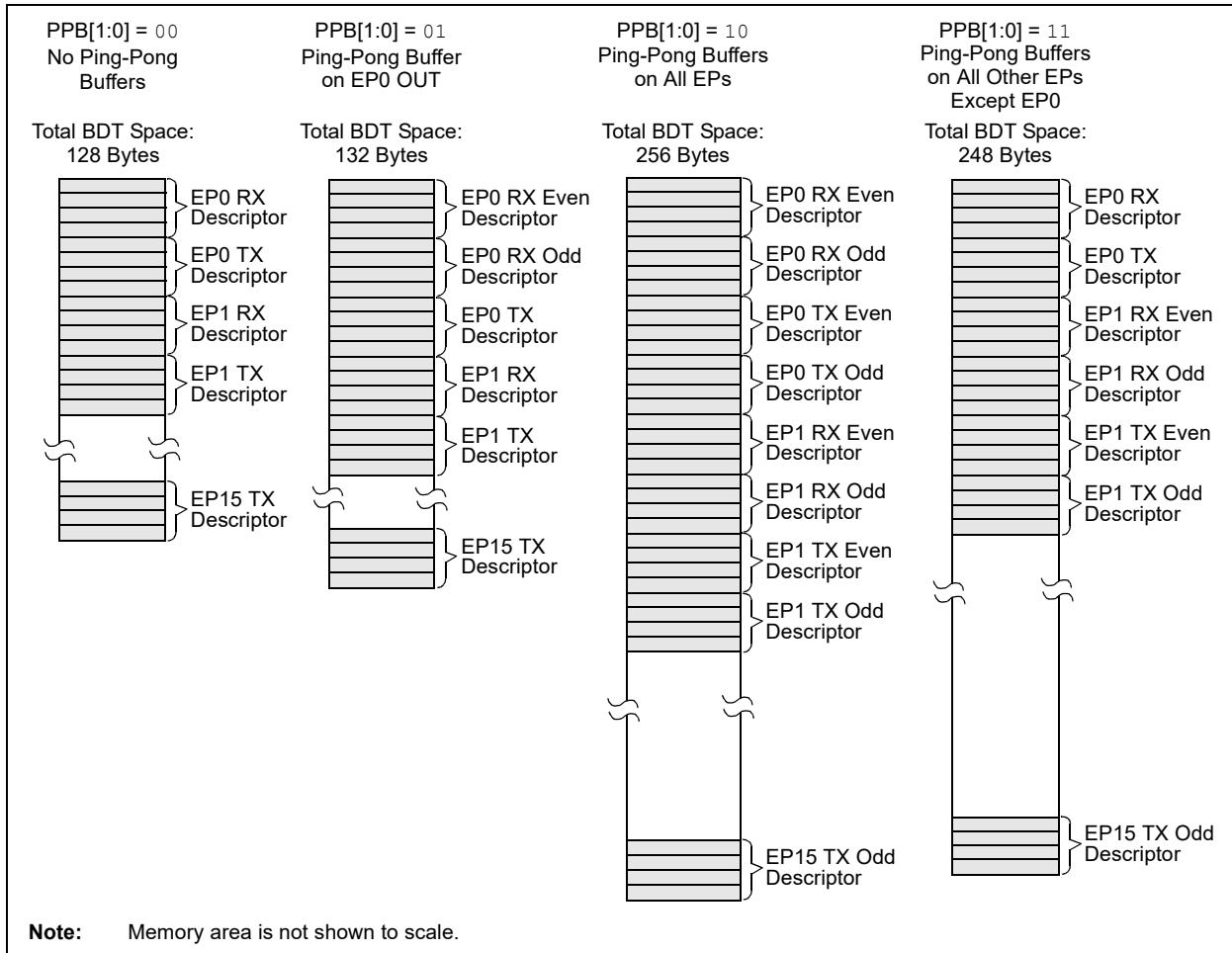
Endpoint mapping in the BDT is dependent on three variables:

- Endpoint number (0 to 15)
- Endpoint direction (RX or TX)
- Ping-pong settings (U1CNFG1[1:0])

Figure 20-7 illustrates how these variables are used to map endpoints in the BDT.

In Host mode, only Endpoint 0 Buffer Descriptors are used. All transfers utilize the Endpoint 0 Buffer Descriptor and Endpoint Control register (U1EP0). For received packets, the attached device's source endpoint is indicated by the value of ENDPT[3:0] in the USB status register (U1STAT[7:4]). For transmitted packets, the attached device's destination endpoint is indicated by the value written to the USB Token register (U1TOK).

FIGURE 20-7: BDT MAPPING FOR ENDPOINT BUFFERING MODES



PIC24FJ256GA412/GB412 FAMILY

BDs have a fixed relationship to a particular endpoint, depending on the buffering configuration. [Table 20-2](#) provides the mapping of BDs to endpoints. This relationship also means that gaps may occur in the BDT if endpoints are not enabled contiguously. This, theoretically, means that the BDs for disabled endpoints could be used as buffer space. In practice, users should avoid using such spaces in the BDT unless a method of validating BD addresses is implemented.

20.2.1 BUFFER OWNERSHIP

Because the buffers and their BDs are shared between the CPU and the USB module, a simple semaphore mechanism is used to distinguish which is allowed to update the BD and associated buffers in memory. This is done by using the UOWN bit as a semaphore to distinguish which is allowed to update the BD and associated buffers in memory. UOWN is the only bit that is shared between the two configurations of BDnSTAT.

When UOWN is clear, the BD entry is “owned” by the microcontroller core. When the UOWN bit is set, the BD entry and the buffer memory are “owned” by the USB peripheral. The core should not modify the BD or its

corresponding data buffer during this time. Note that the microcontroller core can still read BDnSTAT while the SIE owns the buffer and vice versa.

The Buffer Descriptors have a different meaning based on the source of the register update. [Register 20-1](#) and [Register 20-2](#) show the differences in BDnSTAT depending on its current “ownership”.

When UOWN is set, the user can no longer depend on the values that were written to the BDs. From this point, the USB module updates the BDs as necessary, overwriting the original BD values. The BDnSTAT register is updated by the SIE with the token PID and the transfer count is updated.

20.2.2 DMA INTERFACE

The USB OTG module uses a dedicated DMA to access both the BDT and the endpoint data buffers. Since part of the address space of the DMA is dedicated to the Buffer Descriptors, a portion of the memory connected to the DMA must comprise a contiguous address space, properly mapped for the access by the module.

TABLE 20-2: ASSIGNMENT OF BUFFER DESCRIPTORS FOR THE DIFFERENT BUFFERING MODES

Endpoint	BDs Assigned to Endpoint							
	Mode 0 (No Ping-Pong)		Mode 1 (Ping-Pong on EP0 OUT)		Mode 2 (Ping-Pong on All EPs)		Mode 3 (Ping-Pong on All Other EPs, Except EP0)	
	Out	In	Out	In	Out	In	Out	In
0	0	1	0 (E), 1 (O)	2	0 (E), 1 (O)	2 (E), 3 (O)	0	1
1	2	3	3	4	4 (E), 5 (O)	6 (E), 7 (O)	2 (E), 3 (O)	4 (E), 5 (O)
2	4	5	5	6	8 (E), 9 (O)	10 (E), 11 (O)	6 (E), 7 (O)	8 (E), 9 (O)
3	6	7	7	8	12 (E), 13 (O)	14 (E), 15 (O)	10 (E), 11 (O)	12 (E), 13 (O)
4	8	9	9	10	16 (E), 17 (O)	18 (E), 19 (O)	14 (E), 15 (O)	16 (E), 17 (O)
5	10	11	11	12	20 (E), 21 (O)	22 (E), 23 (O)	18 (E), 19 (O)	20 (E), 21 (O)
6	12	13	13	14	24 (E), 25 (O)	26 (E), 27 (O)	22 (E), 23 (O)	24 (E), 25 (O)
7	14	15	15	16	28 (E), 29 (O)	30 (E), 31 (O)	26 (E), 27 (O)	28 (E), 29 (O)
8	16	17	17	18	32 (E), 33 (O)	34 (E), 35 (O)	30 (E), 31 (O)	32 (E), 33 (O)
9	18	19	19	20	36 (E), 37 (O)	38 (E), 39 (O)	34 (E), 35 (O)	36 (E), 37 (O)
10	20	21	21	22	40 (E), 41 (O)	42 (E), 43 (O)	38 (E), 39 (O)	40 (E), 41 (O)
11	22	23	23	24	44 (E), 45 (O)	46 (E), 47 (O)	42 (E), 43 (O)	44 (E), 45 (O)
12	24	25	25	26	48 (E), 49 (O)	50 (E), 51 (O)	46 (E), 47 (O)	48 (E), 49 (O)
13	26	27	27	28	52 (E), 53 (O)	54 (E), 55 (O)	50 (E), 51 (O)	52 (E), 53 (O)
14	28	29	29	30	56 (E), 57 (O)	58 (E), 59 (O)	54 (E), 55 (O)	56 (E), 57 (O)
15	30	31	31	32	60 (E), 61 (O)	62 (E), 63 (O)	58 (E), 59 (O)	60 (E), 61 (O)

Legend: (E) = Even transaction buffer, (O) = Odd transaction buffer

PIC24FJ256GA412/GB412 FAMILY

REGISTER 20-1: BDnSTAT: BUFFER DESCRIPTOR n STATUS REGISTER PROTOTYPE, USB MODE (BD0STAT THROUGH BD63STAT)

R/W-x	R/W-x	HSC/R/W-x	HSC/R/W-x	HSC/R/W-x	HSC/R/W-x	HSC/R/W-x	HSC/R/W-x
UOWN	DTS	PID3	PID2	PID1	PID0	BC[9:8]	
bit 15							bit 8

HSC/R/W-x	HSC/R/W-x	HSC/R/W-x	HSC/R/W-x	HSC/R/W-x	HSC/R/W-x	HSC/R/W-x	HSC/R/W-x
BC[7:0]							
bit 7							bit 0

Legend:	HSC = Hardware Settable/Clearable bit		
R = Readable bit	W = Writable bit	U = Unimplemented bit, read as '0'	
-n = Value at POR	'1' = Bit is set	'0' = Bit is cleared	x = Bit is unknown

- bit 15 **UOWN:** USB Own bit
 1 = The USB module owns the BD and its corresponding buffer; the CPU must not modify the BD or the buffer
- bit 14 **DTS:** Data Toggle Packet bit
 1 = Data 1 packet
 0 = Data 0 packet
- bit 13-10 **PID[3:0]:** Packet Identifier bits (written by the USB module)
In Device Mode:
 Represents the PID of the received token during the last transfer.
In Host Mode:
 Represents the last returned PID or the transfer status indicator.
- bit 9-0 **BC[9:0]:** Byte Count bits
 This represents the number of bytes to be transmitted or the maximum number of bytes to be received during a transfer. Upon completion, the byte count is updated by the USB module with the actual number of bytes transmitted or received.

PIC24FJ256GA412/GB412 FAMILY

REGISTER 20-2: BDNSTAT: BUFFER DESCRIPTOR n STATUS REGISTER PROTOTYPE, CPU MODE (BD0STAT THROUGH BD63STAT)

R/W-x	R/W-x	r-0	r-0	R/W-x	R/W-x	HSC/R/W-x	HSC/R/W-x
UOWN	DTS ⁽¹⁾	—	—	DTSEN	BSTALL	BC[9:8]	
bit 15						bit 8	

HSC/R/W-x	HSC/R/W-x	HSC/R/W-x	HSC/R/W-x	HSC/R/W-x	HSC/R/W-x	HSC/R/W-x	HSC/R/W-x
BC[7:0]							
bit 7						bit 0	

Legend:	r = Reserved bit	HSC = Hardware Settable/Clearable bit
R = Readable bit	W = Writable bit	U = Unimplemented bit, read as '0'
-n = Value at POR	'1' = Bit is set	'0' = Bit is cleared
		x = Bit is unknown

- bit 15 **UOWN:** USB Own bit
0 = The microcontroller core owns the BD and its corresponding buffer; the USB module ignores all other fields in the BD
- bit 14 **DTS:** Data Toggle Packet bit⁽¹⁾
1 = Data 1 packet
0 = Data 0 packet
- bit 13-12 **Reserved:** Maintain as '0'
- bit 11 **DTSEN:** Data Toggle Synchronization Enable bit
1 = Data toggle synchronization is enabled; data packets with incorrect Sync value will be ignored
0 = No data toggle synchronization is performed
- bit 10 **BSTALL:** Buffer STALL Enable bit
1 = Buffer STALL is enabled; Stall handshake issued if a token is received that would use the BD in the given location (UOWN bit remains set, BD value is unchanged); corresponding EPSTALL bit will get set on any STALL handshake
0 = Buffer STALL is disabled
- bit 9-0 **BC[9:0]:** Byte Count bits
This represents the number of bytes to be transmitted or the maximum number of bytes to be received during a transfer. Upon completion, the byte count is updated by the USB module with the actual number of bytes transmitted or received.

Note 1: This bit is ignored unless DTSEN = 1.

PIC24FJ256GA412/GB412 FAMILY

20.3 USB Interrupts

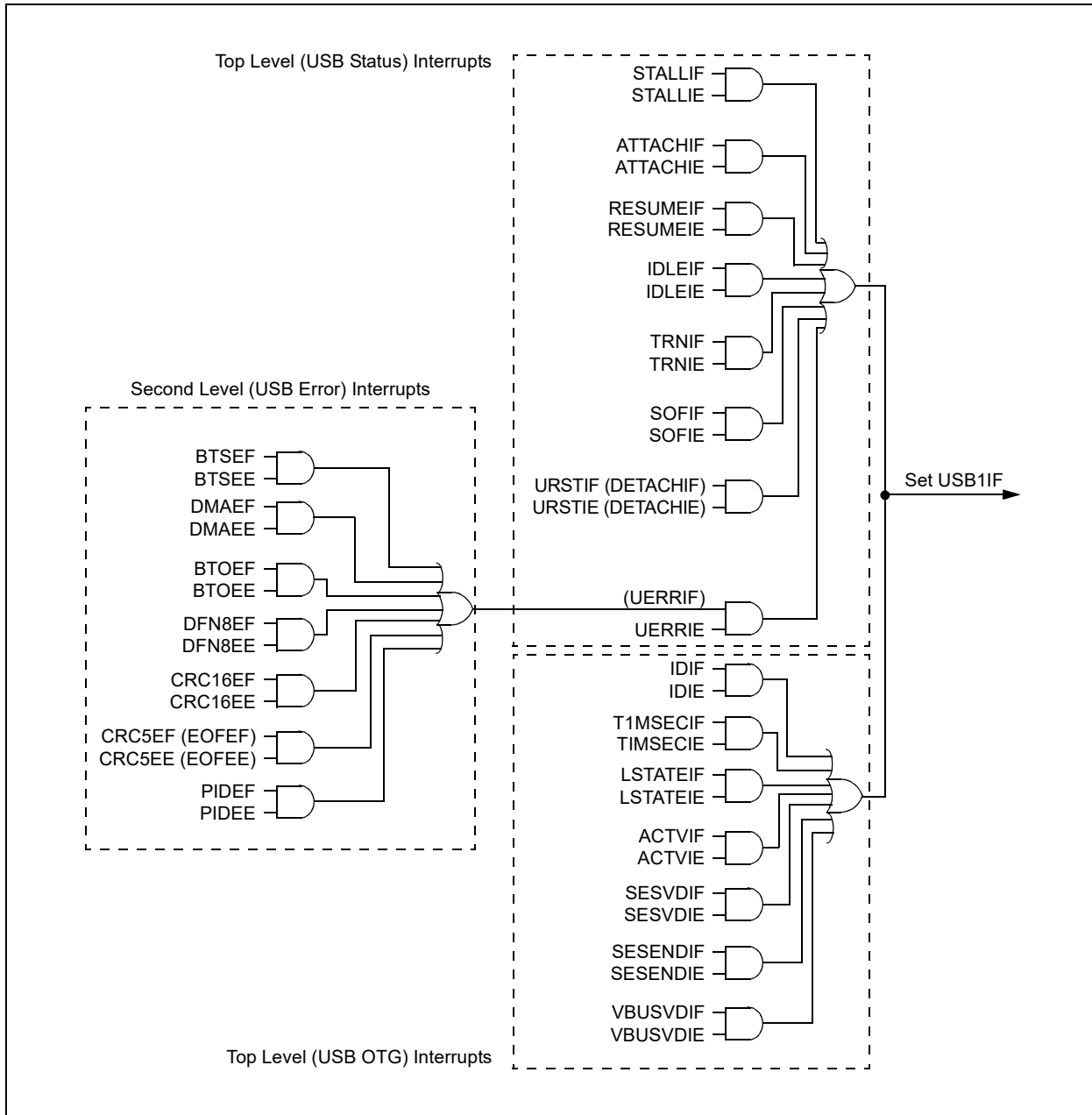
The USB OTG module has many conditions that can be configured to cause an interrupt. All interrupt sources use the same interrupt vector.

Figure 20-8 shows the interrupt logic for the USB module. There are two layers of interrupt registers in the USB module. The top level consists of overall USB status interrupts; these are enabled and flagged in the U1IE and U1IR registers, respectively. The second level consists of USB error conditions, which are enabled and flagged in the U1EIR and U1EIE registers.

An interrupt condition in any of these triggers a USB Error Interrupt Flag (UERRIF) in the top level. Unlike the device-level interrupt flags in the IFSx registers, USB interrupt flags in the U1IR registers can only be cleared by writing a '1' to the bit position.

Interrupts may be used to trap routine events in a USB transaction. Figure 20-9 provides some common events within a USB frame and their corresponding interrupts.

FIGURE 20-8: USB OTG INTERRUPT FUNNEL



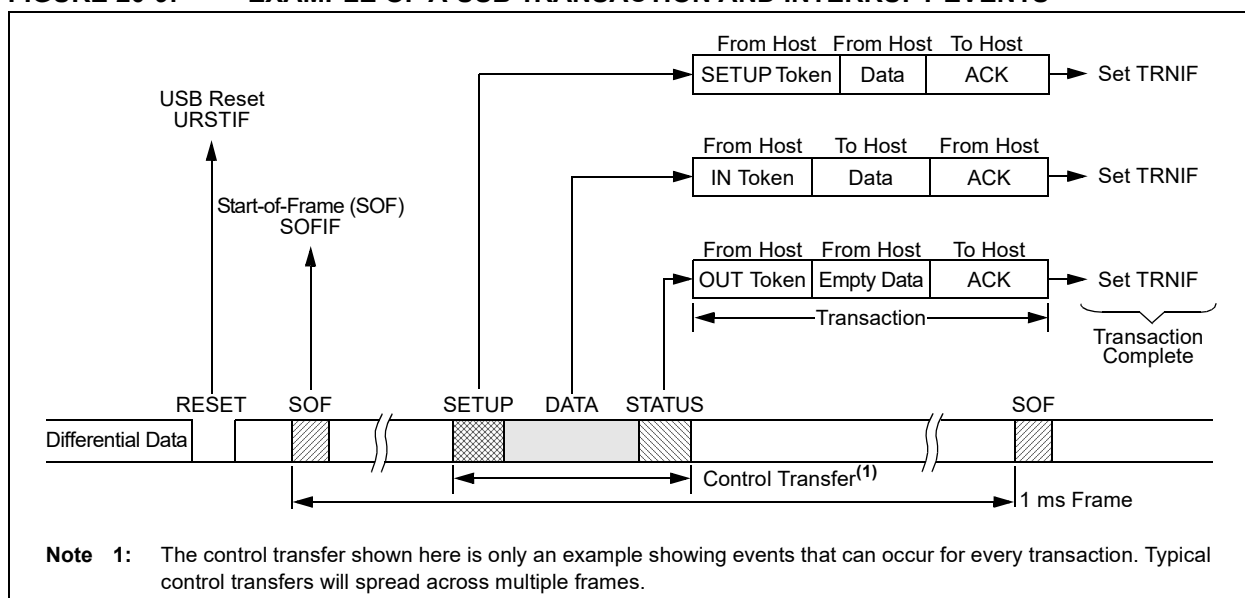
PIC24FJ256GA412/GB412 FAMILY

20.3.1 CLEARING USB OTG INTERRUPTS

Unlike device-level interrupts, the USB OTG interrupt status flags are not freely writable in software. All USB OTG flag bits are implemented as hardware settable only bits. Additionally, these bits can only be cleared in software by writing a '1' to their locations (i.e., performing a MOV type instruction). Writing a '0' to a flag bit (i.e., a BCLR instruction) has no effect.

Note: Throughout this data sheet, a bit that can only be cleared by writing a '1' to its location is referred to as "Write 1 to Clear". In register descriptions, this function is indicated by the descriptor, "K".

FIGURE 20-9: EXAMPLE OF A USB TRANSACTION AND INTERRUPT EVENTS



20.4 Device Mode Operation

The following section describes how to perform a common Device mode task. In Device mode, USB transfers are performed at the transfer level. The USB module automatically performs the status phase of the transfer.

20.4.1 ENABLING DEVICE MODE

1. Reset the Ping-Pong Buffer Pointers by setting, then clearing, the Ping-Pong Buffer Reset bit, PPBRST (U1CON[1]).
2. Disable all interrupts (U1IE and U1EIE = 00h).
3. Clear any existing interrupt flags by writing FFh to U1IR and U1EIR.
4. Verify that VBUS is present (non-OTG devices only).
5. Enable the USB module by setting the USBEN bit (U1CON[0]).
6. Set the OTGEN bit (U1OTGCON[2]) to enable OTG operation.
7. Enable the endpoint zero buffer to receive the first setup packet by setting the EPRXEN and EPHSHK bits for Endpoint 0 (U1EP0[3,0] = 1).
8. Power up the USB module by setting the USBPWR bit (U1PWRC[0]).
9. Enable the D+ pull-up resistor to signal an attach by setting the DPPULUP bit (U1OTGCON[7]).

PIC24FJ256GA412/GB412 FAMILY

20.4.2 RECEIVING AN IN TOKEN IN DEVICE MODE

1. Attach to a USB host and enumerate as described in Chapter 9 of the “*USB 2.0 Specification*”.
2. Create a data buffer and populate it with the data to send to the host.
3. In the appropriate (even or odd) TX BD for the desired endpoint:
 - a) Set up the status register (BDnSTAT) with the correct data toggle (DATA0/1) value and the byte count of the data buffer.
 - b) Set up the address register (BDnADR) with the starting address of the data buffer.
 - c) Set the UOWN bit of the status register to ‘1’.
4. When the USB module receives an IN token, it automatically transmits the data in the buffer. Upon completion, the module updates the status register (BDnSTAT) and sets the Token Complete Interrupt Flag, TRNIF (U1IR[3]).

20.4.3 RECEIVING AN OUT TOKEN IN DEVICE MODE

1. Attach to a USB host and enumerate as described in Chapter 9 of the “*USB 2.0 Specification*”.
2. Create a data buffer with the amount of data you are expecting from the host.
3. In the appropriate (even or odd) TX BD for the desired endpoint:
 - a) Set up the status register (BDnSTAT) with the correct data toggle (DATA0/1) value and the byte count of the data buffer.
 - b) Set up the address register (BDnADR) with the starting address of the data buffer.
 - c) Set the UOWN bit of the status register to ‘1’.
4. When the USB module receives an OUT token, it automatically receives the data sent by the host to the buffer. Upon completion, the module updates the status register (BDnSTAT) and sets the Token Complete Interrupt Flag, TRNIF (U1IR[3]).

20.5 Host Mode Operation

The following sections describe how to perform common Host mode tasks. In Host mode, USB transfers are invoked explicitly by the host software. The host software is responsible for the Acknowledge portion of the transfer. Also, all transfers are performed using the USB Endpoint 0 Control register (U1EP0) and Buffer Descriptors.

20.5.1 ENABLE HOST MODE AND DISCOVER A CONNECTED DEVICE

1. Enable Host mode by setting the HOSTEN bit (U1CON[3]). This causes the Host mode control bits in other USB OTG registers to become available.
2. Enable the D+ and D- pull-down resistors by setting the DPPULDWN and DMPULDWN bits (U1OTGCON[5:4]). Disable the D+ and D-pull-up resistors by clearing the DPPULUP and DMPULUP bits (U1OTGCON[7:6]).
3. At this point, SOF generation begins with the SOF counter loaded with 12,000. Eliminate noise on the USB by clearing the SOFEN bit (U1CON[0]) to disable Start-of-Frame (SOF) packet generation.
4. Enable the device attached interrupt by setting the ATTACHIE bit (U1IE[6]).
5. Wait for the device attached interrupt (U1IR[6] = 1). This is signaled by the USB device changing the state of D+ or D- from ‘0’ to ‘1’ (SE0 to J-state). After it occurs, wait 100 ms for the device power to stabilize.
6. Check the state of the JSTATE and SE0 bits in U1CON. If the JSTATE bit (U1CON[7]) is ‘0’, the connecting device is low speed. If the connecting device is low speed, set the LSPDEN and LSPD bits (U1ADDR[7] and U1EP0[7]) to enable low-speed operation.
7. Reset the USB device by setting the USBRST bit (U1CON[4]) for at least 50 ms, sending Reset signaling on the bus. After 50 ms, terminate the Reset by clearing USBRST.
8. In order to keep the connected device from going into suspend, enable the SOF packet generation by setting the SOFEN bit.
9. Wait 10 ms for the device to recover from Reset.
10. Perform enumeration as described by Chapter 9 of the “*USB 2.0 Specification*”.

PIC24FJ256GA412/GB412 FAMILY

20.5.2 COMPLETE A CONTROL TRANSACTION TO A CONNECTED DEVICE

1. Follow the procedure described in [Section 20.5.1 “Enable Host Mode and Discover a Connected Device”](#) to discover a device.
2. Set up the Endpoint Control register for bidirectional control transfers by writing 0Dh to U1EP0 (this sets the EPCONDIS, EPTXEN and EPHSHK bits).
3. Place a copy of the device framework setup command in a memory buffer. See Chapter 9 of the *“USB 2.0 Specification”* for information on the device framework command set.
4. Initialize the Buffer Descriptor (BD) for the current (even or odd) TX EP0 to transfer the eight bytes of command data for a device framework command (i.e., GET_DEVICE_DESCRIPTOR):
 - a) Set the BD Data Buffer Address (BD0ADR) to the starting address of the 8-byte memory buffer containing the command.
 - b) Write 8008h to BD0STAT (this sets the UOWN bit and sets a byte count of 8).
5. Set the USB device address of the target device in the address register (U1ADDR[6:0]). After a USB bus Reset, the device USB address will be zero. After enumeration, it will be set to another value between 1 and 127.
6. Write D0h to U1TOK; this is a SETUP token to Endpoint 0, the target device’s default control pipe. This initiates a SETUP token on the bus, followed by a data packet. The device handshake is returned in the PID field of BD0STAT after the packets are complete. When the USB module updates BD0STAT, a Token Complete Interrupt Flag is asserted (the TRNIF flag is set). This completes the setup phase of the setup transaction, as referenced in Chapter 9 of the *“USB 2.0 Specification”*.
7. To initiate the data phase of the setup transaction (i.e., get the data for the GET_DEVICE_DESCRIPTOR command), set up a buffer in memory to store the received data.
8. Initialize the current (even or odd) RX or TX (RX for IN, TX for OUT) EP0 BD to transfer the data.
 - a) Write C040h to BD0STAT. This sets the UOWN, configures Data Toggle (DTS) to DATA1 and sets the byte count to the length of the data buffer (64 or 40h in this case).
 - b) Set BD0ADR to the starting address of the data buffer.
9. Write the Token register with the appropriate IN or OUT token to Endpoint 0, the target device’s default control pipe (e.g., write 90h to U1TOK for an IN token for a GET_DEVICE_DESCRIPTOR command). This initiates an IN token on the bus, followed by a data packet from the device to the host. When the data packet completes, the BD0STAT is written and a Token Complete Interrupt Flag is asserted (the TRNIF flag is set). For control transfers with a single packet data phase, this completes the data phase of the setup transaction, as referenced in Chapter 9 of the *“USB 2.0 Specification”*. If more data need to be transferred, return to Step 8.
10. To initiate the status phase of the setup transaction, set up a buffer in memory to receive or send the zero length status phase data packet.
11. Initialize the current (even or odd) TX EP0 BD to transfer the status data:
 - a) Set the BDT buffer address field to the start address of the data buffer.
 - b) Write 8000h to BD0STAT (set UOWN bit, configure DTS to DATA0 and set byte count to 0).
12. Write the Token register with the appropriate IN or OUT token to Endpoint 0, the target device’s default control pipe (e.g., write 01h to U1TOK for an OUT token for a GET_DEVICE_DESCRIPTOR command). This initiates an OUT token on the bus, followed by a zero length data packet from the host to the device. When the data packet completes, the BD is updated with the handshake from the device and a Token Complete Interrupt Flag is asserted (the TRNIF flag is set). This completes the status phase of the setup transaction, as described in Chapter 9 of the *“USB 2.0 Specification”*.

Note: Only one control transaction can be performed per frame.

PIC24FJ256GA412/GB412 FAMILY

20.5.3 SEND A FULL-SPEED BULK DATA TRANSFER TO A TARGET DEVICE

1. Follow the procedure described in [Section 20.5.1 “Enable Host Mode and Discover a Connected Device”](#) and [Section 20.5.2 “Complete a Control Transaction to a Connected Device”](#) to discover and configure a device.
2. To enable transmit and receive transfers with handshaking enabled, write 1Dh to U1EP0. If the target device is a low-speed device, also set the LSPD (U1EP0[7]) bit. If you want the hardware to automatically retry indefinitely if the target device asserts a NAK on the transfer, clear the Retry Disable bit, RETRYDIS (U1EP0[6]).
3. Set up the BD for the current (even or odd) TX EP0 to transfer up to 64 bytes.
4. Set the USB device address of the target device in the address register (U1ADDR[6:0]).
5. Write an OUT token to the desired endpoint to U1TOK. This triggers the module's transmit state machines to begin transmitting the token and the data.
6. Wait for the Token Complete Interrupt Flag, TRNIF. This indicates that the BD has been released back to the microprocessor and the transfer has completed. If the Retry Disable bit (RETRYDIS) is set, the handshake (ACK, NAK, STALL or ERROR (0Fh)) is returned in the BD PID field. If a STALL interrupt occurs, the pending packet must be dequeued and the error condition in the target device cleared. If a detach interrupt occurs (SE0 for more than 2.5 μ s), then the target has detached (U1IR[0] is set).
7. Once the Token Complete Interrupt Flag occurs (TRNIF is set), the BD can be examined and the next data packet queued by returning to Step 2.

Note: USB speed, transceiver and pull-ups should only be configured during the module setup phase. It is not recommended to change these settings while the module is enabled.

20.6 OTG Operation

20.6.1 SESSION REQUEST PROTOCOL (SRP)

An OTG A-device may decide to power down the VBUS supply when it is not using the USB link through the Session Request Protocol (SRP). Software may do this by configuring a GPIO pin to disable an external power transistor, or voltage regulator enable signal, which controls the VBUS supply. When the VBUS supply is powered down, the A-device is said to have ended a USB session.

An OTG A-device or embedded host may repower the VBUS supply at any time (initiate a new session). An OTG B-device may also request that the OTG A-device repower the VBUS supply (initiate a new session). This is accomplished via Session Request Protocol (SRP).

Prior to requesting a new session, the B-device must first check that the previous session has definitely ended. To do this, the B-device must check for two conditions:

1. VBUS supply is below the session valid voltage.
2. Both D+ and D- have been low for at least 2 ms.

The B-device will be notified of Condition 1 by the SESENDIF (U1OTGIR[2]) interrupt. Software will have to manually check for Condition 2.

Note: When the A-device powers down the VBUS supply, the B-device must disconnect its pull-up resistor from power. If the device is self-powered, it can do this by clearing DPPULUP (U1OTGCON[7]) and DMPULUP (U1OTGCON[6]).

The B-device may aid in achieving Condition 1 by discharging the VBUS supply through a resistor. Software may do this by setting VBUSDIS (U1OTGCON[0]).

After these initial conditions are met, the B-device may begin requesting the new session. The B-device begins by pulsing the D+ data line. Software should do this by setting DPPULUP (U1OTGCON[7]). The data line should be held high for 5 to 10 ms.

The B-device then proceeds by pulsing the VBUS supply. Software should do this by setting PUVBUS (U1CNFG2[4]). When an A-device detects SRP signaling (either via the ATTACHIF (U1IR[6]) interrupt or via the SESVDIF (U1OTGIR[3]) interrupt), the A-device must restore the VBUS supply by properly configuring the general purpose I/O port pin controlling the external power source.

The B-device should not monitor the state of the VBUS supply while performing VBUS supply pulsing. When the B-device does detect that the VBUS supply has been restored (via the SESVDIF (U1OTGIR[3]) interrupt), the B-device must reconnect to the USB link by pulling up D+ or D- (via the DPPULUP or DMPULUP bit).

The A-device must complete the SRP by driving USB Reset signaling.

PIC24FJ256GA412/GB412 FAMILY

20.6.2 HOST NEGOTIATION PROTOCOL (HNP)

In USB OTG applications, a Dual Role Device (DRD) is a device that is capable of being either a host or a peripheral. Any OTG DRD must support Host Negotiation Protocol (HNP).

HNP allows an OTG B-device to temporarily become the USB host. The A-device must first enable the B-device to follow HNP. Refer to the “*On-The-Go Supplement*” to the “*USB 2.0 Specification*” for more information regarding HNP. HNP may only be initiated at full speed.

After being enabled for HNP by the A-device, the B-device requests being the host any time that the USB link is in suspend state, by simply indicating a disconnect. This can be done in software by clearing DPPULUP and DMPULUP. When the A-device detects the disconnect condition (via the URSTIF (U1IR[0]) interrupt), the A-device may allow the B-device to take over as host. The A-device does this by signaling connect as a full-speed function. Software may accomplish this by setting DPPULUP.

If the A-device responds instead with resume signaling, the A-device remains as host. When the B-device detects the connect condition, via ATTACHIF (U1IR[6]), the B-device becomes host. The B-device drives Reset signaling prior to using the bus.

When the B-device has finished in its role as host, it stops all bus activity and turns on its D+ pull-up resistor by setting DPPULUP. When the A-device detects a suspend condition (Idle for 3 ms), the A-device turns off its D+ pull-up. The A-device may also power down the VBUS supply to end the session. When the A-device detects the connect condition (via ATTACHIF), the A-device resumes host operation and drives Reset signaling.

20.7 USB OTG Module Registers

There are a total of 37 memory-mapped registers associated with the USB OTG module. They can be divided into four general categories:

- USB OTG Module Control (12)
- USB Interrupt (7)
- USB Endpoint Management (16)
- USB VBus Power Control (2)

This total does not include the (up to) 128 BD registers in the BDT. Their prototypes, described in [Register 20-1](#) and [Register 20-2](#), are shown separately in [Section 20.2 “USB Buffer Descriptors and the BDT”](#).

All USB OTG registers are implemented in the Least Significant Byte (LSB) of the register. Bits in the upper byte are unimplemented and have no function. Note that some registers are instantiated only in Host mode, while other registers have different bit instantiations and functions in Device and Host modes.

The registers described in the following sections are those that have bits with specific control and configuration features. The following registers are used for data or address values only:

- U1BDTP1: Specifies the 256-word page in data RAM used for the BDT; 8-bit value with bit 0 fixed as ‘0’ for boundary alignment.
- U1FRML and U1FRMH: Contain the 11-bit byte counter for the current data frame.

PIC24FJ256GA412/GB412 FAMILY

20.7.1 USB OTG MODULE CONTROL REGISTERS

REGISTER 20-3: U1OTGSTAT: USB OTG STATUS REGISTER (HOST MODE ONLY)

U-0	U-0	U-0	U-0	U-0	U-0	U-0	U-0
—	—	—	—	—	—	—	—
bit 15							bit 8

HSC/R-0	U-0	HSC/R-0	U-0	HSC/R-0	HSC/R-0	U-0	HSC/R-0
ID	—	LSTATE	—	SESVD	SESEND	—	VBUSVD
bit 7							bit 0

Legend:	HSC = Hardware Settable/Clearable bit		
R = Readable bit	W = Writable bit	U = Unimplemented bit, read as '0'	
-n = Value at POR	'1' = Bit is set	'0' = Bit is cleared	x = Bit is unknown

- bit 15-8 **Unimplemented:** Read as '0'
- bit 7 **ID:** ID Pin State Indicator bit
 - 1 = No plug is attached or a Type B cable has been plugged into the USB receptacle
 - 0 = A Type A plug has been plugged into the USB receptacle
- bit 6 **Unimplemented:** Read as '0'
- bit 5 **LSTATE:** Line State Stable Indicator bit
 - 1 = The USB line state (as defined by SE0 and JSTATE) has been stable for the previous 1 ms
 - 0 = The USB line state has not been stable for the previous 1 ms
- bit 4 **Unimplemented:** Read as '0'
- bit 3 **SESVD:** Session Valid Indicator bit
 - 1 = The VBUS voltage is above VA_SESS_VLD (as defined in the "USB 2.0 OTG Specification") on the A or B-device
 - 0 = The VBUS voltage is below VA_SESS_VLD on the A or B-device
- bit 2 **SESEND:** B Session End Indicator bit
 - 1 = The VBUS voltage is below VB_SESS_END (as defined in the "USB 2.0 OTG Specification") on the B-device
 - 0 = The VBUS voltage is above VB_SESS_END on the B-device
- bit 1 **Unimplemented:** Read as '0'
- bit 0 **VBUSVD:** A VBUS Valid Indicator bit
 - 1 = The VBUS voltage is above VA_VBUS_VLD (as defined in the "USB 2.0 OTG Specification") on the A-device
 - 0 = The VBUS voltage is below VA_VBUS_VLD on the A-device

PIC24FJ256GA412/GB412 FAMILY

REGISTER 20-4: U1OTGCON: USB ON-THE-GO CONTROL REGISTER

U-0	U-0	U-0	U-0	U-0	U-0	U-0	U-0
—	—	—	—	—	—	—	—
bit 15						bit 8	

R/W-0	R/W-0	R/W-0	R/W-0	R/W-0	R/W-0	R/W-0	R/W-0
DPPULUP	DMPULUP	DPPULDWN ⁽¹⁾	DMPULDWN ⁽¹⁾	VBUSON	OTGEN ⁽¹⁾	VBUSCHG	VBUSDIS ⁽¹⁾
bit 7						bit 0	

Legend:

R = Readable bit

W = Writable bit

U = Unimplemented bit, read as '0'

-n = Value at POR

'1' = Bit is set

'0' = Bit is cleared

x = Bit is unknown

bit 15-8 **Unimplemented:** Read as '0'

bit 7 **DPPULUP:** D+ Pull-up Enable bit

1 = D+ data line pull-up resistor is enabled

0 = D+ data line pull-up resistor is disabled

bit 6 **DMPULUP:** D- Pull-up Enable bit

1 = D- data line pull-up resistor is enabled

0 = D- data line pull-up resistor is disabled

bit 5 **DPPULDWN:** D+ Pull-Down Enable bit⁽¹⁾

1 = D+ data line pull-down resistor is enabled

0 = D+ data line pull-down resistor is disabled

bit 4 **DMPULDWN:** D- Pull-Down Enable bit⁽¹⁾

1 = D- data line pull-down resistor is enabled

0 = D- data line pull-down resistor is disabled

bit 3 **VBUSON:** VBUS Power-on bit

1 = VBUS line is powered

0 = VBUS line is not powered

bit 2 **OTGEN:** OTG Features Enable bit⁽¹⁾

1 = USB OTG is enabled; all D+/D- pull-up and pull-down bits are enabled

0 = USB OTG is disabled; D+/D- pull-up and pull-down bits are controlled in hardware by the settings of the HOSTEN and USBEN (U1CON[3,0]) bits

bit 1 **VBUSCHG:** VBUS Charge bit

1 = VBUS line is charged through a resistor

0 = VBUS line is not charged

bit 0 **VBUSDIS:** VBUS Discharge Enable bit⁽¹⁾

1 = VBUS line is discharged through a resistor

0 = VBUS line is not discharged

Note 1: These bits are only used in Host mode; do not use in Device mode.

PIC24FJ256GA412/GB412 FAMILY

REGISTER 20-5: U1PWRC: USB POWER CONTROL REGISTER

U-0	U-0	U-0	U-0	U-0	U-0	U-0	U-0
—	—	—	—	—	—	—	—
bit 15							bit 8

HSC/R-x	U-0	U-0	R/W-0	U-0	U-0	HC/R/W-0	R/W-0
UACTPND	—	—	USLPGRD	—	—	USUSPND	USBPWR
bit 7							bit 0

Legend:	HC = Hardware Clearable bit	HSC = Hardware Settable/Clearable bit
R = Readable bit	W = Writable bit	U = Unimplemented bit, read as '0'
-n = Value at POR	'1' = Bit is set	'0' = Bit is cleared
		x = Bit is unknown

- bit 15-8 **Unimplemented:** Read as '0'
- bit 7 **UACTPND:** USB Activity Pending bit
 1 = Module should not be suspended at the moment (requires the USLPGRD bit to be set)
 0 = Module may be suspended or powered down
- bit 6-5 **Unimplemented:** Read as '0'
- bit 4 **USLPGRD:** USB Sleep/Suspend Guard bit
 1 = Indicates to the USB module that it is about to be suspended or powered down
 0 = No suspend
- bit 3-2 **Unimplemented:** Read as '0'
- bit 1 **USUSPND:** USB Suspend Mode Enable bit
 1 = USB OTG module is in Suspend mode; USB clock is gated and the transceiver is placed in a
 low-power state
 0 = Normal USB OTG operation
- bit 0 **USBPWR:** USB Operation Enable bit
 1 = USB OTG module is enabled
 0 = USB OTG module is disabled⁽¹⁾

Note 1: Do not clear this bit unless the HOSTEN, USBEN and OTGEN bits (U1CON[3,0] and U1OTGCON[2]) are all cleared.

PIC24FJ256GA412/GB412 FAMILY

REGISTER 20-6: U1STAT: USB STATUS REGISTER

U-0	U-0	U-0	U-0	U-0	U-0	U-0	U-0
—	—	—	—	—	—	—	—
bit 15							bit 8

HSC/R-0	HSC/R-0	HSC/R-0	HSC/R-0	HSC/R-0	HSC/R-0	U-0	U-0
ENDPT3	ENDPT2	ENDPT1	ENDPT0	DIR	PPBI ⁽¹⁾	—	—
bit 7							bit 0

Legend:	HSC = Hardware Settable/Clearable bit		
R = Readable bit	W = Writable bit	U = Unimplemented bit, read as '0'	
-n = Value at POR	'1' = Bit is set	'0' = Bit is cleared	x = Bit is unknown

bit 15-8 **Unimplemented:** Read as '0'

bit 7-4 **ENDPT[3:0]:** Number of the Last Endpoint Activity bits
(Represents the number of the BDT updated by the last USB transfer.)

1111 = Endpoint 15

1110 = Endpoint 14

•

•

•

0001 = Endpoint 1

0000 = Endpoint 0

bit 3 **DIR:** Last BD Direction Indicator bit

1 = The last transaction was a transmit transfer (TX)

0 = The last transaction was a receive transfer (RX)

bit 2 **PPBI:** Ping-Pong BD Pointer Indicator bit⁽¹⁾

1 = The last transaction was to the odd BD bank

0 = The last transaction was to the even BD bank

bit 1-0 **Unimplemented:** Read as '0'

Note 1: This bit is only valid for endpoints with available even and odd BD registers.

PIC24FJ256GA412/GB412 FAMILY

REGISTER 20-7: U1CON: USB CONTROL REGISTER (DEVICE MODE)

U-0	U-0	U-0	U-0	U-0	U-0	U-0	U-0
—	—	—	—	—	—	—	—
bit 15							bit 8

U-0	HSC/R-x	R/W-0	U-0	R/W-0	R/W-0	R/W-0	R/W-0
—	SE0	PKTDIS	—	HOSTEN	RESUME	PPBRST	USBEN
bit 7							bit 0

Legend:	HSC = Hardware Settable/Clearable bit		
R = Readable bit	W = Writable bit	U = Unimplemented bit, read as '0'	
-n = Value at POR	'1' = Bit is set	'0' = Bit is cleared	x = Bit is unknown

- bit 15-7 **Unimplemented:** Read as '0'
- bit 6 **SE0:** Live Single-Ended Zero Flag bit
 - 1 = Single-ended zero is active on the USB bus
 - 0 = No single-ended zero is detected
- bit 5 **PKTDIS:** Packet Transfer Disable bit
 - 1 = SIE token and packet processing are disabled; automatically set when a SETUP token is received
 - 0 = SIE token and packet processing are enabled
- bit 4 **Unimplemented:** Read as '0'
- bit 3 **HOSTEN:** Host Mode Enable bit
 - 1 = USB host capability is enabled; pull-downs on D+ and D- are activated in hardware
 - 0 = USB host capability is disabled
- bit 2 **RESUME:** Resume Signaling Enable bit
 - 1 = Resume signaling is activated
 - 0 = Resume signaling is disabled
- bit 1 **PPBRST:** Ping-Pong Buffers Reset bit
 - 1 = Resets all Ping-Pong Buffer Pointers to the even BD banks
 - 0 = Ping-Pong Buffer Pointers are not reset
- bit 0 **USBEN:** USB Module Enable bit
 - 1 = USB module and supporting circuitry are enabled (device attached); D+ pull-up is activated in hardware
 - 0 = USB module and supporting circuitry are disabled (device detached)

PIC24FJ256GA412/GB412 FAMILY

REGISTER 20-8: U1CON: USB CONTROL REGISTER (HOST MODE ONLY)

U-0	U-0	U-0	U-0	U-0	U-0	U-0	U-0
—	—	—	—	—	—	—	—
bit 15							bit 8

HSC/R-x	HSC/R-x	R/W-0	R/W-0	R/W-0	R/W-0	R/W-0	R/W-0
JSTATE	SE0	TOKBUSY	USBRST	HOSTEN	RESUME	PPBRST	SOFEN
bit 7							bit 0

Legend:	HSC = Hardware Settable/Clearable bit		
R = Readable bit	W = Writable bit	U = Unimplemented bit, read as '0'	
-n = Value at POR	'1' = Bit is set	'0' = Bit is cleared	x = Bit is unknown

- bit 15-8 **Unimplemented:** Read as '0'
- bit 7 **JSTATE:** Live Differential Receiver J-State Flag bit
 - 1 = J-state (differential '0' in low speed, differential '1' in full speed) is detected on the USB
 - 0 = No J-state is detected
- bit 6 **SE0:** Live Single-Ended Zero Flag bit
 - 1 = Single-ended zero is active on the USB bus
 - 0 = No single-ended zero is detected
- bit 5 **TOKBUSY:** Token Busy Status bit
 - 1 = Token is being executed by the USB module in On-The-Go state
 - 0 = No token is being executed
- bit 4 **USBRST:** USB Module Reset bit
 - 1 = USB Reset has been generated for a software Reset; application must set this bit for 50 ms, then clear it
 - 0 = USB Reset is terminated
- bit 3 **HOSTEN:** Host Mode Enable bit
 - 1 = USB host capability is enabled; pull-downs on D+ and D- are activated in hardware
 - 0 = USB host capability is disabled
- bit 2 **RESUME:** Resume Signaling Enable bit
 - 1 = Resume signaling is activated; software must set bit for 10 ms and then clear to enable remote wake-up
 - 0 = Resume signaling is disabled
- bit 1 **PPBRST:** Ping-Pong Buffers Reset bit
 - 1 = Resets all Ping-Pong Buffer Pointers to the even BD banks
 - 0 = Ping-Pong Buffer Pointers are not reset
- bit 0 **SOFEN:** Start-of-Frame Enable bit
 - 1 = Start-of-Frame token is sent every one 1 ms
 - 0 = Start-of-Frame token is disabled

PIC24FJ256GA412/GB412 FAMILY

REGISTER 20-9: U1ADDR: USB ADDRESS REGISTER

U-0	U-0	U-0	U-0	U-0	U-0	U-0	U-0
—	—	—	—	—	—	—	—
bit 15							bit 8

R/W-0	R/W-0	R/W-0	R/W-0	R/W-0	R/W-0	R/W-0	R/W-0
LSPDEN ⁽¹⁾	ADDR6	ADDR5	ADDR4	ADDR3	ADDR2	ADDR1	ADDR0
bit 7							bit 0

Legend:

R = Readable bit W = Writable bit U = Unimplemented bit, read as '0'
 -n = Value at POR '1' = Bit is set '0' = Bit is cleared x = Bit is unknown

bit 15-8 **Unimplemented:** Read as '0'
 bit 7 **LSPDEN:** Low-Speed Enable Indicator bit⁽¹⁾
 1 = USB module operates at low speed
 0 = USB module operates at full speed

bit 6-0 **ADDR[6:0]:** USB Device Address bits

Note 1: Host mode only. In Device mode, this bit is unimplemented and read as '0'.

REGISTER 20-10: U1TOK: USB TOKEN REGISTER (HOST MODE ONLY)

U-0	U-0	U-0	U-0	U-0	U-0	U-0	U-0
—	—	—	—	—	—	—	—
bit 15							bit 8

R/W-0	R/W-0	R/W-0	R/W-0	R/W-0	R/W-0	R/W-0	R/W-0
PID3	PID2	PID1	PID0	EP3	EP2	EP1	EP0
bit 7							bit 0

Legend:

R = Readable bit W = Writable bit U = Unimplemented bit, read as '0'
 -n = Value at POR '1' = Bit is set '0' = Bit is cleared x = Bit is unknown

bit 15-8 **Unimplemented:** Read as '0'
 bit 7-4 **PID[3:0]:** Token Type Identifier bits
 1101 = SETUP (TX) token type transaction⁽¹⁾
 1001 = IN (RX) token type transaction⁽¹⁾
 0001 = OUT (TX) token type transaction⁽¹⁾
 bit 3-0 **EP[3:0]:** Token Command Endpoint Address bits
 This value must specify a valid endpoint on the attached device.

Note 1: All other combinations are reserved and are not to be used.

PIC24FJ256GA412/GB412 FAMILY

REGISTER 20-11: U1SOF: USB OTG START-OF-TOKEN THRESHOLD REGISTER (HOST MODE ONLY)

U-0	U-0	U-0	U-0	U-0	U-0	U-0	U-0
—	—	—	—	—	—	—	—
bit 15							bit 8

R/W-0	R/W-0	R/W-0	R/W-0	R/W-0	R/W-0	R/W-0	R/W-0
CNT[7:0]							
bit 7							bit 0

Legend:

R = Readable bit

W = Writable bit

U = Unimplemented bit, read as '0'

-n = Value at POR

'1' = Bit is set

'0' = Bit is cleared

x = Bit is unknown

bit 15-8 **Unimplemented:** Read as '0'

bit 7-0 **CNT[7:0]:** Start-of-Frame Size bits

Value represents 10 + (packet size of n bytes). For example:

0100 1010 = 64-byte packet

0010 1010 = 32-byte packet

0001 0010 = 8-byte packet

PIC24FJ256GA412/GB412 FAMILY

REGISTER 20-12: U1CNFG1: USB CONFIGURATION REGISTER 1

U-0	U-0	U-0	U-0	U-0	U-0	U-0	U-0
—	—	—	—	—	—	—	—
bit 15							bit 8

R/W-0	R/W-0	U-0	R/W-0	U-0	U-0	R/W-0	R/W-0
UTEYE	UOEMON ⁽¹⁾	—	USBSIDL	—	—	PPB1	PPB0
bit 7							bit 0

Legend:

R = Readable bit W = Writable bit U = Unimplemented bit, read as '0'
 -n = Value at POR '1' = Bit is set '0' = Bit is cleared x = Bit is unknown

- bit 15-8 **Unimplemented:** Read as '0'
- bit 7 **UTEYE:** USB Eye Pattern Test Enable bit
 1 = Eye pattern test is enabled
 0 = Eye pattern test is disabled
- bit 6 **UOEMON:** USB \overline{OE} Monitor Enable bit⁽¹⁾
 1 = \overline{OE} signal is active; it indicates intervals during which the D+/D- lines are driving
 0 = \overline{OE} signal is inactive
- bit 5 **Unimplemented:** Read as '0'
- bit 4 **USBSIDL:** USB OTG Stop in Idle Mode bit
 1 = Discontinues module operation when the device enters Idle mode
 0 = Continues module operation in Idle mode
- bit 3-2 **Unimplemented:** Read as '0'
- bit 1-0 **PPB[1:0]:** Ping-Pong Buffers Configuration bits
 11 = Even/Odd Ping-Pong Buffers are enabled for Endpoints 1 to 15
 10 = Even/Odd Ping-Pong Buffers are enabled for all endpoints
 01 = Even/Odd Ping-Pong Buffers are enabled for OUT Endpoint 0
 00 = Even/Odd Ping-Pong Buffers are disabled

Note 1: This bit is only active when the UTRDIS bit (U1CNFG2[0]) is set.

PIC24FJ256GA412/GB412 FAMILY

REGISTER 20-13: U1CNFG2: USB CONFIGURATION REGISTER 2

U-0	U-0	U-0	U-0	U-0	U-0	U-0	U-0
—	—	—	—	—	—	—	—
bit 15							bit 8

U-0	U-0	U-0	R/W-0	U-0	U-0	r-0	r-0
—	—	—	PUVBUS ⁽¹⁾	—	—	—	—
bit 7							bit 0

Legend:	r = Reserved bit
R = Readable bit	W = Writable bit
-n = Value at POR	'1' = Bit is set
	U = Unimplemented bit, read as '0'
	'0' = Bit is cleared
	x = Bit is unknown

- bit 15-5 **Unimplemented:** Read as '0'
- bit 4 **PUVBUS:** VBUS Pull-up Enable bit⁽¹⁾
 - 1 = Pull-up on VBUS pin is enabled
 - 0 = Pull-up on VBUS pin is disabled
- bit 3-2 **Unimplemented:** Read as '0'
- bit 1-0 **Reserved:** Maintain as '0'

Note 1: Never change this bit while the USBPWR bit is set (U1PWRC[0] = 1).

PIC24FJ256GA412/GB412 FAMILY

20.7.2 USB INTERRUPT REGISTERS

REGISTER 20-14: U1OTGIR: USB OTG INTERRUPT STATUS REGISTER (HOST MODE ONLY)

U-0	U-0	U-0	U-0	U-0	U-0	U-0	U-0
—	—	—	—	—	—	—	—
bit 15							bit 8

HS/R/K-0	HS/R/K-0	HS/R/K-0	HS/R/K-0	HS/R/K-0	HS/R/K-0	U-0	HS/R/K-0
IDIF	T1MSECIF	LSTATEIF	ACTVIF	SESVDIF	SESENDIF	—	VBUSVDIF
bit 7							bit 0

Legend:	HS = Hardware Settable bit
R = Readable bit	K = Write '1' to Clear bit U = Unimplemented bit, read as '0'
-n = Value at POR	'1' = Bit is set '0' = Bit is cleared x = Bit is unknown

- bit 15-8 **Unimplemented:** Read as '0'
- bit 7 **IDIF:** ID State Change Indicator bit
 1 = Change in ID state is detected
 0 = No ID state change is detected
- bit 6 **T1MSECIF:** 1 Millisecond Timer bit
 1 = The 1 millisecond timer has expired
 0 = The 1 millisecond timer has not expired
- bit 5 **LSTATEIF:** Line State Stable Indicator bit
 1 = USB line state (as defined by the SE0 and JSTATE bits) has been stable for 1 ms, but different from the last time
 0 = USB line state has not been stable for 1 ms
- bit 4 **ACTVIF:** Bus Activity Indicator bit
 1 = Activity on the D+/D- lines or VBUS is detected
 0 = No activity on the D+/D- lines or VBUS is detected
- bit 3 **SESVDIF:** Session Valid Change Indicator bit
 1 = VBUS has crossed VA_SESS_END (as defined in the "USB 2.0 OTG Specification")⁽¹⁾
 0 = VBUS has not crossed VA_SESS_END
- bit 2 **SESENDIF:** B-Device VBUS Change Indicator bit
 1 = VBUS change on B-device is detected; VBUS has crossed VB_SESS_END (as defined in the "USB 2.0 OTG Specification")⁽¹⁾
 0 = VBUS has not crossed VA_SESS_END
- bit 1 **Unimplemented:** Read as '0'
- bit 0 **VBUSVDIF:** A-Device VBUS Change Indicator bit
 1 = VBUS change on A-device is detected; VBUS has crossed VA_VBUS_VLD (as defined in the "USB 2.0 OTG Specification")⁽¹⁾
 0 = No VBUS change on A-device is detected

Note 1: VBUS threshold crossings may either be rising or falling.

Note: Individual bits can only be cleared by writing a '1' to the bit position as part of a word write operation on the entire register. Using Boolean instructions or bitwise operations to write to a single bit position will cause all set bits, at the moment of the write, to become cleared.

PIC24FJ256GA412/GB412 FAMILY

REGISTER 20-15: U1OTGIE: USB OTG INTERRUPT ENABLE REGISTER (HOST MODE ONLY)

U-0	U-0	U-0	U-0	U-0	U-0	U-0	U-0
—	—	—	—	—	—	—	—
bit 15							bit 8

R/W-0	R/W-0	R/W-0	R/W-0	R/W-0	R/W-0	U-0	R/W-0
IDIE	T1MSECIE	LSTATEIE	ACTVIE	SESVIE	SESENDIE	—	VBUSVDIE
bit 7							bit 0

Legend:

R = Readable bit W = Writable bit U = Unimplemented bit, read as '0'
 -n = Value at POR '1' = Bit is set '0' = Bit is cleared x = Bit is unknown

- bit 15-8 **Unimplemented:** Read as '0'
- bit 7 **IDIE:** ID Interrupt Enable bit
 1 = Interrupt is enabled
 0 = Interrupt is disabled
- bit 6 **T1MSECIE:** 1 Millisecond Timer Interrupt Enable bit
 1 = Interrupt is enabled
 0 = Interrupt is disabled
- bit 5 **LSTATEIE:** Line State Stable Interrupt Enable bit
 1 = Interrupt is enabled
 0 = Interrupt is disabled
- bit 4 **ACTVIE:** Bus Activity Interrupt Enable bit
 1 = Interrupt is enabled
 0 = Interrupt is disabled
- bit 3 **SESVIE:** Session Valid Interrupt Enable bit
 1 = Interrupt is enabled
 0 = Interrupt is disabled
- bit 2 **SESENDIE:** B-Device Session End Interrupt Enable bit
 1 = Interrupt is enabled
 0 = Interrupt is disabled
- bit 1 **Unimplemented:** Read as '0'
- bit 0 **VBUSVDIE:** A-Device VBUS Valid Interrupt Enable bit
 1 = Interrupt is enabled
 0 = Interrupt is disabled

PIC24FJ256GA412/GB412 FAMILY

REGISTER 20-16: U1IR: USB INTERRUPT STATUS REGISTER (DEVICE MODE ONLY)

U-0	U-0	U-0	U-0	U-0	U-0	U-0	U-0
—	—	—	—	—	—	—	—
bit 15							bit 8

HS/R/K-0	U-0	HS/R/K-0	HS/R/K-0	HS/R/K-0	HS/R/K-0	HS/R/K-0	HS/R/K-0
STALLIF	—	RESUMEIF	IDLEIF	TRNIF	SOFIF	UERRIF	URSTIF
bit 7							bit 0

Legend:	HS = Hardware Settable bit
R = Readable bit	K = Write '1' to Clear bit U = Unimplemented bit, read as '0'
-n = Value at POR	'1' = Bit is set '0' = Bit is cleared x = Bit is unknown

- bit 15-8 **Unimplemented:** Read as '0'
- bit 7 **STALLIF:** STALL Handshake Interrupt bit
 1 = A STALL handshake was sent by the peripheral during the handshake phase of the transaction in Device mode
 0 = A STALL handshake has not been sent
- bit 6 **Unimplemented:** Read as '0'
- bit 5 **RESUMEIF:** Resume Interrupt bit
 1 = A K-state is observed on the D+ or D- pin for 2.5 μ s (differential '1' for low speed, differential '0' for full speed)
 0 = No K-state is observed
- bit 4 **IDLEIF:** Idle Detect Interrupt bit
 1 = Idle condition is detected (constant Idle state of 3 ms or more)
 0 = No Idle condition is detected
- bit 3 **TRNIF:** Token Processing Complete Interrupt bit
 1 = Processing of the current token is complete; read the U1STAT register for endpoint information
 0 = Processing of the current token is not complete; clear the U1STAT register or load the next token from STAT (clearing this bit causes the STAT FIFO to advance)
- bit 2 **SOFIF:** Start-of-Frame Token Interrupt bit
 1 = A Start-of-Frame token is received by the peripheral or the Start-of-Frame threshold is reached by the host
 0 = No Start-of-Frame token is received or threshold reached
- bit 1 **UERRIF:** USB Error Condition Interrupt bit
 1 = An unmasked error condition has occurred; only error states enabled in the U1EIE register can set this bit
 0 = No unmasked error condition has occurred
- bit 0 **URSTIF:** USB Reset Interrupt bit
 1 = Valid USB Reset has occurred for at least 2.5 μ s; Reset state must be cleared before this bit can be reasserted
 0 = No USB Reset has occurred; individual bits can only be cleared by writing a '1' to the bit position as part of a word write operation on the entire register. Using Boolean instructions or bitwise operations to write to a single bit position will cause all set bits, at the moment of the write, to become cleared

Note: Individual bits can only be cleared by writing a '1' to the bit position as part of a word write operation on the entire register. Using Boolean instructions or bitwise operations to write to a single bit position will cause all set bits, at the moment of the write, to become cleared.

PIC24FJ256GA412/GB412 FAMILY

REGISTER 20-17: U1IR: USB INTERRUPT STATUS REGISTER (HOST MODE ONLY)

U-0	U-0	U-0	U-0	U-0	U-0	U-0	U-0
—	—	—	—	—	—	—	—
bit 15							bit 8

HS/R/K-0	HS/R/K-0	HS/R/K-0	HS/R/K-0	HS/R/K-0	HS/R/K-0	HS/R/K-0	HS/R/K-0
STALLIF	ATTACHIF	RESUMEIF	IDLEIF	TRNIF	SOFIF	UERRIF	DETACHIF
bit 7							bit 0

Legend:	HS = Hardware Settable bit
R = Readable bit	K = Write '1' to Clear bit U = Unimplemented bit, read as '0'
-n = Value at POR	'1' = Bit is set '0' = Bit is cleared x = Bit is unknown

- bit 15-8 **Unimplemented:** Read as '0'
- bit 7 **STALLIF:** STALL Handshake Interrupt bit
 1 = A STALL handshake was sent by the peripheral device during the handshake phase of the transaction in Device mode
 0 = A STALL handshake has not been sent
- bit 6 **ATTACHIF:** Peripheral Attach Interrupt bit
 1 = A peripheral attachment has been detected by the module; it is set if the bus state is not SE0 and there has been no bus activity for 2.5 μ s
 0 = No peripheral attachment has been detected
- bit 5 **RESUMEIF:** Resume Interrupt bit
 1 = A K-state is observed on the D+ or D- pin for 2.5 μ s (differential '1' for low speed, differential '0' for full speed)
 0 = No K-state is observed
- bit 4 **IDLEIF:** Idle Detect Interrupt bit
 1 = Idle condition is detected (constant Idle state of 3 ms or more)
 0 = No Idle condition is detected
- bit 3 **TRNIF:** Token Processing Complete Interrupt bit
 1 = Processing of the current token is complete; read the U1STAT register for endpoint information
 0 = Processing of the current token is not complete; clear the U1STAT register or load the next token from U1STAT
- bit 2 **SOFIF:** Start-of-Frame Token Interrupt bit
 1 = A Start-of-Frame token is received by the peripheral or the Start-of-Frame threshold is reached by the host
 0 = No Start-of-Frame token is received or threshold reached
- bit 1 **UERRIF:** USB Error Condition Interrupt bit
 1 = An unmasked error condition has occurred; only error states enabled in the U1EIE register can set this bit
 0 = No unmasked error condition has occurred
- bit 0 **DETACHIF:** Detach Interrupt bit
 1 = A peripheral detachment has been detected by the module; Reset state must be cleared before this bit can be reasserted
 0 = No peripheral detachment is detected. Individual bits can only be cleared by writing a '1' to the bit position as part of a word write operation on the entire register. Using Boolean instructions or bitwise operations to write to a single bit position will cause all set bits, at the moment of the write, to become cleared.

Note: Individual bits can only be cleared by writing a '1' to the bit position as part of a word write operation on the entire register. Using Boolean instructions or bitwise operations to write to a single bit position will cause all set bits, at the moment of the write, to become cleared.

PIC24FJ256GA412/GB412 FAMILY

REGISTER 20-18: U1IE: USB INTERRUPT ENABLE REGISTER (ALL USB MODES)

U-0	U-0	U-0	U-0	U-0	U-0	U-0	U-0
—	—	—	—	—	—	—	—
bit 15							bit 8

R/W-0	R/W-0	R/W-0	R/W-0	R/W-0	R/W-0	R/W-0	R/W-0
STALLIE	ATTACHIE ⁽¹⁾	RESUMEIE	IDLEIE	TRNIE	SOFIE	UERRIE	URSTIE
							DETACHIE
bit 7							bit 0

Legend:

R = Readable bit

W = Writable bit

U = Unimplemented bit, read as '0'

-n = Value at POR

'1' = Bit is set

'0' = Bit is cleared

x = Bit is unknown

bit 15-8

Unimplemented: Read as '0'

bit 7

STALLIE: STALL Handshake Interrupt Enable bit

1 = Interrupt is enabled

0 = Interrupt is disabled

bit 6

ATTACHIE: Peripheral Attach Interrupt bit (Host mode only)⁽¹⁾

1 = Interrupt is enabled

0 = Interrupt is disabled

bit 5

RESUMEIE: Resume Interrupt bit

1 = Interrupt is enabled

0 = Interrupt is disabled

bit 4

IDLEIE: Idle Detect Interrupt bit

1 = Interrupt is enabled

0 = Interrupt is disabled

bit 3

TRNIE: Token Processing Complete Interrupt bit

1 = Interrupt is enabled

0 = Interrupt is disabled

bit 2

SOFIE: Start-of-Frame Token Interrupt bit

1 = Interrupt is enabled

0 = Interrupt is disabled

bit 1

UERRIE: USB Error Condition Interrupt bit

1 = Interrupt is enabled

0 = Interrupt is disabled

bit 0

For Device Mode:

URSTIE: USB Reset Interrupt Enable bit

For Host Mode:

DETACHIE: USB Detach Interrupt Enable bit

1 = Interrupt is enabled

0 = Interrupt is disabled

Note 1: This bit is unimplemented in Device mode, read as '0'.

PIC24FJ256GA412/GB412 FAMILY

REGISTER 20-19: U1EIR: USB ERROR INTERRUPT STATUS REGISTER

U-0	U-0	U-0	U-0	U-0	U-0	U-0	U-0
—	—	—	—	—	—	—	—
bit 15						bit 8	

HS/R/K-0	U-0	HS/R/K-0	HS/R/K-0	HS/R/K-0	HS/R/K-0	HS/R/K-0	HS/R/K-0
BTSEF	—	DMAEF	BTOEF	DFN8EF	CRC16EF	CRC5EF EOFEF	PIDEF
bit 7						bit 0	

Legend:	HS = Hardware Settable bit
R = Readable bit	K = Write '1' to Clear bit U = Unimplemented bit, read as '0'
-n = Value at POR	'1' = Bit is set '0' = Bit is cleared x = Bit is unknown

- bit 15-8 **Unimplemented:** Read as '0'
- bit 7 **BTSEF:** Bit Stuff Error Flag bit
 - 1 = Bit stuff error has been detected
 - 0 = No bit stuff error has been detected
- bit 6 **Unimplemented:** Read as '0'
- bit 5 **DMAEF:** DMA Error Flag bit
 - 1 = A USB DMA error condition is detected; the data size indicated by the BD byte count field is less than the number of received bytes, the received data are truncated
 - 0 = No DMA error
- bit 4 **BTOEF:** Bus Turnaround Time-out Error Flag bit
 - 1 = Bus turnaround time-out has occurred
 - 0 = No bus turnaround time-out has occurred
- bit 3 **DFN8EF:** Data Field Size Error Flag bit
 - 1 = Data field was not an integral number of bytes
 - 0 = Data field was an integral number of bytes
- bit 2 **CRC16EF:** CRC16 Failure Flag bit
 - 1 = CRC16 failed
 - 0 = CRC16 passed
- bit 1 For Device Mode:
 - CRC5EF:** CRC5 Host Error Flag bit
 - 1 = Token packet is rejected due to CRC5 error
 - 0 = Token packet is accepted (no CRC5 error)
 - For Host Mode:
 - EOFEF:** End-of-Frame (EOF) Error Flag bit
 - 1 = End-of-Frame error has occurred
 - 0 = End-of-Frame interrupt is disabled
- bit 0 **PIDEF:** PID Check Failure Flag bit
 - 1 = PID check failed
 - 0 = PID check passed

Note: Individual bits can only be cleared by writing a '1' to the bit position as part of a word write operation on the entire register. Using Boolean instructions or bitwise operations to write to a single bit position will cause all set bits, at the moment of the write, to become cleared.

PIC24FJ256GA412/GB412 FAMILY

REGISTER 20-20: U1EIE: USB ERROR INTERRUPT ENABLE REGISTER

U-0	U-0	U-0	U-0	U-0	U-0	U-0	U-0
—	—	—	—	—	—	—	—
bit 15							bit 8

R/W-0	U-0	R/W-0	R/W-0	R/W-0	R/W-0	R/W-0	R/W-0
BTSEE	—	DMAEE	BTOEE	DFN8EE	CRC16EE	CRC5EE	PIDEE
						EOFEE	
bit 7							bit 0

Legend:

R = Readable bit

W = Writable bit

U = Unimplemented bit, read as '0'

-n = Value at POR

'1' = Bit is set

'0' = Bit is cleared

x = Bit is unknown

- bit 15-8 **Unimplemented:** Read as '0'
- bit 7 **BTSEE:** Bit Stuff Error Interrupt Enable bit
 1 = Interrupt is enabled
 0 = Interrupt is disabled
- bit 6 **Unimplemented:** Read as '0'
- bit 5 **DMAEE:** DMA Error Interrupt Enable bit
 1 = Interrupt is enabled
 0 = Interrupt is disabled
- bit 4 **BTOEE:** Bus Turnaround Time-out Error Interrupt Enable bit
 1 = Interrupt is enabled
 0 = Interrupt is disabled
- bit 3 **DFN8EE:** Data Field Size Error Interrupt Enable bit
 1 = Interrupt is enabled
 0 = Interrupt is disabled
- bit 2 **CRC16EE:** CRC16 Failure Interrupt Enable bit
 1 = Interrupt is enabled
 0 = Interrupt is disabled
- bit 1 For Device Mode:
 CRC5EE: CRC5 Host Error Interrupt Enable bit
 1 = Interrupt is enabled
 0 = Interrupt is disabled
 For Host Mode:
 EOFEE: End-of-Frame (EOF) Error interrupt Enable bit
 1 = Interrupt is enabled
 0 = Interrupt is disabled
- bit 0 **PIDEE:** PID Check Failure Interrupt Enable bit
 1 = Interrupt is enabled
 0 = Interrupt is disabled

PIC24FJ256GA412/GB412 FAMILY

20.7.3 USB ENDPOINT MANAGEMENT REGISTERS

REGISTER 20-21: U1EPn: USB ENDPOINT n CONTROL REGISTERS (n = 0 to 15)

U-0	U-0	U-0	U-0	U-0	U-0	U-0	U-0
—	—	—	—	—	—	—	—
bit 15							bit 8

R/W-0	R/W-0	U-0	R/W-0	R/W-0	R/W-0	R/W-0	R/W-0
LSPD ⁽¹⁾	RETRYDIS ⁽¹⁾	—	EPCONDIS	EPRXEN	EPTXEN	EPSTALL	EPHSK
bit 7							bit 0

Legend:

R = Readable bit W = Writable bit U = Unimplemented bit, read as '0'
 -n = Value at POR '1' = Bit is set '0' = Bit is cleared x = Bit is unknown

- bit 15-8 **Unimplemented:** Read as '0'
- bit 7 **LSPD:** Low-Speed Direct Connection Enable bit (U1EP0 only)⁽¹⁾
 1 = Direct connection to a low-speed device is enabled
 0 = Direct connection to a low-speed device is disabled
- bit 6 **RETRYDIS:** Retry Disable bit (U1EP0 only)⁽¹⁾
 1 = Retry NAK transactions are disabled
 0 = Retry NAK transactions are enabled; retry is done in hardware
- bit 5 **Unimplemented:** Read as '0'
- bit 4 **EPCONDIS:** Bidirectional Endpoint Control bit
 If EPTXEN and EPRXEN = 1:
 1 = Disables Endpoint n from control transfers; only TX and RX transfers are allowed
 0 = Enables Endpoint n for control (SETUP) transfers; TX and RX transfers are also allowed
 For All Other Combinations of EPTXEN and EPRXEN:
 This bit is ignored.
- bit 3 **EPRXEN:** Endpoint Receive Enable bit
 1 = Endpoint n receive is enabled
 0 = Endpoint n receive is disabled
- bit 2 **EPTXEN:** Endpoint Transmit Enable bit
 1 = Endpoint n transmit is enabled
 0 = Endpoint n transmit is disabled
- bit 1 **EPSTALL:** Endpoint STALL Status bit
 1 = Endpoint n was stalled
 0 = Endpoint n was not stalled
- bit 0 **EPHSK:** Endpoint Handshake Enable bit
 1 = Endpoint handshake is enabled
 0 = Endpoint handshake is disabled (typically used for isochronous endpoints)

Note 1: These bits are available only for U1EP0 and only in Host mode. For all other U1EPn registers, these bits are always unimplemented and read as '0'.

PIC24FJ256GA412/GB412 FAMILY

NOTES:

PIC24FJ256GA412/GB412 FAMILY

21.0 ENHANCED PARALLEL MASTER PORT (EPMP)

Note: This data sheet summarizes the features of this group of PIC24F devices. It is not intended to be a comprehensive reference source. For more information, refer to the “*dsPIC33/PIC24 Family Reference Manual*”, “**Enhanced Parallel Master Port (EPMP)**” (www.microchip.com/DS39730). The information in this data sheet supersedes the information in the FRM.

The Enhanced Parallel Master Port (EPMP) module provides a parallel, 4-bit (Master mode only), 8-bit (Master and Slave modes) or 16-bit (Master mode only) data bus interface to communicate with off-chip modules, such as memories, FIFOs, LCD controllers and other microcontrollers. This module can serve as either the master or the slave on the communication bus.

For EPMP Master modes, all external addresses are mapped into the internal Extended Data Space (EDS). This is done by allocating a region of the EDS for each Chip Select (CS), and then assigning each Chip Select to a particular external resource, such as a memory or external controller. This region should not be assigned to another device resource, such as RAM or SFRs. To perform a write or read on an external resource, the CPU simply performs a write or read within the address range assigned for the EPMP.

Key features of the EPMP module are:

- Extended Data Space (EDS) Interface allows Direct Access from the CPU
- Up to 23 Programmable Address Lines
- Up to Two Chip Select Lines
- Up to Two Acknowledgment Lines (one per Chip Select)
- 4-Bit, 8-Bit or 16-Bit Wide Data Bus

- Programmable Strobe Options (per Chip Select):
 - Individual Read and Write Strobes or;
 - Read/Write Strobe with Enable Strobe
- Programmable Address/Data Multiplexing
- Programmable Address Wait States
- Programmable Data Wait States (per Chip Select)
- Programmable Polarity on Control Signals (per Chip Select)
- Legacy Parallel Slave Port Support
- Enhanced Parallel Slave Support:
 - Address Support
 - 4-Byte Deep Auto-Incrementing Buffer

21.1 Specific Package Variations

While all PIC24FJ256GA412/GB412 family devices implement the EPMP, I/O pin constraints place some limits on 16-Bit Master mode operations in some package types. This is reflected in the number of dedicated Chip Select pins implemented and the number of dedicated address lines that are available. The differences are summarized in [Table 21-1](#). All available EPMP pin functions are summarized in [Table 21-2](#).

For 64-pin devices, the dedicated Chip Select pins (PMCS1 and PMS2) are not implemented. In addition, only 16 address lines (PMA[15:0]) are available. If required, PMA14 and PMA15 can be remapped to function as APMCS1 and APMCS2 (Alternate Chip Select 1/2), respectively.

The memory space addressable by the device depends on the number of address lines available, as well as the number of Chip Select signals required for the application. Devices with lower pin counts are more affected by Chip Select requirements, as these take away address lines. [Table 21-1](#) shows the maximum addressable range for each pin count.

TABLE 21-1: EPMP FEATURE DIFFERENCES BY DEVICE PIN COUNT

Device	Dedicated Chip Select		Address Lines	Address Range (bytes)		
	CS1	CS2		No CS	1 CS	2 CS
PIC24FJXXGX406 (64-pin) ⁽¹⁾	—	—	16	64K	32K	16K
PIC24FJXXGX410 (100-pin)	X	X	23	16M		
PIC24FJXXGX412 (121/124-pin)	X	X	23	16M		

Note 1: The 64-pin devices can use the Alternate Chip Select pins, APMCS1 and APMCS2.

PIC24FJ256GA412/GB412 FAMILY

TABLE 21-2: ENHANCED PARALLEL MASTER PORT PIN DESCRIPTIONS

Pin Name (Alternate Function)	Type	Description
PMA[22:16]	O	Address Bus bits[22:16]
PMA15 (APMCS2)	O	Address Bus bit 15
	I/O	Data Bus bit 15 (16-bit port with Multiplexed Addressing)
PMA14 (APMCS1)	O	Chip Select 2 (alternate location)
	O	Address Bus bit 14
	I/O	Data Bus bit 14 (16-bit port with Multiplexed Addressing)
PMA[13:8]	O	Chip Select 1 (alternate location)
	I/O	Data Bus bits[13:8] (16-bit port with Multiplexed Addressing)
PMA[7:3]	O	Address Bus bits[7:3]
PMA2 (PMALU)	O	Address Bus bit 2
	O	Address Latch Upper Strobe for Multiplexed Address
PMA1 (PMALH)	I/O	Address Bus bit 1
	O	Address Latch High Strobe for Multiplexed Address
PMA0 (PMALL)	I/O	Address Bus bit 0
	O	Address Latch Low Strobe for Multiplexed Address
PMD[15:8]	I/O	Data Bus bits[15:8] (Demultiplexed Addressing)
PMD[7:4]	I/O	Data Bus bits[7:4]
	O	Address Bus bits[7:4] (4-bit port with 1-Phase Multiplexed Addressing)
PMD[3:0]	I/O	Data Bus bits[3:0]
PMCS1 ⁽¹⁾	I/O	Chip Select 1
PMCS2 ⁽¹⁾	O	Chip Select 2
PMWR	I/O	Write Strobe ⁽²⁾
(PMENB)	I/O	Enable Signal ⁽²⁾
PMRD	I/O	Read Strobe ⁽²⁾
(PMRD/PMWR)	I/O	Read/Write Signal ⁽²⁾
PMBE1	O	Byte Indicator
PMBE0	O	Nibble or Byte Indicator
PMACK1	I	Acknowledgment Signal 1
PMACK2	I	Acknowledgment Signal 2

Note 1: These pins are implemented in 100-pin and 121/124-pin devices only.

Note 2: Signal function depends on the setting of the MODE[1:0] and SM bits (PMCON1[9:8] and PMCSxCF[8]).

PIC24FJ256GA412/GB412 FAMILY

REGISTER 21-1: PMCON1: EPMP CONTROL REGISTER 1

R/W-0	U-0	R/W-0	R/W-0	R/W-0	U-0	R/W-0	R/W-0
PMEN	—	PSIDL	ADRMUX1	ADRMUX0	—	MODE1	MODE0
bit 15						bit 8	

R/W-0	R/W-0	R/W-0	R/W-0	U-0	R/W-0	R/W-0	R/W-0
CSF1	CSF0	ALP	ALMODE	—	BUSKEEP	IRQM1	IRQM0
bit 7						bit 0	

Legend:

R = Readable bit W = Writable bit U = Unimplemented bit, read as '0'
 -n = Value at POR '1' = Bit is set '0' = Bit is cleared x = Bit is unknown

- bit 15 **PMEN:** Parallel Master Port Enable bit
 1 = EPMP is enabled
 0 = EPMP is disabled
- bit 14 **Unimplemented:** Read as '0'
- bit 13 **PSIDL:** Parallel Master Port Stop in Idle Mode bit
 1 = Discontinues module operation when device enters Idle mode
 0 = Continues module operation in Idle mode
- bit 12-11 **ADRMUX[1:0]:** Address/Data Multiplexing Selection bits
 11 = Lower address bits are multiplexed with data bits using three address phases
 10 = Lower address bits are multiplexed with data bits using two address phases
 01 = Lower address bits are multiplexed with data bits using one address phase
 00 = Address and data appear on separate pins
- bit 10 **Unimplemented:** Read as '0'
- bit 9-8 **MODE[1:0]:** Parallel Port Mode Select bits
 11 = Master mode
 10 = Enhanced PSP; pins used are PMRD, PMWR, PMCS, PMD[7:0] and PMA[1:0]
 01 = Buffered PSP; pins used are PMRD, PMWR, PMCS and PMD[7:0]
 00 = Legacy Parallel Slave Port; pins used are PMRD, PMWR, PMCS and PMD[7:0]
- bit 7-6 **CSF[1:0]:** Chip Select Function bits
 11 = Reserved
 10 = PMA15 is used for Chip Select 2, PMA14 is used for Chip Select 1
 01 = PMA15 is used for Chip Select 2, PMCS1 is used for Chip Select 1
 00 = PMCS2 is used for Chip Select 2, PMCS1 is used for Chip Select 1
- bit 5 **ALP:** Address Latch Polarity bit
 1 = Active-high (PMALL, PMALH and PMALU)
 0 = Active-low (PMALL, PMALH and PMALU)
- bit 4 **ALMODE:** Address Latch Strobe Mode bit
 1 = Enables "smart" address strobes (each address phase is only present if the current access would cause a different address in the latch than the previous address)
 0 = Disables "smart" address strobes
- bit 3 **Unimplemented:** Read as '0'
- bit 2 **BUSKEEP:** Bus Keeper bit
 1 = Data bus keeps its last value when not actively being driven
 0 = Data bus is in a high-impedance state when not actively being driven
- bit 1-0 **IRQM[1:0]:** Interrupt Request Mode bits
 11 = Interrupt is generated when Read Buffer 3 is read or Write Buffer 3 is written (Buffered PSP mode), or on a read or write operation when PMA[1:0] = 11 (Addressable PSP mode only)
 10 = Reserved
 01 = Interrupt is generated at the end of a read/write cycle
 00 = No interrupt is generated

PIC24FJ256GA412/GB412 FAMILY

REGISTER 21-2: PMCON2: EPMP CONTROL REGISTER 2

HSC/R-0	U-0	HS/R/C-0	HS/R/C-0	U-0	U-0	U-0	U-0
BUSY	—	ERROR	TIMEOUT	—	—	—	—
bit 15							bit 8

R/W-0	R/W-0	R/W-0	R/W-0	R/W-0	R/W-0	R/W-0	R/W-0
RADDR[23:16] ⁽¹⁾							
bit 7							bit 0

Legend:	C = Clearable bit	HSC = Hardware Settable/Clearable bit
R = Readable bit	W = Writable bit	U = Unimplemented bit, read as '0'
-n = Value at POR	'1' = Bit is set	'0' = Bit is cleared
		HS = Hardware Settable bit

- bit 15 **BUSY:** Busy bit (Master mode only)
 - 1 = Port is busy
 - 0 = Port is not busy
- bit 14 **Unimplemented:** Read as '0'
- bit 13 **ERROR:** Error bit
 - 1 = Transaction error (illegal transaction was requested)
 - 0 = Transaction completed successfully
- bit 12 **TIMEOUT:** Time-out bit
 - 1 = Transaction timed out
 - 0 = Transaction completed successfully
- bit 11-8 **Unimplemented:** Read as '0'
- bit 7-0 **RADDR[23:16]:** Parallel Master Port Reserved Address Space bits⁽¹⁾

Note 1: If RADDR[23:16] = 00000000, then the last EDS address for Chip Select 2 will be FFFFFFFh.

PIC24FJ256GA412/GB412 FAMILY

REGISTER 21-3: PMCON3: EPMP CONTROL REGISTER 3

R/W-0	R/W-0	R/W-0	R/W-0	U-0	R/W-0	R/W-0	R/W-0
PTWREN	PTRDEN	PTBE1EN	PTBE0EN	—	AWAITM1	AWAITM0	AWAITE
bit 15							bit 8

U-0	R/W-0	R/W-0	R/W-0	R/W-0	R/W-0	R/W-0	R/W-0
—	PTEN[22:16] ⁽¹⁾						
bit 7							bit 0

Legend:

R = Readable bit W = Writable bit U = Unimplemented bit, read as '0'
 -n = Value at POR '1' = Bit is set '0' = Bit is cleared x = Bit is unknown

- bit 15 **PTWREN:** Parallel Master Port Write/Enable Strobe Port Enable bit
 1 = PMWR/PMENB port is enabled
 0 = PMWR/PMENB port is disabled
- bit 14 **PTRDEN:** Parallel Master Port Read/Write Strobe Port Enable bit
 1 = PMRD/ $\overline{\text{PMWR}}$ port is enabled
 0 = PMRD/ $\overline{\text{PMWR}}$ port is disabled
- bit 13 **PTBE1EN:** Parallel Master Port High Nibble/Byte Enable Port Enable bit
 1 = PMBE1 port is enabled
 0 = PMBE1 port is disabled
- bit 12 **PTBE0EN:** Parallel Master Port Low Nibble/Byte Enable Port Enable bit
 1 = PMBE0 port is enabled
 0 = PMBE0 port is disabled
- bit 11 **Unimplemented:** Read as '0'
- bit 10-9 **AWAITM[1:0]:** Address Latch Strobe Wait States bits
 11 = Wait of 3½ TcY
 10 = Wait of 2½ TcY
 01 = Wait of 1½ TcY
 00 = Wait of ½ TcY
- bit bit 8 **AWAITE:** Address Hold After Address Latch Strobe Wait States bit
 1 = Wait of 1¼ TcY
 0 = Wait of ¼ TcY
- bit 7 **Unimplemented:** Read as '0'
- bit 6-0 **PTEN[22:16]:** EPMP Address Port Enable bits⁽¹⁾
 1 = PMA[22:16] function as EPMP address lines
 0 = PMA[22:16] function as port I/Os

Note 1: These bits are not available in 64-pin devices (PIC24FJXXXGA406/GB406).

PIC24FJ256GA412/GB412 FAMILY

REGISTER 21-4: PMCON4: EPMP CONTROL REGISTER 4

R/W-0	R/W-0	R/W-0	R/W-0	R/W-0	R/W-0	R/W-0	R/W-0
PTEN15	PTEN14	PTEN[13:8]					
bit 15							bit 8

R/W-0	R/W-0	R/W-0	R/W-0	R/W-0	R/W-0	R/W-0	R/W-0
PTEN[7:3]					PTEN[2:0]		
bit 7							bit 0

Legend:

R = Readable bit	W = Writable bit	U = Unimplemented bit, read as '0'
-n = Value at POR	'1' = Bit is set	'0' = Bit is cleared x = Bit is unknown

- bit 15 **PTEN15:** PMA15 Port Enable bit
 1 = PMA15 functions as either Address Line 15 or Chip Select 2
 0 = PMA15 functions as port I/O
- bit 14 **PTEN14:** PMA14 Port Enable bit
 1 = PMA14 functions as either Address Line 14 or Chip Select 1
 0 = PMA14 functions as port I/O
- bit 13-3 **PTEN[13:3]:** EPM Address Port Enable bits
 1 = PMA[13:3] function as EPM address lines
 0 = PMA[13:3] function as port I/Os
- bit 2-0 **PTEN[2:0]:** PMALU/PMALH/PMALL Strobe Enable bits
 1 = PMA[2:0] function as either address lines or address latch strobes
 0 = PMA[2:0] function as port I/Os

PIC24FJ256GA412/GB412 FAMILY

REGISTER 21-5: PMCSxCF: EPMP CHIP SELECT x CONFIGURATION REGISTER

R/W-0	R/W-0	R/W-0	R/W-0	U-0	R/W-0	R/W-0	R/W-0
CSDIS	CSP	CSPTEN	BEP	—	WRSP	RDSP	SM
bit 15							bit 8

R/W-0	R/W-0	R/W-0	U-0	U-0	U-0	U-0	U-0
ACKP	PTSZ1	PTSZ0	—	—	—	—	—
bit 7							bit 0

Legend:

R = Readable bit	W = Writable bit	U = Unimplemented bit, read as '0'
-n = Value at POR	'1' = Bit is set	'0' = Bit is cleared
		x = Bit is unknown

- bit 15 **CSDIS:** Chip Select x Disable bit
 1 = Disables the Chip Select x functionality
 0 = Enables the Chip Select x functionality
- bit 14 **CSP:** Chip Select x Polarity bit
 1 = Active-high (PMCSx)
 0 = Active-low (PMCSx)
- bit 13 **CSPTEN:** PMCSx Port Enable bit
 1 = PMCSx port is enabled
 0 = PMCSx port is disabled
- bit 12 **BEP:** Chip Select x Nibble/Byte Enable Polarity bit
 1 = Nibble/byte enable is active-high (PMBE0, PMBE1)
 0 = Nibble/byte enable is active-low (PMBE0, PMBE1)
- bit 11 **Unimplemented:** Read as '0'
- bit 10 **WRSP:** Chip Select x Write Strobe Polarity bit
For Slave Modes and Master Mode when SM = 0:
 1 = Write strobe is active-high (PMWR)
 0 = Write strobe is active-low (PMWR)
For Master Mode when SM = 1:
 1 = Enable strobe is active-high (PMENB)
 0 = Enable strobe is active-low (PMENB)
- bit 9 **RDSP:** Chip Select x Read Strobe Polarity bit
For Slave Modes and Master Mode when SM = 0:
 1 = Read strobe is active-high (PMRD)
 0 = Read strobe is active-low (PMRD)
For Master Mode when SM = 1:
 1 = Read/write strobe is active-high (PMRD/PMWR)
 0 = Read/Write strobe is active-low (PMRD/PMWR)
- bit 8 **SM:** Chip Select x Strobe Mode bit
 1 = Read/write and enable strobes (PMRD/PMWR and PMENB)
 0 = Read and write strobes (PMRD and PMWR)
- bit 7 **ACKP:** Chip Select x Acknowledge Polarity bit
 1 = ACK is active-high (PMACK1)
 0 = ACK is active-low (PMACK1)
- bit 6-5 **PTSZ[1:0]:** Chip Select x Port Size bits
 11 = Reserved
 10 = 16-bit port size (PMD[15:0])
 01 = 4-bit port size (PMD[3:0])
 00 = 8-bit port size (PMD[7:0])
- bit 4-0 **Unimplemented:** Read as '0'

PIC24FJ256GA412/GB412 FAMILY

REGISTER 21-6: PMCSxBS: EPMP CHIP SELECT x BASE ADDRESS REGISTER⁽²⁾

R/W ⁽¹⁾	R/W ⁽¹⁾	R/W ⁽¹⁾	R/W ⁽¹⁾	R/W ⁽¹⁾	R/W ⁽¹⁾	R/W ⁽¹⁾	R/W ⁽¹⁾
BASE[23:16]							
bit 15							bit 8

R/W ⁽¹⁾	U-0	U-0	U-0	U-0	U-0	U-0	U-0
BASE15	—	—	—	—	—	—	—
bit 7							bit 0

Legend:

R = Readable bit W = Writable bit U = Unimplemented bit, read as '0'
 -n = Value at POR '1' = Bit is set '0' = Bit is cleared x = Bit is unknown

bit 15-7 **BASE[23:15]:** Chip Select x Base Address bits⁽¹⁾

bit 6-0 **Unimplemented:** Read as '0'

Note 1: The value at POR is 0080h for PMCS1BS and 0880h for PMCS2BS.

2: If the whole PMCS2BS register is written together as 0000h, then the last EDS address for Chip Select 1 will be FFFFFFFh. In this case, Chip Select 2 should not be used. PMCS1BS has no such feature.

PIC24FJ256GA412/GB412 FAMILY

REGISTER 21-7: PMCSxMD: EPMP CHIP SELECT x MODE REGISTER

R/W-0	R/W-0	R/W-0	R/W-0	R/W-0	U-0	U-0	U-0
ACKM1	ACKM0	AMWAIT2	AMWAIT1	AMWAIT0	—	—	—
bit 15						bit 8	

R/W-0	R/W-0	R/W-0	R/W-0	R/W-0	R/W-0	R/W-0	R/W-0
DWAITB1	DWAITB0	DWAITM3	DWAITM2	DWAITM1	DWAITM0	DWAITE1	DWAITE0
bit 7						bit 0	

Legend:

R = Readable bit	W = Writable bit	U = Unimplemented bit, read as '0'
-n = Value at POR	'1' = Bit is set	'0' = Bit is cleared
		x = Bit is unknown

- bit 15-14 **ACKM[1:0]:** Chip Select x Acknowledge Mode bits
 11 = Reserved
 10 = PMACKx is used to determine when a read/write operation is complete
 01 = PMACKx is used to determine when a read/write operation is complete with time-out
 (If DWAITM[3:0] = 0000, the maximum time-out is 255 Tcy or else it is DWAITM[3:0] cycles.)
 00 = PMACKx is not used
- bit 13-11 **AMWAIT[2:0]:** Chip Select x Alternate Master Wait States bits
 111 = Wait of ten alternate master cycles
 ...
 001 = Wait of four alternate master cycles
 000 = Wait of three alternate master cycles
- bit 10-8 **Unimplemented:** Read as '0'
- bit 7-6 **DWAITB[1:0]:** Chip Select x Data Setup Before Read/Write Strobe Wait States bits
 11 = Wait of 3¼ Tcy
 10 = Wait of 2¼ Tcy
 01 = Wait of 1¼ Tcy
 00 = Wait of ¼ Tcy
- bit 5-2 **DWAITM[3:0]:** Chip Select x Data Read/Write Strobe Wait States bits
For Write Operations:
 1111 = Wait of 15½ Tcy
 ...
 0001 = Wait of 1½ Tcy
 0000 = Wait of ½ Tcy
For Read Operations:
 1111 = Wait of 15¾ Tcy
 ...
 0001 = Wait of 1¼ Tcy
 0000 = Wait of ¾ Tcy
- bit 1-0 **DWAITE[1:0]:** Chip Select x Data Hold After Read/Write Strobe Wait States bits
For Write Operations:
 11 = Wait of 3¼ Tcy
 10 = Wait of 2¼ Tcy
 01 = Wait of 1¼ Tcy
 00 = Wait of ¼ Tcy
For Read Operations:
 11 = Wait of 3 Tcy
 10 = Wait of 2 Tcy
 01 = Wait of 1 Tcy
 00 = Wait of 0 Tcy

PIC24FJ256GA412/GB412 FAMILY

REGISTER 21-8: PMSTAT: EPMP STATUS REGISTER (SLAVE MODE ONLY)

HSC/R-0	HS/R/W-0	U-0	U-0	HSC/R-0	HSC/R-0	HSC/R-0	HSC/R-0
IBF	IBOV	—	—	IB3F ⁽¹⁾	IB2F ⁽¹⁾	IB1F ⁽¹⁾	IB0F ⁽¹⁾
bit 15							bit 8

HSC/R-1	HS/R/W-0	U-0	U-0	HSC/R-1	HSC/R-1	HSC/R-1	HSC/R-1
OBE	OBUF	—	—	OB3E	OB2E	OB1E	OB0E
bit 7							bit 0

Legend:	HS = Hardware Settable bit	HSC = Hardware Settable/Clearable bit
R = Readable bit	W = Writable bit	U = Unimplemented bit, read as '0'
-n = Value at POR	'1' = Bit is set	'0' = Bit is cleared
		x = Bit is unknown

- bit 15 **IBF:** Input Buffer Full Status bit
 1 = All writable Input Buffer registers are full
 0 = Some or all of the writable Input Buffer registers are empty
- bit 14 **IBOV:** Input Buffer Overflow Status bit
 1 = A write attempt to a full Input register occurred (must be cleared in software)
 0 = No overflow occurred
- bit 13-12 **Unimplemented:** Read as '0'
- bit 11-8 **IB3F:IB0F:** Input Buffer x Status Full bits⁽¹⁾
 1 = Input buffer contains unread data (reading the buffer will clear this bit)
 0 = Input buffer does not contain unread data
- bit 7 **OBE:** Output Buffer Empty Status bit
 1 = All readable Output Buffer registers are empty
 0 = Some or all of the readable Output Buffer registers are full
- bit 6 **OBUF:** Output Buffer Underflow Status bit
 1 = A read occurred from an empty Output Buffer register (must be cleared in software)
 0 = No underflow occurred
- bit 5-4 **Unimplemented:** Read as '0'
- bit 3-0 **OB3E:OB0E:** Output Buffer x Status Empty bits
 1 = Output buffer is empty (writing data to the buffer will clear this bit)
 0 = Output buffer contains untransmitted data

Note 1: Even though an individual bit represents the byte in the buffer, the bits corresponding to the word (Byte 0 and 1, or Byte 2 and 3) get cleared, even on byte reading.

PIC24FJ256GA412/GB412 FAMILY

REGISTER 21-9: PADCON: PAD CONFIGURATION CONTROL REGISTER

R/W-0	U-0	U-0	U-0	U-0	U-0	U-0	U-0
IOCON	—	—	—	—	—	—	—
bit 15							bit 8

U-0	U-0	U-0	U-0	U-0	U-0	U-0	R/W-0
—	—	—	—	—	—	—	PMTTL
bit 7							bit 0

Legend:

R = Readable bit W = Writable bit U = Unimplemented bit, read as '0'
 -n = Value at POR '1' = Bit is set '0' = Bit is cleared x = Bit is unknown

- bit 15 **IOCON:** Interrupt-on-Change Enable bit
Not used by the EPMP; see [Register 11-1](#) for definition.
- bit 14-1 **Unimplemented:** Read as '0'
- bit 0 **PMTTL:** EPMP Module TTL Input Buffer Select bit
 - 1 = EPMP module inputs (PMDx, PMCS1) use TTL input buffers
 - 0 = EPMP module inputs use Schmitt Trigger input buffers

PIC24FJ256GA412/GB412 FAMILY

NOTES:

PIC24FJ256GA412/GB412 FAMILY

22.0 LIQUID CRYSTAL DISPLAY (LCD) CONTROLLER

Note: This data sheet summarizes the features of the PIC24FJ256GA412/GB412 family devices. It is not intended to be a comprehensive reference source. To complement the information in this data sheet, refer to the “dsPIC33/PIC24 Family Reference Manual”, “Liquid Crystal Display (LCD)” (www.microchip.com/DS30009740) which is available from the Microchip website (www.microchip.com).

The Liquid Crystal Display (LCD) Controller generates the data and timing control required to directly drive a static or multiplexed LCD panel. The module can drive up to 8 Commons signals on all devices, and from 34 to 64 Segments, depending on the specific device.

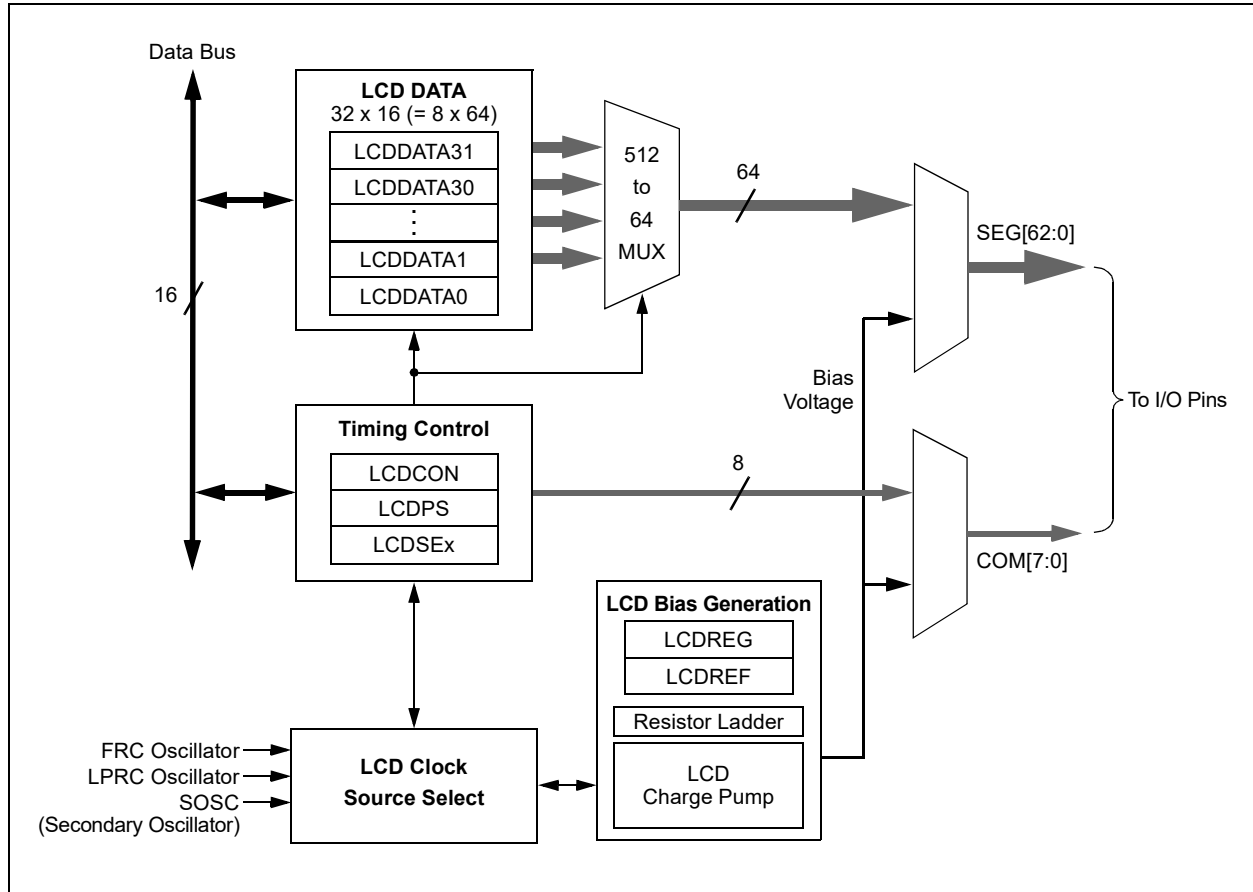
Note: To be driven by the LCD controller, pins must be set as analog inputs. For the port corresponding to the desired Common or Segment pin, set TRISx = 1 and ANSx = 1.

The LCD Controller has these features:

- Direct Driving of LCD Panel
- Three LCD Clock Sources with Selectable Prescaler
- Up to Eight Commons:
 - Static (one Common)
 - 1/2 multiplex (two Commons)
 - 1/3 multiplex (three Commons)
 - 1/8 multiplex (eight Commons)
- Ability to Drive up to 34 (in 64-pin USB devices), 35 (64-pin non-USB devices) or up to 64 (all other devices) Segments, depending on the Multiplexing Mode Selected
- Static, 1/2 or 1/3 LCD Bias
- On-Chip Bias Generator with Dedicated Charge Pump to Support a Range of Fixed and Variable Bias Options
- Internal Resistors for Bias Voltage Generation
- Software Contrast Control for LCD using Internal Biasing

A simplified block diagram of the module is shown in Figure 22-1.

FIGURE 22-1: LCD CONTROLLER MODULE BLOCK DIAGRAM



PIC24FJ256GA412/GB412 FAMILY

22.1 Registers

The LCD Controller has up to 40 registers:

- LCD Control Register (LCDCON)
- LCD Charge Pump Control Register (LCDREG)
- LCD Phase Register (LCDPS)
- LCD Voltage Ladder Control Register (LCDREF)
- Four LCD Segment Enable Registers (LCDSE3:LCDSE0)
- Up to 32 LCD Data Registers (LCDDATA31:LCDDATA0)

REGISTER 22-1: LCDCON: LCD CONTROL REGISTER

R/W-0	U-0	R/W-0	U-0	U-0	U-0	U-0	U-0
LCDEN	—	LCDSIDL	—	—	—	—	—
bit 15							bit 8

U-0	R/W-0	R/C-0	R/W-0	R/W-0	R/W-0	R/W-0	R/W-0
—	SLPEN	WERR	CS1	CS0	LMUX2	LMUX1	LMUX0
bit 7							bit 0

Legend:	C = Clearable bit	W = Writable bit	U = Unimplemented bit, read as '0'
R = Readable bit	W = Writable bit	U = Unimplemented bit, read as '0'	
-n = Value at POR	'1' = Bit is set	'0' = Bit is cleared	x = Bit is unknown

bit 15 **LCDEN:** LCD Driver Enable bit
 1 = LCD driver module is enabled
 0 = LCD driver module is disabled

bit 14 **Unimplemented:** Read as '0'

bit 13 **LCDSIDL:** Stop LCD Drive in CPU Idle Mode Control bit
 1 = LCD driver halts in CPU Idle mode
 0 = LCD driver continues to operate in CPU Idle mode

bit 12-7 **Unimplemented:** Read as '0'

bit 6 **SLPEN:** LCD Driver Enable in Sleep Mode bit
 1 = LCD driver module is disabled in Sleep mode
 0 = LCD driver module is enabled in Sleep mode

bit 5 **WERR:** LCD Write Failed Error bit
 1 = LCDDATAx register is written while WA (LCDPS[4]) = 0 (must be cleared in software)
 0 = No LCD write error

bit 4-3 **CS[1:0]:** Clock Source Select bits
 1x = SOSC
 01 = LPRC
 00 = FRC

bit 2-0 **LMUX[2:0]:** LCD Commons Select bits

LMUX[2:0]	Multiplex	Bias
111	1/8 MUX (COM[7:0]) ⁽¹⁾	1/3
110	1/7 MUX (COM[6:0]) ⁽¹⁾	1/3
101	1/6 MUX (COM[5:0]) ⁽¹⁾	1/3
100	1/5 MUX (COM[4:0]) ⁽¹⁾	1/3
011	1/4 MUX (COM[3:0])	1/3
010	1/3 MUX (COM[2:0])	1/2 or 1/3
001	1/2 MUX (COM[1:0])	1/2 or 1/3
000	Static (COM0)	Static

Note 1: On 64-pin and 100-pin devices, COM4 through COM7 also have Segment functionality. If the COM is enabled in multiplexing, the Segment will not be available on that pin.

PIC24FJ256GA412/GB412 FAMILY

REGISTER 22-2: LCDREG: LCD CHARGE PUMP CONTROL REGISTER

RW-0	U-0	U-0	U-0	U-0	U-0	U-0	U-0
CPEN	—	—	—	—	—	—	—
bit 15							bit 8

U-0	U-0	U-0	U-0	U-0	U-0	RW-0	RW-0
—	—	—	—	—	—	CKSEL[1:0]	
bit 7						bit 0	

Legend:

R = Readable bit W = Writable bit U = Unimplemented bit, read as '0'
 -n = Value at POR '1' = Bit is set '0' = Bit is cleared x = Bit is unknown

- bit 15 **CPEN:** 3.6V Charge Pump Enable bit
 1 = The regulator generates the highest (3.6V) voltage
 0 = Highest voltage in the system is supplied externally (AVDD)
- bit 14-2 **Unimplemented:** Read as '0'
- bit 1-0 **CLKSEL[1:0]:** Regulator Clock Select Control bits
 11 = SOSC
 10 = 8 MHz FRC
 01 = 31 kHz LPRC
 00 = Disables regulator and floats regulator voltage output

PIC24FJ256GA412/GB412 FAMILY

REGISTER 22-3: LCDPS: LCD PHASE REGISTER

U-0	U-0	U-0	U-0	U-0	U-0	U-0	U-0
—	—	—	—	—	—	—	—
bit 15							bit 8

R/W-0	R/W-0	R-0	R-0	R/W-0	R/W-0	R/W-0	R/W-0
WFT	BIASMD	LCDA	WA	LP3	LP2	LP1	LP0
bit 7							bit 0

Legend:

R = Readable bit W = Writable bit U = Unimplemented bit, read as '0'
 -n = Value at POR '1' = Bit is set '0' = Bit is cleared x = Bit is unknown

- bit 15-8 **Unimplemented:** Read as '0'
- bit 7 **WFT:** Waveform Type Select bit
 - 1 = Type-B waveform (phase changes on each frame boundary)
 - 0 = Type-A waveform (phase changes within each Common type)
- bit 6 **BIASMD:** Bias Mode Select bit
 - When LMUX[2:0] = 000 or 011 through 111:
 - 0 = Static Bias mode (do not set this bit to '1')
 - When LMUX[2:0] = 001 or 010:
 - 1 = 1/2 Bias mode
 - 0 = 1/3 Bias mode
- bit 5 **LCDA:** LCD Active Status bit
 - 1 = LCD driver module is active
 - 0 = LCD driver module is inactive
- bit 4 **WA:** LCD Write Allow Status bit
 - 1 = Write into the LCDDATAx registers is allowed
 - 0 = Write into the LCDDATAx registers is not allowed
- bit 3-0 **LP[3:0]:** LCD Prescaler Select bits
 - 1111 = 1:16
 - 1110 = 1:15
 - 1101 = 1:14
 - 1100 = 1:13
 - 1011 = 1:12
 - 1010 = 1:11
 - 1001 = 1:10
 - 1000 = 1:9
 - 0111 = 1:8
 - 0110 = 1:7
 - 0101 = 1:6
 - 0100 = 1:5
 - 0011 = 1:4
 - 0010 = 1:3
 - 0001 = 1:2
 - 0000 = 1:1

PIC24FJ256GA412/GB412 FAMILY

REGISTER 22-4: LCDSE_x: LCD SEGMENT x ENABLE REGISTER

R/W-0	R/W-0	R/W-0	R/W-0	R/W-0	R/W-0	R/W-0	R/W-0
SE(n+15) ^(1,2)	SE(n+14)	SE(n+13)	SE(n+12)	SE(n+11)	SE(n+10)	SE(n+9)	SE(n+8)
bit 15							bit 8

R/W-0	R/W-0	R/W-0	R/W-0	R/W-0	R/W-0	R/W-0	R/W-0
SE(n+7)	SE(n+6)	SE(n+5)	SE(n+4)	SE(n+3)	SE(n+2)	SE(n+1)	SE(n)
bit 7							bit 0

Legend:

R = Readable bit W = Writable bit U = Unimplemented bit, read as '0'
 -n = Value at POR '1' = Bit is set '0' = Bit is cleared x = Bit is unknown

bit 15-0 **SE(n+15):SE(n)**: Segment Enable bits
 For LCDSE0: n = 0
 For LCDSE1: n = 16
 For LCDSE2: n = 32
 For LCDSE3: n = 48^(1,2)
 1 = Segment function of the pin is enabled, digital I/O is disabled
 0 = Segment function of the pin is disabled, digital I/O is enabled

- Note 1:** SE63 (LCDSE3[15]) is not implemented.
Note 2: For the SEG49 to work correctly, the JTAG needs to be disabled.

REGISTER 22-5: LCDDATA_x: LCD DATA x REGISTER

R/W-0	R/W-0	R/W-0	R/W-0	R/W-0	R/W-0	R/W-0	R/W-0
S(n+15)Cy	S(n+14)Cy	S(n+13)Cy	S(n+12)Cy	S(n+11)Cy	S(n+10)Cy	S(n+9)Cy	S(n+8)Cy
bit 15							bit 8

R/W-0	R/W-0	R/W-0	R/W-0	R/W-0	R/W-0	R/W-0	R/W-0
S(n+7)Cy	S(n+6)Cy	S(n+5)Cy	S(n+4)Cy	S(n+3)Cy	S(n+2)Cy	S(n+1)Cy	S(n)Cy
bit 7							bit 0

Legend:

R = Readable bit W = Writable bit U = Unimplemented bit, read as '0'
 -n = Value at POR '1' = Bit is set '0' = Bit is cleared x = Bit is unknown

bit 15-0 **S(n+15)Cy:S(n)Cy**: Pixel On bits
 For Registers, LCDDATA0 through LCDDATA3: n = (16x), y = 0
 For Registers, LCDDATA4 through LCDDATA7: n = (16(x - 4)), y = 1
 For Registers, LCDDATA8 through LCDDATA11: n = (16(x - 8)), y = 2
 For Registers, LCDDATA12 through LCDDATA15: n = (16(x - 12)), y = 3
 For Registers, LCDDATA16 through LCDDATA19: n = (16(x - 16)), y = 4
 For Registers, LCDDATA20 through LCDDATA23: n = (16(x - 20)), y = 5
 For Registers, LCDDATA24 through LCDDATA27: n = (16(x - 24)), y = 6
 For Registers, LCDDATA28 through LCDDATA31: n = (16(x - 28)), y = 7
 1 = Pixel is on
 0 = Pixel is off

PIC24FJ256GA412/GB412 FAMILY

TABLE 22-1: LCDDATA REGISTERS AND BITS FOR SEGMENT AND COM COMBINATIONS

COM Lines	Segments			
	0 to 15	16 to 31	32 to 47	48 to 64
0	LCDDATA0 S00C0:S15C0	LCDDATA1 S16C0:S31C0	LCDDATA2 S32C0:S47C0	LCDDATA3 S48C0:S63C0
1	LCDDATA4 S00C1:S15C1	LCDDATA5 S16C1:S31C1	LCDDATA6 S32C1:S47C1	LCDDATA7 S48C1:S63C1
2	LCDDATA8 S00C2:S15C2	LCDDATA9 S16C2:S31C2	LCDDATA10 S32C2:S47C2	LCDDATA11 S48C2:S63C2
3	LCDDATA12 S00C3:S15C3	LCDDATA13 S16C3:S31C3	LCDDATA14 S32C3:S47C3	LCDDATA15 S48C3:S63C3
4	LCDDATA16 S00C4:S15C4	LCDDATA17 S16C4:S31C4	LCDDATA18 S32C4:S47C4	LCDDATA19 S48C4:S59C4
5	LCDDATA20 S00C5:S15C5	LCDDATA21 S16C5:S31C5	LCDDATA22 S32C5:S47C5	LCDDATA23 S48C5:S69C5
6	LCDDATA24 S00C6:S15C6	LCDDATA25 S16C6:S31C6	LCDDATA26 S32C6:S47C6	LCDDATA27 S48C6:S59C6
7	LCDDATA28 S00C7:S15C7	LCDDATA29 S16C7:S31C7	LCDDATA30 S32C7:S47C7	LCDDATA31 S48C7:S59C7

PIC24FJ256GA412/GB412 FAMILY

REGISTER 22-6: LCDREF: LCD REFERENCE LADDER CONTROL REGISTER

R/W-0	U-0	R/W-0	R/W-0	R/W-0	R/W-0	R/W-0	R/W-0
LCDIRE	—	LCDCST2	LCDCST1	LCDCST0	VLCD3PE	VLCD2PE	VLCD1PE
bit 15							bit 8

R/W-0	R/W-0	R/W-0	R/W-0	U-0	R/W-0	R/W-0	R/W-0
LRLAP1	LRLAP0	LRLBP1	LRLBP0	—	LRLAT2	LRLAT1	LRLAT0
bit 7							bit 0

Legend:

R = Readable bit W = Writable bit U = Unimplemented bit, read as '0'
 -n = Value at POR '1' = Bit is set '0' = Bit is cleared x = Bit is unknown

- bit 15 **LCDI****RE**: LCD Internal Reference Enable bit
 1 = Internal LCD reference is enabled and connected to the internal contrast control circuit
 0 = Internal LCD reference is disabled
- bit 14 **Unimplemented**: Read as '0'
- bit 13-11 **LCDCST[2:0]**: LCD Contrast Control bits
Selects the Resistance of the LCD Contrast Control Resistor Ladder:
 111 = Resistor ladder is at maximum resistance (minimum contrast)
 110 = Resistor ladder is at 6/7th of maximum resistance
 101 = Resistor ladder is at 5/7th of maximum resistance
 100 = Resistor ladder is at 4/7th of maximum resistance
 011 = Resistor ladder is at 3/7th of maximum resistance
 010 = Resistor ladder is at 2/7th of maximum resistance
 001 = Resistor ladder is at 1/7th of maximum resistance
 000 = Minimum resistance (maximum contrast); resistor ladder is shorted
- bit 10 **VLCD3PE**: LCD Bias 3 Pin Enable bit
 1 = Bias 3 level is connected to the external pin, LCDBIAS3
 0 = Bias 3 level is internal (internal resistor ladder)
- bit 9 **VLCD2PE**: LCD Bias 2 Pin Enable bit
 1 = Bias 2 level is connected to the external pin, LCDBIAS2
 0 = Bias 2 level is internal (internal resistor ladder)
- bit 8 **VLCD1PE**: LCD Bias 1 Pin Enable bit
 1 = Bias 1 level is connected to the external pin, LCDBIAS1
 0 = Bias 1 level is internal (internal resistor ladder)
- bit 7-6 **LRLAP[1:0]**: LCD Reference Ladder A Time Power Control bits
During Time Interval A:
 11 = Internal LCD reference ladder is powered in High-Power mode
 10 = Internal LCD reference ladder is powered in Medium Power mode
 01 = Internal LCD reference ladder is powered in Low-Power mode
 00 = Internal LCD reference ladder is powered down and unconnected
- bit 5-4 **LRLBP[1:0]**: LCD Reference Ladder B Time Power Control bits
During Time Interval B:
 11 = Internal LCD reference ladder is powered in High-Power mode
 10 = Internal LCD reference ladder is powered in Medium Power mode
 01 = Internal LCD reference ladder is powered in Low-Power mode
 00 = Internal LCD reference ladder is powered down and unconnected
- bit 3 **Unimplemented**: Read as '0'

PIC24FJ256GA412/GB412 FAMILY

REGISTER 22-6: LCDREF: LCD REFERENCE LADDER CONTROL REGISTER (CONTINUED)

bit 2-0 **LRLAT[2:0]**: LCD Reference Ladder A Time Interval Control bits

Sets the number of 32 clock counts when the A Time Interval Power mode is active.

For Type-A Waveforms (WFT = 0):

111 = Internal LCD reference ladder is in A Power mode for 7 clocks and B Power mode for 9 clocks

110 = Internal LCD reference ladder is in A Power mode for 6 clocks and B Power mode for 10 clocks

101 = Internal LCD reference ladder is in A Power mode for 5 clocks and B Power mode for 11 clocks

100 = Internal LCD reference ladder is in A Power mode for 4 clocks and B Power mode for 12 clocks

011 = Internal LCD reference ladder is in A Power mode for 3 clocks and B Power mode for 13 clocks

010 = Internal LCD reference ladder is in A Power mode for 2 clocks and B Power mode for 14 clocks

001 = Internal LCD reference ladder is in A Power mode for 1 clock and B Power mode for 15 clocks

000 = Internal LCD reference ladder is always in B Power mode

For Type-B Waveforms (WFT = 1):

111 = Internal LCD reference ladder is in A Power mode for 7 clocks and B Power mode for 25 clocks

110 = Internal LCD reference ladder is in A Power mode for 6 clocks and B Power mode for 26 clocks

101 = Internal LCD reference ladder is in A Power mode for 5 clocks and B Power mode for 27 clocks

100 = Internal LCD reference ladder is in A Power mode for 4 clocks and B Power mode for 28 clocks

011 = Internal LCD reference ladder is in A Power mode for 3 clocks and B Power mode for 29 clocks

010 = Internal LCD reference ladder is in A Power mode for 2 clocks and B Power mode for 30 clocks

001 = Internal LCD reference ladder is in A Power mode for 1 clock and B Power mode for 31 clocks

000 = Internal LCD reference ladder is always in B Power mode

PIC24FJ256GA412/GB412 FAMILY

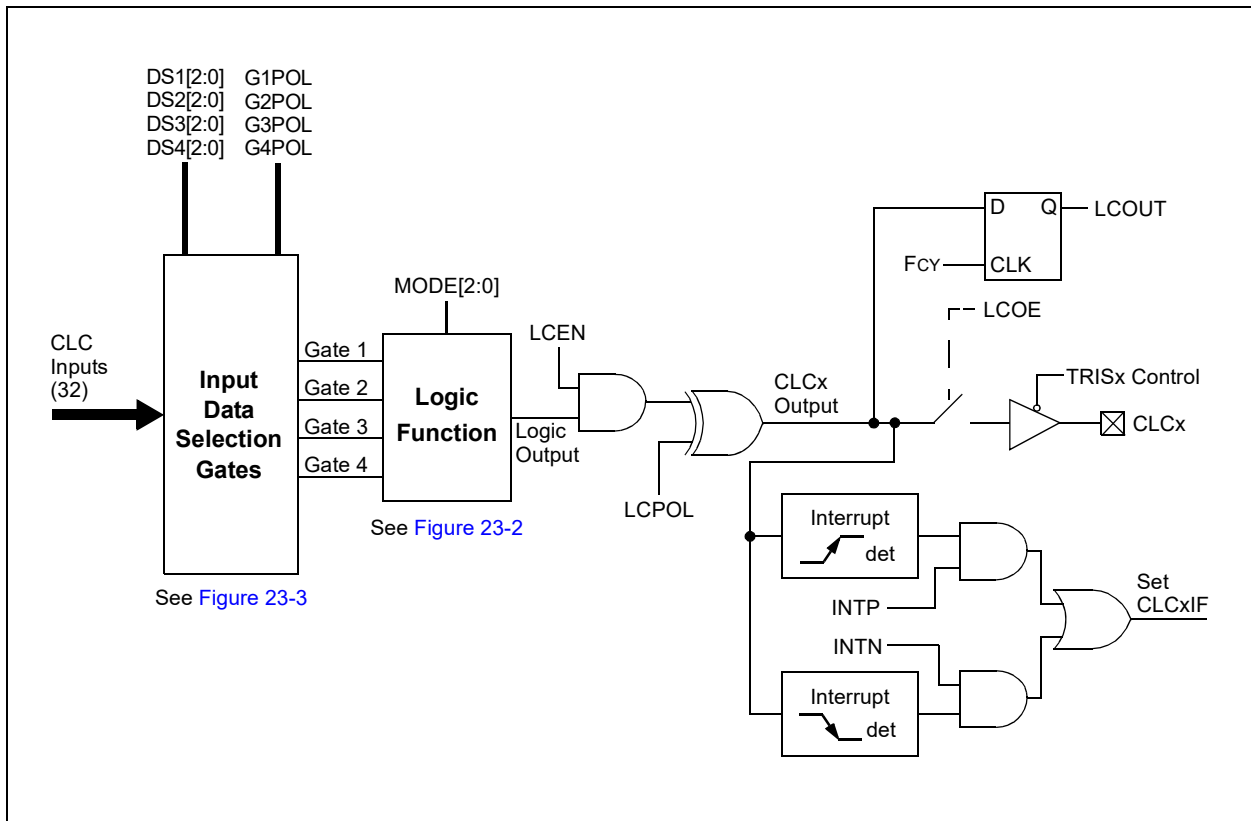
23.0 CONFIGURABLE LOGIC CELL (CLC)

Note: This data sheet summarizes the features of the PIC24FJ256GA412/GB412 family devices. It is not intended to be a comprehensive reference source. To complement the information in this data sheet, refer to the “dsPIC33/PIC24 Family Reference Manual”, “Configurable Logic Cell (CLC)” (www.microchip.com/DS33949), which is available from the Microchip website (www.microchip.com).

The Configurable Logic Cell (CLC) module allows the user to specify combinations of signals as inputs to a logic function and to use the logic output to control other peripherals or I/O pins. This provides greater flexibility and potential in embedded designs since the CLC module can operate outside the limitations of software execution and supports a vast amount of output designs.

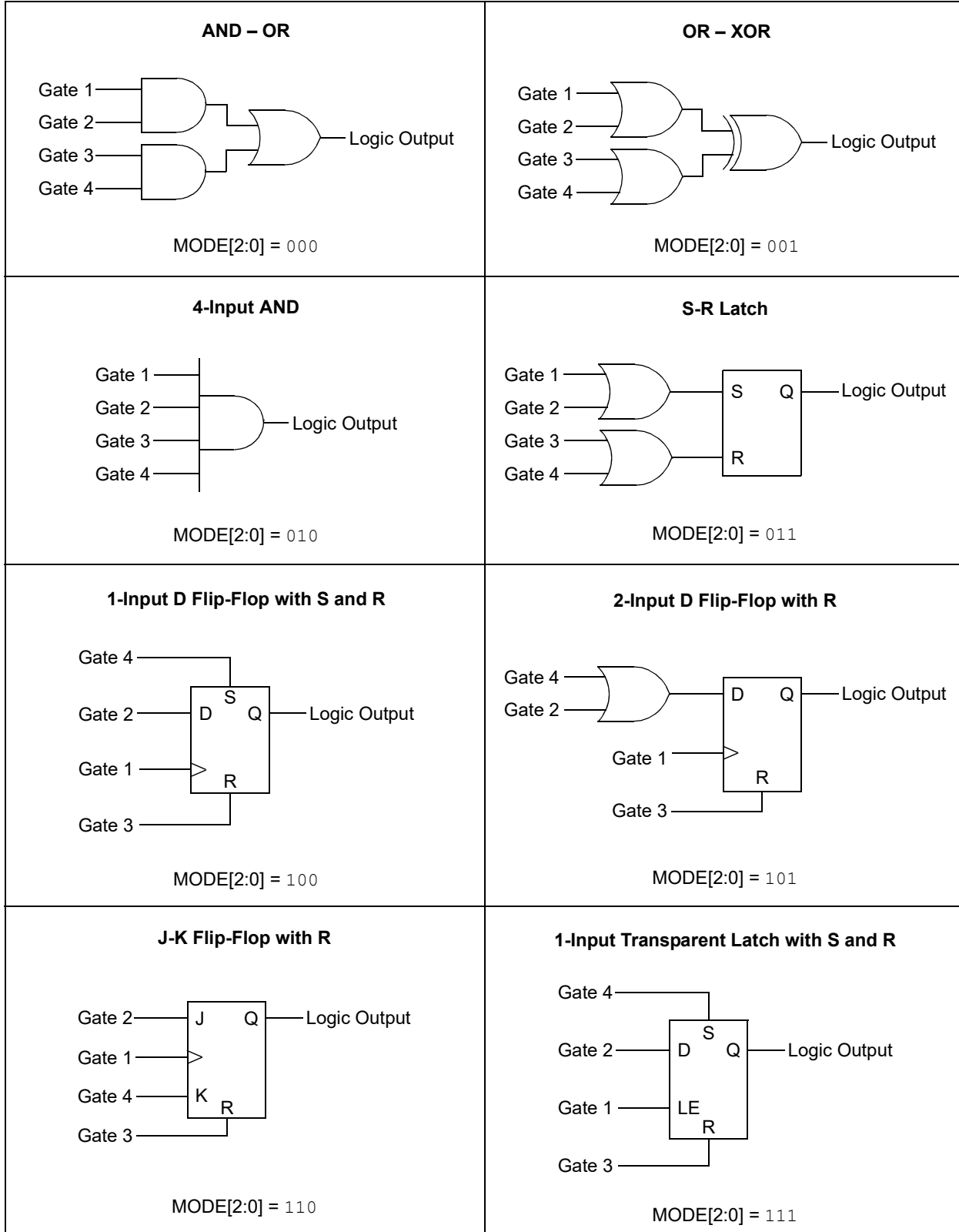
There are four input gates to the selected logic function. These four input gates select from a pool of up to 32 signals that are selected using four data source selection multiplexers. Figure 23-1 shows an overview of the module. Figure 23-3 shows the details of the data source multiplexers and logic input gate connections.

FIGURE 23-1: CLCx MODULE



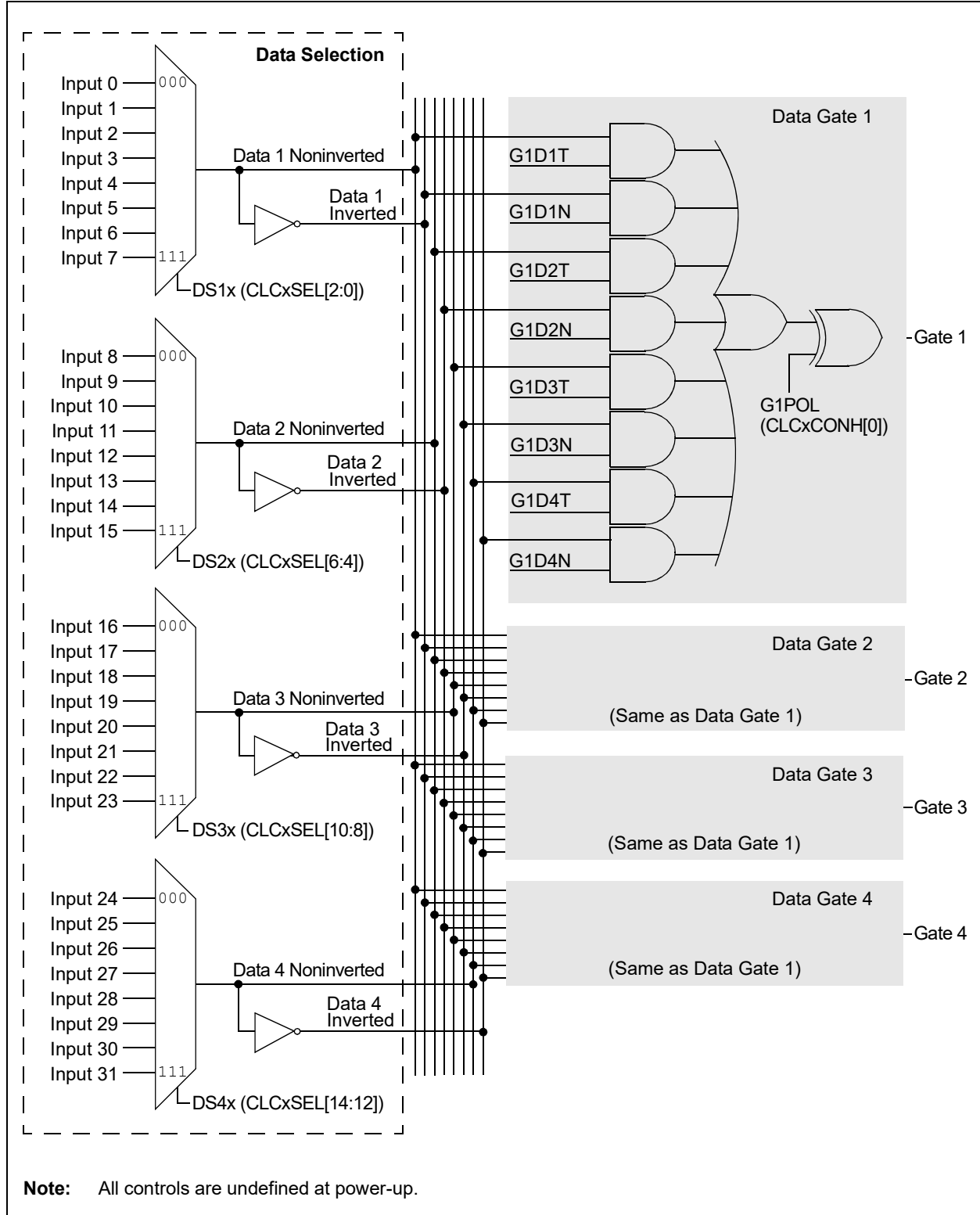
PIC24FJ256GA412/GB412 FAMILY

FIGURE 23-2: CLCx LOGIC FUNCTION COMBINATORIAL OPTIONS



PIC24FJ256GA412/GB412 FAMILY

FIGURE 23-3: CLCx INPUT SOURCE SELECTION DIAGRAM



PIC24FJ256GA412/GB412 FAMILY

23.1 Control Registers

The CLCx module is controlled by the following registers:

- CLCxCONL
- CLCxCONH
- CLCxSEL
- CLCxGLSL
- CLCxGLSH

The CLCx Control registers (CLCxCONL and CLCxCONH) are used to enable the module and interrupts, control the output enable bit, select output polarity and select the logic function. The CLCx Control registers also allow the user to control the logic polarity of not only the cell output, but also some intermediate variables.

The CLCx Input MUX Select register (CLCxSEL) allows the user to select up to four data input sources using the four data input selection multiplexers. Each multiplexer has a list of eight data sources available.

The CLCx Gate Logic Input Select registers (CLCxGLSL and CLCxGLSH) allow the user to select which outputs from each of the selection MUXes are used as inputs to the input gates of the logic cell. Each data source MUX outputs both a true and a negated version of its output. All of these 8 signals are enabled, ORed together by the logic cell input gates.

REGISTER 23-1: CLCxCONL: CLCx CONTROL REGISTER (LOW)

R/W-0	U-0	U-0	U-0	R/W-0	R/W-0	U-0	U-0
LCEN	—	—	—	INTP	INTN	—	—
bit 15				bit 8			

R-0	R-0	R/W-0	U-0	U-0	R/W-0	R/W-0	R/W-0
LCOE	LCOUT	LCPOL	—	—	MODE2	MODE1	MODE0
bit 7				bit 0			

Legend:

R = Readable bit	W = Writable bit	U = Unimplemented bit, read as '0'
-n = Value at POR	'1' = Bit is set	'0' = Bit is cleared x = Bit is unknown

- bit 15 **LCEN:** CLCx Enable bit
1 = CLCx is enabled and mixing input signals
0 = CLCx is disabled and has logic zero outputs
- bit 14-12 **Unimplemented:** Read as '0'
- bit 11 **INTP:** CLCx Positive Edge Interrupt Enable bit
1 = Interrupt will be generated when a rising edge occurs on LCOUT
0 = Interrupt will not be generated
- bit 10 **INTN:** CLCx Negative Edge Interrupt Enable bit
1 = Interrupt will be generated when a falling edge occurs on LCOUT
0 = Interrupt will not be generated
- bit 9-8 **Unimplemented:** Read as '0'
- bit 7 **LCOE:** CLCx Port Enable bit
1 = CLCx port pin output is enabled
0 = CLCx port pin output is disabled
- bit 6 **LCOUT:** CLCx Data Output Status bit
1 = CLCx output high
0 = CLCx output low
- bit 5 **LCPOL:** CLCx Output Polarity Control bit
1 = The output of the module is inverted
0 = The output of the module is not inverted
- bit 4-3 **Unimplemented:** Read as '0'

PIC24FJ256GA412/GB412 FAMILY

REGISTER 23-1: CLCxCONL: CLCx CONTROL REGISTER (LOW) (CONTINUED)

bit 2-0 **MODE[2:0]:** CLCx Mode bits
 111 = Single input transparent latch with S and R
 110 = JK flip-flop with R
 101 = Two-input D flip-flop with R
 100 = Single input D flip-flop with S and R
 011 = SR latch
 010 = Four-input AND
 001 = Four-input OR-XOR
 000 = Four-input AND-OR

REGISTER 23-2: CLCxCONH: CLCx CONTROL REGISTER (HIGH)

U-0	U-0	U-0	U-0	U-0	U-0	U-0	U-0
—	—	—	—	—	—	—	—
bit 15							bit 8

U-0	U-0	U-0	U-0	R/W-0	R/W-0	R/W-0	R/W-0
—	—	—	—	G4POL	G3POL	G2POL	G1POL
bit 7							bit 0

Legend:

R = Readable bit W = Writable bit U = Unimplemented bit, read as '0'
 -n = Value at POR '1' = Bit is set '0' = Bit is cleared x = Bit is unknown

bit 15-4 **Unimplemented:** Read as '0'
 bit 3 **G4POL:** Gate 4 Polarity Control bit
 1 = Channel 4 logic output is inverted when applied to the logic cell
 0 = Channel 4 logic output is not inverted
 bit 2 **G3POL:** Gate 3 Polarity Control bit
 1 = Channel 3 logic output is inverted when applied to the logic cell
 0 = Channel 3 logic output is not inverted
 bit 1 **G2POL:** Gate 2 Polarity Control bit
 1 = Channel 2 logic output is inverted when applied to the logic cell
 0 = Channel 2 logic output is not inverted
 bit 0 **G1POL:** Gate 1 Polarity Control bit
 1 = Channel 1 logic output is inverted when applied to the logic cell
 0 = Channel 1 logic output is not inverted

PIC24FJ256GA412/GB412 FAMILY

REGISTER 23-3: CLCxSEL: CLCx INPUT MUX SELECT REGISTER

U-0	R/W-0	R/W-0	R/W-0	U-0	R/W-0	R/W-0	R/W-0
—	DS4[2:0]			—	DS3[2:0]		
bit 15				bit 8			

U-0	R/W-0	R/W-0	R/W-0	U-0	R/W-0	R/W-0	R/W-0
—	DS2[2:0]			—	DS1[2:0]		
bit 7				bit 0			

Legend:

R = Readable bit W = Writable bit U = Unimplemented bit, read as '0'
 -n = Value at POR '1' = Bit is set '0' = Bit is cleared x = Bit is unknown

bit 15 **Unimplemented:** Read as '0'

bit 14-12 **DS4[2:0]:** Data Selection MUX 4 Signal Selection bits

- 111 = SCCP3 Compare Event Flag (CCP3IF)
- 110 = MCCP1 Compare Event Flag (CCP1IF)
- 101 = Unimplemented
- 100 = CTMU A/D trigger
- 011 = SPIx Input (SDIx) corresponding to CLCx module (see [Table 23-1](#))
- 010 = Comparator 3 output
- 001 = Module-specific CLC output (see [Table 23-1](#))
- 000 = CLCINB I/O pin

bit 11 **Unimplemented:** Read as '0'

bit 10-8 **DS3[2:0]:** Data Selection MUX 3 Signal Selection bits

- 111 = SCCP3 Compare Event Flag (CCP3IF)
- 110 = SCCP2 Compare Event Flag (CCP2IF)
- 101 = DMA Channel 1 interrupt
- 100 = UARTx RX output corresponding to CLCx module (see [Table 23-1](#))
- 011 = SPIx Output (SDOx) corresponding to CLCx module (see [Table 23-1](#))
- 010 = Comparator 2 output
- 001 = CLCx output (see [Table 23-1](#))
- 000 = CLCINA I/O pin

bit 7 **Unimplemented:** Read as '0'

bit 6-4 **DS2[2:0]:** Data Selection MUX 2 Signal Selection bits

- 111 = SCCP2 Compare Event Flag (CCP2IF)
- 110 = MCCP1 Compare Event Flag (CCP1IF)
- 101 = DMA Channel 0 interrupt
- 100 = A/D conversion done interrupt
- 011 = UARTx TX input corresponding to CLCx module (see [Table 23-1](#))
- 010 = Comparator 1 output
- 001 = CLCx output (see [Table 23-1](#))
- 000 = CLCINB I/O pin

bit 3 **Unimplemented:** Read as '0'

bit 2-0 **DS1[2:0]:** Data Selection MUX 1 Signal Selection bits

- 111 = Timer3 match event
- 110 = Timer2 match event
- 101 = Unimplemented
- 100 = REFO output
- 011 = INTRC/LPRC clock source
- 010 = SOSC clock source
- 001 = System clock (TCY)
- 000 = CLCINA I/O pin

PIC24FJ256GA412/GB412 FAMILY

TABLE 23-1: MODULE-SPECIFIC INPUT DATA SOURCES

Bit Field Value		Input Source			
		CLC1	CLC2	CLC3	CLC4
DS4[2:0]	011	SDI1	SDI2	SDI3	SDI4
	001	CLC2 Output	CLC1 Output	CLC4 Output	CLC3 Output
DS3[2:0]	100	U1RX	U2RX	U3RX	U4RX
	011	SDO1	SDO2	SDO3	SDO4
	001	CLC1 Output	CLC2 Output	CLC3 Output	CLC4 Output
DS2[2:0]	011	U1TX	U2TX	U3TX	U4TX
	001	CLC2 Output	CLC1 Output	CLC4 Output	CLC3 Output

REGISTER 23-4: CLCxGLSL: CLCx GATE LOGIC INPUT SELECT LOW REGISTER

R/W-0	R/W-0	R/W-0	R/W-0	R/W-0	R/W-0	R/W-0	R/W-0
G2D4T	G2D4N	G2D3T	G2D3N	G2D2T	G2D2N	G2D1T	G2D1N
bit 15						bit 8	

R/W-0	R/W-0	R/W-0	R/W-0	R/W-0	R/W-0	R/W-0	R/W-0
G1D4T	G1D4N	G1D3T	G1D3N	G1D2T	G1D2N	G1D1T	G1D1N
bit 7						bit 0	

Legend:

R = Readable bit W = Writable bit U = Unimplemented bit, read as '0'
 -n = Value at POR '1' = Bit is set '0' = Bit is cleared x = Bit is unknown

- bit 15 **G2D4T:** Gate 2 Data Source 4 True Enable bit
 1 = Data Source 4 inverted signal is enabled for Gate 2
 0 = Data Source 4 inverted signal is disabled for Gate 2
- bit 14 **G2D4N:** Gate 2 Data Source 4 Negated Enable bit
 1 = Data Source 4 inverted signal is enabled for Gate 2
 0 = Data Source 4 inverted signal is disabled for Gate 2
- bit 13 **G2D3T:** Gate 2 Data Source 3 True Enable bit
 1 = Data Source 3 inverted signal is enabled for Gate 2
 0 = Data Source 3 inverted signal is disabled for Gate 2
- bit 12 **G2D3N:** Gate 2 Data Source 3 Negated Enable bit
 1 = Data Source 3 inverted signal is enabled for Gate 2
 0 = Data Source 3 inverted signal is disabled for Gate 2
- bit 11 **G2D2T:** Gate 2 Data Source 2 True Enable bit
 1 = Data Source 2 inverted signal is enabled for Gate 2
 0 = Data Source 2 inverted signal is disabled for Gate 2
- bit 10 **G2D2N:** Gate 2 Data Source 2 Negated Enable bit
 1 = Data Source 2 inverted signal is enabled for Gate 2
 0 = Data Source 2 inverted signal is disabled for Gate 2
- bit 9 **G2D1T:** Gate 2 Data Source 1 True Enable bit
 1 = Data Source 1 inverted signal is enabled for Gate 2
 0 = Data Source 1 inverted signal is disabled for Gate 2

PIC24FJ256GA412/GB412 FAMILY

REGISTER 23-4: CLCxGLSL: CLCx GATE LOGIC INPUT SELECT LOW REGISTER (CONTINUED)

bit 8	G2D1N: Gate 2 Data Source 1 Negated Enable bit 1 = Data Source 1 inverted signal is enabled for Gate 2 0 = Data Source 1 inverted signal is disabled for Gate 2
bit 7	G1D4T: Gate 1 Data Source 4 True Enable bit 1 = Data Source 4 inverted signal is enabled for Gate 1 0 = Data Source 4 inverted signal is disabled for Gate 1
bit 6	G1D4N: Gate 1 Data Source 4 Negated Enable bit 1 = Data Source 4 inverted signal is enabled for Gate 1 0 = Data Source 4 inverted signal is disabled for Gate 1
bit 5	G1D3T: Gate 1 Data Source 3 True Enable bit 1 = Data Source 3 inverted signal is enabled for Gate 1 0 = Data Source 3 inverted signal is disabled for Gate 1
bit 4	G1D3N: Gate 1 Data Source 3 Negated Enable bit 1 = Data Source 3 inverted signal is enabled for Gate 1 0 = Data Source 3 inverted signal is disabled for Gate 1
bit 3	G1D2T: Gate 1 Data Source 2 True Enable bit 1 = Data Source 2 inverted signal is enabled for Gate 1 0 = Data Source 2 inverted signal is disabled for Gate 1
bit 2	G1D2N: Gate 1 Data Source 2 Negated Enable bit 1 = Data Source 2 inverted signal is enabled for Gate 1 0 = Data Source 2 inverted signal is disabled for Gate 1
bit 1	G1D1T: Gate 1 Data Source 1 True Enable bit 1 = Data Source 1 inverted signal is enabled for Gate 1 0 = Data Source 1 inverted signal is disabled for Gate 1
bit 0	G1D1N: Gate 1 Data Source 1 Negated Enable bit 1 = Data Source 1 inverted signal is enabled for Gate 1 0 = Data Source 1 inverted signal is disabled for Gate 1

PIC24FJ256GA412/GB412 FAMILY

REGISTER 23-5: CLCxGLSH: CLCx GATE LOGIC INPUT SELECT HIGH REGISTER

R/W-0	R/W-0	R/W-0	R/W-0	R/W-0	R/W-0	R/W-0	R/W-0
G4D4T	G4D4N	G4D3T	G4D3N	G4D2T	G4D2N	G4D1T	G4D1N
bit 15						bit 8	

R/W-0	R/W-0	R/W-0	R/W-0	R/W-0	R/W-0	R/W-0	R/W-0
G3D4T	G3D4N	G3D3T	G3D3N	G3D2T	G3D2N	G3D1T	G3D1N
bit 7						bit 0	

Legend:

R = Readable bit	W = Writable bit	U = Unimplemented bit, read as '0'
-n = Value at POR	'1' = Bit is set	'0' = Bit is cleared
		x = Bit is unknown

- bit 15 **G4D4T:** Gate 4 Data Source 4 True Enable bit
1 = Data Source 4 inverted signal is enabled for Gate 4
0 = Data Source 4 inverted signal is disabled for Gate 4
- bit 14 **G4D4N:** Gate 4 Data Source 4 Negated Enable bit
1 = Data Source 4 inverted signal is enabled for Gate 4
0 = Data Source 4 inverted signal is disabled for Gate 4
- bit 13 **G4D3T:** Gate 4 Data Source 3 True Enable bit
1 = Data Source 3 inverted signal is enabled for Gate 4
0 = Data Source 3 inverted signal is disabled for Gate 4
- bit 12 **G4D3N:** Gate 4 Data Source 3 Negated Enable bit
1 = Data Source 3 inverted signal is enabled for Gate 4
0 = Data Source 3 inverted signal is disabled for Gate 4
- bit 11 **G4D2T:** Gate 4 Data Source 2 True Enable bit
1 = Data Source 2 inverted signal is enabled for Gate 4
0 = Data Source 2 inverted signal is disabled for Gate 4
- bit 10 **G4D2N:** Gate 4 Data Source 2 Negated Enable bit
1 = Data Source 2 inverted signal is enabled for Gate 4
0 = Data Source 2 inverted signal is disabled for Gate 4
- bit 9 **G4D1T:** Gate 4 Data Source 1 True Enable bit
1 = Data Source 1 inverted signal is enabled for Gate 4
0 = Data Source 1 inverted signal is disabled for Gate 4
- bit 8 **G4D1N:** Gate 4 Data Source 1 Negated Enable bit
1 = Data Source 1 inverted signal is enabled for Gate 4
0 = Data Source 1 inverted signal is disabled for Gate 4
- bit 7 **G3D4T:** Gate 3 Data Source 4 True Enable bit
1 = Data Source 4 inverted signal is enabled for Gate 3
0 = Data Source 4 inverted signal is disabled for Gate 3
- bit 6 **G3D4N:** Gate 3 Data Source 4 Negated Enable bit
1 = Data Source 4 inverted signal is enabled for Gate 3
0 = Data Source 4 inverted signal is disabled for Gate 3
- bit 5 **G3D3T:** Gate 3 Data Source 3 True Enable bit
1 = Data Source 3 inverted signal is enabled for Gate 3
0 = Data Source 3 inverted signal is disabled for Gate 3
- bit 4 **G3D3N:** Gate 3 Data Source 3 Negated Enable bit
1 = Data Source 3 inverted signal is enabled for Gate 3
0 = Data Source 3 inverted signal is disabled for Gate 3

PIC24FJ256GA412/GB412 FAMILY

REGISTER 23-5: CLCxGLSH: CLCx GATE LOGIC INPUT SELECT HIGH REGISTER (CONTINUED)

- bit 3 **G3D2T:** Gate 3 Data Source 2 True Enable bit
1 = Data Source 2 inverted signal is enabled for Gate 3
0 = Data Source 2 inverted signal is disabled for Gate 3
- bit 2 **G3D2N:** Gate 3 Data Source 2 Negated Enable bit
1 = Data Source 2 inverted signal is enabled for Gate 3
0 = Data Source 2 inverted signal is disabled for Gate 3
- bit 1 **G3D1T:** Gate 3 Data Source 1 True Enable bit
1 = Data Source 1 inverted signal is enabled for Gate 3
0 = Data Source 1 inverted signal is disabled for Gate 3
- bit 0 **G3D1N:** Gate 3 Data Source 1 Negated Enable bit
1 = Data Source 1 inverted signal is enabled for Gate 3
0 = Data Source 1 inverted signal is disabled for Gate 3

24.0 REAL-TIME CLOCK AND CALENDAR (RTCC) WITH TIMESTAMP

Note: This data sheet summarizes the features of this group of PIC24F devices. It is not intended to be a comprehensive reference source. For more information on the Real-Time Clock and Calendar, refer to the “*dsPIC33/PIC24 Family Reference Manual*”, “**RTCC with Timestamp**” (www.microchip.com/DS70005193). The information in this data sheet supersedes the information in the FRM.

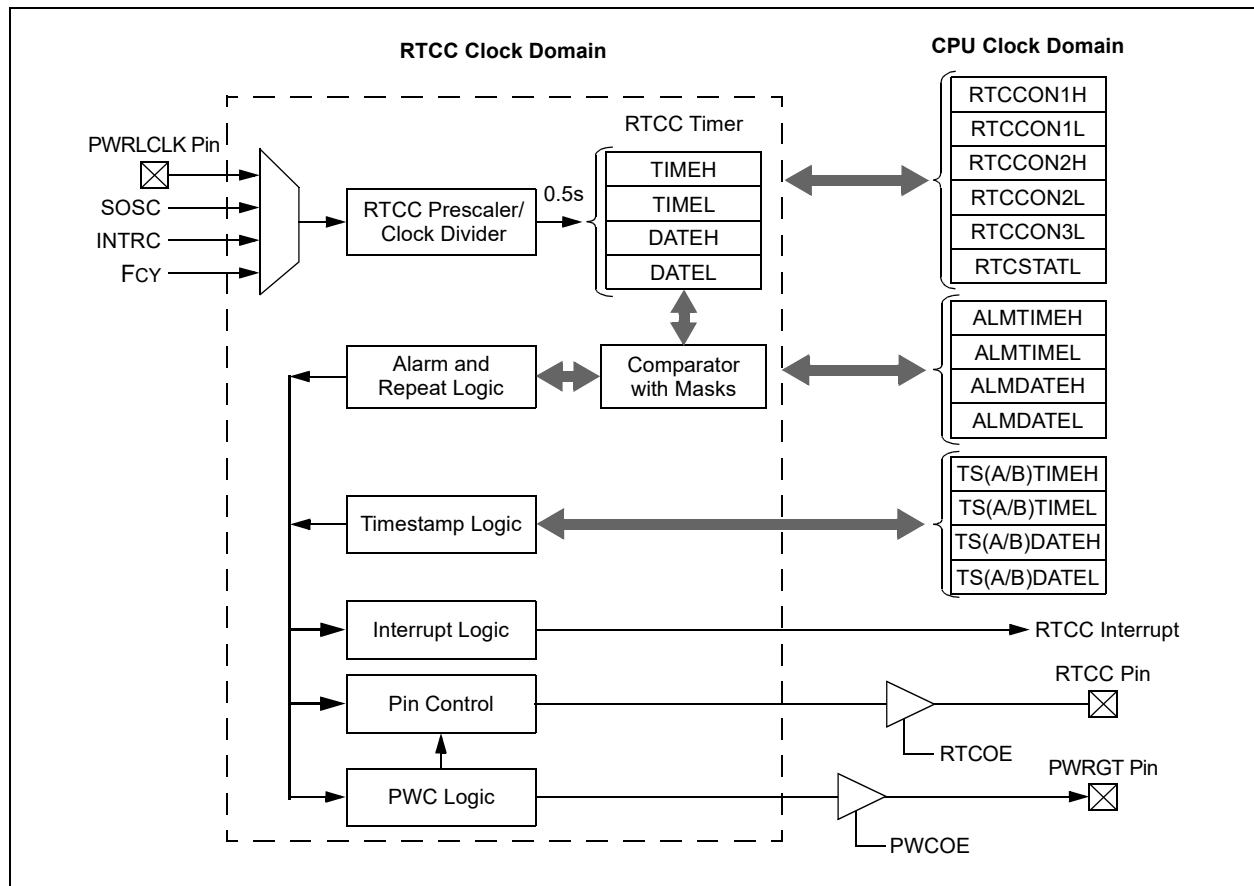
The RTCC provides the user with a Real-Time Clock and Calendar (RTCC) function that can be calibrated.

Key features of the RTCC module are:

- Time (Hours, Minutes and Seconds) in 24-Hour (Military Time) Format
- Calendar (Weekday, Date, Month and Year)
 - Year range from 2000 to 2099 with automatic Leap Year correction

- Alarm with Configurable Mask and Repeat Options
- BCD Format for Compact Firmware
- Optimized for Low-Power Operation
- Multiple Clock Input Options, Including:
 - 32.768 kHz crystal
 - External Real-Time Clock (RTC)
 - 50/60 Hz power line clock
 - 31.25 kHz LPRC clock
 - System clock, up to 32 MHz
- User Calibration with a Range of 2 ppm when using 32 kHz Source
- Interrupt on Alarm and Timestamp Events
- Optional Timestamp Capture for Tamper Pin or Other Events
- User-Configurable Power Control with Dedicated Output Pin to Periodically Wake External Devices

FIGURE 24-1: RTCC HIGH-LEVEL BLOCK DIAGRAM



PIC24FJ256GA412/GB412 FAMILY

24.1 RTCC Source Clock

The RTCC clock divider block converts the incoming oscillator source into an accurate 1/2 second clock for the RTCC timer. The clock divider is optimized to work with four different oscillator sources:

- System clock, up to 32 MHz
- 32.768 kHz crystal oscillator
- 31 kHz Low-Power RC Oscillator (LPRC)
- External 50 Hz or 60 Hz power line frequency

An asynchronous prescaler, PS[1:0] (RTCCON2L[5:4]), is provided that allows the RTCC to work with higher speed clock sources, such as the system clock. Divide ratios of 1:16, 1:64 or 1:256 may be selected, allowing sources up to 32 MHz to clock the RTCC.

24.1.1 SELECTING RTCC CLOCK SOURCE

The clock source for the RTCC module can be selected using the CLKSEL[1:0] bits in the RTCCON2L register. When the bits are set to '00', the Secondary Oscillator (SOSC) is used as the reference clock and when the bits are '01', LPRC is used as the reference clock. When CLKSEL[1:0] = 10, the external power line (50 Hz and 60 Hz) is used as the clock source. When CLKSEL[1:0] = 11, the system clock is used as the clock source.

24.1.2 COARSE FREQUENCY DIVISION

The clock divider block has a 16-bit counter used to divide the input clock frequency. The divide ratio is set by the DIV[15:0] register bits (RTCCON2H[15:0]). The DIV[15:0] bits should be programmed with a value to produce a nominal 1/2 second clock divider count period.

24.1.3 FINE FREQUENCY DIVISION

The fine frequency division is set using the FDIV[4:0] (RTCCON2L[15:11]) bits. Increasing the FDIVx value will lengthen the overall clock divider period.

If FDIV[4:0] = 00000, the fine frequency division circuit is effectively disabled. Otherwise, it will optionally remove a clock pulse from the input of the clock divider every 1/2 second. This functionality will allow the user to remove up to 31 pulses over a fixed period of 16 seconds, depending on the value of FDIVx.

The value for DIV[15:0] is calculated as shown in [Equation 24-1](#). The fractional remainder of the DIV[15:0] calculation result can be used to calculate the value for FDIV[4:0].

EQUATION 24-1: RTCC CLOCK DIVIDER OUTPUT FREQUENCY

$$F_{OUT} = \frac{F_{IN}}{2 \cdot (PS[1:0] \text{ Prescaler}) \cdot (DIV[15:0] + 1) + \left(\frac{FDIV[4:0]}{32}\right)}$$

The DIV[15:0] value is the integer part of this calculation:

$$DIV[15:0] = \left(\frac{F_{IN}}{2 \cdot (PS[1:0] \text{ Prescaler})}\right) - 1$$

The FDIV[4:0] value is the fractional part of the DIV[15:0] calculation, multiplied by 32.

24.1.4 CLOCK SOURCE CALIBRATION

A crystal oscillator that is connected to the RTCC may be calibrated to provide an accurate 1-second clock in two ways. First, coarse frequency adjustment is performed by adjusting the value written to the DIV[15:0] bits. Secondly, a 5-bit value can be written to the FDIV[4:0] control bits to perform a fine clock division.

The DIVx and FDIVx values can be concatenated and considered as a 21-bit prescaler value. If the oscillator source is slightly faster than ideal, the FDIV[4:0] value can be increased to make a small decrease in the RTC frequency. The value of DIV[15:0] should be increased to make larger decreases in the RTC frequency. If the oscillator source is slower than ideal, FDIV[4:0] may be decreased for small calibration changes and DIV[15:0] may need to be decreased to make larger calibration changes.

Before calibration, the user must determine the error of the crystal. This should be done using another timer resource on the device or an external timing reference. It is up to the user to include in the error value the initial error of the crystal, drift due to temperature and drift due to crystal aging.

24.2 Alarm

The RTCC alarm includes these features:

- Configurable from half second to one year
- One-time alarm and repeat alarm options available

24.2.1 CONFIGURING THE ALARM

The alarm feature is enabled using the ALRMEN bit. This bit is cleared when an alarm is issued. Writes to ALRMVAL should only take place when ALRMEN = 0.

As shown in Figure 24-2, the interval selection of the alarm is configured through the AMASK[3:0] bits (RTCCON1H[11:8]). These bits determine which, and how many, digits of the alarm must match the clock value for the alarm to occur.

The alarm can also be configured to repeat based on a preconfigured interval. The amount of times this occurs, once the alarm is enabled, is stored in the ALMRPT[7:0] bits (RTCCON1H[7:0]). When the value of the ALMRPTx bits equals 00h and the CHIME bit (RTCCON1H[14]) is cleared, the repeat function is disabled and only a single alarm will occur. The alarm can be repeated, up to 255 times, by loading ALMRPT[7:0] with FFh.

After each alarm is issued, the value of the ALMRPTx bits is decremented by one. Once the value has reached 00h, the alarm will be issued one last time, after which, the ALRMEN bit will be cleared automatically and the alarm will turn off.

Indefinite repetition of the alarm can occur if the CHIME bit = 1. Instead of the alarm being disabled when the value of the ALMRPTx bits reaches 00h, it rolls over to FFh and continues counting indefinitely while CHIME is set.

24.2.2 ALARM INTERRUPT

At every alarm event, an interrupt is generated. This output is completely synchronous to the RTCC clock and can be used as a trigger clock to other peripherals.

Note: Changing any of the register bits, other than the RTCOE bit, the ALMRPT[7:0] bits and the CHIME bit, while the alarm is enabled (ALRMEN = 1), can result in a false alarm event leading to a false alarm interrupt. To avoid a false alarm event, the timer and alarm values should only be changed while the alarm is disabled (ALRMEN = 0).

FIGURE 24-2: ALARM MASK SETTINGS

Alarm Mask Setting (AMASK[3:0])	Day of the Week					
	Month	Day	Hours	Minutes	Seconds	
0000 - Every half second	<input type="checkbox"/>	<input type="checkbox"/>	<input type="checkbox"/>	<input type="checkbox"/>	<input type="checkbox"/>	<input type="checkbox"/>
0001 - Every second	<input type="checkbox"/>	<input type="checkbox"/>	<input type="checkbox"/>	<input type="checkbox"/>	<input type="checkbox"/>	<input type="checkbox"/>
0010 - Every 10 seconds	<input type="checkbox"/>	<input type="checkbox"/>	<input type="checkbox"/>	<input type="checkbox"/>	<input type="checkbox"/>	<input type="checkbox"/> s
0011 - Every minute	<input type="checkbox"/>	<input type="checkbox"/>	<input type="checkbox"/>	<input type="checkbox"/>	<input type="checkbox"/>	<input type="checkbox"/> s <input type="checkbox"/> s
0100 - Every 10 minutes	<input type="checkbox"/>	<input type="checkbox"/>	<input type="checkbox"/>	<input type="checkbox"/> m	<input type="checkbox"/>	<input type="checkbox"/> s <input type="checkbox"/> s
0101 - Every hour	<input type="checkbox"/>	<input type="checkbox"/>	<input type="checkbox"/>	<input type="checkbox"/> m <input type="checkbox"/> m	<input type="checkbox"/>	<input type="checkbox"/> s <input type="checkbox"/> s
0110 - Every day	<input type="checkbox"/>	<input type="checkbox"/>	<input type="checkbox"/> h <input type="checkbox"/> h	<input type="checkbox"/> m <input type="checkbox"/> m	<input type="checkbox"/>	<input type="checkbox"/> s <input type="checkbox"/> s
0111 - Every week	<input type="checkbox"/> d	<input type="checkbox"/>	<input type="checkbox"/> h <input type="checkbox"/> h	<input type="checkbox"/> m <input type="checkbox"/> m	<input type="checkbox"/>	<input type="checkbox"/> s <input type="checkbox"/> s
1000 - Every month	<input type="checkbox"/>	<input type="checkbox"/> d <input type="checkbox"/> d	<input type="checkbox"/> h <input type="checkbox"/> h	<input type="checkbox"/> m <input type="checkbox"/> m	<input type="checkbox"/>	<input type="checkbox"/> s <input type="checkbox"/> s
1001 - Every year ⁽¹⁾	<input type="checkbox"/>	<input type="checkbox"/> m <input type="checkbox"/> m	<input type="checkbox"/> d <input type="checkbox"/> d	<input type="checkbox"/> h <input type="checkbox"/> h	<input type="checkbox"/> m <input type="checkbox"/> m	<input type="checkbox"/> s <input type="checkbox"/> s

Note 1: Annually, except when configured for February 29.

PIC24FJ256GA412/GB412 FAMILY

24.3 Power Control

The RTCC includes a power control feature that allows the device to periodically wake-up an external device, wait for the device to be stable before sampling wake-up events from that device and then shut down the external device. This can be done completely autonomously by the RTCC, without the need to wake from the current lower power mode.

To use this feature:

1. Enable the RTCC (RTCEN = 1).
2. Set the PWCEN bit (RTCCON1L[10]).
3. Configure the RTCC pin to drive the PWC control signal (RTCOE = 1 and OUTSEL[2:0] = 011).

The polarity of the PWC control signal is selected by the PWCPOL bit (RTCCON1L[9]). An active-low or active-high signal may be used with the appropriate external switch to turn on or off the power to one or more external devices. The active-low setting may also be used in conjunction with an open-drain setting on the RTCC pin, in order to drive the ground pin(s) of the external device directly (with the appropriate external VDD pull-up device), without the need for external switches. Finally, the CHIME bit should be set to enable the PWC periodicity.

Once the RTCC and PWC are enabled and running, the PWC logic will generate a control output and a sample gate output. The control output is driven out on the RTCC pin (when RTCOE = 1 and OUTSEL[2:0] = 011) and is used to power-up or power-down the device, as described above.

Once the control output is asserted, the Stability Window begins, in which the external device is given enough time to power-up and provide a stable output.

Once the output is stable, the RTCC provides a sample gate during the Sample Window. The use of this sample gate depends on the external device being used, but typically, it is used to mask out one or more wake-up signals from the external device.

Finally, both the Stability and the Sample Windows close after the expiration of the Sample Window, and the external device is powered down.

24.3.1 POWER CONTROL CLOCK SOURCE

The Stability and Sample Windows are controlled by the PWCSAMP[7:0] and PWCSTAB[7:0] bits field in the RTCCON3L register (RTCCON3L[15:8] and [7:0], respectively). As both the Stability and Sample Windows are defined in terms of the RTCC clock, their absolute values vary by the value of the PWC clock base period. The 8-bit magnitude of PWCSTABx and PWCSAMPx allows for a window size of 0 to 255 clock periods.

The period of the PWC clock can also be adjusted with a 1:1, 1:16, 1:64 or 1:256 prescaler, determined by the PWCPS[1:0] bits (RTCCON2L[7:6]).

In addition, certain values for the PWCSTABx and PWCSAMPx fields have specific control meanings in determining power control operations. If either bit field is 00h, the corresponding window is inactive. In addition, if the PWCSTABx field is FFh, the Stability Window remains active continuously, even if power control is disabled.

24.4 Event Timestamping

The RTCC includes two sets of Timestamp registers that may be used for the capture of Time and Date register values when an external input signal is received. The RTCC triggers the timestamps for two events:

- For Timestamp A, a falling edge on the $\overline{\text{TMPR}}$ pin
- For Timestamp B, when the devices transition from VDD to VBAT power

A Timestamp A event can be triggered while running the device in VBAT mode if the $\overline{\text{TMPR}}$ pin is pulled up to VBAT.

24.4.1 TIMESTAMP OPERATION

The event input is enabled for timestamping using the TSAEN bit (RTCCON1L[0]). When the timestamp event occurs, the present time and date values are stored in the TSATIMEL/H and TSADATEL/H registers, the TSAEVT status bit (RTCSTATL[3]) becomes set and an RTCC interrupt occurs. A new timestamp capture event cannot occur until the user clears the TSAEVT status bit.

Note 1: The TSATIMEL/H and TSADATEL/H register pairs can be used for data storage when TSAEN = 0. The values of TSATIMEL/H and TSADATEL/H will be maintained throughout all types of non-power Resets (MCLR, WDT, etc).

24.4.2 MANUAL TIMESTAMP

The current time and date may be captured in the TSATIMEL/H and TSADATEL/H registers by writing a '1' to the TSAEVT bit location while the timestamp functionality is enabled (TSAEN = 1). This write will not set the TSAEVT bit, but it will initiate a timestamp capture. The TSAEVT bit will be set when the capture operation is complete. The user must poll the TSAEVT bit to determine when the capture operation is complete.

After the Timestamp registers have been read, the TSAEVT bit should be cleared to allow further hardware or software timestamp capture events.

24.5 RTCC Module Registers

The RTCC module registers are organized into three categories:

- RTCC Control and Status registers
- Time/Alarm/Timestamp Value registers
- Date/Alarm/Timestamp registers

All Date and Time registers are directly mapped to memory and are individually addressable. In addition, the Date and Time registers for the RTCC timer, the alarm and the timestamps are identical in format.

24.5.1 WRITE LOCK

To perform a write to certain RTCC Timer registers, the WRLOCK bit in the RTCCON1L register must be cleared. The WRLOCK bit affects only those registers associated with accurate timekeeping:

- RTCCON1L
- RTCCON2L
- RTCCON2H
- TIMEL
- TIMEH
- DATEL
- DATEH

Other register functions associated with alarm control, power control and timestamping are not affected by the WRLOCK bit. To avoid accidental writes to the timer, it is recommended that the WRLOCK bit be set after initializing the RTCC. WRLOCK may be set at any time without executing an unlock sequence.

Once the WRLOCK bit has been set by the user, it can only be cleared once an unlocking sequence has been executed. The unlocking sequence consists of writing 0x55, immediately followed by 0xAA, to the NVMKEY register.

The WRLOCK bit must be cleared on the very next instruction cycle after the unlock sequence. Due to the critical timing of the unlock sequence that is required to clear the WRLOCK bit, a built-in function has been provided in the MPLAB[®] XC16 compiler to perform the unlock sequence and clear the WRLOCK bit, as shown in [Example 24-1](#).

EXAMPLE 24-1: SETTING THE WRLOCK BIT

```
// Initialize the RTCC as needed
-----

// Lock the RTCC registers
RTCCON1Lbits.WRLOCK = 1;

-----

// Clear WRLOCK to modify RTCC as needed
__builtin_write_RTCC_WRLOCK();
```

PIC24FJ256GA412/GB412 FAMILY

24.5.2 RTCC CONTROL AND STATUS REGISTERS

REGISTER 24-1: RTCCON1L: RTCC CONTROL REGISTER 1 (LOW)

R/W-0	U-0	U-0	U-0	R/W-0	R/W-0	R/W-0	R/W-0
RTCEN	—	—	—	WRLOCK	PWCEN	PWCPOL	PWCPOE
bit 15							bit 8

R/W-0	R/W-0	R/W-0	R/W-0	U-0	U-0	R/W-0	R/W-0
RTCOE	OUTSEL2	OUTSEL1	OUTSEL0	—	—	TSBEN	TSAEN
bit 7							bit 0

Legend:

R = Readable bit W = Writable bit U = Unimplemented bit, read as '0'
 -n = Value at POR '1' = Bit is set '0' = Bit is cleared x = Bit is unknown

- bit 15 **RTCEN:** RTCC Enable bit
 1 = RTCC is enabled and counts from selected clock source
 0 = RTCC is not enabled
- bit 14-12 **Unimplemented:** Read as '0'
- bit 11 **WRLOCK:** RTCC Register Write Lock bit
 1 = RTCC registers are locked
 0 = RTCC registers may be written by the user
- bit 10 **PWCEN:** Power Control Enable bit
 1 = Power control is enabled
 0 = Power control is disabled
- bit 9 **PWCPOL:** Power Control Polarity bit
 1 = Power control output is active-high
 0 = Power control output is active-low
- bit 8 **PWCPOE:** Power Control Output Enable bit
 1 = Power control output pin is enabled
 0 = Power control output pin is disabled
- bit 7 **RTCOE:** RTCC Output Enable bit
 1 = RTCC output is enabled
 0 = RTCC output is disabled
- bit 6-4 **OUTSEL[2:0]:** RTCC Output Signal Selection bits
 11x = Unused
 101 = Unused
 100 = Timestamp A event
 011 = Power control
 010 = RTCC input clock
 001 = Second clock
 000 = Alarm event
- bit 3-2 **Unimplemented:** Read as '0'
- bit 1 **TSBEN:** Timestamp Source B Enable bit
 1 = Timestamp Source B signal generates a timestamp event
 0 = Timestamp Source B is disabled
- bit 0 **TSAEN:** Timestamp Source A Enable bit
 1 = Timestamp Source A event is generated when a low pulse is detected on the $\overline{\text{TMPR}}$ pin
 0 = Timestamp Source A is disabled

PIC24FJ256GA412/GB412 FAMILY

REGISTER 24-2: RTCCON1H: RTCC CONTROL REGISTER 1 (HIGH)

R/W-0	R/W-0	U-0	U-0	R/W-0	R/W-0	R/W-0	R/W-0
ALRMEN	CHIME	—	—	AMASK3	AMASK2	AMASK1	AMASK0
bit 15							bit 8

R/W-0	R/W-0	R/W-0	R/W-0	R/W-0	R/W-0	R/W-0	R/W-0
ALMRPT[7:0]							
bit 7							bit 0

Legend:

R = Readable bit W = Writable bit U = Unimplemented bit, read as '0'
 -n = Value at POR '1' = Bit is set '0' = Bit is cleared x = Bit is unknown

- bit 15 **ALRMEN:** Alarm Enable bit
 1 = Alarm is enabled (cleared automatically after an alarm event whenever ALMRPT[7:0] = 00h and CHIME = 0)
 0 = Alarm is disabled
- bit 14 **CHIME:** Chime Enable bit
 1 = Chime is enabled; ALMRPT[7:0] bits roll over from 00h to FFh
 0 = Chime is disabled; ALMRPT[7:0] bits stop once they reach 00h
- bit 13-12 **Unimplemented:** Read as '0'
- bit 11-8 **AMASK[3:0]:** Alarm Mask Configuration bits
 11xx = Reserved, do not use
 101x = Reserved, do not use
 1001 = Once a year (or once every four years when configured for February 29th)
 1000 = Once a month
 0111 = Once a week
 0110 = Once a day
 0101 = Every hour
 0100 = Every ten minutes
 0011 = Every minute
 0010 = Every ten seconds
 0001 = Every second
 0000 = Every half second
- bit 7-0 **ALMRPT[7:0]:** Alarm Repeat Counter Value bits
 11111111 = Alarm will repeat 255 more times
 11111110 = Alarm will repeat 254 more times
 ...
 00000010 = Alarm will repeat 2 more times
 00000001 = Alarm will repeat 1 more time
 00000000 = Alarm will not repeat

PIC24FJ256GA412/GB412 FAMILY

REGISTER 24-3: RTCCON2L: RTCC CONTROL REGISTER 2 (LOW)

R/W-0	R/W-0	R/W-0	R/W-0	R/W-0	U-0	U-0	U-0
FDIV[4:0]					—	—	—
bit 15					bit 8		

R/W-0	R/W-0	R/W-0	R/W-0	U-0	U-0	R/W-0	R/W-0
PWCPS1	PWCPS0	PS1	PS0	—	—	CLKSEL1	CLKSEL0
bit 7						bit 0	

Legend:

R = Readable bit

W = Writable bit

U = Unimplemented bit, read as '0'

-n = Value at POR

'1' = Bit is set

'0' = Bit is cleared

x = Bit is unknown

bit 15-11 **FDIV[4:0]:** Fractional Clock Divide bits

11111 = Clock period increases by 31 RTCC input clock cycles every 16 seconds

11101 = Clock period increases by 30 RTCC input clock cycles every 16 seconds

...

00010 = Clock period increases by 2 RTCC input clock cycles every 16 seconds

00001 = Clock period increases by 1 RTCC input clock cycle every 16 seconds

00000 = No fractional clock division

bit 10-8 **Unimplemented:** Read as '0'

bit 7-6 **PWCPS[1:0]:** Power Control Prescale Select bits

11 = 1:256

10 = 1:64

01 = 1:16

00 = 1:1

bit 5-4 **PS[1:0]:** Prescale Select bits

11 = 1:256

10 = 1:64

01 = 1:16

00 = 1:1

bit 3-2 **Unimplemented:** Read as '0'

bit 1-0 **CLKSEL[1:0]:** Clock Select bits

11 = Peripheral clock (Fcy)

10 = PWRLCLK input pin

01 = LPRC

00 = SOSC

PIC24FJ256GA412/GB412 FAMILY

REGISTER 24-4: RTCCON2H: RTCC CONTROL REGISTER 2 (HIGH)⁽¹⁾

R/W-0	R/W-0	R/W-1	R/W-1	R/W-1	R/W-1	R/W-1	R/W-1
DIV[15:8]							
bit 15							bit 8

R/W-1	R/W-1	R/W-1	R/W-1	R/W-1	R/W-1	R/W-1	R/W-1
DIV[7:0]							
bit 7							bit 0

Legend:

R = Readable bit	W = Writable bit	U = Unimplemented bit, read as '0'
-n = Value at POR	'1' = Bit is set	'0' = Bit is cleared x = Bit is unknown

bit 15-0 **DIV[15:0]:** Clock Divide bits
Sets the period of the clock divider counter; value should cause a nominal 1/2 second underflow.

Note 1: A write to this register is only allowed when WRLOCK = 1.

REGISTER 24-5: RTCCON3L: RTCC CONTROL REGISTER 3 (LOW)⁽¹⁾

R/W-0	R/W-0	R/W-0	R/W-0	R/W-0	R/W-0	R/W-0	R/W-0
PWCSAMP[7:0]							
bit 15							bit 8

R/W-0	R/W-0	R/W-0	R/W-0	R/W-0	R/W-0	R/W-0	R/W-0
PWCSTAB[7:0]							
bit 7							bit 0

Legend:

R = Readable bit	W = Writable bit	U = Unimplemented bit, read as '0'
-n = Value at POR	'1' = Bit is set	'0' = Bit is cleared x = Bit is unknown

bit 15-8 **PWCSAMP[7:0]:** Power Control Sample Time Window bits

11111111 = Sample input is always allowed (not gated)
11111110 = Sample Time Window is 254 TPWC
...
00000010 = Sample Time Window is 2 TPWC
00000001 = Sample Time Window is 1 TPWC
00000000 = Sample input is always gated

bit 7-0 **PWCSTAB[7:0]:** Power Control Stability Time bits

11111111 = Stability Time Window is 255 TPWC
11111110 = Stability Time Window is 254 TPWC
...
00000010 = Stability Time Window is 2 TPWC
00000001 = Stability Time Window is 1 TPWC
00000000 = No Stability Time Window

Note 1: The Sample Window always starts when the Stability Window timer expires, except when its initial value is 00h.

PIC24FJ256GA412/GB412 FAMILY

REGISTER 24-6: RTCSTATL: RTCC STATUS REGISTER (LOW)

U-0	U-0	U-0	U-0	U-0	U-0	U-0	U-0
—	—	—	—	—	—	—	—
bit 15						bit 8	

U-0	U-0	HSC/R/C-0	HSC/R/W-0	HSC/R/W-0	HSC/R-0	HSC/R-0	HSC/R-0
—	—	ALMEVT	TSBEVT ⁽¹⁾	TSAEVT ⁽¹⁾	SYNC	ALMSYNC	HALFSEC ⁽²⁾
bit 7						bit 0	

Legend:	C = Clearable bit	HSC = Hardware Settable/Clearable bit
R = Readable bit	W = Writable bit	U = Unimplemented bit, read as '0'
-n = Value at POR	'1' = Bit is set	'0' = Bit is cleared x = Bit is unknown

- bit 15-6 **Unimplemented:** Read as '0'
- bit 5 **ALMEVT:** Alarm Event bit
 1 = An alarm event has occurred
 0 = An alarm event has not occurred
- bit 4 **TSBEVT:** Timestamp B Event bit⁽¹⁾
 1 = A Timestamp B event has occurred
 0 = A Timestamp B event has not occurred
- bit 3 **TSAEVT:** Timestamp A Event bit⁽¹⁾
 1 = A Timestamp A event has occurred
 0 = A Timestamp A event has not occurred
- bit 2 **SYNC:** Synchronization Status bit
 1 = Time registers may change during software read
 0 = Time registers may be read safely
- bit 1 **ALMSYNC:** Alarm Synchronization Status bit
 1 = Alarm registers (ALMTIME, ALMDATE) and AMASKx bits should not be modified and Alarm Control registers (ALRMEN, ALMRPT[7:0]) may change during software read
 0 = Alarm registers and Alarm Control registers may be written/modified safely
- bit 0 **HALFSEC:** Half Second Status bit⁽²⁾
 1 = Second half of 1-second period
 0 = First half of 1-second period

- Note 1:** User software may write a '1' to this location to initiate a Timestamp A event; timestamp capture is not valid until TSAEVT reads as '1'.
- 2:** This bit is read-only; it is cleared to '0' on a write to the SECONE[3:0] bits in [Register 24-7](#).

PIC24FJ256GA412/GB412 FAMILY

24.5.3 TIME/ALARM/TIMESTAMP VALUE REGISTERS

REGISTER 24-7: TIMEL/ALMTIMEL/TSATIMEL/TSBTIMEL: TIME REGISTER (LOW)

U-0	R/W-0	R/W-0	R/W-0	R/W-0	R/W-0	R/W-0	R/W-0
—	SECTEN2	SECTEN1	SECTEN0	SECONE3	SECONE2	SECONE1	SECONE0
bit 15							bit 8

U-0	U-0	U-0	U-0	U-0	U-0	U-0	U-0
—	—	—	—	—	—	—	—
bit 7							bit 0

Legend:

R = Readable bit W = Writable bit U = Unimplemented bit, read as '0'
 -n = Value at POR '1' = Bit is set '0' = Bit is cleared x = Bit is unknown

- bit 15 **Unimplemented:** Read as '0'
- bit 14-12 **SECTEN[2:0]:** Binary Coded Decimal Value of Seconds '10' Digit bits
Contains a value from 0 to 5.
- bit 11-8 **SECONE[3:0]:** Binary Coded Decimal Value of Seconds '1' Digit bits
Contains a value from 0 to 9.
- bit 7-0 **Unimplemented:** Read as '0'

REGISTER 24-8: TIMEH/ALMTIMEH/TSATIMEH/TSBTIMEH: TIME REGISTER (HIGH)

U-0	U-0	R/W-0	R/W-0	R/W-0	R/W-0	R/W-0	R/W-0
—	—	HRTEN1	HRTEN0	HRONE3	HRONE2	HRONE1	HRONE0
bit 15							bit 8

U-0	R/W-0	R/W-0	R/W-0	R/W-0	R/W-0	R/W-0	R/W-0
—	MINTEN2	MINTEN1	MINTEN0	MINONE3	MINONE2	MINONE1	MINONE0
bit 7							bit 0

Legend:

R = Readable bit W = Writable bit U = Unimplemented bit, read as '0'
 -n = Value at POR '1' = Bit is set '0' = Bit is cleared x = Bit is unknown

- bit 15-14 **Unimplemented:** Read as '0'
- bit 13-12 **HRTEN[1:0]:** Binary Coded Decimal Value of Hours '10' Digit bits
Contains a value from 0 to 2.
- bit 11-8 **HRONE[3:0]:** Binary Coded Decimal Value of Hours '1' Digit bits
Contains a value from 0 to 9.
- bit 7 **Unimplemented:** Read as '0'
- bit 6-4 **MINTEN[2:0]:** Binary Coded Decimal Value of Minutes '10' Digit bits
Contains a value from 0 to 5.
- bit 3-0 **MINONE[3:0]:** Binary Coded Decimal Value of Minutes '1' Digit bits
Contains a value from 0 to 9.

PIC24FJ256GA412/GB412 FAMILY

24.5.4 DATE/ALARM/TIMESTAMP VALUE REGISTERS

REGISTER 24-9: DATEL/ALMDATEL/TSADATEL/TSDATEL: DATE REGISTER (LOW)

U-0	U-0	R/W-0	R/W-0	R/W-0	R/W-0	R/W-0	R/W-1
—	—	DAYTEN1	DAYTEN0	DAYONE3	DAYONE2	DAYONE1	DAYONE0
bit 15							bit 8

U-0	U-0	U-0	U-0	U-0	R/W-1	R/W-1	R/W-0
—	—	—	—	—	WDAY[2:0]		
bit 7						bit 0	

Legend:

R = Readable bit W = Writable bit U = Unimplemented bit, read as '0'
 -n = Value at POR '1' = Bit is set '0' = Bit is cleared x = Bit is unknown

- bit 15-14 **Unimplemented:** Read as '0'
- bit 13-12 **DAYTEN[1:0]:** Binary Coded Decimal Value of Days '10' Digit bits
Contains a value from 0 to 3.
- bit 11-8 **DAYONE[3:0]:** Binary Coded Decimal Value of Days '1' Digit bits
Contains a value from 0 to 9.
- bit 7-3 **Unimplemented:** Read as '0'
- bit 2-0 **WDAY[2:0]:** Binary Coded Decimal Value of Weekdays '1' Digit bits
Contains a value from 0 to 6.

REGISTER 24-10: DATEH/ALMDATEH/TSADATEH/TSDATEH: DATE REGISTER (HIGH)

R/W-0	R/W-0	R/W-0	R/W-0	R/W-0	R/W-0	R/W-0	R/W-0
YRTEN3	YRTEN2	YRTEN1	YRTEN0	YRONE3	YRONE2	YRONE1	YRONE0
bit 15							bit 8

U-0	U-0	U-0	R/W-0	R/W-0	R/W-0	R/W-0	R/W-1
—	—	—	MHTTEN	MTHONE3	MTHONE2	MTHONE1	MTHONE0
bit 7						bit 0	

Legend:

R = Readable bit W = Writable bit U = Unimplemented bit, read as '0'
 -n = Value at POR '1' = Bit is set '0' = Bit is cleared x = Bit is unknown

- bit 15-12 **YRTEN[3:0]:** Binary Coded Decimal Value of Years '10' Digit bits
- bit 11-8 **YRONE[3:0]:** Binary Coded Decimal Value of Years '1' Digit bits
- bit 7-5 **Unimplemented:** Read as '0'
- bit 4 **MHTTEN:** Binary Coded Decimal Value of Months '10' Digit bit
Contains a value from 0 to 1.
- bit 3-0 **MTHONE[3:0]:** Binary Coded Decimal Value of Months '1' Digit bits
Contains a value from 0 to 9.

PIC24FJ256GA412/GB412 FAMILY

25.0 CRYPTOGRAPHIC ENGINE

Note: This data sheet summarizes the features of the PIC24FJ256GA412/GB412 family of devices. It is not intended to be a comprehensive reference source. To complement the information in this data sheet, refer to the “dsPIC33/PIC24 Family Reference Manual”, “Cryptographic Engine” (www.microchip.com/DS70005133) which is available from the Microchip website (www.microchip.com).

The Cryptographic Engine provides a new set of data security options. Using its own free-standing state machines, the engine can independently perform NIST standard encryption and decryption of data independently of the CPU. This eliminates the concerns of excessive CPU or program memory overhead that encryption and decryption would otherwise require, while enhancing the application’s security.

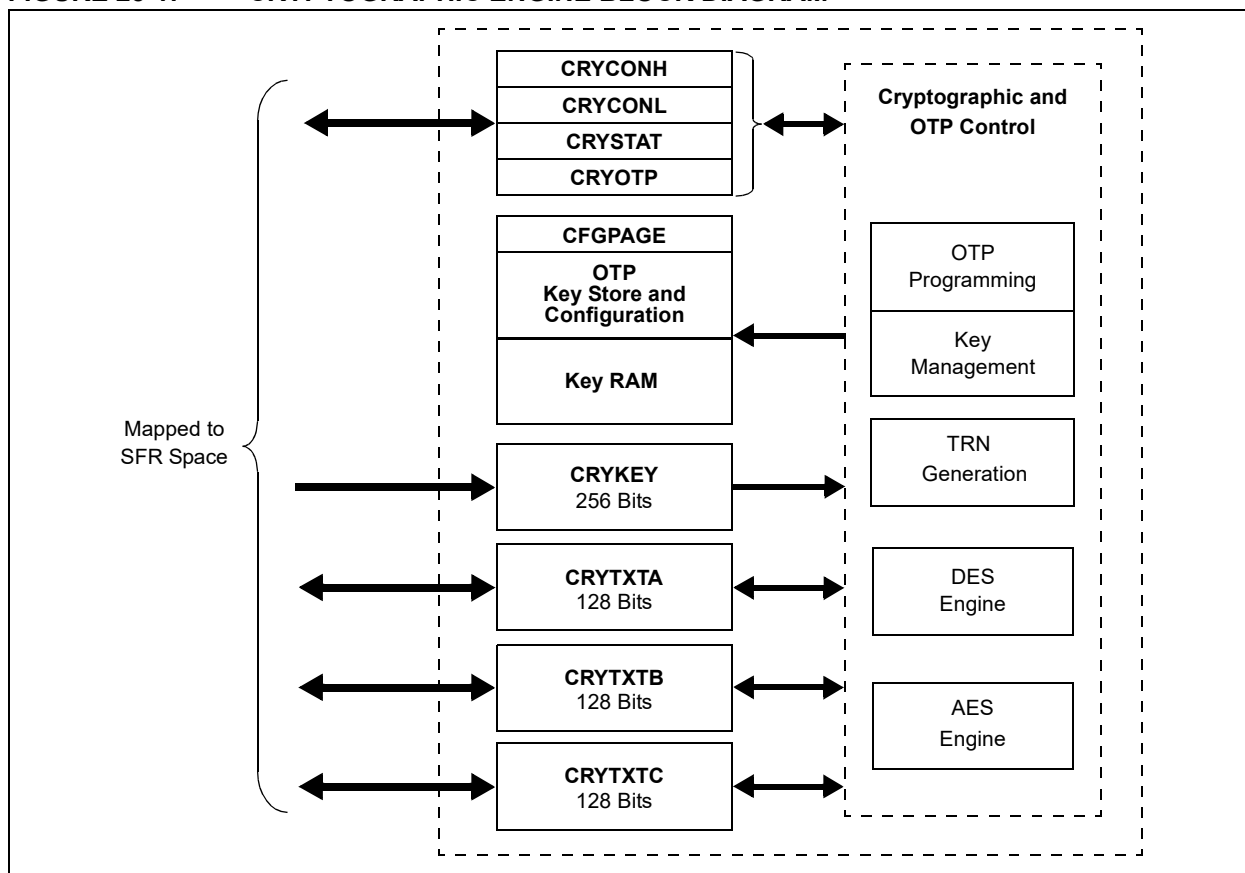
The primary features of the Cryptographic Engine are:

- Memory-Mapped, 128-Bit and 256-Bit Memory Spaces for Encryption/Decryption Data
- Multiple Options for Key Storage, Selection and Management

- Support for Internal Context Saving
- Session Key Encryption and Loading
- Half-Duplex Operation
- DES and Triple DES (3DES) Encryption and Decryption (64-bit block size):
 - Supports 64-bit keys and 2-key or 3-key Triple DES
- AES Encryption and Decryption (128-bit block size):
 - Supports key sizes of 128, 192 or 256 bits
- Supports ECB, CBC, CFB, OFB and CTR Modes for Both DES and AES Standards
- Programmatically Secure Key Storage:
 - 512-byte OTP array for key storage, not readable from other memory spaces
 - 32-bit Configuration Page
 - Independent, 512-byte Key RAM for volatile key storage
 - Simple in-module programming interface
 - Supports Key Encryption Key (KEK)
- Support for True Random Number Generation (TRNG) and Pseudorandom Number Generation (PRNG), NIST SP800-90 Compliant
- Hardware Anti-Tamper Feature for Additional Data Security

A simplified block diagram of the Cryptographic Engine is shown in [Figure 25-1](#).

FIGURE 25-1: CRYPTOGRAPHIC ENGINE BLOCK DIAGRAM



PIC24FJ256GA412/GB412 FAMILY

25.1 Data Register Spaces

There are four register spaces used for cryptographic data and key storage:

- CRYTXTA
- CRYTXTB
- CRYTXTC
- CRYKEY

Although mapped into the SFR space, all of these Data Spaces are actually implemented as 128-bit or 256-bit wide arrays, rather than groups of 16-bit wide Data registers. Reads and writes to and from these arrays are automatically handled as if they were any other register in the SFR space.

CRYTXTA through CRYTXTC are 128-bit wide spaces; they are used for writing data to, and reading from, the Cryptographic Engine. Additionally, they are also used for storing intermediate results of the encryption/decryption operation. None of these registers may be written to when the module is performing an operation (CRYGO = 1).

CRYTXTA and CRYTXTB normally serve as inputs to the encryption/decryption process.

CRYTXTA usually contains the initial plaintext or ciphertext to be encrypted or decrypted. Depending on the mode of operation, CRYTXTB may contain the ciphertext output or intermediate cipher data. It may also function as a programmable length counter in certain operations.

CRYTXTC is primarily used to store the final output of an encryption/decryption operation. It is also used as the input register for data to be programmed to the Secure OTP Array.

CRYKEY is a 256-bit wide space, used to store cryptographic keys for the selected operation; it is writable from both the SFR space and the Secure OTP Array. Although mapped into the SFR space, it is a write-only memory area; any data placed here, regardless of their source, cannot be read back by any run-time operations. This feature helps to ensure the security of any key data.

25.2 Modes of Operation

The Cryptographic Engine supports the following modes of operation, determined by the OPMOD[3:0] (CRYCONL[7:4]) bits:

- Block Encryption
- Block Decryption
- AES Decryption Key Expansion
- Random Number Generation
- Session Key Generation
- Session Key Encryption
- Session Key Loading

The OPMOD[3:0] bits may be changed while CRYON is set. They should only be changed when a cryptographic operation is not being done (CRYGO = 0).

Once the encryption operation, and the appropriate and valid key configuration is selected, the operation is performed by setting the CRYGO bit. This bit is automatically cleared by hardware when the operation is complete. The CRYGO bit can also be manually cleared by software; this causes any operation in progress to terminate immediately. Clearing this bit in software also sets the CRYABRT bit (CRYSTAT[5]).

For most operations, CRYGO can only be set when an OTP operation is not being performed and there are no other error conditions. CRYREAD, CRYWR, CRYABRT, ROLLOVR, MODFAIL and KEYFAIL must all be '0'.

Setting CRYWR and CRYGO simultaneously will not initiate an OTP programming operation or any other operation. Setting CRYGO when the module is disabled (CRYON = 0) also has no effect.

25.3 Enabling the Engine

The Cryptographic Engine is enabled by setting the CRYON bit. Clearing this bit disables both the DES and AES engines, as well as causing the following register bits to be held in Reset:

- CRYGO (CRYCONL[8])
- TXTABSY (CRYSTAT[6])
- CRYWR (CRYOTP[0])

All other register bits and registers may be read and written while CRYON = 0.

PIC24FJ256GA412/GB412 FAMILY

25.4 Encrypting Data

1. If not already set, set the CRYON bit.
2. Configure the CPHRSEL, CPHRMODx, KEYMODx and KEYSRCx bits as desired to select the proper mode and key length.
3. Set OPMOD[3:0] to '0000'.
4. If a software key is being used, write it to the CRYKEY register. It is only necessary to write the lowest n bits of CRYKEY for a key length of n , as all unused CRYKEY bits are ignored.
5. Read the KEYFAIL bit. If this bit is '1', an illegal configuration has been selected and the encrypt operation will NOT be performed.
6. Write the data to be encrypted to the appropriate CRYTXT register. For a single DES encrypt operation, it is only necessary to write the lowest 64 bits. However, for data less than the block size (64 bits for DES, 128 bits for AES), it is the responsibility of the software to properly pad the upper bits within the block.
7. Set the CRYGO bit.
8. In ECB and CBC modes, set the FREEIE bit (CRYCONL[10]) to enable the optional CRYTXTA interrupt to indicate when the next plaintext block can be loaded.
9. Poll the CRYGO bit until it is cleared or wait for the CRYDNIF module interrupt (DONEIE must be set). If other Cryptographic Engine interrupts are enabled, it will be necessary to poll the CRYGO bit to verify the interrupt source.
10. Read the encrypted block from the appropriate CRYTXT register.
11. Repeat Steps 5 through 8 to encrypt further blocks in the message with the same key.

25.5 Decrypting Data

1. If not already set, set the CRYON bit.
2. Configure the CPHRSEL, CPHRMODx, KEYMODx and KEYSRCx bits as desired to select the proper mode and key length.
3. Set OPMOD[3:0] to '0001'.
4. If a software key is being used, write the CRYKEY register. It is only necessary to write the lowest n bits of CRYKEY for a key length of n , as all unused CRYKEY bits are ignored.
5. If an AES-ECB or AES-CBC mode decryption is being performed, you must first perform an AES decryption key expansion operation.
6. Read the KEYFAIL status bit. If this bit is '1', an illegal configuration has been selected and the encrypt operation will not be performed.
7. Write the data to be decrypted into the appropriate Text/Data register. For a DES decrypt operation, it is only necessary to write the lowest 64 bits of CRYXTB.
8. Set the CRYGO bit.
9. If this is the first decrypt operation after a Reset, or if a key storage program operation was performed after the last decrypt operation, or if the KEYMODx or KEYSRCx fields are changed, the engine will perform a new key expansion operation. This will result in extra clock cycles for the decrypt operation, but will otherwise be transparent to the application (i.e., the CRYGO bit will be cleared only after the key expansion and the decrypt operation have completed).
10. In ECB and CBC modes, set the FREEIE bit (CRYCONL[10]) to enable the optional CRYTXTA interrupt to indicate when the next plaintext block can be loaded.
11. Poll the CRYGO bit until it is cleared or wait for the CRYDNIF module interrupt (DONEIE must be set). If other Cryptographic Engine interrupts are enabled, it will be necessary to poll the CRYGO bit to verify the interrupt source.
12. Read the decrypted block out of the appropriate Text/Data register.
13. Repeat Steps 6 through 10 to decrypt further blocks in the message with the same key.

PIC24FJ256GA412/GB412 FAMILY

25.6 Encrypting a Session Key

Note: ECB and CBC modes are restricted to 128-bit session keys only.

1. If not already set, set the CRYON bit.
2. If not already programmed, program the SKEYEN bit to '1'.

Note: Setting SKEYEN permanently makes Key #1 available as a Key Encryption Key only. It cannot be used for other encryption or decryption operations after that.

3. Set OPMOD[3:0] to '1110'.
4. Configure the CPHRSEL, CPHRMOD[2:0] and KEYMOD[1:0] register bit fields as desired, set SKEYSEL to '0'.
5. Read the KEYFAIL status bit. If this bit is '1', an illegal configuration has been selected and the encrypt operation will not be performed.
6. Write the software generated session key into the CRYKEY register or generate a random key into the CRYKEY register. It is only necessary to write the lowest n bits of CRYKEY for a key length of n , as all unused key bits are ignored.
7. Set the CRYGO bit. Poll the bit until it is cleared by hardware; alternatively, set the DONEIE bit (CRYCONL[11]) to generate an interrupt when the encryption is done.
8. Read the encrypted session key out of the appropriate CRYTXT register.
9. For total key lengths of more than 128 bits, set SKEYSEL to '1' and repeat Steps 6 and 7.
10. Set KEYSRC[3:0] to '0000' to use the session key to encrypt data.

25.7 Receiving a Session Key

Note: ECB and CBC modes are restricted to 128-bit session keys only.

1. If not already set, set the CRYON bit.
2. If not already programmed, program the SKEYEN bit to '1'.

Note: Setting SKEYEN permanently makes Key #1 available as a Key Encryption Key only. It cannot be used for other encryption or decryption operations after that. It also permanently disables the ability of software to decrypt the session key into the CRYTXTA register, thereby breaking programmatic security (i.e., software can read the unencrypted key).

3. Set OPMOD[3:0] to '1111'.
4. Configure the CPHRSEL, CPHRMOD[2:0] and KEYMOD[1:0] register bit fields as desired; set SKEYSEL to '0'.
5. Read the KEYFAIL status bit. If this bit is '1', an illegal configuration has been selected and the encrypt operation will NOT be performed.
6. Write the encrypted session key received into the appropriate CRYTXT register.
7. Set the CRYGO bit. Poll the bit until it is cleared by hardware; alternatively, set the DONEIE bit (CRYCONL[11]) to generate an interrupt when the process is done.
8. For total key lengths of more than 128 bits, set SKEYSEL to '1' and repeat Steps 6 and 7.
9. Set KEYSRC[3:0] to '0000' to use the newly generated session key to encrypt and decrypt data.

PIC24FJ256GA412/GB412 FAMILY

25.8 Generating a Pseudorandom Number (PRN)

For operations that require a Pseudorandom Number (PRN), the method outlined in NIST SP800-90 can be adapted for efficient use with the Cryptographic Engine. This method uses the AES algorithm in CTR mode to create PRNs with minimal CPU overhead. PRNs generated in this manner can be used for cryptographic purposes or any other purpose that the host application may require.

The random numbers used as initial seeds can be taken from any source convenient to the user's application. If possible, a non-deterministic random number source should be used.

Note: PRN generation is not available when software keys are disabled (SWKYDIS = 1).

To perform the initial reseeding operation, and subsequent reseeds after the reseeding interval has expired:

1. Store a random number (128 bits) in CRYTXTA.
2. For the initial generation ONLY, use a key value of 0h (128 bits) and a counter value of 0h.
3. Configure the engine for AES encryption, CTR mode (OPMOD[3:0] = 0000, CPHRSEL = 1, CPHRMOD[2:0] = 100).
4. Perform an encrypt operation by setting CRYGO.
5. Move the results in CRYTXTC to RAM. This is the New Key Value (NEW_KEY).
6. Store another random number (128 bits) in CRYTXTA.
7. Configure the module for encryption as in Step 3.
8. Perform an encrypt operation by setting CRYGO.
9. Store this value in RAM. This is the New Counter Value (NEW_CTR).
10. For subsequent reseeding operations, use NEW_KEY and NEW_CTR for the starting key and counter values.

To generate the Pseudorandom Number:

1. Load NEW_KEY value from RAM into CRYKEY.
2. Load NEW_CTR value from RAM into CRYXTB.
3. Load CRYTXTA with 0h (128 bits).
4. Configure the engine for AES encryption, CTR mode (OPMOD[3:0] = 0000, CPHRSEL = 1, CPHRMOD[2:0] = 100).
5. Perform an encrypt operation by setting CRYGO.
6. Copy the generated PRN in CRYTXTC (PRNG_VALUE) to RAM.
7. Repeat the encrypt operation.
8. Store the value of CRYTXTC from this round as the new value of NEW_KEY.
9. Repeat the encrypt operation.
10. Store the value of CRYTXTC from this round as the new value of NEW_CTR.

Subsequent PRNs can be generated by repeating this procedure until the reseeding interval has expired. At that point, the reseeding operation is performed using the stored values of NEW_KEY and NEW_CTR.

25.9 Generating a True Random Number

1. Enable the Cryptographic mode (CRYON (CRYCONL[15]) = 1).
2. Set the OPMOD[3:0] bits to '1010'.
3. Start the request by setting the CRYGO bit (CRYCONL[8]) to '1'.
4. Wait for the CRYGO bit to be cleared to '0' by the hardware.
5. Read the random number from the CRYTXTA register.

25.10 Testing the Key Source Configuration

The validity of the key source configuration can always be tested by writing the appropriate register bits and then reading the KEYFAIL register bit. No operation needs to be started to perform this check; the module does not even need to be enabled.

PIC24FJ256GA412/GB412 FAMILY

25.11 Programming CFGPAGE (Page 0) Configuration Bits

1. If not already set, set the CRYON bit. Set KEYPG[3:0] to '0000'.
2. Read the PGMFAIL status bit. If this bit is '1', an illegal configuration has been selected and the programming operation will not be performed.
3. Write the data to be programmed into the Configuration Page into CRYTXTC[31:0]. Any bits that are set ('1') will be permanently programmed, while any bits that are cleared ('0') will not be programmed and may be programmed at a later time.
4. Set the CRYWR bit. Poll the bit until it is cleared; alternatively, set the OTPIE bit (CRYOTP[6]) to enable the optional OTP done interrupt.
5. Once all programming has completed, set the CRYREAD bit to reload the values from the on-chip storage. A read operation must be performed to complete programming.

Note: Do not clear the CRYON bit while the CRYREAD bit is set; this will result in an incomplete read operation and unavailable key data. To recover, set CRYON and CRYREAD, and allow the read operation to fully complete.

6. Poll the CRYREAD bit until it is cleared; alternatively, set the OTPIE bit (CRYOTP[6]) to enable the optional OTP done interrupt.
7. For production programming, the TSTPGM bit can be set to indicate a successful programming operation. When TSTPGM is set, the PGMTST bit (CRYOTP[7]) will also be set, allowing users to see the OTP array status by performing a read operation on the array.

Note: If the device enters Sleep mode during OTP programming, the contents of the OTP array may become corrupted. This is not a recoverable error. Users must ensure that entry into power-saving modes is disabled before OTP programming is performed.

25.12 Programming Keys

1. If not already set, set the CRYON bit.
2. Configure KEYPG[3:0] to the page you want to program.
3. Select the key storage destination using the KEYPSEL bit (CRYOTP[8]).
4. Read the PGMFAIL status bit. If this bit is '1', an illegal configuration has been selected and the programming operation will not be performed.
5. Write the data to be programmed into the Configuration Page into CRYTXTC[63:0]. Any bits that are set ('1') will be permanently programmed, while any bits that are cleared ('0') will not be programmed and may be programmed at a later time.
6. Set the CRYWR bit. Poll the bit until it is cleared; alternatively, set the OTPIE bit (CRYOTP[6]) to enable the optional OTP done interrupt.
7. Repeat Steps 2 through 5 for each OTP array page to be programmed.
8. Once all programming has completed, set the CRYREAD bit to reload the values from the on-chip storage. A read operation must be performed to complete programming.

Note: Do not clear the CRYON bit while the CRYREAD bit is set; this will result in an incomplete read operation and unavailable key data. To recover, set CRYON and CRYREAD, and allow the read operation to fully complete.

9. Poll the CRYREAD bit until it is cleared; alternatively, set the OTPIE bit (CRYOTP[6]) to enable the optional OTP done interrupt.
10. For production programming, the TSTPGM bit can be set to indicate a successful programming operation. When TSTPGM is set, the PGMTST bit (CRYOTP[7]) will also be set, allowing users to see the OTP array status by performing a read operation on the array.

Note: If the device enters Sleep mode during OTP programming, the contents of the OTP array may become corrupted. This is not a recoverable error. Users must ensure that entry into power-saving modes is disabled before OTP programming is performed.

PIC24FJ256GA412/GB412 FAMILY

25.12.1 KEY RAM WRITE PROTECTION

To prevent accidental overwriting of Key RAM data, each 64-bit block of Key RAM has an internal write lock bit that is not accessible from software. When a block is programmed, its write lock is set; this prevents further writes to the block. All write locks are cleared when the Key RAM is erased (resulting from either a tamper event or a software-initiated wipe) or on a device POR.

25.13 Verifying Programmed Keys

To maintain key security, the Secure OTP Array has no provision to read back its data to any user-accessible memory space in any operating mode. Therefore, there is no way to directly verify programmed data. The only method for verifying that they have been programmed correctly is to perform an encryption operation with a known plaintext/ciphertext pair for each programmed key.

25.14 Key Erasure

Cryptographic keys written to the Secure OTP Array are considered to be programmatically secure. As they cannot be read by any program operation in any operating mode, no provision is made for their erasure.

To prevent an unauthorized third party from obtaining data in Key RAM, two methods are provided to erase key data in the event of application tampering: hardware anti-tampering and software-based erasure.

Hardware anti-tampering monitors the $\overline{\text{TMPR}}$ pin. If a low pulse or sustained low-voltage level is detected, the Key RAM will be automatically erased. Anti-tampering is enabled as a device configuration option by programming (= 0) the TMPRWIPE Configuration bit (FDEVOPT[3]).

Software-based erasure uses software monitoring in the application to detect an interruption of normal execution. Should this happen, the application can set the KEYWIPE bit (CRYCONH[4]) to immediately erase the Key RAM.

25.15 Operation During Sleep and Idle Modes

25.15.1 OPERATION DURING SLEEP MODES

Whenever the device enters any Sleep or Deep Sleep mode, all operation engine state machines are reset. This feature helps to preserve the integrity, or any data being encrypted or decrypted, by discarding any intermediate text that might be used to break the key.

Any OTP programming operations under way when a Sleep mode is entered are also halted. Depending on what is being programmed, this may result in permanent loss of a memory location or potentially the use of the entire Secure OTP Array. Users are advised to perform OTP programming only when entry into power-saving modes is disabled.

Note: OTP programming errors, regardless of the source, are not recoverable errors. Users should ensure that all foreseeable interruptions to the programming operation, including device interrupts and entry into power-saving modes, are disabled.

25.15.2 KEY STORAGE IN DEEP SLEEP AND VBAT MODES

Under normal circumstances, power is removed from the Key RAM along with the Cryptographic Engine during Deep Sleep and VBAT modes. This results in the loss of any key data that may be stored there. To maintain the Key RAM in these modes, set the KEYRAMEN bit (DSCON[11]). This will result in a fractional increase of current consumption.

25.15.3 OPERATION DURING IDLE MODE

When the CRYSIDL bit (CRYCONL[13]) is '0', the engine will continue any ongoing operations without interruption when the device enters Idle mode.

When CRYSIDL is '1', the module behaves as in Sleep modes.

PIC24FJ256GA412/GB412 FAMILY

REGISTER 25-1: CRYCONH: CRYPTOGRAPHIC CONTROL HIGH REGISTER

U-0	R/W-0 ⁽¹⁾	R/W-0 ⁽¹⁾	R/W-0 ⁽¹⁾	R/W-0 ⁽¹⁾	R/W-0 ⁽¹⁾	R/W-0 ⁽¹⁾	R/W-0 ⁽¹⁾
—	CTRSIZE[6:0] ^(2,3)						
bit 15	bit 8						

R/W-0 ⁽¹⁾	R/W-0 ⁽¹⁾	R/W-0 ⁽¹⁾	R/S-0 ⁽¹⁾	R/W-0 ⁽¹⁾	R/W-0 ⁽¹⁾	R/W-0 ⁽¹⁾	R/W-0 ⁽¹⁾
SKEYSEL	KEYMOD1 ⁽²⁾	KEYMOD0 ⁽²⁾	KEYWIPE	KEYSRC3 ⁽²⁾	KEYSRC2 ⁽²⁾	KEYSRC1 ⁽²⁾	KEYSRC0 ⁽²⁾
bit 7							bit 0

Legend:	S = Settable Only bit		
R = Readable bit	W = Writable bit	U = Unimplemented bit, read as '0'	
-n = Value at POR	'1' = Bit is set	'0' = Bit is cleared	x = Bit is unknown

- bit 15 **Unimplemented:** Read as '0'
- bit 14-8 **CTRSIZE[6:0]:** Counter Size Select bits^(1,2,3)
 Counter is defined as CRYTXTB[n:0], where n = CTRSIZE_x. The counter increments after each operation and generates a rollover event when the counter rolls over from $(2^{n-1} - 1)$ to 0.
 1111111 = 128 bits (CRYTXTB[127:0])
 1111110 = 127 bits (CRYTXTB[126:0])
 •
 •
 •
 0000010 = 3 bits (CRYTXTB[2:0])
 0000001 = 2 bits (CRYTXTB[1:0])
 0000000 = 1 bit (CRYTXTB[0]); rollover event occurs when CRYTXTB[0] toggles from '1' to '0'
- bit 7 **SKEYSEL:** Session Key Select bit⁽¹⁾
 1 = Key generation/encryption/loading performed with CRYKEY[255:128]
 0 = Key generation/encryption/loading performed with CRYKEY[127:0]
- bit 6-5 **KEYMOD[1:0]:** AES/DES Encrypt/Decrypt Key Mode/Key Length Select bits^(1,2)
For DES Encrypt/Decrypt Operations (CPHRSEL = 0):
 11 = 64-bit, 3-key 3DES
 10 = Reserved
 01 = 64-bit, standard 2-key 3DES
 00 = 64-bit DES
For AES Encrypt/Decrypt Operations (CPHRSEL = 1):
 11 = Reserved
 10 = 256-bit AES
 01 = 192-bit AES
 00 = 128-bit AES
- bit 4 **KEYWIPE:** Key RAM Erase Enable bit⁽¹⁾
 1 = Erases Key RAM (set only by software, cleared only by hardware on the next clock cycle)
 0 = Key RAM erase has not been requested or has completed
- bit 3-0 **KEYSRC[3:0]:** Cipher Key Source bits^(1,2)
 Refer to [Table 25-1](#) and [Table 25-2](#) for KEYSRC[3:0] values.

Note 1: These bits are reset on system Resets or whenever the CRYMD bit (PMD8[0]) is set.
2: Writes to these bit fields are locked out whenever an operation is in progress (CRYGO bit is set).
3: Used only in CTR operations when CRYTXTB is being used as a counter; otherwise, these bits have no effect.

PIC24FJ256GA412/GB412 FAMILY

REGISTER 25-2: CRYCONL: CRYPTOGRAPHIC CONTROL LOW REGISTER

R/W-0	U-0	R/W-0	R/W-0 ⁽¹⁾	R/W-0 ⁽¹⁾	R/W-0 ⁽¹⁾	U-0	HC/R/W-0 ⁽¹⁾
CRYON	—	CRYSIDL ⁽³⁾	ROLLIE	DONEIE	FREEIE	—	CRYGO
bit 15							bit 8

R/W-0 ⁽¹⁾	R/W-0 ⁽¹⁾	R/W-0 ⁽¹⁾	R/W-0 ⁽¹⁾	R/W-0 ⁽¹⁾	R/W-0 ⁽¹⁾	R/W-0 ⁽¹⁾	R/W-0 ⁽¹⁾
OPMOD3 ⁽²⁾	OPMOD2 ⁽²⁾	OPMOD1 ⁽²⁾	OPMOD0 ⁽²⁾	CPHRSEL ⁽²⁾	CPHRMOD2 ⁽²⁾	CPHRMOD1 ⁽²⁾	CPHRMOD0 ⁽²⁾
bit 7							bit 0

Legend:	HC = Hardware Clearable bit
R = Readable bit	W = Writable bit
-n = Value at POR	'1' = Bit is set
	U = Unimplemented bit, read as '0'
	'0' = Bit is cleared
	x = Bit is unknown

- bit 15 **CRYON:** Cryptographic Enable bit
 1 = Module is enabled
 0 = Module is disabled
- bit 14 **Unimplemented:** Read as '0'
- bit 13 **CRYSIDL:** Cryptographic Stop in Idle Control bit⁽³⁾
 1 = Stops module operation in Idle mode
 0 = Continues module operation in Idle mode
- bit 12 **ROLLIE:** CRYXTB Rollover Interrupt Enable bit⁽¹⁾
 1 = Generates an interrupt event when the counter portion of CRYXTB rolls over to '0'
 0 = Does not generate an interrupt event when the counter portion of CRYXTB rolls over to '0'
- bit 11 **DONEIE:** Operation Done Interrupt Enable bit⁽¹⁾
 1 = Generates an interrupt event when the current cryptographic operation completes
 0 = Does not generate an interrupt event when the current cryptographic operation completes; software must poll the CRYGO or CRYBSY bit to determine when the current cryptographic operation is complete
- bit 10 **FREEIE:** Input Text Interrupt Enable bit⁽¹⁾
 1 = Generates an interrupt event when the input text (plaintext or ciphertext) is consumed during the current cryptographic operation
 0 = Does not generate an interrupt event when the input text is consumed
- bit 9 **Unimplemented:** Read as '0'
- bit 8 **CRYGO:** Cryptographic Engine Start bit⁽¹⁾
 1 = Starts the operation specified by OPMOD[3:0] (cleared automatically when operation is done)
 0 = Stops the current operation (when cleared by software); also indicates the current operation has completed (when cleared by hardware)

- Note 1:** These bits are reset on system Resets or whenever the CRYMD bit (PMD8[0]) is set.
- 2:** Writes to these bit fields are locked out whenever an operation is in progress (CRYGO bit is set).
- 3:** If the device enters Idle mode when CRYSIDL = 1, the module will stop its current operation. Entering into Idle mode while an OTP write operation is in process can result in irreversible corruption of the OTP.

PIC24FJ256GA412/GB412 FAMILY

REGISTER 25-2: CRYCONL: CRYPTOGRAPHIC CONTROL LOW REGISTER (CONTINUED)

bit 7-4	OPMOD[3:0]: Operating Mode Selection bits ^(1,2) 1111 = Loads session key (decrypts session key in CRYTXTA/CRYXTB using the Key Encryption Key and writes to CRYKEY) 1110 = Encrypts session key (encrypts session key in CRYKEY using the Key Encryption Key and writes to CRYTXTA/CRYXTB) 1011 = Generates a session key (generates a True Random Number with the TRNG) and loads it into CRYKEY 1010 = Generates a True Random Number (using the TRNG) and loads it into CRYTXTA 1001 • • = Reserved • 0011 0010 = AES decryption key expansion 0001 = Decryption 0000 = Encryption
bit 3	CPHRSEL: Cipher Engine Select bit ^(1,2) 1 = AES engine 0 = DES engine
bit 2-0	CPHRMOD[2:0]: Cipher Mode bits ^(1,2) 11x = Reserved 101 = Reserved 100 = Counter (CTR) mode 011 = Output Feedback (OFB) mode 010 = Cipher Feedback (CFB) mode 001 = Cipher Block Chaining (CBC) mode 000 = Electronic Codebook (ECB) mode

- Note 1:** These bits are reset on system Resets or whenever the CRYMD bit (PMD8[0]) is set.
- Note 2:** Writes to these bit fields are locked out whenever an operation is in progress (CRYGO bit is set).
- Note 3:** If the device enters Idle mode when CRYSIDL = 1, the module will stop its current operation. Entering into Idle mode while an OTP write operation is in process can result in irreversible corruption of the OTP.

PIC24FJ256GA412/GB412 FAMILY

REGISTER 25-3: CRYSTAT: CRYPTOGRAPHIC STATUS REGISTER

U-0	U-0	U-0	U-0	U-0	U-0	U-0	U-0
—	—	—	—	—	—	—	—
bit 15							bit 8

HSC/R-x ⁽¹⁾	HSC/R-0 ⁽¹⁾	HS/R/C-0 ⁽²⁾	HS/R/C-0 ⁽²⁾	U-0	HSC/R-0 ⁽¹⁾	HSC/R-x ⁽¹⁾	HSC/R-x ⁽¹⁾
CRYBSY ⁽⁴⁾	TXTABSY	CRYABRT ⁽⁵⁾	ROLLOVR	—	MODFAIL ⁽³⁾	KEYFAIL ^(3,4)	PGMFAIL ^(3,4)
bit 7							bit 0

Legend:	C = Clearable bit	HSC = Hardware Settable/Clearable bit
R = Readable bit	HS = Hardware Settable bit	U = Unimplemented bit, read as '0'
-n = Value at POR	'1' = Bit is set	'0' = Bit is cleared
		x = Bit is unknown

- bit 15-8 **Unimplemented:** Read as '0'
- bit 7 **CRYBSY:** Cryptographic Engine Busy Status bit^(1,4)
 - 1 = A cryptographic operation is in progress
 - 0 = No cryptographic operation is in progress
- bit 6 **TXTABSY:** CRYTXTA Busy Status bit⁽¹⁾
 - 1 = The CRYTXTA register is busy and may not be written to
 - 0 = The CRYTXTA is free and may be written to
- bit 5 **CRYABRT:** Cryptographic Operation Aborted Status bit^(2,5)
 - 1 = Last operation was aborted by clearing the CRYGO bit in software
 - 0 = Last operation completed normally (CRYGO cleared in hardware)
- bit 4 **ROLLOVR:** Counter Rollover Status bit⁽²⁾
 - 1 = The CRYXTB counter rolled over on the last CTR mode operation; once set, this bit must be cleared by software before the CRYGO bit can be set again
 - 0 = No rollover event has occurred
- bit 3 **Unimplemented:** Read as '0'
- bit 2 **MODFAIL:** Mode Configuration Fail Flag bit^(1,3)
 - 1 = Currently selected operating and Cipher mode configuration is invalid; the CRYWR bit cannot be set until a valid mode is selected (automatically cleared by hardware with any valid configuration)
 - 0 = Currently selected operating and Cipher mode configurations are valid
- bit 1 **KEYFAIL:** Key Configuration Fail Status bit^(1,3,4)
 - See [Table 25-1](#) and [Table 25-2](#) for invalid key configurations.
 - 1 = Currently selected key and mode configurations are invalid; the CRYWR bit cannot be set until a valid mode is selected (automatically cleared by hardware with any valid configuration)
 - 0 = Currently selected configurations are valid
- bit 0 **PGMFAIL:** Key Storage/Configuration Program Fail Flag bit^(1,3,4)
 - 1 = The page indicated by KEYPG[3:0] is reserved or locked; the CRYWR bit cannot be set and no programming operation can be started
 - 0 = The page indicated by KEYPG[3:0] is available for programming

- Note 1:** These bits are reset on system Resets or whenever the CRYMD bit (PMD8[0]) is set.
- 2:** These bits are reset on system Resets when the CRYMD bit is set or when CRYGO is cleared.
- 3:** These bits are functional even when the module is disabled (CRYON = 0); this allows mode configurations to be validated for compatibility before enabling the module.
- 4:** These bits are automatically set during all OTP read operations, including the initial read at POR. Once the read is completed, the bit assumes the proper state that reflects the current configuration.
- 5:** If this bit is set, a cryptographic operation cannot be performed.

PIC24FJ256GA412/GB412 FAMILY

REGISTER 25-4: CRYOTP: CRYPTOGRAPHIC OTP PAGE PROGRAM CONTROL REGISTER

U-0	U-0	U-0	U-0	U-0	U-0	U-0	R/W-0
—	—	—	—	—	—	—	KEYPSEL
bit 15							bit 8

HSC/R-x ⁽¹⁾	R/W-0 ⁽¹⁾	HC/R/S-1	R/W-0 ⁽¹⁾	R/W-0 ⁽¹⁾	R/W-0 ⁽¹⁾	R/W-0 ⁽¹⁾	HC/R/S-0 ⁽²⁾
PGMTST	OTPIE	CRYREAD ^(3,4)	KEYPG3	KEYPG2	KEYPG1	KEYPG0	CRYWR ^(3,4)
bit 7							bit 0

Legend:	S = Settable Only bit	HSC = Hardware Settable/Clearable bit
R = Readable bit	W = Writable bit	U = Unimplemented bit, read as '0'
-n = Value at POR	'1' = Bit is set	'0' = Bit is cleared
HC = Hardware Clearable bit		x = Bit is unknown

- bit 15-9 **Unimplemented:** Read as '0'
- bit 8 **KEYPSEL:** Key Storage Programming Select bit
 - 1 = Programming operations write to Key RAM
 - 0 = Programming operations write to the Secure OTP Array
- bit 7 **PGMTST:** Key Storage/Configuration Program Test bit⁽¹⁾
 - This bit mirrors the state of the TSTPGM bit and is used to test the programming of the Secure OTP Array after programming.
 - 1 = TSTPGM (CFGPAGE[30]) is programmed ('1')
 - 0 = TSTPGM is not programmed ('0')
- bit 6 **OTPIE:** Key Storage/Configuration Program Interrupt Enable bit⁽¹⁾
 - 1 = Generates an interrupt when the current programming or read operation completes
 - 0 = Does not generate an interrupt when the current programming or read operation completes; software must poll the CRYWR, CRYREAD or CRYBSY bit to determine when the current programming operation is complete
- bit 5 **CRYREAD:** Cryptographic Key Storage/Configuration Read bit^(3,4)
 - 1 = This bit is set to start a read operation; read operation is in progress while this bit is set and CRYGO = 1
 - 0 = Read operation has completed
- bit 4-1 **KEYPG[3:0]:** Key Storage/Configuration Program Page Select bits⁽¹⁾
 - 1111
 - = Reserved
 - 1001
 - 1000 = OTP Page 8
 - 0111 = OTP Page 7
 - 0110 = OTP Page 6
 - 0101 = OTP Page 5
 - 0100 = OTP Page 4
 - 0011 = OTP Page 3
 - 0010 = OTP Page 2
 - 0001 = OTP Page 1
 - 0000 = Configuration Page (CFGPAGE, OTP Page 0)
- bit 0 **CRYWR:** Cryptographic Key Storage/Configuration Program bit^(2,3,4)
 - 1 = Programs the Key Storage/Configuration bits with the value found in CRYTTC[63:0]
 - 0 = Program operation has completed

- Note 1:** These bits are reset on system Resets or whenever the CRYMD bit (PMD8[0]) is set.
- Note 2:** These bits are reset on system Resets when the CRYMD bit is set or when CRYGO is cleared.
- Note 3:** Set this bit only when CRYON = 1 and CRYGO = 0. Do not set CRYREAD or CRYWR both, at any given time.
- Note 4:** Do not clear CRYON or these bits while they are set; always allow the hardware operation to complete and clear the bits automatically.

PIC24FJ256GA412/GB412 FAMILY

**REGISTER 25-5: CFGPAGE: SECURE ARRAY CONFIGURATION BITS (OTP PAGE 0)
REGISTER**

r-x	R/PO-x	R/P-x	R/P-x	R/PO-x	R/PO-x	R/PO-x	R/PO-x
—	TSTPGM ⁽¹⁾	KEYSZRAM1	KEYSZRAM0	KEY4TYPE1	KEY4TYPE0	KEY3TYPE1	KEY3TYPE0
bit 31							bit 24

R/PO-x	R/PO-x	R/PO-x	R/PO-x	R/PO-x	R/PO-x	R/PO-x	R/PO-x
KEY2TYPE1	KEY2TYPE0	KEY1TYPE1	KEY1TYPE0	SKEYEN	LKYSRC7	LKYSRC6	LKYSRC5
bit 23							bit 16

R/PO-x	R/PO-x	R/PO-x	R/PO-x	R/PO-x	R/PO-x	R/PO-x	R/PO-x
LKYSRC4	LKYSRC3	LKYSRC2	LKYSRC1	LKYSRC0	SRCLCK	WRLOCK8	WRLOCK7
bit 15							bit 8

R/PO-x	R/PO-x	R/PO-x	R/PO-x	R/PO-x	R/PO-x	R/PO-x	R/PO-x
WRLOCK6	WRLOCK5	WRLOCK74	WRLOCK3	WRLOCK2	WRLOCK1	WRLOCK0	SWKYDIS
bit 7							bit 0

Legend:	r = Reserved bit		
R = Readable bit	PO = Program Once bit	U = Unimplemented bit, read as '0'	
-n = Value at POR	'1' = Bit is set	'0' = Bit is cleared	x = Bit is unknown

- bit 31 **Reserved:** Do not modify
- bit 30 **TSTPGM:** Customer Program Test bit⁽¹⁾
1 = CFGPAGE has been programmed
0 = CFGPAGE has not been programmed
- bit 29-28 **KEYSZRAM[1:0]:** Key Type Selection bits (Key RAM Pages)
11 = Keys in these pages are 192/256-bit AES operations only
10 = Keys in these pages are 128-bit AES operations only
01 = Keys in these pages are DES3 operations only
00 = Keys in these pages are DES/DES2 operations only
- bit 27-26 **KEY4TYPE[1:0]:** Key Type for OTP Pages 7 and 8 bits
11 = Keys in these pages are for 192-bit/256-bit AES operations only
10 = Keys in these pages are for 128-bit AES operations only
01 = Keys in these pages are for 3DES operations only
00 = Keys in these pages are for DES/2DES operations only
- bit 25-24 **KEY3TYPE[1:0]:** Key Type for OTP Pages 5 and 6 bits
11 = Keys in these pages are for 192-bit/256-bit AES operations only
10 = Keys in these pages are for 128-bit AES operations only
01 = Keys in these pages are for 3DES operations only
00 = Keys in these pages are for DES/2DES operations only
- bit 23-22 **KEY2TYPE[1:0]:** Key Type for OTP Pages 3 and 4 bits
11 = Keys in these pages are for 192-bit/256-bit AES operations only
10 = Keys in these pages are for 128-bit AES operations only
01 = Keys in these pages are for 3DES operations only
00 = Keys in these pages are for DES/2DES operations only

Note 1: This bit's state is mirrored by the PGMST bit (CRYOTP[7]).

PIC24FJ256GA412/GB412 FAMILY

REGISTER 25-5: CFGPAGE: SECURE ARRAY CONFIGURATION BITS (OTP PAGE 0) REGISTER (CONTINUED)

- bit 21-20 **KEY1TYPE[1:0]**: Key Type for OTP Pages 1 and 2 bits
11 = Keys in these pages are for 192-bit/256-bit AES operations only
10 = Keys in these pages are for 128-bit AES operations only
01 = Keys in these pages are for 3DES operations only
00 = Keys in these pages are for DES/2DES operations only
- bit 19 **SKEYEN**: Session Key Enable bit
1 = Stored Key #1 may be used only as a Key Encryption Key
0 = Stored Key #1 may be used for any operation
- bit 18-11 **LKYSRC[7:0]**: Locked Key Source Configuration bits
If SRCLCK = 1:
1xxxxxxx = Key source is as if KEYSRC[3:0] = 1111
01xxxxxx = Key source is as if KEYSRC[3:0] = 0111
001xxxxx = Key source is as if KEYSRC[3:0] = 0110
0001xxxx = Key source is as if KEYSRC[3:0] = 0101
00001xxx = Key source is as if KEYSRC[3:0] = 0100
000001xx = Key source is as if KEYSRC[3:0] = 0011
0000001x = Key source is as if KEYSRC[3:0] = 0010
00000001 = Key source is as if KEYSRC[3:0] = 0001
00000000 = Key source is as if KEYSRC[3:0] = 0000
If SRCLCK = 0:
These bits are ignored.
- bit 10 **SRCLCK**: Key Source Lock bit
1 = The key source is determined by the LKYSRC[7:0] bits (software key selection is disabled)
0 = The key source is determined by the KEYSRC[3:0] (CRYCONH[3:0]) bits (locked key selection is disabled)
- bit 9-1 **WRLOCK[8:0]**: Write Lock Page Enable bits
For OTP Pages 0 (CFGPAGE) through 8:
1 = OTP Page is permanently locked and may not be programmed
0 = OTP Page is unlocked and may be programmed
- bit 0 **SWKYDIS**: Software Key Disable bit
1 = Software key (CRYKEY register) is disabled; when KEYSRC[3:0] = 0000, the KEYFAIL status bit will be set and no encryption/decryption/session key operations can be started until KEYSRC[3:0] bits are changed to a value other than '0000'
0 = Software key (CRYKEY register) can be used as a key source when KEYSRC[3:0] = 0000

Note 1: This bit's state is mirrored by the PGMST bit (CRYOTP[7]).

PIC24FJ256GA412/GB412 FAMILY

TABLE 25-1: DES/3DES KEY SOURCE SELECTION

Mode of Operation	KEYMOD[1:0]	KEYSRC[3:0]	Session Key Source (SESSKEY)		OTP OR RAM Array Address
			0	1	
64-Bit DES	00	0000 ⁽¹⁾	CRYKEY[63:0]		—
		0001	DES Key #1	Key Config Error ⁽²⁾	[63:0]
		0010	DES Key #2		[127:64]
		0011	DES Key #3		[191:128]
		0100	DES Key #4		[255:192]
		0101	DES Key #5		[319:256]
		0110	DES Key #6		[383:320]
		0111	DES Key #7		[447:384]
		1001	DES Key #1 (RAM)		[63:0]
		1010	DES Key #2 (RAM)		[127:64]
		1011	DES Key #3 (RAM)		[191:128]
		1100	DES Key #4 (RAM)		[255:192]
		1101	DES Key #5 (RAM)		[319:256]
		1110	DES Key #6 (RAM)		[383:320]
		1111	DES Key #7 (RAM)		[447:384]
		All Others	Key Config Error ⁽²⁾		—
64-Bit, 2-Key 3DES (Standard 2-Key E-D-E/D-E-D)	01	0000 ⁽¹⁾	CRYKEY[63:0] (1st/3rd) CRYKEY[127:64] (2nd)		—
		0001	DES Key #1 (1st/3rd) DES Key #2 (2nd)	Key Config Error ⁽²⁾	[63:0] [127:64]
		0010	DES Key #3 (1st/3rd) DES Key #4 (2nd)		[191:128] [255:192]
		0011	DES Key #5 (1st/3rd) DES Key #6 (2nd)		[319:256] [383:320]
		0100	DES Key #7 (1st/3rd) DES Key #8 (2nd)		[447:384] [511:448]
		1001	DES Key #9 (1st/3rd) (RAM) DES Key #10 (2nd) (RAM)		[63:0] [127:64]
		1010	DES Key #11 (1st/3rd) (RAM) DES Key #12 (2nd) (RAM)		[191:128] [255:192]
		1011	DES Key #13 (1st/3rd) (RAM) DES Key #14 (2nd) (RAM)		[319:256] [383:320]
		1100	DES Key #15 (1st/3rd) (RAM) DES Key #16 (2nd) (RAM)		[447:384] [511:448]
		1111	Reserved ⁽²⁾		—
				All Others	Key Config Error ⁽²⁾
(Reserved)	10	xxxx	Key Config Error ⁽²⁾		—

Note 1: This configuration is considered a key configuration error (KEYFAIL bit is set) if SWKYDIS is also set.

2: The KEYFAIL bit (CRYSTAT[1]) is set when these configurations are selected and remains set until a valid configuration is selected.

PIC24FJ256GA412/GB412 FAMILY

TABLE 25-1: DES/3DES KEY SOURCE SELECTION (CONTINUED)

Mode of Operation	KEYMOD[1:0]	KEYSRC[3:0]	Session Key Source (SESSKEY)		OTP OR RAM Array Address
			0	1	
64-Bit, 3-Key 3DES	11	0000 ⁽¹⁾	CRYKEY[63:0] (1st Iteration) CRYKEY[127:64] (2nd Iteration) CRYKEY[191:128] (3rd Iteration)		—
		0001	DES Key #1 (1st) DES Key #2 (2nd) DES Key #3 (3rd)	Key Config Error ⁽²⁾	[63:0] [127:64] [191:128]
		0010	DES Key #4 (1st) DES Key #5 (2nd) DES Key #6 (3rd)		[255:192] [319:256] [383:320]
		1001	DES Key #4 (1st) (RAM) DES Key #5 (2nd) (RAM) DES Key #6 (3rd) (RAM)		[63:0] [127:64] [191:128]
		1010	DES Key #7 (1st) (RAM) DES Key #8 (2nd) (RAM) DES Key #9 (3rd) (RAM)		[255:192] [319:256] [383:320]
		1111	Reserved ⁽²⁾		—
		All Others	Key Config Error ⁽²⁾		—

- Note 1:** This configuration is considered a key configuration error (KEYFAIL bit is set) if SWKYDIS is also set.
- Note 2:** The KEYFAIL bit (CRYSTAT[1]) is set when these configurations are selected and remains set until a valid configuration is selected.

PIC24FJ256GA412/GB412 FAMILY

TABLE 25-2: AES KEY MODE/SOURCE SELECTION

Mode of Operation	KEYMOD[1:0]	KEYSRC[3:0]	Key Source		OTP Address
			SKEYEN = 0	SKEYEN = 1	
128-Bit AES	00	0000 ⁽¹⁾	CRYKEY[127:0]		—
		0001	AES Key #1	Key Config Error ⁽²⁾	[127:0]
		0010	AES Key #2		[255:128]
		0011	AES Key #3		[383:256]
		0100	AES Key #4		[511:384]
		1001	AES Key #5 (RAM)		[127:0]
		1010	AES Key #6 (RAM)		[255:128]
		1011	AES Key #7 (RAM)		[383:256]
		1100	AES Key #8 (RAM)		[511:384]
		1111	Reserved ⁽²⁾		—
		All Others	Key Config Error ⁽²⁾		—
192-Bit AES	01	0000 ⁽¹⁾	CRYKEY[191:0]		—
		0001	AES Key #1	Key Config Error ⁽²⁾	[191:0]
		0010	AES Key #2		[383:192]
		1001	AES Key #3 (RAM)		[191:0]
		1010	AES Key #4 (RAM)		[383:192]
		1111	Reserved ⁽²⁾		—
		All Others	Key Config Error ⁽²⁾		—
256-Bit AES	10	0000 ⁽¹⁾	CRYKEY[255:0]		—
		0001	AES Key #1	Key Config Error ⁽²⁾	[255:0]
		0010	AES Key #2		[511:256]
		1001	AES Key #3 (RAM)		[255:0]
		1010	AES Key #4 (RAM)		[511:256]
		1111	Reserved ⁽²⁾		—
		All Others	Key Config Error ⁽²⁾		—
(Reserved)	11	xxxx	Key Config Error ⁽²⁾		—

Note 1: This configuration is considered a key configuration error (KEYFAIL bit is set) if SWKYDIS is also set.

2: The KEYFAIL bit (CRYSTAT[1]) is set when these configurations are selected and remains set until a valid configuration is selected.

PIC24FJ256GA412/GB412 FAMILY

NOTES:

PIC24FJ256GA412/GB412 FAMILY

26.0 32-BIT PROGRAMMABLE CYCLIC REDUNDANCY CHECK (CRC) GENERATOR

Note: This data sheet summarizes the features of this group of PIC24F devices. It is not intended to be a comprehensive reference source. For more information, refer to the “*dsPIC33/PIC24 Family Reference Manual*”, “**32-Bit Programmable Cyclic Redundancy Check (CRC)**” (www.microchip.com/DS30009729). The information in this data sheet supersedes the information in the FRM.

The 32-bit programmable CRC generator provides a hardware implemented method of quickly generating checksums for various networking and security applications. It offers the following features:

- User-Programmable CRC Polynomial Equation, up to 32 bits
- Programmable Shift Direction (little or big-endian)
- Independent Data and Polynomial Lengths
- Configurable Interrupt Output
- Data FIFO

Figure 26-1 displays a simplified block diagram of the CRC generator. A simple version of the CRC shift engine is displayed in Figure 26-2.

FIGURE 26-1: CRC MODULE BLOCK DIAGRAM

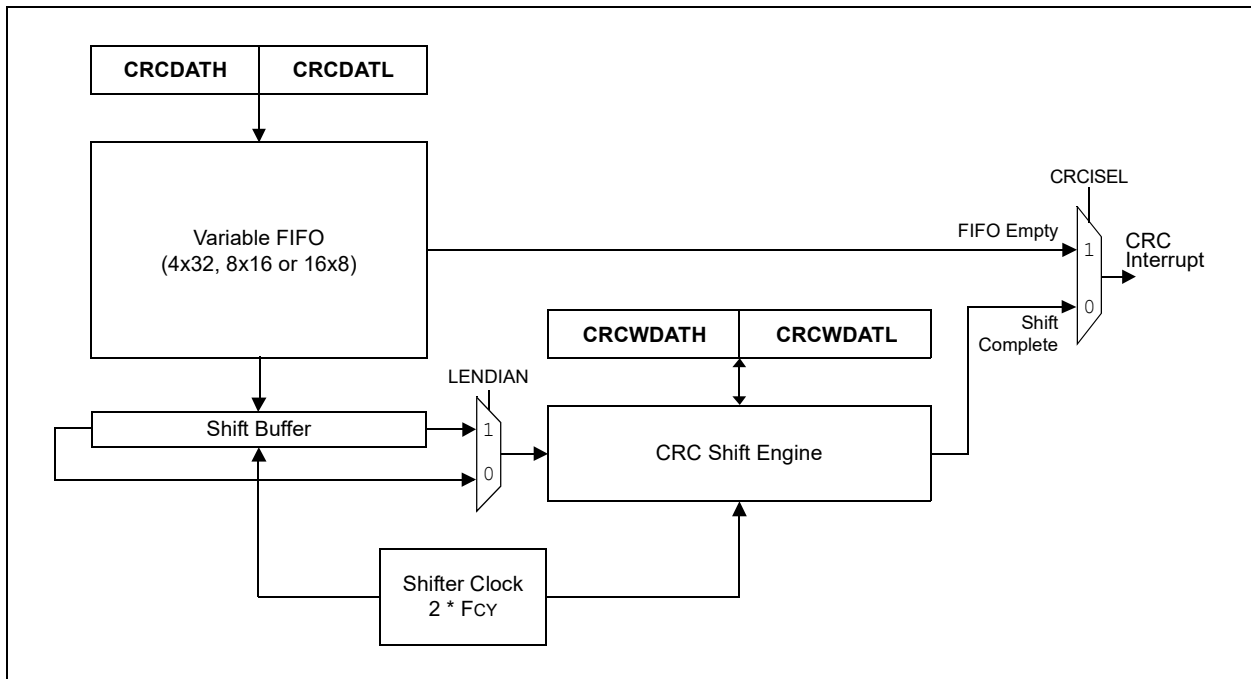
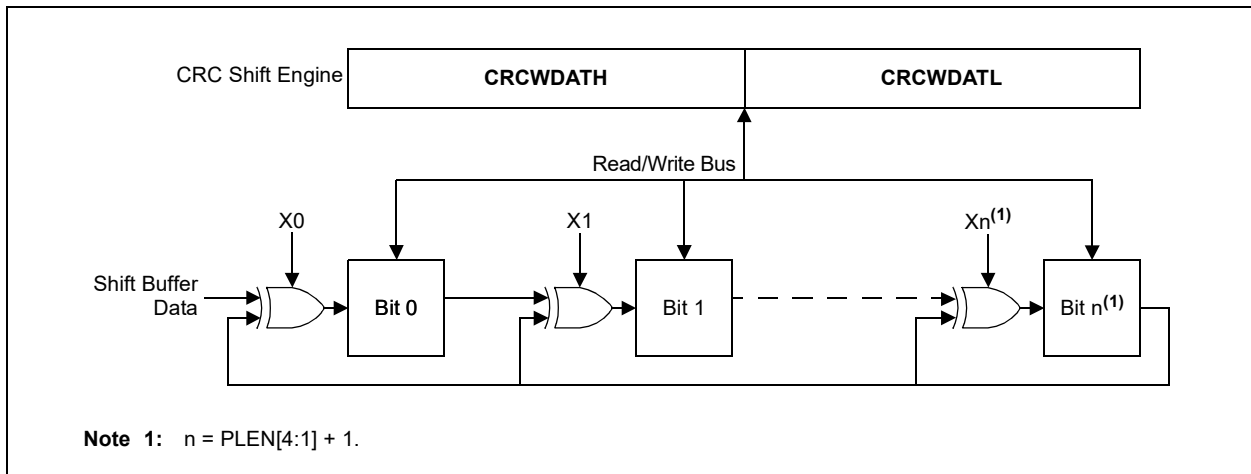


FIGURE 26-2: CRC SHIFT ENGINE DETAIL



PIC24FJ256GA412/GB412 FAMILY

26.1 User Interface

26.1.1 POLYNOMIAL INTERFACE

The CRC module can be programmed for CRC polynomials of up to the 32nd order, using up to 32 bits.

Polynomial length, which reflects the highest exponent in the equation, is selected by the PLEN[4:0] bits (CRCCON2[4:0]).

The CRCXORL and CRCXORH registers control which exponent terms are included in the equation. Setting a particular bit includes that exponent term in the equation. Functionally, this includes an XOR operation on the corresponding bit in the CRC engine. Clearing the bit disables the XOR.

For example, consider two CRC polynomials, one is a 16-bit and the other is a 32-bit equation.

EQUATION 26-1: 16-BIT, 32-BIT CRC POLYNOMIALS

$X^{16} + X^{12} + X^5 + 1$
and
$X^{32} + X^{26} + X^{23} + X^{22} + X^{16} + X^{12} + X^{11} + X^{10} + X^8 + X^7 + X^5 + X^4 + X^2 + X + 1$

To program these polynomials into the CRC generator, set the register bits, as shown in [Table 26-1](#).

Note that the appropriate positions are set to '1' to indicate that they are used in the equation (for example, X26 and X23). The '0' bit required by the equation is always XORed; thus, X0 is a don't care. For a polynomial of length 32, it is assumed that the 32nd bit will be used. Therefore, the X[31:1] bits do not have the 32nd bit.

26.1.2 DATA INTERFACE

The module incorporates a FIFO that works with a variable data width. Input data width can be configured to any value, between 1 and 32 bits, using the DWIDTH[4:0] bits (CRCCON2[12:8]). When the data width is greater than 15, the FIFO is 4 words deep. When the DWIDTHx bits are between 15 and 8, the FIFO is 8 words deep. When the DWIDTHx bits are less than 8, the FIFO is 16 words deep.

The data for which the CRC is to be calculated must first be written into the FIFO. Even if the data width is less than 8, the smallest data element that can be written into the FIFO is 1 byte. For example, if the DWIDTHx bits are 5, then the size of the data is DWIDTH[4:0] + 1 or 6. The data are written as a whole byte; the two unused upper bits are ignored by the module.

Once data are written into the MSb of the CRCDAT registers (that is, the MSb as defined by the data width), the value of the VWORD[4:0] bits (CRCCON1[12:8]) increments by one. For example, if the DWIDTHx bits are 24, the VWORDx bits will increment when bit 7 of CRCDATH is written. Therefore, CRCDATL must always be written to before CRCDATH.

The CRC engine starts shifting data when the CRCGO bit is set and the value of the VWORDx bits is greater than zero.

Each word is copied out of the FIFO into a buffer register, which decrements the VWORDx bits. The data are then shifted out of the buffer. The CRC engine continues shifting at a rate of two bits per instruction cycle, until the VWORDx bits reach zero. This means that for a given data width, it takes half that number of instructions for each word to complete the calculation. For example, it takes 16 cycles to calculate the CRC for a single word of 32-bit data.

When the VWORDx bits reach the maximum value for the configured value of the DWIDTHx bits (4, 8 or 16), the CRCFUL bit becomes set. When the VWORDx bits reach zero, the CRCMPT bit becomes set. The FIFO is emptied and the VWORD[4:0] bits are set to '00000' whenever CRCEN is '0'.

At least one instruction cycle must pass after a write to CRCWDAT before a read of the VWORDx bits is done.

TABLE 26-1: CRC SETUP EXAMPLES FOR 16 AND 32-BIT POLYNOMIALS

CRC Control Bits	Bit Values	
	16-Bit Polynomial	32-Bit Polynomial
PLEN[4:0]	01111	11111
X[31:16]	0000 0000 0000 0001	0000 0100 1100 0001
X[15:0]	0001 0000 0010 000x	0001 1101 1011 011x

PIC24FJ256GA412/GB412 FAMILY

26.1.3 DATA SHIFT DIRECTION

The LENDIAN bit (CRCCON1[3]) is used to control the shift direction. By default, the CRC will shift data through the engine, MSb first. Setting LENDIAN (= 1) causes the CRC to shift data, LSb first. This setting allows better integration with various communication schemes and removes the overhead of reversing the bit order in software. Note that this only changes the direction the data are shifted into the engine. The result of the CRC calculation will still be a normal CRC result, not a reverse CRC result.

26.1.4 INTERRUPT OPERATION

The module generates an interrupt that is configurable by the user for either of two conditions.

If CRCISEL is '0', an interrupt is generated when the VWORD[4:0] bits make a transition from a value of '1' to '0'. If CRCISEL is '1', an interrupt will be generated after the CRC operation finishes and the module sets the CRCGO bit to '0'. Manually setting CRCGO to '0' will not generate an interrupt. Note that when an interrupt occurs, the CRC calculation would not yet be complete. The module will still need $(PLEN + 1)/2$ clock cycles, after the interrupt is generated, until the CRC calculation is finished.

26.1.5 TYPICAL OPERATION

To use the module for a typical CRC calculation:

1. Set the CRCEN bit to enable the module.
2. Configure the module for desired operation:
 - a) Program the desired polynomial using the CRCXORL and CRCXORH registers, and the PLEN[4:0] bits.
 - b) Configure the data width and shift direction using the DWIDTH[4:0] and LENDIAN bits.
 - c) Select the desired Interrupt mode using the CRCISEL bit.
3. Preload the FIFO by writing to the CRCDATL and CRCDATH registers until the CRCFUL bit is set or no data are left.
4. Clear old results by writing 00h to CRCWDATL and CRCWDATH. The CRCWDAT registers can also be left unchanged to resume a previously halted calculation.
5. Set the CRCGO bit to start calculation.
6. Write the remaining data into the FIFO as space becomes available.
7. When the calculation completes, CRCGO is automatically cleared. An interrupt will be generated if CRCISEL = 1.
8. Read CRCWDATL and CRCWDATH for the result of the calculation.

There are eight registers used to control programmable CRC operation:

- CRCCON1
- CRCCON2
- CRCXORL
- CRCXORH
- CRCDATL
- CRCDATH
- CRCWDATL
- CRCWDATH

The CRCCON1 and CRCCON2 registers ([Register 26-1](#) and [Register 26-2](#)) control the operation of the module and configure the various settings.

The CRCXOR registers ([Register 26-3](#) and [Register 26-4](#)) select the polynomial terms to be used in the CRC equation. The CRCDAT and CRCWDAT registers are each register pairs that serve as buffers for the double-word input data, and CRC processed output, respectively.

PIC24FJ256GA412/GB412 FAMILY

REGISTER 26-1: CRCCON1: CRC CONTROL REGISTER 1

R/W-0	U-0	R/W-0	HSC/R-0	HSC/R-0	HSC/R-0	HSC/R-0	HSC/R-0
CRGEN	—	CSIDL	VWORD4	VWORD3	VWORD2	VWORD1	VWORD0
bit 15							bit 8

HSC/R-0	HSC/R-1	R/W-0	HC/R/W-0	R/W-0	U-0	U-0	U-0
CRCFUL	CRCMPT	CRCISEL	CRCGO	LENDIAN	—	—	—
bit 7							bit 0

Legend:	HC = Hardware Clearable bit	HSC = Hardware Settable/Clearable bit
R = Readable bit	W = Writable bit	U = Unimplemented bit, read as '0'
-n = Value at POR	'1' = Bit is set	'0' = Bit is cleared x = Bit is unknown

- bit 15 **CRGEN:** CRC Enable bit
 1 = Enables module
 0 = Disables module; all state machines, pointers and CRCWDAT/CRCDAT registers reset; other SFRs are NOT reset
- bit 14 **Unimplemented:** Read as '0'
- bit 13 **CSIDL:** CRC Stop in Idle Mode bit
 1 = Discontinues module operation when device enters Idle mode
 0 = Continues module operation in Idle mode
- bit 12-8 **VWORD[4:0]:** Pointer Value bits
 Indicates the number of valid words in the FIFO. Has a maximum value of 8 when PLEN[4:0] ≥ 7 or 16 when PLEN[4:0] ≤ 7.
- bit 7 **CRCFUL:** FIFO Full bit
 1 = FIFO is full
 0 = FIFO is not full
- bit 6 **CRCMPT:** CRC FIFO Empty bit
 1 = FIFO is empty
 0 = FIFO is not empty
- bit 5 **CRCISEL:** CRC Interrupt Selection bit
 1 = Interrupt on FIFO is empty; the final word of data is still shifting through the CRC
 0 = Interrupt on shift is complete and results are ready
- bit 4 **CRCGO:** Start CRC bit
 1 = Starts CRC serial shifter
 0 = CRC serial shifter is turned off
- bit 3 **LENDIAN:** Data Shift Direction Select bit
 1 = Data word is shifted into the FIFO, starting with the LSb (little-endian)
 0 = Data word is shifted into the FIFO, starting with the MSb (big-endian)
- bit 2-0 **Unimplemented:** Read as '0'

PIC24FJ256GA412/GB412 FAMILY

REGISTER 26-2: CRCCON2: CRC CONTROL REGISTER 2

U-0	U-0	U-0	R/W-0	R/W-0	R/W-0	R/W-0	R/W-0
—	—	—	DWIDTH[4:0]				
bit 15							bit 8

U-0	U-0	U-0	R/W-0	R/W-0	R/W-0	R/W-0	R/W-0
—	—	—	PLEN[4:0]				
bit 7							bit 0

Legend:

R = Readable bit	W = Writable bit	U = Unimplemented bit, read as '0'
-n = Value at POR	'1' = Bit is set	'0' = Bit is cleared
		x = Bit is unknown

- bit 15-13 **Unimplemented:** Read as '0'
- bit 12-8 **DWIDTH[4:0]:** Data Word Width Configuration bits
Configures the width of the data word (Data Word Width – 1).
- bit 7-5 **Unimplemented:** Read as '0'
- bit 4-0 **PLEN[4:0]:** Polynomial Length Configuration bits
Configures the length of the polynomial (Polynomial Length – 1).

PIC24FJ256GA412/GB412 FAMILY

REGISTER 26-3: CRCXORL: CRC XOR POLYNOMIAL REGISTER, LOW BYTE

R/W-0	R/W-0	R/W-0	R/W-0	R/W-0	R/W-0	R/W-0	R/W-0	
X[15:8]								
bit 15								bit 8

R/W-0	R/W-0	R/W-0	R/W-0	R/W-0	R/W-0	R/W-0	U-0
X[7:1]							—
bit 7							bit 0

Legend:

R = Readable bit W = Writable bit U = Unimplemented bit, read as '0'
 -n = Value at POR '1' = Bit is set '0' = Bit is cleared x = Bit is unknown

bit 15-1 **X[15:1]:** XOR of Polynomial Term x^n Enable bits

bit 0 **Unimplemented:** Read as '0'

REGISTER 26-4: CRCXORH: CRC XOR POLYNOMIAL REGISTER, HIGH BYTE

R/W-0	R/W-0	R/W-0	R/W-0	R/W-0	R/W-0	R/W-0	R/W-0	
X[31:24]								
bit 15								bit 8

R/W-0	R/W-0	R/W-0	R/W-0	R/W-0	R/W-0	R/W-0	R/W-0	
X[23:16]								
bit 7								bit 0

Legend:

R = Readable bit W = Writable bit U = Unimplemented bit, read as '0'
 -n = Value at POR '1' = Bit is set '0' = Bit is cleared x = Bit is unknown

bit 15-0 **X[31:16]:** XOR of Polynomial Term x^n Enable bits

PIC24FJ256GA412/GB412 FAMILY

27.0 12-BIT A/D CONVERTER WITH THRESHOLD DETECT

Note: This data sheet summarizes the features of this group of PIC24F devices. It is not intended to be a comprehensive reference source. For more information on the 12-Bit A/D Converter, refer to the “dsPIC33/PIC24 Family Reference Manual”, “12-Bit A/D Converter with Threshold Detect” (www.microchip.com/DS39739). The information in this data sheet supersedes the information in the FRM.

The 12-bit A/D Converter has the following key features:

- Successive Approximation Register (SAR) Conversion
- Conversion Speeds of up to 200 ksp/s
- Up to 20 Analog Input Channels (internal and external)
- Selectable 10-Bit or 12-Bit (default) Conversion Resolution
- Multiple Internal Reference Input Channels
- External Voltage Reference Input Pins
- Unipolar Differential Sample-and-Hold (S/H) Amplifier
- Automated Threshold Scan and Compare Operation to Pre-Evaluate Conversion Results
- Selectable Conversion Trigger Source
- Fixed Length (one word per channel), Configurable Conversion Result Buffer
- Four Options for Results Alignment
- Configurable Interrupt Generation
- Enhanced DMA Operations with Indirect Address Generation
- Operation During CPU Sleep and Idle modes

The 12-bit A/D Converter module is an enhanced version of the 10-bit module offered in earlier PIC24 devices. It is a Successive Approximation Register (SAR) Converter, enhanced with 12-bit resolution, a wide range of automatic sampling options, tighter integration with other analog modules and a configurable results buffer.

It also includes a unique Threshold Detect feature that allows the module itself to make simple decisions based on the conversion results, and enhanced operation with the DMA Controller through Peripheral Indirect Addressing (PIA).

A simplified block diagram for the module is shown in [Figure 27-1](#).

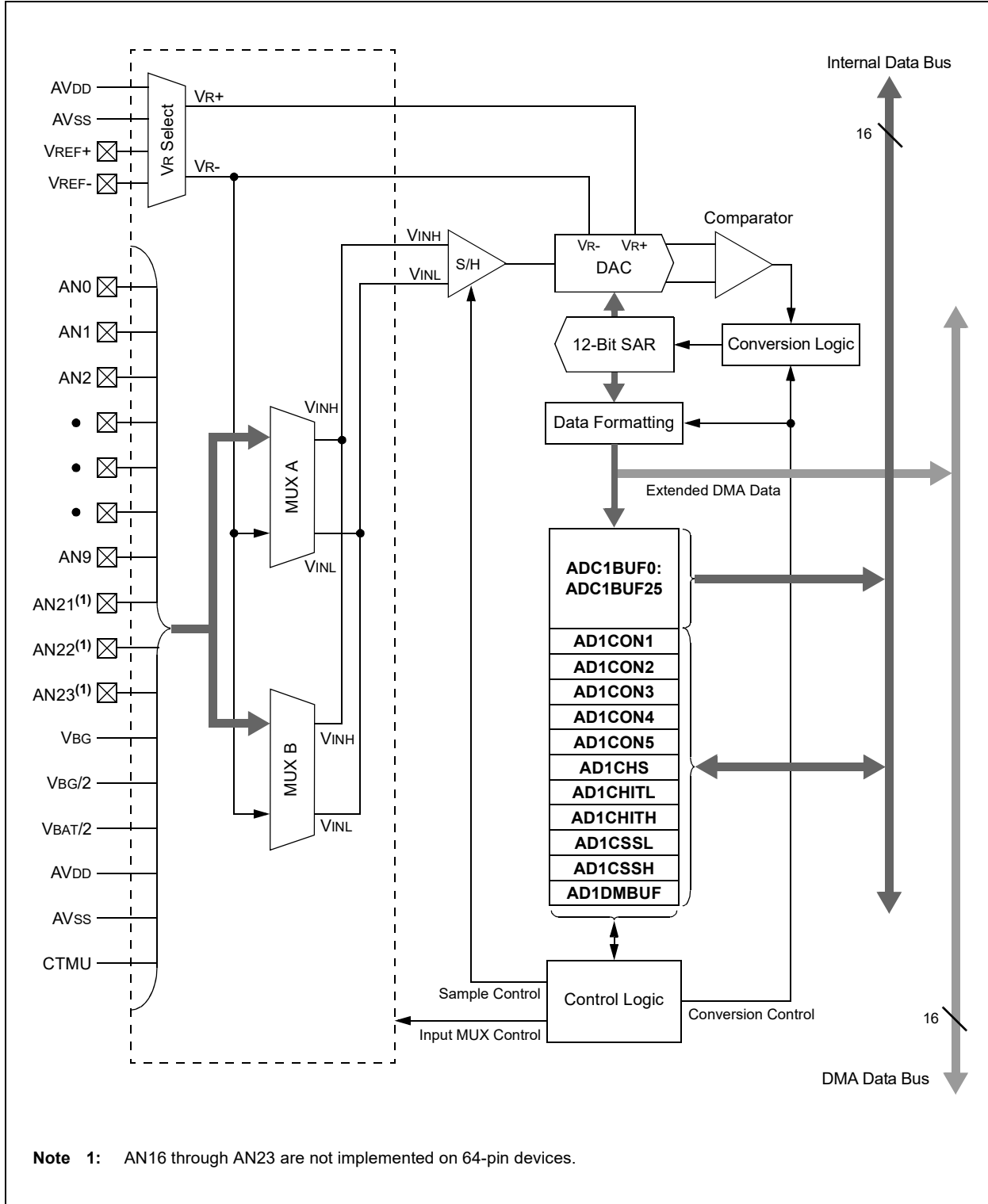
27.1 Basic Operation

To perform a standard A/D conversion:

1. Configure the module:
 - a) Configure port pins as analog inputs by setting the appropriate bits in the ANSx registers (see [Section 11.2 “Configuring Analog Port Pins \(ANSx\)”](#) for more information).
 - b) Select the voltage reference source to match the expected range on analog inputs (AD1CON2[15:13]).
 - c) Select the positive and negative multiplexer inputs for each channel (AD1CHS[15:0]).
 - d) Select the analog conversion clock to match the desired data rate with the processor clock (AD1CON3[7:0]).
 - e) Select the appropriate sample/conversion sequence (AD1CON1[7:4] and AD1CON3[12:8]).
 - f) For Channel A scanning operations, select the positive channels to be included (AD1CSSH and AD1CSSL registers).
 - g) Select how conversion results are presented in the buffer (AD1CON1[9:8] and AD1CON5 register).
 - h) Select the interrupt rate (AD1CON2[6:2]).
 - i) Turn on A/D module (AD1CON1[15]).
2. Configure the A/D interrupt (if required):
 - a) Clear the AD1IF bit (IFS0[13]).
 - b) Enable the AD1IE interrupt (IEC0[13]).
 - c) Select the A/D interrupt priority (IPC3[6:4]).
3. If the module is configured for manual sampling, set the SAMP bit (AD1CON1[1]) to begin sampling.

PIC24FJ256GA412/GB412 FAMILY

FIGURE 27-1: 12-BIT A/D CONVERTER BLOCK DIAGRAM (PIC24FJ256GA412/GB412 FAMILY)



PIC24FJ256GA412/GB412 FAMILY

27.2 Extended DMA Operations

In addition to the standard features available on all 12-bit A/D Converters, PIC24FJ256GA412/GB412 family devices implement a limited extension of DMA functionality. This extension adds features that work with the device's DMA Controller to expand the A/D module's data storage abilities beyond the module's built-in buffer.

The Extended DMA functionality is controlled by the DMAEN bit (AD1CON1[11]); setting this bit enables the functionality. The DMABM bit (AD1CON1[12]) configures how the DMA feature operates.

27.2.1 EXTENDED BUFFER MODE

Extended Buffer mode (DMABM = 1) is useful for storing the results of channels. It can also be used to store the conversion results on any A/D channel in any implemented address in data RAM.

In Extended Buffer mode, all data from the A/D Buffer register, and channels above 26, are mapped into data RAM. Conversion data are written to a destination specified by the DMA Controller, specifically by the DMADSTn register. This allows users to read the conversion results of channels above 26, which do not have their own memory-mapped A/D buffer locations, from data memory.

When using Extended Buffer mode, always set the BUFREGEN bit to disable FIFO operation. In addition, disable the Split Buffer mode by clearing the BUFM bit.

27.2.2 PIA MODE

When DMABM = 0, the A/D module is configured to function with the DMA Controller for Peripheral Indirect Addressing (PIA) mode operations. In this mode, the A/D module generates an 11-bit Indirect Address (IA). This is ORed with the destination address in the DMA Controller to define where the A/D conversion data will be stored.

In PIA mode, the buffer space is created as a series of contiguous smaller buffers, one per analog channel. The size of the channel buffer determines how many analog channels can be accommodated. The size of the buffer is selected by the DMABL[2:0] bits (AD1CON4[2:0]). The size options range from a single word per buffer to 128 words. Each channel is allocated a buffer of this size, regardless of whether or not the channel will actually have conversion data.

The IA is created by combining the base address within a channel buffer with three to five bits (depending on the buffer size) to identify the channel. The base address ranges from zero to seven bits wide, depending on the buffer size. The address is right-padded with a '0' in order to maintain address alignment in the Data Space. The concatenated channel and base address bits are then left-padded with zeros, as necessary, to complete the 11-bit IA.

The IA is configured to auto-increment during write operations by using the SMPix bits (AD1CON2[6:2]).

As with PIA operations for any DMA-enabled module, the base destination address in the DMADSTn register must be masked properly to accommodate the IA. Table 27-1 shows how complete addresses are formed. Note that the address masking varies for each buffer size option. Because of masking requirements, some address ranges may not be available for certain buffer sizes. Users should verify that the DMA base address is compatible with the buffer size selected.

Figure 27-2 shows how the parts of the address define the buffer locations in data memory. In this case, the module "allocates" 256 bytes of data RAM (1000h to 1100h) for 32 buffers of four words each. However, this is not a hard allocation and nothing prevents these locations from being used for other purposes. For example, in the current case, if Analog Channels 1, 3 and 8 are being sampled and converted, conversion data will only be written to the channel buffers, starting at 1008h, 1018h and 1040h. The holes in the PIA buffer space can be used for any other purpose. It is the user's responsibility to keep track of buffer locations and prevent data overwrites.

27.3 A/D Operation with VBAT

One of the A/D channels is connected to the VBAT pin to monitor the VBAT voltage. This allows monitoring the VBAT pin voltage (battery voltage) with no external connection. The voltage measured, using the A/D VBAT monitor, is $V_{BAT}/2$. The voltage can be calculated by reading $A/D = ((V_{BAT}/2)/V_{DD}) * 1024$ for 10-bit A/D and $((V_{BAT}/2)/V_{DD}) * 4096$ for 12 bit A/D.

When using the VBAT A/D monitor:

- Connect the A/D channel to ground to discharge the sample capacitor.
- Because of the high-impedance of VBAT, select higher sampling time to get an accurate reading.

Since the VBAT pin is connected to the A/D during sampling, to prolong the VBAT battery life, the recommendation is to only select the VBAT channel when needed.

PIC24FJ256GA412/GB412 FAMILY

FIGURE 27-2: EXAMPLE OF BUFFER ADDRESS GENERATION IN PIA MODE (4-WORD BUFFERS PER CHANNEL)

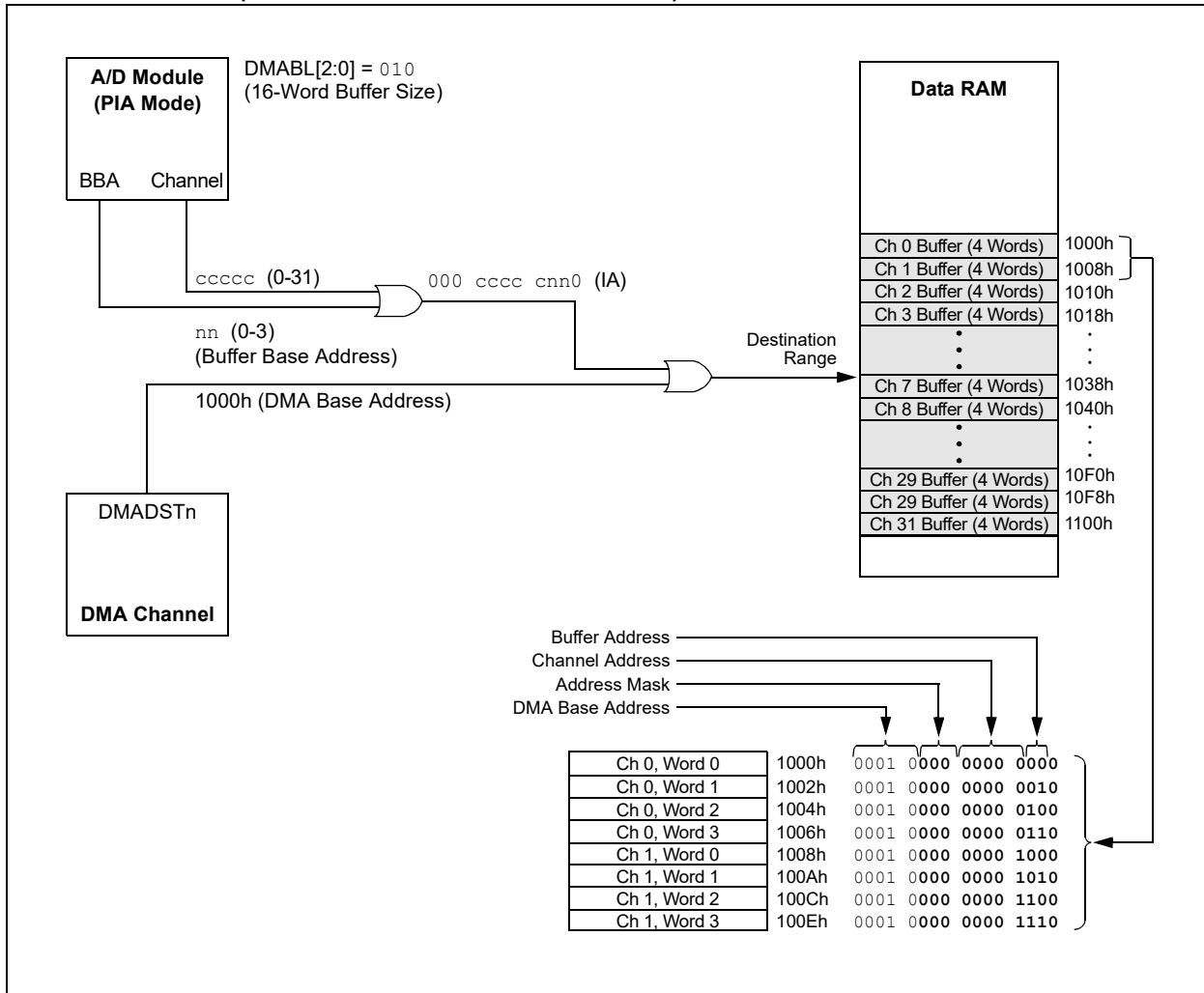


TABLE 27-1: INDIRECT ADDRESS GENERATION IN PIA MODE

DMABL[2:0]	Buffer Size per Channel (words)	Generated Offset Address (lower 11 bits)	Available Input Channels	Allowable DMADSTn Addresses
000	1	000 00cc ccc0	32	xxxx xxxx xx00 0000
001	2	000 0ccc ccn0	32	xxxx xxxx x000 0000
010	4	000 cccc cnn0	32	xxxx xxxx 0000 0000
011	8	00c cccc nnn0	32	xxxx xxx0 0000 0000
100	16	0cc ccnn nnn0	32	xxxx xx00 0000 0000
101	32	ccc ccnn nnn0	32	xxxx x000 0000 0000
110	64	ccc cnnn nnn0	16	xxxx x000 0000 0000
111	128	ccc nnnn nnn0	8	xxxx x000 0000 0000

Legend: ccc = Channel number (three to five bits), n = Base buffer address (zero to seven bits),
 x = User-definable range of DMADSTn for base address, 0 = Masked bits of DMADSTn for IA.

PIC24FJ256GA412/GB412 FAMILY

27.4 Registers

The 12-bit A/D Converter is controlled through a total of 13 registers:

- AD1CON1 through AD1CON5 (Register 27-1 through Register 27-5)
- AD1CHS (Register 27-6)
- AD1CHITH and AD1CHITL (Register 27-8 and Register 27-9)

- AD1CSSH and AD1CSSL (Register 27-10 and Register 27-11)
- AD1CTMENH and AD1CTMENL (Register 27-12 and Register 27-13)
- AD1DMBUF (not shown) – The 16-bit conversion buffer for Extended Buffer mode

In addition, the ANCFG register (Register 27-7) controls the band gap voltage resources for the A/D Converter, as well as other modules.

REGISTER 27-1: AD1CON1: A/D CONTROL REGISTER 1

R/W-0	U-0	R/W-0	R/W-0	R/W-0	R/W-0	R/W-0	R/W-0
ADON	—	ADSIDL	DMABM ⁽¹⁾	DMAEN	MODE12	FORM1	FORM0
bit 15							bit 8

R/W-0	R/W-0	R/W-0	R/W-0	U-0	R/W-0	HSC/R/W-0	HSC/R/C-0
SSRC3	SSRC2	SSRC1	SSRC0	—	ASAM	SAMP	DONE
bit 7							bit 0

Legend:	C = Clearable bit	U = Unimplemented bit, read as '0'
R = Readable bit	W = Writable bit	HSC = Hardware Settable/Clearable bit
-n = Value at POR	'1' = Bit is set	'0' = Bit is cleared
		x = Bit is unknown

- bit 15 **ADON:** A/D Operating Mode bit
 1 = A/D Converter module is operating
 0 = A/D Converter is off
- bit 14 **Unimplemented:** Read as '0'
- bit 13 **ADSIDL:** A/D Stop in Idle Mode bit
 1 = Discontinues module operation when device enters Idle mode
 0 = Continues module operation in Idle mode
- bit 12 **DMABM:** Extended DMA Buffer Mode Select bit⁽¹⁾
 1 = Extended Buffer mode: Buffer address is defined by the DMADSTn register
 0 = PIA mode: Buffer addresses are defined by the DMA Controller and AD1CON4[2:0]
- bit 11 **DMAEN:** Extended DMA/Buffer Enable bit
 1 = Extended DMA and buffer features are enabled
 0 = Extended features are disabled
- bit 10 **MODE12:** 12-Bit Operation Mode bit
 1 = 12-bit A/D operation
 0 = 10-bit A/D operation
- bit 9-8 **FORM[1:0]:** Data Output Format bits
 11 = Fractional result, signed, left justified
 10 = Absolute fractional result, unsigned, left justified
 01 = Decimal result, signed, right justified
 00 = Absolute decimal result, unsigned, right justified

Note 1: This bit is only available when Extended DMA/Buffer features are available (DMAEN = 1).

PIC24FJ256GA412/GB412 FAMILY

REGISTER 27-1: AD1CON1: A/D CONTROL REGISTER 1 (CONTINUED)

- bit 7-4 **SSRC[3:0]**: Sample Clock Source Select bits
1xxx = Unimplemented, do not use
0111 = Internal counter ends sampling and starts conversion (auto-convert); do not use in Auto-Scan mode
0110 = Timer1 (also triggers in Sleep mode)
0101 = Timer1 (does not trigger in Sleep mode)
0100 = CTMU
0011 = Timer5
0010 = Timer3
0001 = INT0
0000 = The SAMP bit must be cleared by software to start conversion
- bit 3 **Unimplemented**: Read as '0'
- bit 2 **ASAM**: A/D Sample Auto-Start bit
1 = Sampling begins immediately after the last conversion; SAMP bit is auto-set
0 = Sampling begins when SAMP bit is manually set
- bit 1 **SAMP**: A/D Sample Enable bit
1 = A/D Sample-and-Hold amplifiers are sampling
0 = A/D Sample-and-Hold amplifiers are holding
- bit 0 **DONE**: A/D Conversion Status bit
1 = A/D conversion cycle has completed
0 = A/D conversion cycle has not started or is in progress

Note 1: This bit is only available when Extended DMA/Buffer features are available (DMAEN = 1).

PIC24FJ256GA412/GB412 FAMILY

REGISTER 27-2: AD1CON2: A/D CONTROL REGISTER 2

R/W-0	R/W-0	R/W-0	r-0	R/W-0	R/W-0	U-0	U-0
PVCFG1	PVCFG0	NVCFG0	—	BUFREGEN	CSCNA	—	—
bit 15						bit 8	

R/W-0	R/W-0	R/W-0	R/W-0	R/W-0	R/W-0	R/W-0	R/W-0
BUFS ⁽¹⁾	SMPI4	SMPI3	SMPI2	SMPI1	SMPI0	BUFM ⁽¹⁾	ALTS
bit 7						bit 0	

Legend:	r = Reserved bit		
R = Readable bit	W = Writable bit	U = Unimplemented bit, read as '0'	
-n = Value at POR	'1' = Bit is set	'0' = Bit is cleared	x = Bit is unknown

bit 15-14 **PVCFG[1:0]:** A/D Converter Positive Voltage Reference Configuration bits

1x = Unimplemented, do not use
 01 = External VREF+
 00 = AVDD

bit 13 **NVCFG0:** A/D Converter Negative Voltage Reference Configuration bit

1 = External VREF-
 0 = AVSS

bit 12 **Reserved:** Maintain as '0'

bit 11 **BUFREGEN:** A/D Buffer Register Enable bit

1 = Conversion result is loaded into the buffer location determined by the converted channel
 0 = A/D result buffer is treated as a FIFO

bit 10 **CSCNA:** Scan Input Selections for CH0+ During Sample A bit

1 = Scans inputs
 0 = Does not scan inputs

bit 9-8 **Unimplemented:** Read as '0'

bit 7 **BUFS:** Buffer Fill Status bit⁽¹⁾

1 = A/D is currently filling ADC1BUF13-ADC1BUF25, user should access data in ADC1BUF0-ADC1BUF12
 0 = A/D is currently filling ADC1BUF0-ADC1BUF12, user should access data in ADC1BUF13-ADC1BUF25

bit 6-2 **SMPI[4:0]:** Interrupt Sample/DMA Increment Rate Select bits

When DMAEN = 1:

11111 = Increments the DMA address after completion of the 32nd sample/conversion operation

11110 = Increments the DMA address after completion of the 31st sample/conversion operation

•••

00001 = Increments the DMA address after completion of the 2nd sample/conversion operation

00000 = Increments the DMA address after completion of each sample/conversion operation

When DMAEN = 0:

11111 = Interrupts at the completion of the conversion for each 32nd sample

11110 = Interrupts at the completion of the conversion for each 31st sample

•••

00001 = Interrupts at the completion of the conversion for every other sample

00000 = Interrupts at the completion of the conversion for each sample

Note 1: These bits are only applicable when the buffer is used in FIFO mode (BUFREGEN = 0). In addition, BUFS is only used when BUFM = 1.

PIC24FJ256GA412/GB412 FAMILY

REGISTER 27-2: AD1CON2: A/D CONTROL REGISTER 2 (CONTINUED)

- bit 1 **BUF_M**: Buffer Fill Mode Select bit⁽¹⁾
 1 = Starts buffer filling at ADC1BUF0 on first interrupt and ADC1BUF13 on next interrupt
 0 = Always starts filling buffer at ADC1BUF0
- bit 0 **AL_TS**: Alternate Input Sample Mode Select bit
 1 = Uses channel input selects for Sample A on first sample and Sample B on next sample
 0 = Always uses channel input selects for Sample A

Note 1: These bits are only applicable when the buffer is used in FIFO mode (BUFREGEN = 0). In addition, BUF_S is only used when BUF_M = 1.

REGISTER 27-3: AD1CON3: A/D CONTROL REGISTER 3

R/W-0	R-0	R/W-0	R/W-0	R/W-0	R/W-0	R/W-0	R/W-0
ADRC	EXTSAM	PUMPEN	SAMC4	SAMC3	SAMC2	SAMC1	SAMC0
bit 15							bit 8

R/W-0	R/W-0	R/W-0	R/W-0	R/W-0	R/W-0	R/W-0	R/W-0
ADCS[7:0]							
bit 7							bit 0

Legend:

R = Readable bit	W = Writable bit	U = Unimplemented bit, read as '0'
-n = Value at POR	'1' = Bit is set	'0' = Bit is cleared x = Bit is unknown

- bit 15 **ADRC**: A/D Conversion Clock Source bit
 1 = RC clock
 0 = Clock derived from system clock
- bit 14 **EXTSAM**: Extended Sampling Time bit
 1 = A/D is still sampling after SAMP = 0
 0 = A/D is finished sampling
- bit 13 **PUMPEN**: Charge Pump Enable bit
 1 = Charge pump for switches is enabled
 0 = Charge pump for switches is disabled
- bit 12-8 **SAMC[4:0]**: Auto-Sample Time Select bits
 11111 = 31 TAD
 •••
 00001 = 1 TAD
 00000 = 0 TAD
- bit 7-0 **ADCS[7:0]**: A/D Conversion Clock Select bits
 11111111 = 256 • TCY = TAD
 •••
 00000001 = 2 • TCY = TAD
 00000000 = TCY = TAD

PIC24FJ256GA412/GB412 FAMILY

REGISTER 27-4: AD1CON4: A/D CONTROL REGISTER 4

U-0	U-0	U-0	U-0	U-0	U-0	U-0	U-0
—	—	—	—	—	—	—	—
bit 15							bit 8

U-0	U-0	U-0	U-0	U-0	R/W-0	R/W-0	R/W-0
—	—	—	—	—	DMABL[2:0] ⁽¹⁾		
bit 7					bit 0		

Legend:

R = Readable bit

W = Writable bit

U = Unimplemented bit, read as '0'

-n = Value at POR

'1' = Bit is set

'0' = Bit is cleared

x = Bit is unknown

bit 15-3 **Unimplemented:** Read as '0'

bit 2-0 **DMABL[2:0]:** DMA Buffer Size Select bits⁽¹⁾

111 = Allocates 128 words of buffer to each analog input

110 = Allocates 64 words of buffer to each analog input

101 = Allocates 32 words of buffer to each analog input

100 = Allocates 16 words of buffer to each analog input

011 = Allocates 8 words of buffer to each analog input

010 = Allocates 4 words of buffer to each analog input

001 = Allocates 2 words of buffer to each analog input

000 = Allocates 1 word of buffer to each analog input

Note 1: The DMABL[2:0] bits are only used when AD1CON1[11] = 1 and AD1CON1[12] = 0; otherwise, their value is ignored.

PIC24FJ256GA412/GB412 FAMILY

REGISTER 27-5: AD1CON5: A/D CONTROL REGISTER 5

R/W-0	R/W-0	R/W-0	R/W-0	U-0	U-0	R/W-0	R/W-0
ASEN	LPEN	CTMREQ	BGREQ	—	—	ASINT1	ASINT0
bit 15						bit 8	

U-0	U-0	U-0	U-0	R/W-0	R/W-0	R/W-0	R/W-0
—	—	—	—	WM1	WM0	CM1	CM0
bit 7						bit 0	

Legend:

R = Readable bit	W = Writable bit	U = Unimplemented bit, read as '0'
-n = Value at POR	'1' = Bit is set	'0' = Bit is cleared
		x = Bit is unknown

- bit 15 **ASEN:** Auto-Scan Enable bit
 1 = Auto-scan is enabled
 0 = Auto-scan is disabled
- bit 14 **LPEN:** Low-Power Enable bit
 1 = Low power is enabled after scan
 0 = Full power is enabled after scan
- bit 13 **CTMREQ:** CTMU Request bit
 1 = CTMU is enabled when the A/D is enabled and active
 0 = CTMU is not enabled by the A/D
- bit 12 **BGREQ:** Band Gap Request bit
 1 = Band gap is enabled when the A/D is enabled and active
 0 = Band gap is not enabled by the A/D
- bit 11-10 **Unimplemented:** Read as '0'
- bit 9-8 **ASINT[1:0]:** Auto-Scan (Threshold Detect) Interrupt Mode bits
 11 = Interrupt after Threshold Detect sequence has completed and valid compare has occurred
 10 = Interrupt after valid compare has occurred
 01 = Interrupt after Threshold Detect sequence has completed
 00 = No interrupt
- bit 7-4 **Unimplemented:** Read as '0'
- bit 3-2 **WM[1:0]:** Write Mode bits
 11 = Reserved
 10 = Auto-compare only (conversion results are not saved, but interrupts are generated when a valid match occurs, as defined by the CMx and ASINTx bits)
 01 = Convert and save (conversion results are saved to locations as determined by the register bits when a match occurs, as defined by the CMx bits)
 00 = Legacy operation (conversion data are saved to a location determined by the buffer register bits)
- bit 1-0 **CM[1:0]:** Compare Mode bits
 11 = Outside Window mode (valid match occurs if the conversion result is outside of the window defined by the corresponding buffer pair)
 10 = Inside Window mode (valid match occurs if the conversion result is inside the window defined by the corresponding buffer pair)
 01 = Greater Than mode (valid match occurs if the result is greater than the value in the corresponding buffer register)
 00 = Less Than mode (valid match occurs if the result is less than the value in the corresponding buffer register)

PIC24FJ256GA412/GB412 FAMILY

REGISTER 27-6: AD1CHS: A/D SAMPLE SELECT REGISTER

R/W-0	R/W-0	R/W-0	R/W-0	R/W-0	R/W-0	R/W-0	R/W-0
CH0NB2	CH0NB1	CH0NB0	CH0SB4	CH0SB3	CH0SB2	CH0SB1	CH0SB0
bit 15							bit 8

R/W-0	R/W-0	R/W-0	R/W-0	R/W-0	R/W-0	R/W-0	R/W-0
CH0NA2	CH0NA1	CH0NA0	CH0SA4	CH0SA3	CH0SA2	CH0SA1	CH0SA0
bit 7							bit 0

Legend:

R = Readable bit W = Writable bit U = Unimplemented bit, read as '0'
 -n = Value at POR '1' = Bit is set '0' = Bit is cleared x = Bit is unknown

bit 15-13 **CH0NB[2:0]:** Sample B Channel 0 Negative Input Select bits

1xx = Unimplemented
 011 = Unimplemented
 010 = AN1
 001 = Unimplemented
 000 = VREF-/AVSS

bit 12-8 **CH0SB[4:0]:** Sample B Channel 0 Positive Input Select bits

See [Table 27-2](#) for available options.

bit 7-5 **CH0NA[2:0]:** Sample A Channel 0 Negative Input Select bits

Same definitions as for CH0NB[2:0].

bit 4-0 **CH0SA[4:0]:** Sample A Channel 0 Positive Input Select bits

Same definitions as for CH0SB[4:0].

TABLE 27-2: POSITIVE CHANNEL SELECT OPTIONS (CHOSA[4:0] OR CHOSB[4:0])

CHOSA[4:0] or CHOSB[4:0]	Analog Channel	CHOSA[4:0] or CHOSB[4:0]	Analog Channel
11111	V _{BAT} /2 ⁽¹⁾	01111	AN15
11110	AV _{DD} ⁽¹⁾	01110	AN14
11101	AV _{SS} ⁽¹⁾	01101	AN13
11100	V _{BG} ⁽¹⁾	01100	AN12
11011	Reserved	01011	AN11
11010	Reserved	01010	AN10
11001	CTMU	01001	AN9
11000	CTMU Temperature Sensor ⁽²⁾	01000	AN8
10111	AN23 ⁽³⁾	00111	AN7
10110	AN22 ⁽³⁾	00110	AN6
10101	AN21 ⁽³⁾	00101	AN5
10100	AN20 ⁽³⁾	00100	AN4
10011	AN19 ⁽³⁾	00011	AN3
10010	AN18 ⁽³⁾	00010	AN2
10001	AN17 ⁽³⁾	00001	AN1
10000	AN16 ⁽³⁾	00000	AN0

Note 1: These input channels do not have corresponding memory-mapped result buffers.

2: Temperature sensor does not require AD1CTMENL[13] to be set.

3: These channels are not implemented in 64-pin devices.

PIC24FJ256GA412/GB412 FAMILY

REGISTER 27-7: ANCFG: A/D BAND GAP REFERENCE CONFIGURATION⁽¹⁾

U-0	U-0	U-0	U-0	U-0	U-0	U-0	U-0
—	—	—	—	—	—	—	—
bit 15							bit 8

U-0	U-0	R/W-0	R/W-0	R/W-0	R/W-0	R/W-0	R/W-0
—	—	VBG6USB	VBG2CMP	VBGDAC	VBGAN	VBGADC	VBGEN
bit 7							bit 0

Legend:

R = Readable bit

W = Writable bit

U = Unimplemented bit, read as '0'

-n = Value at POR

'1' = Bit is set

'0' = Bit is cleared

x = Bit is unknown

bit 15-6 **Unimplemented:** Read as '0'

bit 5 **VBG6USB:** USB OTG VBG/6 Input Enable bit

1 = Band gap voltage, divided by six reference (VBG/6), is enabled

0 = Band gap voltage, divided by six reference (VBG/6), is disabled

bit 4 **VBG2CMP:** Comparator VBG/2 Input Enable bit

1 = Band gap voltage, divided by two reference (VBG/2), is enabled

0 = Band gap voltage, divided by two reference (VBG/2), is disabled

bit 3 **VBGDAC:** DAC Input Band Gap Reference Enable bit

1 = Band gap voltage reference (VBG) is enabled

0 = Band gap voltage reference (VBG) is disabled

bit 2 **VBGAN:** Analog Module VBG Input Enable bit

1 = Band gap voltage reference (VBG) is enabled

0 = Band gap voltage reference (VBG) is disabled

bit 1 **VBGADC:** A/D Input VBG Enable bit

1 = Band gap voltage reference (VBG) is enabled

0 = Band gap voltage reference (VBG) is disabled

bit 0 **VBGEN:** General Resource VBG Enable bit

1 = Band gap voltage reference (VBG) is enabled

0 = Band gap voltage reference (VBG) is disabled

Note 1: Band gap references are automatically enabled when their consumer modules request these resources, and disabled when the modules are disabled or do not require them. The individual control bits permit manual control of the band gap references. The state of the bits does not necessarily reflect the status of the associated reference and should not be used as a status flag.

PIC24FJ256GA412/GB412 FAMILY

REGISTER 27-8: AD1CHITH: A/D SCAN COMPARE HIT REGISTER (HIGH WORD)

U-0	U-0	U-0	U-0	U-0	U-0	R/W-0	R/W-0
—	—	—	—	—	—	CHH[25:24] ⁽¹⁾	
bit 15						bit 8	

R/W-0	R/W-0	R/W-0	R/W-0	R/W-0	R/W-0	R/W-0	R/W-0
CHH[23:16] ⁽¹⁾							
bit 7						bit 0	

Legend:

R = Readable bit W = Writable bit U = Unimplemented bit, read as '0'
 -n = Value at POR '1' = Bit is set '0' = Bit is cleared x = Bit is unknown

bit 15-10 **Unimplemented:** Read as '0'

bit 9-0 **CHH[25:16]:** A/D Compare Hit bits⁽¹⁾

If CM[1:0] = 11:

1 = A/D Result Buffer n has been written with data or a match has occurred

0 = A/D Result Buffer n has not been written with data

For All Other Values of CM[1:0]:

1 = A match has occurred on A/D Result Channel n

0 = No match has occurred on A/D Result Channel n

Note 1: These bits are unimplemented in 64-pin devices, read as '0'.

REGISTER 27-9: AD1CHITL: A/D SCAN COMPARE HIT REGISTER (LOW WORD)

R/W-0	R/W-0	R/W-0	R/W-0	R/W-0	R/W-0	R/W-0	R/W-0
CHH[15:8]							
bit 15						bit 8	

R/W-0	R/W-0	R/W-0	R/W-0	R/W-0	R/W-0	R/W-0	R/W-0
CHH[7:0]							
bit 7						bit 0	

Legend:

R = Readable bit W = Writable bit U = Unimplemented bit, read as '0'
 -n = Value at POR '1' = Bit is set '0' = Bit is cleared x = Bit is unknown

bit 15-0 **CHH[15:0]:** A/D Compare Hit bits

If CM[1:0] = 11:

1 = A/D Result Buffer n has been written with data or a match has occurred

0 = A/D Result Buffer n has not been written with data

For All Other Values of CM[1:0]:

1 = A match has occurred on A/D Result Channel n

0 = No match has occurred on A/D Result Channel n

PIC24FJ256GA412/GB412 FAMILY

REGISTER 27-10: AD1CSSH: A/D INPUT SCAN SELECT REGISTER (HIGH WORD)

R/W-0	R/W-0	R/W-0	R/W-0	U-0	U-0	R/W-0	R/W-0
CSS[31:28]				—	—	CSS[25:24]	
bit 15							bit 8

R/W-0	R/W-0	R/W-0	R/W-0	R/W-0	R/W-0	R/W-0	R/W-0
CSS[23:16] ⁽¹⁾							
bit 7							bit 0

Legend:

R = Readable bit W = Writable bit U = Unimplemented bit, read as '0'
 -n = Value at POR '1' = Bit is set '0' = Bit is cleared x = Bit is unknown

- bit 15-12 **CSS[31:28]:** A/D Input Scan Selection bits
 1 = Includes corresponding internal channel for input scan
 0 = Skips channel for input scan
- bit 11-10 **Unimplemented:** Read as '0'
- bit 9-8 **CSS[25:24]:** A/D Input Scan Selection bits
 1 = Includes corresponding internal channel for input scan
 0 = Skips channel for input scan
- bit 7-0 **CSS[23:16]:** A/D Input Scan Selection bits⁽¹⁾
 1 = Includes corresponding A/D channel for input scan
 0 = Skips channel for input scan
- bit 10-0 **Unimplemented:** Read as '0'

Note 1: These bits are unimplemented in 64-pin devices, read as '0'.

REGISTER 27-11: AD1CSSL: A/D INPUT SCAN SELECT REGISTER (LOW WORD)

R/W-0	R/W-0	R/W-0	R/W-0	R/W-0	R/W-0	R/W-0	R/W-0
CSS[15:8]							
bit 15							bit 8

R/W-0	R/W-0	R/W-0	R/W-0	R/W-0	R/W-0	R/W-0	R/W-0
CSS[7:0]							
bit 7							bit 0

Legend:

R = Readable bit W = Writable bit U = Unimplemented bit, read as '0'
 -n = Value at POR '1' = Bit is set '0' = Bit is cleared x = Bit is unknown

- bit 15-0 **CSS[15:0]:** A/D Input Scan Selection bits
 1 = Includes corresponding A/D channel for input scan
 0 = Skips channel for input scan

PIC24FJ256GA412/GB412 FAMILY

REGISTER 27-12: AD1CTMENH: A/D CTMU ENABLE REGISTER (HIGH WORD)

R/W-0	R/W-0	R/W-0	R/W-0	U-0	U-0	R/W-0	R/W-0
CTMEN[31:28]				—	—	CTMEN[25:24]	
bit 15				bit 8			

R/W-0	R/W-0	R/W-0	R/W-0	R/W-0	R/W-0	R/W-0	R/W-0
CTMEN[23:16] ⁽¹⁾							
bit 7				bit 0			

Legend:

R = Readable bit W = Writable bit U = Unimplemented bit, read as '0'
 -n = Value at POR '1' = Bit is set '0' = Bit is cleared x = Bit is unknown

- bit 15-12 **CTMEN[31:28]:** CTMU Enabled During Conversion bits
 1 = CTMU is enabled and connected to the selected internal channel during conversion
 0 = CTMU is not connected to this channel
- bit 11-10 **Unimplemented:** Read as '0'
- bit 9-8 **CTMEN[25:24]:** CTMU Enabled During Conversion bits
 1 = CTMU is enabled and connected to the selected internal channel during conversion
 0 = CTMU is not connected to this channel
- bit 7-0 **CTMEN[23:16]:** CTMU Enabled During Conversion bits⁽¹⁾
 1 = CTMU is enabled and connected to the selected A/D channel during conversion
 0 = CTMU is not connected to this channel

Note 1: These bits are unimplemented in 64-pin devices, read as '0'.

REGISTER 27-13: AD1CTMENL: A/D CTMU ENABLE REGISTER (LOW WORD)

R/W-0	R/W-0	R/W-0	R/W-0	R/W-0	R/W-0	R/W-0	R/W-0
CTMEN[15:8]							
bit 15				bit 8			

R/W-0	R/W-0	R/W-0	R/W-0	R/W-0	R/W-0	R/W-0	R/W-0
CTMEN[7:0]							
bit 7				bit 0			

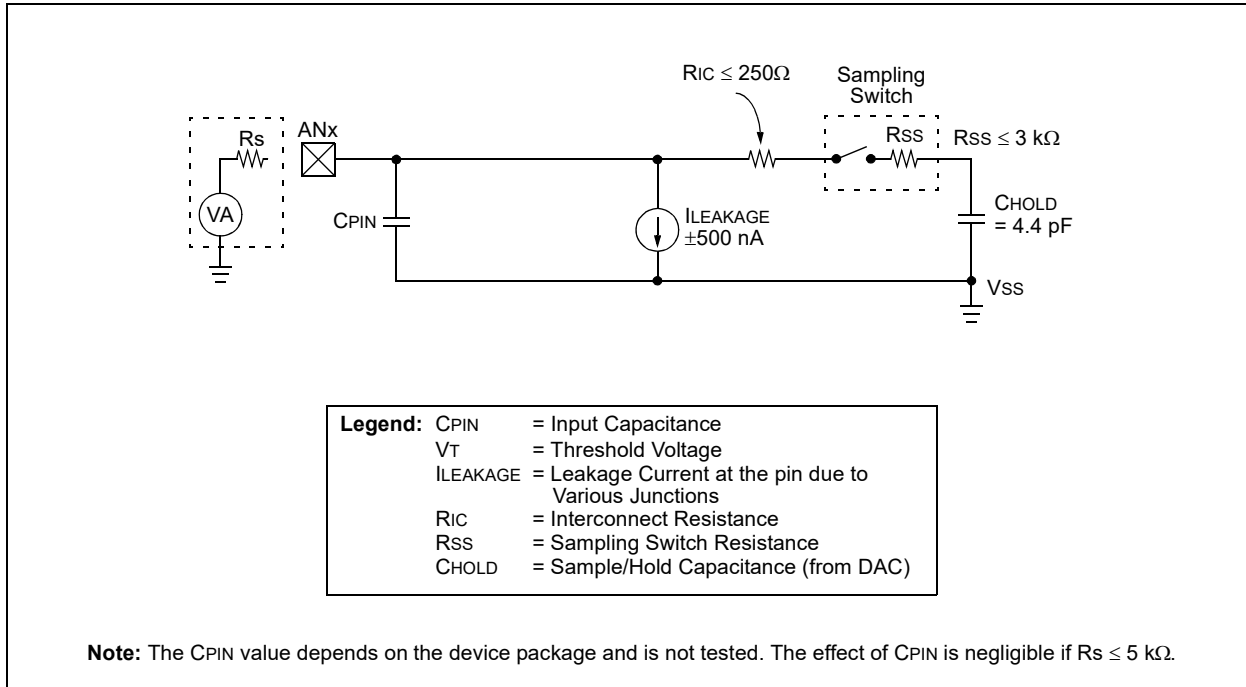
Legend:

R = Readable bit W = Writable bit U = Unimplemented bit, read as '0'
 -n = Value at POR '1' = Bit is set '0' = Bit is cleared x = Bit is unknown

- bit 15-0 **CTMEN[15:0]:** CTMU Enabled During Conversion bits
 1 = CTMU is enabled and connected to the selected A/D channel during conversion
 0 = CTMU is not connected to this channel

PIC24FJ256GA412/GB412 FAMILY

FIGURE 27-3: 10-BIT A/D CONVERTER ANALOG INPUT MODEL



EQUATION 27-1: A/D CONVERSION CLOCK PERIOD

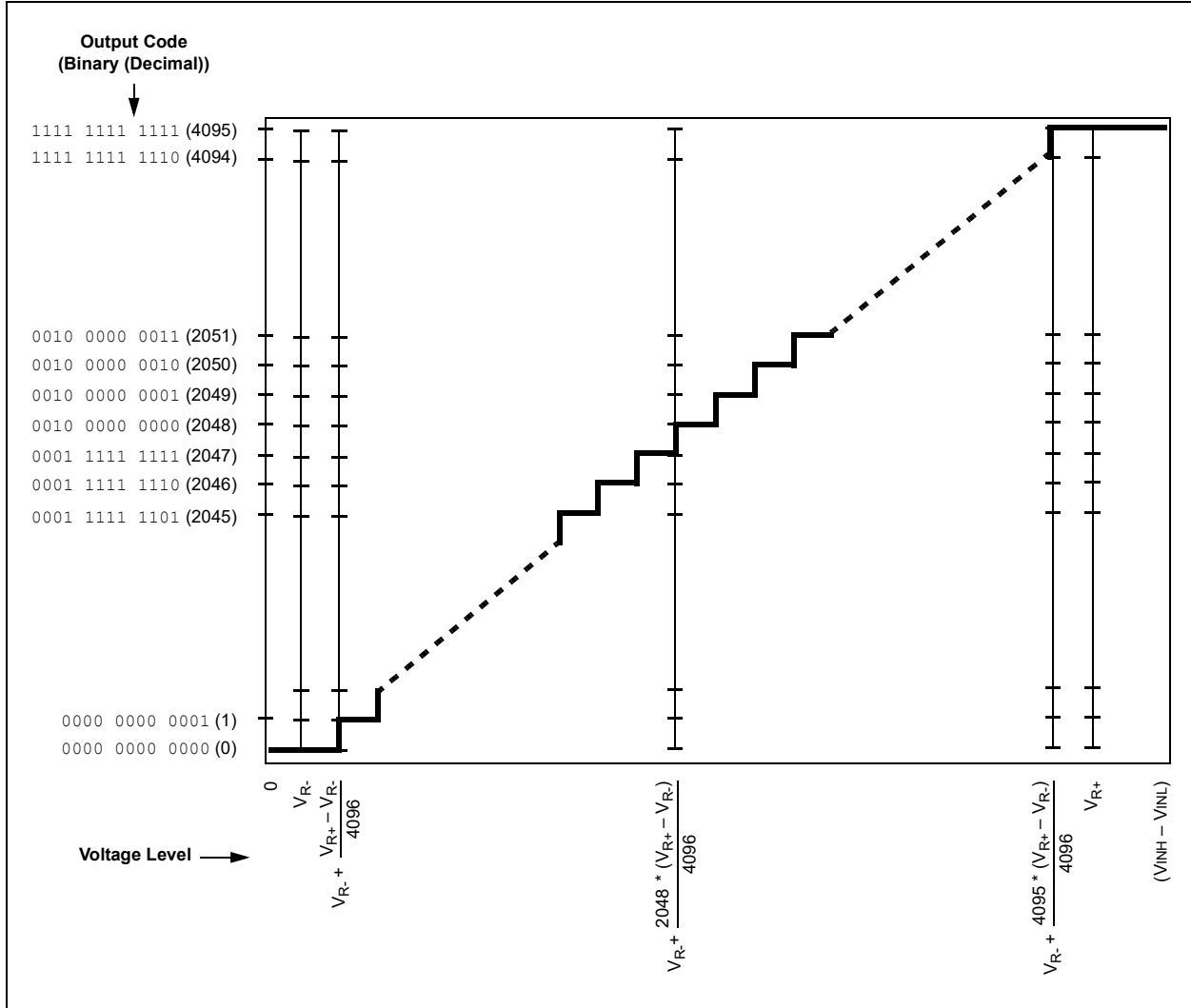
$$T_{AD} = T_{CY} (ADCS + 1)$$

$$ADCS = \frac{T_{AD}}{T_{CY}} - 1$$

Note: Based on $T_{CY} = 2/F_{OSC}$; Doze mode and PLL are disabled.

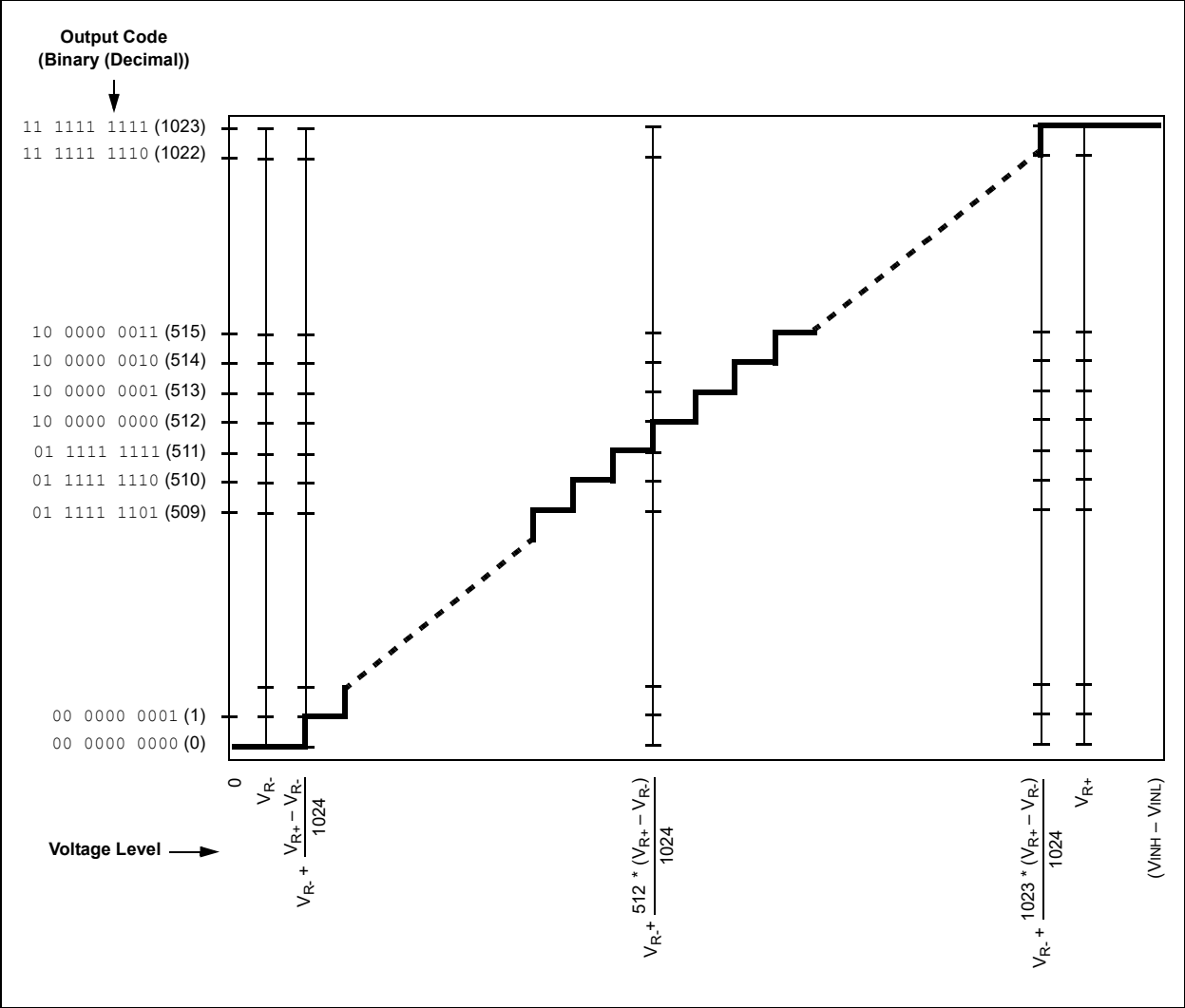
PIC24FJ256GA412/GB412 FAMILY

FIGURE 27-4: 12-BIT A/D TRANSFER FUNCTION



PIC24FJ256GA412/GB412 FAMILY

FIGURE 27-5: 10-BIT A/D TRANSFER FUNCTION



PIC24FJ256GA412/GB412 FAMILY

28.0 10-BIT DIGITAL-TO-ANALOG CONVERTER (DAC)

Note: This data sheet summarizes the features of this group of PIC24F devices. It is not intended to be a comprehensive reference source. For more information, refer to the “*dsPIC33/PIC24 Family Reference Manual*”, “**10-Bit Digital-to-Analog Converter (DAC)**” (www.microchip.comDS39615). The information in this data sheet supersedes the information in the FRM.

PIC24FJ256GA412/GB412 family devices include 10-bit Digital-to-Analog Converters (DACs) for generating analog outputs from digital data. A simplified block diagram for a the DAC is shown in [Figure 28-1](#).

The DAC generates an analog output voltage based on the digital input code, according to the formula:

$$V_{DAC} = \frac{V_{DACREF} \times DACxDAT}{1024}$$

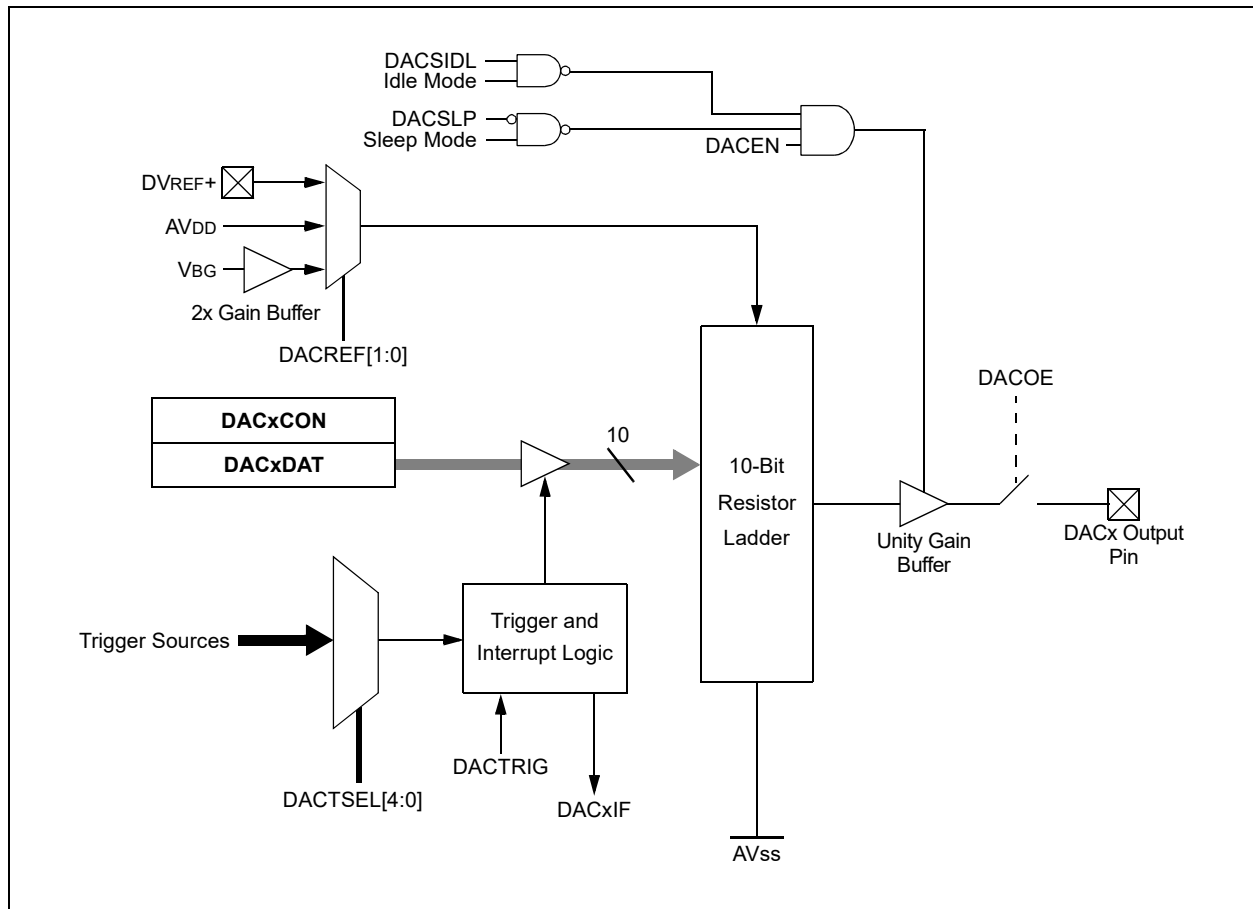
where V_{DAC} is the analog output voltage and V_{DACREF} is the reference voltage selected by $DACREF[1:0]$.

The DAC includes these features:

- Precision 10-Bit Resistor Ladder for High Accuracy
- Fast Settling Time, Supporting 1 Msps Effective Sampling Rates
- Buffered Output Voltage
- Three User-Selectable Voltage Reference Options
- Multiple Conversion Trigger Options, Plus a Manual Convert-on-Write Option
- Left and Right Justified Input Data Options
- User-Selectable Sleep and Idle mode Operation

When using the DAC, it is required to set the $ANSx$ and $TRISx$ bits for the $DACx$ output pin to configure it as an analog output. See [Section 11.2 “Configuring Analog Port Pins \(\$ANSx\$ \)”](#) for more information.

FIGURE 28-1: DAC SIMPLIFIED BLOCK DIAGRAM



PIC24FJ256GA412/GB412 FAMILY

REGISTER 28-1: DACxCON: DACx CONTROL REGISTER

R/W-0	U-0	R/W-0	R/W-0	R/W-0	U-0	U-0	R/W-0
DACEN	—	DACSIDL	DACSLP	DACFM	—	—	DACTRIG
bit 15							bit 8

R/W-0	R/W-0	R/W-0	R/W-0	R/W-0	R/W-0	R/W-0	R/W-0
DACOE	DACTSEL4	DACTSEL3	DACTSEL2	DACTSEL1	DACTSEL0	DACREF1	DACREF0
bit 7							bit 0

Legend:

R = Readable bit	W = Writable bit	U = Unimplemented bit, read as '0'
-n = Value at POR	'1' = Bit is set	'0' = Bit is cleared x = Bit is unknown

- bit 15 **DACEN:** DAC Enable bit
1 = Module is enabled
0 = Module is disabled
- bit 14 **Unimplemented:** Read as '0'
- bit 13 **DACSIDL:** DAC Peripheral Stop in Idle Mode bit
1 = Discontinues module operation when device enters Idle mode
0 = Continues module operation in Idle mode
- bit 12 **DACSLP:** DAC Enable Peripheral During Sleep bit
1 = DAC continues to output the most recent value of DACxDAT during Sleep mode
0 = DAC is powered down in Sleep mode; DACx output pin is controlled by the TRISx and LATx bits
- bit 11 **DACFM:** DAC Data Format Select bit
1 = Data are left justified (data stored in DACxDAT[15:6])
0 = Data are right justified (data stored in DACxDAT[9:0])
- bit 10-9 **Unimplemented:** Read as '0'
- bit 8 **DACTRIG:** DAC Trigger Input Enable bit
1 = Analog output value updates when the event selected by DACTSEL[4:0] occurs
0 = Analog output value updates as soon as DACxDAT is written (DAC trigger is ignored)
- bit 7 **DACOE:** DAC Output Enable bit
1 = Analog output voltage is driven to the DAC pin
0 = Analog output voltage is not available at pin (voltage at pin floats)

Note 1: The internal band gap reference is automatically enabled whenever the DAC is enabled.

PIC24FJ256GA412/GB412 FAMILY

REGISTER 28-1: DACxCON: DACx CONTROL REGISTER (CONTINUED)

bit 6-2 **DACTSEL[4:0]:** DAC Trigger Source Select bits

11111
... = Unimplemented
10010
10001 = External Interrupt 1 (INT1)
10000 = SCCP7
01111 = SCCP6
01110 = SCCP5
01101 = SCCP4
01100 = SCCP3
01011 = SCCP2
01010 = MCCP1
01001 = Unimplemented
01000 = Timer5 match
00111 = Timer4 match
00110 = Timer3 match
00101 = Timer2 match
00100 = Timer1 match
00011 = A/D conversion done
00010 = Comparator 3 trigger
00001 = Comparator 2 trigger
00000 = Comparator 1 trigger

bit 1-0 **DACREF[1:0]:** DAC Reference Source Select bits

11 = 2.4V internal band gap ($2 * V_{BG}$)⁽¹⁾
10 = AVDD
01 = DVREF+
00 = Reference is not connected (lowest power but no DAC functionality)

Note 1: The internal band gap reference is automatically enabled whenever the DAC is enabled.

PIC24FJ256GA412/GB412 FAMILY

NOTES:

PIC24FJ256GA412/GB412 FAMILY

29.0 TRIPLE COMPARATOR MODULE

Note: This data sheet summarizes the features of this group of PIC24F devices. It is not intended to be a comprehensive reference source. For more information, refer to the “dsPIC33/PIC24 Family Reference Manual”, “Scalable Comparator Module” (www.microchip.com/DS39734). The information in this data sheet supersedes the information in the FRM.

The triple comparator module provides three dual input comparators. The inputs to the comparator can be configured to use any one of five external analog inputs (CxINA, CxINB, CxINC, CxIND and VREF+) and a

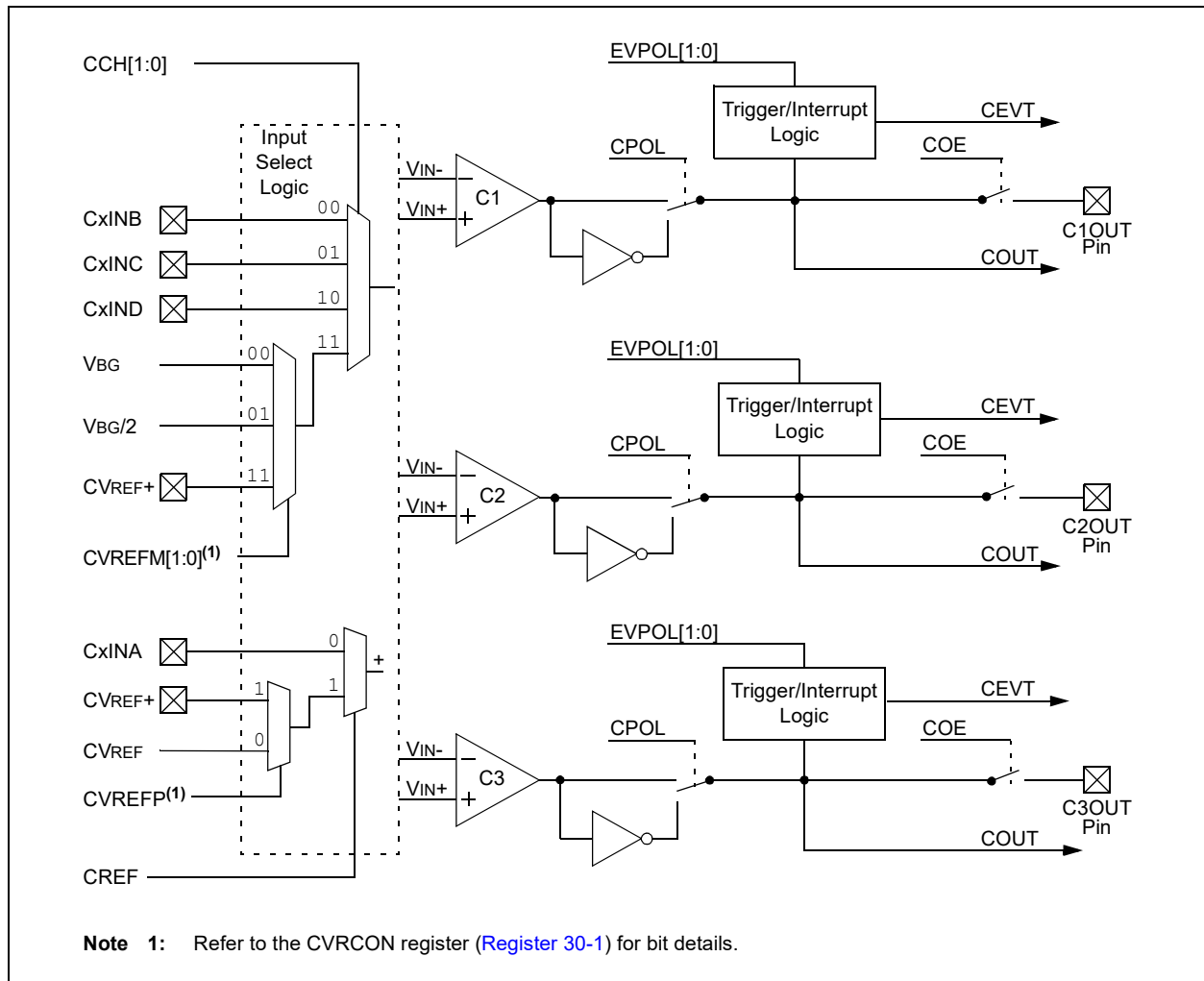
voltage reference input from one of the internal band gap references or the comparator voltage reference generator (V_{BG}, V_{BG}/2 and CVREF).

The comparator outputs may be directly connected to the CxOUT pins. When the respective COE bit equals ‘1’, the I/O pad logic makes the unsynchronized output of the comparator available on the pin.

A simplified block diagram of the module is shown in Figure 29-1. Diagrams of the possible individual comparator configurations are shown in Figure 29-2.

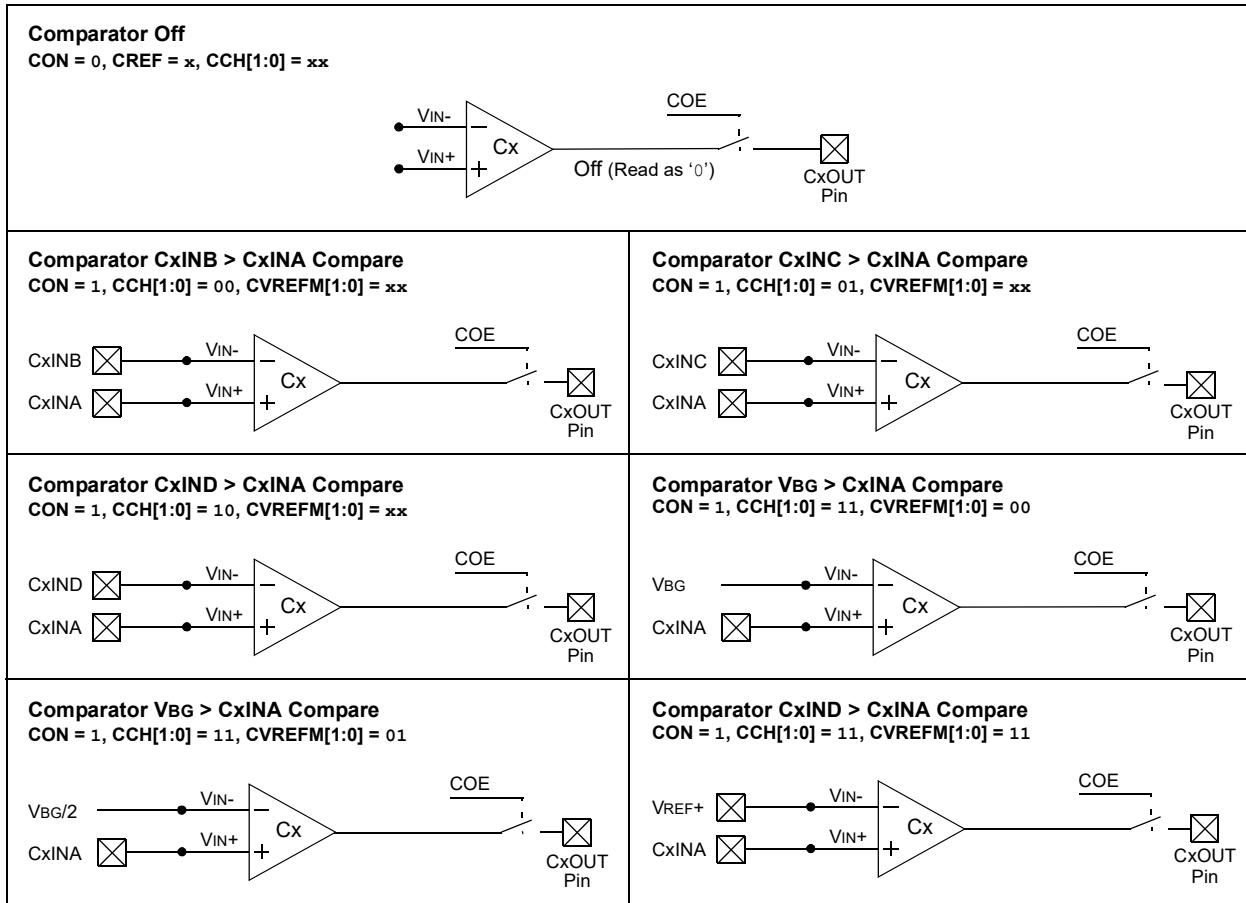
Each comparator has its own control register, CMxCON (Register 29-1), for enabling and configuring its operation. The output and event status of all three comparators is provided in the CMSTAT register (Register 29-2).

FIGURE 29-1: TRIPLE COMPARATOR MODULE BLOCK DIAGRAM



PIC24FJ256GA412/GB412 FAMILY

FIGURE 29-2: INDIVIDUAL COMPARATOR CONFIGURATIONS WHEN CREF = 0



PIC24FJ256GA412/GB412 FAMILY

FIGURE 29-3: INDIVIDUAL COMPARATOR CONFIGURATIONS WHEN CREF = 1 AND CVREFP = 0

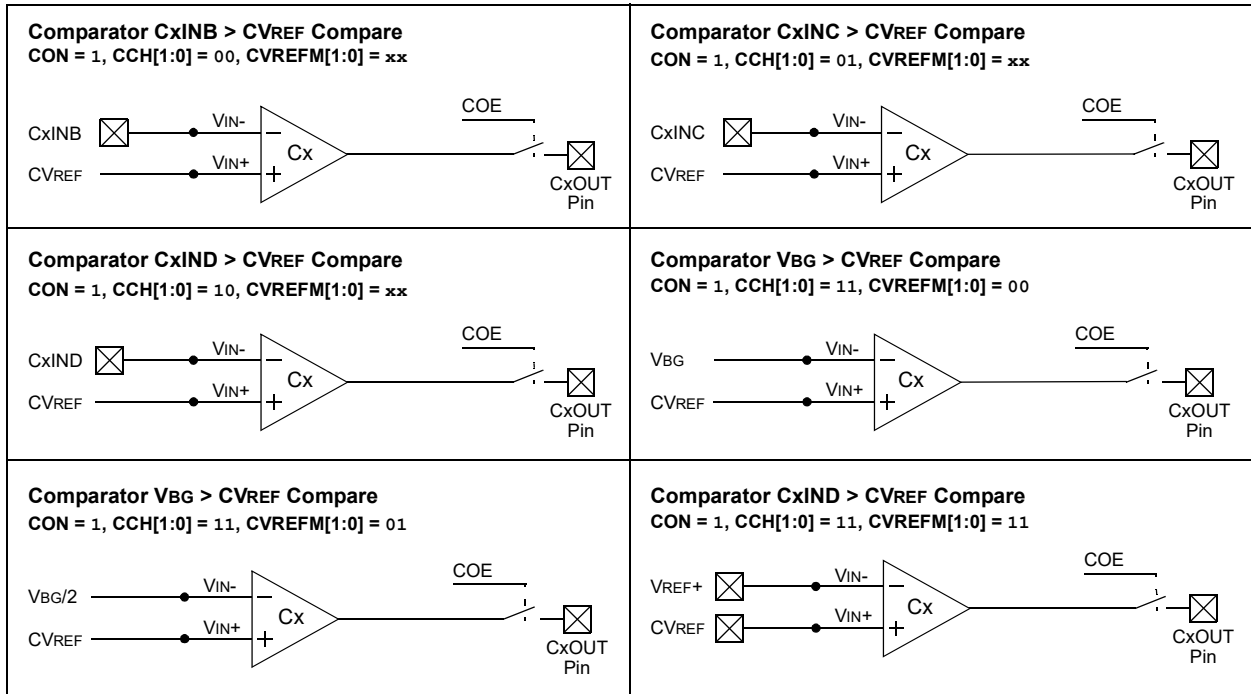
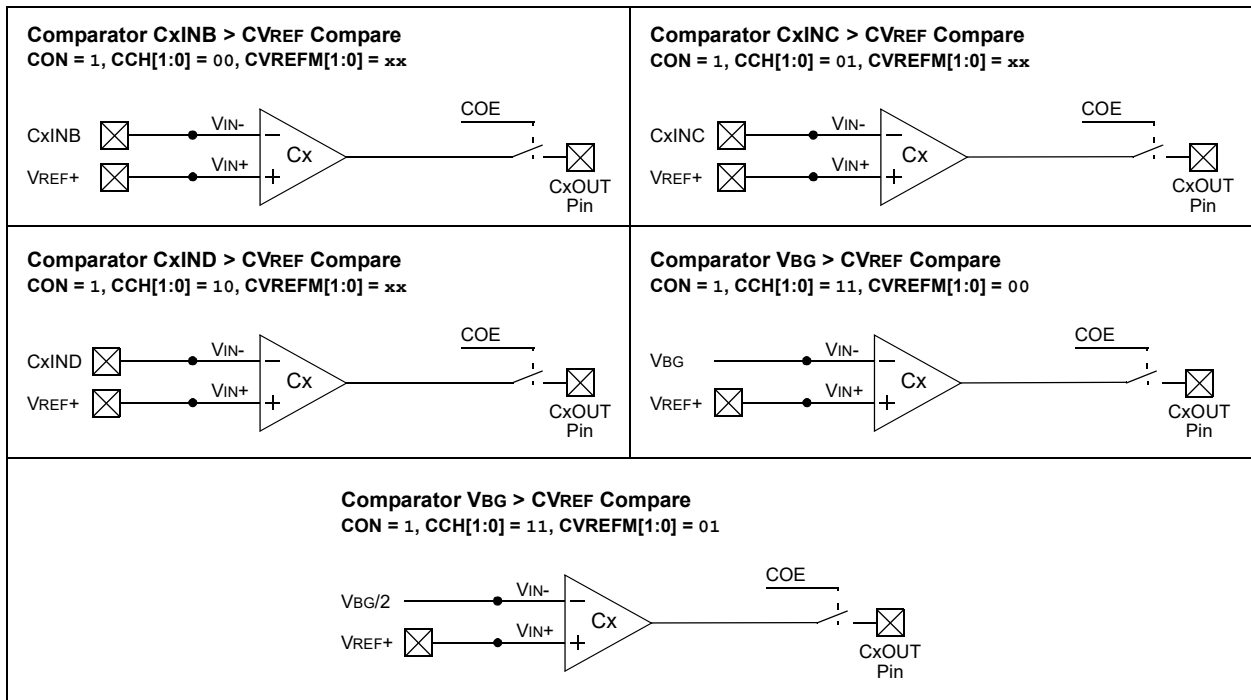


FIGURE 29-4: INDIVIDUAL COMPARATOR CONFIGURATIONS WHEN CREF = 1 AND CVREFP = 1



PIC24FJ256GA412/GB412 FAMILY

REGISTER 29-1: CMxCON: COMPARATOR x CONTROL REGISTERS (COMPARATORS 1 THROUGH 3)

R/W-0	R/W-0	R/W-0	U-0	U-0	U-0	HS/R/W-0	HSC/R-0
CON	COE	CPOL	—	—	—	CEVT	COUT
bit 15						bit 8	

R/W-0	R/W-0	U-0	R/W-0	U-0	U-0	R/W-0	R/W-0
EVPOL1	EVPOL0	—	CREF	—	—	CCH1	CCH0
bit 7						bit 0	

Legend:	HS = Hardware Settable bit	HSC = Hardware Settable/Clearable bit
R = Readable bit	W = Writable bit	U = Unimplemented bit, read as '0'
-n = Value at POR	'1' = Bit is set	'0' = Bit is cleared x = Bit is unknown

- bit 15 **CON:** Comparator Enable bit
 1 = Comparator is enabled
 0 = Comparator is disabled
- bit 14 **COE:** Comparator Output Enable bit
 1 = Comparator output is present on the CxOUT pin
 0 = Comparator output is internal only
- bit 13 **CPOL:** Comparator Output Polarity Select bit
 1 = Comparator output is inverted
 0 = Comparator output is not inverted
- bit 12-10 **Unimplemented:** Read as '0'
- bit 9 **CEVT:** Comparator Event bit
 1 = Comparator event that is defined by EVPOL[1:0] has occurred; subsequent triggers and interrupts are disabled until the bit is cleared
 0 = Comparator event has not occurred
- bit 8 **COUT:** Comparator Output bit
 When CPOL = 0:
 1 = $V_{IN+} > V_{IN-}$
 0 = $V_{IN+} < V_{IN-}$
 When CPOL = 1:
 1 = $V_{IN+} < V_{IN-}$
 0 = $V_{IN+} > V_{IN-}$
- bit 7-6 **EVPOL[1:0]:** Trigger/Event/Interrupt Polarity Select bits
 11 = Trigger/event/interrupt is generated on any change of the comparator output (while CEVT = 0)
 10 = Trigger/event/interrupt is generated on transition of the comparator output:
 If CPOL = 0 (noninverted polarity):
 High-to-low transition only.
 If CPOL = 1 (inverted polarity):
 Low-to-high transition only.
 01 = Trigger/event/interrupt is generated on transition of the comparator output:
 If CPOL = 0 (noninverted polarity):
 Low-to-high transition only.
 If CPOL = 1 (inverted polarity):
 High-to-low transition only.
 00 = Trigger/event/interrupt generation is disabled
- bit 5 **Unimplemented:** Read as '0'

PIC24FJ256GA412/GB412 FAMILY

REGISTER 29-1: CMxCON: COMPARATOR x CONTROL REGISTERS (COMPARATORS 1 THROUGH 3) (CONTINUED)

- bit 4 **CREF:** Comparator Reference Select bit (noninverting input)
 1 = Noninverting input connects to the internal CVREF voltage
 0 = Noninverting input connects to the CxINA pin
- bit 3-2 **Unimplemented:** Read as '0'
- bit 1-0 **CCH[1:0]:** Comparator Channel Select bits
 11 = Inverting input of the comparator connects to the internal selectable reference voltage specified by the CVREFM[1:0] bits in the CVRCON register
 10 = Inverting input of the comparator connects to the CxIND pin
 01 = Inverting input of the comparator connects to the CxINC pin
 00 = Inverting input of the comparator connects to the CxINB pin

REGISTER 29-2: CMSTAT: COMPARATOR MODULE STATUS REGISTER

R/W-0	U-0	U-0	U-0	U-0	HSC/R-0	HSC/R-0	HSC/R-0
CMIDL	—	—	—	—	C3EVT	C2EVT	C1EVT
bit 15						bit 8	

U-0	U-0	U-0	U-0	U-0	HSC/R-0	HSC/R-0	HSC/R-0
—	—	—	—	—	C3OUT	C2OUT	C1OUT
bit 7						bit 0	

Legend:	HSC = Hardware Settable/Clearable bit
R = Readable bit	W = Writable bit U = Unimplemented bit, read as '0'
-n = Value at POR	'1' = Bit is set '0' = Bit is cleared x = Bit is unknown

- bit 15 **CMIDL:** Comparator Stop in Idle Mode bit
 1 = Discontinues operation of all comparators when device enters Idle mode
 0 = Continues operation of all enabled comparators in Idle mode
- bit 14-11 **Unimplemented:** Read as '0'
- bit 10 **C3EVT:** Comparator 3 Event Status bit (read-only)
 Shows the current event status of Comparator 3 (CM3CON[9]).
- bit 9 **C2EVT:** Comparator 2 Event Status bit (read-only)
 Shows the current event status of Comparator 2 (CM2CON[9]).
- bit 8 **C1EVT:** Comparator 1 Event Status bit (read-only)
 Shows the current event status of Comparator 1 (CM1CON[9]).
- bit 7-3 **Unimplemented:** Read as '0'
- bit 2 **C3OUT:** Comparator 3 Output Status bit (read-only)
 Shows the current output of Comparator 3 (CM3CON[8]).
- bit 1 **C2OUT:** Comparator 2 Output Status bit (read-only)
 Shows the current output of Comparator 2 (CM2CON[8]).
- bit 0 **C1OUT:** Comparator 1 Output Status bit (read-only)
 Shows the current output of Comparator 1 (CM1CON[8]).

PIC24FJ256GA412/GB412 FAMILY

NOTES:

PIC24FJ256GA412/GB412 FAMILY

30.0 COMPARATOR VOLTAGE REFERENCE

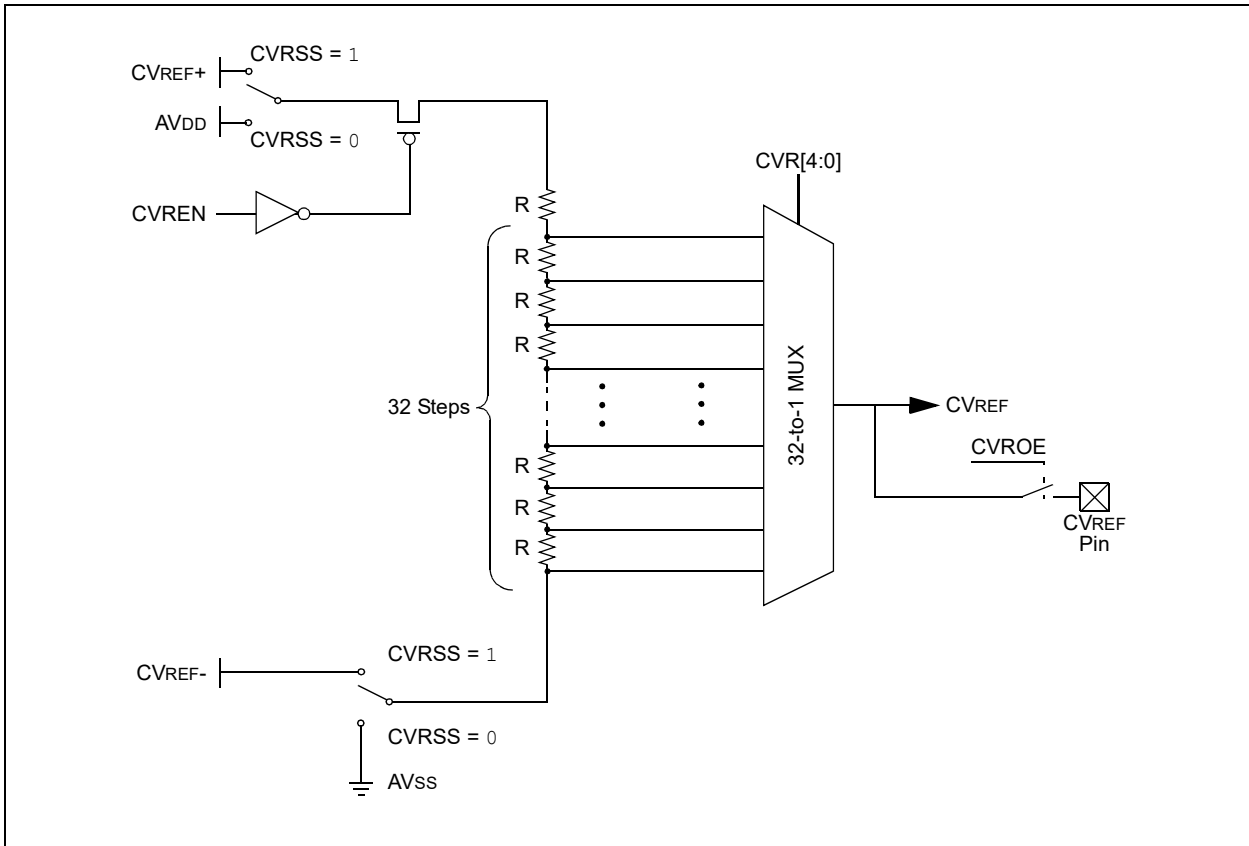
Note: This data sheet summarizes the features of this group of PIC24F devices. It is not intended to be a comprehensive reference source. For more information, refer to the “dsPIC33/PIC24 Family Reference Manual”, “Dual Comparator Module” (www.microchip.com/DS39710). The information in this data sheet supersedes the information in the FRM.

30.1 Configuring the Comparator Voltage Reference

The comparator voltage reference module is controlled through the CVRCON register ([Register 30-1](#)). The comparator voltage reference provides a range of output voltages with 32 distinct levels. The comparator reference supply voltage can come from either VDD and VSS or the external CVREF+ and CVREF- pins. The voltage source is selected by the CVRSS bit (CVRCON[5]).

The settling time of the comparator voltage reference must be considered when changing the CVREF output.

FIGURE 30-1: COMPARATOR VOLTAGE REFERENCE BLOCK DIAGRAM



PIC24FJ256GA412/GB412 FAMILY

REGISTER 30-1: CVRCON: COMPARATOR VOLTAGE REFERENCE CONTROL REGISTER

U-0	U-0	U-0	U-0	U-0	R/W-0	R/W-0	R/W-0
—	—	—	—	—	CVREFP	CVREFM1	CVREFM0
bit 15						bit 8	

R/W-0	R/W-0	R/W-0	R/W-0	R/W-0	R/W-0	R/W-0	R/W-0
CVREN	CVROE	CVRSS	CVR4	CVR3	CVR2	CVR1	CVR0
bit 7						bit 0	

Legend:

R = Readable bit

W = Writable bit

U = Unimplemented bit, read as '0'

-n = Value at POR

'1' = Bit is set

'0' = Bit is cleared

x = Bit is unknown

- bit 15-11 **Unimplemented:** Read as '0'
- bit 10 **CVREFP:** Comparator Voltage Reference Select bit (valid only when CREF is '1')
- 1 = VREF+ is used as a reference voltage to the comparators
- 0 = The CVR[4:0] bits (5-bit DAC) within this module provide the reference voltage to the comparators
- bit 9-8 **CVREFM[1:0]:** Comparator Voltage Band Gap Reference Source Select bits
(valid only when CCH[1:0] = 11)
- 00 = Band gap voltage is provided as an input to the comparators
- 01 = Band gap voltage, divided by two, is provided as an input to the comparators
- 10 = Reserved
- 11 = VREF+ pin is provided as an input to the comparators
- bit 7 **CVREN:** Comparator Voltage Reference Enable bit
- 1 = CVREF circuit is powered on
- 0 = CVREF circuit is powered down
- bit 6 **CVROE:** Comparator VREF Output Enable bit
- 1 = CVREF voltage level is output on the CVREF pin
- 0 = CVREF voltage level is disconnected from the CVREF pin
- bit 5 **CVRSS:** Comparator VREF Source Selection bit
- 1 = Comparator reference source, CVRSRC = VREF+ – VREF-
- 0 = Comparator reference source, CVRSRC = AVDD – AVSS
- bit 4-0 **CVR[4:0]:** Comparator VREF Value Selection bits
- $CVREF = (CVR[4:0]/32) \cdot (CVRSS)$

PIC24FJ256GA412/GB412 FAMILY

31.0 CHARGE TIME MEASUREMENT UNIT (CTMU)

Note: This data sheet summarizes the features of this group of PIC24F devices. It is not intended to be a comprehensive reference source. For more information on the Charge Time Measurement Unit, refer to the “*dsPIC33/PIC24 Family Reference Manual*”, “**Charge Time Measurement Unit (CTMU) and CTMU Operation with Threshold Detect**” (www.microchip.com/DS30009743). The information in this data sheet supersedes the information in the FRM.

The Charge Time Measurement Unit (CTMU) is a flexible analog module that provides charge measurement, accurate differential time measurement between pulse sources and asynchronous pulse generation. Its key features include:

- Thirteen External Edge Input Trigger Sources
- Polarity Control for Each Edge Source
- Control of Edge Sequence
- Control of Response to Edge Levels or Edge Transitions
- Time Measurement Resolution of One Nanosecond
- Accurate Current Source Suitable for Capacitive Measurement

Together with other on-chip analog modules, the CTMU can be used to precisely measure time, measure capacitance, measure relative changes in capacitance or generate output pulses that are independent of the system clock. The CTMU module is ideal for interfacing with capacitive-based touch sensors.

The CTMU is controlled through three registers: CTMUCON1L, CTMUCON1H and CTMUCON2L. CTMUCON1L enables the module and controls the mode of operation of the CTMU, edge sequencing and current source control. CTMUCON1H controls edge source selection and edge source polarity selection. The CTMUCON2L register controls the reset and discharge of the current source.

31.1 Measuring Capacitance

The CTMU module measures capacitance by generating an output pulse, with a width equal to the time between edge events, on two separate input channels. The pulse edge events to both input channels can be selected from four sources: two internal peripheral modules (OC1 and Timer1) and up to 13 external pins (CTED1 through CTED13). This pulse is used with the module’s precision current source to calculate capacitance according to the relationship:

EQUATION 31-1:

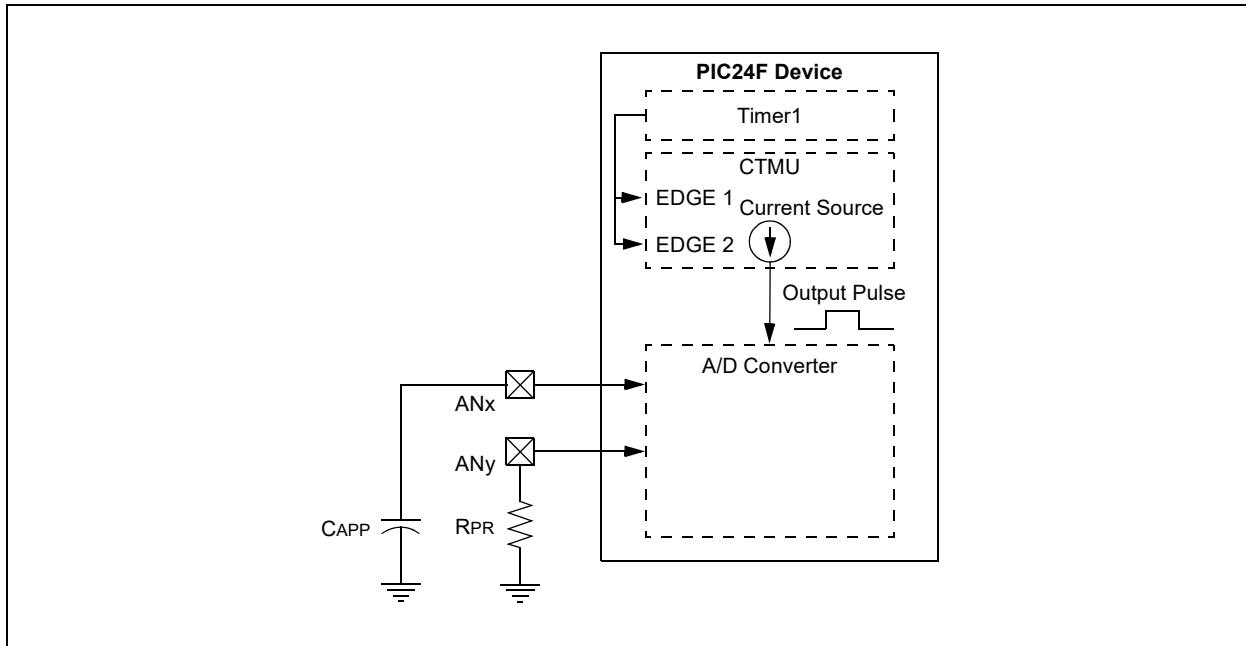
$$I = C \cdot \frac{dV}{dT}$$

For capacitance measurements, the A/D Converter samples an External Capacitor (CAPP) on one of its input channels after the CTMU output’s pulse. A Precision Resistor (RPR) provides current source calibration on a second A/D channel. After the pulse ends, the converter determines the voltage on the capacitor. The actual calculation of capacitance is performed in software by the application.

Figure 31-1 illustrates the external connections used for capacitance measurements and how the CTMU and A/D modules are related in this application. This example also shows the edge events coming from Timer1, but other configurations using external edge sources are possible. A detailed discussion on measuring capacitance and time with the CTMU module is provided in the “*dsPIC33/PIC24 Family Reference Manual*”, “**Charge Time Measurement Unit (CTMU) and CTMU Operation with Threshold Detect**” (www.microchip.com/DS30009743).

PIC24FJ256GA412/GB412 FAMILY

FIGURE 31-1: TYPICAL CONNECTIONS AND INTERNAL CONFIGURATION FOR CAPACITANCE MEASUREMENT

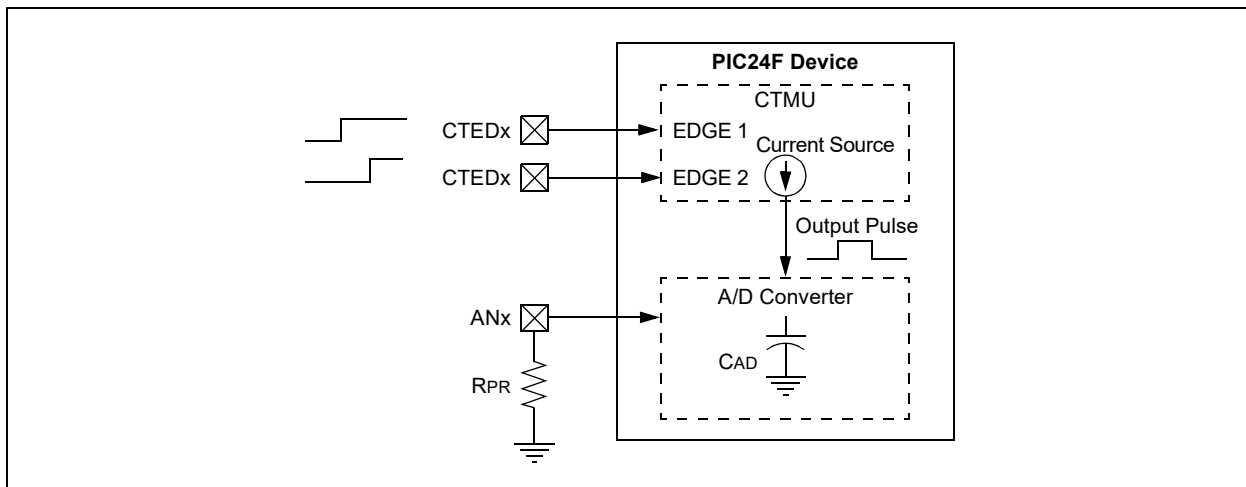


31.2 Measuring Time

Time measurements on the pulse width can be similarly performed using the A/D module's Internal Capacitor (CAD) and a precision resistor for current calibration. [Figure 31-2](#) displays the external connections used for time measurements, and how the CTMU and A/D

modules are related in this application. This example also shows both edge events coming from the external CTEDx pins, but other configurations using internal edge sources are possible.

FIGURE 31-2: TYPICAL CONNECTIONS AND INTERNAL CONFIGURATION FOR TIME MEASUREMENT



PIC24FJ256GA412/GB412 FAMILY

31.3 Pulse Generation and Delay

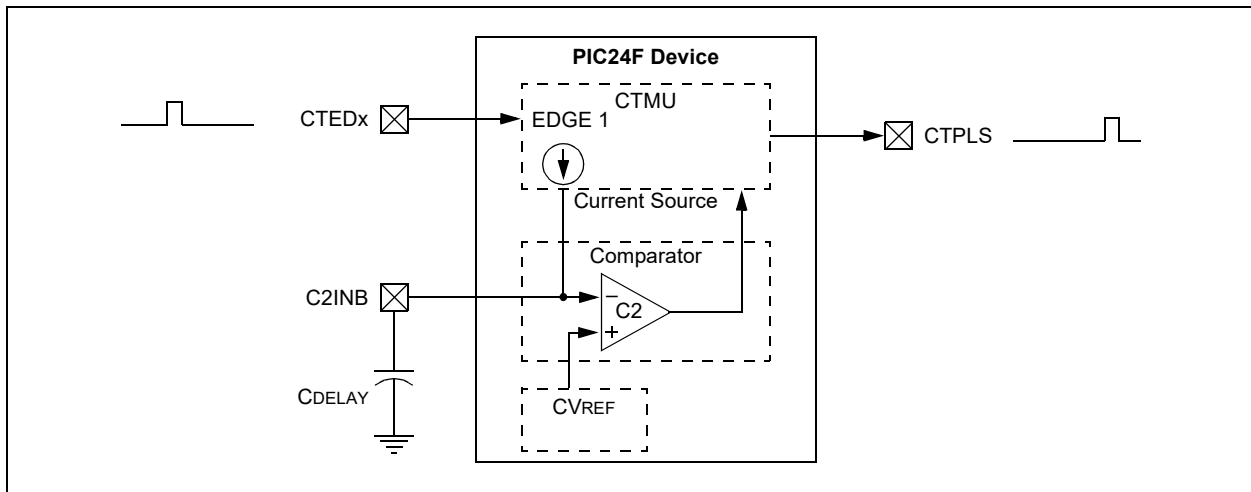
The CTMU module can also generate an output pulse with edges that are not synchronous with the device's system clock. More specifically, it can generate a pulse with a programmable delay from an edge event input to the module.

When the module is configured for pulse generation delay by setting the TGEN bit (CTMUCON1L[12]), the internal current source is connected to the B input of Comparator 2. A Capacitor (CDELAY) is connected to the Comparator 2 pin, C2INB, and the Comparator Voltage Reference, CVREF, is connected to C2INA. CVREF is then configured for a specific trip point. The module begins to charge CDELAY when an edge event

is detected. When CDELAY charges above the CVREF trip point, a pulse is output on CTPLS. The length of the pulse delay is determined by the value of CDELAY and the CVREF trip point.

Figure 31-3 illustrates the external connections for pulse generation, as well as the relationship of the different analog modules required. While CTED1 is shown as the input pulse source, other options are available. A detailed discussion on pulse generation with the CTMU module is provided in the "dsPIC33/PIC24 Family Reference Manual".

FIGURE 31-3: TYPICAL CONNECTIONS AND INTERNAL CONFIGURATION FOR PULSE DELAY GENERATION



PIC24FJ256GA412/GB412 FAMILY

REGISTER 31-1: CTMUCON1L: CTMU CONTROL 1 LOW REGISTER

R/W-0	U-0	R/W-0	R/W-0	R/W-0	R/W-0	R/W-0	R/W-0
CTMUEN	—	CTMUSIDL	TGEN	EDGEN	EDGSEQEN	IDISSEN	CTTRIG
bit 15							bit 8

R/W-0	R/W-0	R/W-0	R/W-0	R/W-0	R/W-0	R/W-0	R/W-0
ITRIM5	ITRIM4	ITRIM3	ITRIM2	ITRIM1	ITRIM0	IRNG1	IRNG0
bit 7							bit 0

Legend:

R = Readable bit W = Writable bit U = Unimplemented bit, read as '0'
 -n = Value at POR '1' = Bit is set '0' = Bit is cleared x = Bit is unknown

- bit 15 **CTMUEN:** CTMU Enable bit
 1 = Module is enabled
 0 = Module is disabled
- bit 14 **Unimplemented:** Read as '0'
- bit 13 **CTMUSIDL:** CTMU Stop in Idle Mode bit
 1 = Discontinues module operation when device enters Idle mode
 0 = Continues module operation in Idle mode
- bit 12 **TGEN:** Time Generation Enable bit
 1 = Enables edge delay generation
 0 = Disables edge delay generation
- bit 11 **EDGEN:** Edge Enable bit
 1 = Edges are not blocked
 0 = Edges are blocked
- bit 10 **EDGSEQEN:** Edge Sequence Enable bit
 1 = Edge 1 event must occur before Edge 2 event can occur
 0 = No edge sequence is needed
- bit 9 **IDISSEN:** Analog Current Source Control bit
 1 = Analog current source output is grounded
 0 = Analog current source output is not grounded
- bit 8 **CTTRIG:** CTMU Trigger Control bit
 1 = Trigger output is enabled
 0 = Trigger output is disabled
- bit 7-2 **ITRIM[5:0]:** Current Source Trim bits
 011111 = Maximum positive change from nominal current
 011110
 ...
 000001 = Minimum positive change from nominal current
 000000 = Nominal current output specified by IRNG[1:0]
 111111 = Minimum negative change from nominal current
 ...
 100010
 100001 = Maximum negative change from nominal current
- bit 1-0 **IRNG[1:0]:** Current Source Range Select bits
 11 = 100 × Base Current
 10 = 10 × Base Current
 01 = Base current level (0.55 μA nominal)
 00 = 1000 × Base Current

PIC24FJ256GA412/GB412 FAMILY

REGISTER 31-2: CTMUCON1H: CTMU CONTROL 1 HIGH REGISTER

R/W-0	R/W-0	R/W-0	R/W-0	R/W-0	R/W-0	R/W-0	R/W-0
EDG1MOD	EDG1POL	EDG1SEL3	EDG1SEL2	EDG1SEL1	EDG1SEL0	EDG2STAT	EDG1STAT
bit 15						bit 8	

R/W-0	R/W-0	R/W-0	R/W-0	R/W-0	R/W-0	U-0	U-0
EDG2MOD	EDG2POL	EDG2SEL3	EDG2SEL2	EDG2SEL1	EDG2SEL0	—	—
bit 7						bit 0	

Legend:

R = Readable bit W = Writable bit U = Unimplemented bit, read as '0'
 -n = Value at POR '1' = Bit is set '0' = Bit is cleared x = Bit is unknown

- bit 15 **EDG1MOD:** Edge 1 Edge-Sensitive Select bit
 1 = Input is edge-sensitive
 0 = Input is level-sensitive
- bit 14 **EDG1POL:** Edge 1 Polarity Select bit
 1 = Edge 1 is programmed for a positive edge response
 0 = Edge 1 is programmed for a negative edge response
- bit 13-10 **EDG1SEL[3:0]:** Edge 1 Source Select bits
 1111 = Comparator 3 output
 1110 = Comparator 2 output
 1101 = Comparator 1 output
 1100 = IC3
 1011 = IC2
 1010 = IC1
 1001 = CTED8
 1000 = CTED7
 0111 = CTED6
 0110 = CTED5
 0101 = CTED4
 0100 = CTED3
 0011 = CTED1
 0010 = CTED2
 0001 = OC1
 0000 = Timer1 match
- bit 9 **EDG2STAT:** Edge 2 Status bit
 Indicates the status of Edge 2 and can be written to control current source.
 1 = Edge 2 has occurred
 0 = Edge 2 has not occurred
- bit 8 **EDG1STAT:** Edge 1 Status bit
 Indicates the status of Edge 1 and can be written to control current source.
 1 = Edge 1 has occurred
 0 = Edge 1 has not occurred
- bit 7 **EDG2MOD:** Edge 2 Edge-Sensitive Select bit
 1 = Input is edge-sensitive
 0 = Input is level-sensitive
- bit 6 **EDG2POL:** Edge 2 Polarity Select bit
 1 = Edge 2 is programmed for a positive edge response
 0 = Edge 2 is programmed for a negative edge response

PIC24FJ256GA412/GB412 FAMILY

REGISTER 31-2: CTMUCON1H: CTMU CONTROL 1 HIGH REGISTER (CONTINUED)

bit 5-2 **EDG2SEL[3:0]**: Edge 2 Source Select bits

1111 = Comparator 3 output

1110 = Comparator 2 output

1101 = Comparator 1 output

1100 = System clock

1011 = IC3

1010 = IC2

1001 = IC1

1000 = CTED13

0111 = CTED12

0110 = CTED11

0101 = CTED10

0100 = CTED9

0011 = CTED1

0010 = CTED2

0001 = OC1

0000 = Timer1 match

bit 1-0 **Unimplemented**: Read as '0'

PIC24FJ256GA412/GB412 FAMILY

REGISTER 31-3: CTMUCON2L: CTMU CONTROL 2 LOW REGISTER

U-0	U-0	U-0	U-0	U-0	U-0	U-0	U-0
—	—	—	—	—	—	—	—
bit 15							bit 8

U-0	U-0	U-0	R/W-0	U-0	R/W-0	R/W-0	R/W-0
—	—	—	IRSTEN	—	DSCH2	DSCH1	DSCH0
bit 7							bit 0

Legend:

R = Readable bit

W = Writable bit

U = Unimplemented bit, read as '0'

-n = Value at POR

'1' = Bit is set

'0' = Bit is cleared

x = Bit is unknown

bit 15-5 **Unimplemented:** Read as '0'

bit 4 **IRSTEN:** Current Source Reset Enable bit

1 = Current source is reset by the IDISSEN bit or by a source selected by DSCH[2:0]

0 = Edge detect logic does not occur

bit 3 **Unimplemented:** Read as '0'

bit 2-0 **DSCH[2:0]:** Discharge Trigger Source Select bits

111 = CLC2 output

110 = CLC1 output

101 = Unimplemented

100 = A/D end of conversion event

011 = SCCP5 auxiliary output

010 = SCCP2 auxiliary output

001 = M CCP1 auxiliary output

000 = Unimplemented

PIC24FJ256GA412/GB412 FAMILY

NOTES:

PIC24FJ256GA412/GB412 FAMILY

32.0 HIGH/LOW-VOLTAGE DETECT (HLVD)

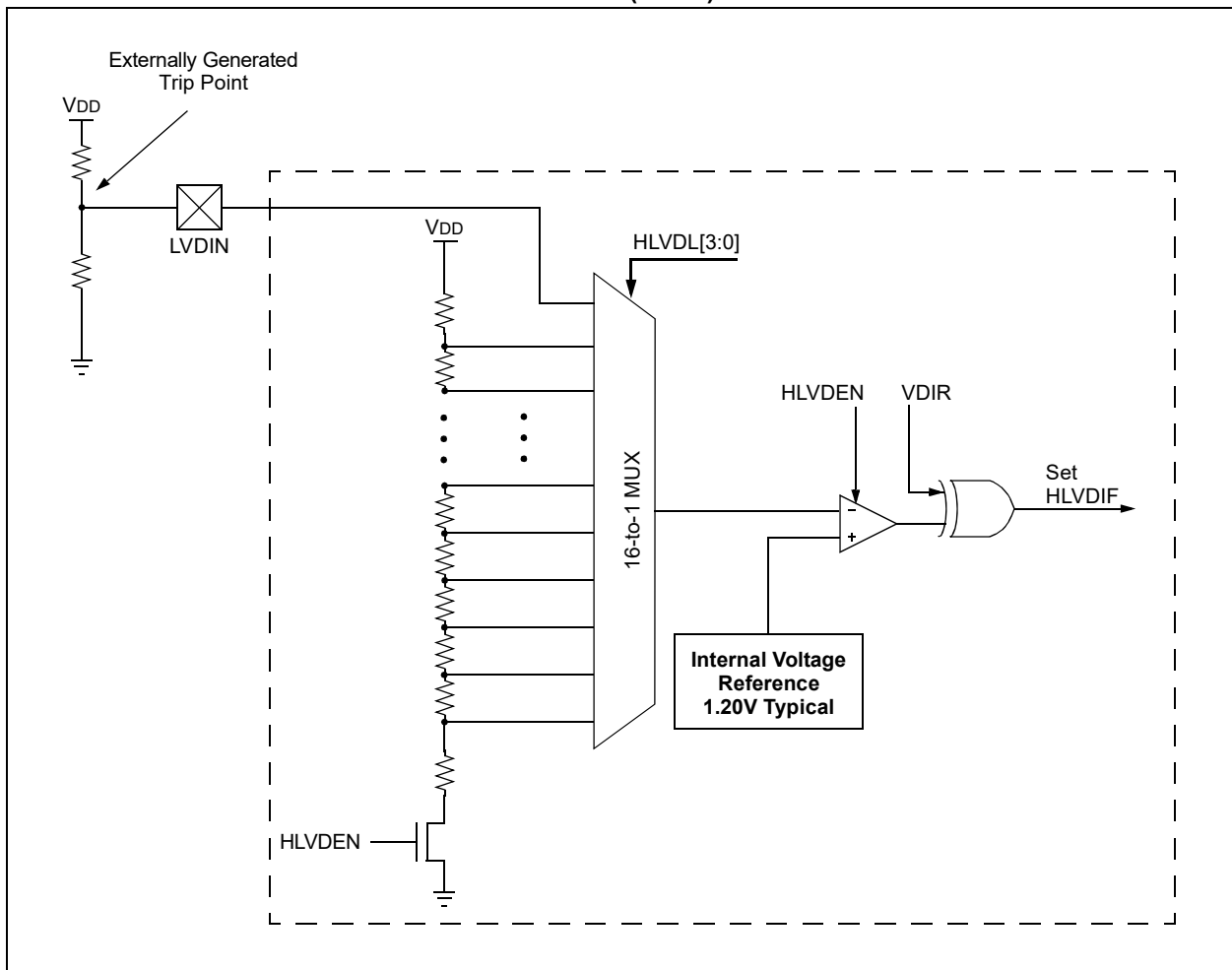
Note: This data sheet summarizes the features of this group of PIC24F devices. It is not intended to be a comprehensive reference source. For more information on the High/Low-Voltage Detect, refer to the “*dsPIC33/PIC24 Family Reference Manual*”, “**High-Level Integration with Programmable High/Low-Voltage Detect (HLVD)**” (www.microchip.com/DS39725). The information in this data sheet supersedes the information in the FRM.

The High/Low-Voltage Detect (HLVD) module is a programmable circuit that allows the user to specify both the device voltage trip point and the direction of change.

An interrupt flag is set if the device experiences an excursion past the trip point in the direction of change. If the interrupt is enabled, the program execution will branch to the interrupt vector address and the software can then respond to the interrupt.

The HLVD Control register (see [Register 32-1](#)) completely controls the operation of the HLVD module. This allows the circuitry to be “turned off” by the user under software control, which minimizes the current consumption for the device.

FIGURE 32-1: HIGH/LOW-VOLTAGE DETECT (HLVD) MODULE BLOCK DIAGRAM



PIC24FJ256GA412/GB412 FAMILY

REGISTER 32-1: HLVDCON: HIGH/LOW-VOLTAGE DETECT CONTROL REGISTER

R/W-0	U-0	R/W-0	U-0	U-0	U-0	U-0	U-0
HLVDEN	—	LSIDL	—	—	—	—	—
bit 15							bit 8

R/W-0	R/W-0	R/W-0	U-0	R/W-0	R/W-0	R/W-0	R/W-0
VDIR	BGVST	IRVST	—	HLVDL3	HLVDL2	HLVDL1	HLVDL0
bit 7							bit 0

Legend:

R = Readable bit W = Writable bit U = Unimplemented bit, read as '0'
 -n = Value at POR '1' = Bit is set '0' = Bit is cleared x = Bit is unknown

- bit 15 **HLVDEN:** High/Low-Voltage Detect Power Enable bit
 1 = HLVD is enabled
 0 = HLVD is disabled
- bit 14 **Unimplemented:** Read as '0'
- bit 13 **LSIDL:** HLVD Stop in Idle Mode bit
 1 = Discontinues module operation when device enters Idle mode
 0 = Continues module operation in Idle mode
- bit 12-8 **Unimplemented:** Read as '0'
- bit 7 **VDIR:** Voltage Change Direction Select bit
 1 = Event occurs when voltage equals or exceeds trip point (HLVDL[3:0])
 0 = Event occurs when voltage equals or falls below trip point (HLVDL[3:0])
- bit 6 **BGVST:** Band Gap Voltage Stable Flag bit
 1 = Indicates that the band gap voltage is stable
 0 = Indicates that the band gap voltage is unstable
- bit 5 **IRVST:** Internal Reference Voltage Stable Flag bit
 1 = Internal reference voltage is stable; the High-Voltage Detect logic generates the interrupt flag at the specified voltage range
 0 = Internal reference voltage is unstable; the High-Voltage Detect logic will not generate the interrupt flag at the specified voltage range and the HLVD interrupt should not be enabled
- bit 4 **Unimplemented:** Read as '0'
- bit 3-0 **HLVDL[3:0]:** High/Low-Voltage Detection Limit bits
 1111 = External analog input is used (input comes from the LVDIN pin)
 1110 = Trip Point 1⁽¹⁾
 1101 = Trip Point 2⁽¹⁾
 1100 = Trip Point 3⁽¹⁾
 •
 •
 •
 0100 = Trip Point 11⁽¹⁾
 00xx = Unused

Note 1: For the actual trip point, see [Section 36.0 “Electrical Characteristics”](#).

PIC24FJ256GA412/GB412 FAMILY

33.0 SPECIAL FEATURES

Note: This data sheet summarizes the features of this group of PIC24F devices. It is not intended to be a comprehensive reference source. For more information, refer to the following sections in the “*dsPIC33/PIC24 Reference Manual*”. The information in this data sheet supersedes the information in the FRMs.

- “**Watchdog Timer (WDT)**”
(www.microchip.com/DS39697)
- “**High-Level Device Integration**”
(www.microchip.com/DS39719)
- “**Programming and Diagnostics**”
(www.microchip.com/DS39716)
- “**CodeGuard™ Intermediate Security**”
(www.microchip.com/DS70005182)

PIC24FJ256GA412/GB412 family devices include several features intended to maximize application flexibility and reliability, and minimize cost through elimination of external components. These are:

- Flexible Configuration
- Watchdog Timer (WDT)
- Code Protection
- JTAG Boundary Scan Interface
- In-Circuit Serial Programming™
- In-Circuit Emulation

33.1 Configuration Bits

The Flash Configuration Words are stored in the last page location of implemented program memory. Their bits can be programmed (read as ‘0’), or left unprogrammed (read as ‘1’), to select various device configurations. There are two types of Configuration bits: system operation bits and code-protect bits. The system operation bits determine the power-on settings for system-level components, such as the oscillator and the Watchdog Timer. The code-protect bits prevent program memory from being read and written.

[Table 33-1](#) lists the Configuration register address ranges for each device in Single and Dual Partition Flash modes. A detailed explanation of the various bit functions is provided in [Register 33-1](#) through [Register 33-12](#).

33.1.1 CONSIDERATIONS FOR CONFIGURING PIC24FJ256GA412/GB412 FAMILY DEVICES

In PIC24FJ256GA412/GB412 family devices, most of the Configuration Words are implemented as volatile memory. This means that configuration data must be programmed each time the device is powered up. The configuration data are automatically loaded from the Flash Configuration Words to the proper Configuration registers during device Resets.

Note: Configuration data are reloaded on all types of device Resets.

When creating applications for these devices, users should always specifically allocate the location of the Flash Configuration Word for configuration data. This is to make certain that program code is not stored in this address when the code is compiled.

The upper byte of all Configuration Words in program memory should always be ‘0000 0000’. This makes them appear to be NOP instructions in the remote event that their locations are ever executed by accident. Since Configuration bits are not implemented in the corresponding locations, writing ‘0’s to these locations has no effect on device operation.

Note: Performing a page erase operation on the last page of program memory clears the Flash Configuration Words, enabling code protection as a result. Therefore, users should avoid performing page erase operations on the last page of program memory.

33.1.2 FBOOT

Unlike the Configuration Words, the FBOOT register is not implemented as volatile Flash memory. It is located away from the other Flash Configuration Words, at a constant address for all devices outside of the program memory space. Device Resets do not affect its contents.

Note that the address for FBOOT, 801800h, belongs to the configuration memory space (800000h-FFFFFFh), which can only be accessed using Table Reads and Table Writes.

PIC24FJ256GA412/GB412 FAMILY

TABLE 33-1: CONFIGURATION WORD ADDRESSES

Configuration Register	Single Partition Flash Mode		
	PIC24FJ256GX4XX	PIC24FJ128GX4XX	PIC24FJ64GX4XX
FSEC	02AF80h	015780h	00AF80h
FBSLIM	02AF90h	015790h	00AF90h
FSIGN	02AF94h	015794h	00AF94h
FOSCSEL	02AF98h	015798h	00AF98h
FOSC	02AF9Ch	01579Ch	00AF9Ch
FWDT	02AFA0h	0157A0h	00AFA0h
FPOR	02AFA4h	0157A4h	00AFA4h
FICD	02AFA8h	0157A8h	00AFA8h
FDS	02AFACH	0157ACH	00AFACH
FDEVOPT1	02AFB0h	0157B0h	00AFB0h
FBOOT	801800h		
Dual Partition Flash Modes⁽¹⁾			
FSEC ⁽²⁾	015780h/415780h	00AB80h/40AB80h	005780h/405780h
FBSLIM ⁽²⁾	015790h/415790h	00AB90h/40AB90h	005790h/405790h
FSIGN ⁽²⁾	015794h/415794h	00AB94h/40AB94h	005794h/405794h
FOSCSEL	015798h/415798h	00AB98h/40AB98h	005798h/405798h
FOSC	01579Ch/41579Ch	00AB9Ch/40AB9Ch	00579Ch/40579Ch
FWDT	0157A0h/4157A0h	00ABA0h/40ABA0h	0057A0h/4057A0h
FPOR	0157A4h/4157A4h	00ABA4h/40ABA4h	0057A4h/4057A4h
FICD	0157A8h/4157A8h	00ABA8h/40ABA8h	0057A8h/4057A8h
FDS	0157ACH/4157ACH	00ABACH/40ABACH	0057ACH/4057ACH
FDEVOPT1	0157B0h/4157B0h	00ABB0h/40ABB0h	0057B0h/4057B0h
FBTSEQ	0157FCh/4157FCh	00ABFCh/40ABFCh	0057FCh/4057FCh
FBOOT	801800h		

Note 1: Addresses shown for Dual Partition modes are for the Active/Inactive Partitions, respectively.

2: Changes to these Inactive Partition Configuration Words affect how the Active Partition accesses the Inactive Partition.

PIC24FJ256GA412/GB412 FAMILY

REGISTER 33-1: FSEC: SECURITY CONFIGURATION WORD

U-1	U-1	U-1	U-1	U-1	U-1	U-1	U-1
—	—	—	—	—	—	—	—
bit 23						bit 16	

R/PO-1	U-1	U-1	U-1	R/PO-1	R/PO-1	R/PO-1	R/PO-1
AIVTDIS	—	—	—	CSS2	CSS1	CSS0	CWRP
bit 15						bit 8	

R/PO-1	R/PO-1	R/PO-1	U-1	R/PO-1	R/PO-1	R/PO-1	R/PO-1
GSS1	GSS0	GWRP	—	BSEN	BSS1	BSS0	BWRP
bit 7						bit 0	

Legend:	PO = Program Once bit
R = Readable bit	W = Writable bit
-n = Value at POR	'1' = Bit is set
	'0' = Bit is cleared
	x = Bit is unknown
	U = Unimplemented bit, read as '0'

- bit 23-16 **Unimplemented:** Read as '1'
- bit 15 **AIVTDIS:** Alternate Interrupt Vector Table (AIVT) Enable bit
 1 = AIVT is disabled; the ALTIVT bit (INTCON2[8]) is also unavailable
 0 = AIVT is enabled and may be selectively enabled in software by the ALTIVT bit
- bit 14-12 **Unimplemented:** Read as '1'
- bit 11-9 **CSS[2:0]:** Configuration Segment Memory Code Protection bits
 111 = No security other than write protection (configured by the CWRP Configuration bit)
 110 = Standard security
 10x = Enhanced security
 0xx = High security
- bit 8 **CWRP:** Configuration Segment (CS) Flash Write Protection bit
 1 = Writes to CS (last page of Flash program memory) memory are allowed
 0 = Writes to CS are not allowed
- bit 7-6 **GSS[1:0]:** General Segment (GS) Program Memory Code Protection bits
 11 = No security other than write protection (configured by the GWRP Configuration bit)
 10 = Standard security
 0x = High security
- bit 5 **GWRP:** General Segment Code Flash Write Protection bit
 1 = Writes to program memory are allowed
 0 = Writes to program memory are not allowed
- bit 4 **Unimplemented:** Read as '1'
- bit 3 **BSEN:** Boot Segment (BS) Enable bit
 1 = Boot Segment is not instantiated
 0 = Boot Segment is instantiated with a size determined by FBSLIM[12:0]
- bit 2-1 **BSS[1:0]:** Boot Segment Program Memory Code Protection bits
 11 = No security other than write protection (configured by the BWRP Configuration bit)
 10 = Standard security
 0x = High security
- bit 0 **BWRP:** Boot Segment Code Flash Write Protection bit
 1 = Writes to BS are allowed
 0 = Writes to BS are not allowed

PIC24FJ256GA412/GB412 FAMILY

REGISTER 33-2: FBSLIM: BOOT SEGMENT LIMIT CONFIGURATION WORD

U-1	U-1	U-1	U-1	U-1	U-1	U-1	U-1
—	—	—	—	—	—	—	—
bit 23							bit 16

U-1	U-1	U-1	R/PO-1	R/PO-1	R/PO-1	R/PO-1	R/PO-1	
—	—	—	BSLIM[12:8]					—
bit 15							bit 8	

R/PO-1	R/PO-1	R/PO-1	R/PO-1	R/PO-1	R/PO-1	R/PO-1	R/PO-1
BSLIM[7:0]							
bit 7							bit 0

Legend:	PO = Program Once bit		
R = Readable bit	W = Writable bit	U = Unimplemented bit, read as '0'	
-n = Value at POR	'1' = Bit is set	'0' = Bit is cleared	x = Bit is unknown

bit 23-13 **Unimplemented:** Read as '1'

bit 12-0 **BSLIM[12:0]:** Boot Segment Upper Address Limit bits

Defines the address of the last page of the Boot Segment plus 1, when the Boot Segment is instantiated (BSEN = 0). The stored value is the inverse of the actual address value.

REGISTER 33-3: FSIGN: SIGNATURE CONFIGURATION WORD

U-1	U-1	U-1	U-1	U-1	U-1	U-1	U-1
—	—	—	—	—	—	—	—
bit 23							bit 16

r-x	U-1	U-1	U-1	U-1	U-1	U-1	U-1
—	—	—	—	—	—	—	—
bit 15							bit 8

U-1	U-1	U-1	U-1	U-1	U-1	U-1	U-1
—	—	—	—	—	—	—	—
bit 7							bit 0

Legend:	r = Reserved bit		
R = Readable bit	W = Writable bit	U = Unimplemented bit, read as '0'	
-n = Value at POR	'1' = Bit is set	'0' = Bit is cleared	x = Bit is unknown

bit 23-16 **Unimplemented:** Read as '1'

bit 15 **Reserved:** The value is unknown; program as '0'

bit 14-0 **Unimplemented:** Read as '1'

PIC24FJ256GA412/GB412 FAMILY

REGISTER 33-4: FOSCSEL: OSCILLATOR SELECT CONFIGURATION WORD

U-1	U-1	U-1	U-1	U-1	U-1	U-1	U-1
—	—	—	—	—	—	—	—
bit 23						bit 16	

U-1	U-1	U-1	U-1	U-1	U-1	U-1	U-1
—	—	—	—	—	—	—	—
bit 15						bit 8	

R/PO-1	R/PO-1	R/PO-1	R/PO-1	R/PO-1	R/PO-1	R/PO-1	R/PO-1
IESO	PLLMODE3	PLLMODE2	PLLMODE1	PLLMODE0	FNOSC2	FNOSC1	FNOSC0
bit 7						bit 0	

Legend:	PO = Program Once bit
R = Readable bit	W = Writable bit
-n = Value at POR	'1' = Bit is set
	'0' = Bit is cleared
	x = Bit is unknown
	U = Unimplemented bit, read as '0'

bit 23-8 **Unimplemented:** Read as '1'

bit 7 **IESO:** Internal External Switchover bit

1 = IESO mode (Two-Speed Start-up) is enabled

0 = IESO mode (Two-Speed Start-up) is disabled

bit 6-3 **PLLMODE[3:0]:** PLL Block Mode Select bits

1111 = PLL is disabled

1110 = Fixed PLL is selected, 8x operation

1101 = Fixed PLL is selected, 6x operation

1100 = Fixed PLL is selected, 4x operation

10xx = Reserved, do not use

0111 = 96 MHz PLL is selected; oscillator input multiplied by 2 (48 MHz input)

0110 = 96 MHz PLL is selected; oscillator input multiplied by 3 (32 MHz input)

0101 = 96 MHz PLL is selected; oscillator input multiplied by 4 (24 MHz input)

0100 = 96 MHz PLL is selected; oscillator input multiplied by 4.8 (20 MHz input)

0011 = 96 MHz PLL is selected; oscillator input multiplied by 6 (16 MHz input)

0010 = 96 MHz PLL is selected; oscillator input multiplied by 8 (12 MHz input)

0001 = 96 MHz PLL is selected; oscillator input multiplied by 12 (8 MHz input)

0000 = 96 MHz PLL is selected; oscillator input multiplied by 24 (4 MHz input)

bit 2-0 **FNOSC[2:0]:** Initial Oscillator Select bits

111 = Fast RC Oscillator with Postscaler (FRCDIV)

110 = Reserved

101 = Low-Power RC Oscillator (LPRC)

100 = Secondary Oscillator (SOSC)

011 = Primary Oscillator with PLL module (XTPLL, HSPLL, ECPLL)

010 = Primary Oscillator (XT, HS, EC)

001 = Fast RC Oscillator with Postscaler and PLL module (FRCPLL)

000 = Fast RC Oscillator (FRC)

PIC24FJ256GA412/GB412 FAMILY

REGISTER 33-5: FOSC: OSCILLATOR CONFIGURATION WORD

U-1	U-1	U-1	U-1	U-1	U-1	U-1	U-1
—	—	—	—	—	—	—	—
bit 23						bit 16	

U-1	U-1	U-1	U-1	U-1	U-1	U-1	U-1
—	—	—	—	—	—	—	—
bit 15						bit 8	

R/PO-1	R/PO-1	R/PO-1	R/PO-1	R/PO-1	R/PO-1	R/PO-1	R/PO-1
FCKSM1	FCKSM0	IOL1WAY	PLLSS ⁽¹⁾	SOSCSEL	OSCIOFCN	POSCMOD1	POSCMOD0
bit 7						bit 0	

Legend:	PO = Program Once bit		
R = Readable bit	W = Writable bit	U = Unimplemented bit, read as '0'	
-n = Value at POR	'1' = Bit is set	'0' = Bit is cleared	x = Bit is unknown

- bit 23-8 **Unimplemented:** Read as '1'
- bit 7-6 **FCKSM[1:0]:** Clock Switching and Fail-Safe Clock Monitor Configuration bits
 1x = Clock switching and Fail-Safe Clock Monitor are disabled
 01 = Clock switching is enabled, Fail-Safe Clock Monitor is disabled
 00 = Clock switching is enabled, Fail-Safe Clock Monitor is enabled
- bit 5 **IOL1WAY:** IOLOCK One-Way Set Enable bit
 1 = The IOLOCK bit (OSCCON[6]) can be set once, provided the unlock sequence has been completed; once set, the Peripheral Pin Select registers cannot be written to a second time
 0 = The IOLOCK bit can be set and cleared as needed, provided the unlock sequence has been completed
- bit 4 **PLLSS:** PLL Block Secondary Selection Configuration bit⁽¹⁾
 1 = PLL is driven by the Primary Oscillator
 0 = PLL is driven by the FRC Oscillator
- bit 3 **SOSCSEL:** SOSC Selection bit
 1 = SOSC circuit is selected
 0 = Digital (SCLKI) mode⁽²⁾
- bit 2 **OSCIOFCN:** OSCO Pin Configuration bit
If POSCMOD[1:0] = 11 or 00:
 1 = OSCO/CLKO/RC15 functions as CLKO (Fosc/2)
 0 = OSCO/CLKO/RC15 functions as port I/O (RC15)
If POSCMOD[1:0] = 10 or 01:
 OSCIOFCN has no effect on OSCO/CLKO/RC15.
- bit 1-0 **POSCMOD[1:0]:** Primary Oscillator Configuration bits
 11 = Primary Oscillator mode is disabled
 10 = HS Oscillator mode is selected (HS mode is used if crystal ≥ 10 MHz)
 01 = XT Oscillator mode is selected (XT mode is used if crystal < 10 MHz)
 00 = EC Oscillator mode is selected

Note 1: Used only when the PLL block is not being used as the system clock source.

Note 2: Ensure that the SCLKI pin is made a digital input while using this configuration (see [Table 11-1](#)).

PIC24FJ256GA412/GB412 FAMILY

REGISTER 33-6: FWDT: WATCHDOG TIMER CONFIGURATION WORD

U-1	U-1	U-1	U-1	U-1	U-1	U-1	U-1
—	—	—	—	—	—	—	—
bit 23						bit 16	

U-1	R/PO-1	R/PO-1	U-1	R/PO-1	U-1	R/PO-1	R/PO-1
—	WDTCLK1	WDTCLK0	—	WDTCMX	—	WDTWIN1	WDTWIN0
bit 15						bit 8	

R/PO-1	R/PO-1	R/PO-1	R/PO-1	R/PO-1	R/PO-1	R/PO-1	R/PO-1
WINDIS	FWDTEN1	FWDTEN0	FWPSA	WDTPS3	WDTPS2	WDTPS1	WDTPS0
bit 7						bit 0	

Legend:	PO = Program Once bit
R = Readable bit	W = Writable bit
-n = Value at POR	'1' = Bit is set
	'0' = Bit is cleared
	x = Bit is unknown
	U = Unimplemented bit, read as '0'

- bit 23-15 **Unimplemented:** Read as '1'
- bit 14-13 **WDTCLK[1:0]:** WDT Clock Source Select bits
When WDTCMX = 1:
 11 = Always uses LPRC
 10 = Uses FRC when WINDIS = 0, system clock is not LPRC and device is not in Sleep; otherwise, uses LPRC
 01 = Always uses SOSC
 00 = Uses Fosc/2 when system clock is not LPRC and device is not in Sleep; otherwise, uses LPRC
When WDTCMX = 0:
 LPRC is always the WDT clock source.
- bit 12 **Unimplemented:** Read as '1'
- bit 11 **WDTCMX:** WDT Clock Multiplexer Control bit
 1 = Enables WDT clock multiplexing
 0 = WDT clock multiplexing is disabled
- bit 10 **Unimplemented:** Read as '1'
- bit 9-8 **WDTWIN[1:0]:** Watchdog Timer Window Width Select bits
 11 = 25%
 10 = 37.5%
 01 = 50%
 00 = 75%
- bit 7 **WINDIS:** Windowed Watchdog Timer Disable bit
 1 = Standard Watchdog Timer is enabled
 0 = Windowed Watchdog Timer is enabled (FWDTEN[1:0] must not be '00')
- bit 6-5 **FWDTEN[1:0]:** Watchdog Timer Configuration bits
 11 = WDT is always enabled; SWDTEN bit has no effect
 10 = WDT is enabled and controlled in firmware by the SWDTEN bit
 01 = WDT is enabled only in Run mode and disabled in Sleep modes; SWDTEN bit is disabled
 00 = WDT is disabled; SWDTEN bit is disabled
- bit 4 **FWPSA:** WDT Prescaler Ratio Select bit
 1 = Prescaler ratio of 1:128
 0 = Prescaler ratio of 1:32

PIC24FJ256GA412/GB412 FAMILY

REGISTER 33-6: FWDT: WATCHDOG TIMER CONFIGURATION WORD (CONTINUED)

bit 3-0 **WDTPS[3:0]:** Watchdog Timer Postscaler Select bits

1111 = 1:32,768

1110 = 1:16,384

1101 = 1:8,192

1100 = 1:4,096

1011 = 1:2,048

1010 = 1:1,024

1001 = 1:512

1000 = 1:256

0111 = 1:128

0110 = 1:64

0101 = 1:32

0100 = 1:16

0011 = 1:8

0010 = 1:4

0001 = 1:2

0000 = 1:1

PIC24FJ256GA412/GB412 FAMILY

REGISTER 33-7: FPOR: POR CONFIGURATION WORD

U-1	U-1	U-1	U-1	U-1	U-1	U-1	U-1
—	—	—	—	—	—	—	—
bit 23						bit 16	

U-1	U-1	U-1	U-1	U-1	U-1	U-1	U-1
—	—	—	—	—	—	—	—
bit 15						bit 8	

r-0	U-1	U-1	U-1	U-1	R/PO-1	U-1	R/PO-1
—	—	—	—	—	LPCFG	—	BOREN
bit 7						bit 0	

Legend:	r = Reserved bit	PO = Program Once bit
R = Readable bit	W = Writable bit	U = Unimplemented bit, read as '0'
-n = Value at POR	'1' = Bit is set	'0' = Bit is cleared
		x = Bit is unknown

- bit 23-8 **Unimplemented:** Read as '1'
- bit 7 **Reserved:** Maintain this bit as '0'
- bit 6-3 **Unimplemented:** Read as '1'
- bit 2 **LPCFG:** Low-Voltage/Retention Regulator Configuration bit
 - 1 = Low-voltage/retention regulator is always disabled
 - 0 = Low-power, low-voltage/retention regulator is enabled and controlled in firmware by the RETEN bit
- bit 1 **Unimplemented:** Read as '1'
- bit 0 **BOREN:** Brown-out Reset Enable bit
 - 1 = BOR is enabled (all modes except Deep Sleep)
 - 0 = BOR is disabled

PIC24FJ256GA412/GB412 FAMILY

REGISTER 33-8: FICD: ICD CONFIGURATION WORD

U-1	U-1	U-1	U-1	U-1	U-1	U-1	U-1
—	—	—	—	—	—	—	—
bit 23						bit 16	

R/PO-1	U-1	U-1	U-1	U-1	U-1	U-1	U-1
BTSWP	—	—	—	—	—	—	—
bit 15						bit 8	

R/PO-1	U-1	R/PO-1	U-1	U-1	U-1	R/PO-1	R/PO-1
DEBUG	—	JTAGEN	—	—	—	ICS1	ICS0
bit 7						bit 0	

Legend:	PO = Program Once bit		
R = Readable bit	W = Writable bit	U = Unimplemented bit, read as '0'	
-n = Value at POR	'1' = Bit is set	'0' = Bit is cleared	x = Bit is unknown

- bit 23-16 **Unimplemented:** Read as '1'
- bit 15 **BTSWP:** `BOOTSWP` Instruction Disable bit
 - 1 = `BOOTSWP` instruction is disabled
 - 0 = `BOOTSWP` instruction is allowed
- bit 14-8 **Unimplemented:** Read as '1'
- bit 7 **DEBUG:** Background Debugger Enable bit
 - 1 = Device resets into Operational mode
 - 0 = Device resets into Debug mode
- bit 6 **Unimplemented:** Read as '1'
- bit 5 **JTAGEN:** JTAG Port Enable bit
 - 1 = JTAG port is enabled
 - 0 = JTAG port is disabled
- bit 4-2 **Unimplemented:** Read as '1'
- bit 1-0 **ICS[1:0]:** Emulator Pin Placement Select bits
 - 11 = Emulator functions are shared with PGEC1/PGED1
 - 10 = Emulator functions are shared with PGEC2/PGED2
 - 01 = Emulator functions are shared with PGEC3/PGED3
 - 00 = Reserved; do not use

PIC24FJ256GA412/GB412 FAMILY

REGISTER 33-9: FDS: DEEP SLEEP CONFIGURATION WORD

U-1	U-1	U-1	U-1	U-1	U-1	U-1	U-1
—	—	—	—	—	—	—	—
bit 23							bit 16

R/PO-1	U-1	U-1	U-1	U-1	U-1	U-1	U-1
DSSWEN	—	—	—	—	—	—	—
bit 15							bit 8

R/PO-1	R/PO-1	R/PO-1	R/PO-1	R/PO-1	R/PO-1	R/PO-1	R/PO-1
DSWDTEN	DSBOREN	DSWDTOSC	DSWDTPS4	DSWDTPS3	DSWDTPS2	DSWDTPS1	DSWDTPS0
bit 7							bit 0

Legend:	PO = Program Once bit
R = Readable bit	W = Writable bit
-n = Value at POR	'1' = Bit is set
	'0' = Bit is cleared
	x = Bit is unknown
	U = Unimplemented bit, read as '0'

bit 23-16 **Unimplemented:** Read as '1'

bit 15 **DSSWEN:** Deep Sleep Software Control Select bit
 1 = Deep Sleep operation is enabled and controlled by the DSEN bit
 0 = Deep Sleep operation is disabled

bit 14-8 **Unimplemented:** Read as '1'

bit 7 **DSWDTEN:** Deep Sleep Watchdog Timer Enable bit
 1 = Deep Sleep WDT is enabled
 0 = Deep Sleep WDT is disabled

bit 6 **DSBOREN:** Deep Sleep Brown-out Reset Enable bit
 1 = BOR is enabled in Deep Sleep mode
 0 = BOR is disabled in Deep Sleep mode (remains active in other Sleep modes)

bit 5 **DSWDTOSC:** Deep Sleep Watchdog Timer Clock Select bit
 1 = Clock source is LPRC
 0 = Clock source is SOSC

PIC24FJ256GA412/GB412 FAMILY

REGISTER 33-9: FDS: DEEP SLEEP CONFIGURATION WORD (CONTINUED)

bit 4-0 **DSWDTPS[4:0]:** Deep Sleep Watchdog Timer Postscaler Select bits

11111 = 1:68,719,476,736 (25.7 days)
11110 = 1:34,359,738,368 (12.8 days)
11101 = 1:17,179,869,184 (6.4 days)
11100 = 1:8,589,934,592 (77.0 hours)
11011 = 1:4,294,967,296 (38.5 hours)
11010 = 1:2,147,483,648 (19.2 hours)
11001 = 1:1,073,741,824 (9.6 hours)
11000 = 1:536,870,912 (4.8 hours)
10111 = 1:268,435,456 (2.4 hours)
10110 = 1:134,217,728 (72.2 minutes)
10101 = 1:67,108,864 (36.1 minutes)
10100 = 1:33,554,432 (18.0 minutes)
10011 = 1:16,777,216 (9.0 minutes)
10010 = 1:8,388,608 (4.5 minutes)
10001 = 1:4,194,304 (135.3s)
10000 = 1:2,097,152 (67.7s)
01111 = 1:1,048,576 (33.825s)
01110 = 1:524,288 (16.912s)
01101 = 1:262,144 (8.456s)
01100 = 1:131,072 (4.228s)
01011 = 1:65,536 (2.114s)
01010 = 1:32,768 (1.057s)
01001 = 1:16,384 (528.5 ms)
01000 = 1:8,192 (264.3 ms)
00111 = 1:4,096 (132.1 ms)
00110 = 1:2,048 (66.1 ms)
00101 = 1:1,024 (33 ms)
00100 = 1:512 (16.5 ms)
00011 = 1:256 (8.3 ms)
00010 = 1:128 (4.1 ms)
00001 = 1:64 (2.1 ms)
00000 = 1:32 (1 ms)

PIC24FJ256GA412/GB412 FAMILY

REGISTER 33-10: FDEVOPT1: DEVICE OPTIONS CONFIGURATION WORD

U-1	U-1	U-1	U-1	U-1	U-1	U-1	U-1
—	—	—	—	—	—	—	—
bit 23						bit 16	

U-1	U-1	U-1	U-1	U-1	U-1	U-1	U-1
—	—	—	—	—	—	—	—
bit 15						bit 8	

U-1	U-1	U-1	R/PO-1	R/PO-1	R/PO-1	R/PO-1	U-1
—	—	—	ALTVREF ⁽¹⁾	TMPRWIPE	TMPRPIN	ALTCMPI ⁽²⁾	—
bit 7						bit 0	

Legend:	PO = Program Once bit
R = Readable bit	W = Writable bit
-n = Value at POR	'1' = Bit is set
	'0' = Bit is cleared
	x = Bit is unknown
	U = Unimplemented bit, read as '0'

bit 23-5 **Unimplemented:** Read as '1'

bit 4 **ALTVREF:** Alternate External Voltage Reference Location Select bit⁽¹⁾
 1 = VREF+/CVREF+/DVREF+ and VREF-/CVREF- are mapped to RA10 and RA9, respectively
 0 = VREF+/CVREF+/DVREF+ and VREF-/CVREF- are mapped to RB0 and RB1, respectively

bit 3 **TMPRWIPE:** Erase Key RAM on Tamper Event Enable Pin bit
 1 = Cryptographic Engine Key RAM is not erased on $\overline{\text{TMPR}}$ pin events
 0 = Cryptographic Engine Key RAM is erased when a $\overline{\text{TMPR}}$ pin event is detected

bit 2 **TMPRPIN:** Tamper Pin Disable bit
 1 = $\overline{\text{TMPR}}$ pin is disabled
 0 = $\overline{\text{TMPR}}$ pin is enabled

bit 1 **ALTCMPI:** Alternate Comparator Input Location Select bit⁽²⁾
 1 = C1INC, C2INC and C3INC are mapped to their default pin locations
 0 = C1INC, C2INC and C3INC are all mapped to RG9

bit 0 **Unimplemented:** Read as '1'

- Note 1:** Unimplemented on 64-pin devices; maintain this bit as '0' in those devices.
Note 2: Unimplemented in PIC24FJXXXGAXXX devices.

PIC24FJ256GA412/GB412 FAMILY

REGISTER 33-11: FBTSEQ: BOOT SEQUENCE CONFIGURATION WORD⁽¹⁾

R/PO-1	R/PO-1	R/PO-1	R/PO-1	R/PO-1	R/PO-1	R/PO-1	R/PO-1
IBSEQ[11:4]							
bit 23				bit 16			

R/PO-1	R/PO-1	R/PO-1	R/PO-1	R/PO-1	R/PO-1	R/PO-1	R/PO-1
IBSEQ[3:0]				BSEQ[11:8]			
bit 15				bit 8			

R/PO-1	R/PO-1	R/PO-1	R/PO-1	R/PO-1	R/PO-1	R/PO-1	R/PO-1
BSEQ[7:0]							
bit 7				bit 0			

Legend:	PO = Program Once bit
R = Readable bit	W = Writable bit U = Unimplemented bit, read as '0'
-n = Value at POR	'1' = Bit is set '0' = Bit is cleared x = Bit is unknown

bit 23-12 **IBSEQ[11:0]:** Inverse Boot Sequence Number bits
 The inverse of the boot sequence number (FBTSEQ[11:0]). The user is responsible for correctly calculating and programming this value.

bit 11-0 **BSEQ[11:0]:** Inverse Boot Sequence Number bits
 An arbitrary value assigned by the user at device programming. On device initialization, the code segment with the lower value of the boot sequence number becomes the Active (executable) Partition.

Note 1: Implemented only when a Dual Partition mode is selected (FBOOT[1:0] are any value except '11').

PIC24FJ256GA412/GB412 FAMILY

REGISTER 33-12: FBOOT: BOOT MODE CONFIGURATION WORD

U-1	U-1	U-1	U-1	U-1	U-1	U-1	U-1
—	—	—	—	—	—	—	—
bit 23						bit 16	

U-1	U-1	U-1	U-1	U-1	U-1	U-1	U-1
—	—	—	—	—	—	—	—
bit 15						bit 8	

U-1	U-1	U-1	U-1	U-1	U-1	R/PO-1	R/PO-1
—	—	—	—	—	—	BTMOD[1:0]	
bit 7						bit 0	

Legend:	PO = Program Once bit
R = Readable bit	W = Writable bit
-n = Value at POR	'1' = Bit is set
	U = Unimplemented bit, read as '0'
	'0' = Bit is cleared
	x = Bit is unknown

bit 23-2 **Unimplemented:** Read as '1'

bit 1-0 **BTMOD[1:0]:** Boot Mode Select bits

 11 = Standard (Single Partition Flash) mode

 10 = Dual Partition Flash mode

 01 = Protected Dual Partition Flash mode

 00 = Reserved, do not use

PIC24FJ256GA412/GB412 FAMILY

REGISTER 33-13: DEVID: DEVICE ID REGISTER

U-1	U-1	U-1	U-1	U-1	U-1	U-1	U-1
—	—	—	—	—	—	—	—
bit 23							bit 16

R	R	R	R	R	R	R	R
FAMID[7:0]							
bit 15							bit 8

R	R	R	R	R	R	R	R
DEV[7:0]							
bit 7							bit 0

Legend: R = Readable bit	U = Unimplemented bit
---------------------------------	-----------------------

- bit 23-16 **Unimplemented:** Read as '1'
- bit 15-8 **FAMID[7:0]:** Device Family Identifier bits
 0110 0001 = PIC24FJ256GA412/GB412 Family
- bit 7-0 **DEV[7:0]:** Individual Device Identifier bits
- | | |
|-----------------------------|-----------------------------|
| 0000 0000 = PIC24FJ64GA406 | 0000 0100 = PIC24FJ64GB406 |
| 0000 0001 = PIC24FJ64GA410 | 0000 0101 = PIC24FJ64GB410 |
| 0000 0010 = PIC24FJ64GA412 | 0000 0110 = PIC24FJ64GB412 |
| 0000 1000 = PIC24FJ128GA406 | 0000 1100 = PIC24FJ128GB406 |
| 0000 1001 = PIC24FJ128GA410 | 0000 1101 = PIC24FJ128GB410 |
| 0000 1010 = PIC24FJ128GA412 | 0000 1110 = PIC24FJ128GB412 |
| 0001 0000 = PIC24FJ256GA406 | 0001 0100 = PIC24FJ256GB406 |
| 0001 0001 = PIC24FJ256GA410 | 0001 0101 = PIC24FJ256GB410 |
| 0001 0010 = PIC24FJ256GA412 | 0001 0110 = PIC24FJ256GB412 |

REGISTER 33-14: DEVREV: DEVICE REVISION REGISTER

U-0	U-0	U-0	U-0	U-0	U-0	U-0	U-0
—	—	—	—	—	—	—	—
bit 23							bit 16

U-0	U-0	U-0	U-0	U-0	U-0	U-0	U-0
—	—	—	—	—	—	—	—
bit 15							bit 8

U-0	U-0	U-0	U-0	R	R	R	R
—				REV[3:0]			
bit 7							bit 0

Legend: R = Readable bit	U = Unimplemented bit
---------------------------------	-----------------------

- bit 23-4 **Unimplemented:** Read as '0'
- bit 3-0 **REV[3:0]:** Device Revision Identifier bits

PIC24FJ256GA412/GB412 FAMILY

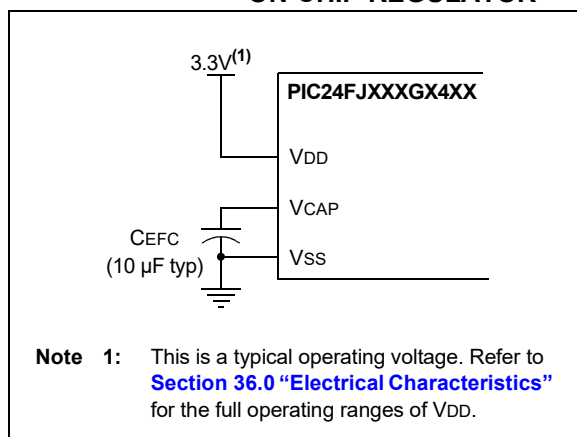
33.2 On-Chip Voltage Regulator

All PIC24FJ256GA412/GB412 family devices power their core digital logic at a nominal 1.8V. This may create an issue for designs that are required to operate at a higher typical voltage, such as 3.3V. To simplify system design, all devices in the PIC24FJ256GA412/GB412 family incorporate an on-chip regulator that allows the device to run its core logic from VDD.

This regulator is always enabled. It provides a constant voltage (1.8V nominal) to the digital core logic, from a VDD of 2.0V all the way up to the device's VDDMAX. It does not have the capability to boost VDD levels. In order to prevent "brown-out" conditions when the voltage drops too low for the regulator, the Brown-out Reset occurs. Then, the regulator output follows VDD with a typical voltage drop of 300 mV.

A low-ESR capacitor (such as ceramic) must be connected to the VCAP pin (Figure 33-1). This helps to maintain the stability of the regulator. The recommended value for the Filter Capacitor (CEFC) is provided in Section 36.1 "DC Characteristics".

FIGURE 33-1: CONNECTIONS FOR THE ON-CHIP REGULATOR



33.2.1 ON-CHIP REGULATOR AND POR

The voltage regulator requires a small amount of time to transition from a disabled or standby state into normal operating mode. During this time, designated as TVREG, code execution is disabled. TVREG is applied every time the device resumes operation after any power-down, including Sleep mode. TVREG is determined by the status of the PMSLP bit (RCON[8]). Refer to Section 36.0 "Electrical Characteristics" for more information on TVREG.

Note: For more information, see Section 36.0 "Electrical Characteristics". The information in this data sheet supersedes the information in the "dsPIC33/PIC24 Family Reference Manual".

33.2.2 VOLTAGE REGULATOR STANDBY MODE

The on-chip regulator always consumes a small incremental amount of current over IDD/IPD, including when the device is in Sleep mode, even though the core digital logic does not require power. To provide additional savings in applications where power resources are critical, the regulator can be made to enter Standby mode on its own whenever the device goes into Sleep mode. This feature is controlled by the PMSLP bit (RCON[8]). Clearing the PMSLP bit enables the Standby mode. When waking up from Standby mode, the regulator needs to wait for TVREG to expire before wake-up.

33.2.3 LOW-VOLTAGE/RETENTION REGULATOR

When power-saving modes, such as Sleep is used, PIC24FJ256GA412/GB412 family devices may use a separate low-power, low-voltage/retention regulator to power critical circuits. This regulator, which operates at 1.2V nominal, maintains power to data RAM and the RTCC while all other core digital logic is powered down. It operates only in Sleep and VBAT modes.

The low-voltage/retention regulator is described in more detail in Section 10.1.3 "Low-Voltage/Retention Regulator".

PIC24FJ256GA412/GB412 FAMILY

33.3 Watchdog Timer (WDT)

For PIC24FJ256GA412/GB412 family devices, the WDT is driven by the LPRC Oscillator. When the WDT is enabled, the clock source is also enabled.

The nominal WDT clock source from LPRC is 31 kHz. This feeds a prescaler that can be configured for either 5-bit (divide-by-32) or 7-bit (divide-by-128) operation. The prescaler is set by the FWPSA Configuration bit. With a 31 kHz input, the prescaler yields a nominal WDT Time-out period (TWDT) of 1 ms in 5-bit mode or 4 ms in 7-bit mode.

A variable postscaler divides down the WDT prescaler output and allows for a wide range of time-out periods. The postscaler is controlled by the WDTPS[3:0] Configuration bits (FWDT[3:0]), which allows the selection of a total of 16 settings, from 1:1 to 1:32,768. Using the prescaler and postscaler time-out periods, ranges from 1 ms to 131 seconds can be achieved.

The WDT, prescaler and postscaler are reset:

- On any device Reset
- On the completion of a clock switch, whether invoked by software (i.e., setting the OSWEN bit after changing the NOSCx bits) or by hardware (i.e., Fail-Safe Clock Monitor)
- When a PWRSAV instruction is executed (i.e., Sleep or Idle mode is entered)
- When the device exits Sleep or Idle mode to resume normal operation
- By a CLRWDT instruction during normal execution

If the WDT is enabled, it will continue to run during Sleep or Idle modes. When the WDT time-out occurs, the device will wake the device and code execution will continue from where the PWRSAV instruction was executed. The corresponding SLEEP or IDLE (RCON[3:2]) bit will need to be cleared in software after the device wakes up.

The WDT Flag bit, WDTO (RCON[4]), is not automatically cleared following a WDT time-out. To detect subsequent WDT events, the flag must be cleared in software.

Note: The CLRWDT and PWRSAV instructions clear the prescaler and postscaler counts when executed.

33.3.1 WINDOWED OPERATION

The Watchdog Timer has an optional Fixed Window mode of operation. In this Windowed mode, CLRWDT instructions can only reset the WDT during the last 1/4 of the programmed WDT period. A CLRWDT instruction executed before that window causes a WDT Reset, similar to a WDT time-out.

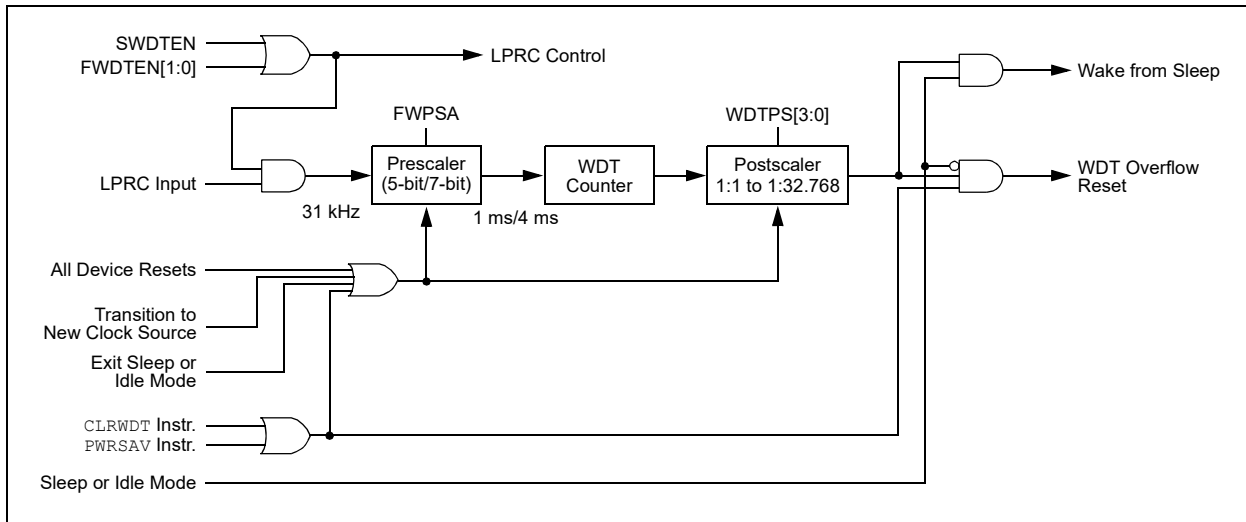
Windowed WDT mode is enabled by programming the WINDIS Configuration bit (FWDT[7]) to '0'.

33.3.2 CONTROL REGISTER

The WDT is enabled or disabled by the FWDTEN[1:0] Configuration bits. When the Configuration bits, FWDTEN[1:0] = 11, the WDT is always enabled.

The WDT can be optionally controlled in software when the Configuration bits, FWDTEN[1:0] = 10. When FWDTEN[1:0] = 00, the Watchdog Timer is always disabled. The WDT is enabled in software by setting the SWDTEN control bit (RCON[5]). The SWDTEN control bit is cleared on any device Reset. The software WDT option allows the user to enable the WDT for critical code segments and disable the WDT during non-critical segments for maximum power savings.

FIGURE 33-2: WDT BLOCK DIAGRAM



PIC24FJ256GA412/GB412 FAMILY

33.4 Code Protection and CodeGuard™ Security

To help protect individual intellectual property in software applications, PIC24FJ256GA412/GB412 family devices offer an intermediate implementation of CodeGuard Security. This version implements the following features:

- General Segment (GS) security
- Boot Segment (BS) security, including boot block resizing protection
- Configuration Segment (CS) security
- Separately configurable write protection for all segments
- Enhanced features for Dual Partition applications

Security features are controlled by the FSEC and FBSLIM registers. The Boot Segment (BS) is the higher privileged segment and the General Segment (GS) is the lower privileged segment. The total user code memory can be split into BS or GS. The size of the segments is determined by BSLIM[12:0]. The relative location of the segments within user space does not change, such that BS (if present) occupies the memory area just after the Interrupt Vector Table (IVT), and the GS occupies the space just after the BS (or if the Alternate IVT is enabled, just after it).

The Configuration Segment (or CS) is a small segment (less than a page, typically just one row) within user Flash address space. It contains all user configuration data that are loaded by the NVM Controller during the Reset sequence.

Refer to “CodeGuard™ Intermediate Security” (www.microchip.com/DS70005182) in the “dsPIC33/PIC24 Family Reference Manual” for further information on usage, configuration and operation of CodeGuard Security.

33.4.1 CONFIGURATION REGISTER PROTECTION

The Configuration registers are protected against inadvertent or unwanted changes, or reads in two ways. The primary protection method is the same as that of the RP registers – shadow registers contain a complimentary value which is constantly compared with the actual value.

To safeguard against unpredictable events, Configuration bit changes resulting from individual cell-level disruptions (such as ESD events) will cause a parity error and trigger a device Reset.

The data for the Configuration registers are derived from the Flash Configuration Words in program memory. When the configuration security is enabled, the source data for device configuration are protected.

33.5 JTAG Interface

PIC24FJ256GA412/GB412 family devices implement a JTAG interface, which supports boundary scan device testing.

33.6 In-Circuit Serial Programming

PIC24FJ256GA412/GB412 family microcontrollers can be serially programmed while in the end application circuit. This is simply done with two lines for clock (PGECx) and data (PGEDx), and three other lines for power (VDD), ground (VSS) and MCLR. This allows customers to manufacture boards with unprogrammed devices and then program the microcontroller just before shipping the product. This also allows the most recent firmware or a custom firmware to be programmed.

33.7 In-Circuit Debugger

When MPLAB® ICD 3 is selected as a debugger, the in-circuit debugging functionality is enabled. This function allows simple debugging functions when used with MPLAB IDE. Debugging functionality is controlled through the PGECx (Emulation/Debug Clock) and PGEDx (Emulation/Debug Data) pins.

To use the in-circuit debugger function of the device, the design must implement ICSP™ connections to MCLR, VDD, VSS and the PGECx/PGEDx pin pair, designated by the ICSx Configuration bits. In addition, when the feature is enabled, some of the resources are not available for general use. These resources include the first 80 bytes of data RAM and two I/O pins.

PIC24FJ256GA412/GB412 FAMILY

NOTES:

PIC24FJ256GA412/GB412 FAMILY

34.0 DEVELOPMENT SUPPORT

Move a design from concept to production in record time with Microchip's award-winning development tools. Microchip tools work together to provide state of the art debugging for any project with easy-to-use Graphical User Interfaces (GUIs) in our free MPLAB[®] X and Atmel Studio Integrated Development Environments (IDEs), and our code generation tools. Providing the ultimate ease-of-use experience, Microchip's line of programmers, debuggers and emulators work seamlessly with our software tools. Microchip development boards help evaluate the best silicon device for an application, while our line of third party tools round out our comprehensive development tool solutions.

Microchip's MPLAB X and Atmel Studio ecosystems provide a variety of embedded design tools to consider, which support multiple devices, such as PIC[®] MCUs, AVR[®] MCUs, SAM MCUs and dsPIC[®] DSCs. MPLAB X tools are compatible with Windows[®], Linux[®] and Mac[®] operating systems while Atmel Studio tools are compatible with Windows.

Go to the following website for more information and details:

<https://www.microchip.com/development-tools/>

PIC24FJ256GA412/GB412 FAMILY

NOTES:

PIC24FJ256GA412/GB412 FAMILY

35.0 INSTRUCTION SET SUMMARY

Note: This chapter is a brief summary of the PIC24F Instruction Set Architecture (ISA) and is not intended to be a comprehensive reference source.

The PIC24F instruction set adds many enhancements to the previous PIC[®] MCU instruction sets, while maintaining an easy migration from previous PIC MCU instruction sets. Most instructions are a single program memory word. Only three instructions require two program memory locations.

Each single-word instruction is a 24-bit word divided into an 8-bit opcode, which specifies the instruction type and one or more operands, which further specify the operation of the instruction. The instruction set is highly orthogonal and is grouped into four basic categories:

- Word or byte-oriented operations
- Bit-oriented operations
- Literal operations
- Control operations

Table 35-1 shows the general symbols used in describing the instructions. The PIC24F instruction set summary in Table 35-2 lists all the instructions, along with the status flags affected by each instruction.

Most word or byte-oriented W register instructions (including barrel shift instructions) have three operands:

- The first source operand, which is typically a register, 'Wb', without any address modifier
- The second source operand, which is typically a register, 'Ws', with or without an address modifier
- The destination of the result, which is typically a register, 'Wd', with or without an address modifier

However, word or byte-oriented file register instructions have two operands:

- The file register specified by the value, 'f'
- The destination, which could either be the file register, 'f', or the W0 register, which is denoted as 'WREG'

Most bit-oriented instructions (including simple rotate/shift instructions) have two operands:

- The W register (with or without an address modifier) or file register (specified by the value of 'Ws' or 'f')
- The bit in the W register or file register (specified by a literal value or indirectly by the contents of register, 'Wb')

The literal instructions that involve data movement may use some of the following operands:

- A literal value to be loaded into a W register or file register (specified by the value of 'k')
- The W register or file register where the literal value is to be loaded (specified by 'Wb' or 'f')

However, literal instructions that involve arithmetic or logical operations use some of the following operands:

- The first source operand, which is a register, 'Wb', without any address modifier
- The second source operand, which is a literal value
- The destination of the result (only if not the same as the first source operand), which is typically a register, 'Wd', with or without an address modifier

The control instructions may use some of the following operands:

- A program memory address
- The mode of the Table Read and Table Write instructions

All instructions are a single word, except for certain double-word instructions, which were made double-word instructions so that all the required information is available in these 48 bits. In the second word, the 8 MSBs are '0's. If this second word is executed as an instruction (by itself), it will execute as a NOP.

Most single-word instructions are executed in a single instruction cycle, unless a conditional test is true or the Program Counter is changed as a result of the instruction. In these cases, the execution takes two instruction cycles, with the additional instruction cycle(s) executed as a NOP. Notable exceptions are the BRA (unconditional/computed branch), indirect CALL/GOTO, all Table Reads and Writes, and RETURN/RETFIE instructions, which are single-word instructions but take two or three cycles.

Certain instructions that involve skipping over the subsequent instruction require either two or three cycles if the skip is performed, depending on whether the instruction being skipped is a single-word or two-word instruction. Moreover, double-word moves require two cycles. The double-word instructions execute in two instruction cycles.

PIC24FJ256GA412/GB412 FAMILY

TABLE 35-1: SYMBOLS USED IN OPCODE DESCRIPTIONS

Field	Description
#text	Means literal defined by “text”
(text)	Means “content of text”
[text]	Means “the location addressed by text”
{ }	Optional field or operation
[n:m]	Register bit field
.b	Byte mode selection
.d	Double-Word mode selection
.S	Shadow register select
.w	Word mode selection (default)
bit4	4-bit Bit Selection field (used in word addressed instructions) $\in \{0...15\}$
C, DC, N, OV, Z	MCU Status bits: Carry, Digit Carry, Negative, Overflow, Sticky Zero
Expr	Absolute address, label or expression (resolved by the linker)
f	File register address $\in \{0000h...1FFFh\}$
lit1	1-bit unsigned literal $\in \{0,1\}$
lit4	4-bit unsigned literal $\in \{0...15\}$
lit5	5-bit unsigned literal $\in \{0...31\}$
lit8	8-bit unsigned literal $\in \{0...255\}$
lit10	10-bit unsigned literal $\in \{0...255\}$ for Byte mode, $\{0:1023\}$ for Word mode
lit14	14-bit unsigned literal $\in \{0...16383\}$
lit16	16-bit unsigned literal $\in \{0...65535\}$
lit23	23-bit unsigned literal $\in \{0...8388607\}$; LSB must be ‘0’
None	Field does not require an entry, may be blank
PC	Program Counter
Slit10	10-bit signed literal $\in \{-512...511\}$
Slit16	16-bit signed literal $\in \{-32768...32767\}$
Slit6	6-bit signed literal $\in \{-16...16\}$
Wb	Base W register $\in \{W0..W15\}$
Wd	Destination W register $\in \{Wd, [Wd], [Wd++] , [Wd--], [++Wd], [--Wd] \}$
Wdo	Destination W register $\in \{Wnd, [Wnd], [Wnd++] , [Wnd--], [++Wnd], [--Wnd], [Wnd+Wb] \}$
Wm,Wn	Dividend, Divisor Working register pair (direct addressing)
Wn	One of 16 Working registers $\in \{W0..W15\}$
Wnd	One of 16 Destination Working registers $\in \{W0..W15\}$
Wns	One of 16 Source Working registers $\in \{W0..W15\}$
WREG	W0 (Working register used in file register instructions)
Ws	Source W register $\in \{Ws, [Ws], [Ws++] , [Ws--], [++Ws], [--Ws] \}$
Wso	Source W register $\in \{Wns, [Wns], [Wns++] , [Wns--], [++Wns], [--Wns], [Wns+Wb] \}$

PIC24FJ256GA412/GB412 FAMILY

TABLE 35-2: INSTRUCTION SET OVERVIEW

Assembly Mnemonic	Assembly Syntax	Description	# of Words	# of Cycles	Status Flags Affected
ADD	ADD <i>f</i>	$f = f + WREG$	1	1	C, DC, N, OV, Z
	ADD <i>f</i> , <i>WREG</i>	$WREG = f + WREG$	1	1	C, DC, N, OV, Z
	ADD #lit10, <i>Wn</i>	$Wd = lit10 + Wd$	1	1	C, DC, N, OV, Z
	ADD <i>Wb</i> , <i>Ws</i> , <i>Wd</i>	$Wd = Wb + Ws$	1	1	C, DC, N, OV, Z
	ADD <i>Wb</i> , #lit5, <i>Wd</i>	$Wd = Wb + lit5$	1	1	C, DC, N, OV, Z
ADDC	ADDC <i>f</i>	$f = f + WREG + (C)$	1	1	C, DC, N, OV, Z
	ADDC <i>f</i> , <i>WREG</i>	$WREG = f + WREG + (C)$	1	1	C, DC, N, OV, Z
	ADDC #lit10, <i>Wn</i>	$Wd = lit10 + Wd + (C)$	1	1	C, DC, N, OV, Z
	ADDC <i>Wb</i> , <i>Ws</i> , <i>Wd</i>	$Wd = Wb + Ws + (C)$	1	1	C, DC, N, OV, Z
	ADDC <i>Wb</i> , #lit5, <i>Wd</i>	$Wd = Wb + lit5 + (C)$	1	1	C, DC, N, OV, Z
AND	AND <i>f</i>	$f = f .AND. WREG$	1	1	N, Z
	AND <i>f</i> , <i>WREG</i>	$WREG = f .AND. WREG$	1	1	N, Z
	AND #lit10, <i>Wn</i>	$Wd = lit10 .AND. Wd$	1	1	N, Z
	AND <i>Wb</i> , <i>Ws</i> , <i>Wd</i>	$Wd = Wb .AND. Ws$	1	1	N, Z
	AND <i>Wb</i> , #lit5, <i>Wd</i>	$Wd = Wb .AND. lit5$	1	1	N, Z
ASR	ASR <i>f</i>	$f = \text{Arithmetic Right Shift } f$	1	1	C, N, OV, Z
	ASR <i>f</i> , <i>WREG</i>	$WREG = \text{Arithmetic Right Shift } f$	1	1	C, N, OV, Z
	ASR <i>Ws</i> , <i>Wd</i>	$Wd = \text{Arithmetic Right Shift } Ws$	1	1	C, N, OV, Z
	ASR <i>Wb</i> , <i>Wns</i> , <i>Wnd</i>	$Wnd = \text{Arithmetic Right Shift } Wb \text{ by } Wns$	1	1	N, Z
	ASR <i>Wb</i> , #lit5, <i>Wnd</i>	$Wnd = \text{Arithmetic Right Shift } Wb \text{ by } lit5$	1	1	N, Z
BCLR	BCLR <i>f</i> , #bit4	Bit Clear <i>f</i>	1	1	None
	BCLR <i>Ws</i> , #bit4	Bit Clear <i>Ws</i>	1	1	None
BRA	BRA <i>C</i> , <i>Expr</i>	Branch if Carry	1	1 (2)	None
	BRA <i>GE</i> , <i>Expr</i>	Branch if Greater Than or Equal	1	1 (2)	None
	BRA <i>GEU</i> , <i>Expr</i>	Branch if Unsigned Greater Than or Equal	1	1 (2)	None
	BRA <i>GT</i> , <i>Expr</i>	Branch if Greater Than	1	1 (2)	None
	BRA <i>GTU</i> , <i>Expr</i>	Branch if Unsigned Greater Than	1	1 (2)	None
	BRA <i>LE</i> , <i>Expr</i>	Branch if Less Than or Equal	1	1 (2)	None
	BRA <i>LEU</i> , <i>Expr</i>	Branch if Unsigned Less Than or Equal	1	1 (2)	None
	BRA <i>LT</i> , <i>Expr</i>	Branch if Less Than	1	1 (2)	None
	BRA <i>LTU</i> , <i>Expr</i>	Branch if Unsigned Less Than	1	1 (2)	None
	BRA <i>N</i> , <i>Expr</i>	Branch if Negative	1	1 (2)	None
	BRA <i>NC</i> , <i>Expr</i>	Branch if Not Carry	1	1 (2)	None
	BRA <i>NN</i> , <i>Expr</i>	Branch if Not Negative	1	1 (2)	None
	BRA <i>NOV</i> , <i>Expr</i>	Branch if Not Overflow	1	1 (2)	None
	BRA <i>NZ</i> , <i>Expr</i>	Branch if Not Zero	1	1 (2)	None
	BRA <i>OV</i> , <i>Expr</i>	Branch if Overflow	1	1 (2)	None
	BRA <i>Expr</i>	Branch Unconditionally	1	2	None
	BRA <i>Z</i> , <i>Expr</i>	Branch if Zero	1	1 (2)	None
	BRA <i>Wn</i>	Computed Branch	1	2	None
BSET	BSET <i>f</i> , #bit4	Bit Set <i>f</i>	1	1	None
	BSET <i>Ws</i> , #bit4	Bit Set <i>Ws</i>	1	1	None
BSW	BSW.C <i>Ws</i> , <i>Wb</i>	Write <i>C</i> bit to <i>Ws</i> [<i>Wb</i>]	1	1	None
	BSW.Z <i>Ws</i> , <i>Wb</i>	Write <i>Z</i> bit to <i>Ws</i> [<i>Wb</i>]	1	1	None
BTG	BTG <i>f</i> , #bit4	Bit Toggle <i>f</i>	1	1	None
	BTG <i>Ws</i> , #bit4	Bit Toggle <i>Ws</i>	1	1	None
BTSC	BTSC <i>f</i> , #bit4	Bit Test <i>f</i> , Skip if Clear	1	1 (2 or 3)	None
	BTSC <i>Ws</i> , #bit4	Bit Test <i>Ws</i> , Skip if Clear	1	1 (2 or 3)	None

PIC24FJ256GA412/GB412 FAMILY

TABLE 35-2: INSTRUCTION SET OVERVIEW (CONTINUED)

Assembly Mnemonic	Assembly Syntax	Description	# of Words	# of Cycles	Status Flags Affected
BTSS	BTSS f, #bit4	Bit Test f, Skip if Set	1	1 (2 or 3)	None
	BTSS Ws, #bit4	Bit Test Ws, Skip if Set	1	1 (2 or 3)	None
BTST	BTST f, #bit4	Bit Test f	1	1	Z
	BTST.C Ws, #bit4	Bit Test Ws to C	1	1	C
	BTST.Z Ws, #bit4	Bit Test Ws to Z	1	1	Z
	BTST.C Ws, Wb	Bit Test Ws[Wb] to C	1	1	C
	BTST.Z Ws, Wb	Bit Test Ws[Wb] to Z	1	1	Z
BTSTS	BTSTS f, #bit4	Bit Test then Set f	1	1	Z
	BTSTS.C Ws, #bit4	Bit Test Ws to C, then Set	1	1	C
	BTSTS.Z Ws, #bit4	Bit Test Ws to Z, then Set	1	1	Z
BTSWP	BTSWP	Swap Active and Inactive Flash Address Spaces	1	1	None
CALL	CALL lit23	Call Subroutine	2	2	None
	CALL Wn	Call Indirect Subroutine	1	2	None
CLR	CLR f	f = 0x0000	1	1	None
	CLR WREG	WREG = 0x0000	1	1	None
	CLR Ws	Ws = 0x0000	1	1	None
CLRWDT	CLRWDT	Clear Watchdog Timer	1	1	WDTO, SLEEP
COM	COM f	f = \bar{f}	1	1	N, Z
	COM f, WREG	WREG = \bar{f}	1	1	N, Z
	COM Ws, Wd	Wd = \overline{Ws}	1	1	N, Z
CP	CP f	Compare f with WREG	1	1	C, DC, N, OV, Z
	CP Wb, #lit5	Compare Wb with lit5	1	1	C, DC, N, OV, Z
	CP Wb, Ws	Compare Wb with Ws (Wb – Ws)	1	1	C, DC, N, OV, Z
CP0	CP0 f	Compare f with 0x0000	1	1	C, DC, N, OV, Z
	CP0 Ws	Compare Ws with 0x0000	1	1	C, DC, N, OV, Z
CPB	CPB f	Compare f with WREG, with Borrow	1	1	C, DC, N, OV, Z
	CPB Wb, #lit5	Compare Wb with lit5, with Borrow	1	1	C, DC, N, OV, Z
	CPB Wb, Ws	Compare Wb with Ws, with Borrow (Wb – Ws – C)	1	1	C, DC, N, OV, Z
CPSEQ	CPSEQ Wb, Wn	Compare Wb with Wn, Skip if =	1	1 (2 or 3)	None
CPSGT	CPSGT Wb, Wn	Compare Wb with Wn, Skip if >	1	1 (2 or 3)	None
CPSLT	CPSLT Wb, Wn	Compare Wb with Wn, Skip if <	1	1 (2 or 3)	None
CPSNE	CPSNE Wb, Wn	Compare Wb with Wn, Skip if ≠	1	1 (2 or 3)	None
DAW	DAW.B Wn	Wn = Decimal Adjust Wn	1	1	C
DEC	DEC f	f = f – 1	1	1	C, DC, N, OV, Z
	DEC f, WREG	WREG = f – 1	1	1	C, DC, N, OV, Z
	DEC Ws, Wd	Wd = Ws – 1	1	1	C, DC, N, OV, Z
DEC2	DEC2 f	f = f – 2	1	1	C, DC, N, OV, Z
	DEC2 f, WREG	WREG = f – 2	1	1	C, DC, N, OV, Z
	DEC2 Ws, Wd	Wd = Ws – 2	1	1	C, DC, N, OV, Z
DISI	DISI #lit14	Disable Interrupts for k Instruction Cycles	1	1	None
DIV	DIV.SW Wm, Wn	Signed 16/16-bit Integer Divide	1	18	N, Z, C, OV
	DIV.SD Wm, Wn	Signed 32/16-bit Integer Divide	1	18	N, Z, C, OV
	DIV.UW Wm, Wn	Unsigned 16/16-bit Integer Divide	1	18	N, Z, C, OV
	DIV.UD Wm, Wn	Unsigned 32/16-bit Integer Divide	1	18	N, Z, C, OV
EXCH	EXCH Wns, Wnd	Swap Wns with Wnd	1	1	None
FF1L	FF1L Ws, Wnd	Find First One from Left (MSb) Side	1	1	C
FF1R	FF1R Ws, Wnd	Find First One from Right (LSb) Side	1	1	C

PIC24FJ256GA412/GB412 FAMILY

TABLE 35-2: INSTRUCTION SET OVERVIEW (CONTINUED)

Assembly Mnemonic	Assembly Syntax	Description	# of Words	# of Cycles	Status Flags Affected
GOTO	GOTO Expr	Go to Address	2	2	None
	GOTO Wn	Go to Indirect	1	2	None
INC	INC f	$f = f + 1$	1	1	C, DC, N, OV, Z
	INC f, WREG	WREG = $f + 1$	1	1	C, DC, N, OV, Z
	INC Ws, Wd	Wd = Ws + 1	1	1	C, DC, N, OV, Z
INC2	INC2 f	$f = f + 2$	1	1	C, DC, N, OV, Z
	INC2 f, WREG	WREG = $f + 2$	1	1	C, DC, N, OV, Z
	INC2 Ws, Wd	Wd = Ws + 2	1	1	C, DC, N, OV, Z
IOR	IOR f	$f = f .IOR. WREG$	1	1	N, Z
	IOR f, WREG	WREG = $f .IOR. WREG$	1	1	N, Z
	IOR #lit10, Wn	Wd = lit10 .IOR. Wd	1	1	N, Z
	IOR Wb, Ws, Wd	Wd = Wb .IOR. Ws	1	1	N, Z
	IOR Wb, #lit5, Wd	Wd = Wb .IOR. lit5	1	1	N, Z
LNK	LNK #lit14	Link Frame Pointer	1	1	None
LSR	LSR f	f = Logical Right Shift f	1	1	C, N, OV, Z
	LSR f, WREG	WREG = Logical Right Shift f	1	1	C, N, OV, Z
	LSR Ws, Wd	Wd = Logical Right Shift Ws	1	1	C, N, OV, Z
	LSR Wb, Wns, Wnd	Wnd = Logical Right Shift Wb by Wns	1	1	N, Z
	LSR Wb, #lit5, Wnd	Wnd = Logical Right Shift Wb by lit5	1	1	N, Z
MOV	MOV f, Wn	Move f to Wn	1	1	None
	MOV [Wns+Slit10], Wnd	Move [Wns+Slit10] to Wnd	1	1	None
	MOV f	Move f to f	1	1	N, Z
	MOV f, WREG	Move f to WREG	1	1	N, Z
	MOV #lit16, Wn	Move 16-bit Literal to Wn	1	1	None
	MOV.b #lit8, Wn	Move 8-bit Literal to Wn	1	1	None
	MOV Wn, f	Move Wn to f	1	1	None
	MOV Wns, [Wns+Slit10]	Move Wns to [Wns+Slit10]	1	1	
	MOV Wso, Wdo	Move Ws to Wd	1	1	None
	MOV WREG, f	Move WREG to f	1	1	N, Z
	MOV.D Wns, Wd	Move Double from W(ns):W(ns+1) to Wd	1	2	None
	MOV.D Ws, Wnd	Move Double from Ws to W(nd+1):W(nd)	1	2	None
MUL	MUL.SS Wb, Ws, Wnd	{Wnd+1, Wnd} = Signed(Wb) * Signed(Ws)	1	1	None
	MUL.SU Wb, Ws, Wnd	{Wnd+1, Wnd} = Signed(Wb) * Unsigned(Ws)	1	1	None
	MUL.US Wb, Ws, Wnd	{Wnd+1, Wnd} = Unsigned(Wb) * Signed(Ws)	1	1	None
	MUL.UU Wb, Ws, Wnd	{Wnd+1, Wnd} = Unsigned(Wb) * Unsigned(Ws)	1	1	None
	MUL.SU Wb, #lit5, Wnd	{Wnd+1, Wnd} = Signed(Wb) * Unsigned(lit5)	1	1	None
	MUL.UU Wb, #lit5, Wnd	{Wnd+1, Wnd} = Unsigned(Wb) * Unsigned(lit5)	1	1	None
	MUL f	W3:W2 = $f * WREG$	1	1	None
NEG	NEG f	$f = \bar{f} + 1$	1	1	C, DC, N, OV, Z
	NEG f, WREG	WREG = $\bar{f} + 1$	1	1	C, DC, N, OV, Z
	NEG Ws, Wd	Wd = $\overline{Ws} + 1$	1	1	C, DC, N, OV, Z
NOP	NOP	No Operation	1	1	None
	NOPR	No Operation	1	1	None
POP	POP f	Pop f from Top-of-Stack (TOS)	1	1	None
	POP Wdo	Pop from Top-of-Stack (TOS) to Wdo	1	1	None
	POP.D Wnd	Pop from Top-of-Stack (TOS) to W(nd):W(nd+1)	1	2	None
	POP.S	Pop Shadow Registers	1	1	All
PUSH	PUSH f	Push f to Top-of-Stack (TOS)	1	1	None
	PUSH Wso	Push Wso to Top-of-Stack (TOS)	1	1	None
	PUSH.D Wns	Push W(ns):W(ns+1) to Top-of-Stack (TOS)	1	2	None
	PUSH.S	Push Shadow Registers	1	1	None

PIC24FJ256GA412/GB412 FAMILY

TABLE 35-2: INSTRUCTION SET OVERVIEW (CONTINUED)

Assembly Mnemonic	Assembly Syntax	Description	# of Words	# of Cycles	Status Flags Affected
PWRSV	PWRSV #lit1	Go into Sleep or Idle mode	1	1	WDTO, SLEEP
RCALL	RCALL Expr	Relative Call	1	2	None
	RCALL Wn	Computed Call	1	2	None
REPEAT	REPEAT #lit14	Repeat Next Instruction lit14 + 1 Times	1	1	None
	REPEAT Wn	Repeat Next Instruction (Wn) + 1 Times	1	1	None
RESET	RESET	Software Device Reset	1	1	None
RETFIE	RETFIE	Return from Interrupt	1	3 (2)	None
RETLW	RETLW #lit10,Wn	Return with Literal in Wn	1	3 (2)	None
RETURN	RETURN	Return from Subroutine	1	3 (2)	None
RLC	RLC f	f = Rotate Left through Carry f	1	1	C, N, Z
	RLC f, WREG	WREG = Rotate Left through Carry f	1	1	C, N, Z
	RLC Ws, Wd	Wd = Rotate Left through Carry Ws	1	1	C, N, Z
RLNC	RLNC f	f = Rotate Left (No Carry) f	1	1	N, Z
	RLNC f, WREG	WREG = Rotate Left (No Carry) f	1	1	N, Z
	RLNC Ws, Wd	Wd = Rotate Left (No Carry) Ws	1	1	N, Z
RRC	RRC f	f = Rotate Right through Carry f	1	1	C, N, Z
	RRC f, WREG	WREG = Rotate Right through Carry f	1	1	C, N, Z
	RRC Ws, Wd	Wd = Rotate Right through Carry Ws	1	1	C, N, Z
RRNC	RRNC f	f = Rotate Right (No Carry) f	1	1	N, Z
	RRNC f, WREG	WREG = Rotate Right (No Carry) f	1	1	N, Z
	RRNC Ws, Wd	Wd = Rotate Right (No Carry) Ws	1	1	N, Z
SE	SE Ws, Wnd	Wnd = Sign-Extended Ws	1	1	C, N, Z
SETM	SETM f	f = FFFFh	1	1	None
	SETM WREG	WREG = FFFFh	1	1	None
	SETM Ws	Ws = FFFFh	1	1	None
SL	SL f	f = Left Shift f	1	1	C, N, OV, Z
	SL f, WREG	WREG = Left Shift f	1	1	C, N, OV, Z
	SL Ws, Wd	Wd = Left Shift Ws	1	1	C, N, OV, Z
	SL Wb, Wns, Wnd	Wnd = Left Shift Wb by Wns	1	1	N, Z
	SL Wb, #lit5, Wnd	Wnd = Left Shift Wb by lit5	1	1	N, Z
SUB	SUB f	f = f - WREG	1	1	C, DC, N, OV, Z
	SUB f, WREG	WREG = f - WREG	1	1	C, DC, N, OV, Z
	SUB #lit10, Wn	Wn = Wn - lit10	1	1	C, DC, N, OV, Z
	SUB Wb, Ws, Wd	Wd = Wb - Ws	1	1	C, DC, N, OV, Z
	SUB Wb, #lit5, Wd	Wd = Wb - lit5	1	1	C, DC, N, OV, Z
SUBB	SUBB f	f = f - WREG - (\overline{C})	1	1	C, DC, N, OV, Z
	SUBB f, WREG	WREG = f - WREG - (\overline{C})	1	1	C, DC, N, OV, Z
	SUBB #lit10, Wn	Wn = Wn - lit10 - (\overline{C})	1	1	C, DC, N, OV, Z
	SUBB Wb, Ws, Wd	Wd = Wb - Ws - (\overline{C})	1	1	C, DC, N, OV, Z
	SUBB Wb, #lit5, Wd	Wd = Wb - lit5 - (\overline{C})	1	1	C, DC, N, OV, Z
SUBR	SUBR f	f = WREG - f	1	1	C, DC, N, OV, Z
	SUBR f, WREG	WREG = WREG - f	1	1	C, DC, N, OV, Z
	SUBR Wb, Ws, Wd	Wd = Ws - Wb	1	1	C, DC, N, OV, Z
	SUBR Wb, #lit5, Wd	Wd = lit5 - Wb	1	1	C, DC, N, OV, Z
SUBBR	SUBBR f	f = WREG - f - (\overline{C})	1	1	C, DC, N, OV, Z
	SUBBR f, WREG	WREG = WREG - f - (\overline{C})	1	1	C, DC, N, OV, Z
	SUBBR Wb, Ws, Wd	Wd = Ws - Wb - (\overline{C})	1	1	C, DC, N, OV, Z
	SUBBR Wb, #lit5, Wd	Wd = lit5 - Wb - (\overline{C})	1	1	C, DC, N, OV, Z
SWAP	SWAP.b Wn	Wn = Nibble Swap Wn	1	1	None
	SWAP Wn	Wn = Byte Swap Wn	1	1	None

PIC24FJ256GA412/GB412 FAMILY

TABLE 35-2: INSTRUCTION SET OVERVIEW (CONTINUED)

Assembly Mnemonic	Assembly Syntax	Description	# of Words	# of Cycles	Status Flags Affected
TBLRDH	TBLRDH <i>Ws, Wd</i>	Read Prog [23:16] to Wd[7:0]	1	2	None
TBLRDL	TBLRDL <i>Ws, Wd</i>	Read Prog[15:0] to Wd	1	2	None
TBLWTH	TBLWTH <i>Ws, Wd</i>	Write Ws[7:0] to Prog[23:16]	1	2	None
TBLWTL	TBLWTL <i>Ws, Wd</i>	Write Ws to Prog[15:0]	1	2	None
ULNK	ULNK	Unlink Frame Pointer	1	1	None
XOR	XOR <i>f</i>	$f = f .XOR. WREG$	1	1	N, Z
	XOR <i>f, WREG</i>	$WREG = f .XOR. WREG$	1	1	N, Z
	XOR <i>#lit10, Wn</i>	$Wd = lit10 .XOR. Wd$	1	1	N, Z
	XOR <i>Wb, Ws, Wd</i>	$Wd = Wb .XOR. Ws$	1	1	N, Z
	XOR <i>Wb, #lit5, Wd</i>	$Wd = Wb .XOR. lit5$	1	1	N, Z
ZE	ZE <i>Ws, Wnd</i>	Wnd = Zero-Extend Ws	1	1	C, Z, N

PIC24FJ256GA412/GB412 FAMILY

NOTES:

PIC24FJ256GA412/GB412 FAMILY

36.0 ELECTRICAL CHARACTERISTICS

This section provides an overview of the PIC24FJ256GA412/GB412 family electrical characteristics. Additional information will be provided in future revisions of this document as it becomes available.

Absolute maximum ratings for the PIC24FJ256GA412/GB412 family are listed below. Exposure to these maximum rating conditions for extended periods may affect device reliability. Functional operation of the device at these, or any other conditions above the parameters indicated in the operation listings of this specification, is not implied.

Absolute Maximum Ratings^(†)

Ambient temperature under bias	-40°C to +100°C
Storage temperature	-65°C to +150°C
Voltage on VDD with respect to VSS	-0.3V to +4.0V
Voltage on any general purpose digital or analog pin (not 5.5V tolerant) with respect to VSS	-0.3V to (VDD + 0.3V)
Voltage on any general purpose digital or analog pin (5.5V tolerant, including MCLR) with respect to VSS:	
When VDD = 0V:	-0.3V to + 4.0V
When VDD ≥ 2.0V:	-0.3V to +6.0V
Voltage on AVDD with respect to VSS	(VDD – 0.3V) to (lesser of: 4.0V or (VDD + 0.3V))
Voltage on AVSS with respect to VSS	-0.3V to +0.3V
Voltage on VBAT with respect to VSS	-0.3V to +4.0V
Voltage on VUSB3V3 with respect to VSS	(VCAP – 0.3V) to +4.0V
Voltage on VBUS with respect to VSS	-0.3V to +6.0V
Voltage on D+ or D- with respect to VSS:	
(0Ω source impedance) (Note 1)	-0.5V to (VUSB3V3 + 0.5V)
(Source Impedance ≥ 28Ω, VUSB3V3 ≥ 3.0V)	-1.0V to +4.6V
Maximum current out of VSS pin	300 mA
Maximum current into VDD pin (Note 2)	250 mA
Maximum output current sunk by any I/O pin	25 mA
Maximum output current sourced by any I/O pin	25 mA
Maximum current sunk by all ports	200 mA
Maximum current sourced by all ports (Note 2)	200 mA

Note 1: The original “USB 2.0 Specification” indicated that USB devices should withstand 24-hour short circuits of D+ or D- to VBus voltages. This requirement was later removed in an Engineering Change Notice (ECN) supplement to the USB specifications, which supersedes the original specifications.

PIC24FJ256GA412/GB412 family devices will typically be able to survive this short-circuit test, but it is recommended to adhere to the absolute maximum specified here to avoid damaging the device.

2: Maximum allowable current is a function of device maximum power dissipation (see [Table 36-1](#)).

† **NOTICE:** Stresses above those listed under “Absolute Maximum Ratings” may cause permanent damage to the device. This is a stress rating only and functional operation of the device at those or any other conditions above those indicated in the operation listings of this specification is not implied. Exposure to maximum rating conditions for extended periods may affect device reliability.

PIC24FJ256GA412/GB412 FAMILY

36.1 DC Characteristics

FIGURE 36-1: PIC24FJ256GA412/GB412 FAMILY VOLTAGE-FREQUENCY GRAPH (INDUSTRIAL)

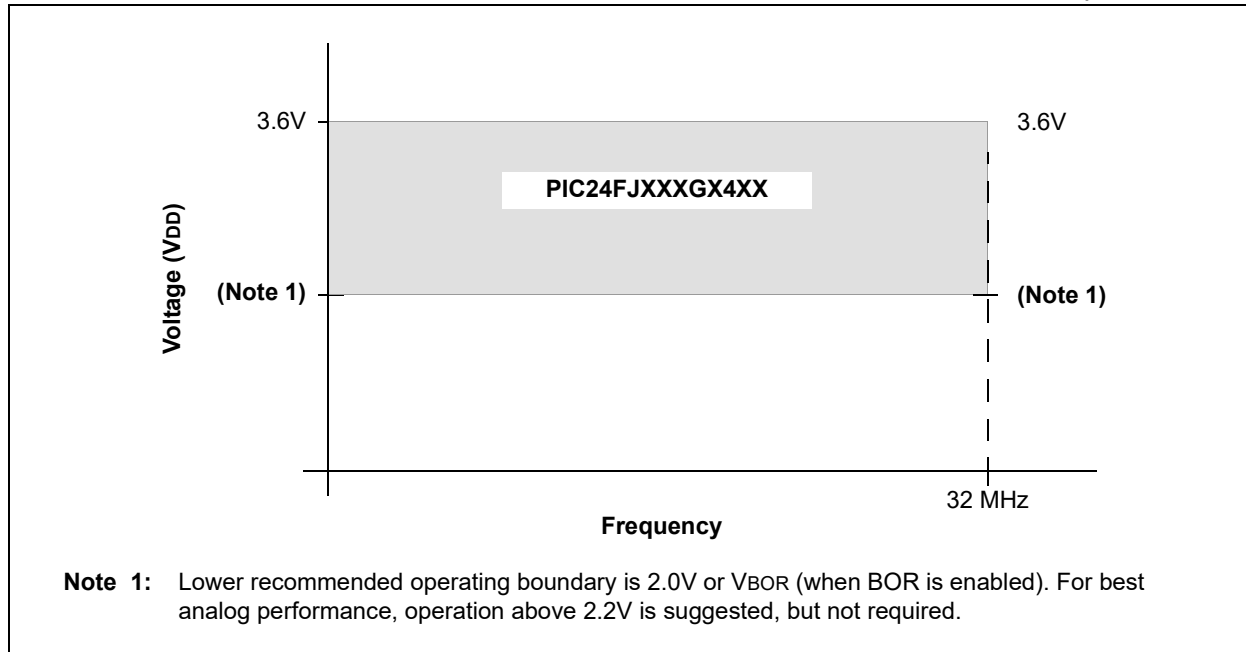


TABLE 36-1: THERMAL OPERATING CONDITIONS

Rating	Symbol	Min	Typ	Max	Unit
PIC24FJ256GA412/GB412 Family:					
Operating Junction Temperature Range	T _J	-40	—	+100	°C
Operating Ambient Temperature Range	T _A	-40	—	+85	°C
Power Dissipation: Internal Chip Power Dissipation: P _{INT} = V _{DD} x (I _{DD} - Σ I _{OH}) I/O Pin Power Dissipation: P _{I/O} = Σ ({V _{DD} - V _{OH} } x I _{OH}) + Σ (V _{OL} x I _{OL})	P _D	P _{INT} + P _{I/O}			W
Maximum Allowed Power Dissipation	P _D MAX	(T _J MAX - T _A)/θ _{JA}			W

TABLE 36-2: THERMAL PACKAGING CHARACTERISTICS

Characteristic	Symbol	Typ	Max	Unit	Note
Package Thermal Resistance, 12x12x1 mm 100-pin TQFP	θ _{JA}	45.0	—	°C/W	(Note 1)
Package Thermal Resistance, 10x10x1 mm 64-pin TQFP	θ _{JA}	48.3	—	°C/W	(Note 1)
Package Thermal Resistance, 9x9x0.9 mm 64-pin QFN	θ _{JA}	28.0	—	°C/W	(Note 1)
Package Thermal Resistance, 10x10x1.1 mm 121-pin TFBGA	θ _{JA}	40.2	—	°C/W	(Note 1)

Note 1: Junction to ambient thermal resistance, Theta-JA (θ_{JA}) numbers are achieved by package simulations.

PIC24FJ256GA412/GB412 FAMILY

TABLE 36-3: DC CHARACTERISTICS: TEMPERATURE AND VOLTAGE SPECIFICATIONS

DC CHARACTERISTICS			Standard Operating Conditions: 2.0V to 3.6V (unless otherwise stated) Operating temperature $-40^{\circ}\text{C} \leq T_A \leq +85^{\circ}\text{C}$ for Industrial				
Param No.	Symbol	Characteristic	Min	Typ	Max	Units	Conditions
Operating Voltage							
DC10	VDD	Supply Voltage	2.0	—	3.6	V	BOR disabled
			VBOR	—	3.6	V	BOR enabled
DC12	VDR	RAM Data Retention Voltage⁽¹⁾	Greater of: VPORREL or VBOR	—	—	V	VBOR used only if BOR is enabled (BOREN = 1)
DC16	VPOR	VDD Start Voltage to Ensure Internal Power-on Reset Signal	VSS	—	—	V	(Note 2)
DC16A	VPORREL	VDD Power-on Reset Release Voltage	—	1.95	—	V	(Note 3)
DC17A	SRVDD	Recommended VDD Rise Skew Rate to Ensure Internal Power-on Reset Signal	0.05	—	—	V/ms	0-3.3V in 66 ms, 0-2.5V in 50 ms (Note 2)
DC17B	VBOR	Brown-out Reset Voltage on VDD Transition, High-to-Low	—	2.2	—	V	(Note 3)

Note 1: This is the limit to which VDD may be lowered and the RAM contents will always be retained.

2: If the VPOR or SRVDD parameters are not met, or the application experiences slow power-down VDD ramp rates, it is recommended to enable and use the BOR.

3: On a rising VDD power-up sequence, application firmware execution begins at the higher of the VPORREL or VBOR level (when BOREN = 1).

PIC24FJ256GA412/GB412 FAMILY

TABLE 36-4: DC CHARACTERISTICS: OPERATING CURRENT (IDD)⁽³⁾

DC CHARACTERISTICS			Standard Operating Conditions: 2.0V to 3.6V (unless otherwise stated) Operating temperature -40°C ≤ TA ≤ +85°C for Industrial			
Parameter No.	Typical ⁽¹⁾	Max	Units	Operating Temperature	VDD	Conditions
Operating Current (IDD)⁽²⁾						
DC19	0.17	0.4	mA	-40°C to +85°C	2.0V	0.5 MIPS, Fosc = 1 MHz
	0.19	0.4	mA	-40°C to +85°C	3.3V	
DC20	0.28	0.7	mA	-40°C to +85°C	2.0V	1 MIPS, Fosc = 2 MHz
	0.31	0.7	mA	-40°C to +85°C	3.3V	
DC23	0.90	2.5	mA	-40°C to +85°C	2.0V	4 MIPS, Fosc = 8 MHz
	1.00	2.5	mA	-40°C to +85°C	3.3V	
DC24	5.13	9	mA	-40°C to +85°C	2.0V	16 MIPS, Fosc = 32 MHz
	5.28	9	mA	-40°C to +85°C	3.3V	
DC31	24.4	100	μA	-40°C to +85°C	2.0V	LPRC (15.5 KIPS), Fosc = 31 kHz
	24.5	110	μA	-40°C to +85°C	3.3V	

Note 1: Data in the “Typical” column are at 3.3V, +25°C unless otherwise stated. Typical parameters are for design guidance only and are not tested.

- 2:** The supply current is mainly a function of the operating voltage and frequency. Other factors, such as I/O pin loading and switching rate, oscillator type, internal code execution pattern and temperature, also have an impact on the current consumption. No peripheral modules are operating and all of the Peripheral Module Disable x (PMDx) bits are set.

- 3:** Due to the double-word instruction fetch process, the lowest IDD current is achieved when the BRA/GOTO instruction is aligned on an even address pair; for example, 0x00, 0x04, 0x08 and so on. The CPU should be executing:

```
while(1)
{
Nop();
// Nop(); /* add or remove second Nop(); to shift BRA/GOTO instruction alignment */
```

TABLE 36-5: DC CHARACTERISTICS: IDLE CURRENT (IDLE)

DC CHARACTERISTICS			Standard Operating Conditions: 2.0V to 3.6V (unless otherwise stated) Operating temperature -40°C ≤ TA ≤ +85°C for Industrial			
Parameter No.	Typical ⁽¹⁾	Max	Units	Operating Temperature	VDD	Conditions
Idle Current (IDLE)						
DC40	130	180	μA	-40°C to +85°C	2.0V	1 MIPS, Fosc = 2 MHz
	180	200	μA	-40°C to +85°C	3.3V	
DC43	0.33	0.7	mA	-40°C to +85°C	2.0V	4 MIPS, Fosc = 8 MHz
	0.44	0.8	mA	-40°C to +85°C	3.3V	
DC47	1.54	2.2	mA	-40°C to +85°C	2.0V	16 MIPS, Fosc = 32 MHz
	1.67	2.3	mA	-40°C to +85°C	3.3V	
DC50	0.56	0.8	mA	-40°C to +85°C	2.0V	4 MIPS (FRC), Fosc = 8 MHz
	0.56	0.9	mA	-40°C to +85°C	3.3V	
DC51	18.76	90	μA	-40°C to +85°C	2.0V	LPRC (15.5 KIPS), Fosc = 31 kHz
	19.30	100	μA	-40°C to +85°C	3.3V	

Note 1: Data in the “Typical” column are at 3.3V, +25°C unless otherwise stated. Parameters are for design guidance only and are not tested.

PIC24FJ256GA412/GB412 FAMILY

TABLE 36-6: DC CHARACTERISTICS: POWER-DOWN CURRENT (IPD)

DC CHARACTERISTICS			Standard Operating Conditions: 2.0V to 3.6V (unless otherwise stated) Operating temperature $-40^{\circ}\text{C} \leq T_A \leq +85^{\circ}\text{C}$ for Industrial			
Parameter No.	Typical ⁽¹⁾	Max	Units	Operating Temperature	VDD	Conditions
Power-Down Current (IPD)						
DC60	3.24	—	μA	-40°C	2.0V	Sleep ⁽²⁾
	4.08	22	μA	$+25^{\circ}\text{C}$		
	7.81	—	μA	$+60^{\circ}\text{C}$		
	23.25	40	μA	$+85^{\circ}\text{C}$		
	3.20	—	μA	-40°C	3.3V	
	4.07	25	μA	$+25^{\circ}\text{C}$		
	7.94	—	μA	$+60^{\circ}\text{C}$		
	19.85	42	μA	$+85^{\circ}\text{C}$		
DC61	0.07	—	μA	-40°C	2.0V	Low-Voltage Sleep ⁽³⁾
	0.63	—	μA	$+25^{\circ}\text{C}$		
	3.54	—	μA	$+60^{\circ}\text{C}$		
	15.30	—	μA	$+85^{\circ}\text{C}$		
	0.10	—	μA	-40°C	3.3V	
	0.63	—	μA	$+25^{\circ}\text{C}$		
	3.68	—	μA	$+60^{\circ}\text{C}$		
	15.65	—	μA	$+85^{\circ}\text{C}$		
DC70	120	—	nA	-40°C	2.0V	Deep Sleep, capacitor on VCAP is fully discharged
	80	800	nA	$+25^{\circ}\text{C}$		
	620	—	nA	$+60^{\circ}\text{C}$		
	1.13	5	μA	$+85^{\circ}\text{C}$		
	110	—	nA	-40°C	3.3V	
	110	1500	nA	$+25^{\circ}\text{C}$		
	830	—	nA	$+60^{\circ}\text{C}$		
	3.67	10	μA	$+85^{\circ}\text{C}$		
DC74	0.6	3	μA	-40°C to $+85^{\circ}\text{C}$	0V	RTCC with VBAT mode (LPRC/SOSC) ⁽⁴⁾

Note 1: Data in the “Typical” column are at 3.3V, $+25^{\circ}\text{C}$ unless otherwise stated. Parameters are for design guidance only and are not tested.

2: The low-voltage/retention regulator is disabled; RETEN (RCON[12]) = 0, $\overline{\text{LPCFG}}$ (FPOR[2]) = 1.

3: The low-voltage/retention regulator is enabled; RETEN (RCON[12]) = 1, $\overline{\text{LPCFG}}$ (FPOR[2]) = 0.

4: The VBAT pin is connected to the battery and RTCC is running with VDD = 0.

PIC24FJ256GA412/GB412 FAMILY

TABLE 36-7: DC CHARACTERISTICS: Δ CURRENT (BOR, WDT, HLVD, RTCC, DSBOR, DSWDT, LCD)

DC CHARACTERISTICS			Standard Operating Conditions: 2.0V to 3.6V (unless otherwise stated) Operating temperature $-40^{\circ}\text{C} \leq T_A \leq +85^{\circ}\text{C}$ for Industrial			
Parameter No.	Typical ⁽¹⁾	Max	Units	Operating Temperature	VDD	Conditions
Incremental Current Brown-out Reset (ΔBOR)⁽²⁾						
DC25	4	8	μA	-40°C to $+85^{\circ}\text{C}$	V_{BOR}	Δ BOR ⁽²⁾
	4	8	μA	-40°C to $+85^{\circ}\text{C}$	3.3V	
Incremental Current Watchdog Timer (ΔWDT)⁽²⁾						
DC71	0.15	2	μA	-40°C to $+85^{\circ}\text{C}$	2.0V	Δ WDT (with LPRC selected) ⁽²⁾
	0.24	2	μA	-40°C to $+85^{\circ}\text{C}$	3.3V	
Incremental Current HLVD (ΔHLVD)⁽²⁾						
DC75	3.8	25	μA	-40°C to $+85^{\circ}\text{C}$	2.0V	Δ HLVD ⁽²⁾
	3.8	25	μA	-40°C to $+85^{\circ}\text{C}$	3.3V	
Incremental Current Real-Time Clock and Calendar (ΔRTCC)⁽²⁾						
DC77	0.17	2.5	μA	-40°C to $+85^{\circ}\text{C}$	2.0V	Δ RTCC (with SOSC) ⁽²⁾
	0.17	2.5	μA	-40°C to $+85^{\circ}\text{C}$	3.3V	
DC77A	0.55	2.5	μA	-40°C to $+85^{\circ}\text{C}$	2.0V	Δ RTCC (with LPRC) ⁽²⁾
	0.55	2.5	μA	-40°C to $+85^{\circ}\text{C}$	3.3V	
Incremental Current Deep Sleep BOR (ΔDSBOR)⁽²⁾						
DC81	0.1	0.9	μA	-40°C to $+85^{\circ}\text{C}$	2.0V	Δ Deep Sleep BOR ⁽²⁾
	0.1	0.9	μA	-40°C to $+85^{\circ}\text{C}$	3.3V	
Incremental Current Deep Sleep Watchdog Timer (ΔDSWDT)⁽²⁾						
DC80	0.1	0.9	μA	-40°C to $+85^{\circ}\text{C}$	2.0V	Δ Deep Sleep WDT ⁽²⁾
	0.1	0.9	μA	-40°C to $+85^{\circ}\text{C}$	3.3V	
VBAT A/D Monitor⁽⁵⁾						
DC91	2	—	μA	-40°C to $+85^{\circ}\text{C}$	3.3V	$V_{\text{BAT}} = 2\text{V}$
	5	—	μA	-40°C to $+85^{\circ}\text{C}$	3.3V	$V_{\text{BAT}} = 3.3\text{V}$
Incremental Current LCD (ΔLCD)						
DC82	5	—	μA	$+25^{\circ}\text{C}$	2.0V	$(\Delta$ LCD)/LCD internal, 1/8 MUX, 1/3 bias ^(2,4)
	5	—	μA	$+25^{\circ}\text{C}$	3.3V	
DC90	100	—	μA	$+25^{\circ}\text{C}$	2.0V	$(\Delta$ LCD)/LCD charge pump, 1/8 MUX, 1/3 bias ^(2,3)
	6	—	μA	$+25^{\circ}\text{C}$	3.3V	

Note 1: Data in the "Typical" column are at 3.3V, $+25^{\circ}\text{C}$ unless otherwise stated. Parameters are for design guidance only and are not tested.

2: Incremental current while the module is enabled and running.

3: LCD is enabled and running, no glass is connected; the resistor ladder current is not included.

4: LCD is enabled and running, no glass is connected; the low-power resistor ladder current is included.

5: The A/D channel is connected to the VBAT pin internally; this is the current during A/D VBAT operation.

PIC24FJ256GA412/GB412 FAMILY

TABLE 36-8: DC CHARACTERISTICS: I/O PIN INPUT SPECIFICATIONS

DC CHARACTERISTICS			Standard Operating Conditions: 2.0V to 3.6V (unless otherwise stated) Operating temperature $-40^{\circ}\text{C} \leq T_A \leq +85^{\circ}\text{C}$ for Industrial				
Param No.	Sym	Characteristic	Min	Typ ⁽¹⁾	Max	Units	Conditions
	V _{IL}	Input Low Voltage⁽³⁾					
DI10		I/O Pins with ST Buffer	V _{SS}	—	0.2 V _{DD}	V	
DI11		I/O Pins with TTL Buffer	V _{SS}	—	0.15 V _{DD}	V	
DI15		$\overline{\text{MCLR}}$	V _{SS}	—	0.2 V _{DD}	V	
DI16		OSCI (XT mode)	V _{SS}	—	0.2 V _{DD}	V	
DI17		OSCI (HS mode)	V _{SS}	—	0.2 V _{DD}	V	
DI18		I/O Pins with I ² C Buffer	V _{SS}	—	0.3 V _{DD}	V	
DI19		I/O Pins with SMBus Buffer	V _{SS}	—	0.8	V	SMBus enabled
	V _{IH}	Input High Voltage⁽³⁾					
DI20		I/O Pins with ST Buffer: without 5V Tolerance	0.65 V _{DD}	—	V _{DD}	V	
		with 5V Tolerance	0.65 V _{DD}	—	5.5	V	
DI21		I/O Pins with TTL Buffer: without 5V Tolerance	0.25 V _{DD} + 0.8	—	V _{DD}	V	
		with 5V Tolerance	0.25 V _{DD} + 0.8	—	5.5	V	
DI25		$\overline{\text{MCLR}}$	0.8 V _{DD}	—	V _{DD}	V	
DI26		OSCI (XT mode)	0.7 V _{DD}	—	V _{DD}	V	
DI27		OSCI (HS mode)	0.7 V _{DD}	—	V _{DD}	V	
DI28		I/O Pins with I ² C Buffer	0.7 V _{DD}	—	5.5	V	
DI29		I/O Pins with SMBus Buffer	2.1	—	5.5	V	SMBus enabled
DI30	ICNPU	CN_x Pull-up Current	150	550	550	μA	V _{DD} = 3.3V, V _{PIN} = V _{SS}
DI30A	ICNPD	CN_x Pull-Down Current	15	150	150	μA	V _{DD} = 3.3V, V _{PIN} = V _{DD}
	I _{IL}	Input Leakage Current⁽²⁾					
DI50		I/O Ports	—	—	±1	μA	V _{SS} ≤ V _{PIN} ≤ V _{DD} , pin at high-impedance
DI51		Analog Input Pins	—	—	±1	μA	V _{SS} ≤ V _{PIN} ≤ V _{DD} , pin at high-impedance
DI55		$\overline{\text{MCLR}}$	—	—	±1	μA	V _{SS} ≤ V _{PIN} ≤ V _{DD}
DI56		OSCI/CLKI	—	—	±1	μA	V _{SS} ≤ V _{PIN} ≤ V _{DD} , EC, XT and HS modes

Note 1: Data in the “Typ” column are at 3.3V, +25°C unless otherwise stated. Parameters are for design guidance only and are not tested.

2: Negative current is defined as current sourced by the pin.

3: Refer to [Table 1-4](#) or [Table 1-5](#) for I/O pin buffer types.

PIC24FJ256GA412/GB412 FAMILY

TABLE 36-9: DC CHARACTERISTICS: I/O PIN OUTPUT SPECIFICATIONS

DC CHARACTERISTICS			Standard Operating Conditions: 2.0V to 3.6V (unless otherwise stated) Operating temperature $-40^{\circ}\text{C} \leq T_A \leq +85^{\circ}\text{C}$ for Industrial				
Param No.	Symbol	Characteristic	Min	Typ ⁽¹⁾	Max	Units	Conditions
DO10	VOL	Output Low Voltage I/O Ports	—	—	0.4	V	IOL = 6.6 mA, VDD = 3.6V
			—	—	0.4	V	IOL = 5.0 mA, VDD = 2V
DO16		OSCO/CLKO	—	—	0.4	V	IOL = 6.6 mA, VDD = 3.6V
			—	—	0.4	V	IOL = 5.0 mA, VDD = 2V
DO20	VOH	Output High Voltage I/O Ports	3.0	—	—	V	IOH = -3.0 mA, VDD = 3.6V
			2.4	—	—	V	IOH = -6.0 mA, VDD = 3.6V
			1.65	—	—	V	IOH = -1.0 mA, VDD = 2V
			1.4	—	—	V	IOH = -3.0 mA, VDD = 2V
DO26		OSCO/CLKO	2.4	—	—	V	IOH = -6.0 mA, VDD = 3.6V
			1.4	—	—	V	IOH = -1.0 mA, VDD = 2V

Note 1: Data in the “Typ” column are at 3.3V, +25°C unless otherwise stated.

TABLE 36-10: DC CHARACTERISTICS: PROGRAM MEMORY

DC CHARACTERISTICS			Standard Operating Conditions: 2.0V to 3.6V (unless otherwise stated) Operating temperature $-40^{\circ}\text{C} \leq T_A \leq +85^{\circ}\text{C}$ for Industrial				
Param No.	Symbol	Characteristic	Min	Typ ⁽¹⁾	Max	Units	Conditions
Program Flash Memory							
D130	EP	Cell Endurance	20000	—	—	E/W	-40°C to +85°C
D131	VPR	VDD for Read	VMIN	—	3.6	V	VMIN = Minimum operating voltage
D132B		VDD for Self-Timed Write	VMIN	—	3.6	V	VMIN = Minimum operating voltage
D133A	TIW	Self-Timed Word Write Cycle Time	—	20	—	µs	
		Self-Timed Row Write Cycle Time	—	1.5	—	ms	
D133B	TIE	Self-Timed Page Erase Time	20	—	40	ms	
D134	TRETD	Characteristic Retention	20	—	—	Year	If no other specifications are violated
D135	IDDP	Supply Current During Programming	—	5	—	mA	

Note 1: Data in the “Typ” column are at 3.3V, +25°C unless otherwise stated.

PIC24FJ256GA412/GB412 FAMILY

TABLE 36-11: INTERNAL VOLTAGE REGULATOR SPECIFICATIONS

Operating Conditions: -40°C < T _A < +85°C (unless otherwise stated)							
Param No.	Symbol	Characteristics	Min	Typ	Max	Units	Comments
DVR10	VBG	Internal Band Gap Reference	—	1.2	—	V	
DVR11	TBG	Band Gap Reference Start-up Time	—	1	—	ms	
DVR20	VRGOUT	Regulator Output Voltage	—	1.8	—	V	V _{DD} > 2.0V
DVR21	CEFC	External Filter Capacitor Value	4.7	10	—	μF	Series Resistance < 3Ω recommended; < 5Ω required.
DVR	TVREG	Start-up Time	—	10	—	μs	PMSLP = 1 with any POR or BOR
DVR30	VLVR	Low-Voltage Regulator Output Voltage	—	1.2	—	V	RETEN = 1, LPCFG = 0

TABLE 36-12: VBAT OPERATING VOLTAGE SPECIFICATIONS

Param No.	Symbol	Characteristic	Min	Typ	Max	Units	Comments
DVB01	VBT	Operating Voltage	1.6	—	3.6	V	Battery connected to the VBAT pin, VBTBOR = 0
DVB02			VBTBOR	—	3.6	V	Battery connected to the VBAT pin, VBTBOR = 1
DVB10	VBTADC	VBAT A/D Monitoring Voltage Specification ⁽¹⁾	1.6	—	3.6	V	A/D is monitoring the VBAT pin using the internal A/D channel

Note 1: Measuring the A/D value using the A/D is represented by the equation:
 Measured Voltage = ((V_{BAT}/2)/V_{DD}) * 4096 for 12-bit A/D.

TABLE 36-13: CTMU CURRENT SOURCE SPECIFICATIONS

DC CHARACTERISTICS			Standard Operating Conditions: 2.0V to 3.6V (unless otherwise stated) Operating temperature -40°C ≤ T _A ≤ +85°C for Industrial					
Param No.	Sym	Characteristic	Min	Typ ⁽¹⁾	Max	Units	Comments	Conditions
DCT10	IOUT1	CTMU Current Source, Base Range	—	550	—	nA	CTMUCON1L[1:0] = 00	2.5V < V _{DD} < V _{DDMAX}
DCT11	IOUT2	CTMU Current Source, 10x Range	—	5.5	—	μA	CTMUCON1L[1:0] = 01	
DCT12	IOUT3	CTMU Current Source, 100x Range	—	55	—	μA	CTMUCON1L[1:0] = 10	
DCT13	IOUT4	CTMU Current Source, 1000x Range	—	550	—	μA	CTMUCON1L[1:0] = 11 ⁽²⁾	
DCT21	VΔ	Temperature Diode Voltage Change per Degree Celsius	—	-3	—	mV/°C		

Note 1: Nominal value at center point of current trim range (CTMUCON1L[7:2] = 000000).

2: Do not use this current range with temperature sensing diode.

PIC24FJ256GA412/GB412 FAMILY

TABLE 36-14: USB ON-THE-GO MODULE SPECIFICATIONS

DC CHARACTERISTICS			Standard Operating Conditions: 2.0V to 3.6V (unless otherwise stated) Operating temperature $-40^{\circ}\text{C} \leq T_A \leq +85^{\circ}\text{C}$ for Industrial				
Param No.	Symbol	Characteristic	Min	Typ	Max	Units	Conditions
Operating Voltage							
DUS01	VUSB3V3	USB Supply Voltage	Greater of: 3.0 or (VDD – 0.3V)	3.3	3.6	V	USB module enabled
			(VDD – 0.3V) ⁽¹⁾	—	3.6	V	USB disabled, RG2/RG3 are unused and externally pulled low or left in a high-impedance state
			(VDD – 0.3V)	VDD	3.6	V	USB disabled, RG2/RG3 are used as general purpose I/Os

Note 1: The VUSB3V3 pin may also be left in a high-impedance state under these conditions. However, if the voltage floats below (VDD – 0.3V), this may result in higher IPD currents than specified. The preferred method is to tie the VUSB pin to VDD, even if the USB module is not used.

TABLE 36-15: HIGH/LOW-VOLTAGE DETECT CHARACTERISTICS

Operating Conditions: $-40^{\circ}\text{C} < T_A < +85^{\circ}\text{C}$ (unless otherwise stated)								
Param No.	Symbol	Characteristic		Min	Typ	Max	Units	Conditions
DC18	VHLVD	HLVD Voltage on VDD Transition	HLVDL[3:0] = 0100 ⁽¹⁾	3.45	—	3.73	V	
			HLVDL[3:0] = 0101	3.30	—	3.57	V	
			HLVDL[3:0] = 0110	3.00	—	3.25	V	
			HLVDL[3:0] = 0111	2.80	—	3.03	V	
			HLVDL[3:0] = 1000	2.67	—	2.92	V	
			HLVDL[3:0] = 1001	2.45	—	2.70	V	
			HLVDL[3:0] = 1010	2.33	—	2.60	V	
			HLVDL[3:0] = 1011	2.21	—	2.49	V	
			HLVDL[3:0] = 1100	2.11	—	2.38	V	
			HLVDL[3:0] = 1101	2.10	—	2.25	V	
DC101	VTHL	HLVD Voltage on LVDIN Pin Transition	HLVDL[3:0] = 1111	—	1.20	—	V	

Note 1: Trip points for values of HLVD[3:0], from '0000' to '0011', are not implemented.

PIC24FJ256GA412/GB412 FAMILY

TABLE 36-16: COMPARATOR DC SPECIFICATIONS

Operating Conditions: 2.0V < VDD < 3.6V, -40°C < TA < +85°C (unless otherwise stated)							
Param No.	Symbol	Characteristic	Min	Typ	Max	Units	Comments
D300	VIOFF	Input Offset Voltage	—	12	±30	mV	
D301	VICM	Input Common-Mode Voltage	0	—	VDD	V	
D302	CMRR	Common-Mode Rejection Ratio	55	—	—	dB	
D306	IQCMP	AVDD Quiescent Current per Comparator	—	27	—	µA	Comparator enabled
D307	TRESP	Response Time	—	300	—	ns	(Note 1)
D308	TMC2OV	Comparator Mode Change to Valid Output	—	10	—	µs	

Note 1: Measured with one input at VDD/2 and the other transitioning from VSS to VDD, 40 mV step, 15 mV overdrive.

TABLE 36-17: COMPARATOR VOLTAGE REFERENCE DC SPECIFICATIONS

Operating Conditions: 2.0V < VDD < 3.6V, -40°C < TA < +85°C (unless otherwise stated)							
Param No.	Symbol	Characteristic	Min	Typ	Max	Units	Comments
VR310	TSET	Settling Time	—	—	10	µs	(Note 1)
VRD311	CVRAA	Absolute Accuracy	-100	—	100	mV	
VRD312	CVRUR	Unit Resistor Value (R)	—	4.5	—	kΩ	

Note 1: Measures the interval while CVR[4:0] transitions from '11111' to '00000'.

PIC24FJ256GA412/GB412 FAMILY

36.2 AC Characteristics and Timing Parameters

The information contained in this section defines the PIC24FJ256GA412/GB412 family AC characteristics and timing parameters.

TABLE 36-18: TEMPERATURE AND VOLTAGE SPECIFICATIONS – AC

AC CHARACTERISTICS	Standard Operating Conditions: 2.0V to 3.6V (unless otherwise stated)	
	Operating temperature	-40°C ≤ TA ≤ +85°C for Industrial
	Operating voltage VDD range as described in	Section 36.1 “DC Characteristics” .

FIGURE 36-2: LOAD CONDITIONS FOR DEVICE TIMING SPECIFICATIONS

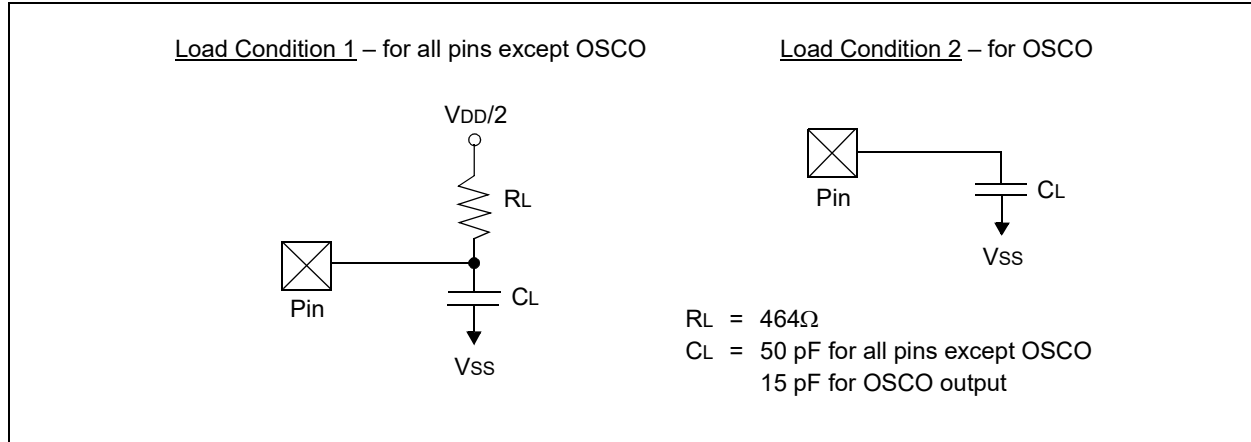


TABLE 36-19: CAPACITIVE LOADING REQUIREMENTS ON OUTPUT PINS

Param No.	Symbol	Characteristic	Min	Typ ⁽¹⁾	Max	Units	Conditions
DO50	Cosco	OSCO/CLKO Pin	—	—	15	pF	In XT and HS modes when external clock is used to drive OSC1
DO56	Cio	All I/O Pins and OSCO	—	—	50	pF	EC mode
DO58	CB	SCLx, SDAx	—	—	400	pF	In I ² C mode

Note 1: Data in the “Typ” column are at 3.3V, +25°C unless otherwise stated.

PIC24FJ256GA412/GB412 FAMILY

FIGURE 36-3: EXTERNAL CLOCK TIMING

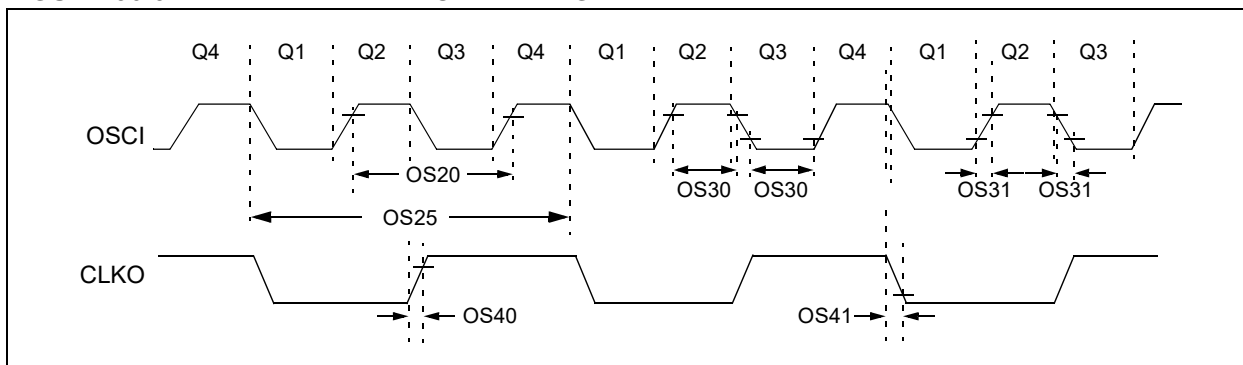


TABLE 36-20: EXTERNAL CLOCK TIMING REQUIREMENTS

AC CHARACTERISTICS			Standard Operating Conditions: 2.0V to 3.6V (unless otherwise stated) Operating temperature -40°C ≤ TA ≤ +85°C for Industrial				
Param No.	Symbol	Characteristic	Min	Typ ⁽¹⁾	Max	Units	Conditions
OS10	Fosc	External CLKI Frequency (External clocks allowed only in EC mode)	DC 1.97	— —	32 48	MHz MHz	EC ECPLL (Note 2)
		Oscillator Frequency	3.5 4 10 12 31	— — — — —	10 8 32 32 33	MHz MHz MHz MHz kHz	XT XTPLL HS HSPLL SOSC
	Tosc	Tosc = 1/Fosc	—	—	—	—	See Parameter OS10 for Fosc value
	Tcy	Instruction Cycle Time ⁽³⁾	62.5	—	DC	ns	
	OS30	TosL, TosH	External Clock in (OSCI) High or Low Time	0.45 x Tosc	—	—	ns
OS31			TosR, TosF	External Clock in (OSCI) Rise or Fall Time	—	—	20
OS40	TckR	CLKO Rise Time ⁽⁴⁾		—	6	10	ns
OS41	TckF	CLKO Fall Time ⁽⁴⁾	—	6	10	ns	

Note 1: Data in the “Typ” column are at 3.3V, +25°C unless otherwise stated.

- 2:** Represents input to the system clock prescaler. PLL dividers and postscalers must still be configured so that the system clock frequency does not exceed the maximum frequency shown in Figure 36-1.
- 3:** Instruction cycle period (Tcy) equals two times the input oscillator time base period. All specified values are based on characterization data for that particular oscillator type, under standard operating conditions, with the device executing code. Exceeding these specified limits may result in an unstable oscillator operation and/or higher than expected current consumption. All devices are tested to operate at “Min.” values with an external clock applied to the OSCI/CLKI pin. When an external clock input is used, the “Max.” cycle time limit is “DC” (no clock) for all devices.
- 4:** Measurements are taken in EC mode. The CLKO signal is measured on the OSCO pin. CLKO is low for the Q1-Q2 period (1/2 Tcy) and high for the Q3-Q4 period (1/2 Tcy).

PIC24FJ256GA412/GB412 FAMILY

TABLE 36-21: PLL CLOCK TIMING SPECIFICATIONS

AC CHARACTERISTICS			Standard Operating Conditions: 2.0V to 3.6V (unless otherwise stated) Operating temperature -40°C ≤ TA ≤ +85°C for Industrial				
Param No.	Symbol	Characteristic	Min	Typ	Max	Units	Conditions
OS50	FPLLI	PLL Input Frequency Range ⁽¹⁾	1.97	4	4.04	MHz	ECPLL, XTPLL, HSPLL or FRCPLL modes
OS52	TLOCK	PLL Start-up Time (Lock Time)	—	—	128	μs	
OS53	DCLK	CLKO Stability (Jitter)	-0.25	—	0.25	%	

Note 1: The PLL accepts a 1.97 MHz to 4.04 MHz input frequency. Higher input frequencies, up to 48 MHz, may be supplied to the PLL if they are prescaled down by the PLLMODE[3:0] Configuration bits into the 1.97 MHz to 4.04 MHz range.

TABLE 36-22: INTERNAL RC ACCURACY

AC CHARACTERISTICS		Standard Operating Conditions: 2.0V to 3.6V (unless otherwise stated) Operating temperature -40°C ≤ TA ≤ +85°C for Industrial				
Param No.	Characteristic	Min	Typ	Max	Units	Conditions
F20	FRC Accuracy @ 8 MHz ⁽⁴⁾	-1	±0.15	1	%	2.0V ≤ VDD ≤ 3.6V, 0°C ≤ TA ≤ +85°C (Note 1)
		-1.5	—	1.5	%	2.0V ≤ VDD ≤ 3.6V, -40°C ≤ TA < 0°C
		-0.20	±0.05	0.20	%	2.0V ≤ VDD ≤ 3.6V, -40°C ≤ TA ≤ +85°C, self-tune is enabled and locked (Note 2)
F21	LPRC @ 31 kHz	-20	—	20	%	
F22	OSCTUN Step-Size	—	0.05	—	%/bit	
F23	FRC Self-Tune Lock Time	—	<5	8	ms	(Note 3)

Note 1: To achieve this accuracy, physical stress applied to the microcontroller package (ex., by flexing the PCB) must be kept to a minimum.

2: Accuracy measured with respect to reference source accuracy.

3: Time from when the reference clock is stable and in range until the FRC is tuned within the range specified by F20 (with self-tune).

4: Other frequencies that are derived from the FRC (either through digital division by prescalers or multiplication through a PLL) will also have the same accuracy tolerance specifications as provided here.

TABLE 36-23: RC OSCILLATOR START-UP TIME

AC CHARACTERISTICS			Standard Operating Conditions: 2.0V to 3.6V (unless otherwise stated) Operating temperature -40°C ≤ TA ≤ +85°C for Industrial				
Param No.	Symbol	Characteristic	Min	Typ	Max	Units	Conditions
FR0	TFRC	FRC Oscillator Start-up Time	—	15	—	μs	
FR1	TLPRC	Low-Power RC Oscillator Start-up Time	—	50	—	μs	

PIC24FJ256GA412/GB412 FAMILY

FIGURE 36-4: CLKO AND I/O TIMING CHARACTERISTICS

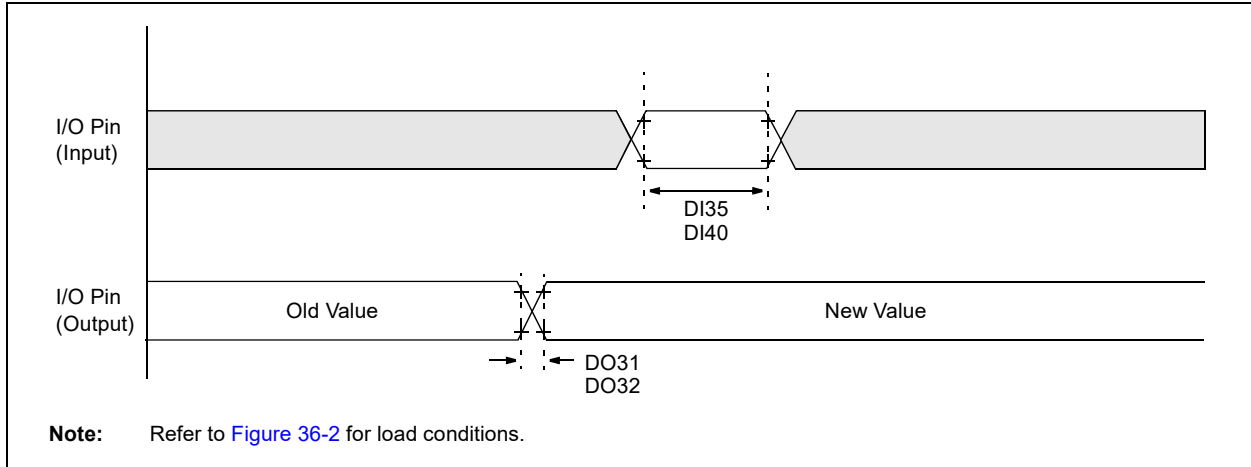


TABLE 36-24: CLKO AND I/O TIMING REQUIREMENTS

AC CHARACTERISTICS			Standard Operating Conditions: 2.0V to 3.6V (unless otherwise stated) Operating temperature $-40^{\circ}\text{C} \leq T_A \leq +85^{\circ}\text{C}$ for Industrial				
Param No.	Symbol	Characteristic	Min	Typ ⁽¹⁾	Max	Units	Conditions
DO31	TioR	Port Output Rise Time	—	5	25	ns	
DO32	TioF	Port Output Fall Time	—	5	25	ns	
DI35	TINP	INTx Pin High or Low Time (input)	20	—	—	ns	
DI40	TRBP	CNx High or Low Time (input)	2	—	—	T _{cy}	

Note 1: Data in the “Typ” column are at 3.3V, +25°C unless otherwise stated.

PIC24FJ256GA412/GB412 FAMILY

TABLE 36-25: RESET AND BROWN-OUT RESET REQUIREMENTS

AC CHARACTERISTICS			Standard Operating Conditions: 2.0V to 3.6V (unless otherwise stated) Operating temperature -40°C ≤ TA ≤ +85°C for Industrial				
Param No.	Symbol	Characteristic	Min	Typ	Max	Units	Conditions
SY10	TMCL	MCLR Pulse Width (Low)	2	—	—	μs	
SY12	TPOR	Power-on Reset Delay	—	2	—	μs	
SY13	TIOZ	I/O High-Impedance from MCLR Low or Watchdog Timer Reset	Lesser of: (3 Tcy + 2) or 700	—	(3 Tcy + 2)	μs	
SY25	TBOR	Brown-out Reset Pulse Width	1	—	—	μs	VDD ≤ VBOR
SY45	TRST	Internal State Reset Time	—	50	—	μs	
SY70	TDSWU	Deep Sleep Wake-up Time	—	200	—	μs	VCAP fully discharged before wake-up
SY71	TPM	Program Memory Wake-up Time	—	20	—	μs	Sleep wake-up with PMSLP = 0
			—	1	—	μs	Sleep wake-up with PMSLP = 1
SY72	TLVR	Low-Voltage Regulator Wake-up Time	—	90	—	μs	Sleep wake-up with PMSLP = 0
			—	70	—	μs	Sleep wake-up with PMSLP = 1

PIC24FJ256GA412/GB412 FAMILY

FIGURE 36-5: TIMER1/2/3/4/5 EXTERNAL CLOCK INPUT TIMING

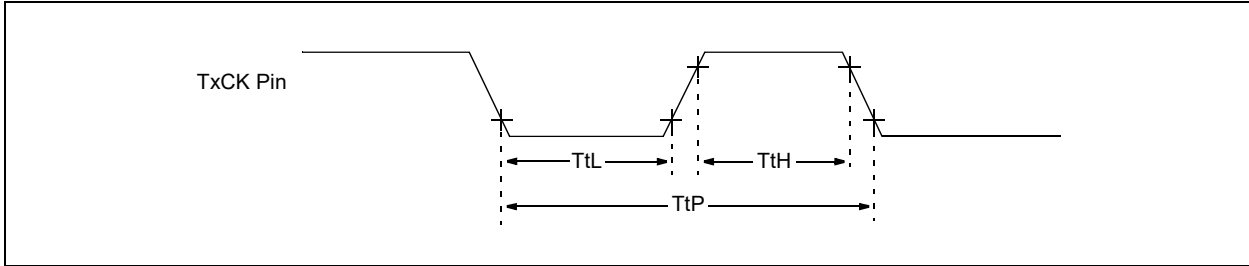


TABLE 36-26: TIMER1/2/3/4/5 EXTERNAL CLOCK INPUT REQUIREMENTS⁽¹⁾

Param. No.	Symbol	Characteristic	Min	Max	Units	Conditions	
	TtH	TxCK High Pulse Time	Synchronous w/Prescaler	$T_{CY} + 20$	—	ns	Must also meet Parameter TtP
			Asynchronous w/Prescaler	10	—	ns	
			Asynchronous Counter	20	—	ns	
	TtL	TxCK Low Pulse Time	Synchronous w/Prescaler	$T_{CY} + 20$	—	ns	Must also meet Parameter TtP
			Asynchronous w/Prescaler	10	—	ns	
			Asynchronous Counter	20	—	ns	
	TtP	TxCK External Input Period	Synchronous w/Prescaler	$2 * T_{CY} + 40$	—	ns	N = Prescale Value (1, 4, 8, 16)
			Asynchronous w/Prescaler	Greater of: 20 or $\frac{2 * T_{CY} + 40}{N}$	—	ns	
			Asynchronous Counter	40	—	ns	
		Delay for Input Edge to Timer Increment	Synchronous	1	2	T_{CY}	
			Asynchronous	—	20	ns	

Note 1: Asynchronous mode is available only on Timer1.

PIC24FJ256GA412/GB412 FAMILY

FIGURE 36-6: INPUT CAPTURE x TIMINGS

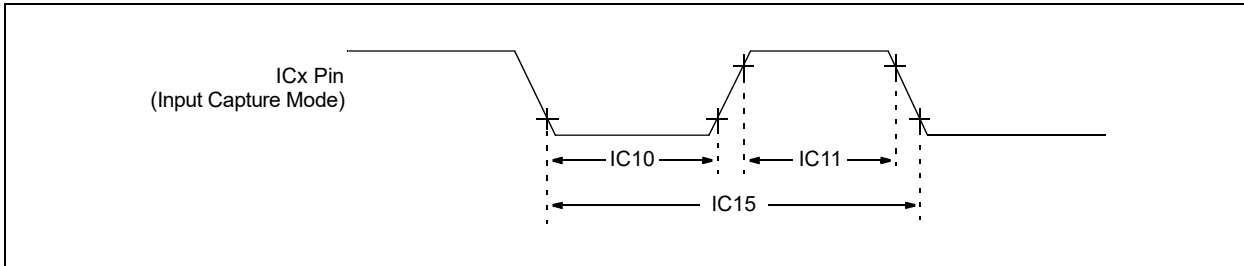


TABLE 36-27: INPUT CAPTURE x TIMINGS REQUIREMENTS

Param. No.	Symbol	Characteristic	Min	Max	Units	Conditions	
IC10	TccL	ICx Input Low Time – Synchronous Timer	No Prescaler	$T_{CY} + 20$	—	ns	Must also meet Parameter IC15
		With Prescaler	20	—	ns		
IC11	TccH	ICx Input Low Time – Synchronous Timer	No Prescaler	$T_{CY} + 20$	—	ns	Must also meet Parameter IC15
		With Prescaler	20	—	ns		
IC15	TccP	ICx Input Period – Synchronous Timer	$\frac{2 * T_{CY} + 40}{N}$	—	ns	N = Prescale Value (1, 4, 16)	

FIGURE 36-7: OUTPUT COMPARE x TIMINGS

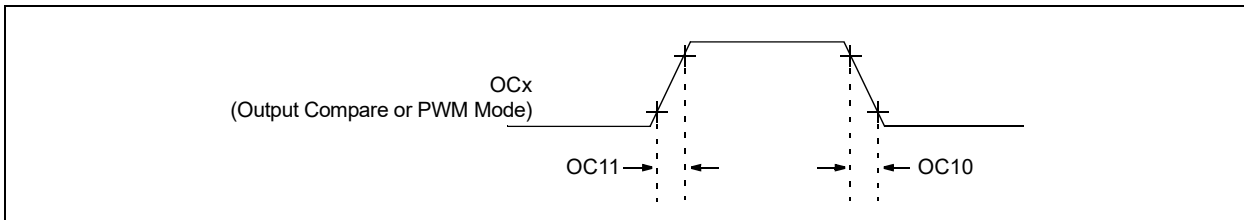


TABLE 36-28: OUTPUT COMPARE 1 TIMINGS

Param. No.	Symbol	Characteristic	Min	Max	Unit	Condition
OC11	TccR	OC1 Output Rise Time	—	10	ns	
			—	—	ns	
OC10	TccF	OC1 Output Fall Time	—	10	ns	
			—	—	ns	

PIC24FJ256GA412/GB412 FAMILY

FIGURE 36-8: PWMx MODULE TIMING REQUIREMENTS

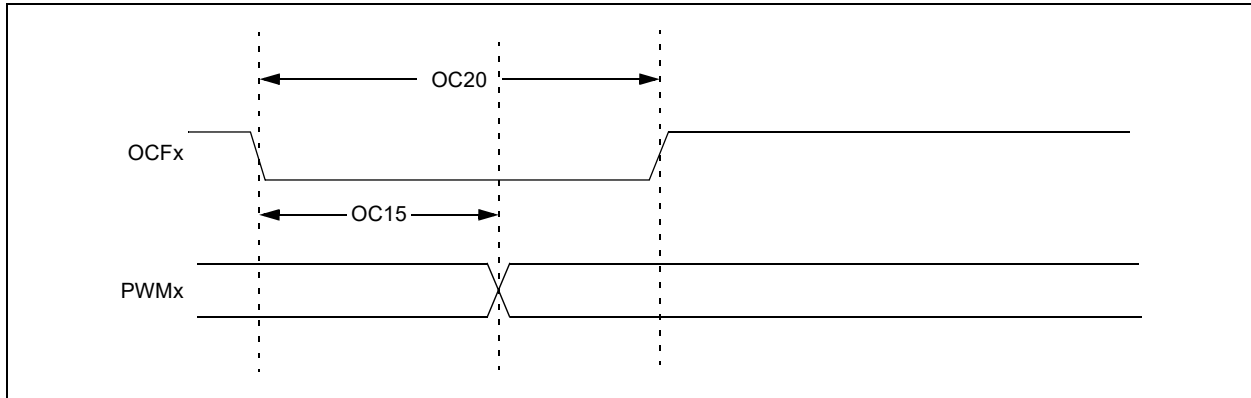


TABLE 36-29: PWMx TIMING REQUIREMENTS

Param. No.	Symbol	Characteristic	Min	Typ ⁽¹⁾	Max	Unit	Condition
OC15	T _{FD}	Fault Input to PWM I/O Change	—	—	25	ns	V _{DD} = 3.0V, -40°C to +85°C
OC20	T _{FH}	Fault Input Pulse Width	50	—	—	ns	V _{DD} = 3.0V, -40°C to +85°C

Note 1: Data in "Typ" column are at 3.3V, +25°C unless otherwise stated. These parameters are for design guidance only and are not tested.

PIC24FJ256GA412/GB412 FAMILY

FIGURE 36-9: I²Cx BUS START/STOP BITS TIMING CHARACTERISTICS (MASTER MODE)

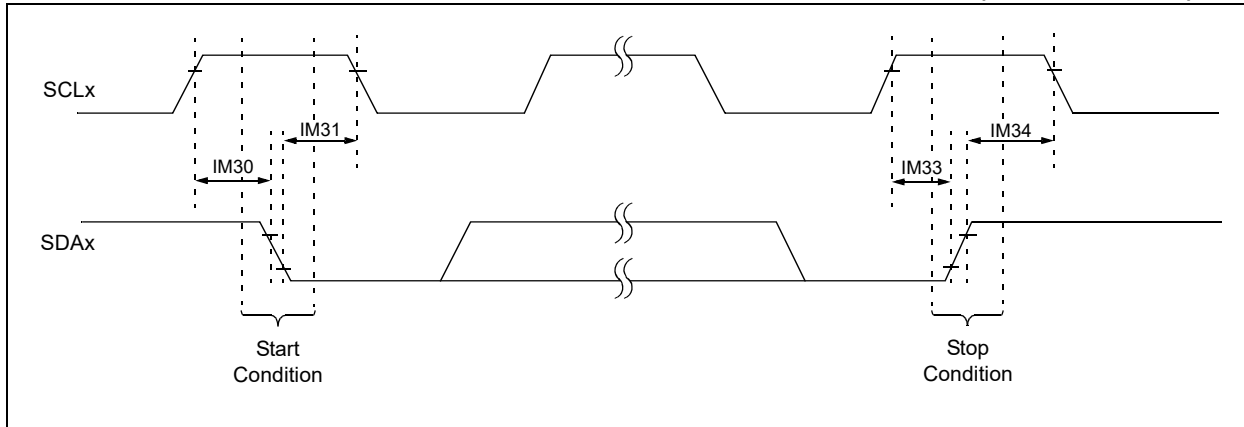


TABLE 36-30: I²Cx BUS START/STOP BITS TIMING REQUIREMENTS (MASTER MODE)

AC CHARACTERISTICS			Standard Operating Conditions: 2.0V to 3.6V (unless otherwise stated) Operating temperature $-40^{\circ}\text{C} \leq T_A \leq +85^{\circ}\text{C}$ for Industrial				
Param No.	Symbol	Characteristic	Min ⁽¹⁾	Max	Units	Conditions	
IM30	TSU:STA	Start Condition Setup Time	100 kHz mode	$T_{CY}/2 (BRG + 1)$	—	μs	Only relevant for Repeated Start condition
			400 kHz mode	$T_{CY}/2 (BRG + 1)$	—	μs	
			1 MHz mode ⁽²⁾	$T_{CY}/2 (BRG + 1)$	—	μs	
IM31	THD:STA	Start Condition Hold Time	100 kHz mode	$T_{CY}/2 (BRG + 1)$	—	μs	After this period, the first clock pulse is generated
			400 kHz mode	$T_{CY}/2 (BRG + 1)$	—	μs	
			1 MHz mode ⁽²⁾	$T_{CY}/2 (BRG + 1)$	—	μs	
IM33	TSU:STO	Stop Condition Setup Time	100 kHz mode	$T_{CY}/2 (BRG + 1)$	—	μs	
			400 kHz mode	$T_{CY}/2 (BRG + 1)$	—	μs	
			1 MHz mode ⁽²⁾	$T_{CY}/2 (BRG + 1)$	—	μs	
IM34	THD:STO	Stop Condition Hold Time	100 kHz mode	$T_{CY}/2 (BRG + 1)$	—	ns	
			400 kHz mode	$T_{CY}/2 (BRG + 1)$	—	ns	
			1 MHz mode ⁽²⁾	$T_{CY}/2 (BRG + 1)$	—	ns	

Note 1: BRG is the value of the I²C Baud Rate Generator. Refer to [Section 18.2 “Setting Baud Rate When Operating as a Bus Master”](#) for details.

2: Maximum Pin Capacitance = 10 pF for all I²C pins (for 1 MHz mode only).

PIC24FJ256GA412/GB412 FAMILY

FIGURE 36-10: I2Cx BUS DATA TIMING CHARACTERISTICS (MASTER MODE)

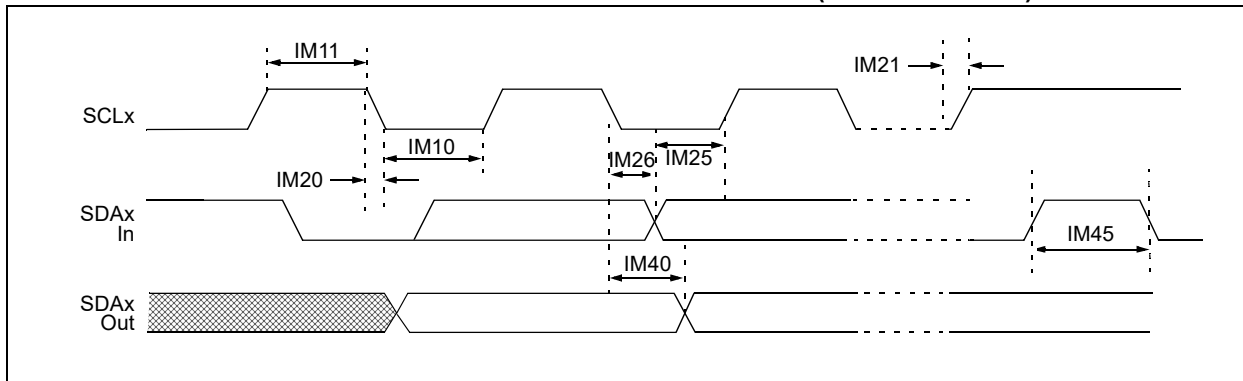


TABLE 36-31: I2Cx BUS DATA TIMING REQUIREMENTS (MASTER MODE)

AC CHARACTERISTICS				Standard Operating Conditions: 2.0V to 3.6V (unless otherwise stated) Operating temperature $-40^{\circ}\text{C} \leq T_A \leq +85^{\circ}\text{C}$ for Industrial			
Param No.	Symbol	Characteristic		Min ⁽¹⁾	Max	Units	Conditions
IM10	TLO:SCL	Clock Low Time	100 kHz mode	$T_{CY}/2 (BRG + 1)$	—	μs	
			400 kHz mode	$T_{CY}/2 (BRG + 1)$	—	μs	
			1 MHz mode ⁽²⁾	$T_{CY}/2 (BRG + 1)$	—	μs	
IM11	THI:SCL	Clock High Time	100 kHz mode	$T_{CY}/2 (BRG + 1)$	—	μs	
			400 kHz mode	$T_{CY}/2 (BRG + 1)$	—	μs	
			1 MHz mode ⁽²⁾	$T_{CY}/2 (BRG + 1)$	—	μs	
IM20	TF:SCL	SDAx and SCLx Fall Time	100 kHz mode	—	300	ns	Cb is specified to be from 10 to 400 pF
			400 kHz mode	$20 + 0.1 C_B$	300	ns	
			1 MHz mode ⁽²⁾	—	100	ns	
IM21	TR:SCL	SDAx and SCLx Rise Time	100 kHz mode	—	1000	ns	Cb is specified to be from 10 to 400 pF
			400 kHz mode	$20 + 0.1 C_B$	300	ns	
			1 MHz mode ⁽²⁾	—	300	ns	
IM25	TSU:DAT	Data Input Setup Time	100 kHz mode	250	—	ns	
			400 kHz mode	100	—	ns	
			1 MHz mode ⁽²⁾	—	—	ns	
IM26	THD:DAT	Data Input Hold Time	100 kHz mode	0	—	ns	
			400 kHz mode	0	0.9	μs	
			1 MHz mode ⁽²⁾	—	—	ns	
IM40	TAA:SCL	Output Valid from Clock	100 kHz mode	—	3500	ns	
			400 kHz mode	—	1000	ns	
			1 MHz mode ⁽²⁾	—	—	ns	
IM45	TBF:SDA	Bus Free Time	100 kHz mode	4.7	—	μs	Time the bus must be free before a new transmission can start
			400 kHz mode	1.3	—	μs	
			1 MHz mode ⁽²⁾	—	—	μs	
IM50	CB	Bus Capacitive Loading		—	400	pF	

Note 1: BRG is the value of the I²C Baud Rate Generator. Refer to [Section 18.2 “Setting Baud Rate When Operating as a Bus Master”](#) for details.

2: Maximum Pin Capacitance = 10 pF for all I²C pins (for 1 MHz mode only).

PIC24FJ256GA412/GB412 FAMILY

FIGURE 36-11: I2Cx BUS START/STOP BITS TIMING CHARACTERISTICS (SLAVE MODE)

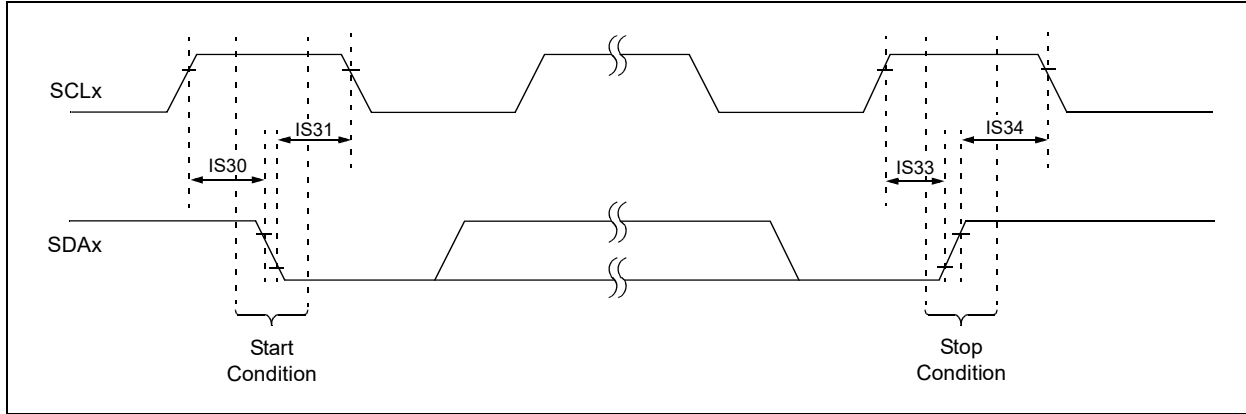


TABLE 36-32: I2Cx BUS START/STOP BITS TIMING REQUIREMENTS (SLAVE MODE)

AC CHARACTERISTICS				Standard Operating Conditions: 2.0V to 3.6V (unless otherwise stated) Operating temperature $-40^{\circ}\text{C} \leq T_A \leq +85^{\circ}\text{C}$ for Industrial			
Param No.	Symbol	Characteristic		Min	Max	Units	Conditions
IS30	TSU:STA	Start Condition Setup Time	100 kHz mode	4.7	—	μs	Only relevant for Repeated Start condition
			400 kHz mode	0.6	—	μs	
			1 MHz mode ⁽¹⁾	0.25	—	μs	
IS31	THD:STA	Start Condition Hold Time	100 kHz mode	4.0	—	μs	After this period, the first clock pulse is generated
			400 kHz mode	0.6	—	μs	
			1 MHz mode ⁽¹⁾	0.25	—	μs	
IS33	TSU:STO	Stop Condition Setup Time	100 kHz mode	4.7	—	μs	
			400 kHz mode	0.6	—	μs	
			1 MHz mode ⁽¹⁾	0.6	—	μs	
IS34	THD:STO	Stop Condition Hold Time	100 kHz mode	4000	—	ns	
			400 kHz mode	600	—	ns	
			1 MHz mode ⁽¹⁾	250	—	ns	

Note 1: Maximum Pin Capacitance = 10 pF for all I²C pins (for 1 MHz mode only).

PIC24FJ256GA412/GB412 FAMILY

FIGURE 36-12: I2Cx BUS DATA TIMING CHARACTERISTICS (SLAVE MODE)

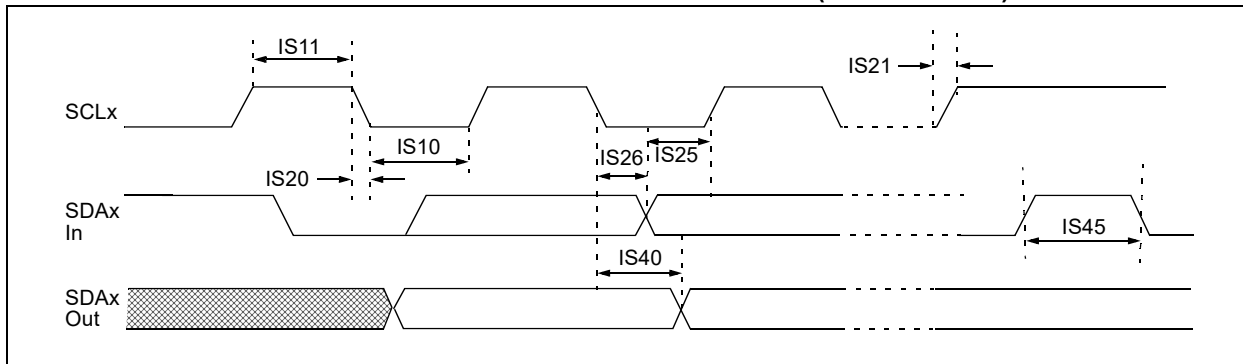


TABLE 36-33: I2Cx BUS DATA TIMING REQUIREMENTS (SLAVE MODE)

AC CHARACTERISTICS				Standard Operating Conditions: 2.0V to 3.6V (unless otherwise stated) Operating temperature $-40^{\circ}\text{C} \leq T_A \leq +85^{\circ}\text{C}$ for Industrial			
Param No.	Symbol	Characteristic		Min	Max	Units	Conditions
IS10	TLO:SCL	Clock Low Time	100 kHz mode	4.7	—	μs	Device must operate at a minimum of 1.5 MHz
			400 kHz mode	1.3	—	μs	Device must operate at a minimum of 10 MHz
			1 MHz mode ⁽¹⁾	0.5	—	μs	
IS11	THI:SCL	Clock High Time	100 kHz mode	4.0	—	μs	Device must operate at a minimum of 1.5 MHz
			400 kHz mode	0.6	—	μs	Device must operate at a minimum of 10 MHz
			1 MHz mode ⁽¹⁾	0.5	—	μs	
IS20	TF:SCL	SDAx and SCLx Fall Time	100 kHz mode	—	300	ns	Cb is specified to be from 10 to 400 pF
			400 kHz mode	$20 + 0.1 C_B$	300	ns	
			1 MHz mode ⁽¹⁾	—	100	ns	
IS21	TR:SCL	SDAx and SCLx Rise Time	100 kHz mode	—	1000	ns	Cb is specified to be from 10 to 400 pF
			400 kHz mode	$20 + 0.1 C_B$	300	ns	
			1 MHz mode ⁽¹⁾	—	300	ns	
IS25	TSU:DAT	Data Input Setup Time	100 kHz mode	250	—	ns	
			400 kHz mode	100	—	ns	
			1 MHz mode ⁽¹⁾	100	—	ns	
IS26	THD:DAT	Data Input Hold Time	100 kHz mode	0	—	ns	
			400 kHz mode	0	0.9	μs	
			1 MHz mode ⁽¹⁾	0	0.3	μs	
IS40	TAA:SCL	Output Valid From Clock	100 kHz mode	0	3500	ns	
			400 kHz mode	0	1000	ns	
			1 MHz mode ⁽¹⁾	0	350	ns	
IS45	TBF:SDA	Bus Free Time	100 kHz mode	4.7	—	μs	Time the bus must be free before a new transmission can start
			400 kHz mode	1.3	—	μs	
			1 MHz mode ⁽¹⁾	0.5	—	μs	
IS50	C _B	Bus Capacitive Loading		—	400	pF	

Note 1: Maximum Pin Capacitance = 10 pF for all I²C pins (for 1 MHz mode only).

PIC24FJ256GA412/GB412 FAMILY

FIGURE 36-13: SPIx MODULE MASTER MODE TIMING CHARACTERISTICS (CKE = 0)

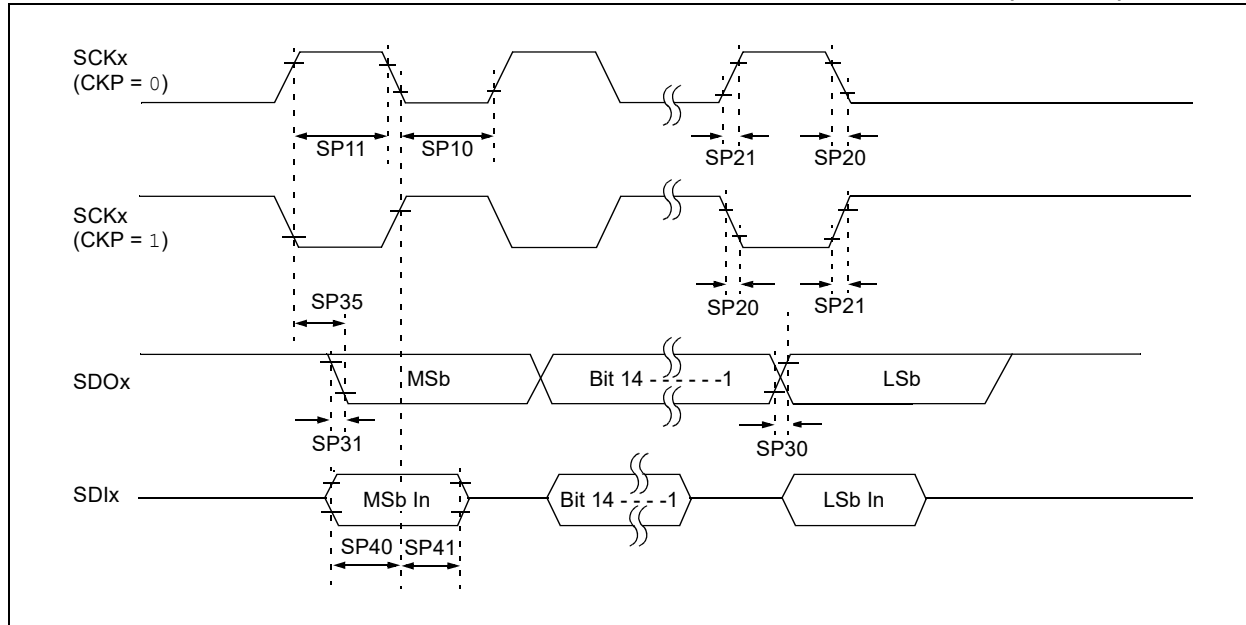


TABLE 36-34: SPIx MASTER MODE TIMING REQUIREMENTS (CKE = 0)

AC CHARACTERISTICS			Standard Operating Conditions: 2.0V to 3.6V (unless otherwise stated) Operating temperature $-40^{\circ}\text{C} \leq T_A \leq +85^{\circ}\text{C}$ for Industrial				
Param No.	Symbol	Characteristic	Min	Typ ⁽¹⁾	Max	Units	Conditions
SP10	TscL	SCKx Output Low Time ⁽²⁾	$T_{CY}/2$	—	—	ns	
SP11	TscH	SCKx Output High Time ⁽²⁾	$T_{CY}/2$	—	—	ns	
SP20	TscF	SCKx Output Fall Time ⁽³⁾	—	10	25	ns	
SP21	TscR	SCKx Output Rise Time ⁽³⁾	—	10	25	ns	
SP30	TdoF	SDOx Data Output Fall Time ⁽³⁾	—	10	25	ns	
SP31	TdoR	SDOx Data Output Rise Time ⁽³⁾	—	10	25	ns	
SP35	TscH2doV, TscL2doV	SDOx Data Output Valid After SCKx Edge	—	—	30	ns	
SP40	TdiV2scH, TdiV2scL	Setup Time of SDIx Data Input to SCKx Edge	20	—	—	ns	
SP41	TscH2diL, TscL2diL	Hold Time of SDIx Data Input to SCKx Edge	20	—	—	ns	

Note 1: Data in "Typ" column are at 3.3V, +25°C unless otherwise stated. Parameters are for design guidance only and are not tested.

2: The minimum clock period for SCKx is 100 ns; therefore, the clock generated in Master mode must not violate this specification.

3: Assumes 50 pF load on all SPIx pins.

PIC24FJ256GA412/GB412 FAMILY

FIGURE 36-14: SPIx MODULE MASTER MODE TIMING CHARACTERISTICS (CKE = 1)

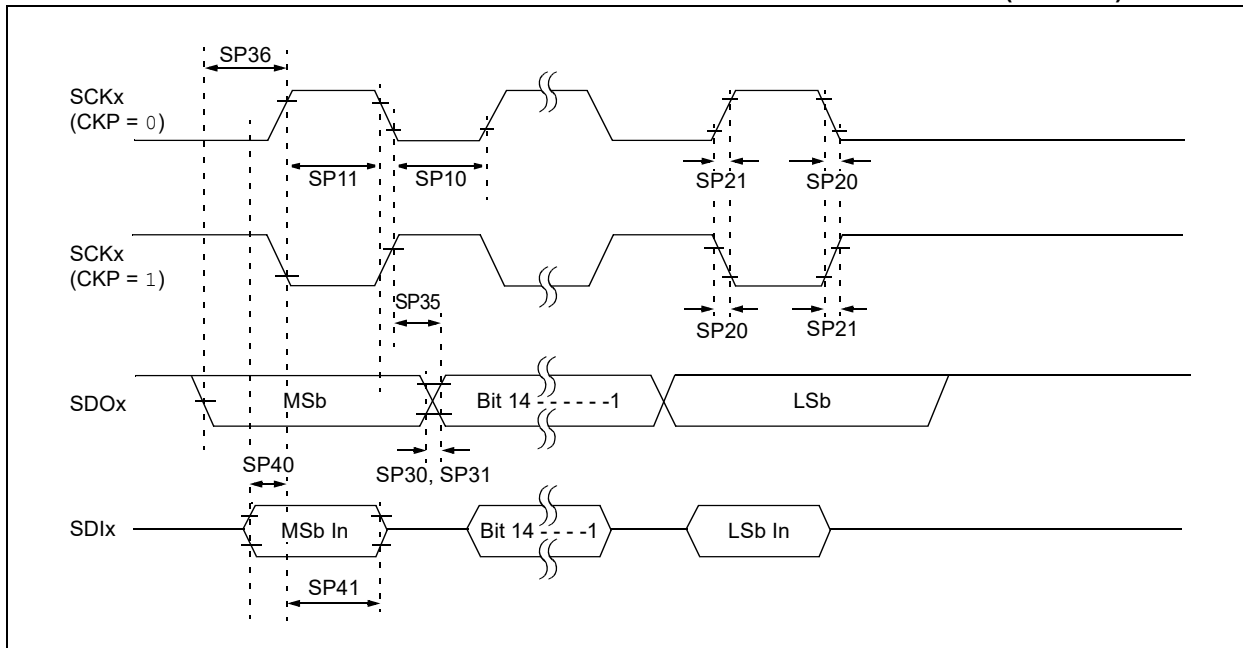


TABLE 36-35: SPIx MODULE MASTER MODE TIMING REQUIREMENTS (CKE = 1)

AC CHARACTERISTICS			Standard Operating Conditions: 2.0V to 3.6V (unless otherwise stated) Operating temperature $-40^{\circ}\text{C} \leq T_A \leq +85^{\circ}\text{C}$ for Industrial				
Param No.	Symbol	Characteristic	Min	Typ ⁽¹⁾	Max	Units	Conditions
SP10	TscL	SCKx Output Low Time ⁽²⁾	$T_{CY}/2$	—	—	ns	
SP11	Tsch	SCKx Output High Time ⁽²⁾	$T_{CY}/2$	—	—	ns	
SP20	TscF	SCKx Output Fall Time ⁽³⁾	—	10	25	ns	
SP21	TscR	SCKx Output Rise Time ⁽³⁾	—	10	25	ns	
SP30	TdoF	SDOx Data Output Fall Time ⁽³⁾	—	10	25	ns	
SP31	TdoR	SDOx Data Output Rise Time ⁽³⁾	—	10	25	ns	
SP35	Tsch2doV, TscL2doV	SDOx Data Output Valid After SCKx Edge	—	—	30	ns	
SP36	TdoV2sc, TdoV2scL	SDOx Data Output Setup to First SCKx Edge	30	—	—	ns	
SP40	TdiV2sch, TdiV2scL	Setup Time of SDIx Data Input to SCKx Edge	20	—	—	ns	
SP41	Tsch2diL, TscL2diL	Hold Time of SDIx Data Input to SCKx Edge	20	—	—	ns	

Note 1: Data in “Typ” column are at 3.3V, +25°C unless otherwise stated. Parameters are for design guidance only and are not tested.

2: The minimum clock period for SCKx is 100 ns; therefore, the clock generated in Master mode must not violate this specification.

3: Assumes 50 pF load on all SPIx pins.

PIC24FJ256GA412/GB412 FAMILY

FIGURE 36-15: SPIx MODULE SLAVE MODE TIMING CHARACTERISTICS (CKE = 0)

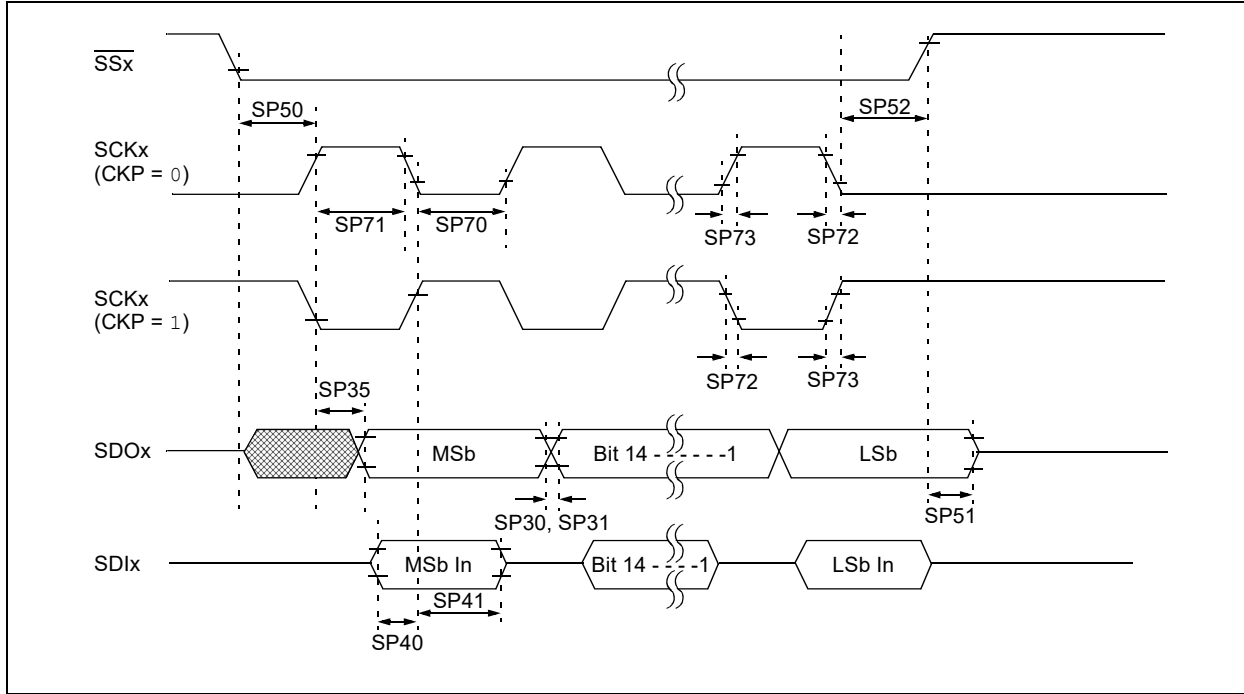


TABLE 36-36: SPIx MODULE SLAVE MODE TIMING REQUIREMENTS (CKE = 0)

AC CHARACTERISTICS			Standard Operating Conditions: 2.0V to 3.6V (unless otherwise stated) Operating temperature $-40^{\circ}\text{C} \leq T_A \leq +85^{\circ}\text{C}$ for Industrial				
Param No.	Symbol	Characteristic	Min	Typ ⁽¹⁾	Max	Units	Conditions
SP70	TscL	SCKx Input Low Time	30	—	—	ns	
SP71	TscH	SCKx Input High Time	30	—	—	ns	
SP72	TscF	SCKx Input Fall Time ⁽²⁾	—	10	25	ns	
SP73	TscR	SCKx Input Rise Time ⁽²⁾	—	10	25	ns	
SP30	TdoF	SDOx Data Output Fall Time ⁽²⁾	—	10	25	ns	
SP31	TdoR	SDOx Data Output Rise Time ⁽²⁾	—	10	25	ns	
SP35	Tsch2doV, TscL2doV	SDOx Data Output Valid After SCKx Edge	—	—	30	ns	
SP40	TdiV2scH, TdiV2scL	Setup Time of SDIx Data Input to SCKx Edge	20	—	—	ns	
SP41	Tsch2diL, TscL2diL	Hold Time of SDIx Data Input to SCKx Edge	20	—	—	ns	
SP50	TssL2scH, TssL2scL	$\overline{\text{SSx}}$ to SCKx \uparrow or SCKx Input	120	—	—	ns	
SP51	TssH2doZ	$\overline{\text{SSx}}$ \uparrow to SDOx Output High-Impedance	10	—	50	ns	
SP52	Tsch2ssH TscL2ssH	$\overline{\text{SSx}}$ After SCKx Edge	$1.5 T_{CY} + 40$	—	—	ns	

Note 1: Data in "Typ" column are at 3.3V, +25°C unless otherwise stated. Parameters are for design guidance only and are not tested.

2: Assumes 50 pF load on all SPIx pins.

PIC24FJ256GA412/GB412 FAMILY

FIGURE 36-16: SPIx MODULE SLAVE MODE TIMING CHARACTERISTICS (CKE = 1)

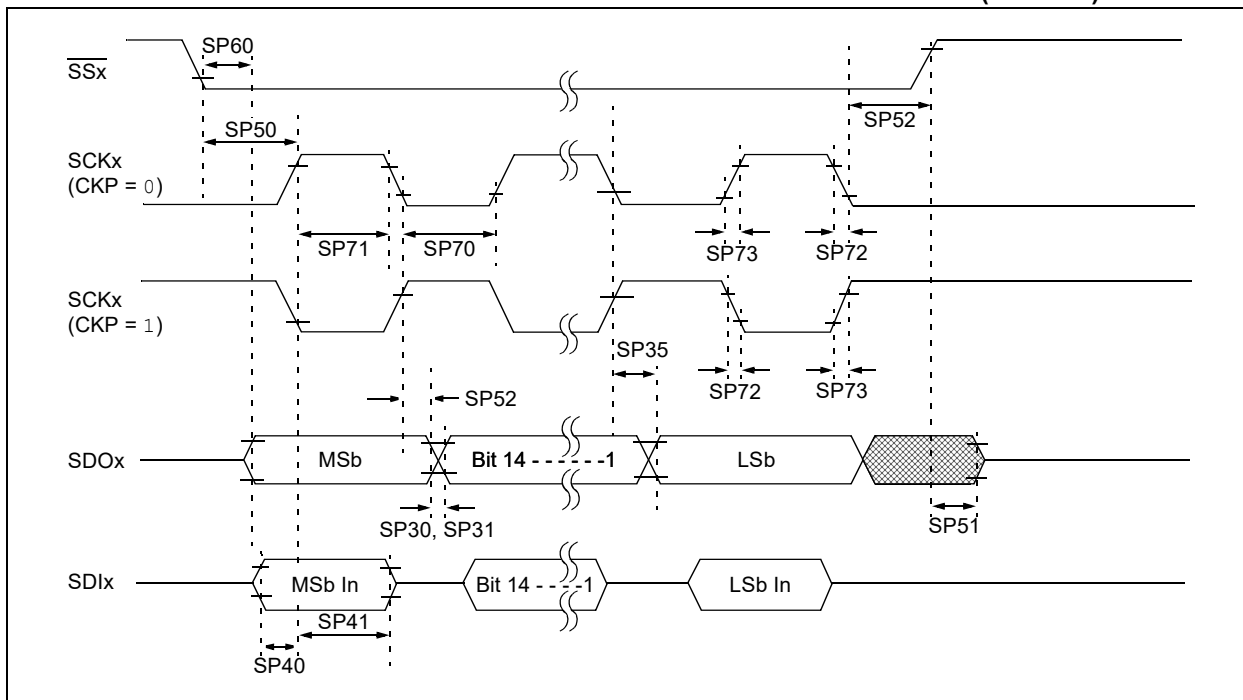


TABLE 36-37: SPIx MODULE SLAVE MODE TIMING REQUIREMENTS (CKE = 1)

AC CHARACTERISTICS			Standard Operating Conditions: 2.0V to 3.6V (unless otherwise stated) Operating temperature $-40^{\circ}\text{C} \leq T_A \leq +85^{\circ}\text{C}$ for Industrial				
Param No.	Symbol	Characteristic	Min	Typ ⁽¹⁾	Max	Units	Conditions
SP70	TscL	SCKx Input Low Time	30	—	—	ns	
SP71	Tsch	SCKx Input High Time	30	—	—	ns	
SP72	TscF	SCKx Input Fall Time ⁽²⁾	—	10	25	ns	
SP73	TscR	SCKx Input Rise Time ⁽²⁾	—	10	25	ns	
SP30	TdoF	SDOx Data Output Fall Time ⁽²⁾	—	10	25	ns	
SP31	TdoR	SDOx Data Output Rise Time ⁽²⁾	—	10	25	ns	
SP35	Tsch2doV, TscL2doV	SDOx Data Output Valid After SCKx Edge	—	—	30	ns	
SP40	TdiV2sch, TdiV2scl	Setup Time of SDIx Data Input to SCKx Edge	20	—	—	ns	
SP41	Tsch2diL, TscL2diL	Hold Time of SDIx Data Input to SCKx Edge	20	—	—	ns	
SP50	TssL2sch, TssL2scl	$\overline{\text{SSx}} \downarrow$ to SCKx \downarrow or SCKx \uparrow Input	120	—	—	ns	
SP51	TssH2doZ	$\overline{\text{SSx}} \uparrow$ to SDOx Output High-Impedance ⁽³⁾	10	—	50	ns	
SP52	Tsch2ssH, TscL2ssH	$\overline{\text{SSx}} \uparrow$ After SCKx Edge	$1.5 T_{CY} + 40$	—	—	ns	
SP60	TssL2doV	SDOx Data Output Valid After $\overline{\text{SSx}}$ Edge	—	—	50	ns	

Note 1: Data in “Typ” column are at 3.3V, +25°C unless otherwise stated. Parameters are for design guidance only and are not tested.

2: The minimum clock period for SCKx is 100 ns; therefore, the clock generated in Master mode must not violate this specification.

3: Assumes 50 pF load on all SPIx pins.

PIC24FJ256GA412/GB412 FAMILY

FIGURE 36-17: UARTx BAUD RATE GENERATOR OUTPUT TIMING

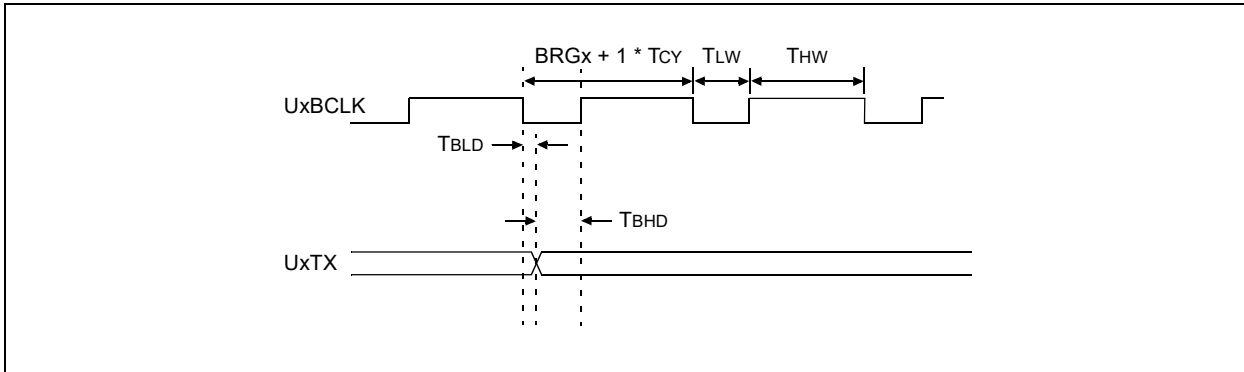


FIGURE 36-18: UARTx START BIT EDGE DETECTION

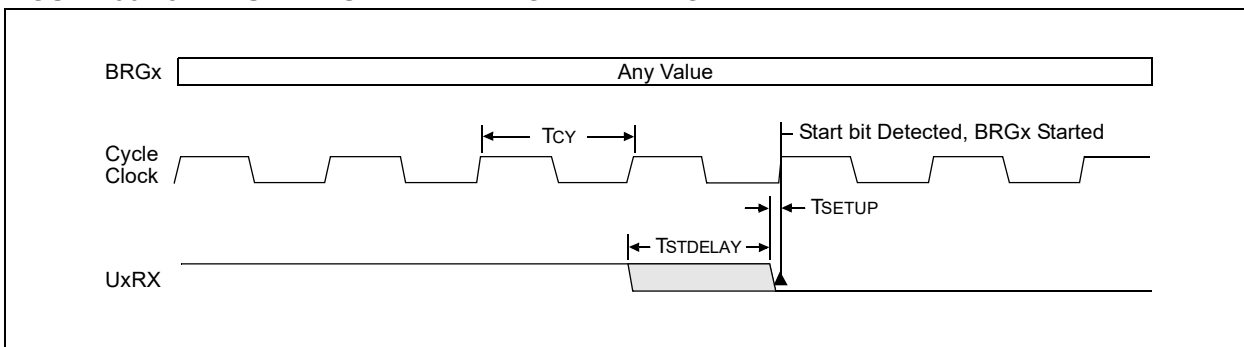


TABLE 36-38: UARTx AC SPECIFICATIONS

Symbol	Characteristics	Min	Typ	Max	Units
TLW	UxBCLK High Time	20	$T_{cy}/2$	—	ns
THW	UxBCLK Low Time	20	$(T_{cy} * BRGx) + T_{cy}/2$	—	ns
TBLD	UxBCLK Falling Edge Delay from UxTX	-50	—	50	ns
TBHD	UxBCLK Rising Edge Delay from UxTX	$T_{cy}/2 - 50$	—	$T_{cy}/2 + 50$	ns
TWAK	Min. Low on UxRX Line to Cause Wake-up	—	1	—	μs
TCTS	Min. Low on UxCTS Line to Start Transmission	T_{cy}	—	—	ns
TSETUP	Start bit Falling Edge to System Clock Rising Edge Setup Time	3	—	—	ns
TSTDELAY	Maximum Delay in the Detection of the Start bit Falling Edge	—	—	$T_{cy} + T_{SETUP}$	ns

PIC24FJ256GA412/GB412 FAMILY

TABLE 36-39: A/D MODULE SPECIFICATIONS

AC CHARACTERISTICS			Standard Operating Conditions: 2V to 3.6V (unless otherwise stated) Operating temperature $-40^{\circ}\text{C} \leq T_A \leq +85^{\circ}\text{C}$ for Industrial				
Param No.	Symbol	Characteristic	Min.	Typ	Max.	Units	Conditions
Device Supply							
AD01	AVDD	Module VDD Supply	Greater of: VDD – 0.3 or 2.2	—	Lesser of: VDD + 0.3 or 3.6	V	
AD02	AVSS	Module Vss Supply	VSS – 0.3	—	VSS + 0.3	V	
Reference Inputs							
AD05	VREFH	Reference Voltage High	AVSS + 1.7	—	AVDD	V	
AD06	VREFL	Reference Voltage Low	AVSS	—	AVDD – 1.7	V	
AD07	VREF	Absolute Reference Voltage	AVSS – 0.3	—	AVDD + 0.3	V	
Analog Input							
AD10	VINH-VINL	Full-Scale Input Span	VREFL	—	VREFH	V	(Note 2)
AD11	VIN	Absolute Input Voltage	AVSS – 0.3	—	AVDD + 0.3	V	
AD12	VINL	Absolute VINL Input Voltage	AVSS – 0.3	—	AVDD/3	V	
AD13		Leakage Current	—	± 1.0	± 610	nA	VINL = AVSS = VREFL = 0V, AVDD = VREFH = 3V, Source Impedance = 2.5 k Ω
AD17	RIN	Recommended Impedance of Analog Voltage Source	—	—	2.5K	Ω	10-bit
Accuracy							
AD20B	Nr	Resolution	—	12	—	bits	
AD21B	INL	Integral Nonlinearity	—	± 1	$< \pm 2$	LSb	VINL = AVSS = VREFL = 0V, AVDD = VREFH = 3V
AD22B	DNL	Differential Nonlinearity	—	—	$< \pm 1$	LSb	VINL = AVSS = VREFL = 0V, AVDD = VREFH = 3V
AD23B	GERR	Gain Error	—	± 1	± 3	LSb	VINL = AVSS = VREFL = 0V, AVDD = VREFH = 3V
AD24B	E _{OFF}	Offset Error	—	± 1	± 2	LSb	VINL = AVSS = VREFL = 0V, AVDD = VREFH = 3V
AD25B		Monotonicity ⁽¹⁾	—	—	—	—	Guaranteed

Note 1: The conversion result never decreases with an increase in the input voltage and has no missing codes.

2: Measurements are taken with the external VREF+ and VREF- used as the voltage reference.

PIC24FJ256GA412/GB412 FAMILY

TABLE 36-40: A/D CONVERSION TIMING REQUIREMENTS⁽¹⁾

AC CHARACTERISTICS			Standard Operating Conditions: 2V to 3.6V (unless otherwise stated) Operating temperature $-40^{\circ}\text{C} \leq T_A \leq +85^{\circ}\text{C}$ for Industrial				
Param No.	Symbol	Characteristic	Min.	Typ	Max.	Units	Conditions
Clock Parameters							
AD50	TAD	A/D Clock Period	278	—	—	ns	
AD51	tRC	A/D Internal RC Oscillator Period	—	250	—	ns	
Conversion Rate							
AD55	tCONV	Conversion Time	—	14	—	TAD	
AD56	FCNV	Throughput Rate	—	—	200	ksps	AVDD > 2.7V
AD57	tsAMP	Sample Time	—	1	—	TAD	
Clock Parameters							
AD61	tPSS	Sample Start Delay from Setting Sample bit (SAMP)	2	—	3	TAD	

Note 1: Because the sample caps will eventually lose charge, clock rates below 10 kHz can affect linearity performance, especially at elevated temperatures.

TABLE 36-41: 10-BIT DAC SPECIFICATIONS

AC CHARACTERISTICS			Operating Conditions: $-40^{\circ}\text{C} < T_A < +85^{\circ}\text{C}$, $2.0\text{V} < (A)V_{DD} < 3.6\text{V}^{(1)}$				
Param No.	Sym	Characteristic	Min	Typ	Max	Units	Conditions
DAC01		Resolution	10	—	—	bits	
DAC02		DVREF+ Input Voltage Range	—	—	AVDD	V	
DAC03	DNL	Differential Linearity Error	-1	—	+1	LSb	
DAC04	INL	Integral Linearity Error	-3.0	—	+3.0	LSb	
DAC05		Offset Error	-20	—	+20	mV	Code 000h
DAC06		Gain Error	-3.0	—	+3.0	LSb	Code 3FFh, not including offset error

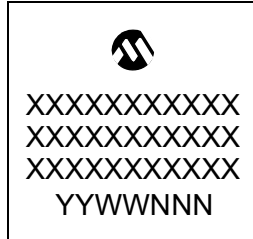
Note 1: Unless otherwise stated, test conditions are with $V_{DD} = AV_{DD} = DV_{REF+} = 3.3\text{V}$, 3 k Ω load to VSS.

PIC24FJ256GA412/GB412 FAMILY

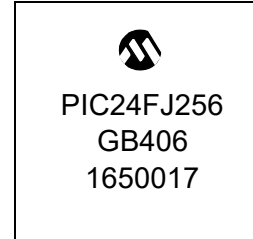
37.0 PACKAGING INFORMATION

37.1 Package Marking Information

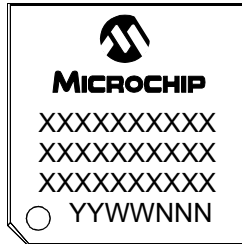
64-Lead QFN (9x9x0.9 mm)



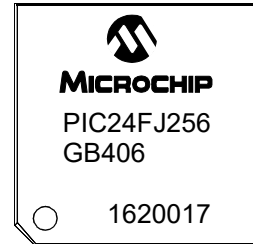
Example



64-Lead TQFP (10x10x1 mm)



Example



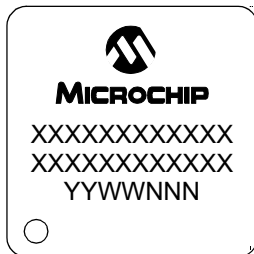
Legend:	XX...X	Customer-specific information
	Y	Year code (last digit of calendar year)
	YY	Year code (last 2 digits of calendar year)
	WW	Week code (week of January 1 is week '01')
	NNN	Alphanumeric traceability code

Note: In the event the full Microchip part number cannot be marked on one line, it will be carried over to the next line, thus limiting the number of available characters for customer-specific information.

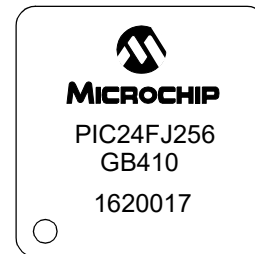
PIC24FJ256GA412/GB412 FAMILY

37.2 Package Marking Information (Continued)

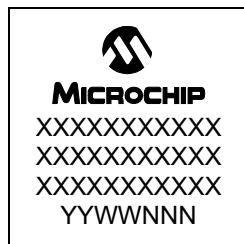
100-Lead TQFP (12x12x1 mm)



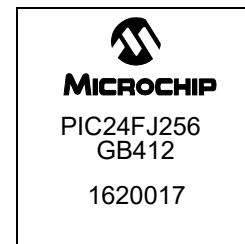
Example



121-TFBGA (10x10x1.1 mm)



Example



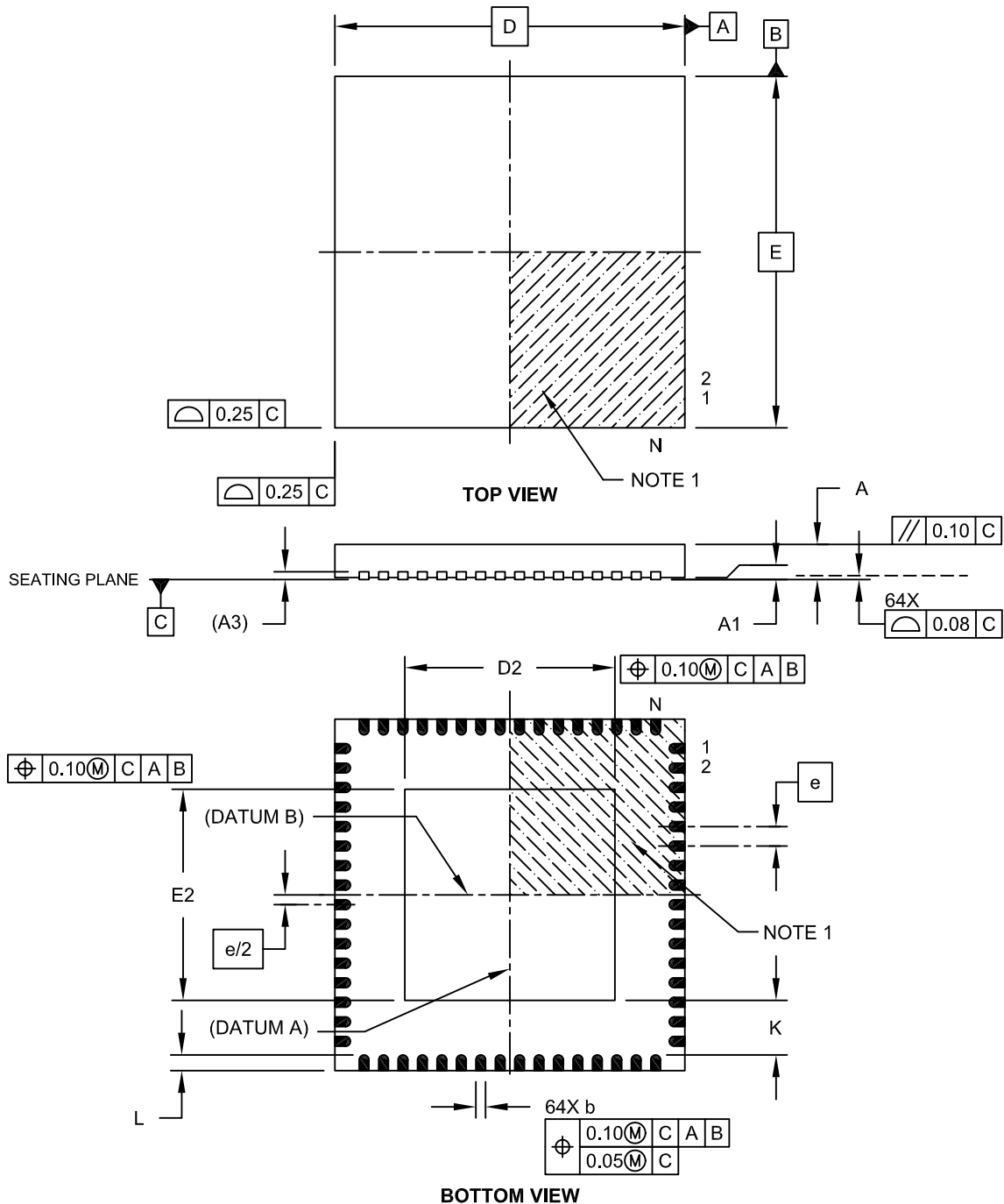
PIC24FJ256GA412/GB412 FAMILY

37.3 Package Details

The following sections give the technical details of the packages.

64-Lead Plastic Quad Flat, No Lead Package (MR) – 9x9x0.9 mm Body with 5.40 x 5.40 Exposed Pad [QFN]

Note: For the most current package drawings, please see the Microchip Packaging Specification located at <http://www.microchip.com/packaging>

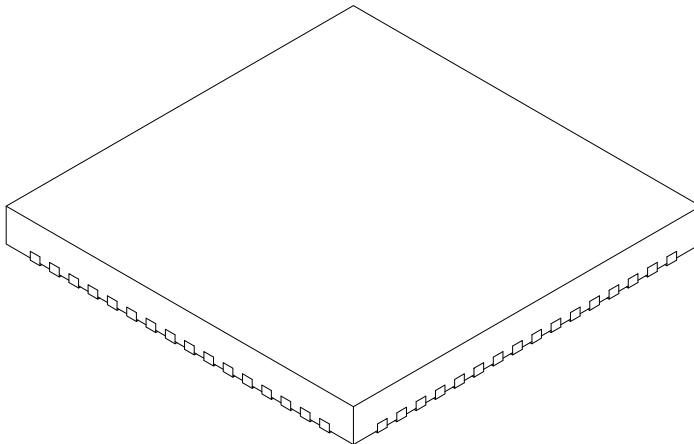


Microchip Technology Drawing C04-154A Sheet 1 of 2

PIC24FJ256GA412/GB412 FAMILY

64-Lead Plastic Quad Flat, No Lead Package (MR) – 9x9x0.9 mm Body with 5.40 x 5.40 Exposed Pad [QFN]

Note: For the most current package drawings, please see the Microchip Packaging Specification located at <http://www.microchip.com/packaging>



Units		MILLIMETERS		
Dimension Limits		MIN	NOM	MAX
Number of Pins	N	64		
Pitch	e	0.50 BSC		
Overall Height	A	0.80	0.90	1.00
Standoff	A1	0.00	0.02	0.05
Contact Thickness	A3	0.20 REF		
Overall Width	E	9.00 BSC		
Exposed Pad Width	E2	5.30	5.40	5.50
Overall Length	D	9.00 BSC		
Exposed Pad Length	D2	5.30	5.40	5.50
Contact Width	b	0.20	0.25	0.30
Contact Length	L	0.30	0.40	0.50
Contact-to-Exposed Pad	K	0.20	-	-

Notes:

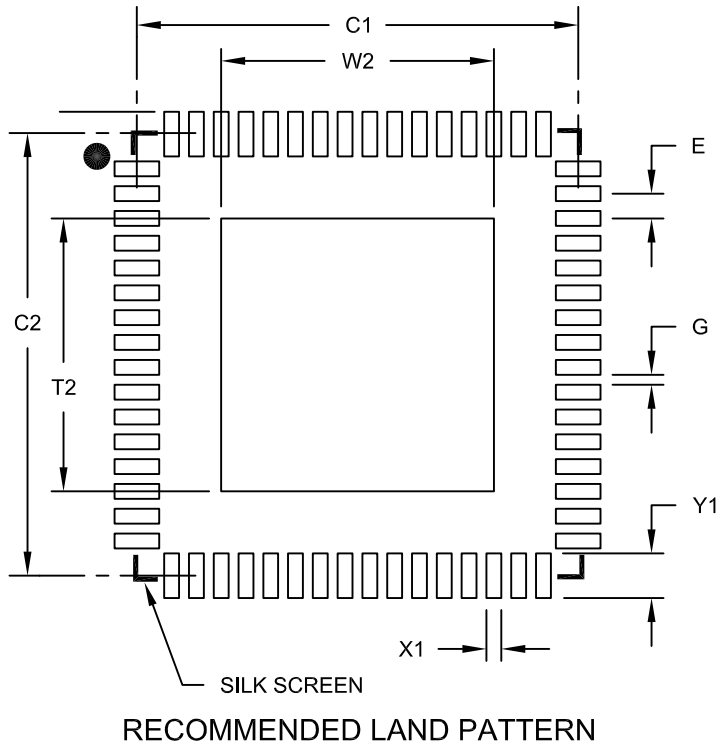
1. Pin 1 visual index feature may vary, but must be located within the hatched area.
2. Package is saw singulated.
3. Dimensioning and tolerancing per ASME Y14.5M.
BSC: Basic Dimension. Theoretically exact value shown without tolerances.
REF: Reference Dimension, usually without tolerance, for information purposes only.

Microchip Technology Drawing C04-154A Sheet 2 of 2

PIC24FJ256GA412/GB412 FAMILY

64-Lead Plastic Quad Flat, No Lead Package (MR) – 9x9x0.9 mm Body [QFN]
 With 0.40 mm Contact Length and 5.40x5.40mm Exposed Pad

Note: For the most current package drawings, please see the Microchip Packaging Specification located at <http://www.microchip.com/packaging>



Dimension Limits	Units	MILLIMETERS		
		MIN	NOM	MAX
Contact Pitch	E	0.50 BSC		
Optional Center Pad Width	W2			5.50
Optional Center Pad Length	T2			5.50
Contact Pad Spacing	C1		8.90	
Contact Pad Spacing	N C2		8.90	
Contact Pad Width (X64)	X1			0.30
Contact Pad Length (X64)	Y1			0.85
Distance Between Pads	G	0.20		

Notes:

1. Dimensioning and tolerancing per ASME Y14.5M

BSC: Basic Dimension. Theoretically exact value shown without tolerances.

Microchip Technology Drawing No. C04-2154A

PIC24FJ256GA412/GB412 FAMILY

64-Lead Plastic Thin Quad Flatpack (PT)-10x10x1 mm Body, 2.00 mm Footprint [TQFP]

Note: For the most current package drawings, please see the Microchip Packaging Specification located at <http://www.microchip.com/packaging>



TOP VIEW



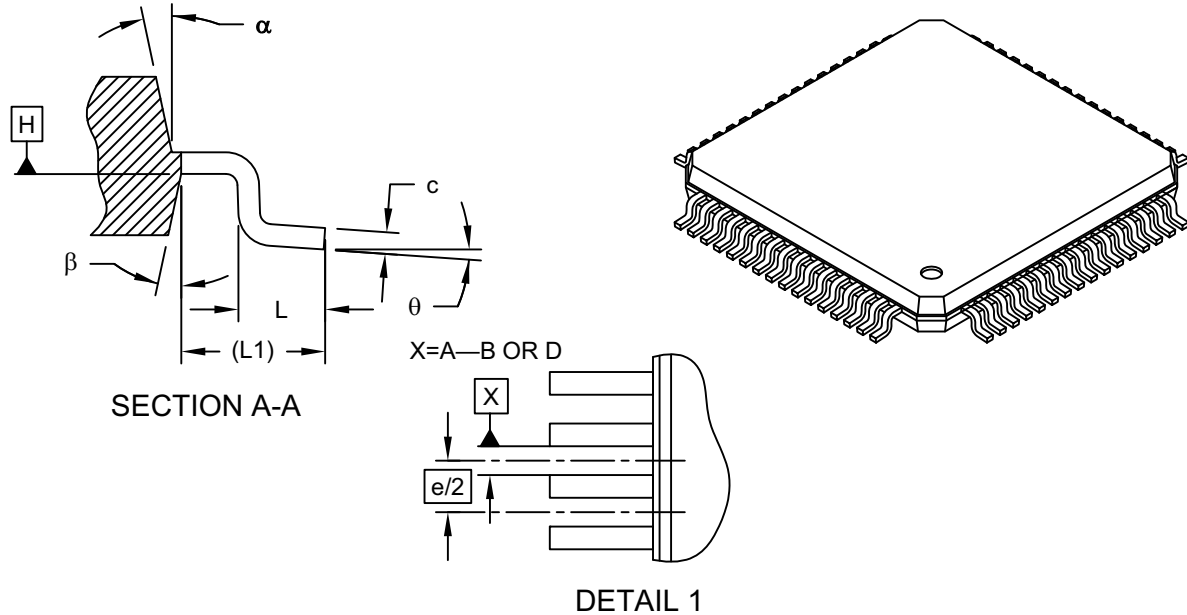
SIDE VIEW

Microchip Technology Drawing C04-085C Sheet 1 of 2

PIC24FJ256GA412/GB412 FAMILY

64-Lead Plastic Thin Quad Flatpack (PT)-10x10x1 mm Body, 2.00 mm Footprint [TQFP]

Note: For the most current package drawings, please see the Microchip Packaging Specification located at <http://www.microchip.com/packaging>



Dimension	Units	MILLIMETERS		
		MIN	NOM	MAX
Number of Leads	N	64		
Lead Pitch	e	0.50 BSC		
Overall Height	A	-	-	1.20
Molded Package Thickness	A2	0.95	1.00	1.05
Standoff	A1	0.05	-	0.15
Foot Length	L	0.45	0.60	0.75
Footprint	L1	1.00 REF		
Foot Angle	ϕ	0°	3.5°	7°
Overall Width	E	12.00 BSC		
Overall Length	D	12.00 BSC		
Molded Package Width	E1	10.00 BSC		
Molded Package Length	D1	10.00 BSC		
Lead Thickness	c	0.09	-	0.20
Lead Width	b	0.17	0.22	0.27
Mold Draft Angle Top	α	11°	12°	13°
Mold Draft Angle Bottom	β	11°	12°	13°

Notes:

1. Pin 1 visual index feature may vary, but must be located within the hatched area.
2. Chamfers at corners are optional; size may vary.
3. Dimensions D1 and E1 do not include mold flash or protrusions. Mold flash or protrusions shall not exceed 0.25mm per side.
4. Dimensioning and tolerancing per ASME Y14.5M

BSC: Basic Dimension. Theoretically exact value shown without tolerances.

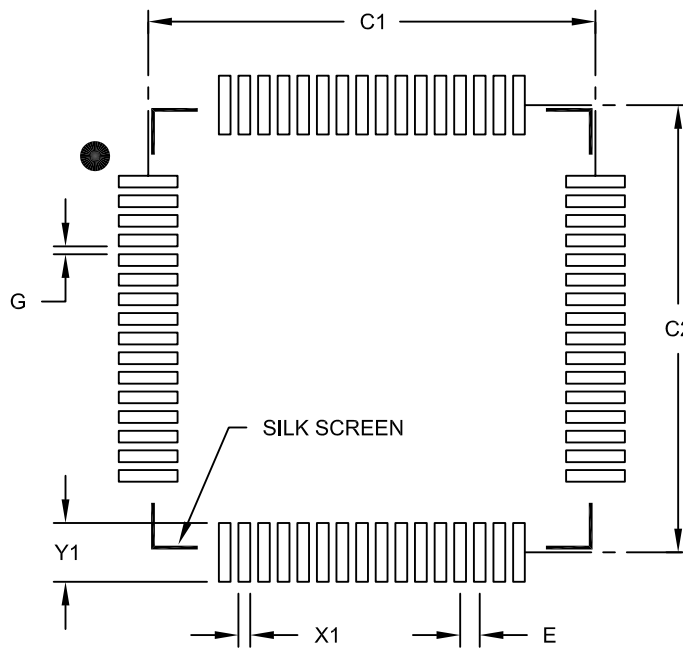
REF: Reference Dimension, usually without tolerance, for information purposes only.

Microchip Technology Drawing C04-085C Sheet 2 of 2

PIC24FJ256GA412/GB412 FAMILY

64-Lead Plastic Thin Quad Flatpack (PT) 10x10x1 mm Body, 2.00 mm Footprint [TQFP]

Note: For the most current package drawings, please see the Microchip Packaging Specification located at <http://www.microchip.com/packageing>



RECOMMENDED LAND PATTERN

Dimension Limits	Units	MILLIMETERS		
		MIN	NOM	MAX
Contact Pitch	E	0.50 BSC		
Contact Pad Spacing	C1		11.40	
Contact Pad Spacing	C2		11.40	
Contact Pad Width (X64)	X1			0.30
Contact Pad Length (X64)	Y1			1.50
Distance Between Pads	G	0.20		

Notes:

1. Dimensioning and tolerancing per ASME Y14.5M

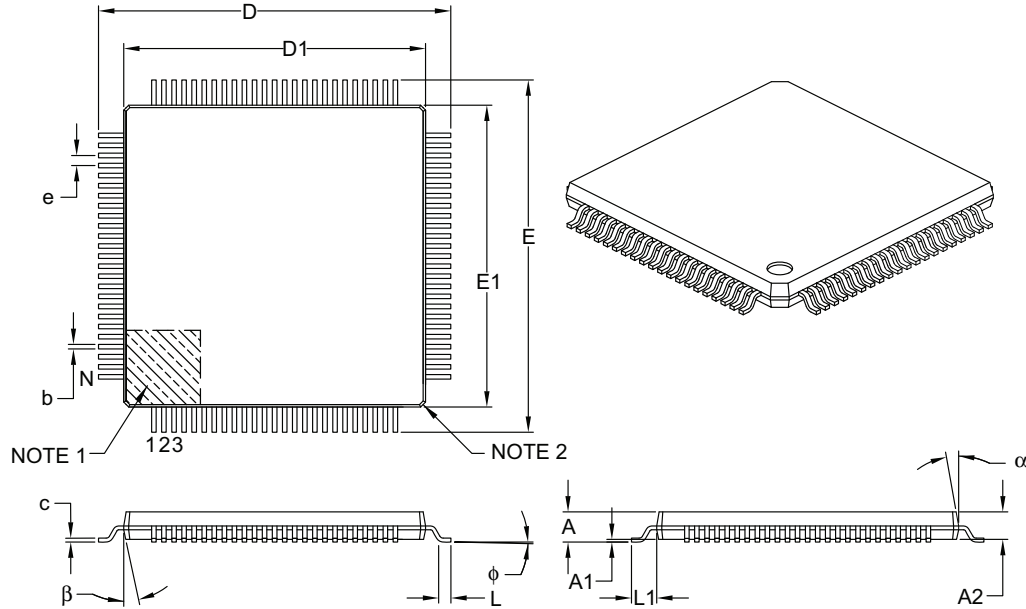
BSC: Basic Dimension. Theoretically exact value shown without tolerances.

Microchip Technology Drawing No. C04-2085B

PIC24FJ256GA412/GB412 FAMILY

100-Lead Plastic Thin Quad Flatpack (PT) – 12x12x1 mm Body, 2.00 mm [TQFP]

Note: For the most current package drawings, please see the Microchip Packaging Specification located at <http://www.microchip.com/packaging>



Dimension Limits	Units	MILLIMETERS		
		MIN	NOM	MAX
Number of Leads	N	100		
Lead Pitch	e	0.40 BSC		
Overall Height	A	–	–	1.20
Molded Package Thickness	A2	0.95	1.00	1.05
Standoff	A1	0.05	–	0.15
Foot Length	L	0.45	0.60	0.75
Footprint	L1	1.00 REF		
Foot Angle	ϕ	0°	3.5°	7°
Overall Width	E	14.00 BSC		
Overall Length	D	14.00 BSC		
Molded Package Width	E1	12.00 BSC		
Molded Package Length	D1	12.00 BSC		
Lead Thickness	c	0.09	–	0.20
Lead Width	b	0.13	0.18	0.23
Mold Draft Angle Top	α	11°	12°	13°
Mold Draft Angle Bottom	β	11°	12°	13°

Notes:

- Pin 1 visual index feature may vary, but must be located within the hatched area.
- Chamfers at corners are optional; size may vary.
- Dimensions D1 and E1 do not include mold flash or protrusions. Mold flash or protrusions shall not exceed 0.25 mm per side.
- Dimensioning and tolerancing per ASME Y14.5M.

BSC: Basic Dimension. Theoretically exact value shown without tolerances.

REF: Reference Dimension, usually without tolerance, for information purposes only.

Microchip Technology Drawing C04-100B

PIC24FJ256GA412/GB412 FAMILY

100-Lead Plastic Thin Quad Flatpack (PT)-12x12x1mm Body, 2.00 mm Footprint [TQFP]

Note: For the most current package drawings, please see the Microchip Packaging Specification located at <http://www.microchip.com/packaging>



Dimension Limits	Units	MILLIMETERS		
		MIN	NOM	MAX
Contact Pitch	E	0.40 BSC		
Contact Pad Spacing	C1		13.40	
Contact Pad Spacing	C2		13.40	
Contact Pad Width (X100)	X1			0.20
Contact Pad Length (X100)	Y1			1.50
Distance Between Pads	G	0.20		

Notes:

1. Dimensioning and tolerancing per ASME Y14.5M

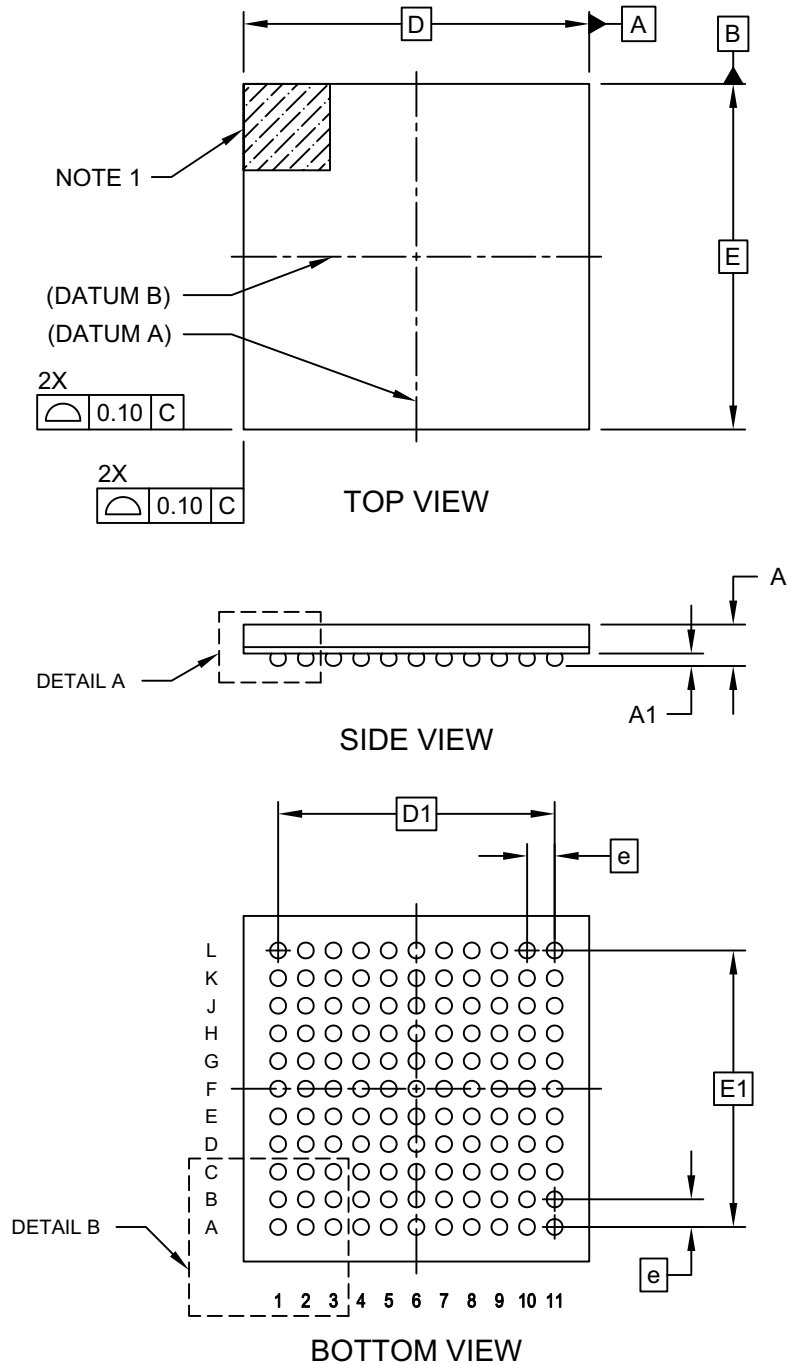
BSC: Basic Dimension. Theoretically exact value shown without tolerances.

Microchip Technology Drawing No. C04-2100B

PIC24FJ256GA412/GB412 FAMILY

121-Ball Plastic Thin Profile Fine Pitch Ball Grid Array (BG) - 10x10x1.10 mm Body [TFBGA]

Note: For the most current package drawings, please see the Microchip Packaging Specification located at <http://www.microchip.com/packaging>

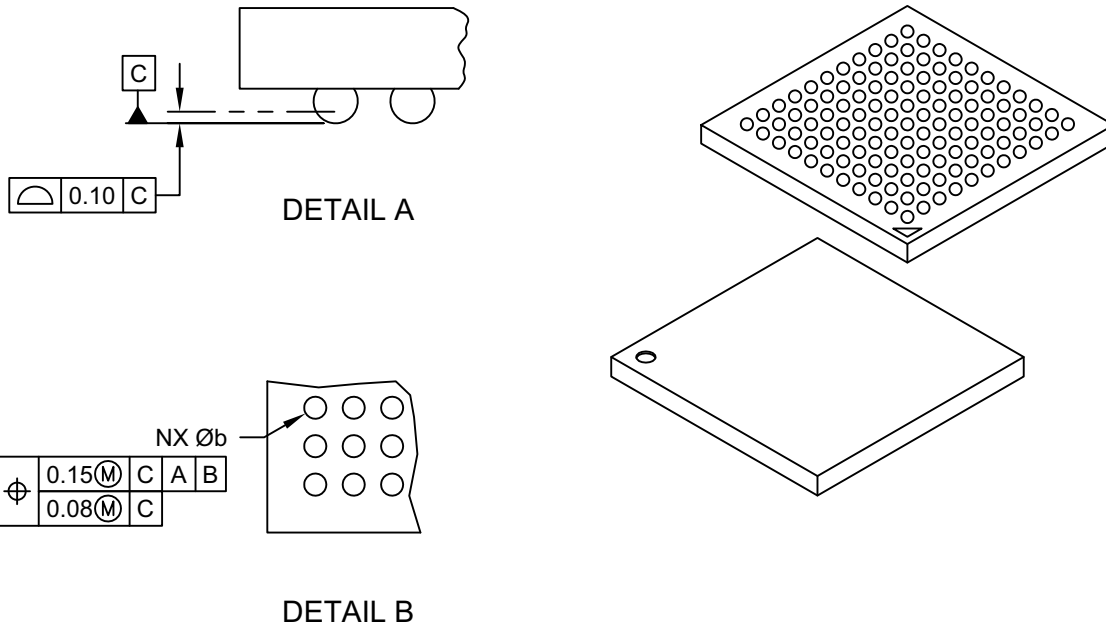


Microchip Technology Drawing C04-148 Rev F Sheet 1 of 2

PIC24FJ256GA412/GB412 FAMILY

121-Ball Plastic Thin Profile Fine Pitch Ball Grid Array (BG) - 10x10x1.10 mm Body [TFBGA]

Note: For the most current package drawings, please see the Microchip Packaging Specification located at <http://www.microchip.com/packaging>



Dimension Limits	Units	MILLIMETERS		
		MIN	NOM	MAX
Number of Contacts	N	121		
Contact Pitch	e	0.80 BSC		
Overall Height	A	1.00	1.10	1.20
Ball Height	A1	0.25	0.30	0.35
Overall Width	E	10.00 BSC		
Array Width	E1	8.00 BSC		
Overall Length	D	10.00 BSC		
Array Length	D1	8.00 BSC		
Contact Diameter	b	0.35	0.40	0.45

Notes:

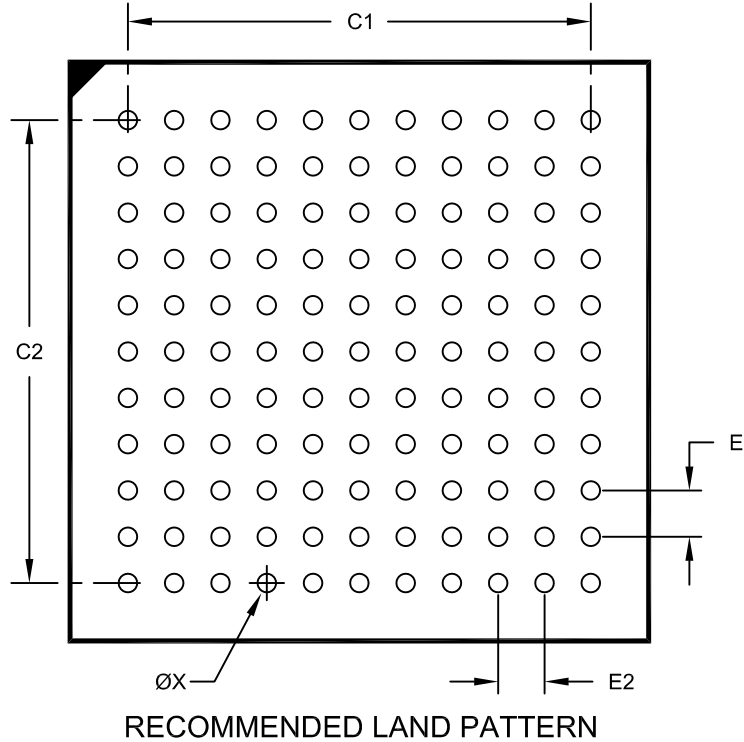
- Ball A1 visual index feature may vary, but must be located within the hatched area.
- Dimensioning and tolerancing per ASME Y14.5M.
BSC: Basic Dimension. Theoretically exact value shown without tolerances.
REF: Reference Dimension, usually without tolerance, for information purposes only.
- The outer rows and columns of balls are located with respect to datums A and B.
- Ball interface to package body: 0.37mm nominal diameter.

Microchip Technology Drawing C04-148 Rev F Sheet 2 of 2

PIC24FJ256GA412/GB412 FAMILY

121-Lead Plastic Thin Profile Ball Grid Array (BG) - 10x10x1.10 mm Body [TFBGA--Formerly XBGA]

Note: For the most current package drawings, please see the Microchip Packaging Specification located at <http://www.microchip.com/packaging>



Dimension Limits	Units	MILLIMETERS		
		MIN	NOM	MAX
Contact Pitch	E1	0.80 BSC		
Contact Pitch	E2	0.80 BSC		
Contact Pad Spacing	C1		8.00	
Contact Pad Spacing	C2		8.00	
Contact Pad Diameter (X121)	X			0.32

Notes:

1. Dimensioning and tolerancing per ASME Y14.5M

BSC: Basic Dimension. Theoretically exact value shown without tolerances.

Microchip Technology Drawing No. C04-2148 Rev D

PIC24FJ256GA412/GB412 FAMILY

NOTES:

PIC24FJ256GA412/GB412 FAMILY

APPENDIX A: REVISION HISTORY

Revision A (February 2015)

Original data sheet for the PIC24FJ256GA412/GB412 family of devices.

Revision B (July 2015)

This revision incorporates the following updates:

- Sections:
 - Updates the Special Microcontroller Features and Peripheral Features sections at the beginning of the data sheet (Page 1 and Page 2).
 - Adds [Section 4.2 “Unique Device Identifier \(UDID\)”](#) and [Section 4.2 “Unique Device Identifier \(UDID\)”](#).
 - Updates [Section 22.0 “Liquid Crystal Display \(LCD\) Controller”](#).
- Registers:
 - Updates [Register 33-1](#) and [Register 33-10](#).
- Tables:
 - Updates the 16/32-Bit Timers column in the Device Features table on [Page 2](#).
 - Updates [Table 1-5](#), [Table 4-5](#), [Table 4-6](#), [Table 4-7](#), [Table 4-8](#), [Table 4-9](#), [Table 4-10](#), [Table 4-11](#), [Table 4-12](#), [Table 23-1](#), [Table 36-4](#), [Table 36-5](#) and [Table 36-5](#).
 - Adds [Table 36-41](#).
- Removes all references to ISO 7816 Support and Deep Sleep mode.
- Changes to text and formatting were incorporated throughout the document.

Revision C (September 2015)

This revision incorporates the following updates:

- Sections:
 - Updates [Section 2.6 “External Oscillator Pins”](#).
 - Removes [Section 4.2 “Unique Device Identifier \(UDID\)”](#) and updates what was Section 4.3 and is now [Section 4.2 “Unique Device Identifier \(UDID\)”](#).
- Tables:
 - Removes [Table 4-3](#) and updates what was [Table 4-4](#) and is now [Table 4-3](#).
 - Replaces all Reset values in [Table 4-5](#) through [Table 4-12](#).
- Registers:
 - Updates [Register 24-3](#), [Register 24-7](#), [Register 24-8](#), [Register 24-9](#) and [Register 24-10](#).

Index and Table of Contents were updated accordingly.

Revision D (December 2016)

This revision incorporates the following updates:

- Sections:
 - Updates [Section 10.5 “VBAT Mode”](#) and [Section 24.5.1 “Write Lock”](#).
- Figures:
 - Updates [Figure 17-1](#) and [Figure 17-2](#).
- Registers:
 - Updates [Register 14-6](#), [Register 14-6](#), [Register 15-2](#), [Register 16-2](#), [Register 17-1](#), [Register 23-3](#), [Register 24-3](#), [Register 28-1](#), [Register 31-3](#), [Register 33-6](#) and [Register 33-9](#).
- Tables:
 - Updates all pin diagrams and [Table 1](#) through [Table 6](#).
 - Updates [Table 1-1](#), [Table 1-2](#), [Table 1-3](#), [Table 1-4](#), [Table 1-5](#), [Table 4-2](#), [Table 4-11](#), [Table 14-6](#), [Table 14-7](#), [Table 33-1](#), [Table 36-7](#) and [Table 36-41](#).
- Examples:
 - Updates [Example 11-4](#) and [Example 24-1](#).

Revision E (November 2019)

This revision incorporates the following updates:

- Sections:
 - Updates [Section 4.2 “Unique Device Identifier \(UDID\)”](#), [Section 5.1.5 “Addressing Modes”](#), [Section 5.2 “Typical Setup”](#), [Section 10.4.1 “Entering Deep Sleep Mode”](#) and [Section 17.0 “Serial Peripheral Interface \(SPI\)”](#).
- Registers:
 - Updates [Register 5-2](#), [Register 6-1](#) and [Register 14-1](#).
 - Adds [Register 14-8](#).
- Tables:
 - Updates [Table 1](#) through [Table 6](#), [Table 1-4](#), [Table 4-3](#), [Table 4-6](#), [Table 4-7](#), [Table 4-8](#), [Table 4-12](#), [Table 5-1](#), [Table 8-1](#), [Table 8-2](#), [Table 11-2](#), [Table 11-7](#), [Table 14-2](#), [Table 14-6](#) and [Table 36-5](#).
- Examples:
 - Updates [Example 10-1](#) and [Example 10-2](#)

PIC24FJ256GA412/GB412 FAMILY

NOTES:

PIC24FJ256GA412/GB412 FAMILY

INDEX

A

A/D

Control Registers	433
Extended DMA Operations	431
Operation	429
Transfer Functions	
10-Bit	446
12-Bit	445

AC Characteristics

10-Bit DAC Specifications	528
A/D Conversion Timing	528
A/D Module	527
CLKO and I/O Timing Requirements	513
External Clock Timing	511
I2Cx Bus Data (Master Mode)	519
I2Cx Bus Data (Slave Mode)	521
I2Cx Bus Start/Stop Bits (Master Mode)	518
I2Cx Bus Start/Stop Bits (Slave Mode)	520
Internal RC Accuracy	512
Load Conditions and Requirements	
for Specifications	510
PLL Clock Timing	512
RC Oscillator Start-up Time	512
Reset and Brown-out Reset Requirements	514
SPIx Master Mode (CKE = 0)	522
SPIx Master Mode (CKE = 1)	523
SPIx Slave Mode (CKE = 0)	524
SPIx Slave Mode (CKE = 1)	525
UARTx Specifications	526
Alternate Interrupt Vector Table (AIVT)	113

B

Block Diagrams

10-Bit A/D Converter Analog Input Model	444
12-Bit A/D Converter	430
16-Bit Asynchronous Timer3 and Timer5	255
16-Bit Synchronous Timer2 and Timer4	255
16-Bit Timer1 Module	249
32-Bit Timer Mode	261
Accessing Program Memory Using	
Table Instructions	91
Addressing for Table Registers	103
BDT Mapping for Endpoint Buffering Modes	334
Buffer Address Generation in PIA Mode	432
CALL Stack Frame	88
CLCx Input Source Selection	385
CLCx Logic Function Combinatorial Options	384
CLCx Module	383
Comparator Voltage Reference Module	457
Conceptual M CCPx/SCCPx Modules	259
CPU Programmer's Model	65
CRC Module	423
CRC Shift Engine Detail	423
Cryptographic Engine	405
CTMU Connections and Internal Configuration	
Capacitance Measurement	460
Pulse Delay Generation	461
Time Measurement	460
Data Access from Program Space Address	
Generation	90
Direct Memory Access (DMA) Functional	95
Dual 16-Bit Timer Mode	261
EDS Address Generation for Read Operations	86

EDS Address Generation for Write Operations	87
High/Low-Voltage Detect (HLVD)	467
High-Level RTCC	393
I2Cx Module	310
Individual Comparator Configurations, CREF = 0	452
Individual Comparator Configurations,	
CREF = 1 and CVREFF = 0	453
Individual Comparator Configurations,	
CREF = 1 and CVREFF = 1	453
Input Capture x Module	264, 277
LCD Controller	375
MCLR Pin Connections Example	58
On-Chip Regulator Connections	485
Output Compare x (16-Bit Mode)	284
Output Compare x (Double-Buffered,	
16-Bit PWM Mode)	286
Output Compare x Module	263
PIC24F CPU Core	64
PIC24F256GA412 Family (General)	25
PIC24FJ256GB412 Family (General)	26
PLL System	191
PSV Operation (Lower Word)	93
PSV Operation (Upper Word)	93
Recommended Minimum Connections	57
Reference Clock (Simplified)	193
Reset System	107
Shared I/O Port Structure	216
Simplified Single DAC	447
SPIx Master, Frame Master Connection	307
SPIx Master, Frame Slave Connection	308
SPIx Master/Slave Connection	
(Enhanced Buffer Modes)	307
SPIx Master/Slave Connection (Standard Mode)	306
SPIx Module (Enhanced Mode)	295
SPIx Module (Standard Mode)	294
SPIx Slave, Frame Master Connection	308
SPIx Slave, Frame Slave Connection	308
System Clock	183
Timer Clock Generator	260
Timer2/3 and Timer4/5 (32-Bit)	254
Triple Comparator Module	451
UARTx (Simplified)	317
USB OTG Bus Power Only Interface Mode	331
USB OTG Dual Power Mode	331
USB OTG Host Interface Example	332
USB OTG Interface Example	332
USB OTG Interrupt Funnel	338
USB OTG Module	330
USB OTG Self-Power Only Mode	331
Watchdog Timer (WDT)	486

C

Capture/Compare/PWM/Timer

Auxiliary Output	265
General Purpose Timer	260
Input Capture Mode	264
Output Compare Mode	262
Synchronization Sources	269
Time Base Generator	260
Capture/Compare/PWM/Timer (M CCP, SCCP)	259
Charge Time Measurement Unit. See CTMU.	
CLC	
Control Registers	386

PIC24FJ256GA412/GB412 FAMILY

Code Examples		
Basic Clock Switching	190	
Configuring UART1 Input/Output Functions	230	
EDS Read from Program Memory in		
Assembly Code	92	
EDS Read in Assembly Code	86	
EDS Write in Assembly Code	87	
IOC Status Read/Clear in Assembly	223	
Port Read/Write in Assembly	223	
Port Read/Write in C	223	
PWRSAV Instruction Syntax	198	
Setting the WRLOCK Bit	397	
The Repeat Sequence	201	
Code Protection	487	
CodeGuard™ Security	487	
Comparator Voltage Reference	457	
Configuring	457	
Configurable Logic Cell (CLC)	383	
Configurable Logic Cell. <i>See</i> CLC.		
Configuration Bits	469	
Configuration Word Addresses	470	
Core Features	19	
Dual Partition Flash Memory	19	
XLP Technology	19	
CPU		
Arithmetic Logic Unit (ALU)	68	
Clocking Scheme	184	
Control Registers	66	
Core Registers	64	
Programmer's Model	63	
CRC		
Polynomials	424	
Setup Examples for 16 and 32-Bit Polynomials	424	
User Interface	424	
Cryptographic Engine	20, 405	
Data Register Spaces	406	
Decrypting Data	407	
Enabling	406	
Encrypting Data	407	
Key RAM	411	
Operation Modes	406	
Sleep and Idle modes	411	
Programming		
CFGPAGE Configuration Bits	410	
Key Erasure	411	
Keys	410	
Verifying Keys	411	
Pseudorandom Number (PRN) Generation	409	
Session Keys		
Encrypting	408	
Receiving	408	
Testing Key Source Configuration	409	
True Random Number (TRN) Generation	409	
CTMU		
Measuring Capacitance	459	
Measuring Time	460	
Pulse Generation and Delay	461	
Customer Change Notification Service	552	
Customer Notification Service	552	
Customer Support	552	
Cyclic Redundancy Check. <i>See</i> CRC.		
D		
Data Memory		
Address Space	75	
Extended Data Space (EDS)	85	
Near Data Space	76	
SFR Space	76	
Software Stack	88	
Space Organization, Alignment	76	
Data Space Memory Maps		
PIC24FJ256GA412/GB412 Family	75	
DC Characteristics		
Comparator	509	
Comparator Voltage Reference	509	
CTMU Current Source	507	
Delta Current (BOR, WDT, HLVD, RTCC, DSBOR, DSWDT, LCD)	504	
I/O Pin Input Specifications	505	
I/O Pin Output Specifications	506	
Idle Current (IDLE)	502	
Operating Current (IDD)	502	
Power-Down Current (IPD)	503	
Program Memory	506	
Temperature and Voltage Specifications	501	
USB OTG Specifications	508	
Development Support	489	
Device Features		
100-Pin	23	
121-Pin	24	
64-Pin	22	
Digital-to-Analog Converter. <i>See</i> DAC.		
Direct Memory Access (DMA) Controller	20	
Direct Memory Access Controller. <i>See</i> DMA.		
DMA		
Channel Trigger Sources	102	
Control Registers	98	
Peripheral Module Disable (PMD)	98	
Summary of Operations	96	
Types of Data Transfers	97	
Typical Setup	98	
E		
Electrical Characteristics		
Absolute Maximum Ratings	499	
Capacitive Loading on Output Pins	510	
High/Low-Voltage Detect	508	
Input Capture x Requirements	516	
Internal Voltage Regulator	507	
Output Compare 1	516	
PWMx Requirements	517	
Thermal Operating Conditions	500	
Thermal Packaging Characteristics	500	
Timer1/2/3/4/5 External Clock Input	515	
V/F Graph	500	
VBAT Operating Voltage	507	
Enhanced Parallel Master Port (EPMP)		
Feature Differences by Pin Count	363	
Key Features	363	
Package Variations	363	
Pin Descriptions	364	
Enhanced Parallel Master Port. <i>See</i> EPMP.		

PIC24FJ256GA412/GB412 FAMILY

Equations			
16-Bit, 32-Bit CRC Polynomials	424		
A/D Conversion Clock Period	444		
Calculating the PWM Period	286		
Calculation for Maximum PWM Resolution.....	287		
Estimating USB Transceiver			
Current Consumption.....	333		
I ² C Baud Rate Reload Calculation.....	311		
Relationship Between Device and SPIx			
Clock Speed	308		
RTCC Clock Divider Output Frequency.....	394		
UARTx Baud Rate with BRGH = 0	318		
UARTx Baud Rate with BRGH = 1	318		
Errata	18		
Extended Data Space (EDS)	85, 363		
Reading from Program Memory.....	92		
Reads from	86		
Writes to.....	87		
F			
Flash Configuration Words	73		
Flash Program Memory	103		
and Table Instructions.....	103		
Control Registers	104		
Enhanced ICSP Operation.....	104		
JTAG Operation	104		
Operations	104		
Programming Algorithm	104		
RTSP Operation.....	104		
G			
Getting Started			
Basic Connection Requirements.....	57		
External Oscillator Pins.....	61		
ICSP Operation			
Analog and Digital Pin Configuration	62		
Pins	60		
Master Clear Reset (MCLR) Pin	58		
Power Supply Pins.....	58		
Voltage Regulator (VCAP)	59		
H			
High/Low-Voltage Detect (HLVD)	467		
High/Low-Voltage Detect. <i>See</i> HLVD.			
I			
I/O Ports			
Analog Port Pins Configuration (ANSx)	216		
Configuring Analog/Digital Function of I/O Pin.....	217		
Interrupt-on-Change (IOC).....	223		
Open-Drain Configuration	216		
Parallel (PIO)	215		
Peripheral Pin Select	226		
Pull-ups and Pull-Downs.....	223		
Write/Read Timing	216		
I ² C			
Clock Rates.....	311		
Communicating as Master in Single			
Master Environment.....	309		
Reserved Addresses.....	311		
Setting Baud Rate as Bus Master.....	311		
Slave Address Masking	311		
Input Capture			
32-Bit Cascaded Mode	278		
Operations	278		
Synchronous and Trigger Modes.....	277		
Input Capture with Dedicated Timers	277		
Instruction Set			
Overview.....	493		
Summary	491		
Symbols Used in Opcode Descriptions	492		
Interfacing Program and Data Spaces.....	89		
Inter-Integrated Circuit. <i>See</i> I ² C.			
Internet Address	552		
Interrupt Controller.....	113		
Interrupt Vector Table (IVT).....	113		
Interrupt-on-Change (IOC).....	223		
Interrupts			
Control and Status Registers.....	118		
Implemented Vectors.....	115		
Reset Sequence	113		
Setup and Service Procedures.....	181		
Trap Vectors	114		
Vector Tables	114		
J			
JTAG Interface	487		
K			
Key Features	469		
L			
LCD Controller	20		
Registers	376		
Liquid Crystal Display (LCD) Controller.....	375		
Liquid Crystal Display. <i>See</i> LCD.			
Low-Voltage/Retention Regulator.....	199		
M			
Memory Organization	69		
Microchip Internet Web Site.....	552		
N			
Near Data Space	76		
O			
On-Chip Voltage Regulator.....	485		
POR.....	485		
Standby Mode	485		
Oscillator Configuration			
Clock Switching	189		
Sequence	189		
Configuration Bit Values for Clock Selection	184		
Control Registers.....	185		
FRC Active Clock Tuning	190		
Initial Configuration on POR.....	184		
PLL Block	191		
Reference Clock	193		
Secondary Oscillator	192		
USB Operation			
Special Considerations.....	192		
Output Compare			
32-Bit Cascaded Mode	283		
Operations	284		
Synchronous and Trigger Modes	283		
Output Compare with Dedicated Timers.....	283		
P			
Packaging	529		
Details.....	531		
Marking.....	529		

PIC24FJ256GA412/GB412 FAMILY

Peripheral Pin Select (PPS)	226	Register Maps	
Available Peripherals and Pins	226	PORTA	218
Configuration Control	229	PORTB	218
Considerations for Use	230	PORTC	219
Input Mapping	226	PORTD	219
Mapping Exceptions	229	PORTE	220
Output Mapping	228	PORTF	220
Peripheral Priority	226	PORTG	221
Registers	231	PORTH	221
Selectable Input Sources	227	PORTJ	222
Selectable Output Sources	228	Registers	
Pin Descriptions		AD1CHITH (A/D Scan Compare Hit, High Word)	441
PIC24FJXXXGA406 Devices	4	AD1CHITL (A/D Scan Compare Hit, Low Word)	441
PIC24FJXXXGA410 Devices	8	AD1CHS (A/D Sample Select)	439
PIC24FJXXXGA412 Devices	12	AD1CON1 (A/D Control 1)	433
PIC24FJXXXGB406 Devices	6	AD1CON2 (A/D Control 2)	435
PIC24FJXXXGB410 Devices	10	AD1CON3 (A/D Control 3)	436
PIC24FJXXXGB412 Devices	15	AD1CON4 (A/D Control 4)	437
Pinout Descriptions		AD1CON5 (A/D Control 5)	438
PIC24FJ256GA412 Family	27	AD1CSSH (A/D Input Scan Select, High Word)	442
PIC24FJ256GB412 Family	42	AD1CSSL (A/D Input Scan Select, Low Word)	442
Power-Saving Features	197	AD1CTMENH (A/D CTMU Enable, High Word)	443
Clock Frequency and Clock Switching	207	AD1CTMENL (A/D CTMU Enable, Low Word)	443
Deep Sleep WDT	202	ANCFG (A/D Band Gap	
Doze Mode	207	Reference Configuration)	440
Hardware-Based Modes	199	BDnSTAT Prototype (Buffer Descriptor n Status,	
Instruction-Based Modes	198	CPU Mode)	337
Deep Sleep	200	BDnSTAT Prototype (Buffer Descriptor n Status,	
I/O Pins	201	USB Mode)	336
Idle	199	CCPxCON1H (CCPx Control 1 High)	268
Sleep	199	CCPxCON1L (CCPx Control 1 Low)	266
Low-Voltage/Retention Sleep	199	CCPxCON2H (CCPx Control 2 High)	271
Overview of Modes	197	CCPxCON2L (CCPx Control 2 Low)	270
Power-on Resets (PORs)	202	CCPxCON3H (CCPx Control 3 High)	273
Selective Peripheral Control	207	CCPxCON3L (CCPx Control 3 Low)	272
VBAT Mode	203	CCPxSTATH (CCPx Status High)	275
Product Identification System	554	CCPxSTATL (CCPx Status)	274
Program Memory		CFGPAGE (Secure Array Configuration Bits)	417
Access Using Table Instructions	91	CLCxCONH (CLCx Control High)	387
Address Construction	89	CLCxCONL (CLCx Control Low)	386
Address Space	69	CLCxGLSH (CLCx Gate Logic Input	
Dual Partition Configuration Words	73	Select High)	391
Flash Configuration Words	73	CLCxGLSL (CLCx Gate Logic Input Select Low)	389
Hard Memory Vectors	70	CLCxSEL (CLCx Input MUX Select)	388
Organization	70	CLKDIV (Clock Divider)	187
OTP Memory	73	CMSTAT (Comparator Status)	455
Reading from Program Memory Using EDS	92	CMxCON (Comparator x Control,	
Single and Dual Partition Memory Organization	70	Comparators 1-3)	454
Program Memory Maps		CORCON (CPU Control)	120
Default for PIC24FJ256GA412/GB412 Family	69	CORCON (CPU Core Control)	67
Single and Dual Partition Flash Modes	71	CRCCON1 (CRC Control 1)	426
Pull-ups and Pull-Downs (I/O)	223	CRCCON2 (CRC Control 2)	427
Pulse-Width Modulation (PWM) Mode	285	CRCXORH (CRC XOR Polynomial, High Byte)	428
Pulse-Width Modulation. See PWM.		CRCXORL (CRC XOR Polynomial, Low Byte)	428
PWM		CRYCONH (Cryptographic Control High)	412
Duty Cycle and Period	286	CRYCONL (Cryptographic Control Low)	413
R		CRYOTP (Cryptographic OTP Page	
Real-Time Clock and Calendar (RTCC)		Program Control)	416
with Timestamp	393	CRYSTAT (Cryptographic Status)	415
Real-Time Clock and Calendar. See RTCC.		CTMUCON1H (CTMU Control 1 High)	463
		CTMUCON1L (CTMU Control 1 Low)	462
		CTMUCON2L (CTMU Control 2 Low)	465

PIC24FJ256GA412/GB412 FAMILY

CVRCON (Comparator Voltage Reference Control)	458	IPC16 (Interrupt Priority Control 16)	166
DACxCON (DAC Control)	448	IPC17 (Interrupt Priority Control 17)	167
DATEH/ALMDATEH/TSADATEH/TSBDATEH (RTCC Date High)	404	IPC18 (Interrupt Priority Control 18)	168
DATEL/ALMDATEL/TSADATEL/TSBDATEL (RTCC Date Low)	404	IPC19 (Interrupt Priority Control 19)	169
DEVID (Device ID)	484	IPC2 (Interrupt Priority Control 2)	152
DEVREV (Device Revision)	484	IPC20 (Interrupt Priority Control 20)	170
DMACHn (DMA Channel n Control)	100	IPC21 (Interrupt Priority Control 21)	171
DMACON (DMA Engine Control)	99	IPC22 (Interrupt Priority Control 22)	172
DMAINTn (DMA Channel n Interrupt)	101	IPC23 (Interrupt Priority Control 23)	173
DSCON (Deep Sleep Control)	204	IPC24 (Interrupt Priority Control 24)	174
DSWAKE (Deep Sleep Wake-up Source)	205	IPC25 (Interrupt Priority Control 25)	175
FBOOT (Boot Mode Configuration Word)	483	IPC26 (Interrupt Priority Control 26)	176
FBSLIM (Boot Segment Limit Configuration Word)	472	IPC27 (Interrupt Priority Control 27)	177
FBTSEQ (Boot Sequence Configuration Word)	482	IPC28 (Interrupt Priority Control 28)	178
FDEVOPT1 (Device Options Configuration Word)	481	IPC29 (Interrupt Priority Control 29)	179
FDS (Deep Sleep Configuration Word)	479	IPC3 (Interrupt Priority Control 3)	153
FICD (ICD Configuration Word)	478	IPC4 (Interrupt Priority Control 4)	154
FOSC (Oscillator Configuration Word)	474	IPC5 (Interrupt Priority Control 5)	155
FOSCSEL (Oscillator Select Configuration Word)	473	IPC6 (Interrupt Priority Control 6)	156
FPOR (POR Configuration Word)	477	IPC7 (Interrupt Priority Control 7)	157
FSEC (Security Configuration Word)	471	IPC8 (Interrupt Priority Control 8)	158
FSIGN (Signature Configuration Word)	472	IPC9 (Interrupt Priority Control 9)	159
FWDT (Watchdog Timer Configuration Word)	475	LCDCON (LCD Control)	376
HLVDCON (High/Low-Voltage Detect Control)	468	LCDDATAx (LCD Data x)	379
I2CxCONH (I2Cx Control High)	314	LCDPS (LCD Phase)	378
I2CxCONL (I2Cx Control Low)	312	LCDREF (LCD Reference Ladder Control)	381
I2CxMSK (I2Cx Slave Mode Address Mask)	316	LCDREG (LCD Charge Pump Control)	377
I2CxSTAT (I2Cx Status)	315	LCDSEx (LCD Segment x Enable)	379
ICxCON1 (Input Capture x Control 1)	279	NVMCON (Flash Memory Control)	105
ICxCON2 (Input Capture x Control 2)	280	OCxCON1 (Output Compare x Control 1)	288
IEC0 (Interrupt Enable Control 0)	137	OCxCON2 (Output Compare x Control 2)	290
IEC1 (Interrupt Enable Control 1)	139	OSCCON (Oscillator Control)	185
IEC2 (Interrupt Enable Control 2)	141	OSCTUN (FRC Oscillator Tune)	188
IEC3 (Interrupt Enable Control 3)	143	PADCON (Pad Configuration Control)	373
IEC4 (Interrupt Enable Control 4)	145	PADCON (Port Configuration)	224
IEC5 (Interrupt Enable Control 5)	146	PMCON1 (EPMP Control 1)	365
IEC6 (Interrupt Enable Control 6)	148	PMCON2 (EPMP Control 2)	366
IEC7 (Interrupt Enable Control 7)	149	PMCON3 (EPMP Control 3)	367
IFS0 (Interrupt Flag Status 0)	124	PMCON4 (EPMP Control 4)	368
IFS1 (Interrupt Flag Status 1)	126	PMCSxBS (EPMP Chip Select x Base Address)	370
IFS2 (Interrupt Flag Status 2)	128	PMCSxCF (EPMP Chip Select x Configuration)	369
IFS3 (Interrupt Flag Status 3)	130	PMCSxMD (EPMP Chip Select x Mode)	371
IFS4 (Interrupt Flag Status 4)	132	PMD1 (Peripheral Module Disable 1)	208
IFS5 (Interrupt Flag Status 5)	133	PMD2 (Peripheral Module Disable 2)	209
IFS6 (Interrupt Flag Status 6)	135	PMD3 (Peripheral Module Disable 3)	210
IFS7 (Interrupt Flag Status 7)	136	PMD4 (Peripheral Module Disable 4)	211
INTCON1 (Interrupt Control 1)	121	PMD5 (Peripheral Module Disable 5)	212
INTCON2 (Interrupt Control 2)	122	PMD6 (Peripheral Module Disable 6)	213
INTCON4 (Interrupt Control 4)	123	PMD7 (Peripheral Module Disable 7)	213
INTTREG (Interrupt Controller Test)	180	PMD8 (Peripheral Module Disable 8)	214
IOCSSTAT (Interrupt-on-Change Status)	225	PMSTAT (EPMP Status, Slave Mode)	372
IPC0 (Interrupt Priority Control 0)	150	RCON (Reset Control)	108
IPC1 (Interrupt Priority Control 1)	151	RCON2 (Reset and System Control 2)	110, 206
IPC10 (Interrupt Priority Control 10)	160	REFOCONH (Reference Clock Control High)	195
IPC11 (Interrupt Priority Control 11)	161	REFOCONL (Reference Clock Control Low)	194
IPC12 (Interrupt Priority Control 12)	162	REFOTRIML (Reference Clock Trim)	195
IPC13 (Interrupt Priority Control 13)	163	RPINR0 (PPS Input 0)	231
IPC14 (Interrupt Priority Control 14)	164	RPINR1 (PPS Input 1)	231
IPC15 (Interrupt Priority Control 15)	165	RPINR11 (PPS Input 11)	234
		RPINR12 (PPS Input 12)	235
		RPINR17 (PPS Input 17)	235
		RPINR18 (PPS Input 18)	236
		RPINR19 (PPS Input 19)	236
		RPINR2 (PPS Input 2)	232
		RPINR20 (PPS Input 20)	237

PIC24FJ256GA412/GB412 FAMILY

RPINR21 (PPS Input 21)	237	U1PWRC (USB Power Control).....	346
RPINR22 (PPS Input 22)	238	U1SOF (USB OTG Start-of-Token Threshold, Host Mode).....	351
RPINR23 (PPS Input 23)	238	U1STAT (USB Status).....	347
RPINR25 (PPS Input 25)	239	U1TOK (USB Token, Host Mode).....	350
RPINR27 (PPS Input 27)	239	UxGTC (UARTx Guard Time Counter).....	327
RPINR28 (PPS Input 28)	240	UxMODE (UARTx Mode).....	320
RPINR29 (PPS Input 29)	240	UxSCCON (UARTx Smart Card Control)	325
RPINR3 (PPS Input 3)	232	UxSCINT (UARTx Smart Card Interrupt).....	326
RPINR4 (PPS Input 4)	233	UxSTAH (UARTx Status High and Control).....	323
RPINR7 (PPS Input 7)	233	UxSTAL (UARTx Status Low and Control).....	322
RPINR8 (PPS Input 8)	234	UxTXREG (UARTx Transmit).....	324
RPOR0 (PPS Output 0)	241	UxWTCH (UARTx Waiting Time Counter, Upper Bits).....	328
RPOR1 (PPS Output 1)	241	UxWTCL (UARTx Waiting Time Counter, Lower Bits).....	328
RPOR10 (PPS Output 10).....	246	Resets	
RPOR11 (PPS Output 11).....	246	BOR (Brown-out Reset).....	107
RPOR12 (PPS Output 12).....	247	Brown-out Reset (BOR).....	111
RPOR13 (PPS Output 13).....	247	Clock Source Selection.....	111
RPOR14 (PPS Output 14).....	248	CM (Configuration Mismatch Reset).....	107
RPOR15 (PPS Output 15).....	248	Delay Times.....	112
RPOR2 (PPS Output 2)	242	Device Times.....	111
RPOR3 (PPS Output 3)	242	<u>IOPUWR</u> (Illegal Opcode Reset)	107
RPOR4 (PPS Output 4)	243	<u>MCLR</u> (Master Clear Pin Reset)	107
RPOR5 (PPS Output 5)	243	POR (Power-on Reset).....	107
RPOR6 (PPS Output 6)	244	RCON Flags, Operation.....	110
RPOR7 (PPS Output 7)	244	SFR States	111
RPOR8 (PPS Output 8)	245	SWR (<u>RESET</u> Instruction)	107
RPOR9 (PPS Output 9)	245	TRAPR (Trap Conflict Reset)	107
RTCCON1H (RTCC Control 1 High).....	399	UWR (Uninitialized W Register Reset).....	107
RTCCON1L (RTCC Control 1 Low).....	398	WDT (Watchdog Timer Reset)	107
RTCCON2H (RTCC Control 2 High).....	401	Revision History.....	543
RTCCON2L (RTCC Control 2 Low).....	400	RTCC	
RTCCON3L (RTCC Control 3 Low).....	401	Alarm Configuration	395
RTCSTATL (RTCC Status Low)	402	Alarm Mask Settings (figure)	395
SPIxCON1H (SPIx Control 1 High).....	298	Control and Status Registers.....	398
SPIxCON1L (SPIx Control 1 Low)	296	Date/Alarm/Timestamp Value Registers.....	404
SPIxCON2L (SPIx Control 2 Low)	300	Event Timestamping.....	396
SPIxIMSKH (SPIx Interrupt Mask High).....	305	Module Registers.....	397
SPIxIMSKL (SPIx Interrupt Mask Low).....	304	Power Control.....	396
SPIxSTATH (SPIx Status High)	303	Source Clock	394
SPIxSTATL (SPIx Status Low)	301	Selection.....	394
SR (ALU STATUS)	66, 119	Time/Alarm/Timestamp Value Registers	403
T1CON (Timer1 Control).....	250	Write Lock.....	397
TIMEH/ALMTIMEH/TSATIMEH/TSBTIMEH (RTCC Time High)	403	S	
TIMEL/ALMTIMEL/TSATIMEL/TSBTIMEL (RTCC Time Low)	403	Serial Peripheral Interface (SPI).....	293
TxCON (Timer2 and Timer4 Control).....	256	Serial Peripheral Interface. <i>See</i> SPI.	
TyCON (Timer3 and Timer5 Control).....	258	SFR Blocks	
U1ADDR (USB Address)	350	000h.....	77
U1CNFG1 (USB Configuration 1).....	352	100h.....	78
U1CNFG2 (USB Configuration 2)	353	200h.....	79
U1CON (USB Control, Device Mode).....	348	300h.....	80
U1CON (USB Control, Host Mode).....	349	400h.....	81
U1EIE (USB Error Interrupt Enable)	360	500h.....	82
U1EIR (USB Error Interrupt Status).....	359	600h.....	83
U1EPn (USB Endpoint n Control).....	361	700h.....	84
U1IE (USB Interrupt Enable, All Modes).....	358	SFR Space	76
U1IR (USB Interrupt Status, Device Mode)	356	Software Stack.....	88
U1IR (USB Interrupt Status, Host Mode).....	357	Special Features.....	21
U1OTGCON (USB OTG Control)	345		
U1OTGIE (USB OTG Interrupt Enable, Host Mode)	355		
U1OTGIR (USB OTG Interrupt Status, Host Mode)	354		
U1OTGSTAT (USB OTG Status, Host Mode)	344		

PIC24FJ256GA412/GB412 FAMILY

T

Timer1	249
Timer2/3 and Timer4/5	253
Timing Diagrams	
CLKO and I/O	513
External Clock	511
I2Cx Bus Data (Master Mode)	519
I2Cx Bus Data (Slave Mode)	521
I2Cx Bus Start/Stop Bits (Master Mode)	518
I2Cx Bus Start/Stop Bits (Slave Mode)	520
Input Capture x	516
Output Compare x	516
PWMx Requirements	517
SPIx Master Mode (CKE = 0)	522
SPIx Master Mode (CKE = 1)	523
SPIx Slave Mode (CKE = 0)	524
SPIx Slave Mode (CKE = 1)	525
Timer1/2/3/4/5 External Clock Input	515
UARTx Baud Rate Generator Output	526
UARTx Start Bit Edge Detection	526
Triple Comparator Module	451

U

UART

Baud Rate Generator (BRG)	318
Infrared Support	319
Operation of UxCTS and UxRTS Pins	319
Receiving	
8-Bit or 9-Bit Data Mode	319
Transmitting	
8-Bit Data Mode	319
9-Bit Data Mode	319
Break and Sync Sequence	319
Unique Device Identifier (UDID)	74

Universal Asynchronous Receiver Transmitter. See UART.

Universal Serial Bus. See USB OTG.

Unused I/Os	62
USB On-The-Go (OTG)	20, 329
Buffer Descriptors and BDT	334
Assignment in Different Buffering Modes	335
Device Mode Operation	339
DMA Interface	335
Hardware	
Calculating Transceiver Power	
Requirements	333
Device Mode Configuration	331
Host and OTG Mode Configuration	332
Host Mode Operation	340
Interrupts	338
and USB Transactions	339
Operation	342
HNP	343
SRP	342
Registers	343

W

Watchdog Timer (WDT)	486
Control Register	486
Windowed Operation	486
WWW Address	552
WWW, On-Line Support	18

PIC24FJ256GA412/GB412 FAMILY

NOTES:

PIC24FJ256GA412/GB412 FAMILY

THE MICROCHIP WEBSITE

Microchip provides online support via our WWW site at www.microchip.com. This website is used as a means to make files and information easily available to customers. Accessible by using your favorite Internet browser, the website contains the following information:

- **Product Support** – Data sheets and errata, application notes and sample programs, design resources, user's guides and hardware support documents, latest software releases and archived software
- **General Technical Support** – Frequently Asked Questions (FAQ), technical support requests, online discussion groups, Microchip consultant program member listing
- **Business of Microchip** – Product selector and ordering guides, latest Microchip press releases, listing of seminars and events, listings of Microchip sales offices, distributors and factory representatives

CUSTOMER CHANGE NOTIFICATION SERVICE

Microchip's customer notification service helps keep customers current on Microchip products. Subscribers will receive e-mail notification whenever there are changes, updates, revisions or errata related to a specified product family or development tool of interest.

To register, access the Microchip website at www.microchip.com. Under "Support", click on "Customer Change Notification" and follow the registration instructions.

CUSTOMER SUPPORT

Users of Microchip products can receive assistance through several channels:

- Distributor or Representative
- Local Sales Office
- Field Application Engineer (FAE)
- Technical Support

Customers should contact their distributor, representative or Field Application Engineer (FAE) for support. Local sales offices are also available to help customers. A listing of sales offices and locations is included in the back of this document.

Technical support is available through the website at: <http://microchip.com/support>

PIC24FJ256GA412/GB412 FAMILY

NOTES:

PIC24FJ256GA412/GB412 FAMILY

PRODUCT IDENTIFICATION SYSTEM

To order or obtain information, e.g., on pricing or delivery, refer to the factory or the listed sales office.

	PIC	24	FJ	256	GB4	10	T	-	I	/	PT	-	XXX
Microchip Trademark	_____	_____	_____	_____	_____	_____	_____	_____	_____	_____	_____	_____	_____
Architecture	_____	_____	_____	_____	_____	_____	_____	_____	_____	_____	_____	_____	_____
Flash Memory Family	_____	_____	_____	_____	_____	_____	_____	_____	_____	_____	_____	_____	_____
Program Memory Size (Kbytes)	_____	_____	_____	_____	_____	_____	_____	_____	_____	_____	_____	_____	_____
Product Group	_____	_____	_____	_____	_____	_____	_____	_____	_____	_____	_____	_____	_____
Pin Count	_____	_____	_____	_____	_____	_____	_____	_____	_____	_____	_____	_____	_____
Tape and Reel Flag (if applicable)	_____	_____	_____	_____	_____	_____	_____	_____	_____	_____	_____	_____	_____
Temperature Range	_____	_____	_____	_____	_____	_____	_____	_____	_____	_____	_____	_____	_____
Package	_____	_____	_____	_____	_____	_____	_____	_____	_____	_____	_____	_____	_____
Pattern	_____	_____	_____	_____	_____	_____	_____	_____	_____	_____	_____	_____	_____

Architecture	24	= 16-Bit Modified Harvard without DSP
Flash Memory Family	FJ	= Flash Program Memory
Product Group	GA4	= General Purpose Microcontrollers with Dual Partition Flash Program Memory and XLP Technology
	GB4	= USB OTG Microcontrollers with Dual Partition Flash Program Memory and XLP Technology
Pin Count	06	= 64-pin (TQFP, QFN)
	10	= 100-pin (TQFP)
	12	= 121-pin (TFBGA)
Temperature Range	I	= -40°C to +85°C (Industrial)
Package	BG	= 121-ball (10x10x1.1 mm) TFBGA (Ball Grid Array)
	PT	= 100-lead (12x12x1 mm) TQFP (Thin Quad Flatpack)
	PT	= 64-lead (10x10x1 mm) TQFP (Thin Quad Flatpack)
	MR	= 64-lead (9x9x0.9 mm) QFN (Quad Flatpack, No Lead)
Pattern		Three-digit QTP, SQTP, Code or Special Requirements (blank otherwise)
	ES	= Engineering Sample

Examples:

- PIC24FJ64GA406-I/MR:
PIC24F General Purpose Device with Dual Partition Flash Program Memory and XLP Technology, 64-Kbyte Program Memory, 64-Pin, Industrial Temp., QFN Package.
- PIC24FJ128GB410-I/PT:
PIC24F USB OTG Device with Dual Partition Flash Program Memory and XLP Technology, 128-Kbyte Program Memory, 100-Pin, Industrial Temp., TQFP Package.
- PIC24FJ256GB412-I/BG:
PIC24F USB OTG Device with Dual Partition Flash Program Memory and XLP Technology, 256-Kbyte Program Memory, 121-Pin, Industrial Temp., TFBGA Package.

PIC24FJ256GA412/GB412 FAMILY

NOTES:

Note the following details of the code protection feature on Microchip devices:

- Microchip products meet the specification contained in their particular Microchip Data Sheet.
- Microchip believes that its family of products is one of the most secure families of its kind on the market today, when used in the intended manner and under normal conditions.
- There are dishonest and possibly illegal methods used to breach the code protection feature. All of these methods, to our knowledge, require using the Microchip products in a manner outside the operating specifications contained in Microchip's Data Sheets. Most likely, the person doing so is engaged in theft of intellectual property.
- Microchip is willing to work with the customer who is concerned about the integrity of their code.
- Neither Microchip nor any other semiconductor manufacturer can guarantee the security of their code. Code protection does not mean that we are guaranteeing the product as “unbreakable.”

Code protection is constantly evolving. We at Microchip are committed to continuously improving the code protection features of our products. Attempts to break Microchip's code protection feature may be a violation of the Digital Millennium Copyright Act. If such acts allow unauthorized access to your software or other copyrighted work, you may have a right to sue for relief under that Act.

Information contained in this publication regarding device applications and the like is provided only for your convenience and may be superseded by updates. It is your responsibility to ensure that your application meets with your specifications. MICROCHIP MAKES NO REPRESENTATIONS OR WARRANTIES OF ANY KIND WHETHER EXPRESS OR IMPLIED, WRITTEN OR ORAL, STATUTORY OR OTHERWISE, RELATED TO THE INFORMATION, INCLUDING BUT NOT LIMITED TO ITS CONDITION, QUALITY, PERFORMANCE, MERCHANTABILITY OR FITNESS FOR PURPOSE. Microchip disclaims all liability arising from this information and its use. Use of Microchip devices in life support and/or safety applications is entirely at the buyer's risk, and the buyer agrees to defend, indemnify and hold harmless Microchip from any and all damages, claims, suits, or expenses resulting from such use. No licenses are conveyed, implicitly or otherwise, under any Microchip intellectual property rights unless otherwise stated.

Trademarks

The Microchip name and logo, the Microchip logo, Adaptec, AnyRate, AVR, AVR logo, AVR Freaks, BesTime, BitCloud, chipKIT, chipKIT logo, CryptoMemory, CryptoRF, dsPIC, FlashFlex, flexPWR, HELDO, IGLOO, JukeBlox, KeeLoq, Klear, LANCheck, LinkMD, maXStylus, maXTouch, MediaLB, megaAVR, Microsemi, Microsemi logo, MOST, MOST logo, MPLAB, OptoLyzer, PackeTime, PIC, picoPower, PICSTART, PIC32 logo, PolarFire, Prochip Designer, QTouch, SAM-BA, SenGenuity, SpyNIC, SST, SST Logo, SuperFlash, Symmetricom, SyncServer, Tachyon, TempTracker, TimeSource, tinyAVR, UNI/O, Vectron, and XMEGA are registered trademarks of Microchip Technology Incorporated in the U.S.A. and other countries.

APT, ClockWorks, The Embedded Control Solutions Company, EtherSynch, FlashTec, Hyper Speed Control, HyperLight Load, IntelliMOS, Libero, motorBench, mTouch, Powermite 3, Precision Edge, ProASIC, ProASIC Plus, ProASIC Plus logo, Quiet-Wire, SmartFusion, SyncWorld, Temux, TimeCesium, TimeHub, TimePictra, TimeProvider, Vite, WinPath, and ZL are registered trademarks of Microchip Technology Incorporated in the U.S.A.

Adjacent Key Suppression, AKS, Analog-for-the-Digital Age, Any Capacitor, AnyIn, AnyOut, BlueSky, BodyCom, CodeGuard, CryptoAuthentication, CryptoAutomotive, CryptoCompanion, CryptoController, dsPICDEM, dsPICDEM.net, Dynamic Average Matching, DAM, ECAN, EtherGREEN, In-Circuit Serial Programming, ICSP, INICnet, Inter-Chip Connectivity, JitterBlocker, KlearNet, KlearNet logo, memBrain, Mindi, MiWi, MPASM, MPF, MPLAB Certified logo, MPLIB, MPLINK, MultiTRAK, NetDetach, Omniscient Code Generation, PICDEM, PICDEM.net, PICkit, PICtail, PowerSmart, PureSilicon, QMatrix, REAL ICE, Ripple Blocker, SAM-ICE, Serial Quad I/O, SMART-I.S., SQI, SuperSwitcher, SuperSwitcher II, Total Endurance, TSHARC, USBCheck, VariSense, ViewSpan, WiperLock, Wireless DNA, and ZENA are trademarks of Microchip Technology Incorporated in the U.S.A. and other countries.

SQTP is a service mark of Microchip Technology Incorporated in the U.S.A.

The Adaptec logo, Frequency on Demand, Silicon Storage Technology, and Symmcom are registered trademarks of Microchip Technology Inc. in other countries.

GestIC is a registered trademark of Microchip Technology Germany II GmbH & Co. KG, a subsidiary of Microchip Technology Inc., in other countries.

All other trademarks mentioned herein are property of their respective companies.

© 2015-2019, Microchip Technology Incorporated, All Rights Reserved.

ISBN: 978-1-5224-5260-7

For information regarding Microchip's Quality Management Systems, please visit www.microchip.com/quality.



MICROCHIP

Worldwide Sales and Service

AMERICAS

Corporate Office
2355 West Chandler Blvd.
Chandler, AZ 85224-6199
Tel: 480-792-7200
Fax: 480-792-7277
Technical Support:
<http://www.microchip.com/support>
Web Address:
www.microchip.com

Atlanta

Duluth, GA
Tel: 678-957-9614
Fax: 678-957-1455

Austin, TX

Tel: 512-257-3370

Boston

Westborough, MA
Tel: 774-760-0087
Fax: 774-760-0088

Chicago

Itasca, IL
Tel: 630-285-0071
Fax: 630-285-0075

Dallas

Addison, TX
Tel: 972-818-7423
Fax: 972-818-2924

Detroit

Novi, MI
Tel: 248-848-4000

Houston, TX

Tel: 281-894-5983

Indianapolis

Noblesville, IN
Tel: 317-773-8323
Fax: 317-773-5453
Tel: 317-536-2380

Los Angeles

Mission Viejo, CA
Tel: 949-462-9523
Fax: 949-462-9608
Tel: 951-273-7800

Raleigh, NC

Tel: 919-844-7510

New York, NY

Tel: 631-435-6000

San Jose, CA

Tel: 408-735-9110
Tel: 408-436-4270

Canada - Toronto

Tel: 905-695-1980
Fax: 905-695-2078

ASIA/PACIFIC

Australia - Sydney
Tel: 61-2-9868-6733

China - Beijing
Tel: 86-10-8569-7000

China - Chengdu
Tel: 86-28-8665-5511

China - Chongqing
Tel: 86-23-8980-9588

China - Dongguan
Tel: 86-769-8702-9880

China - Guangzhou
Tel: 86-20-8755-8029

China - Hangzhou
Tel: 86-571-8792-8115

China - Hong Kong SAR
Tel: 852-2943-5100

China - Nanjing
Tel: 86-25-8473-2460

China - Qingdao
Tel: 86-532-8502-7355

China - Shanghai
Tel: 86-21-3326-8000

China - Shenyang
Tel: 86-24-2334-2829

China - Shenzhen
Tel: 86-755-8864-2200

China - Suzhou
Tel: 86-186-6233-1526

China - Wuhan
Tel: 86-27-5980-5300

China - Xian
Tel: 86-29-8833-7252

China - Xiamen
Tel: 86-592-2388138

China - Zhuhai
Tel: 86-756-3210040

ASIA/PACIFIC

India - Bangalore
Tel: 91-80-3090-4444

India - New Delhi
Tel: 91-11-4160-8631

India - Pune
Tel: 91-20-4121-0141

Japan - Osaka
Tel: 81-6-6152-7160

Japan - Tokyo
Tel: 81-3-6880-3770

Korea - Daegu
Tel: 82-53-744-4301

Korea - Seoul
Tel: 82-2-554-7200

Malaysia - Kuala Lumpur
Tel: 60-3-7651-7906

Malaysia - Penang
Tel: 60-4-227-8870

Philippines - Manila
Tel: 63-2-634-9065

Singapore
Tel: 65-6334-8870

Taiwan - Hsin Chu
Tel: 886-3-577-8366

Taiwan - Kaohsiung
Tel: 886-7-213-7830

Taiwan - Taipei
Tel: 886-2-2508-8600

Thailand - Bangkok
Tel: 66-2-694-1351

Vietnam - Ho Chi Minh
Tel: 84-28-5448-2100

EUROPE

Austria - Wels
Tel: 43-7242-2244-39
Fax: 43-7242-2244-393

Denmark - Copenhagen
Tel: 45-4450-2828
Fax: 45-4485-2829

Finland - Espoo
Tel: 358-9-4520-820

France - Paris
Tel: 33-1-69-53-63-20
Fax: 33-1-69-30-90-79

Germany - Garching
Tel: 49-8931-9700

Germany - Haan
Tel: 49-2129-3766400

Germany - Heilbronn
Tel: 49-7131-72400

Germany - Karlsruhe
Tel: 49-721-625370

Germany - Munich
Tel: 49-89-627-144-0
Fax: 49-89-627-144-44

Germany - Rosenheim
Tel: 49-8031-354-560

Israel - Ra'anana
Tel: 972-9-744-7705

Italy - Milan
Tel: 39-0331-742611
Fax: 39-0331-466781

Italy - Padova
Tel: 39-049-7625286

Netherlands - Drunen
Tel: 31-416-690399
Fax: 31-416-690340

Norway - Trondheim
Tel: 47-7288-4388

Poland - Warsaw
Tel: 48-22-3325737

Romania - Bucharest
Tel: 40-21-407-87-50

Spain - Madrid
Tel: 34-91-708-08-90
Fax: 34-91-708-08-91

Sweden - Gothenberg
Tel: 46-31-704-60-40

Sweden - Stockholm
Tel: 46-8-5090-4654

UK - Wokingham
Tel: 44-118-921-5800
Fax: 44-118-921-5820