



**MICROCHIP**

---

**PIC18F87K90 Family  
Data Sheet**

64/80-Pin, High-Performance  
Microcontrollers with LCD Driver and  
nanoWatt XLP Technology

---

**Note the following details of the code protection feature on Microchip devices:**

- Microchip products meet the specification contained in their particular Microchip Data Sheet.
- Microchip believes that its family of products is one of the most secure families of its kind on the market today, when used in the intended manner and under normal conditions.
- There are dishonest and possibly illegal methods used to breach the code protection feature. All of these methods, to our knowledge, require using the Microchip products in a manner outside the operating specifications contained in Microchip's Data Sheets. Most likely, the person doing so is engaged in theft of intellectual property.
- Microchip is willing to work with the customer who is concerned about the integrity of their code.
- Neither Microchip nor any other semiconductor manufacturer can guarantee the security of their code. Code protection does not mean that we are guaranteeing the product as "unbreakable."

Code protection is constantly evolving. We at Microchip are committed to continuously improving the code protection features of our products. Attempts to break Microchip's code protection feature may be a violation of the Digital Millennium Copyright Act. If such acts allow unauthorized access to your software or other copyrighted work, you may have a right to sue for relief under that Act.

---

Information contained in this publication regarding device applications and the like is provided only for your convenience and may be superseded by updates. It is your responsibility to ensure that your application meets with your specifications. MICROCHIP MAKES NO REPRESENTATIONS OR WARRANTIES OF ANY KIND WHETHER EXPRESS OR IMPLIED, WRITTEN OR ORAL, STATUTORY OR OTHERWISE, RELATED TO THE INFORMATION, INCLUDING BUT NOT LIMITED TO ITS CONDITION, QUALITY, PERFORMANCE, MERCHANTABILITY OR FITNESS FOR PURPOSE. Microchip disclaims all liability arising from this information and its use. Use of Microchip devices in life support and/or safety applications is entirely at the buyer's risk, and the buyer agrees to defend, indemnify and hold harmless Microchip from any and all damages, claims, suits, or expenses resulting from such use. No licenses are conveyed, implicitly or otherwise, under any Microchip intellectual property rights.

**Trademarks**

The Microchip name and logo, the Microchip logo, dsPIC, KEELOQ, KEELOQ logo, MPLAB, PIC, PICmicro, PICSTART, PIC<sup>32</sup> logo, rPIC and UNI/O are registered trademarks of Microchip Technology Incorporated in the U.S.A. and other countries.

FilterLab, Hampshire, HI-TECH C, Linear Active Thermistor, MXDEV, MXLAB, SEEVAL and The Embedded Control Solutions Company are registered trademarks of Microchip Technology Incorporated in the U.S.A.

Analog-for-the-Digital Age, Application Maestro, chipKIT, chipKIT logo, CodeGuard, dsPICDEM, dsPICDEM.net, dsPICworks, dsSPEAK, ECAN, ECONOMONITOR, FanSense, HI-TIDE, In-Circuit Serial Programming, ICSP, Mindi, MiWi, MPASM, MPLAB Certified logo, MPLIB, MPLINK, mTouch, Omniscient Code Generation, PICC, PICC-18, PICDEM, PICDEM.net, PICkit, PICtail, REAL ICE, rLAB, Select Mode, Total Endurance, TSHARC, UniWinDriver, WiperLock and ZENA are trademarks of Microchip Technology Incorporated in the U.S.A. and other countries.

SQTP is a service mark of Microchip Technology Incorporated in the U.S.A.

All other trademarks mentioned herein are property of their respective companies.

© 2009-2011, Microchip Technology Incorporated, Printed in the U.S.A., All Rights Reserved.

 Printed on recycled paper.

ISBN: 978-1-61341-351-7

**QUALITY MANAGEMENT SYSTEM**  
**CERTIFIED BY DNV**  
**== ISO/TS 16949:2009 ==**

*Microchip received ISO/TS-16949:2009 certification for its worldwide headquarters, design and wafer fabrication facilities in Chandler and Tempe, Arizona; Gresham, Oregon and design centers in California and India. The Company's quality system processes and procedures are for its PIC<sup>®</sup> MCUs and dsPIC<sup>®</sup> DSCs, KEELOQ<sup>®</sup> code hopping devices, Serial EEPROMs, microperipherals, nonvolatile memory and analog products. In addition, Microchip's quality system for the design and manufacture of development systems is ISO 9001:2000 certified.*



# PIC18F87K90 FAMILY

## 64/80-Pin, High-Performance Microcontrollers with LCD Driver and nanoWatt XLP Technology

### Low-Power Features:

- Power-Managed modes:
  - Run: CPU on, peripherals on
  - Idle: CPU off, peripherals on
  - Sleep: CPU off, peripherals off
- Two-Speed Oscillator Start-up
- Fail-Safe Clock Monitor
- Power-Saving Peripheral Module Disable (PMD)
- Ultra Low-Power Wake-up
- Fast Wake-up, 1  $\mu$ s Typical
- Low-Power WDT, 300 nA Typical
- Ultra Low 50 nA Input Leakage
- Run mode Currents Down to 5.5  $\mu$ A, Typical
- Idle mode Currents Down to 1.7  $\mu$ A, Typical
- Sleep mode Current Down to Very Low 20 nA, Typical
- RTCC Current Down to Very Low 700 nA, Typical
- LCD Current Down to Very Low 300 nA, Typical

### LCD Driver and Keypad Features:

- Direct LCD Panel Drive Capability:
  - Can drive LCD panel while in Sleep mode
- Up to 48 Segments and 192 Pixels, Software-Selectable
- Programmable LCD Timing module:
  - Multiple LCD timing sources available
  - Up to four commons: static, 1/2, 1/3 or 1/4 multiplex
  - Bias configuration: Static, 1/2 or 1/3
- Low-Power Resistor Bias Network for LCD

### Peripheral Highlights:

- Ten or Eight CCP/ECCP modules:
  - Seven Capture/Compare/PWM (CCP) modules
  - Three Enhanced Capture/Compare/PWM (ECCP) modules
- Eleven 8/16-Bit Timer/Counter modules:
  - Timer0 – 8/16-bit timer/counter with 8-bit programmable prescaler
  - Timer1, 3, 5, 7 – 16-bit timer/counter
  - Timer2, 4, 6, 8, 10, 12 – 8-bit timer/counter
- Three Analog Comparators
- Configurable Reference Clock Output
- Hardware Real-Time Clock and Calendar (RTCC) module with Clock, Calendar and Alarm Functions
  - Time-out from 0.5s to 1 year
- Charge Time Measurement Unit (CTMU):
  - Capacitance measurement for mTouch™ Sensing
  - Time measurement with 1 ns typical resolution
- High-Current Sink/Source 25 mA/25 mA (PORTB and PORTC)
- Up to Four External Interrupts
- Two Master Synchronous Serial Port (MSSP) modules:
  - 3/4-wire SPI (supports all four SPI modes)
  - I<sup>2</sup>C™ Master and Slave mode

| Device      | Flash Program Memory (Bytes) | SRAM Data Memory (Bytes) | EEPROM (Bytes) | I/O | LCD Pixels | Timers 8/16-Bit | CCP/ECCP | SPI | I <sup>2</sup> C™ | EUSART | 12-Bit A/D (Channels) | Comparators | CTMU | RTCC |
|-------------|------------------------------|--------------------------|----------------|-----|------------|-----------------|----------|-----|-------------------|--------|-----------------------|-------------|------|------|
| PIC18F65K90 | 32K                          | 2K                       | 1K             | 53  | 132        | 4/4             | 5/3      | Yes | Yes               | 2      | 16                    | 3           | Y    | Y    |
| PIC18F66K90 | 64K                          | 4K                       | 1K             | 53  | 132        | 6/5             | 7/3      | Yes | Yes               | 2      | 16                    | 3           | Y    | Y    |
| PIC18F67K90 | 128K                         | 4K                       | 1K             | 53  | 132        | 6/5             | 7/3      | Yes | Yes               | 2      | 16                    | 3           | Y    | Y    |
| PIC18F85K90 | 32K                          | 2K                       | 1K             | 69  | 192        | 4/4             | 5/3      | Yes | Yes               | 2      | 24                    | 3           | Y    | Y    |
| PIC18F86K90 | 64K                          | 4K                       | 1K             | 69  | 192        | 6/5             | 7/3      | Yes | Yes               | 2      | 24                    | 3           | Y    | Y    |
| PIC18F87K90 | 128K                         | 4K                       | 1K             | 69  | 192        | 6/5             | 7/3      | Yes | Yes               | 2      | 24                    | 3           | Y    | Y    |

# PIC18F87K90 FAMILY

---

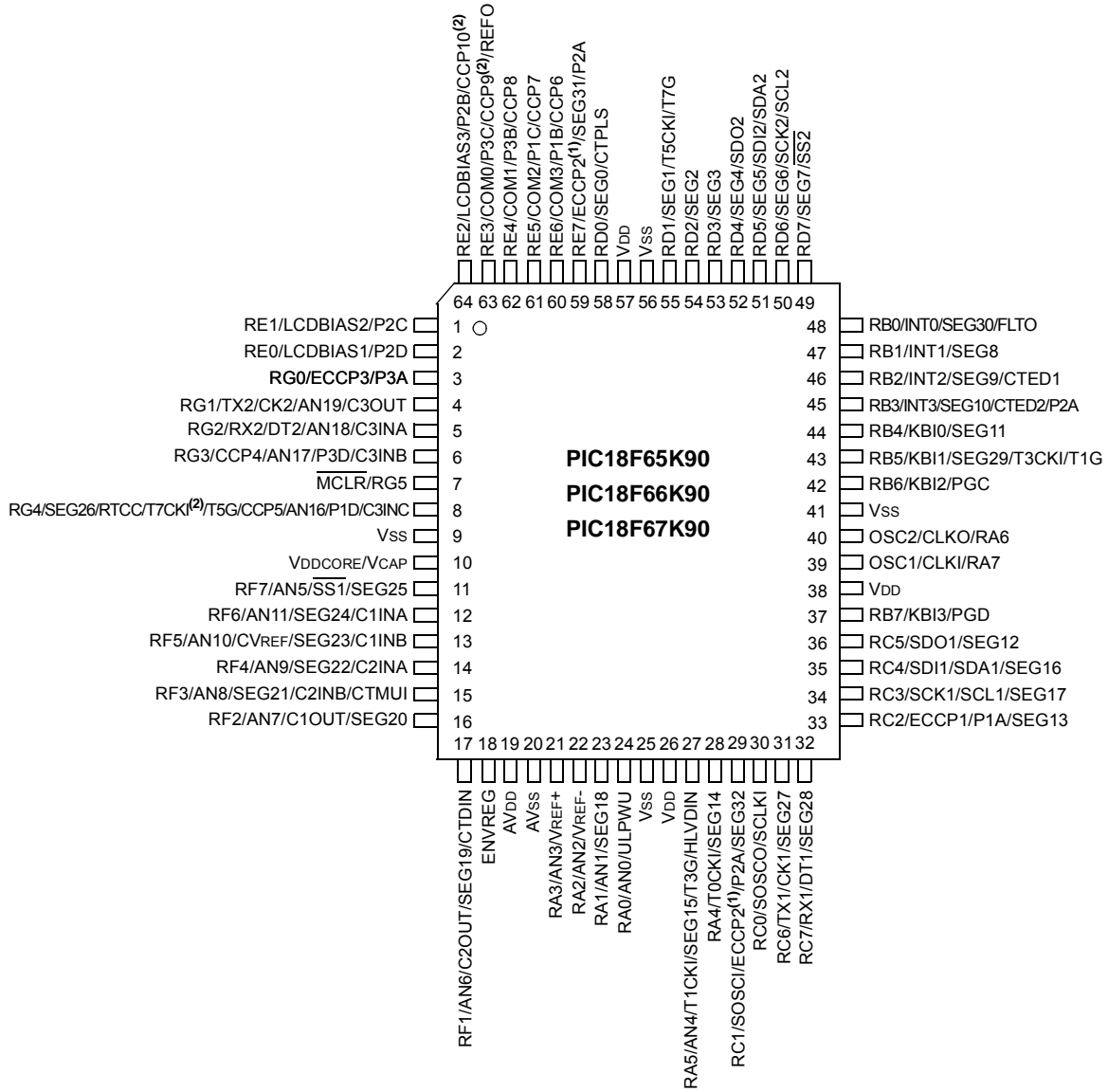
## Special Microcontroller Features:

- Operating Voltage Range: 1.8V to 5.5V
- On-Chip 3.3V Regulator
- Operating Speed up to 64 MHz
- Up to 128 Kbytes On-Chip Flash Program Memory
- Data EEPROM of 1,024 Bytes
- 4K x 8 General Purpose Registers (SRAM)
- 10,000 Erase/Write Cycle Flash Program Memory, Minimum
- 1,000,000 Erase/write Cycle Data EEPROM Memory, Typical
- Flash Retention 40 Years, Minimum
- Three Internal Oscillators: LF-INTRC (31 kHz), MF-INTOSC (500 kHz) and HF-INTOSC (16 MHz)
- Self-Programmable under Software Control
- Priority Levels for Interrupts
- 8 x 8 Single-Cycle Hardware Multiplier
- Extended Watchdog Timer (WDT):
  - Programmable period from 4 ms to 4,194s (about 70 minutes)
- In-Circuit Serial Programming™ (ICSP™) via Two Pins
- In-Circuit Debug via Two Pins
- Programmable:
  - BOR
  - LVD
- Two Enhanced Addressable USART modules:
  - LIN/J2602 support
  - Auto-Baud Detect (ABD)
- 12-Bit A/D Converter with up to 24 Channels:
  - Auto-acquisition and Sleep operation
  - Differential Input mode of operation

# PIC18F87K90 FAMILY

## Pin Diagrams – PIC18F6XK90

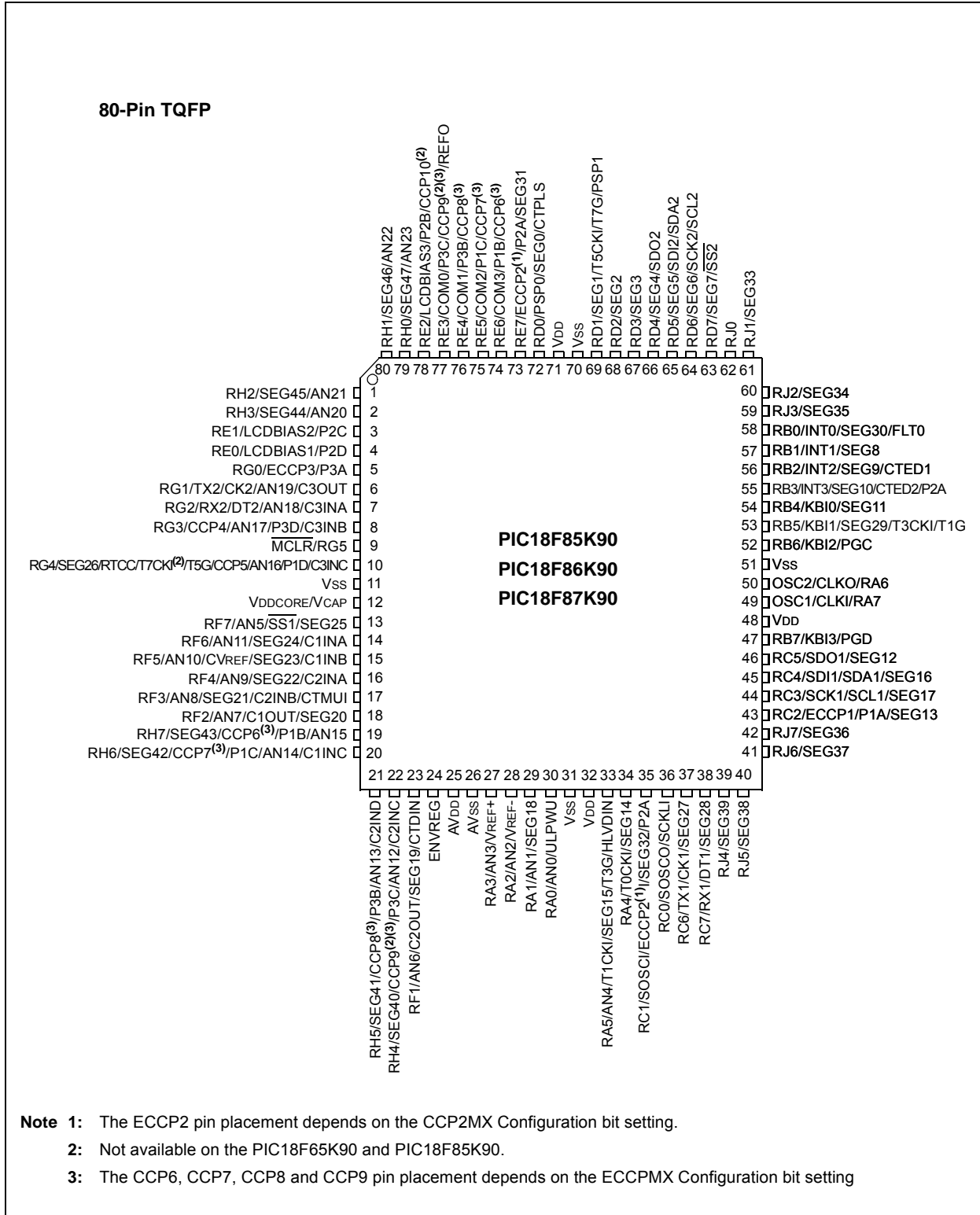
64-Pin QFN<sup>(3)</sup>, TQFP



- Note 1:** The ECCP2 pin placement depends on the CCP2MX Configuration bit setting.
- Note 2:** Not available on the PIC18F65K90 and PIC18F85K90.
- Note 3:** For the QFN package, it is recommended that the bottom pad be connected to Vss.

# PIC18F87K90 FAMILY

## Pin Diagrams – PIC18F8XK90



# PIC18F87K90 FAMILY

## Table of Contents

|      |   |     |
|------|---|-----|
| 1.0  | Device Overview .....   | 9   |
| 2.0  | Guidelines for Getting Started with PIC18FXXXKXX Microcontrollers .....         | 35  |
| 3.0  | Oscillator Configurations .....   | 41  |
| 4.0  | Power-Managed Modes .....   | 53  |
| 5.0  | Reset .....   | 69  |
| 6.0  | Memory Organization .....   | 85  |
| 7.0  | Flash Program Memory .....  | 111 |
| 8.0  | Data EEPROM Memory .....  | 121 |
| 9.0  | 8 x 8 Hardware Multiplier .....   | 127 |
| 10.0 | Interrupts .....  | 129 |
| 11.0 | I/O Ports .....   | 153 |
| 12.0 | Timer0 Module .....   | 183 |
| 13.0 | Timer1 Module .....   | 187 |
| 14.0 | Timer2 Module .....   | 199 |
| 15.0 | Timer3/5/7 Modules .....  | 201 |
| 16.0 | Timer4/6/8/10/12 Modules .....  | 213 |
| 17.0 | Real-Time Clock and Calendar (RTCC) .....                                       | 217 |
| 18.0 | Capture/Compare/PWM (CCP) Modules .....   | 237 |
| 19.0 | Enhanced Capture/Compare/PWM (ECCP) Module .....                                | 251 |
| 20.0 | Liquid Crystal Display (LCD) Driver Module .....                                | 273 |
| 21.0 | Master Synchronous Serial Port (MSSP) Module .....                              | 303 |
| 22.0 | Enhanced Universal Synchronous Asynchronous Receiver Transmitter (EUSART) ..... | 349 |
| 23.0 | 12-Bit Analog-to-Digital Converter (A/D) Module .....                           | 373 |
| 24.0 | Comparator Module .....   | 389 |
| 25.0 | Comparator Voltage Reference Module .....                                       | 397 |
| 26.0 | High/Low-Voltage Detect (HLVD) .....  | 401 |
| 27.0 | Charge Time Measurement Unit (CTMU) .....                                       | 407 |
| 28.0 | Special Features of the CPU .....   | 425 |
| 29.0 | Instruction Set Summary .....   | 451 |
| 30.0 | Development Support .....   | 501 |
| 31.0 | Electrical Characteristics .....  | 505 |
| 32.0 | Packaging Information .....   | 545 |
|      | Appendix A: Revision History .....  | 553 |
|      | Appendix B: Migration From PIC18F85J90 and PIC18F87J90 to PIC18F87K90 .....     | 553 |
|      | Index .....   | 555 |
|      | The Microchip Web Site .....  | 567 |
|      | Customer Change Notification Service .....                                      | 567 |
|      | Customer Support .....  | 567 |
|      | Reader Response .....   | 568 |
|      | Product Identification System .....   | 569 |

# PIC18F87K90 FAMILY

---

NOTES:



# PIC18F87K90 FAMILY

## 1.0 DEVICE OVERVIEW

This document contains device-specific information for the following devices:

- PIC18F65K90
- PIC18F66K90
- PIC18F67K90
- PIC18F85K90
- PIC18F86K90
- PIC18F87K90

This family combines the traditional advantages of all PIC18 microcontrollers – namely, high computational performance and a rich feature set – with a versatile on-chip LCD driver, while maintaining an extremely competitive price point. These features make the PIC18F87K90 family a logical choice for many high-performance applications where price is a primary consideration.

### 1.1 Core Features

#### 1.1.1 nanoWatt TECHNOLOGY

All of the devices in the PIC18F87K90 family incorporate a range of features that can significantly reduce power consumption during operation. Key items include:

- **Alternate Run Modes:** By clocking the controller from the Timer1 source or the internal RC oscillator, power consumption during code execution can be reduced.
- **Multiple Idle Modes:** The controller can also run with its CPU core disabled but the peripherals still active. In these states, power consumption can be reduced even further.
- **On-the-Fly Mode Switching:** The power-managed modes are invoked by user code during operation, allowing the user to incorporate power-saving ideas into their application's software design.
- **nanoWatt XLP:** An extra low-power BOR, RTCC and low-power Watchdog Timer. Also, an ultra low-power regulator for Sleep mode is provided in regulator-enabled modes.

#### 1.1.2 OSCILLATOR OPTIONS AND FEATURES

All of the devices in the PIC18F87K90 family offer different oscillator options, allowing users a range of choices in developing application hardware. These include:

- External Resistor/Capacitor (RC); RA6 available
- External Resistor/Capacitor with Clock Out (RCIO)
- Three External Clock modes:
  - External Clock (EC); RA6 available
  - External Clock with Clock Out (ECIO)
  - External Crystal (XT, HS, LP)
- A Phase Lock Loop (PLL) frequency multiplier, available to the External Oscillator modes which allows clock speeds of up to 64 MHz. PLL can also be used with the internal oscillator.

- An internal oscillator block that provides a 16 MHz clock ( $\pm 2\%$  accuracy) and an INTRC source (approximately 31 kHz, stable over temperature and VDD)
  - Operates as HF-INTOSC or MF-INTOSC when block selected for 16 MHz or 500 kHz
  - Frees the two oscillator pins for use as additional general purpose I/O

The internal oscillator block provides a stable reference source that gives the family additional features for robust operation:

- **Fail-Safe Clock Monitor:** This option constantly monitors the main clock source against a reference signal provided by the internal oscillator. If a clock failure occurs, the controller is switched to the internal oscillator, allowing for continued low-speed operation or a safe application shutdown.
- **Two-Speed Start-up:** This option allows the internal oscillator to serve as the clock source from Power-on Reset, or wake-up from Sleep mode, until the primary clock source is available.

#### 1.1.3 MEMORY OPTIONS

The PIC18F87K90 family provides ample room for application code, from 32 Kbytes to 128 Kbytes of code space. The Flash cells for program memory are rated to last up to 10,000 erase/write cycles. Data retention without refresh is conservatively estimated to be greater than 40 years.

The Flash program memory is readable and writable. During normal operation, the PIC18F87K90 family also provides plenty of room for dynamic application data with up to 3,828 bytes of data RAM.

#### 1.1.4 EXTENDED INSTRUCTION SET

The PIC18F87K90 family implements the optional extension to the PIC18 instruction set, adding 8 new instructions and an Indexed Addressing mode. Enabled as a device configuration option, the extension has been specifically designed to optimize re-entrant application code originally developed in high-level languages, such as 'C'.

#### 1.1.5 EASY MIGRATION

Regardless of the memory size, all devices share the same rich set of peripherals (except the 32-Kbyte parts, which have two less CCPs and three less Timers), allowing for a smooth migration path as applications grow and evolve.

The consistent pinout scheme, used throughout the entire family, also aids in migrating to the next larger device. This is true when moving between the 64-pin members, between the 80-pin members, or even jumping from 64-pin to 80-pin devices.

# PIC18F87K90 FAMILY

---

The PIC18F87K90 family is also largely pin-compatible with other PIC18 families, such as the PIC18F8720, PIC18F8722, PIC18F85J11, PIC18F8490, PIC18F85J90, PIC18F87J90 and PIC18F87J93 families of microcontrollers with LCD drivers. This allows a new dimension to the evolution of applications, allowing developers to select different price points within Microchip's PIC18 portfolio, while maintaining a similar feature set.

## 1.2 LCD Driver

The on-chip LCD driver includes many features that ease the integration of displays in low-power applications. These include an integrated internal resistor ladder, so bias voltages can be generated internally. This enables software-controlled contrast control and eliminates the need for external bias voltage resistors.

## 1.3 Other Special Features

- **Communications:** The PIC18F87K90 family incorporates a range of serial communication peripherals including two Enhanced USART, that support LIN/J2602, and two Master SSP modules capable of both SPI and I<sup>2</sup>C™ (Master and Slave) modes of operation.
- **CCP Modules:** PIC18F87K90 family devices incorporate up to seven or five Capture/Compare/PWM (CCP) modules. Up to six different time bases can be used to perform several different operations at once.
- **ECCP Modules:** The PIC18F87K90 family has three Enhanced CCP (ECCP) modules to maximize flexibility in control applications:
  - Up to eight different time bases for performing several different operations at once
  - Up to four PWM outputs for each module, for a total of 12 PWMs
  - Other beneficial features, such as polarity selection, programmable dead time, auto-shutdown and restart, and Half-Bridge and Full-Bridge Output modes
- **12-Bit A/D Converter:** The PIC18F87K90 family has differential ADC. It incorporates programmable acquisition time, allowing for a channel to be selected and a conversion to be initiated without waiting for a sampling period, and thus, reducing code overhead.
- **Charge Time Measurement Unit (CTMU):** The CTMU is a flexible analog module that provides accurate differential time measurement between pulse sources, as well as asynchronous pulse generation.

Together with other on-chip analog modules, the CTMU can precisely measure time, measure capacitance or relative changes in capacitance, or generate output pulses that are independent of the system clock.

- **LP Watchdog Timer (WDT):** This enhanced version incorporates a 22-bit prescaler, allowing an extended time-out range that is stable across operating voltage and temperature. See [Section 31.0 “Electrical Characteristics”](#) for time-out periods.

- **Real-Time Clock and Calendar Module (RTCC):** The RTCC module is intended for applications requiring that accurate time be maintained for extended periods of time with minimum to no intervention from the CPU.

The module is a 100-year clock and calendar with automatic leap year detection. The range of the clock is from 00:00:00 (midnight) on January 1, 2000 to 23:59:59 on December 31, 2099.

## 1.4 Details on Individual Family Members

Devices in the PIC18F87K90 family are available in 64-pin and 80-pin packages. Block diagrams for the two groups are shown in [Figure 1-1](#) and [Figure 1-2](#).

The devices are differentiated from each other in these ways:

- Flash Program Memory:
  - PIC18FX5K90 (PIC18F65K90 and PIC18F85K90) – 32 Kbytes
  - PIC18FX6K90 (PIC18F66K90 and PIC18F86K90) – 64 Kbytes
  - PIC18FX7K90 (PIC18F67K90 and PIC18F87K90) – 128 Kbytes
- Data RAM:
  - All devices except PIC18FX5K90 – 4 Kbytes
  - PIC18FX5K90 – 2 Kbytes
- I/O Ports:
  - PIC18F6XK90 (64-pin devices) – 7 bidirectional ports
  - PIC18F8XK90 (80-pin devices) – 9 bidirectional ports
- LCD Pixels:
  - PIC18F6XK90 – 132 pixels (33 SEGs x 4 COMs)
  - PIC18F8XK90 – 192 pixels (48 SEGs x 4 COMs)
- CCP Module:
  - All devices except PIC18FX5K90 have seven CCP modules, PIC18FX5K90 has only five CCP modules
- Timers:
  - All devices except 18FX5K90 have six 8-bit timers and five 16-bit timers, PIC18FX5K90 has only four 8-bit timers and four 16-bit timers.
- A/D Channels:
  - All PIC18F8XK90 devices have 24 A/D channels, all PIC18F6XK90 devices have 16 A/D channels

All other features for devices in this family are identical. These are summarized in [Table 1-1](#) and [Table 1-2](#).

The pinouts for all devices are listed in [Table 1-3](#) and [Table 1-4](#).

# PIC18F87K90 FAMILY

**TABLE 1-1: DEVICE FEATURES FOR THE PIC18F6XK90 (64-PIN DEVICES)**

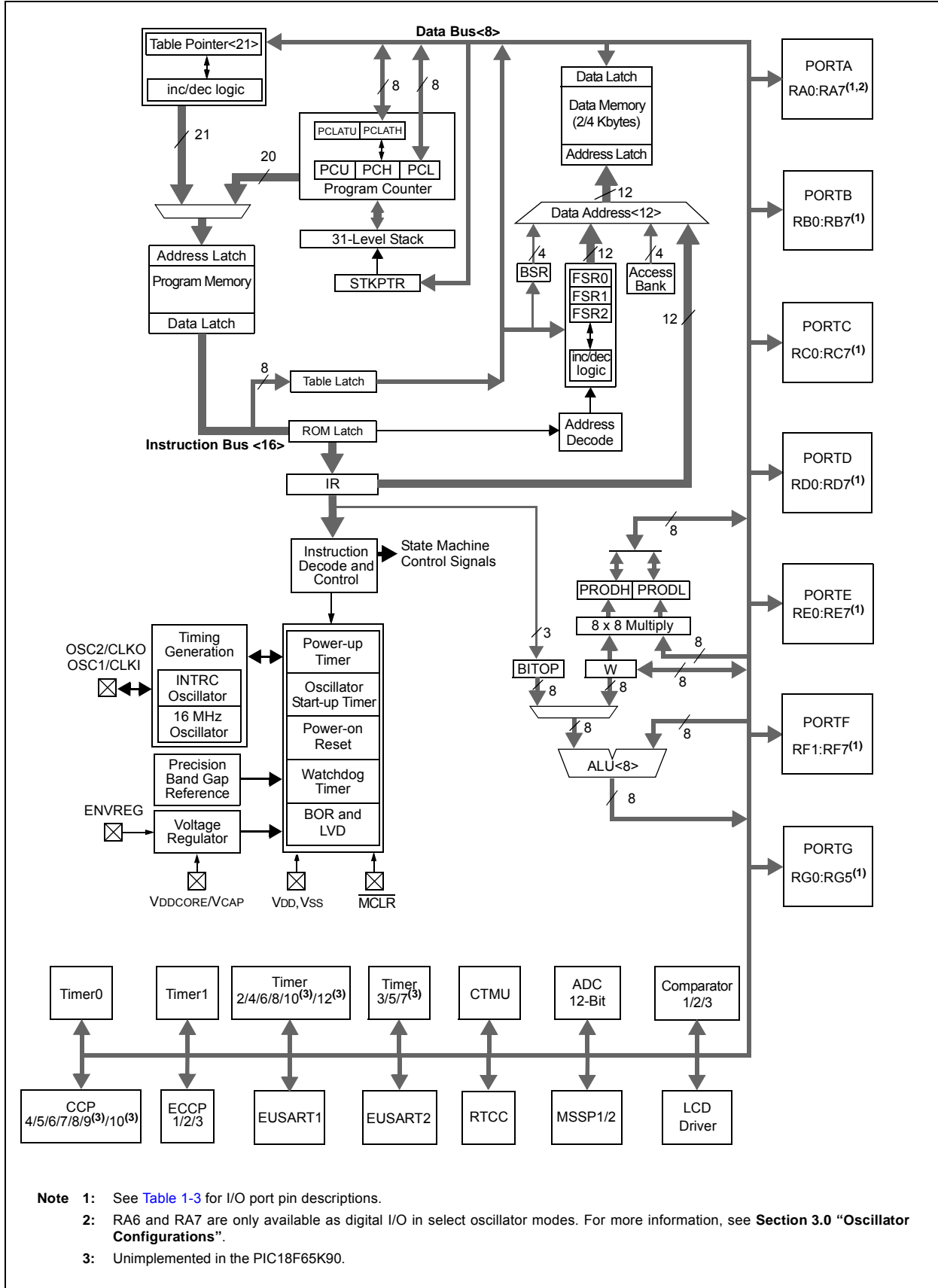
| Features                               | PIC18F65K90   | PIC18F66K90 | PIC18F67K90 |
|--|---|-------------|-------------|
| Operating Frequency                    | DC – 64 MHz   |             |             |
| Program Memory (Bytes)                 | 32K   | 64K         | 128K        |
| Program Memory (Instructions)          | 16,384  | 32,768      | 65,536      |
| Data Memory (Bytes)                    | 2K  | 4K          | 4K          |
| Interrupt Sources                      | 42  | 48          |             |
| I/O Ports                              | Ports A, B, C, D, E, F, G   |             |             |
| LCD Driver (available pixels to drive) | 132 (33 SEGs x 4 COMs)  |             |             |
| Timers                                 | 8   | 11          |             |
| Comparators                            | 3   |             |             |
| CTMU                                   | Yes   |             |             |
| RTCC                                   | Yes   |             |             |
| Capture/Compare/PWM (CCP) Modules      | 5   | 7           | 7           |
| Enhanced CCP (ECCP) Modules            | 3   |             |             |
| Serial Communications                  | Two MSSP and two Enhanced USART (EUSART)  |             |             |
| 12-Bit Analog-to-Digital Module        | 16 Input Channels   |             |             |
| Resets (and Delays)                    | POR, BOR, RESET Instruction, Stack Full, Stack Underflow, MCLR, WDT (PWRT, OST) |             |             |
| Instruction Set                        | 75 Instructions, 83 with Extended Instruction Set Enabled                       |             |             |
| Packages                               | 64-Pin QFN, 64-Pin TQFP   |             |             |

**TABLE 1-2: DEVICE FEATURES FOR THE PIC18F8XK90 (80-PIN DEVICES)**

| Features                               | PIC18F85K90   | PIC18F86K90 | PIC18F87K90 |
|--|---|-------------|-------------|
| Operating Frequency                    | DC – 64 MHz   |             |             |
| Program Memory (Bytes)                 | 32K   | 64K         | 128K        |
| Program Memory (Instructions)          | 16,384  | 32,768      | 65,536      |
| Data Memory (Bytes)                    | 2K  | 4K          | 4K          |
| Interrupt Sources                      | 42  | 48          |             |
| I/O Ports                              | Ports A, B, C, D, E, F, G, H, J   |             |             |
| LCD Driver (available pixels to drive) | 192 (48 SEGs x 4 COMs)  |             |             |
| Timers                                 | 8   | 11          |             |
| Comparators                            | 3   |             |             |
| CTMU                                   | Yes   |             |             |
| RTCC                                   | Yes   |             |             |
| Capture/Compare/PWM (CCP) Modules      | 5   | 7           | 7           |
| Enhanced CCP (ECCP) Modules            | 3   |             |             |
| Serial Communications                  | Two MSSP and two Enhanced USART (EUSART)  |             |             |
| 12-Bit Analog-to-Digital Module        | 24 Input Channels   |             |             |
| Resets (and Delays)                    | POR, BOR, RESET Instruction, Stack Full, Stack Underflow, MCLR, WDT (PWRT, OST) |             |             |
| Instruction Set                        | 75 Instructions, 83 with Extended Instruction Set Enabled                       |             |             |
| Packages                               | 80-Pin TQFP   |             |             |

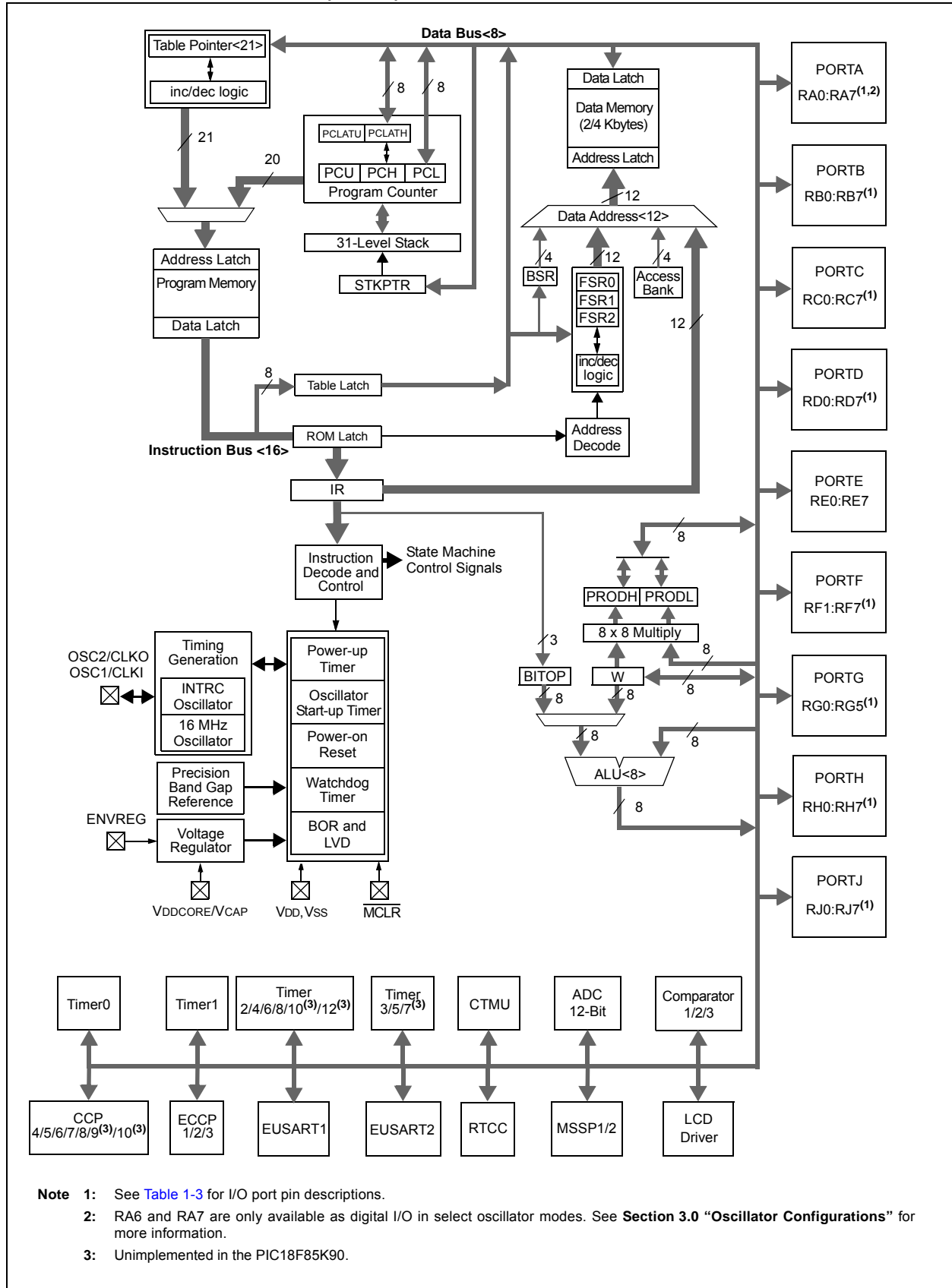
# PIC18F87K90 FAMILY

FIGURE 1-1: PIC18F6XK90 (64-PIN) BLOCK DIAGRAM



# PIC18F87K90 FAMILY

**FIGURE 1-2: PIC18F8XK90 (80-PIN) BLOCK DIAGRAM**







# PIC18F87K90 FAMILY

**TABLE 1-3: PIC18F6XK90 PINOUT I/O DESCRIPTIONS (CONTINUED)**

| Pin Name                       | Pin Number | Pin Type | Buffer Type  | Description   |
|--------------------------------|------------|----------|--|---|
|                                | QFN/TQFP   |          |  |   |
| RB0/INT0/SEG30/FLTO            | 48         |          |  | PORTB is a bidirectional I/O port. PORTB can be software programmed for internal weak pull-ups on all inputs. |
| RB0                            |            | I/O      | TTL  | Digital I/O.  |
| INT0                           |            | I        | ST   | External Interrupt 0.   |
| SEG30                          |            | O        | Analog   | SEG30 output for LCD.   |
| FLTO                           |            | I        | ST   | Enhanced PWM Fault input for ECCP1/2/3.   |
| RB1/INT1/SEG8                  | 47         |          |  |   |
| RB1                            |            | I/O      | TTL  | Digital I/O.  |
| INT1                           |            | I        | ST   | External Interrupt 1.   |
| SEG8                           | O          | Analog   | SEG8 output for LCD.                                 |   |
| RB2/INT2/SEG9/CTED1            | 46         |          |  |   |
| RB2                            |            | I/O      | TTL  | Digital I/O.  |
| INT2                           |            | I        | ST   | External Interrupt 2.   |
| CTED1                          |            | I        | ST   | CTMU Edge 1 input.  |
| SEG9                           | O          | Analog   | SEG9 output for LCD.                                 |   |
| RB3/INT3/SEG10/CTED2/ECCP2/P2A | 45         |          |  |   |
| RB3                            |            | I/O      | TTL  | Digital I/O.  |
| INT3                           |            | I        | ST   | External Interrupt 3.   |
| SEG10                          |            | O        | Analog   | SEG10 output for LCD.   |
| CTED2                          |            | I        | ST   | CTMU Edge 2 input.  |
| ECCP2                          |            | I/O      | ST   | Capture 2 input/Compare 2 output/PWM2.  |
| P2A                            | O          | —        | Enhanced PWM2 Output A.                              |   |
| RB4/KBI0/SEG11                 | 44         |          |  |   |
| RB4                            |            | I/O      | TTL  | Digital I/O.  |
| KBI0                           |            | I        | TTL  | Interrupt-on-change pin.  |
| SEG11                          | O          | Analog   | SEG11 output for LCD.                                |   |
| RB5/KBI1/SEG29/T3CKI/T1G       | 43         |          |  |   |
| RB5                            |            | I/O      | TTL  | Digital I/O.  |
| KBI1                           |            | I        | TTL  | Interrupt-on-change pin.  |
| SEG29                          |            | O        | Analog   | SEG29 output for LCD.   |
| T3CKI                          |            | I        | ST   | Timer3 clock input.   |
| T1G                            | I          | ST       | Timer1 external clock gate input.                    |   |
| RB6/KBI2/PGC                   | 42         |          |  |   |
| RB6                            |            | I/O      | TTL  | Digital I/O.  |
| KBI2                           |            | I        | TTL  | Interrupt-on-change pin.  |
| PGC                            | I/O        | ST       | In-Circuit Debugger and ICSP™ programming clock pin. |   |
| RB7/KBI3/PGD                   | 37         |          |  |   |
| RB7                            |            | I/O      | TTL  | Digital I/O.  |
| KBI3                           |            | I        | TTL  | Interrupt-on-change pin.  |
| PGD                            | I/O        | ST       | In-Circuit Debugger and ICSP programming data pin.   |   |

**Legend:** TTL = TTL compatible input  
 ST = Schmitt Trigger input with CMOS levels  
 I = Input  
 P = Power  
 I<sup>2</sup>C™ = I<sup>2</sup>C/SMBus  
 CMOS = CMOS compatible input or output  
 Analog = Analog input  
 O = Output  
 OD = Open-Drain (no P diode to VDD)

**Note 1:** Default assignment for ECCP2 when the CCP2MX Configuration bit is set.  
**2:** Alternate assignment for ECCP2 when the CCP2MX Configuration bit is cleared.  
**3:** Not available on PIC18F65K90 and PIC18F85K90 devices.



# PIC18F87K90 FAMILY

**TABLE 1-3: PIC18F6XK90 PINOUT I/O DESCRIPTIONS (CONTINUED)**

| Pin Name                  | Pin Number | Pin Type | Buffer Type      | Description   |
|---------------------------|------------|----------|------------------|---|
|                           | QFN/TQFP   |          |                  |   |
| RC0/SOSCO/SCLKI           | 30         |          |                  | PORTC is a bidirectional I/O port.                                |
| RC0                       |            | I/O      | ST               | Digital I/O.  |
| SOSCO                     |            | O        | —                | SOSC oscillator output.   |
| SCLKI                     |            | I        | ST               | Digital SOSC input.   |
| RC1/SOSCI/ECCP2/P2A/SEG32 | 29         |          |                  |   |
| RC1                       |            | I/O      | ST               | Digital I/O.  |
| SOSCI                     |            | I        | CMOS             | SOSC oscillator input.  |
| ECCP2 <sup>(1)</sup>      |            | I/O      | ST               | Capture 2 input/Compare 2 output/PWM2 output.                     |
| P2A                       |            | O        | —                | Enhanced PWM2 Output A.   |
| SEG32                     |            | O        | Analog           | SEG32 output for LCD.   |
| RC2/ECCP1/P1A/SEG13       | 33         |          |                  |   |
| RC2                       |            | I/O      | ST               | Digital I/O.  |
| ECCP1                     |            | I/O      | ST               | Capture 1 input/Compare 1 output/PWM1 output.                     |
| P1A                       |            | O        | —                | Enhanced PWM1 Output A.   |
| SEG13                     |            | O        | Analog           | SEG13 output for LCD.   |
| RC3/SCK1/SCL1/SEG17       | 34         |          |                  |   |
| RC3                       |            | I/O      | ST               | Digital I/O.  |
| SCK1                      |            | I/O      | ST               | Synchronous serial clock input/output for SPI mode.               |
| SCL1                      |            | I/O      | I <sup>2</sup> C | Synchronous serial clock input/output for I <sup>2</sup> C™ mode. |
| SEG17                     |            | O        | Analog           | SEG17 output for LCD.   |
| RC4/SDI1/SDA1/SEG16       | 35         |          |                  |   |
| RC4                       |            | I/O      | ST               | Digital I/O.  |
| SDI1                      |            | I        | ST               | SPI data in.  |
| SDA1                      |            | I/O      | I <sup>2</sup> C | I <sup>2</sup> C data I/O.  |
| SEG16                     |            | O        | Analog           | SEG16 output for LCD.   |
| RC5/SDO1/SEG12            | 36         |          |                  |   |
| RC5                       |            | I/O      | ST               | Digital I/O.  |
| SDO1                      |            | O        | —                | SPI data out.   |
| SEG12                     |            | O        | Analog           | SEG12 output for LCD.   |
| RC6/TX1/CK1/SEG27         | 31         |          |                  |   |
| RC6                       |            | I/O      | ST               | Digital I/O.  |
| TX1                       |            | O        | —                | EUSART asynchronous transmit.                                     |
| CK1                       |            | I/O      | ST               | EUSART synchronous clock (see related RX1/DT1).                   |
| SEG27                     |            | O        | Analog           | SEG27 output for LCD.   |
| RC7/RX1/DT1/SEG28         | 32         |          |                  |   |
| RC7                       |            | I/O      | ST               | Digital I/O.  |
| RX1                       |            | I        | ST               | EUSART asynchronous receive.                                      |
| DT1                       |            | I/O      | ST               | EUSART synchronous data (see related TX1/CK1).                    |
| SEG28                     |            | O        | Analog           | SEG28 output for LCD.   |

**Legend:** TTL = TTL compatible input  
 ST = Schmitt Trigger input with CMOS levels  
 I = Input  
 P = Power  
 I<sup>2</sup>C™ = I<sup>2</sup>C/SMBus  
 CMOS = CMOS compatible input or output  
 Analog = Analog input  
 O = Output  
 OD = Open-Drain (no P diode to VDD)

**Note 1:** Default assignment for ECCP2 when the CCP2MX Configuration bit is set.  
**2:** Alternate assignment for ECCP2 when the CCP2MX Configuration bit is cleared.  
**3:** Not available on PIC18F65K90 and PIC18F85K90 devices.



# PIC18F87K90 FAMILY

**TABLE 1-3: PIC18F6XK90 PINOUT I/O DESCRIPTIONS (CONTINUED)**

| Pin Name  | Pin Number | Pin Type                  | Buffer Type                   | Description   |
|---|------------|---------------------------|-------------------------------|---|
|   | QFN/TQFP   |                           |                               |   |
| RE0/LCDBIAS1/P2D<br>RE0<br>LCDBIAS1<br>P2D                                      | 2          | I/O<br>I<br>O             | ST<br>Analog<br>—             | <p>PORTE is a bidirectional I/O port.</p> <p>Digital I/O.<br/>BIAS1 input for LCD.<br/>ECCP2 PWM Output D.</p>                                  |
| RE1/LCDBIAS2/P2C<br>RE1<br>LCDBIAS2<br>P2C                                      | 1          | I/O<br>I<br>O             | ST<br>Analog<br>—             | <p>Digital I/O.<br/>BIAS2 input for LCD.<br/>ECCP2 PWM Output C.</p>  |
| RE2/LCDBIAS3/P2B/<br>CCP10<br>RE2<br>LCDBIAS3<br>P2B<br>CCP10 <sup>(3)</sup>    | 64         | I/O<br>I<br>O<br>I/O      | ST<br>Analog<br>—<br>S/T      | <p>Digital I/O.<br/>BIAS3 input for LCD.<br/>ECCP2 PWM Output B.<br/>Capture 10 input/Compare 10 output/PWM10 output.</p>                       |
| RE3/COM0/P3C/CCP9/<br>REFO<br>RE3<br>COM0<br>P3C<br>CCP9 <sup>(3)</sup><br>REFO | 63         | I/O<br>O<br>O<br>I/O<br>O | ST<br>Analog<br>—<br>S/T<br>— | <p>Digital I/O.<br/>COM0 output for LCD.<br/>ECCP3 PWM Output C.<br/>Capture 9 input/Compare 9 output/PWM9 output.<br/>Reference clock out.</p> |
| RE4/COM1/P3B/CCP8<br>RE4<br>COM1<br>P3B<br>CCP8                                 | 62         | I/O<br>O<br>O<br>I/O      | ST<br>Analog<br>—<br>S/T      | <p>Digital I/O.<br/>COM1 output for LCD.<br/>ECCP3 PWM Output B.<br/>Capture 8 input/Compare 8 output/PWM8 output.</p>                          |
| RE5/COM2/P1C/CCP7<br>RE5<br>COM2<br>P1C<br>CCP7                                 | 61         | I/O<br>O<br>O<br>I/O      | ST<br>Analog<br>—<br>S/T      | <p>Digital I/O.<br/>COM2 output for LCD.<br/>ECCP1 PWM Output C.<br/>Capture 7 input/Compare 7 output/PWM7 output.</p>                          |
| RE6/COM3/P1B/CCP6<br>RE6<br>COM3<br>P1B<br>CCP6                                 | 60         | I/O<br>O<br>O<br>I/O      | ST<br>Analog<br>—<br>S/T      | <p>Digital I/O.<br/>COM3 output for LCD.<br/>ECCP1 PWM Output B.<br/>Capture 6 input/Compare 6 output/PWM6 output.</p>                          |
| RE7/ECCP2/SEG31/P2A<br>RE7<br>ECCP2 <sup>(2)</sup><br>SEG31<br>P2A              | 59         | I/O<br>I/O<br>O<br>O      | ST<br>ST<br>Analog<br>—       | <p>Digital I/O.<br/>Capture 2 input/Compare 2 output/PWM2 output.<br/>SEG31 Output for LCD.<br/>ECCP2 PWM Output A.</p>                         |

**Legend:** TTL = TTL compatible input  
 ST = Schmitt Trigger input with CMOS levels  
 I = Input  
 P = Power  
 I<sup>2</sup>C™ = I<sup>2</sup>C/SMBus  
 CMOS = CMOS compatible input or output  
 Analog = Analog input  
 O = Output  
 OD = Open-Drain (no P diode to VDD)

- Note 1:** Default assignment for ECCP2 when the CCP2MX Configuration bit is set.  
**2:** Alternate assignment for ECCP2 when the CCP2MX Configuration bit is cleared.  
**3:** Not available on PIC18F65K90 and PIC18F85K90 devices.

# PIC18F87K90 FAMILY

**TABLE 1-3: PIC18F6XK90 PINOUT I/O DESCRIPTIONS (CONTINUED)**

| Pin Name                       | Pin Number | Pin Type | Buffer Type | Description  |
|--------------------------------|------------|----------|-------------|--|
|                                | QFN/TQFP   |          |             |  |
| RF1/AN6/C2OUT/SEG19/<br>CTDIN  | 17         |          |             | PORTF is a bidirectional I/O port.                           |
| RF1                            |            | I/O      | ST          | Digital I/O.   |
| AN6                            |            | I        | Analog      | Analog Input 6.  |
| C2OUT                          |            | O        | —           | Comparator 2 output.   |
| SEG19                          |            | O        | Analog      | SEG19 output for LCD.  |
| CTDIN                          |            | I        | ST          | CTMU pulse delay input.                                      |
| RF2/AN7/C1OUT/SEG20            | 16         |          |             |  |
| RF2                            |            | I/O      | ST          | Digital I/O.   |
| AN7                            |            | I        | Analog      | Analog Input 7.  |
| C1OUT                          |            | O        | —           | Comparator 1 output.   |
| SEG20                          |            | O        | Analog      | SEG20 output for LCD.  |
| RF3/AN8/SEG21/C2INB/<br>CTMUI  | 15         |          |             |  |
| RF3                            |            | I/O      | ST          | Digital I/O.   |
| AN8                            |            | I        | Analog      | Analog Input 8.  |
| SEG21                          |            | O        | Analog      | SEG21 output for LCD.  |
| C2INB                          |            | I        | Analog      | Comparator 2 Input B.  |
| CTMUI                          |            | O        | —           | CTMU pulse generator charger for the C2INB comparator input. |
| RF4/AN9/SEG22/C2INA            | 14         |          |             |  |
| RF4                            |            | I/O      | ST          | Digital I/O.   |
| AN9                            |            | I        | Analog      | Analog Input 9.  |
| SEG22                          |            | O        | Analog      | SEG22 output for LCD   |
| C2INA                          |            | I        | Analog      | Comparator 2 Input A.  |
| RF5/AN10/CVREF/<br>SEG23/C1INB | 13         |          |             |  |
| RF5                            |            | I/O      | ST          | Digital I/O.   |
| AN10                           |            | I        | Analog      | Analog Input 10.   |
| CVREF                          |            | O        | Analog      | Comparator reference voltage output.                         |
| SEG23                          |            | O        | Analog      | SEG23 output for LCD.  |
| C1INB                          |            | I        | Analog      | Comparator 1 Input B.  |
| RF6/AN11/SEG24/C1INA           | 12         |          |             |  |
| RF6                            |            | I/O      | ST          | Digital I/O.   |
| AN11                           |            | I        | Analog      | Analog Input 11.   |
| SEG24                          |            | O        | Analog      | SEG24 output for LCD   |
| C1INA                          |            | I        | Analog      | Comparator 1 Input A.  |
| RF7/AN5/SS1/SEG25              | 11         |          |             |  |
| RF7                            |            | I/O      | ST          | Digital I/O.   |
| AN5                            |            | O        | AnalogT     | Analog Input 5.  |
| SS1                            |            | I        | TL          | SP1 slave select input.                                      |
| SEG25                          |            | O        | Analog      | SEG25 output for LCD.  |

**Legend:** TTL = TTL compatible input  
 ST = Schmitt Trigger input with CMOS levels  
 I = Input  
 P = Power  
 I<sup>2</sup>C™ = I<sup>2</sup>C/SMBus  
 CMOS = CMOS compatible input or output  
 Analog = Analog input  
 O = Output  
 OD = Open-Drain (no P diode to VDD)

**Note 1:** Default assignment for ECCP2 when the CCP2MX Configuration bit is set.  
**Note 2:** Alternate assignment for ECCP2 when the CCP2MX Configuration bit is cleared.  
**Note 3:** Not available on PIC18F65K90 and PIC18F85K90 devices.





# PIC18F87K90 FAMILY

**TABLE 1-4: PIC18F8XK90 PINOUT I/O DESCRIPTIONS (CONTINUED)**

| Pin Name                       | Pin Number | Pin Type | Buffer Type | Description   |
|--------------------------------|------------|----------|-------------|---|
|                                | TQFP       |          |             |   |
| RA0/AN0/ULPWU                  | 30         | I/O      | TTL         | PORTA is a bidirectional I/O port.<br><br>Digital I/O.<br>Analog Input 0.<br>Ultra low-power wake-up input.   |
| RA0                            |            |          | Analog      |   |
| AN0                            |            |          | Analog      |   |
| ULPWU                          |            |          |             |   |
| RA1/AN1/SEG18                  | 29         | I/O      | TTL         | Digital I/O.<br>Analog Input 1.<br>SEG18 output for LCD.  |
| RA1                            |            |          | Analog      |   |
| SEG18                          |            |          | Analog      |   |
| RA2/AN2/VREF-                  | 28         | I/O      | TTL         | Digital I/O.<br>Analog Input 2.<br>A/D reference voltage (low) input.   |
| RA2                            |            |          | Analog      |   |
| VREF-                          |            |          | Analog      |   |
| RA3/AN3/VREF+                  | 27         | I/O      | TTL         | Digital I/O.<br>Analog Input 3.<br>A/D reference voltage (high) input.  |
| RA3                            |            |          | Analog      |   |
| VREF+                          |            |          | Analog      |   |
| RA4/T0CKI/SEG14                | 34         | I/O      | ST          | Digital I/O.<br>Timer0 external clock input.<br>SEG14 output for LCD.   |
| RA4                            |            |          | ST          |   |
| T0CKI                          |            |          | Analog      |   |
| RA5/AN4/SEG15/T1CKI/T3G/HLVDIN | 33         | I/O      | TTL         | Digital I/O.<br>Analog Input 4.<br>SEG15 output for LCD.<br>Timer1 clock input.<br>Timer3 external clock gate input.<br>High/Low-Voltage Detect (HLVD) input. |
| RA5                            |            |          | Analog      |   |
| AN4                            |            |          | Analog      |   |
| SEG15                          |            |          | ST          |   |
| T1CKI                          |            |          | ST          |   |
| T3G                            |            |          | Analog      |   |
| HLVDIN                         |            |          | Analog      |   |
| RA6                            |            |          |             | See the OSC2/CLKO/RA6 pin.  |
| RA7                            |            |          |             | See the OSC1/CLKI/RA7 pin.  |

**Legend:** TTL = TTL compatible input  
 ST = Schmitt Trigger input with CMOS levels  
 I = Input  
 P = Power  
 I<sup>2</sup>C™ = I<sup>2</sup>C/SMBus  
 CMOS = CMOS compatible input or output  
 Analog = Analog input  
 O = Output  
 OD = Open-Drain (no P diode to VDD)

- Note 1:** Default assignment for ECCP2 when the CCP2MX Configuration bit is set.  
**2:** Alternate assignment for ECCP2 when the CCP2MX Configuration bit is cleared.  
**3:** Not available on PIC18F65K90 and PIC18F85K90 devices.  
**4:** The CCP6, CCP7, CCP8 and CCP9 pin placement depends on the ECCPMX Configuration bit setting.







# PIC18F87K90 FAMILY

**TABLE 1-4: PIC18F8XK90 PINOUT I/O DESCRIPTIONS (CONTINUED)**

| Pin Name                  | Pin Number | Pin Type | Buffer Type | Description   |
|---------------------------|------------|----------|-------------|---|
|                           | TQFP       |          |             |   |
| RC0/SOSCO/SCKLI           | 36         |          |             | PORTC is a bidirectional I/O port.                                |
| RC0                       |            | I/O      | ST          | Digital I/O.  |
| SOSCO                     |            | O        | —           | SOSC oscillator output.   |
| SCKLI                     |            | I        | ST          | Digital SOSC input.   |
| RC1/SOSCI/ECCP2/SEG32/P2A | 35         |          |             |   |
| RC1                       |            | I/O      | ST          | Digital I/O.  |
| SOSCI                     |            | I        | CMOS        | SOSC oscillator input.  |
| ECCP2 <sup>(1)</sup>      |            | I/O      | ST          | Capture 2 input/Compare 2 output/PWM2 output.                     |
| SEG32                     |            | O        | Analog      | SEG32 output for LCD.   |
| P2A                       |            | O        | —           | Enhanced PWM2 Output A.   |
| RC2/ECCP1/P1A/SEG13       | 43         |          |             |   |
| RC2                       |            | I/O      | ST          | Digital I/O.  |
| ECCP1                     |            | I/O      | ST          | Capture 1 input/Compare 1 output/PWM1 output.                     |
| P1A                       |            | O        | —           | Enhanced PWM1 Output A.   |
| SEG13                     |            | O        | Analog      | SEG13 output for LCD.   |
| RC3/SCK1/SCL1/SEG17       | 44         |          |             |   |
| RC3                       |            | I/O      | ST          | Digital I/O.  |
| SCK1                      |            | I/O      | ST          | Synchronous serial clock input/output for SPI mode.               |
| SCL1                      |            | I/O      | ST          | Synchronous serial clock input/output for I <sup>2</sup> C™ mode. |
| SEG17                     |            | O        | Analog      | SEG17 output for LCD.   |
| RC4/SDI1/SDA1/SEG16       | 45         |          |             |   |
| RC4                       |            | I/O      | ST          | Digital I/O.  |
| SDI1                      |            | I        | ST          | SPI data in.  |
| SDA1                      |            | I/O      | ST          | I <sup>2</sup> C data I/O.  |
| SEG16                     |            | O        | Analog      | SEG16 output for LCD.   |
| RC5/SDO1/SEG12            | 46         |          |             |   |
| RC5                       |            | I/O      | ST          | Digital I/O.  |
| SDO1                      |            | O        | —           | SPI data out.   |
| SEG12                     |            | O        | Analog      | SEG12 output for LCD.   |
| RC6/TX1/CK1/SEG27         | 37         |          |             |   |
| RC6                       |            | I/O      | ST          | Digital I/O.  |
| TX1                       |            | O        | —           | EUSART asynchronous transmit.                                     |
| CK1                       |            | I/O      | ST          | EUSART synchronous clock (see related RX1/DT1).                   |
| SEG27                     |            | O        | Analog      | SEG27 output for LCD.   |
| RC7/RX1/DT1/SEG28         | 38         |          |             |   |
| RC7                       |            | I/O      | ST          | Digital I/O.  |
| RX1                       |            | I        | ST          | EUSART asynchronous receive.                                      |
| DT1                       |            | I/O      | ST          | EUSART synchronous data (see related TX1/CK1).                    |
| SEG28                     |            | O        | Analog      | SEG28 output for LCD.   |

**Legend:** TTL = TTL compatible input      CMOS = CMOS compatible input or output  
 ST = Schmitt Trigger input with CMOS levels      Analog = Analog input  
 I = Input      O = Output  
 P = Power      OD = Open-Drain (no P diode to VDD)  
 I<sup>2</sup>C™ = I<sup>2</sup>C/SMBus

- Note 1:** Default assignment for ECCP2 when the CCP2MX Configuration bit is set.  
**2:** Alternate assignment for ECCP2 when the CCP2MX Configuration bit is cleared.  
**3:** Not available on PIC18F65K90 and PIC18F85K90 devices.  
**4:** The CCP6, CCP7, CCP8 and CCP9 pin placement depends on the ECCPMX Configuration bit setting.











# PIC18F87K90 FAMILY

**TABLE 1-4: PIC18F8XK90 PINOUT I/O DESCRIPTIONS (CONTINUED)**

| Pin Name                    | Pin Number | Pin Type | Buffer Type | Description                                   |
|-----------------------------|------------|----------|-------------|---|
|                             | TQFP       |          |             |   |
| RH7/SEG43/CCP6/P1B/<br>AN15 | 19         |          |             |   |
| RH7                         |            | I/O      | ST          | Digital I/O.                                  |
| SEG43                       |            | O        | Analog      | SEG43 output for LCD.                         |
| CCP6 <sup>(4)</sup>         |            | I/O      | ST          | Capture 6 input/Compare 6 output/PWM6 output. |
| P1B                         |            | O        | —           | ECCP1 PWM Output B.                           |
| AN15                        |            | I        | Analog      | Analog Input 15.                              |

**Legend:** TTL = TTL compatible input  
 ST = Schmitt Trigger input with CMOS levels  
 I = Input  
 P = Power  
 I<sup>2</sup>C™ = I<sup>2</sup>C/SMBus  
 CMOS = CMOS compatible input or output  
 Analog = Analog input  
 O = Output  
 OD = Open-Drain (no P diode to VDD)

- Note 1:** Default assignment for ECCP2 when the CCP2MX Configuration bit is set.  
**Note 2:** Alternate assignment for ECCP2 when the CCP2MX Configuration bit is cleared.  
**Note 3:** Not available on PIC18F65K90 and PIC18F85K90 devices.  
**Note 4:** The CCP6, CCP7, CCP8 and CCP9 pin placement depends on the ECCPMX Configuration bit setting.





# PIC18F87K90 FAMILY

---

NOTES:

## 2.0 GUIDELINES FOR GETTING STARTED WITH PIC18FXXKXX MICROCONTROLLERS

### 2.1 Basic Connection Requirements

Getting started with the PIC18F87K90 family of 8-bit microcontrollers requires attention to a minimal set of device pin connections before proceeding with development.

The following pins must always be connected:

- All VDD and VSS pins (see [Section 2.2 “Power Supply Pins”](#))
- All AVDD and AVSS pins, regardless of whether or not the analog device features are used (see [Section 2.2 “Power Supply Pins”](#))
- MCLR pin (see [Section 2.3 “Master Clear \(MCLR\) Pin”](#))
- ENVREG (if implemented) and VCAP/VDDCORE pins (see [Section 2.4 “Voltage Regulator Pins \(ENVREG and VCAP/VDDCORE\)”](#))

These pins must also be connected if they are being used in the end application:

- PGC/PGD pins used for In-Circuit Serial Programming™ (ICSP™) and debugging purposes (see [Section 2.5 “ICSP Pins”](#))
- OSCI and OSCO pins when an external oscillator source is used (see [Section 2.6 “External Oscillator Pins”](#))

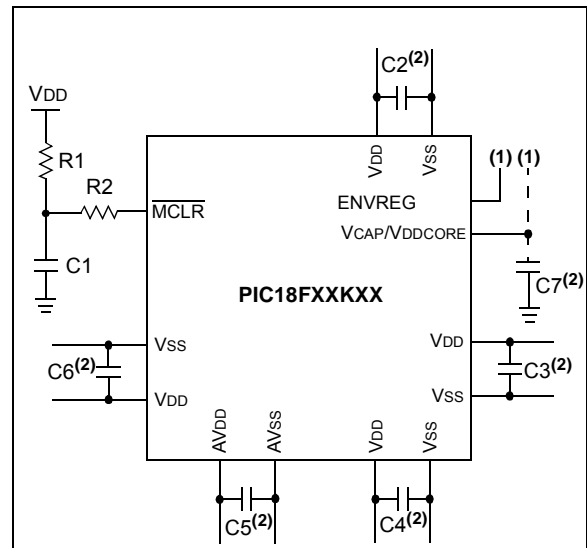
Additionally, the following pins may be required:

- VREF+/VREF- pins are used when external voltage reference for analog modules is implemented

**Note:** The AVDD and AVSS pins must always be connected, regardless of whether any of the analog modules are being used.

The minimum mandatory connections are shown in [Figure 2-1](#).

**FIGURE 2-1: RECOMMENDED MINIMUM CONNECTIONS**



**Key (all values are recommendations):**

C1 through C6: 0.1  $\mu$ F, 20V ceramic

R1: 10 k $\Omega$

R2: 100 $\Omega$  to 470 $\Omega$

- Note 1:** See [Section 2.4 “Voltage Regulator Pins \(ENVREG and VCAP/VDDCORE\)”](#) for explanation of ENVREG pin connections.
- Note 2:** The example shown is for a PIC18F device with five VDD/VSS and AVDD/AVSS pairs. Other devices may have more or less pairs; adjust the number of decoupling capacitors appropriately.

# PIC18F87K90 FAMILY

## 2.2 Power Supply Pins

### 2.2.1 DECOUPLING CAPACITORS

The use of decoupling capacitors on every pair of power supply pins, such as VDD, VSS, AVDD and AVSS, is required.

Consider the following criteria when using decoupling capacitors:

- **Value and type of capacitor:** A 0.1  $\mu\text{F}$  (100 nF), 10-20V capacitor is recommended. The capacitor should be a low-ESR device, with a resonance frequency in the range of 200 MHz and higher. Ceramic capacitors are recommended.
- **Placement on the printed circuit board:** The decoupling capacitors should be placed as close to the pins as possible. It is recommended to place the capacitors on the same side of the board as the device. If space is constricted, the capacitor can be placed on another layer on the PCB using a via; however, ensure that the trace length from the pin to the capacitor is no greater than 0.25 inch (6 mm).
- **Handling high-frequency noise:** If the board is experiencing high-frequency noise (upward of tens of MHz), add a second ceramic type capacitor in parallel to the above described decoupling capacitor. The value of the second capacitor can be in the range of 0.01  $\mu\text{F}$  to 0.001  $\mu\text{F}$ . Place this second capacitor next to each primary decoupling capacitor. In high-speed circuit designs, consider implementing a decade pair of capacitances as close to the power and ground pins as possible (e.g., 0.1  $\mu\text{F}$  in parallel with 0.001  $\mu\text{F}$ ).
- **Maximizing performance:** On the board layout from the power supply circuit, run the power and return traces to the decoupling capacitors first, and then to the device pins. This ensures that the decoupling capacitors are first in the power chain. Equally important is to keep the trace length between the capacitor and the power pins to a minimum, thereby reducing PCB trace inductance.

### 2.2.2 TANK CAPACITORS

On boards with power traces running longer than six inches in length, it is suggested to use a tank capacitor for integrated circuits, including microcontrollers, to supply a local power source. The value of the tank capacitor should be determined based on the trace resistance that connects the power supply source to the device, and the maximum current drawn by the device in the application. In other words, select the tank capacitor so that it meets the acceptable voltage sag at the device. Typical values range from 4.7  $\mu\text{F}$  to 47  $\mu\text{F}$ .

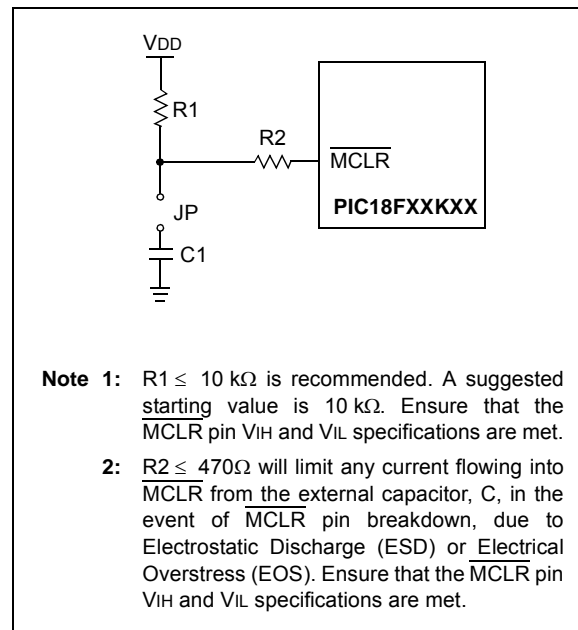
## 2.3 Master Clear ( $\overline{\text{MCLR}}$ ) Pin

The  $\overline{\text{MCLR}}$  pin provides two specific device functions: Device Reset, and Device Programming and Debugging. If programming and debugging are not required in the end application, a direct connection to VDD may be all that is required. The addition of other components, to help increase the application's resistance to spurious Resets from voltage sags, may be beneficial. A typical configuration is shown in Figure 2-1. Other circuit designs may be implemented, depending on the application's requirements.

During programming and debugging, the resistance and capacitance that can be added to the pin must be considered. Device programmers and debuggers drive the  $\overline{\text{MCLR}}$  pin. Consequently, specific voltage levels ( $V_{IH}$  and  $V_{IL}$ ) and fast signal transitions must not be adversely affected. Therefore, specific values of R1 and C1 will need to be adjusted based on the application and PCB requirements. For example, it is recommended that the capacitor, C1, be isolated from the  $\overline{\text{MCLR}}$  pin during programming and debugging operations by using a jumper (Figure 2-2). The jumper is replaced for normal run-time operations.

Any components associated with the  $\overline{\text{MCLR}}$  pin should be placed within 0.25 inch (6 mm) of the pin.

**FIGURE 2-2: EXAMPLE OF  $\overline{\text{MCLR}}$  PIN CONNECTIONS**



## 2.4 Voltage Regulator Pins (ENVREG and VCAP/VDDCORE)

The on-chip voltage regulator enable pin, ENVREG, must always be connected directly to either a supply voltage or to ground. Tying ENVREG to VDD enables the regulator, while tying it to ground disables the regulator. Refer to [Section 28.3 “On-Chip Voltage Regulator”](#) for details on connecting and using the on-chip regulator.

When the regulator is enabled, a low-ESR ( $< 5\Omega$ ) capacitor is required on the VCAP/VDDCORE pin to stabilize the voltage regulator output voltage. The VCAP/VDDCORE pin must not be connected to VDD and must use a capacitor of  $10\ \mu\text{F}$  connected to ground. The type can be ceramic or tantalum. Suitable examples of capacitors are shown in [Table 2-1](#). Capacitors with equivalent specifications can be used.

Designers may use [Figure 2-3](#) to evaluate ESR equivalence of candidate devices.

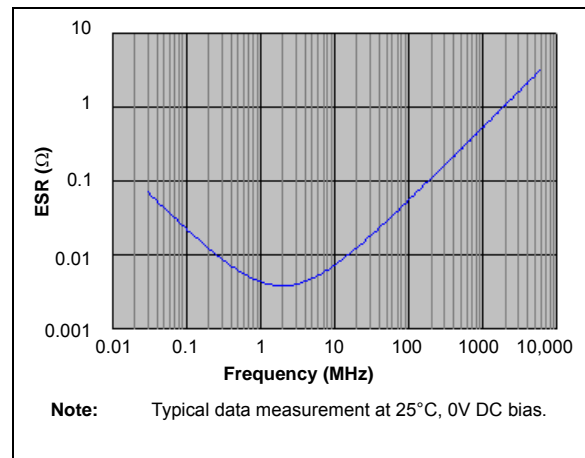
It is recommended that the trace length not exceed 0.25 inch (6 mm). Refer to [Section 31.0 “Electrical Characteristics”](#) for additional information.

When the regulator is disabled, the VCAP/VDDCORE pin must be tied to a voltage supply at the VDDCORE level. Refer to [Section 31.0 “Electrical Characteristics”](#) for information on VDD and VDDCORE.

Some PIC18FXXX families, or some devices within a family, do not provide the option of enabling or disabling the on-chip voltage regulator:

- Some devices (with the name, PIC18LFXXX) permanently disable the voltage regulator. These devices do not have the ENVREG pin and require a  $0.1\ \mu\text{F}$  capacitor on the VCAP/VDDCORE pin. The VDD level of these devices must comply with the “voltage regulator disabled” specification for Parameter D001, in [Section 31.0 “Electrical Characteristics”](#).
- Some devices permanently enable the voltage regulator. These devices also do not have the ENVREG pin. The  $10\ \mu\text{F}$  capacitor is still required on the VCAP/VDDCORE pin.

**FIGURE 2-3: FREQUENCY vs. ESR PERFORMANCE FOR SUGGESTED VCAP**



**TABLE 2-1: SUITABLE CAPACITOR EQUIVALENTS**

| Make      | Part #             | Nominal Capacitance | Base Tolerance | Rated Voltage | Temp. Range  |
|-----------|--------------------|---------------------|----------------|---------------|--------------|
| TDK       | C3216X7R1C106K     | 10 $\mu\text{F}$    | $\pm 10\%$     | 16V           | -55 to 125°C |
| TDK       | C3216X5R1C106K     | 10 $\mu\text{F}$    | $\pm 10\%$     | 16V           | -55 to 85°C  |
| Panasonic | ECJ-3YX1C106K      | 10 $\mu\text{F}$    | $\pm 10\%$     | 16V           | -55 to 125°C |
| Panasonic | ECJ-4YB1C106K      | 10 $\mu\text{F}$    | $\pm 10\%$     | 16V           | -55 to 85°C  |
| Murata    | GRM32DR71C106KA01L | 10 $\mu\text{F}$    | $\pm 10\%$     | 16V           | -55 to 125°C |
| Murata    | GRM31CR61C106KC31L | 10 $\mu\text{F}$    | $\pm 10\%$     | 16V           | -55 to 85°C  |

# PIC18F87K90 FAMILY

## 2.4.1 CONSIDERATIONS FOR CERAMIC CAPACITORS

In recent years, large value, low-voltage, surface-mount ceramic capacitors have become very cost effective in sizes up to a few tens of microfarad. The low-ESR, small physical size and other properties make ceramic capacitors very attractive in many types of applications.

Ceramic capacitors are suitable for use with the internal voltage regulator of this microcontroller. However, some care is needed in selecting the capacitor to ensure that it maintains sufficient capacitance over the intended operating range of the application.

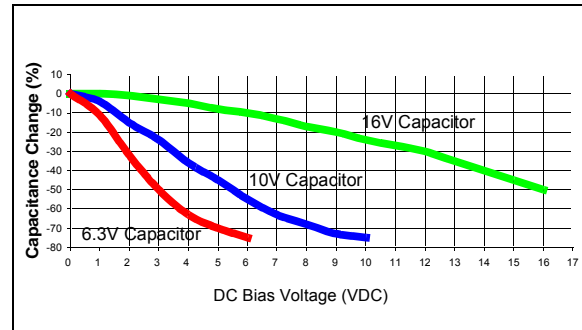
Typical low-cost, 10  $\mu\text{F}$  ceramic capacitors are available in X5R, X7R and Y5V dielectric ratings (other types are also available, but are less common). The initial tolerance specifications for these types of capacitors are often specified as  $\pm 10\%$  to  $\pm 20\%$  (X5R and X7R), or  $-20\%/+80\%$  (Y5V). However, the effective capacitance that these capacitors provide in an application circuit will also vary based on additional factors, such as the applied DC bias voltage and the temperature. The total in-circuit tolerance is, therefore, much wider than the initial tolerance specification.

The X5R and X7R capacitors typically exhibit satisfactory temperature stability (ex:  $\pm 15\%$  over a wide temperature range, but consult the manufacturer's data sheets for exact specifications). However, Y5V capacitors typically have extreme temperature tolerance specifications of  $+22\%/ -82\%$ . Due to the extreme temperature tolerance, a 10  $\mu\text{F}$  nominal rated Y5V type capacitor may not deliver enough total capacitance to meet minimum internal voltage regulator stability and transient response requirements. Therefore, Y5V capacitors are not recommended for use with the internal regulator if the application must operate over a wide temperature range.

In addition to temperature tolerance, the effective capacitance of large value ceramic capacitors can vary substantially, based on the amount of DC voltage applied to the capacitor. This effect can be very significant, but is often overlooked or is not always documented.

A typical DC bias voltage vs. capacitance graph for X7R type and Y5V type capacitors is shown in [Figure 2-4](#).

**FIGURE 2-4: DC BIAS VOLTAGE vs. CAPACITANCE CHARACTERISTICS**



When selecting a ceramic capacitor to be used with the internal voltage regulator, it is suggested to select a high-voltage rating, so that the operating voltage is a small percentage of the maximum rated capacitor voltage. For example, choose a ceramic capacitor rated at 16V for the 2.5V core voltage. Suggested capacitors are shown in [Table 2-1](#).

## 2.5 ICSP Pins

The PGC and PGD pins are used for In-Circuit Serial Programming™ (ICSP™) and debugging purposes. It is recommended to keep the trace length between the ICSP connector and the ICSP pins on the device as short as possible. If the ICSP connector is expected to experience an ESD event, a series resistor is recommended, with the value in the range of a few tens of ohms, not to exceed 100 $\Omega$ .

Pull-up resistors, series diodes and capacitors on the PGC and PGD pins are not recommended as they will interfere with the programmer/debugger communications to the device. If such discrete components are an application requirement, they should be removed from the circuit during programming and debugging. Alternatively, refer to the AC/DC characteristics and timing requirements information in the respective device Flash programming specification for information on capacitive loading limits, and pin input voltage high ( $V_{IH}$ ) and input low ( $V_{IL}$ ) requirements.

For device emulation, ensure that the “Communication Channel Select” (i.e., PGCx/PGDx pins), programmed into the device, matches the physical connections for the ICSP to the Microchip debugger/emulator tool.

For more information on available Microchip development tools connection requirements, refer to [Section 30.0 “Development Support”](#).

## 2.6 External Oscillator Pins

Many microcontrollers have options for at least two oscillators: a high-frequency primary oscillator and a low-frequency secondary oscillator (refer to **Section 3.0 “Oscillator Configurations”** for details).

The oscillator circuit should be placed on the same side of the board as the device. Place the oscillator circuit close to the respective oscillator pins with no more than 0.5 inch (12 mm) between the circuit components and the pins. The load capacitors should be placed next to the oscillator itself, on the same side of the board.

Use a grounded copper pour around the oscillator circuit to isolate it from surrounding circuits. The grounded copper pour should be routed directly to the MCU ground. Do not run any signal traces or power traces inside the ground pour. Also, if using a two-sided board, avoid any traces on the other side of the board where the crystal is placed.

Layout suggestions are shown in Figure 2-4. In-line packages may be handled with a single-sided layout that completely encompasses the oscillator pins. With fine-pitch packages, it is not always possible to completely surround the pins and components. A suitable solution is to tie the broken guard sections to a mirrored ground layer. In all cases, the guard trace(s) must be returned to ground.

In planning the application’s routing and I/O assignments, ensure that adjacent port pins, and other signals in close proximity to the oscillator, are benign (i.e., free of high frequencies, short rise and fall times, and other similar noise).

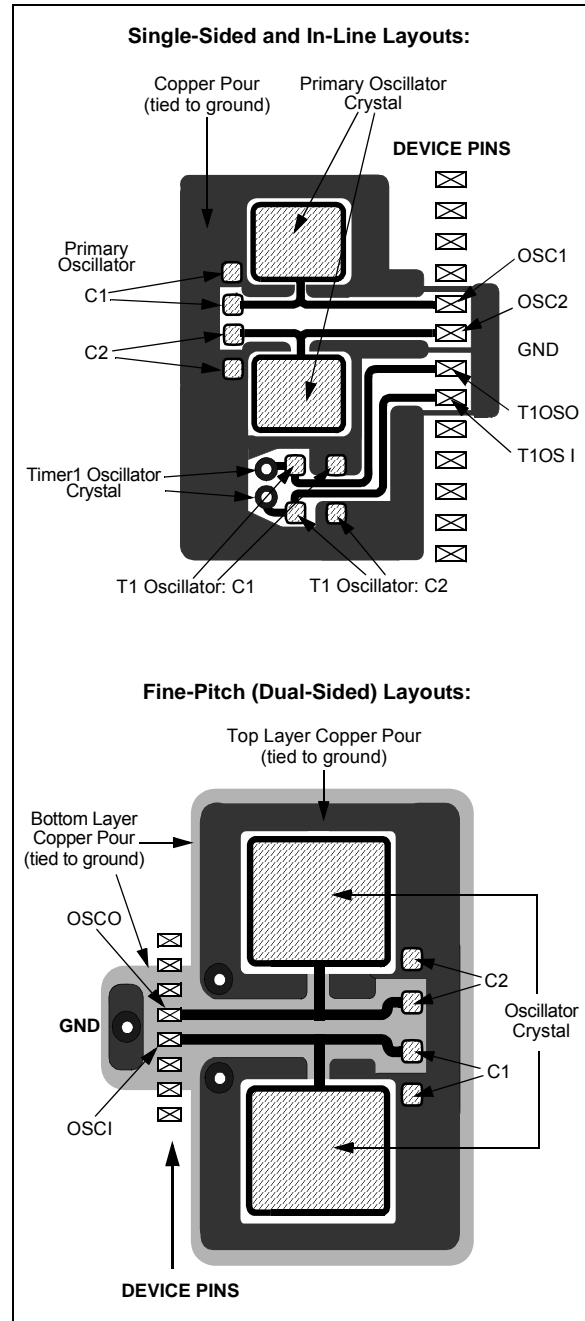
For additional information and design guidance on oscillator circuits, please refer to these Microchip Application Notes, available at the corporate web site ([www.microchip.com](http://www.microchip.com)):

- AN826, “Crystal Oscillator Basics and Crystal Selection for rPIC™ and PICmicro® Devices”
- AN849, “Basic PICmicro® Oscillator Design”
- AN943, “Practical PICmicro® Oscillator Analysis and Design”
- AN949, “Making Your Oscillator Work”

## 2.7 Unused I/Os

Unused I/O pins should be configured as outputs and driven to a logic low state. Alternatively, connect a 1 kΩ to 10 kΩ resistor to Vss on unused pins and drive the output to logic low.

**FIGURE 2-5: SUGGESTED PLACEMENT OF THE OSCILLATOR CIRCUIT**



# PIC18F87K90 FAMILY

---

NOTES:



## 3.0 OSCILLATOR CONFIGURATIONS

### 3.1 Oscillator Types

The PIC18F87K90 family of devices can be operated in the following oscillator modes:

- EC External Clock, RA6 available
- ECIO External Clock, Clock Out RA6 (Fosc/4 on RA6)
- HS High-Speed Crystal/Resonator
- XT Crystal/Resonator
- LP Low-Power Crystal
- RC External Resistor/Capacitor, RA6 available
- RCIO External Resistor/Capacitor, Clock Out RA6 (Fosc/4 on RA6)
- INTIO2 Internal Oscillator with I/O on RA6 and RA7
- INTIO1 Internal Oscillator with Fosc/4 Output on RA6 and I/O on RA7

There is also an option for running the 4xPLL on any of the clock sources in the input frequency range of 4 to 16 MHz.

The PLL is enabled by setting the PLLCFG bit (CONFIG1H<4>) or the PLEN bit (OSCTUNE<6>).

For the EC and HS mode, the PLEN (software) or PLLCFG (CONFIG) bit can be used to enable the PLL.

For the INTIOx modes (HF-INTOSC):

- Only the PLEN can enable the PLL (PLLCFG is ignored).
- When the oscillator is configured for the internal oscillator (OSC<3:0> = 100x), the PLL can be enabled only when the HF-INTOSC frequency is 8 or 16 MHz.

When the RA6 and RA7 pins are not used for an oscillator function or CLKOUT function, they are available as general purpose I/Os.

To optimize power consumption when using EC/HS/XT/LP/RC as the primary oscillator, the frequency input range can be configured to yield an optimized power bias:

- Low-Power Bias – External frequency less than 160 kHz
- Medium Power Bias – External frequency between 160 kHz and 16 MHz
- High-Power Bias – External frequency greater than 16 MHz

All of these modes are selected by the user by programming the OSC<3:0> Configuration bits (CONFIG1H<3:0>). In addition, PIC18F87K90 family devices can switch between different clock sources, either under software control or under certain conditions, automatically. This allows for additional power savings by managing device clock speed in real time without resetting the application. The clock sources for the PIC18F87K90 family of devices are shown in [Figure 3-1](#).

For the HS and EC mode, there are additional power modes of operation – depending on the frequency of operation.

HS1 is the Medium Power mode with a frequency range of 4 MHz to 16 MHz. HS2 is the High-Power mode where the oscillator frequency can go from 16 MHz to 25 MHz. HS1 and HS2 are achieved by setting the CONFIG1H<3:0> correctly. (For details, see [Register 28-2](#) on page 428.)

EC mode has these modes of operation:

- EC1 – For low power with a frequency range up to 160 kHz
- EC2 – Medium power with a frequency range of 160 kHz to 16 MHz
- EC3 – High power with a frequency range of 16 MHz to 64 MHz

EC1, EC2 and EC3 are achieved by setting the CONFIG1H<3:0> correctly. (For details, see [Register 28-2](#) on page 428.)

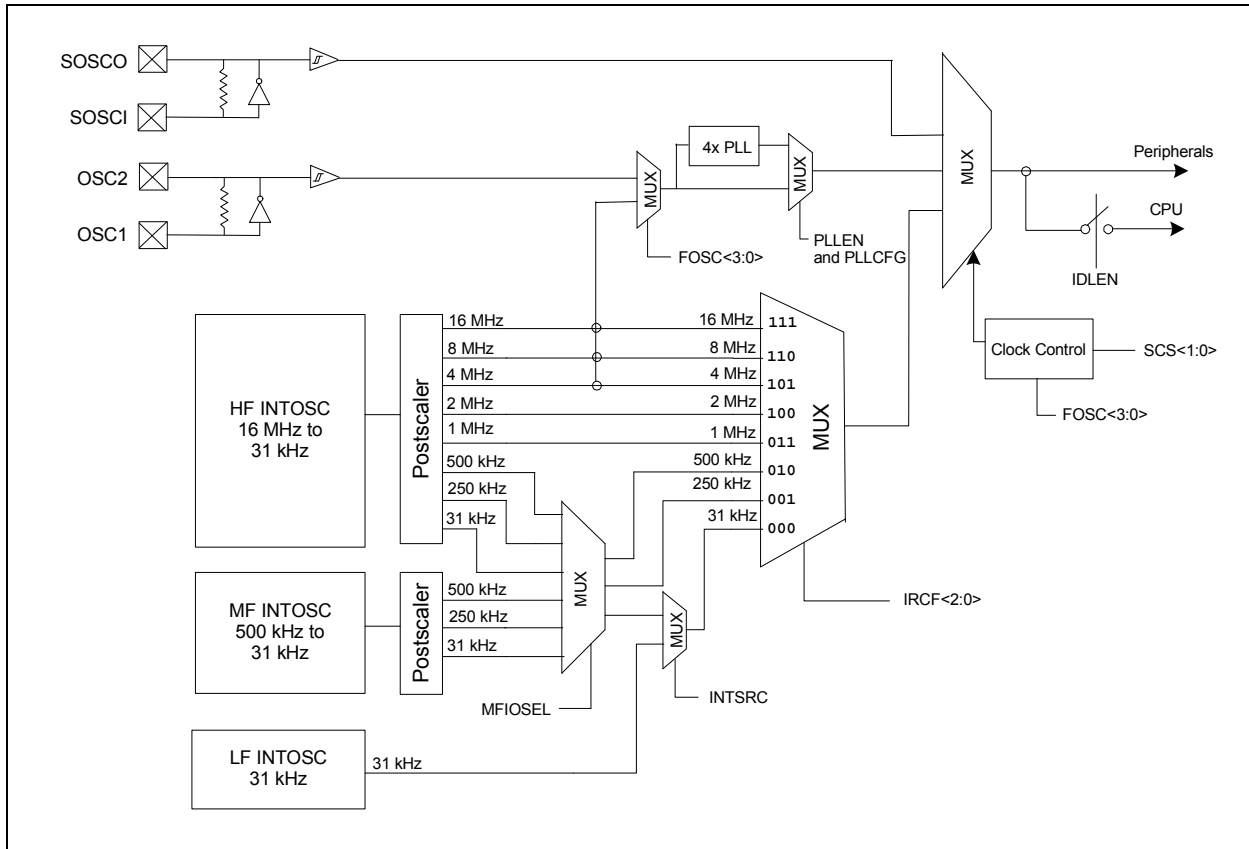
[Table 3-1](#) shows the HS and EC modes' frequency range and OSC<3:0> settings.

# PIC18F87K90 FAMILY

**TABLE 3-1: HS, EC, XT, LP AND RC MODES: RANGES AND SETTINGS**

| Mode               | Frequency Range | OSC<3:0> Setting              |
|--------------------|-----------------|-------------------------------|
| EC1 (low power)    | DC-160 kHz      | 1101                          |
| (EC1 & EC1IO)      |                 | 1100                          |
| EC2 (medium power) | 160 kHz-16 MHz  | 1011                          |
| (EC2 & EC2IO)      |                 | 1010                          |
| EC3 (high power)   | 16 MHz-64 MHz   | 0101                          |
| (EC3 & EC3IO)      |                 | 0100                          |
| HS1 (medium power) | 4 MHz-16 MHz    | 0011                          |
| HS2 (high power)   | 16 MHz-25 MHz   | 0010                          |
| XT                 | 100 kHz-4 MHz   | 0001                          |
| LP                 | 31.25 kHz       | 0000                          |
| RC (External)      | 0-4 MHz         | 011x                          |
| INTIO              | 32 kHz-16 MHz   | 100x<br>(and OSCCON, OSCCON2) |

**FIGURE 3-1: PIC18F87K90 FAMILY CLOCK DIAGRAM**



# PIC18F87K90 FAMILY

## 3.2 Control Registers

The OSCCON register (Register 3-1) controls the main aspects of the device clock's operation. It selects the oscillator type to be used, which of the power-managed modes to invoke and the output frequency of the INTOSC source. It also provides status on the oscillators.

The OSCTUNE register (Register 3-3) controls the tuning and operation of the internal oscillator block. It also implements the PLEN bit which controls the operation of the Phase Locked Loop (PLL) (see Section 3.5.2 "PLL Frequency Multiplier").

### REGISTER 3-1: OSCCON: OSCILLATOR CONTROL REGISTER

|       |                      |                      |                      |                  |        |                     |                     |
|-------|----------------------|----------------------|----------------------|------------------|--------|---------------------|---------------------|
| R/W-0 | R/W-1                | R/W-1                | R/W-0                | R <sup>(1)</sup> | R-0    | R/W-0               | R/W-0               |
| IDLEN | IRCF2 <sup>(2)</sup> | IRCF1 <sup>(2)</sup> | IRCF0 <sup>(2)</sup> | OSTS             | HFIOFS | SCS1 <sup>(4)</sup> | SCS0 <sup>(4)</sup> |
| bit 7 |                      |                      |                      |                  |        |                     | bit 0               |

#### Legend:

|                   |                  |                                    |
|-------------------|------------------|------------------------------------|
| R = Readable bit  | W = Writable bit | U = Unimplemented bit, read as '0' |
| -n = Value at POR | '1' = Bit is set | '0' = Bit is cleared               |
|                   |                  | x = Bit is unknown                 |

bit 7 **IDLEN:** Idle Enable bit

- 1 = Device enters an Idle mode when a SLEEP instruction is executed
- 0 = Device enters Sleep mode when a SLEEP instruction is executed

bit 6-4 **IRCF<2:0>:** Internal Oscillator Frequency Select bits<sup>(2)</sup>

- 111 = HF-INTOSC output frequency is used (16 MHz)
- 110 = HF-INTOSC/2 output frequency is used (8 MHz, default)
- 101 = HF-INTOSC/4 output frequency is used (4 MHz)
- 100 = HF-INTOSC/8 output frequency is used (2 MHz)
- 011 = HF-INTOSC/16 output frequency is used (1 MHz)

If INTSRC = 0 and MFIOSEL = 0:<sup>(3,5)</sup>

- 010 = HF-INTOSC/32 output frequency is used (500 kHz)
- 001 = HF-INTOSC/64 output frequency is used (250 kHz)
- 000 = LF-INTOSC output frequency is used (31.25 kHz)

If INTSRC = 1 and MFIOSEL = 0:<sup>(3,5)</sup>

- 010 = HF-INTOSC/32 output frequency is used (500 kHz)
- 001 = HF-INTOSC/64 output frequency is used (250 kHz)
- 000 = HF-INTOSC/512 output frequency is used (31.25 kHz)

If INTSRC = 0 and MFIOSEL = 1:<sup>(3,5)</sup>

- 010 = MF-INTOSC output frequency is used (500 kHz)
- 001 = MF-INTOSC/2 output frequency is used (250 kHz)
- 000 = LF-INTOSC output frequency is used (31.25 kHz)

If INTSRC = 1 and MFIOSEL = 1:<sup>(3,5)</sup>

- 010 = MF-INTOSC output frequency is used (500 kHz)
- 001 = MF-INTOSC/2 output frequency is used (250 kHz)
- 000 = MF-INTOSC/16 output frequency is used (31.25 kHz)

bit 3 **OSTS:** Oscillator Start-up Timer Time-out Status bit<sup>(1)</sup>

- 1 = Oscillator Start-up Timer (OST) time-out has expired: primary oscillator is running as defined by OSC<3:0>
- 0 = Oscillator Start-up Timer (OST) time-out is running: primary oscillator is not ready; device is running from an internal oscillator (HF-INTOSC, MF-INTOSC or LF-INTOSC)

**Note 1:** Reset state depends on the state of the IESO Configuration bit (CONFIG1H<7>).

**2:** Modifying these bits will cause an immediate clock frequency switch if the internal oscillator is providing the device clocks.

**3:** Source selected by the INTSRC bit (OSCTUNE<7>).

**4:** Modifying these bits will cause an immediate clock source switch.

**5:** INTSRC = OSCTUNE<7> and MFIOSEL = OSCCON2<0>.

# PIC18F87K90 FAMILY

## REGISTER 3-1: OSCCON: OSCILLATOR CONTROL REGISTER (CONTINUED)

- bit 2      **HFIOFS:** INTOSC Frequency Stable bit  
           1 = HF-INTOSC oscillator frequency is stable  
           0 = HF-INTOSC oscillator frequency is not stable
- bit 1-0    **SCS<1:0>:** System Clock Select bits<sup>(4)</sup>  
           1x = Internal oscillator block (LF-INTOSC, MF-INTOSC or HF-INTOSC)  
           01 = SOSC oscillator  
           00 = Default primary oscillator (OSC1/OSC2 or HF-INTOSC with or without PLL; defined by the OSC<3:0> Configuration bits, CONFIG1H<3:0>.)

- Note 1:** Reset state depends on the state of the IESO Configuration bit (CONFIG1H<7>).  
**2:** Modifying these bits will cause an immediate clock frequency switch if the internal oscillator is providing the device clocks.  
**3:** Source selected by the INTSRC bit (OSCTUNE<7>).  
**4:** Modifying these bits will cause an immediate clock source switch.  
**5:** INTSRC = OSCTUNE<7> and MFIOSEL = OSCCON2<0>.

## REGISTER 3-2: OSCCON2: OSCILLATOR CONTROL REGISTER 2

|       |         |     |     |        |     |        |         |
|-------|---------|-----|-----|--------|-----|--------|---------|
| U-0   | R-0     | U-0 | U-0 | R/W-0  | U-0 | R-x    | R/W-0   |
| —     | SOSCRUN | —   | —   | SOSCGO | —   | MFIOFS | MFIOSEL |
| bit 7 |         |     |     |        |     |        | bit 0   |

### Legend:

|                   |                  |  |
|-------------------|------------------|--|
| R = Readable bit  | W = Writable bit | U = Unimplemented bit, read as '0'           |
| -n = Value at POR | '1' = Bit is set | '0' = Bit is cleared      x = Bit is unknown |

- bit 7      **Unimplemented:** Read as '0'
- bit 6      **SOSCRUN:** SOSC Run Status bit  
           1 = System clock comes from a secondary SOSC  
           0 = System clock comes from an oscillator other than SOSC
- bit 5-4    **Unimplemented:** Read as '0'
- bit 3      **SOSCGO:** Oscillator Start Control bit  
           1 = Oscillator is running, even if no other sources are requesting it  
           0 = Oscillator is shut off if no other sources are requesting it (When the SOSC is selected to run from a digital clock input, rather than an external crystal, this bit has no effect.)
- bit 2      **Unimplemented:** Read as '0'
- bit 1      **MFIOFS:** MF-INTOSC Frequency Stable bit  
           1 = MF-INTOSC is stable  
           0 = MF-INTOSC is not stable
- bit 0      **MFIOSEL:** MF-INTOSC Select bit  
           1 = MF-INTOSC is used in place of HF-INTOSC frequencies of 500 kHz, 250 kHz and 31.25 kHz  
           0 = MF-INTOSC is not used

# PIC18F87K90 FAMILY

## REGISTER 3-3: OSCTUNE: OSCILLATOR TUNING REGISTER

| R/W-0  | R/W-0 | R/W-0 | R/W-0 | R/W-0 | R/W-0 | R/W-0 | R/W-0 |
|--------|-------|-------|-------|-------|-------|-------|-------|
| INTSRC | PLLEN | TUN5  | TUN4  | TUN3  | TUN2  | TUN1  | TUN0  |
| bit 7  |       |       |       |       |       |       | bit 0 |

### Legend:

|                   |                  |                                    |
|-------------------|------------------|------------------------------------|
| R = Readable bit  | W = Writable bit | U = Unimplemented bit, read as '0' |
| -n = Value at POR | '1' = Bit is set | '0' = Bit is cleared               |
|                   |                  | x = Bit is unknown                 |

|         |   |
|---------|---|
| bit 7   | <b>INTSRC:</b> Internal Oscillator Low-Frequency Source Select bit<br>1 = 31.25 kHz device clock is derived from 16 MHz INTOSC source (divide-by-512 enabled, HF-INTOSC)<br>0 = 31 kHz device clock is derived from INTRC 31 kHz oscillator (LF-INTOSC)               |
| bit 6   | <b>PLLEN:</b> Frequency Multiplier PLL Enable bit<br>1 = PLL is enabled<br>0 = PLL is disabled  |
| bit 5-0 | <b>TUN&lt;5:0&gt;:</b> Fast RC Oscillator (INTOSC) Frequency Tuning bits<br>011111 = Maximum frequency<br>.<br>.<br>000001<br>000000 = Center frequency. Fast RC oscillator is running at the calibrated frequency.<br>111111<br>.<br>.<br>100000 = Minimum frequency |

### 3.3 Clock Sources and Oscillator Switching

Essentially, PIC18F87K90 family devices have these independent clock sources:

- Primary oscillators
- Secondary oscillators
- Internal oscillator

The **primary oscillators** can be thought of as the main device oscillators. These are any external oscillators connected to the OSC1 and OSC2 pins, and include the External Crystal and Resonator modes and the External Clock modes. If selected by the OSC<3:0> Configuration bits (CONFIG1H<3:0>), the internal oscillator block may be considered a primary oscillator. The internal oscillator block can be one of the following:

- 31 kHz LF-INTRC source
- 31 kHz to 500 kHz MF-INTOSC source
- 31 kHz to 16 MHz HF-INTOSC source

The particular mode is defined by the OSC Configuration bits. The details of these modes are covered in [Section 3.4 “External Oscillator Modes”](#).

The **secondary oscillators** are external clock sources that are not connected to the OSC1 or OSC2 pin. These sources may continue to operate, even after the controller is placed in a power-managed

mode. PIC18F87K90 family devices offer the SOSC (Timer1/3/5/7) oscillator as a secondary oscillator source. This oscillator, in all power-managed modes, is often the time base for functions, such as a Real-Time Clock (RTC).

The SOSSEN bit in the corresponding timer should be set correctly for the enabled SOSC. The SOSCEL<1:0> bits (CONFIG1L<4:3>) decide the SOSC mode of operation:

- 11 = High-power SOSC circuit
- 10 = Digital (SCLKI) mode
- 01 = Low-power SOSC circuit

In addition to being a primary clock source in some circumstances, the **internal oscillator** is available as a power-managed mode clock source. The LF-INTOSC source is also used as the clock source for several special features, such as the WDT and Fail-Safe Clock Monitor. The internal oscillator block is discussed in more detail in [Section 3.6 “Internal Oscillator Block”](#).

The PIC18F87K90 family includes features that allow the device clock source to be switched from the main oscillator, chosen by device configuration, to one of the alternate clock sources. When an alternate clock source is enabled, various power-managed operating modes are available.

# PIC18F87K90 FAMILY

## 3.3.1 OSC1/OSC2 OSCILLATOR

The OSC1/OSC2 oscillator block is used to provide the oscillator modes and frequency ranges:

| Mode  | Design Operating Frequency   |
|-------|------------------------------|
| LP    | 31.25-100 kHz                |
| XT    | 100 kHz to 4 MHz             |
| HS    | 4 MHz to 25 MHz              |
| EC    | 0 to 64 MHz (external clock) |
| EXTRC | 0 to 4 MHz (external RC)     |

The crystal-based oscillators (XT, HS and LP) have a built-in start-up time. The operation of the EC and EXTRC clocks is immediate.

## 3.3.2 CLOCK SOURCE SELECTION

The System Clock Select bits, SCS<1:0> (OSCCON2<1:0>), select the clock source. The available clock sources are the primary clock defined by the OSC<3:0> Configuration bits, the secondary clock (SOSC oscillator) and the internal oscillator. The clock source changes after one or more of the bits is written to, following a brief clock transition interval.

The OSTS (OSCCON<3>) and SOSCRUN (OSCCON2<6>) bits indicate which clock source is currently providing the device clock. The OSTS bit indicates that the Oscillator Start-up Timer (OST) has timed out and the primary clock is providing the device clock in primary clock modes. The SOSCRUN bit indicates when the SOSC oscillator (from Timer1/3/5/7) is providing the device clock in secondary clock modes. In power-managed modes, only one of these bits will be set at any time. If neither of these bits is set, the INTRC is providing the clock, or the internal oscillator has just started and is not yet stable.

The IDLEN bit (OSCCON<7>) determines if the device goes into Sleep mode or one of the Idle modes when the SLEEP instruction is executed.

The use of the flag and control bits in the OSCCON register is discussed in more detail in [Section 4.0 “Power-Managed Modes”](#).

**Note 1:** The secondary oscillator must be enabled to select the secondary clock source. The SOSC oscillator is enabled by setting the SOSCGO bit in the OSCCON2 register (OSCCON<3>). If the SOSC oscillator is not enabled, then any attempt to select a secondary clock source when executing a SLEEP instruction will be ignored.

**2:** It is recommended that the secondary oscillator be operating and stable before executing the SLEEP instruction or a very long delay may occur while the SOSC oscillator starts.

## 3.3.2.1 System Clock Selection and Device Resets

Since the SCS bits are cleared on all forms of Reset, this means the primary oscillator, defined by the OSC<3:0> Configuration bits, is used as the primary clock source on device Resets. This could either be the internal oscillator block by itself, or one of the other primary clock source (HS, EC, XT, LP, External RC and PLL-enabled modes).

In those cases when the internal oscillator block, without PLL, is the default clock on Reset, the Fast RC oscillator (INTOSC) will be used as the device clock source. It will initially start at 8 MHz; the postscaler selection that corresponds to the Reset value of the IRCF<2:0> bits ('110').

Regardless of which primary oscillator is selected, INTRC will always be enabled on device power-up. It serves as the clock source until the device has loaded its configuration values from memory. It is at this point that the OSC Configuration bits are read and the oscillator selection of the operational mode is made.

Note that either the primary clock source or the internal oscillator will have two bit setting options for the possible values of the SCS<1:0> bits, at any given time.

## 3.3.3 OSCILLATOR TRANSITIONS

PIC18F87K90 family devices contain circuitry to prevent clock “glitches” when switching between clock sources. A short pause in the device clock occurs during the clock switch. The length of this pause is the sum of two cycles of the old clock source and three to four cycles of the new clock source. This formula assumes that the new clock source is stable.

Clock transitions are discussed in greater detail in [Section 4.1.2 “Entering Power-Managed Modes”](#).

## 3.4 External Oscillator Modes

### 3.4.1 CRYSTAL OSCILLATOR/CERAMIC RESONATORS (HS MODES)

In HS or HSPLL Oscillator modes, a crystal or ceramic resonator is connected to the OSC1 and OSC2 pins to establish oscillation. [Figure 3-2](#) shows the pin connections.

The oscillator design requires the use of a crystal rated for parallel resonant operation.

**Note:** Use of a crystal rated for series resonant operation may give a frequency out of the crystal manufacturer's specifications.

# PIC18F87K90 FAMILY

**TABLE 3-2: CAPACITOR SELECTION FOR CERAMIC RESONATORS**

| Typical Capacitor Values Used: |          |       |       |
|--------------------------------|----------|-------|-------|
| Mode                           | Freq.    | OSC1  | OSC2  |
| HS                             | 8.0 MHz  | 27 pF | 27 pF |
|                                | 16.0 MHz | 22 pF | 22 pF |

**Capacitor values are for design guidance only.**

Different capacitor values may be required to produce acceptable oscillator operation. The user should test the performance of the oscillator over the expected VDD and temperature range for the application. Refer to the following application notes for oscillator-specific information:

- AN588, "PIC® Microcontroller Oscillator Design Guide"
- AN826, "Crystal Oscillator Basics and Crystal Selection for rPIC® and PIC® Devices"
- AN849, "Basic PIC® Oscillator Design"
- AN943, "Practical PIC® Oscillator Analysis and Design"
- AN949, "Making Your Oscillator Work"

See the notes following [Table 3-3](#) for additional information.

**TABLE 3-3: CAPACITOR SELECTION FOR CRYSTAL OSCILLATOR**

| Osc Type | Crystal Freq. | Typical Capacitor Values Tested: |       |
|----------|---------------|----------------------------------|-------|
|          |               | C1                               | C2    |
| HS       | 4 MHz         | 27 pF                            | 27 pF |
|          | 8 MHz         | 22 pF                            | 22 pF |
|          | 20 MHz        | 15 pF                            | 15 pF |

**Capacitor values are for design guidance only.**

Different capacitor values may be required to produce acceptable oscillator operation. The user should test the performance of the oscillator over the expected VDD and temperature range for the application.

Refer to the Microchip application notes cited in [Table 3-2](#) for oscillator-specific information. Also see the notes following this table for additional information.

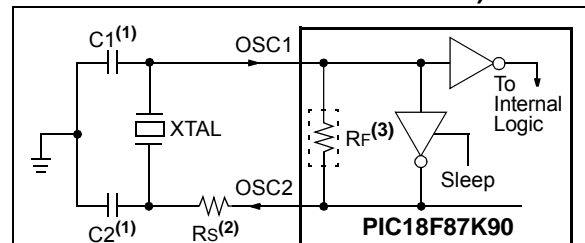
**Note 1:** Higher capacitance increases the stability of the oscillator but also increases the start-up time.

**2:** Since each resonator/crystal has its own characteristics, the user should consult the resonator/crystal manufacturer for appropriate values of external components.

**3:** Rs may be required to avoid overdriving crystals with low drive level specification.

**4:** Always verify oscillator performance over the VDD and temperature range that is expected for the application.

**FIGURE 3-2: CRYSTAL/CERAMIC RESONATOR OPERATION (HS OR HSPLL CONFIGURATION)**



**Note 1:** See [Table 3-2](#) and [Table 3-3](#) for initial values of C1 and C2.

**2:** A series resistor (Rs) may be required for AT strip cut crystals.

**3:** RF varies with the oscillator mode chosen.

## 3.5 RC Oscillator

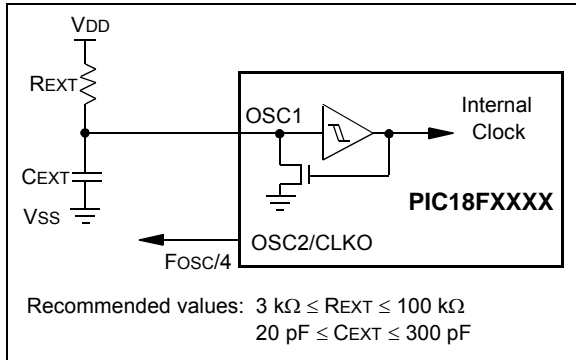
For timing-insensitive applications, the RC and RCIO Oscillator modes offer additional cost savings. The actual oscillator frequency is a function of several factors:

- Supply voltage
- Values of the external resistor (REXT) and capacitor (CEXT)
- Operating temperature – Given the same device, operating voltage and temperature and component values, there will also be unit-to-unit frequency variations. These are due to factors, such as:
  - Normal manufacturing variation
  - Difference in lead frame capacitance between package types (especially for low CEXT values)
  - Variations within the tolerance of limits of REXT and CEXT

# PIC18F87K90 FAMILY

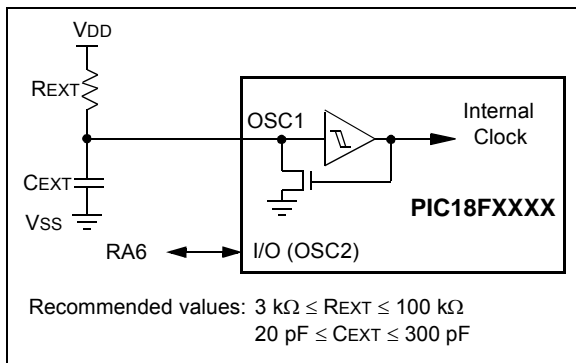
In the RC Oscillator mode, the oscillator frequency divided by 4 is available on the OSC2 pin. This signal may be used for test purposes or to synchronize other logic. Figure 3-3 shows how the R/C combination is connected.

**FIGURE 3-3: RC OSCILLATOR MODE**



The RCIO Oscillator mode (Figure 3-4) functions like the RC mode, except that the OSC2 pin becomes an additional general purpose I/O pin. The I/O pin becomes bit 6 of PORTA (RA6).

**FIGURE 3-4: RCIO OSCILLATOR MODE**

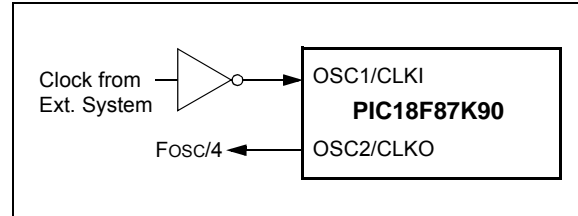


## 3.5.1 EXTERNAL CLOCK INPUT (EC MODES)

The EC and ECPLL Oscillator modes require an external clock source to be connected to the OSC1 pin. There is no oscillator start-up time required after a Power-on Reset or after an exit from Sleep mode.

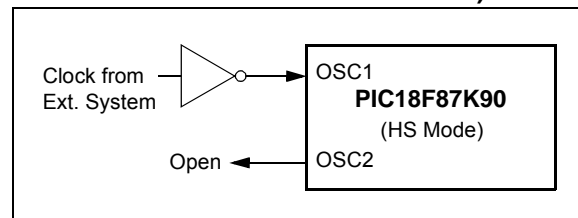
In the EC Oscillator mode, the oscillator frequency, divided by 4, is available on the OSC2 pin. This signal may be used for test purposes or to synchronize other logic. Figure 3-5 shows the pin connections for the EC Oscillator mode.

**FIGURE 3-5: EXTERNAL CLOCK INPUT OPERATION (EC CONFIGURATION)**



An external clock source may also be connected to the OSC1 pin in the HS mode, as shown in Figure 3-6. In this configuration, the divide-by-4 output on OSC2 is not available. Current consumption in this configuration will be somewhat higher than EC mode, as the internal oscillator's feedback circuitry will be enabled (in EC mode, the feedback circuit is disabled).

**FIGURE 3-6: EXTERNAL CLOCK INPUT OPERATION (HS OSC CONFIGURATION)**



## 3.5.2 PLL FREQUENCY MULTIPLIER

A Phase Lock Loop (PLL) circuit is provided as an option for users who want to use a lower frequency oscillator circuit, or to clock the device up to its highest rated frequency from a crystal oscillator. This may be useful for customers who are concerned with EMI due to high-frequency crystals, or users who require higher clock speeds from an internal oscillator.

### 3.5.2.1 HSPLL and ECPLL Modes

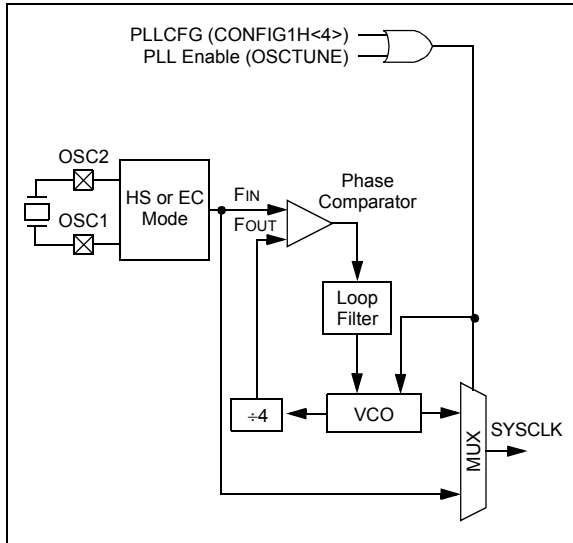
The HSPLL and ECPLL modes provide the ability to selectively run the device at four times the external oscillating source to produce frequencies up to 64 MHz.

The PLL is enabled by setting the PLEN bit (OSCTUNE<6>) or the PLLCFG bit (CONFIG1H<4>). The PLEN bit provides software control for the PLL, even if PLLCFG is set to '0'. The PLL is enabled only when the HS or EC oscillator frequency is within the 4 MHz to 16 MHz input range.

This enables additional flexibility for controlling the application's clock speed in software. The PLEN should be enabled in HS or EC Oscillator mode only if the input frequency is in the range of 4 MHz-16 MHz.



**FIGURE 3-7: PLL BLOCK DIAGRAM**



### 3.5.2.2 PLL and HF-INTOSC

The PLL is available to the internal oscillator block when the internal oscillator block is configured as the primary clock source. In this configuration, the PLL is enabled in software and generates a clock output of up to 64 MHz.

The operation of INTOSC with the PLL is described in [Section 3.6.2 “INTPLL Modes”](#). Care should be taken that the PLL is enabled only if the HF-INTOSC postscaler is configured for 8 MHz or 16 MHz.

## 3.6 Internal Oscillator Block

The PIC18F87K90 family of devices includes an internal oscillator block which generates two different clock signals. Either clock can be used as the microcontroller’s clock source, which may eliminate the need for an external oscillator circuit on the OSC1 and/or OSC2 pins.

The internal oscillator consists of three blocks, depending on the frequency of operation. They are HF-INTOSC, MF-INTOSC and LF-INTRC.

In HF-INTOSC mode, the internal oscillator can provide a frequency, ranging from 31 kHz to 16 MHz, with the postscaler deciding the selected frequency (IRCF<2:0>).

The INTSRC bit (OSCTUNE<7>) and MFIOSEL bit (OSCCON2<0>) also decide which INTOSC provides the lower frequency (500 kHz to 31 kHz). For the HF-INTOSC to provide these frequencies, INTSRC = 1 and MFIOSEL = 0.

In HF-INTOSC, the postscaler (IRCF<2:0>) provides the frequency range of 31 kHz to 16 MHz. If HF-INTOSC is used with the PLL, the input frequency to the PLL should be 8 MHz or 16 MHz (IRCF<2:0> = 111, 110).

For MF-INTOSC mode to provide a frequency range of 500 kHz to 31 kHz, INTSRC = 1 and MFIOSEL = 1. The postscaler (IRCF<2:0>), in this mode, provides the frequency range of 31 kHz to 500 kHz.

The LF-INTRC can provide only 31 kHz if INTSRC = 0.

The LF-INTRC provides 31 kHz and is enabled if it is selected as the device clock source. The mode is enabled automatically when any of the following is enabled:

- Power-up Timer
- Fail-Safe Clock Monitor
- Watchdog Timer
- Two-Speed Start-up

These features are discussed in greater detail in [Section 28.0 “Special Features of the CPU”](#).

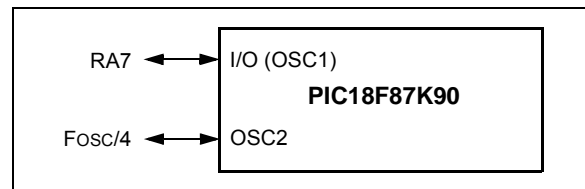
The clock source frequency (HF-INTOSC, MF-INTOSC or LF-INTRC direct) is selected by configuring the IRCF bits of the OSCCON register, as well the INTSRC and MFIOSEL bits. The default frequency on device Resets is 8 MHz.

### 3.6.1 INTIO MODES

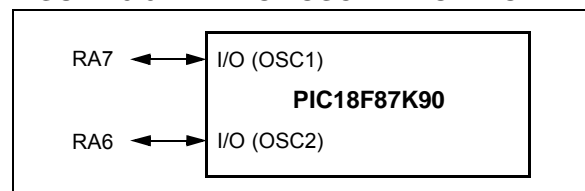
Using the internal oscillator as the clock source eliminates the need for up to two external oscillator pins, which can then be used for digital I/O. Two distinct oscillator configurations, which are determined by the OSC Configuration bits, are available:

- In INTIO1 mode, the OSC2 pin (RA6) outputs Fosc/4, while OSC1 functions as RA7 (see [Figure 3-8](#)) for digital input and output.
- In INTIO2 mode, OSC1 functions as RA7 and OSC2 functions as RA6 (see [Figure 3-9](#)). Both are available as digital input and output ports.

**FIGURE 3-8: INTIO1 OSCILLATOR MODE**



**FIGURE 3-9: INTIO2 OSCILLATOR MODE**



# PIC18F87K90 FAMILY

---

## 3.6.2 INTPLL MODES

The 4x Phase Locked Loop (PLL) can be used with the HF-INTOSC to produce faster device clock speeds than are normally possible with the internal oscillator sources. When enabled, the PLL produces a clock speed of 32 MHz or 64 MHz.

PLL operation is controlled through software. The control bit, PLEN (OSCTUNE<6>) is used to enable or disable its operation. Additionally, the PLL will only function when the selected HF-INTOSC frequency is either 8 MHz or 16 MHz (OSCCON<6:4> = 111 or 110).

Like the INTIO modes, there are two distinct INTPLL modes available:

- In INTPLL1 mode, the OSC2 pin outputs  $F_{osc}/4$ , while OSC1 functions as RA7 for digital input and output. Externally, this is identical in appearance to INTIO1 (Figure 3-8).
- In INTPLL2 mode, OSC1 functions as RA7 and OSC2 functions as RA6, both for digital input and output. Externally, this is identical to INTIO2 (Figure 3-9).

## 3.6.3 INTERNAL OSCILLATOR OUTPUT FREQUENCY AND TUNING

The internal oscillator block is calibrated at the factory to produce an INTOSC output frequency of 16 MHz. It can be adjusted in the user's application by writing to TUN<5:0> (OSCTUNE<5:0>) in the OSCTUNE register (Register 3-3).

When the OSCTUNE register is modified, the INTOSC (HF-INTOSC and MF-INTOSC) frequency will begin shifting to the new frequency. The oscillator will require some time to stabilize. Code execution continues during this shift and there is no indication that the shift has occurred.

The LF-INTOSC oscillator operates independently of the HF-INTOSC or the MF-INTOSC source. Any changes in the HF-INTOSC or the MF-INTOSC source, across voltage and temperature, are not necessarily reflected by changes in LF-INTOSC or vice versa. The frequency of LF-INTOSC is not affected by OSCTUNE.

## 3.6.4 INTOSC FREQUENCY DRIFT

The INTOSC frequency may drift as  $V_{DD}$  or temperature changes and can affect the controller operation in a variety of ways. It is possible to adjust the INTOSC frequency by modifying the value in the OSCTUNE register. Depending on the device, this may have no effect on the LF-INTOSC clock source frequency.

Tuning INTOSC requires knowing when to make the adjustment, in which direction it should be made, and in some cases, how large a change is needed. Three compensation techniques are shown here.

### 3.6.4.1 Compensating with the EUSART

An adjustment may be required when the EUSART begins to generate framing errors or receives data with errors while in Asynchronous mode. Framing errors indicate that the device clock frequency is too high. To adjust for this, decrement the value in OSCTUNE to reduce the clock frequency. On the other hand, errors in data may suggest that the clock speed is too low. To compensate, increment OSCTUNE to increase the clock frequency.

### 3.6.4.2 Compensating with the Timers

This technique compares device clock speed to some reference clock. Two timers may be used; one timer is clocked by the peripheral clock, while the other is clocked by a fixed reference source, such as the SOSC oscillator.

Both timers are cleared, but the timer clocked by the reference source generates interrupts. When an interrupt occurs, the internally clocked timer is read and both timers are cleared. If the internally clocked timer value is much greater than expected, then the internal oscillator block is running too fast. To adjust for this, decrement the OSCTUNE register.

### 3.6.4.3 Compensating with the CCP Module in Capture Mode

A CCP module can use free-running Timer1 (or Timer3), clocked by the internal oscillator block and an external event with a known period (i.e., AC power frequency). The time of the first event is captured in the CCPRxH:CCPRxL registers and is recorded for use later. When the second event causes a capture, the time of the first event is subtracted from the time of the second event. Since the period of the external event is known, the time difference between events can be calculated.

If the measured time is much greater than the calculated time, the internal oscillator block is running too fast. To compensate, decrement the OSCTUNE register. If the measured time is much less than the calculated time, the internal oscillator block is running too slow. To compensate, increment the OSCTUNE register.

# PIC18F87K90 FAMILY

## 3.7 Reference Clock Output

In addition to the FOSC/4 clock output in certain oscillator modes, the device clock in the PIC18F87K90 family can also be configured to provide a reference clock output signal to a port pin. This feature is available in all oscillator configurations and allows the user to select a greater range of clock submultiples to drive external devices in the application.

This reference clock output is controlled by the REFOCON register (Register 3-4). Setting the ROON bit (REFOCON<7>) makes the clock signal available on the REFO (RE3) pin. The RODIV<3:0> bits enable the selection of 16 different clock divider options.

The ROSSLP and ROSEL bits (REFOCON<5:4>) control the availability of the reference output during Sleep mode. The ROSEL bit determines if the oscillator on OSC1 and OSC2, or the current system clock source, is used for the reference clock output. The ROSSLP bit determines if the reference source is available on RE3 when the device is in Sleep mode.

To use the reference clock output in Sleep mode, both the ROSSLP and ROSEL bits must be set. The device clock must also be configured for an EC or HS mode; otherwise, the oscillator on OSC1 and OSC2 will be powered down when the device enters Sleep mode.

Clearing the ROSEL bit allows the reference output frequency to change as the system clock changes during any clock switches.

**REGISTER 3-4: REFOCON: REFERENCE OSCILLATOR CONTROL REGISTER**

|       |     |        |                      |        |        |        |        |
|-------|-----|--------|----------------------|--------|--------|--------|--------|
| R/W-0 | U-0 | R/W-0  | R/W-0                | R/W-0  | R/W-0  | R/W-0  | R/W-0  |
| ROON  | —   | ROSSLP | ROSEL <sup>(1)</sup> | RODIV3 | RODIV2 | RODIV1 | RODIV0 |
| bit 7 |     |        |                      |        |        |        | bit 0  |

**Legend:**

|                   |                  |  |
|-------------------|------------------|--|
| R = Readable bit  | W = Writable bit | U = Unimplemented bit, read as '0'           |
| -n = Value at POR | '1' = Bit is set | '0' = Bit is cleared      x = Bit is unknown |

- bit 7      **ROON:** Reference Oscillator Output Enable bit  
           1 = Reference oscillator output is available on REFO pin  
           0 = Reference oscillator output is disabled
- bit 6      **Unimplemented:** Read as '0'
- bit 5      **ROSSLP:** Reference Oscillator Output Stop in Sleep bit  
           1 = Reference oscillator continues to run in Sleep  
           0 = Reference oscillator is disabled in Sleep
- bit 4      **ROSEL:** Reference Oscillator Source Select bit<sup>(1)</sup>  
           1 = Primary oscillator (EC or HS) is used as the base clock  
           0 = System clock is used as the base clock; base clock reflects any clock switching of the device
- bit 3-0    **RODIV<3:0>:** Reference Oscillator Divisor Select bits  
           1111 = Base clock value divided by 32,768  
           1110 = Base clock value divided by 16,384  
           1101 = Base clock value divided by 8,192  
           1100 = Base clock value divided by 4,096  
           1011 = Base clock value divided by 2,048  
           1010 = Base clock value divided by 1,024  
           1001 = Base clock value divided by 512  
           1000 = Base clock value divided by 256  
           0111 = Base clock value divided by 128  
           0110 = Base clock value divided by 64  
           0101 = Base clock value divided by 32  
           0100 = Base clock value divided by 16  
           0011 = Base clock value divided by 8  
           0010 = Base clock value divided by 4  
           0001 = Base clock value divided by 2  
           0000 = Base clock value

**Note 1:** For ROSEL (REFOCON<4>), the primary oscillator is only available when configured as a default via the FOSC settings (regardless of whether the device is in Sleep mode).

# PIC18F87K90 FAMILY

## 3.8 Effects of Power-Managed Modes on the Various Clock Sources

When PRI\_IDLE mode is selected, the designated primary oscillator continues to run without interruption. For all other power-managed modes, the oscillator using the OSC1 pin is disabled. The OSC1 pin (and OSC2 pin if used by the oscillator) will stop oscillating.

In secondary clock modes (SEC\_RUN and SEC\_IDLE), the SOSC oscillator is operating and providing the device clock. The SOSC oscillator may also run in all power-managed modes if required to clock SOSC.

In RC\_RUN and RC\_IDLE modes, the internal oscillator provides the device clock source. The 31 kHz LF-INTOSC output can be used directly to provide the clock and may be enabled to support various special features, regardless of the power-managed mode (see [Section 28.2 “Watchdog Timer \(WDT\)”](#) through [Section 28.5 “Fail-Safe Clock Monitor”](#) for more information on WDT, Fail-Safe Clock Monitor and Two-Speed Start-up).

If the Sleep mode is selected, all clock sources are stopped. Since all the transistor switching currents have been stopped, Sleep mode achieves the lowest current consumption of the device (only leakage currents).

Enabling any on-chip feature that will operate during Sleep will increase the current consumed during Sleep. The INTOSC is required to support WDT operation. The SOSC oscillator may be operating to support a

Real-Time Clock (RTC). Other features may be operating that do not require a device clock source (i.e., MSSP slave, INTx pins and others). Peripherals that may add significant current consumption are listed in [Section 31.2 “DC Characteristics: Power-Down and Supply Current PIC18F87K90 Family \(Industrial/Extended\)”](#).

## 3.9 Power-up Delays

Power-up delays are controlled by two timers, so that no external Reset circuitry is required for most applications. The delays ensure that the device is kept in Reset until the device power supply is stable under normal circumstances and the primary clock is operating and stable. For additional information on power-up delays, see [Section 5.6 “Power-up Timer \(PWRT\)”](#).

The first timer is the Power-up Timer (PWRT), which provides a fixed delay on a power-up time of about 64 ms (Parameter 33, [Table 31-10](#)); it is always enabled.

The second timer is the Oscillator Start-up Timer (OST), intended to keep the chip in Reset until the crystal oscillator is stable (HS, XT or LP modes). The OST does this by counting 1,024 oscillator cycles before allowing the oscillator to clock the device.

There is a delay of interval, TcSD (Parameter 38, [Table 31-10](#)), following POR, while the controller becomes ready to execute instructions.

**TABLE 3-4: OSC1 AND OSC2 PIN STATES IN SLEEP MODE**

| Oscillator Mode   | OSC1 Pin   | OSC2 Pin   |
|-------------------|--|--|
| EC, ECPLL         | Floating, pulled by external clock                       | At logic low (clock/4 output)                            |
| HS, HSPLL         | Feedback inverter is disabled at quiescent voltage level | Feedback inverter is disabled at quiescent voltage level |
| INTOSC, INTPLL1/2 | I/O pin, RA6, direction is controlled by TRISA<6>        | I/O pin, RA6, direction is controlled by TRISA<7>        |

**Note:** See [Section 5.0 “Reset”](#) for time-outs due to Sleep and MCLR Reset.

## 4.0 POWER-MANAGED MODES

The PIC18F87K90 family of devices offers a total of seven operating modes for more efficient power management. These modes provide a variety of options for selective power conservation in applications where resources may be limited (such as battery-powered devices).

There are three categories of power-managed modes:

- Run modes
- Idle modes
- Sleep mode

There is an Ultra Low-Power Wake-up (ULPWU) for waking from the Sleep mode.

These categories define which portions of the device are clocked, and sometimes, at what speed. The Run and Idle modes may use any of the three available clock sources (primary, secondary or internal oscillator block). The Sleep mode does not use a clock source.

The ULPWU mode, on the RA0 pin, enables a slow falling voltage to generate a wake-up, even from Sleep, without excess current consumption. (See [Section 4.7 “Ultra Low-Power Wake-up”](#).)

The power-managed modes include several power-saving features offered on previous PIC® devices. One is the clock switching feature, offered in other PIC18 devices. This feature allows the controller to use the SOSC oscillator instead of the primary one. Another power-saving feature is Sleep mode, offered by all PIC devices, where all device clocks are stopped.

### 4.1 Selecting Power-Managed Modes

Selecting a power-managed mode requires two decisions:

- Will the CPU be clocked or not
- What will be the clock source

The IDLEN bit (OSCCON<7>) controls CPU clocking, while the SCS<1:0> bits (OSCCON<1:0>) select the clock source. The individual modes, bit settings, clock sources and affected modules are summarized in [Table 4-1](#).

#### 4.1.1 CLOCK SOURCES

The SCS<1:0> bits select one of three clock sources for power-managed modes. Those sources are:

- The primary clock, as defined by the OSC<3:0> Configuration bits
- The secondary clock (the SOSC oscillator)
- The internal oscillator block (for LF-INTOSC modes)

#### 4.1.2 ENTERING POWER-MANAGED MODES

Switching from one power-managed mode to another begins by loading the OSCCON register. The SCS<1:0> bits select the clock source and determine which Run or Idle mode is used. Changing these bits causes an immediate switch to the new clock source, assuming that it is running. The switch may also be subject to clock transition delays. These considerations are discussed in [Section 4.1.3 “Clock Transitions and Status Indicators”](#) and subsequent sections.

Entering the power-managed Idle or Sleep modes is triggered by the execution of a SLEEP instruction. The actual mode that results depends on the status of the IDLEN bit.

Depending on the current and impending mode, a change to a power-managed mode does not always require setting all of the previously discussed bits. Many transitions can be done by changing the oscillator select bits, or changing the IDLEN bit, prior to issuing a SLEEP instruction. If the IDLEN bit is already configured as desired, it may only be necessary to perform a SLEEP instruction to switch to the desired mode.

**TABLE 4-1: POWER-MANAGED MODES**

| Mode     | OSCCON Bits             |          | Module Clocking |             | Available Clock and Oscillator Source  |
|----------|-------------------------|----------|-----------------|-------------|--|
|          | IDLEN<7> <sup>(1)</sup> | SCS<1:0> | CPU             | Peripherals |  |
| Sleep    | 0                       | N/A      | Off             | Off         | None – All clocks are disabled   |
| PRI_RUN  | N/A                     | 00       | Clocked         | Clocked     | Primary – XT, LP, HS, EC, RC and PLL modes. This is the normal, Full-Power Execution mode. |
| SEC_RUN  | N/A                     | 01       | Clocked         | Clocked     | Secondary – SOSC Oscillator  |
| RC_RUN   | N/A                     | 1x       | Clocked         | Clocked     | Internal oscillator block <sup>(2)</sup>   |
| PRI_IDLE | 1                       | 00       | Off             | Clocked     | Primary – LP, XT, HS, RC, EC   |
| SEC_IDLE | 1                       | 01       | Off             | Clocked     | Secondary – SOSC oscillator  |
| RC_IDLE  | 1                       | 1x       | Off             | Clocked     | Internal oscillator block <sup>(2)</sup>   |

**Note 1:** IDLEN reflects its value when the SLEEP instruction is executed.

**2:** Includes INTOSC (HF-INTOSC and MG-INTOSC) and INTOSC postscaler, as well as the LF-INTOSC source.

# PIC18F87K90 FAMILY

## 4.1.3 CLOCK TRANSITIONS AND STATUS INDICATORS

The length of the transition between clock sources is the sum of two cycles of the old clock source and three to four cycles of the new clock source. This formula assumes that the new clock source is stable. The HF-INTOSC and MF-INTOSC are termed as INTOSC in this chapter.

Three bits indicate the current clock source and its status, as shown in Table 4-2. The three bits are:

- OSTS (OSCCON<3>)
- HFIOFS (OSCCON<2>)
- SOSCRUN (OSCCON2<6>)

**TABLE 4-2: SYSTEM CLOCK INDICATOR**

| Main Clock Source                                | OSTS | HFIOFS or MFIOFS | SOSCRUN |
|--|------|------------------|---------|
| Primary Oscillator                               | 1    | 0                | 0       |
| INTOSC (HF-INTOSC or MF-INTOSC)                  | 0    | 1                | 0       |
| Secondary Oscillator                             | 0    | 0                | 1       |
| MF-INTOSC or HF-INTOSC as Primary Clock Source   | 1    | 1                | 0       |
| LF-INTOSC is Running or INTOSC is Not Yet Stable | 0    | 0                | 0       |

When the OSTS bit is set, the primary clock is providing the device clock. When the HFIOFS or MFIOFS bit is set, the INTOSC output is providing a stable clock source to a divider that actually drives the device clock. When the SOSCRUN bit is set, the SOSC oscillator is providing the clock. If none of these bits are set, either the LF-INTOSC clock source is clocking the device or the INTOSC source is not yet stable.

If the internal oscillator block is configured as the primary clock source by the OSC<3:0> Configuration bits (CONFIG1H<3:0>), then the OSTS and HFIOFS or MFIOFS bits can be set when in PRI\_RUN or PRI\_IDLE modes. This indicates that the primary clock (INTOSC output) is generating a stable output. Entering another INTOSC power-managed mode at the same frequency would clear the OSTS bit.

- Note 1:** Caution should be used when modifying a single IRCF bit. At a lower VDD, it is possible to select a higher clock speed than is supportable by that VDD. Improper device operation may result if the VDD/Fosc specifications are violated.
- 2:** Executing a SLEEP instruction does not necessarily place the device into Sleep mode. It acts as the trigger to place the controller into either the Sleep mode or one of the Idle modes, depending on the setting of the IDLEN bit.

## 4.1.4 MULTIPLE SLEEP COMMANDS

The power-managed mode that is invoked with the SLEEP instruction is determined by the setting of the IDLEN bit at the time the instruction is executed. If another SLEEP instruction is executed, the device will enter the power-managed mode specified by IDLEN at that time. If IDLEN has changed, the device will enter the new power-managed mode specified by the new setting.

## 4.2 Run Modes

In the Run modes, clocks to both the core and peripherals are active. The difference between these modes is the clock source.

### 4.2.1 PRI\_RUN MODE

The PRI\_RUN mode is the normal, Full-Power Execution mode of the microcontroller. This is also the default mode upon a device Reset, unless Two-Speed Start-up is enabled. (For details, see Section 28.4 “Two-Speed Start-up”.) In this mode, the OSTS bit is set. The HFIOFS or MFIOFS bit may be set if the internal oscillator block is the primary clock source. (See Section 3.2 “Control Registers”.)

### 4.2.2 SEC\_RUN MODE

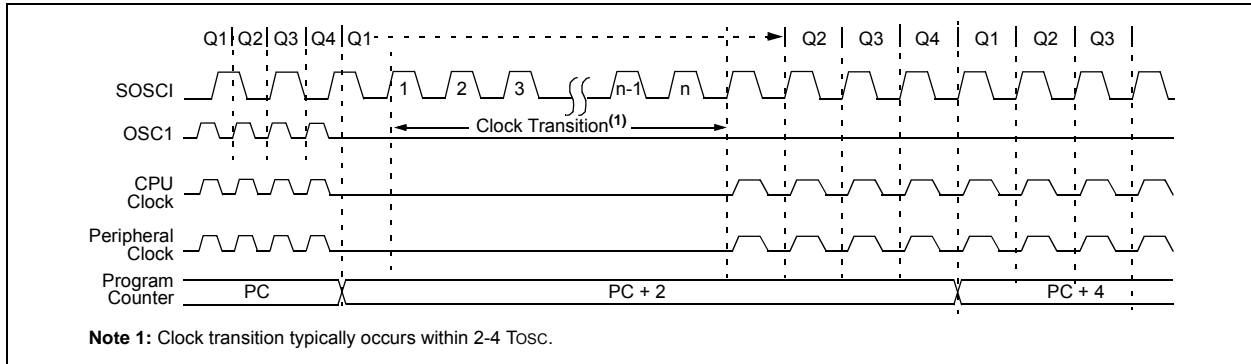
The SEC\_RUN mode is the compatible mode to the “clock-switching” feature offered in other PIC18 devices. In this mode, the CPU and peripherals are clocked from the SOSC oscillator. This enables lower power consumption while retaining a high-accuracy clock source.

SEC\_RUN mode is entered by setting the SCS<1:0> bits to ‘01’. The device clock source is switched to the SOSC oscillator (see Figure 4-1), the primary oscillator is shut down, the SOSCRUN bit (OSCCON2<6>) is set and the OSTS bit is cleared.

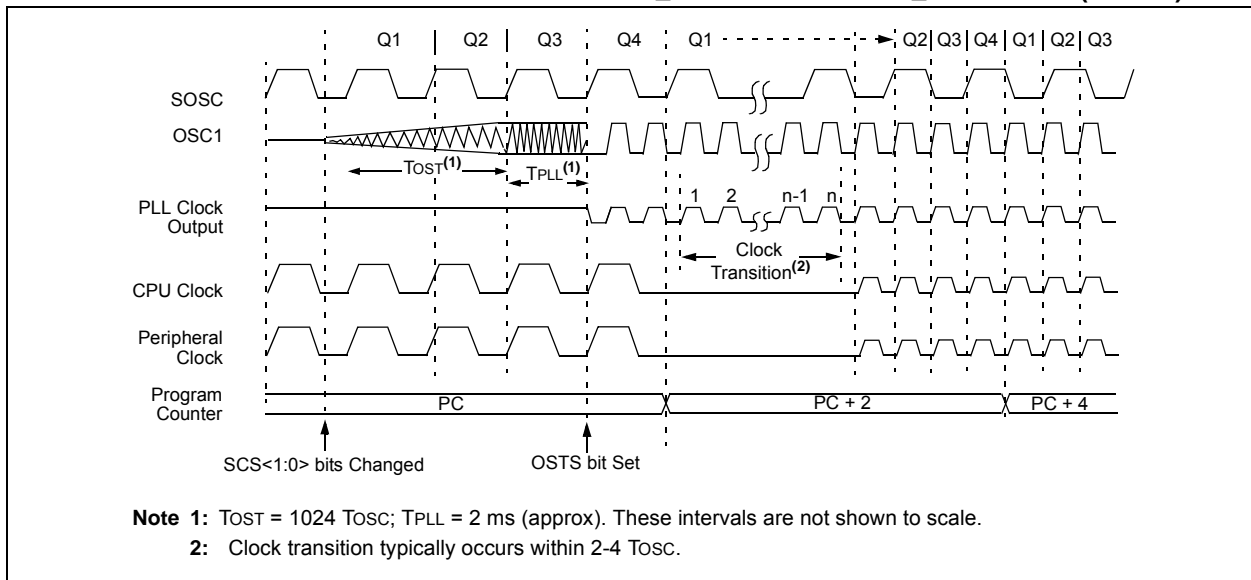
**Note:** The SOSC oscillator can be enabled by setting the SOSCGO bit (OSCCON2<3>). If this bit is set, the clock switch to the SEC\_RUN mode can switch immediately once SCS<1:0> are set to ‘01’.

On transitions from SEC\_RUN mode to PRI\_RUN mode, the peripherals and CPU continue to be clocked from the SOSC oscillator while the primary clock is started. When the primary clock becomes ready, a clock switch back to the primary clock occurs (see Figure 4-2). When the clock switch is complete, the SOSCRUN bit is cleared, the OSTS bit is set and the primary clock is providing the clock. The IDLEN and SCS bits are not affected by the wake-up and the SOSC oscillator continues to run.

**FIGURE 4-1: TRANSITION TIMING FOR ENTRY TO SEC\_RUN MODE**



**FIGURE 4-2: TRANSITION TIMING FROM SEC\_RUN MODE TO PRI\_RUN MODE (HSPLL)**



### 4.2.3 RC\_RUN MODE

In RC\_RUN mode, the CPU and peripherals are clocked from the internal oscillator block using the INTOSC multiplexer. In this mode, the primary clock is shut down. When using the LF-INTOSC source, this mode provides the best power conservation of all the Run modes, while still executing code. It works well for user applications which are not highly timing-sensitive or do not require high-speed clocks at all times.

If the primary clock source is the internal oscillator block – either LF-INTOSC or INTOSC (MF-INTOSC or HF-INTOSC) – there are no distinguishable differences between the PRI\_RUN and RC\_RUN modes during execution. Entering or exiting RC\_RUN mode, however, causes a clock switch delay. Therefore, if the primary clock source is the internal oscillator block, using RC\_RUN mode is not recommended.

This mode is entered by setting the SCS1 bit to '1'. To maintain software compatibility with future devices, it is recommended that the SCS0 bit also be cleared, even though the bit is ignored. When the clock source is switched to the INTOSC multiplexer (see Figure 4-3), the primary oscillator is shut down and the OSTS bit is cleared. The IRCF bits may be modified at any time to immediately change the clock speed.

**Note:** Caution should be used when modifying a single IRCF bit. At a lower VDD, it is possible to select a higher clock speed than is supportable by that VDD. Improper device operation may result if the VDD/Fosc specifications are violated.

# PIC18F87K90 FAMILY

If the IRCF bits and the INTSRC bit are all clear, the INTOSC output (HF-INTOSC/MF-INTOSC) is not enabled, and the HFIOFS and MFIOFS bits will remain clear. There will be no indication of the current clock source. The LF-INTOSC source is providing the device clocks.

If the IRCF bits are changed from all clear (thus, enabling the INTOSC output) or if INTSRC or MFIOSEL is set, the HFIOFS or MFIOFS bit is set after the INTOSC output becomes stable. For details, see [Table 4-3](#).

**TABLE 4-3: INTERNAL OSCILLATOR FREQUENCY STABILITY BITS**

| IRCF<2:0> | INTSRC | MFIOSEL | Status of MFIOFS or HFIOFS when INTOSC is Stable     |
|-----------|--------|---------|--|
| 000       | 0      | x       | MFIOFS = 0, HFIOFS = 0 and clock source is LF-INTOSC |
| 000       | 1      | 0       | MFIOFS = 0, HFIOFS = 1 and clock source is HF-INTOSC |
| 000       | 1      | 1       | MFIOFS = 1, HFIOFS = 0 and clock source is MF-INTOSC |
| Non-Zero  | x      | 0       | MFIOFS = 0, HFIOFS = 1 and clock source is HF-INTOSC |
| Non-Zero  | x      | 1       | MFIOFS = 1, HFIOFS = 0 and clock source is MF-INTOSC |

Clocks to the device continue while the INTOSC source stabilizes after an interval of TIOBST (Parameter [39](#), [Table 31-10](#)).

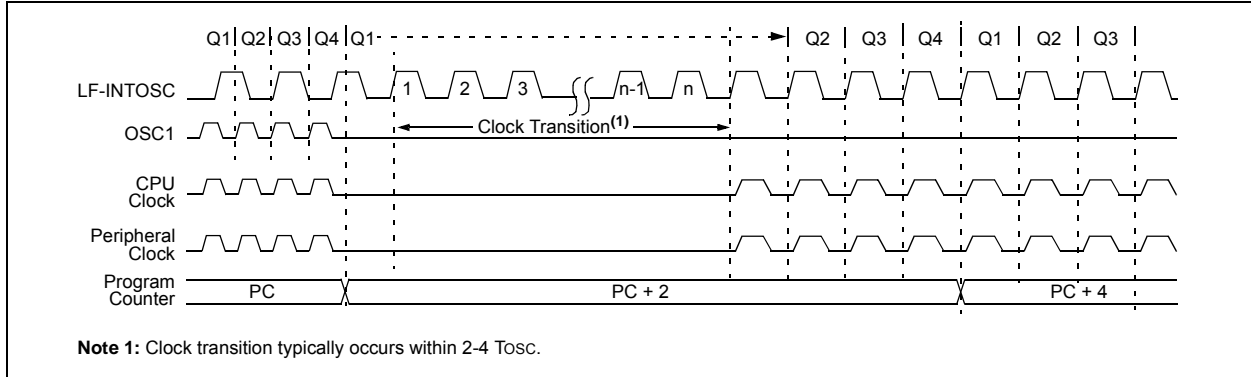
If the IRCF bits were previously at a non-zero value, or if INTSRC was set before setting SCS1, and the INTOSC source was already stable, the HFIOFS or MFIOFS bit will remain set.

On transitions from RC\_RUN mode to PRI\_RUN mode, the device continues to be clocked from the INTOSC multiplexer while the primary clock is started. When the primary clock becomes ready, a clock switch to the primary clock occurs (see [Figure 4-4](#)). When the clock switch is complete, the HFIOFS or MFIOFS bit is cleared, the OSTS bit is set and the primary clock is providing the device clock. The IDLEN and SCS bits are not affected by the switch. The LF-INTOSC source will continue to run if either the WDT or the Fail-Safe Clock Monitor is enabled.

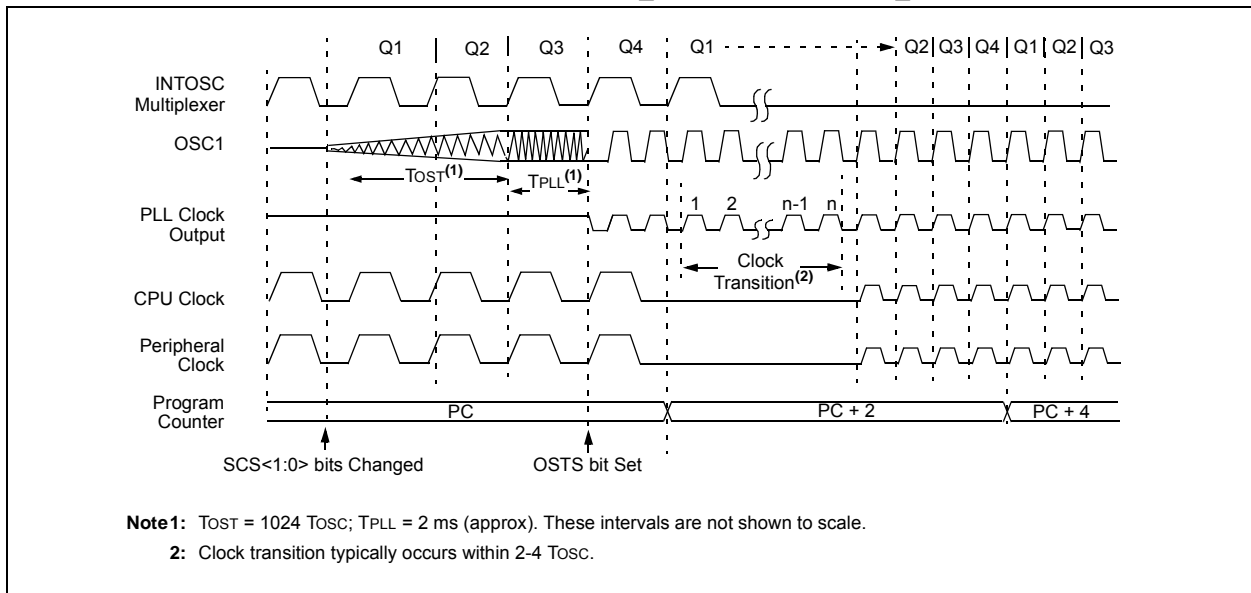


# PIC18F87K90 FAMILY

**FIGURE 4-3: TRANSITION TIMING TO RC\_RUN MODE**



**FIGURE 4-4: TRANSITION TIMING FROM RC\_RUN MODE TO PRI\_RUN MODE**



# PIC18F87K90 FAMILY

## 4.3 Sleep Mode

The power-managed Sleep mode in the PIC18F87K90 family of devices is identical to the legacy Sleep mode offered in all other PIC devices. It is entered by clearing the IDLEN bit (the default state on device Reset) and executing the SLEEP instruction. This shuts down the selected oscillator (Figure 4-5). All clock source status bits are cleared.

Entering Sleep mode from any other mode does not require a clock switch. This is because no clocks are needed once the controller has entered Sleep. If the WDT is selected, the LF-INTOSC source will continue to operate. If the SOSC oscillator is enabled, it will also continue to run.

When a wake event occurs in Sleep mode (by interrupt, Reset or WDT time-out), the device will not be clocked until the clock source selected by the SCS<1:0> bits becomes ready (see Figure 4-6). Alternately, the device will be clocked from the internal oscillator block if either the Two-Speed Start-up or the Fail-Safe Clock Monitor is enabled (see Section 28.0 “Special Features of the CPU”). In either case, the OSTS bit is set when the primary clock is providing the device clocks. The IDLEN and SCS bits are not affected by the wake-up.

## 4.4 Idle Modes

The Idle modes allow the controller’s CPU to be selectively shut down while the peripherals continue to operate. Selecting a particular Idle mode allows users to further manage power consumption.

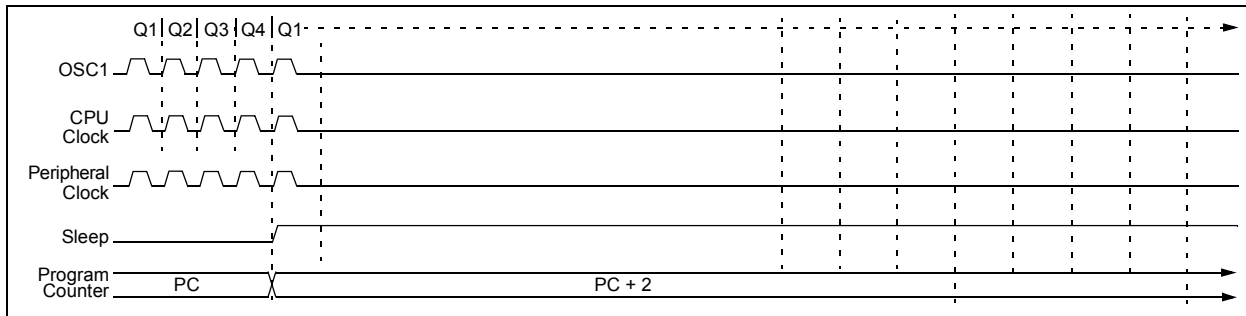
If the IDLEN bit is set to a ‘1’ when a SLEEP instruction is executed, the peripherals will be clocked from the clock source selected using the SCS<1:0> bits. The CPU, however, will not be clocked. The clock source status bits are not affected. This approach is a quick method to switch from a given Run mode to its corresponding Idle mode.

If the WDT is selected, the LF-INTOSC source will continue to operate. If the SOSC oscillator is enabled, it will also continue to run.

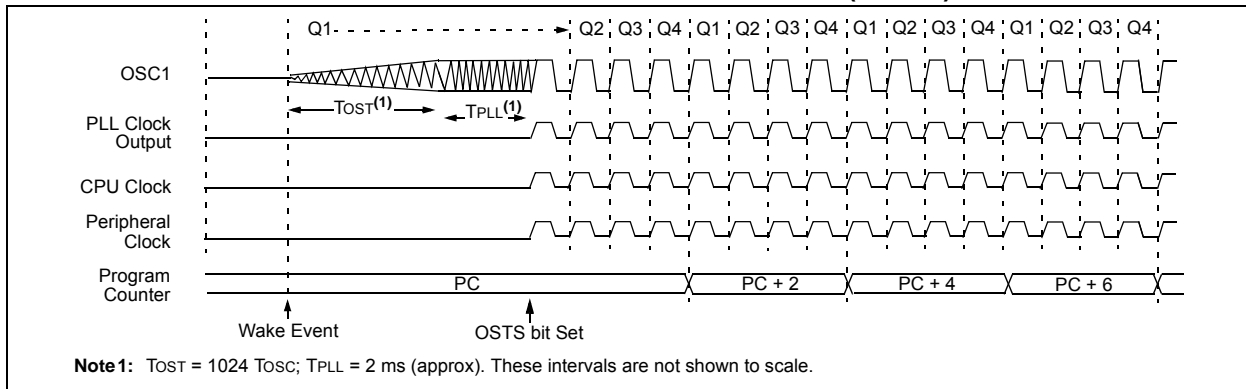
Since the CPU is not executing instructions, the only exits from any of the Idle modes are by interrupt, WDT time-out or a Reset. When a wake event occurs, CPU execution is delayed by an interval of T<sub>CSD</sub> (Parameter 38, Table 31-10) while it becomes ready to execute code. When the CPU begins executing code, it resumes with the same clock source for the current Idle mode. For example, when waking from RC\_IDLE mode, the internal oscillator block will clock the CPU and peripherals (in other words, RC\_RUN mode). The IDLEN and SCS bits are not affected by the wake-up.

While in any Idle mode or Sleep mode, a WDT time-out will result in a WDT wake-up to the Run mode currently specified by the SCS<1:0> bits.

**FIGURE 4-5: TRANSITION TIMING FOR ENTRY TO SLEEP MODE**



**FIGURE 4-6: TRANSITION TIMING FOR WAKE FROM SLEEP (HSPLL)**



**Note 1:** T<sub>OST</sub> = 1024 T<sub>OSC</sub>; T<sub>PLL</sub> = 2 ms (approx). These intervals are not shown to scale.

## 4.4.1 PRI\_IDLE MODE

This mode is unique among the three low-power Idle modes, in that it does not disable the primary device clock. For timing-sensitive applications, this allows for the fastest resumption of device operation with its more accurate, primary clock source, since the clock source does not have to “warm-up” or transition from another oscillator.

PRI\_IDLE mode is entered from PRI\_RUN mode by setting the IDLEN bit and executing a `SLEEP` instruction. If the device is in another Run mode, set IDLEN first, then clear the SCS bits and execute `SLEEP`. Although the CPU is disabled, the peripherals continue to be clocked from the primary clock source specified by the OSC<3:0> Configuration bits. The OSTS bit remains set (see Figure 4-7).

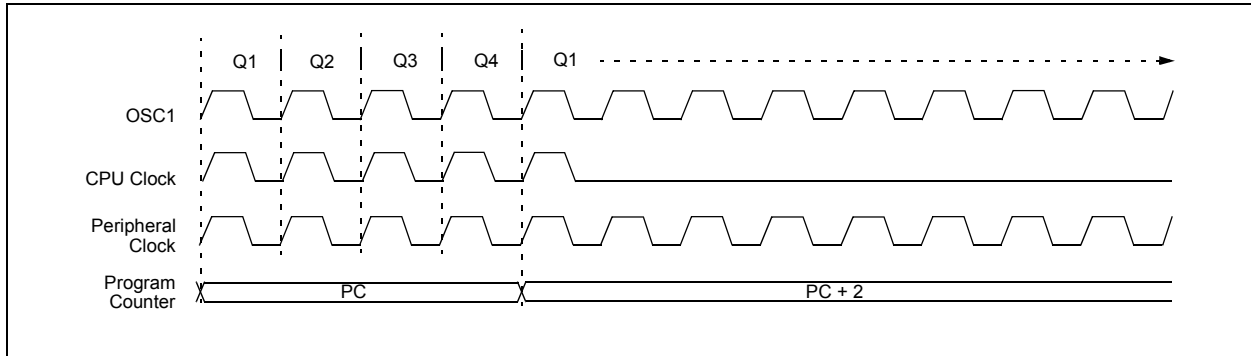
When a wake event occurs, the CPU is clocked from the primary clock source. A delay of interval,  $T_{CSD}$  (Parameter 39, Table 31-10), is required between the wake event and the start of code execution. This is required to allow the CPU to become ready to execute instructions. After the wake-up, the OSTS bit remains set. The IDLEN and SCS bits are not affected by the wake-up (see Figure 4-8).

## 4.4.2 SEC\_IDLE MODE

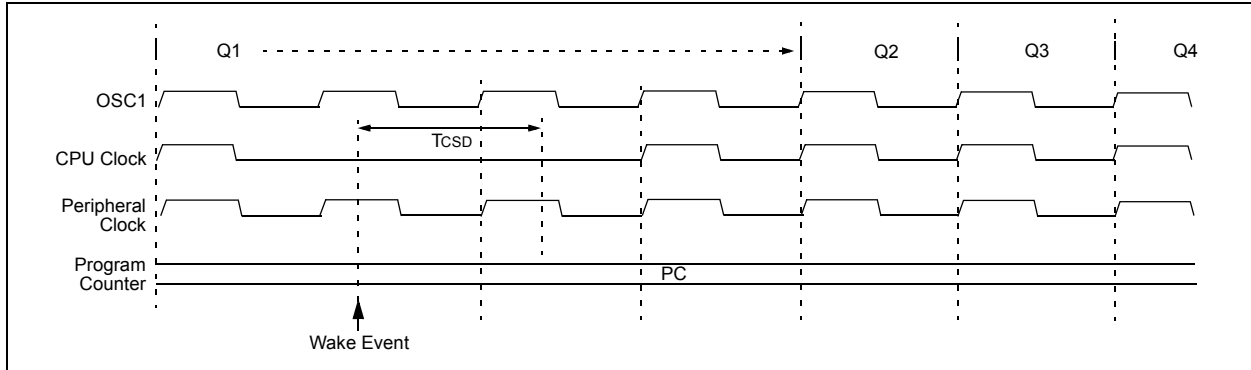
In SEC\_IDLE mode, the CPU is disabled but the peripherals continue to be clocked from the SOSC oscillator. This mode is entered from SEC\_RUN by setting the IDLEN bit and executing a `SLEEP` instruction. If the device is in another Run mode, set the IDLEN bit first, then set the SCS<1:0> bits to '01' and execute `SLEEP`. When the clock source is switched to the SOSC oscillator, the primary oscillator is shut down, the OSTS bit is cleared and the SOSCRUN bit is set.

When a wake event occurs, the peripherals continue to be clocked from the SOSC oscillator. After an interval of  $T_{CSD}$  following the wake event, the CPU begins executing code being clocked by the SOSC oscillator. The IDLEN and SCS bits are not affected by the wake-up and the SOSC oscillator continues to run (see Figure 4-8).

**FIGURE 4-7: TRANSITION TIMING FOR ENTRY TO IDLE MODE**



**FIGURE 4-8: TRANSITION TIMING FOR WAKE FROM IDLE TO RUN MODE**



# PIC18F87K90 FAMILY

---

## 4.4.3 RC\_IDLE MODE

In RC\_IDLE mode, the CPU is disabled but the peripherals continue to be clocked from the internal oscillator block using the INTOSC multiplexer. This mode provides controllable power conservation during Idle periods.

From RC\_RUN, this mode is entered by setting the IDLEN bit and executing a SLEEP instruction. If the device is in another Run mode, first set IDLEN, then set the SCS1 bit and execute SLEEP. To maintain software compatibility with future devices, it is recommended that SCS0 also be cleared, though its value is ignored. The INTOSC multiplexer may be used to select a higher clock frequency by modifying the IRCF bits before executing the SLEEP instruction. When the clock source is switched to the INTOSC multiplexer, the primary oscillator is shut down and the OSTS bit is cleared.

If the IRCF bits are set to any non-zero value, or the INTSRC/MFIOSEL bit is set, the INTOSC output is enabled. The HFIOFS/MFIOFS bits become set, after the INTOSC output becomes stable after an interval of TIOBST (Parameter 38, Table 31-10). (For information on the HFIOFS/MFIOFS bits, see Table 4-3.)

Clocks to the peripherals continue while the INTOSC source stabilizes. The HFIOFS/MFIOFS bits will remain set if the IRCF bits were previously at a non-zero value or if INTSRC was set before the SLEEP instruction was executed and the INTOSC source was already stable. If the IRCF bits and INTSRC are all clear, the INTOSC output will not be enabled, the HFIOFS/MFIOFS bits will remain clear and there will be no indication of the current clock source.

When a wake event occurs, the peripherals continue to be clocked from the INTOSC multiplexer. After a delay of TcSD (Parameter 38, Table 31-10), following the wake event, the CPU begins executing code clocked by the INTOSC multiplexer. The IDLEN and SCS bits are not affected by the wake-up. The INTRC source will continue to run if either the WDT or the Fail-Safe Clock Monitor is enabled.

## 4.5 Selective Peripheral Module Control

Idle mode allows users to substantially reduce power consumption by stopping the CPU clock. Even so, peripheral modules still remain clocked, and thus, consume power. There may be cases where the application needs what this mode does not provide: the allocation of power resources to the CPU, processing with minimal power consumption from the peripherals.

PIC18F87K90 family devices address this requirement by allowing peripheral modules to be selectively disabled, reducing or eliminating their power consumption. This can be done with two control bits:

- Peripheral Enable bit, generically named XXXEN – Located in the respective module's main control register
- Peripheral Module Disable (PMD) bit, generically named XXXMD – Located in one of the PMD<sub>x</sub> Control registers (PMD0, PMD1, PMD2 or PMD3)

Disabling a module by clearing its XXXEN bit disables the module's functionality, but leaves its registers available to be read and written to. This reduces power consumption, but not by as much as the second approach.

Most peripheral modules have an enable bit.

In contrast, setting the PMD bit for a module disables all clock sources to that module, reducing its power consumption to an absolute minimum. In this state, the control and status registers associated with the peripheral are also disabled, so writes to those registers have no effect and read values are invalid. Many peripheral modules have a corresponding PMD bit.

There are four PMD registers in the PIC18F87K90 family devices: PMD0, PMD1, PMD2 and PMD3. These registers have bits associated with each module for disabling or enabling a particular peripheral.

# PIC18F87K90 FAMILY

## REGISTER 4-1: PMD3: PERIPHERAL MODULE DISABLE REGISTER 3

| R/W-0                  | R/W-0                 | R/W-0  | R/W-0  | R/W-0  | R/W-0  | R/W-0  | R/W-0                  |
|------------------------|-----------------------|--------|--------|--------|--------|--------|------------------------|
| CCP10MD <sup>(1)</sup> | CCP9MD <sup>(1)</sup> | CCP8MD | CCP7MD | CCP6MD | CCP5MD | CCP4MD | TMR12MD <sup>(1)</sup> |
| bit 7                  |                       |        |        |        |        |        | bit 0                  |

### Legend:

|                   |                  |                                    |
|-------------------|------------------|------------------------------------|
| R = Readable bit  | W = Writable bit | U = Unimplemented bit, read as '0' |
| -n = Value at POR | '1' = Bit is set | '0' = Bit is cleared               |
|                   |                  | x = Bit is unknown                 |

- bit 7      **CCP10MD:** PMD CCP10 Enable/Disable bit<sup>(1)</sup>  
 1 = Peripheral Module Disable (PMD) is enabled for CCP10, disabling all of its clock sources  
 0 = PMD is disabled for CCP10
- bit 6      **CCP9MD:** PMD CCP9 Enable/Disable bit<sup>(1)</sup>  
 1 = Peripheral Module Disable (PMD) is enabled for CCP9, disabling all of its clock sources  
 0 = PMD is disabled for CCP9
- bit 5      **CCP8MD:** PMD CCP8 Enable/Disable bit  
 1 = Peripheral Module Disable (PMD) is enabled for CCP8, disabling all of its clock sources  
 0 = PMD is disabled for CCP8
- bit 4      **CCP7MD:** PMD CCP7 Enable/Disable bit  
 1 = Peripheral Module Disable (PMD) is enabled for CCP7, disabling all of its clock sources  
 0 = PMD is disabled for CCP7
- bit 3      **CCP6MD:** PMD CCP6 Enable/Disable bit  
 1 = Peripheral Module Disable (PMD) is enabled for CCP6, disabling all of its clock sources  
 0 = PMD is disabled for CCP6
- bit 2      **CCP5MD:** PMD CCP5 Enable/Disable bit  
 1 = Peripheral Module Disable (PMD) is enabled for CCP5, disabling all of its clock sources  
 0 = PMD is disabled for CCP5
- bit 1      **CCP4MD:** PMD CCP4 Enable/Disable bit  
 1 = Peripheral Module Disable (PMD) is enabled for CCP4, disabling all of its clock sources  
 0 = PMD is disabled for CCP4
- bit 0      **TMR12MD:** TMR12MD Disable bit<sup>(1)</sup>  
 1 = PMD is enabled and all TMR12MD clock sources are disabled  
 0 = PMD is disabled and TMR12MD is enabled

**Note 1:** Unimplemented in devices with a program memory of 32 Kbytes (PIC18FX5K90).

# PIC18F87K90 FAMILY

## REGISTER 4-2: PMD2: PERIPHERAL MODULE DISABLE REGISTER 2

|                        |        |                       |        |        |        |        |        |
|------------------------|--------|-----------------------|--------|--------|--------|--------|--------|
| R/W-0                  | R/W-0  | R/W-0                 | R/W-0  | R/W-0  | R/W-0  | R/W-0  | R/W-0  |
| TMR10MD <sup>(1)</sup> | TMR8MD | TMR7MD <sup>(1)</sup> | TMR6MD | TMR5MD | CMP3MD | CMP2MD | CMP1MD |
| bit 7                  |        |                       |        |        |        |        | bit 0  |

### Legend:

|                   |                  |                                    |
|-------------------|------------------|------------------------------------|
| R = Readable bit  | W = Writable bit | U = Unimplemented bit, read as '0' |
| -n = Value at POR | '1' = Bit is set | '0' = Bit is cleared               |
|                   |                  | x = Bit is unknown                 |

- bit 7      **TMR10MD:** TMR10MD Disable bit<sup>(1)</sup>  
 1 = Peripheral Module Disable (PMD) is enabled and all TMR10MD clock sources are disabled  
 0 = PMD is disabled and TMR10MD is enabled
- bit 6      **TMR8MD:** TMR8MD Disable bit  
 1 = PMD is enabled and all TMR8MD clock sources are disabled  
 0 = PMD is disabled and TMR8MD is enabled
- bit 5      **TMR7MD:** TMR7MD Disable bit<sup>(1)</sup>  
 1 = PMD is enabled and all TMR7MD clock sources are disabled  
 0 = PMD is disabled and TMR7MD is enabled
- bit 4      **TMR6MD:** TMR6MD Disable bit  
 1 = PMD is enabled and all TMR6MD clock sources are disabled  
 0 = PMD is disabled and TMR6MD is enabled
- bit 3      **TMR5MD:** TMR5MD Disable bit  
 1 = PMD is enabled and all TMR5MD clock sources are disabled  
 0 = PMD is disabled and TMR5MD is enabled
- bit 2      **CMP3MD:** PMD Comparator 3 Enable/Disable bit  
 1 = PMD is enabled for Comparator 3, disabling all of its clock sources  
 0 = PMD is disabled for Comparator 3
- bit 1      **CMP2MD:** PMD Comparator 3 Enable/Disable bit  
 1 = PMD is enabled for Comparator 2, disabling all of its clock sources  
 0 = PMD is disabled for Comparator 2
- bit 0      **CMP1MD:** PMD Comparator 3 Enable/Disable bit  
 1 = PMD is enabled for Comparator 1, disabling all of its clock sources  
 0 = PMD is disabled for Comparator 1

**Note 1:** Unimplemented in devices with a program memory of 32 Kbytes (PIC18FX5K90).

# PIC18F87K90 FAMILY

## REGISTER 4-3: PMD1: PERIPHERAL MODULE DISABLE REGISTER 1

| R/W-0 | R/W-0  | R/W-0                 | R/W-0  | R/W-0  | R/W-0  | R/W-0  | R/W-0 |
|-------|--------|-----------------------|--------|--------|--------|--------|-------|
| —     | CTMUMD | RTCCMD <sup>(1)</sup> | TMR4MD | TMR3MD | TMR2MD | TMR1MD | —     |
| bit 7 |        |                       |        |        |        |        | bit 0 |

### Legend:

R = Readable bit

W = Writable bit

U = Unimplemented bit, read as '0'

-n = Value at POR

'1' = Bit is set

'0' = Bit is cleared

x = Bit is unknown

- bit 7      **Unimplemented:** Read as '0'
- bit 6      **CTMUMD:** PMD CTMU Enable/Disable bit  
 1 = Peripheral Module Disable (PMD) is enabled for CMTU, disabling all of its clock sources  
 0 = PMD is disabled for CMTU
- bit 5      **RTCCMD:** PMD RTCC Enable/Disable bit<sup>(1)</sup>  
 1 = PMD is enabled for RTCC, disabling all of its clock sources  
 0 = PMD is disabled for RTCC
- bit 4      **TMR4MD:** TMR4MD Disable bit  
 1 = PMD is enabled and all TMR4MD clock sources are disabled  
 0 = PMD is disabled and TMR4MD is enabled
- bit 3      **TMR3MD:** TMR3MD Disable bit  
 1 = PMD is enabled and all TMR3MD clock sources are disabled  
 0 = PMD is disabled and TMR3MD is enabled
- bit 2      **TMR2MD:** TMR2MD Disable bit  
 1 = PMD is enabled and all TMR2MD clock sources are disabled  
 0 = PMD is disabled and TMR2MD is enabled
- bit 1      **TMR1MD:** TMR1MD Disable bit  
 1 = PMD is enabled and all TMR1MD clock sources are disabled  
 0 = PMD is disabled and TMR1MD is enabled
- bit 0      **Unimplemented:** Read as '0'

**Note 1:** RTCCMD can only be set to '1' after an EECON2 unlock sequence. Refer to [Section 17.0 “Real-Time Clock and Calendar \(RTCC\)”](#) for the unlock sequence (see [Example 17-1](#)).

# PIC18F87K90 FAMILY

## REGISTER 4-4: PMD0: PERIPHERAL MODULE DISABLE REGISTER 0

|        |        |        |         |         |        |        |       |
|--------|--------|--------|---------|---------|--------|--------|-------|
| R/W-0  | R/W-0  | R/W-0  | R/W-0   | R/W-0   | R/W-0  | R/W-0  | R/W-0 |
| CCP3MD | CCP2MD | CCP1MD | UART2MD | UART1MD | SSP2MD | SSP1MD | ADCMD |
| bit 7  |        |        |         |         |        |        | bit 0 |

### Legend:

|                   |                  |  |
|-------------------|------------------|--|
| R = Readable bit  | W = Writable bit | U = Unimplemented bit, read as '0'           |
| -n = Value at POR | '1' = Bit is set | '0' = Bit is cleared      x = Bit is unknown |

- bit 7      **CCP3MD:** PMD ECCP3 Enable/Disable bit  
 1 = Peripheral Module Disable (PMD) is enabled for ECCP3, disabling all of its clock sources  
 0 = PMD is disabled for ECCP3
- bit 6      **CCP2MD:** PMD ECCP2 Enable/Disable bit  
 1 = PMD is enabled for ECCP2, disabling all of its clock sources  
 0 = PMD is disabled for ECCP2
- bit 5      **CCP1MD:** PMD ECCP1 Enable/Disable bit  
 1 = PMD is enabled for ECCP1, disabling all of its clock sources  
 0 = PMD is disabled for ECCP1
- bit 4      **UART2MD:** PMD UART2 Enable/Disable bit  
 1 = PMD is enabled for UART2, disabling all of its clock sources  
 0 = PMD is disabled for UART2
- bit 3      **UART1MD:** PMD UART1 Enable/Disable bit  
 1 = PMD is enabled for UART1, disabling all of its clock sources  
 0 = PMD is disabled for UART1
- bit 2      **SSP2MD:** PMD MSSP2 Enable/Disable bit  
 1 = PMD is enabled for MSSP2, disabling all of its clock sources  
 0 = PMD is disabled for MSSP2
- bit 1      **SSP1MD:** PMD MSSP1 Enable/Disable bit  
 1 = PMD is enabled for MSSP1, disabling all of its clock sources  
 0 = PMD is disabled for MSSP1
- bit 0      **ADCMD:** PMD Analog/Digital Converter PMD Enable/Disable bit  
 1 = PMD is enabled for Analog/Digital Converter, disabling all of its clock sources  
 0 = PMD is disabled for Analog/Digital Converter



## 4.6 Exiting Idle and Sleep Modes

An exit from Sleep mode or any of the Idle modes is triggered by an interrupt, a Reset or a WDT time-out. This section discusses the triggers that cause exits from power-managed modes. The clocking subsystem actions are discussed in each of the power-managed modes (see [Section 4.2 “Run Modes”](#), [Section 4.3 “Sleep Mode”](#) and [Section 4.4 “Idle Modes”](#)).

### 4.6.1 EXIT BY INTERRUPT

Any of the available interrupt sources can cause the device to exit from an Idle or Sleep mode to a Run mode. To enable this functionality, an interrupt source must be enabled by setting its enable bit in one of the INTCONx or PIEx registers. The exit sequence is initiated when the corresponding interrupt flag bit is set.

On all exits from Idle or Sleep modes by interrupt, code execution branches to the interrupt vector if the GIE/GIEH bit (INTCON<7>) is set. Otherwise, code execution continues or resumes without branching (see [Section 10.0 “Interrupts”](#)).

### 4.6.2 EXIT BY WDT TIME-OUT

A WDT time-out will cause different actions depending on which power-managed mode the device is in when the time-out occurs.

If the device is not executing code (all Idle modes and Sleep mode), the time-out will result in an exit from the power-managed mode (see [Section 4.2 “Run Modes”](#) and [Section 4.3 “Sleep Mode”](#)). If the device is executing code (all Run modes), the time-out will result in a WDT Reset (see [Section 28.2 “Watchdog Timer \(WDT\)”](#)).

Executing a SLEEP or CLRWDT instruction clears the WDT timer and postscaler, loses the currently selected clock source (if the Fail-Safe Clock Monitor is enabled) and modifies the IRCF bits in the OSCCON register (if the internal oscillator block is the device clock source).

### 4.6.3 EXIT BY RESET

Normally, the device is held in Reset by the Oscillator Start-up Timer (OST) until the primary clock becomes ready. At that time, the OSTS bit is set and the device begins executing code. If the internal oscillator block is the new clock source, the HFIOFS/MFIOFS bits are set instead.

The exit delay time from Reset to the start of code execution depends on both the clock sources before and after the wake-up, and the type of oscillator if the new clock source is the primary clock. Exit delays are summarized in [Table 4-4](#).

Code execution can begin before the primary clock becomes ready. If either the Two-Speed Start-up (see [Section 28.4 “Two-Speed Start-up”](#)) or Fail-Safe Clock Monitor (see [Section 28.5 “Fail-Safe Clock Monitor”](#)) is enabled, the device may begin execution as soon as the Reset source has cleared. Execution is clocked by the INTOSC multiplexer, driven by the internal oscillator block. Execution is clocked by the internal oscillator block until either the primary clock becomes ready or a power-managed mode is entered before the primary clock becomes ready; the primary clock is then shut down.

### 4.6.4 EXIT WITHOUT AN OSCILLATOR START-UP DELAY

Certain exits from power-managed modes do not invoke the OST at all. The two cases are:

- When in PRI\_IDLE mode, where the primary clock source is not stopped
- When the primary clock source is not any of the LP, XT, HS or HSPLL modes

In these instances, the primary clock source either does not require an oscillator start-up delay, since it is already running (PRI\_IDLE), or normally does not require an oscillator start-up delay (RC, EC and INTIO Oscillator modes). However, a fixed delay of interval, TcSD, following the wake event, is still required when leaving Sleep and Idle modes to allow the CPU to prepare for execution. Instruction execution resumes on the first clock cycle following this delay.

# PIC18F87K90 FAMILY

## 4.7 Ultra Low-Power Wake-up

The Ultra Low-Power Wake-up (ULPWU) on pin, RA0, allows a slow falling voltage to generate an interrupt without excess current consumption.

To use this feature:

1. Charge the capacitor on RA0 by configuring the RA0 pin to an output and setting it to '1'.
2. Stop charging the capacitor by configuring RA0 as an input.
3. Discharge the capacitor by setting the ULPEN and ULPSINK bits in the WDTCON register.
4. Configure Sleep mode.
5. Enter Sleep mode.

When the voltage on RA0 drops below  $V_{IL}$ , the device wakes up and executes the next instruction.

This feature provides a low-power technique for periodically waking up the device from Sleep mode.

The time-out is dependent on the discharge time of the RC circuit on RA0.

When the ULPWU module wakes the device from Sleep mode, the ULPLVL bit (WDTCON<5>) is set. Software can check this bit upon wake-up to determine the wake-up source.

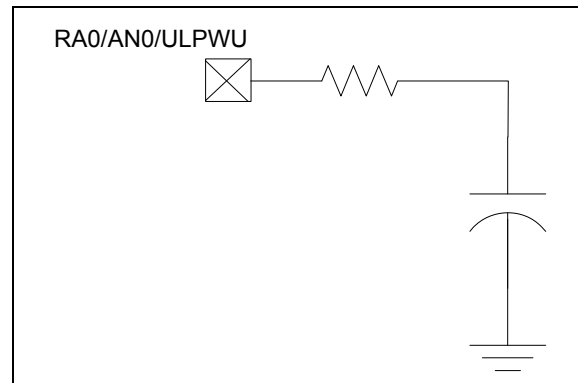
See [Example 4-1](#) for initializing the ULPWU module.

### EXAMPLE 4-1: ULTRA LOW-POWER WAKE-UP INITIALIZATION

```
//*****  
//Charge the capacitor on RA0  
//*****  
TRISAbits.TRISA0 = 0;  
PORTAbits.RA0 = 1;  
for(i = 0; i < 10000; i++) Nop();  
//*****  
//Stop Charging the capacitor  
//on RA0  
//*****  
TRISAbits.TRISA0 = 1;  
//*****  
//Enable the Ultra Low Power  
//Wakeup module and allow  
//capacitor discharge  
//*****  
WDTCONbits.ULPEN = 1;  
WDTCONbits.ULPSINK = 1;  
//For Sleep  
OSCCONbits.IDLEN = 0;  
//Enter Sleep Mode  
//  
Sleep();  
//for sleep, execution will  
//resume here
```

A series resistor, between RA0 and the external capacitor, provides overcurrent protection for the RA0/AN0/ULPWU pin and enables software calibration of the time-out (see [Figure 4-9](#)).

**FIGURE 4-9: ULTRA LOW-POWER WAKE-UP INITIALIZATION**



A timer can be used to measure the charge time and discharge time of the capacitor. The charge time can then be adjusted to provide the desired delay in Sleep. This technique compensates for the affects of temperature, voltage and component accuracy. The peripheral can also be configured as a simple programmable Low-Voltage Detect (LVD) or temperature sensor.

**Note:** For more information, see *AN 879, "Using the Microchip Ultra Low-Power Wake-up Module"* (DS00879).

# PIC18F87K90 FAMILY

**TABLE 4-4: EXIT DELAY ON WAKE-UP BY RESET FROM SLEEP MODE OR ANY IDLE MODE (BY CLOCK SOURCES)**

| Power-Managed Mode | Clock Source <sup>(5)</sup> | Exit Delay                            | Clock Ready Status Bits          |
|--------------------|-----------------------------|---------------------------------------|----------------------------------|
| PRI_IDLE mode      | LP, XT, HS                  | TcSD <sup>(1)</sup>                   | OSTS<br>HFIOFS<br>MFIOFS<br>None |
|                    | HSPLL                       |                                       |                                  |
|                    | EC, RC                      |                                       |                                  |
|                    | HF-INTOSC <sup>(2)</sup>    |                                       |                                  |
|                    | MF-INTOSC <sup>(2)</sup>    |                                       |                                  |
| LF-INTOSC          |                             |                                       |                                  |
| SEC_IDLE mode      | SOSC                        | TcSD <sup>(1)</sup>                   | SOSCRUN                          |
| RC_IDLE mode       | HF-INTOSC <sup>(2)</sup>    | TcSD <sup>(1)</sup>                   | HFIOFS<br>MFIOFS<br>None         |
|                    | MF-INTOSC <sup>(2)</sup>    |                                       |                                  |
|                    | LF-INTOSC                   |                                       |                                  |
| Sleep mode         | LP, XT, HS                  | TOST <sup>(3)</sup>                   | OSTS<br>HFIOFS<br>MFIOFS<br>None |
|                    | HSPLL                       | TOST + t <sub>rc</sub> <sup>(3)</sup> |                                  |
|                    | EC, RC                      | TcSD <sup>(1)</sup>                   |                                  |
|                    | HF-INTOSC <sup>(2)</sup>    | TIOBST <sup>(4)</sup>                 |                                  |
|                    | MF-INTOSC <sup>(2)</sup>    |                                       |                                  |
|                    | LF-INTOSC                   |                                       |                                  |

- Note 1:** TcSD (Parameter 38, Table 31-10) is a required delay when waking from Sleep and all Idle modes, and runs concurrently with any other required delays (see Section 4.4 “Idle Modes”).
- 2:** Includes postscaler derived frequencies. On Reset, INTOSC defaults to HF-INTOSC at 8 MHz.
- 3:** TOST is the Oscillator Start-up Timer (Parameter 32, Table 31-10). TRC is the PLL Lock-out Timer (Parameter F12, Table 31-7); it is also designated as TPLL.
- 4:** Execution continues during TIOBST (Parameter 39, Table 31-10), the INTOSC stabilization period.
- 5:** The clock source is dependent upon the settings of the SCS (OSCCON<1:0>), IRCF (OSCCON<6:4>) and FOSC (CONFIG1H<3:0>) bits.

# PIC18F87K90 FAMILY

---

NOTES:

# PIC18F87K90 FAMILY

## 5.0 RESET

The PIC18F87K90 family of devices differentiates between various kinds of Reset:

- Power-on Reset (POR)
- $\overline{\text{MCLR}}$  Reset during normal operation
- $\overline{\text{MCLR}}$  Reset during power-managed modes
- Watchdog Timer (WDT) Reset (during execution)
- Configuration Mismatch (CM) Reset
- Brown-out Reset (BOR)
- RESET Instruction
- Stack Full Reset
- Stack Underflow Reset

This section discusses Resets generated by  $\overline{\text{MCLR}}$ , POR and BOR, and covers the operation of the various start-up timers. Stack Reset events are covered in [Section 6.1.3.4 “Stack Full and Underflow Resets”](#). WDT Resets are covered in [Section 28.2 “Watchdog Timer \(WDT\)”](#).

A simplified block diagram of the on-chip Reset circuit is shown in [Figure 5-1](#).

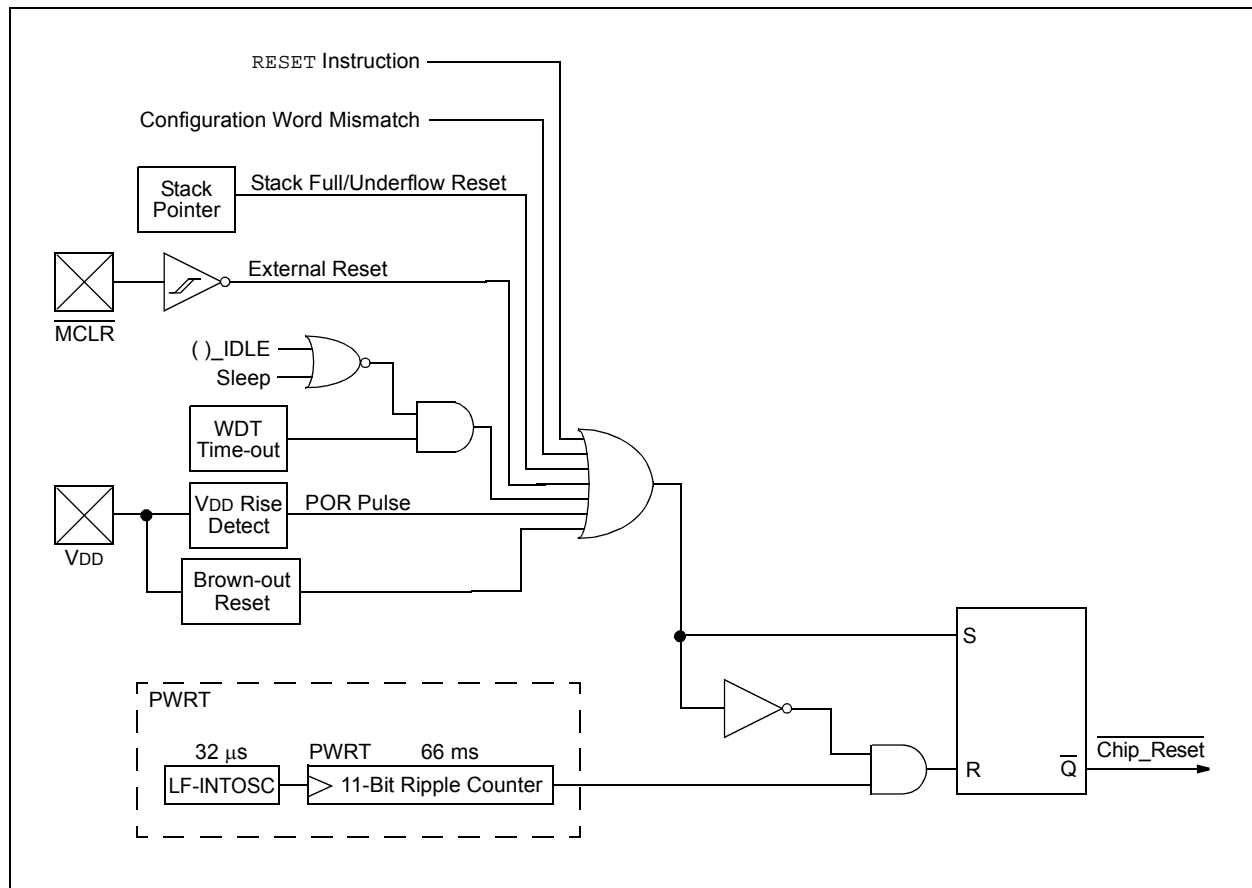
## 5.1 RCON Register

Device Reset events are tracked through the RCON register ([Register 5-1](#)). The lower five bits of the register indicate that a specific Reset event has occurred. In most cases, these bits can only be set by the event and must be cleared by the application after the event.

The state of these flag bits, taken together, can be read to indicate the type of Reset that just occurred. This is described in more detail in [Section 5.7 “Reset State of Registers”](#).

The RCON register also has a control bit for setting interrupt priority (IPEN). Interrupt priority is discussed in [Section 10.0 “Interrupts”](#).

**FIGURE 5-1: SIMPLIFIED BLOCK DIAGRAM OF ON-CHIP RESET CIRCUIT**



# PIC18F87K90 FAMILY

## REGISTER 5-1: RCON: RESET CONTROL REGISTER

| R/W-0 | R/W-1  | R/W-1                  | R/W-1                  | R-1                    | R-1                    | R/W-0                   | R/W-0                   |
|-------|--------|------------------------|------------------------|------------------------|------------------------|-------------------------|-------------------------|
| IPEN  | SBOREN | $\overline{\text{CM}}$ | $\overline{\text{RI}}$ | $\overline{\text{TO}}$ | $\overline{\text{PD}}$ | $\overline{\text{POR}}$ | $\overline{\text{BOR}}$ |
| bit 7 |        |                        |                        |                        |                        |                         | bit 0                   |

### Legend:

R = Readable bit                      W = Writable bit                      U = Unimplemented bit, read as '0'  
 -n = Value at POR                      '1' = Bit is set                      '0' = Bit is cleared                      x = Bit is unknown

- bit 7            **IPEN:** Interrupt Priority Enable bit  
 1 = Enable priority levels on interrupts  
 0 = Disable priority levels on interrupts (PIC16CXXX Compatibility mode)
- bit 6            **SBOREN:** BOR Software Enable bit  
If BOREN<1:0> = 01:  
 1 = BOR is enabled  
 0 = BOR is disabled  
If BOREN<1:0> = 00, 10 or 11:  
 Bit is disabled and read as '0'.
- bit 5            **CM:** Configuration Mismatch Flag bit  
 1 = A Configuration Mismatch Reset has not occurred  
 0 = A Configuration Mismatch Reset has occurred (must be set in software after a Configuration Mismatch Reset occurs)
- bit 4            **RI:** RESET Instruction Flag bit  
 1 = The RESET instruction was not executed (set by firmware only)  
 0 = The RESET instruction was executed, causing a device Reset (must be set in software after a Brown-out Reset occurs)
- bit 3            **TO:** Watchdog Time-out Flag bit  
 1 = Set by power-up, CLRWDT instruction or SLEEP instruction  
 0 = A WDT time-out has occurred
- bit 2            **PD:** Power-Down Detection Flag bit  
 1 = Set by power-up or by the CLRWDT instruction  
 0 = Set by execution of the SLEEP instruction
- bit 1            **POR:** Power-on Reset Status bit  
 1 = A Power-on Reset has not occurred (set by firmware only)  
 0 = A Power-on Reset has occurred (must be set in software after a Power-on Reset occurs)
- bit 0            **BOR:** Brown-out Reset Status bit  
 1 = A Brown-out Reset has not occurred (set by firmware only)  
 0 = A Brown-out Reset has occurred (must be set in software after a Brown-out Reset occurs)

**Note 1:** It is recommended that the  $\overline{\text{POR}}$  bit be set after a Power-on Reset has been detected, so that subsequent Power-on Resets may be detected.

**2:** Brown-out Reset is said to have occurred when  $\overline{\text{BOR}}$  is '0' and  $\overline{\text{POR}}$  is '1' (assuming that  $\overline{\text{POR}}$  was set to '1' by software immediately after a Power-on Reset).

## 5.2 Master Clear ( $\overline{\text{MCLR}}$ )

The  $\overline{\text{MCLR}}$  pin provides a method for triggering a hard external Reset of the device. A Reset is generated by holding the pin low. PIC18 extended microcontroller devices have a noise filter in the  $\overline{\text{MCLR}}$  Reset path which detects and ignores small pulses.

The  $\overline{\text{MCLR}}$  pin is not driven low by any internal Resets, including the WDT.

## 5.3 Power-on Reset (POR)

A Power-on Reset condition is generated on-chip whenever VDD rises above a certain threshold. This allows the device to start in the initialized state when VDD is adequate for operation.

To take advantage of the POR circuitry, tie the  $\overline{\text{MCLR}}$  pin through a resistor (1 k $\Omega$  to 10 k $\Omega$ ) to VDD. This will eliminate external RC components usually needed to create a Power-on Reset delay. A minimum rise rate for VDD is specified (Parameter D004). For a slow rise time, see Figure 5-2.

When the device starts normal operation (exiting the Reset condition), device operating parameters (such as voltage, frequency and temperature) must be met to ensure operation. If these conditions are not met, the device must be held in Reset until the operating conditions are met.

Power-on Reset events are captured by the  $\overline{\text{POR}}$  bit (RCON<1>). The state of the bit is set to '0' whenever a Power-on Reset occurs and does not change for any other Reset event.  $\overline{\text{POR}}$  is not reset to '1' by any hardware event. To capture multiple events, the user manually resets the bit to '1' in software following any Power-on Reset.

## 5.4 Brown-out Reset (BOR)

The PIC18F87K90 family has four BOR modes:

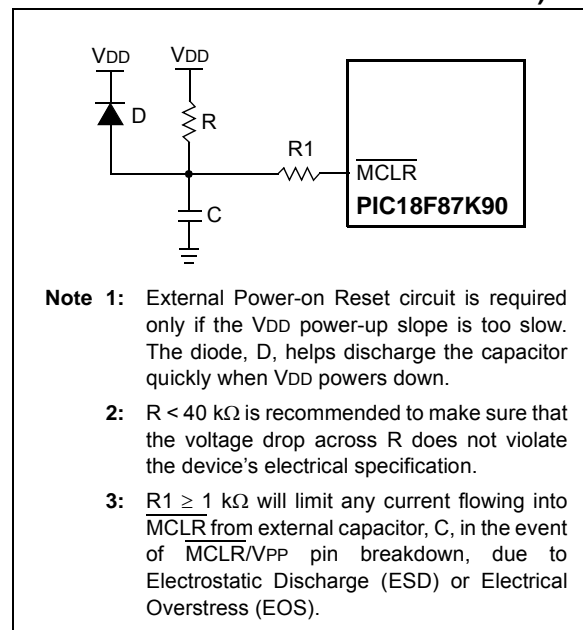
- High-Power BOR
- Medium Power BOR
- Low-Power BOR
- Zero-Power BOR

Each power mode is selected by the BORPWR<1:0> bits setting (CONFIG2L<6:5>). For low, medium and high-power BOR, the module monitors the VDD depending on the BORV<1:0> setting (CONFIG1L<3:2>). A BOR event re-arms the Power-on Reset. It also causes a Reset depending on which of the trip levels has been set: 1.8V, 2V, 2.7V or 3V. The typical ( $\Delta\text{IBOR}$ ) trip level for the Low and Medium Power BOR will be 0.75  $\mu\text{A}$  and 3  $\mu\text{A}$ .

In Zero-Power BOR (ZPBORMV), the module monitors the VDD voltage and re-arms the POR at about 2V. ZPBORMV does not cause a Reset, but re-arms the POR.

The BOR accuracy varies with its power level. The lower the power setting, the less accurate the BOR trip levels are. So, the high-power BOR has the highest accuracy and the low-power BOR has the lowest accuracy. The trip levels (BVDD, Parameter D005), current consumption (Section 31.2 "DC Characteristics: Power-Down and Supply Current PIC18F87K90 Family (Industrial/Extended)") and time required below BVDD (TBOR, Parameter 35) can all be found in Section 31.0 "Electrical Characteristics"

**FIGURE 5-2: EXTERNAL POWER-ON RESET CIRCUIT (FOR SLOW VDD POWER-UP)**



### 5.4.1 DETECTING BOR

The  $\overline{\text{BOR}}$  bit always resets to '0' on any Brown-out Reset or Power-on Reset event. This makes it difficult to determine if a Brown-out Reset event has occurred just by reading the state of  $\overline{\text{BOR}}$  alone. A more reliable method is to simultaneously check the state of both  $\overline{\text{POR}}$  and  $\overline{\text{BOR}}$ . This assumes that the  $\overline{\text{POR}}$  bit is reset to '1' in software immediately after any Power-on Reset event. If  $\overline{\text{BOR}}$  is '0' while  $\overline{\text{POR}}$  is '1', it can be reliably assumed that a Brown-out Reset event has occurred.

LP-BOR cannot be detected with the  $\overline{\text{BOR}}$  bit in the RCON register. LP-BOR can rearm the  $\overline{\text{POR}}$  and can cause a Power-on Reset.

# PIC18F87K90 FAMILY

## 5.5 Configuration Mismatch (CM)

The Configuration Mismatch (CM) Reset is designed to detect, and attempt to recover from, random, memory corrupting events. These include Electrostatic Discharge (ESD) events that can cause widespread, single bit changes throughout the device and result in catastrophic failure.

In PIC18F87K90 family Flash devices, the device Configuration registers (located in the configuration memory space) are continuously monitored during operation by comparing their values to complimentary shadow registers. If a mismatch is detected between the two sets of registers, a CM Reset automatically occurs. These events are captured by the  $\overline{\text{CM}}$  bit (RCON<5>). The state of the bit is set to '0' whenever a CM event occurs and does not change for any other Reset event.

A CM Reset behaves similarly to a Master Clear Reset, RESET instruction, WDT time-out or Stack Event Reset. As with all hard and power Reset events, the device Configuration Words are reloaded from the Flash Configuration Words, in program memory, as the device restarts.

## 5.6 Power-up Timer (PWRT)

PIC18F87K90 family devices incorporate an on-chip Power-up Timer (PWRT) to help regulate the Power-on Reset process. The PWRT is enabled by setting the PWRTEN bit (CONFIG2L<0>). The main function is to ensure that the device voltage is stable before code is executed.

The Power-up Timer (PWRT) of the PIC18F87K90 family devices is a 13-bit counter that uses the LF-INTOSC source as the clock input. This yields an approximate time interval of  $2,048 \times 32 \mu\text{s} = 66 \text{ ms}$ . While the PWRT is counting, the device is held in Reset.

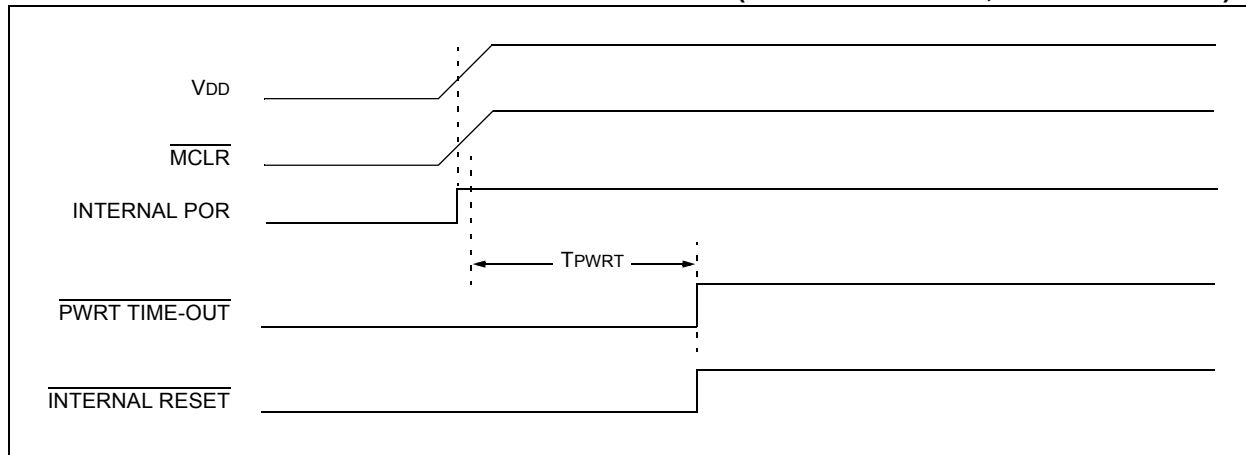
The power-up time delay depends on the LF-INTOSC clock and will vary from chip-to-chip due to temperature and process variation. See DC Parameter 33 for details.

### 5.6.1 TIME-OUT SEQUENCE

If enabled, the PWRT time-out is invoked after the POR pulse has cleared. The total time-out will vary based on the status of the PWRT. Figure 5-3, Figure 5-4, Figure 5-5 and Figure 5-6 all depict time-out sequences on power-up with the Power-up Timer enabled.

Since the time-outs occur from the POR pulse, if MCLR is kept low long enough, the PWRT will expire. Bringing MCLR high will begin execution immediately (Figure 5-5). This is useful for testing purposes or for synchronizing more than one PIC18 device operating in parallel.

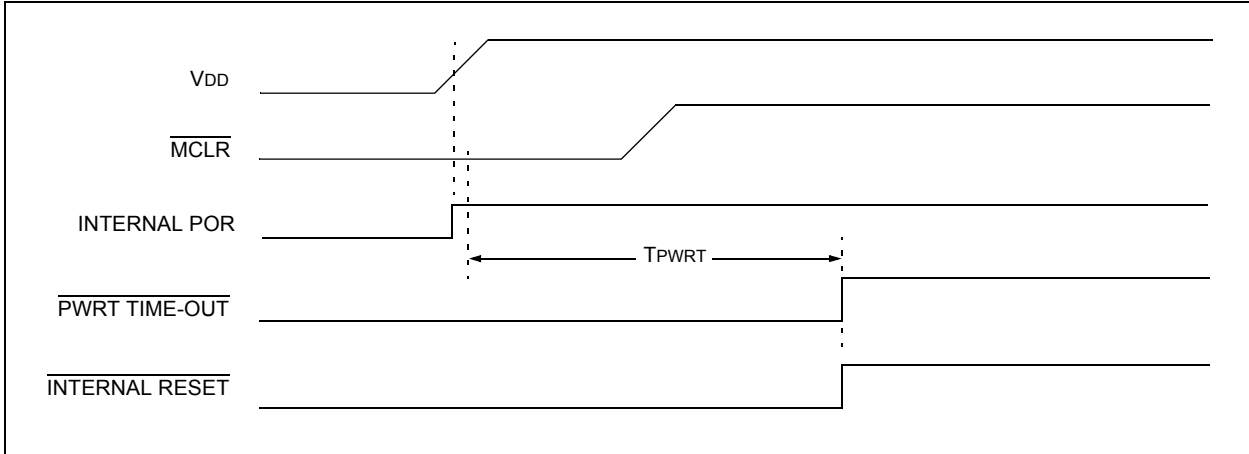
FIGURE 5-3: TIME-OUT SEQUENCE ON POWER-UP ( $\overline{\text{MCLR}}$  TIED TO  $V_{\text{DD}}$ ,  $V_{\text{DD}}$  RISE <  $T_{\text{PWRT}}$ )



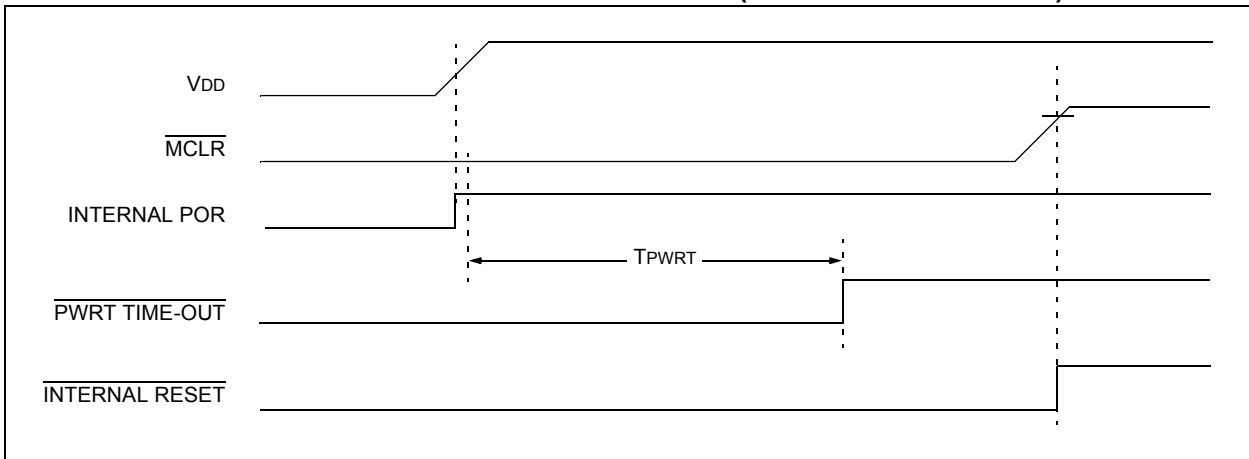


# PIC18F87K90 FAMILY

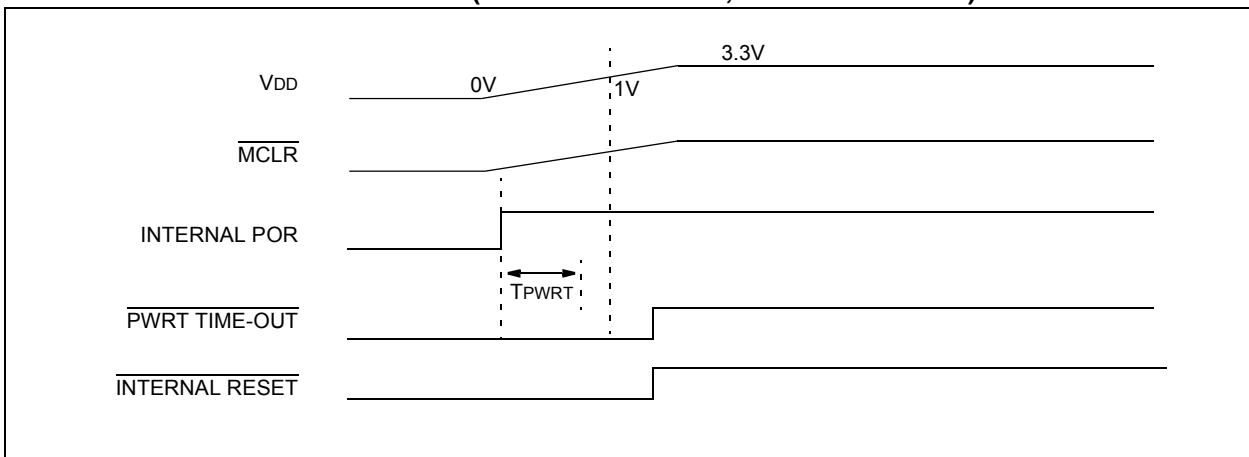
**FIGURE 5-4: TIME-OUT SEQUENCE ON POWER-UP ( $\overline{\text{MCLR}}$  NOT TIED TO  $V_{\text{DD}}$ ): CASE 1**



**FIGURE 5-5: TIME-OUT SEQUENCE ON POWER-UP ( $\overline{\text{MCLR}}$  NOT TIED TO  $V_{\text{DD}}$ ): CASE 2**



**FIGURE 5-6: SLOW RISE TIME ( $\overline{\text{MCLR}}$  TIED TO  $V_{\text{DD}}$ ,  $V_{\text{DD}}$  RISE  $>$  TPWRT)**



# PIC18F87K90 FAMILY

## 5.7 Reset State of Registers

Most registers are unaffected by a Reset. Their status is unknown on POR and unchanged by all other Resets. The other registers are forced to a “Reset state” depending on the type of Reset that occurred.

Most registers are not affected by a WDT wake-up, since this is viewed as the resumption of normal operation. Status bits from the RCON register ( $\overline{CM}$ ,  $\overline{RI}$ ,  $\overline{TO}$ ,  $\overline{PD}$ ,  $\overline{POR}$  and  $\overline{BOR}$ ) are set or cleared differently in

different Reset situations, as indicated in [Table 5-1](#). These bits are used in software to determine the nature of the Reset.

[Table 5-2](#) describes the Reset states for all of the Special Function Registers. These are categorized by Power-on and Brown-out Resets, Master Clear and WDT Resets, and WDT wake-ups.

**TABLE 5-1: STATUS BITS, THEIR SIGNIFICANCE AND THE INITIALIZATION CONDITION FOR RCON REGISTER**

| Condition  | Program Counter <sup>(1)</sup> | RCON Register   |                 |                 |                 |                  |                  | STKPTR Register |        |
|--|--------------------------------|-----------------|-----------------|-----------------|-----------------|------------------|------------------|-----------------|--------|
|  |                                | $\overline{CM}$ | $\overline{RI}$ | $\overline{TO}$ | $\overline{PD}$ | $\overline{POR}$ | $\overline{BOR}$ | STKFUL          | STKUNF |
| Power-on Reset   | 0000h                          | 1               | 1               | 1               | 1               | 0                | 0                | 0               | 0      |
| RESET instruction  | 0000h                          | u               | 0               | u               | u               | u                | u                | u               | u      |
| Brown-out Reset  | 0000h                          | 1               | 1               | 1               | 1               | u                | 0                | u               | u      |
| Configuration Mismatch Reset   | 0000h                          | 0               | u               | u               | u               | u                | u                | u               | u      |
| $\overline{MCLR}$ Reset during power-managed Run modes                 | 0000h                          | u               | u               | 1               | u               | u                | u                | u               | u      |
| $\overline{MCLR}$ Reset during power-managed Idle modes and Sleep mode | 0000h                          | u               | u               | 1               | 0               | u                | u                | u               | u      |
| $\overline{MCLR}$ Reset during full-power execution                    | 0000h                          | u               | u               | u               | u               | u                | u                | u               | u      |
| Stack Full Reset (STVREN = 1)  | 0000h                          | u               | u               | u               | u               | u                | u                | 1               | u      |
| Stack Underflow Reset (STVREN = 1)                                     | 0000h                          | u               | u               | u               | u               | u                | u                | u               | 1      |
| Stack Underflow Error (not an actual Reset, STVREN = 0)                | 0000h                          | u               | u               | u               | u               | u                | u                | u               | 1      |
| WDT time-out during full-power or power-managed Run modes              | 0000h                          | u               | u               | 0               | u               | u                | u                | u               | u      |
| WDT time-out during power-managed Idle or Sleep modes                  | PC + 2                         | u               | u               | 0               | 0               | u                | u                | u               | u      |
| Interrupt exit from power-managed modes                                | PC + 2                         | u               | u               | u               | 0               | u                | u                | u               | u      |

**Legend:** u = unchanged

**Note 1:** When the wake-up is due to an interrupt and the GIEH or GIEL bit is set, the PC is loaded with the interrupt vector (0008h or 0018h).

# PIC18F87K90 FAMILY

**TABLE 5-2: INITIALIZATION CONDITIONS FOR ALL REGISTERS**

| Register | Applicable Devices |             | Power-on Reset,<br>Brown-out Reset | MCLR Resets,<br>WDT Reset,<br>RESET Instruction,<br>Stack Resets,<br>CM Resets | Wake-up via WDT<br>or Interrupt |
|----------|--------------------|-------------|------------------------------------|--|---------------------------------|
| TOSU     | PIC18F6XK90        | PIC18F8XK90 | ---0 0000                          | ---0 0000  | ---0 uuuu <sup>(1)</sup>        |
| TOSH     | PIC18F6XK90        | PIC18F8XK90 | 0000 0000                          | 0000 0000  | uuuu uuuu <sup>(1)</sup>        |
| TOSL     | PIC18F6XK90        | PIC18F8XK90 | 0000 0000                          | 0000 0000  | uuuu uuuu <sup>(1)</sup>        |
| STKPTR   | PIC18F6XK90        | PIC18F8XK90 | 00-0 0000                          | uu-0 0000  | uu-u uuuu <sup>(1)</sup>        |
| PCLATU   | PIC18F6XK90        | PIC18F8XK90 | ---0 0000                          | ---0 0000  | ---u uuuu                       |
| PCLATH   | PIC18F6XK90        | PIC18F8XK90 | 0000 0000                          | 0000 0000  | uuuu uuuu                       |
| PCL      | PIC18F6XK90        | PIC18F8XK90 | 0000 0000                          | 0000 0000  | PC + 2 <sup>(2)</sup>           |
| TBLPTRU  | PIC18F6XK90        | PIC18F8XK90 | --00 0000                          | --00 0000  | --uu uuuu                       |
| TBLPTRH  | PIC18F6XK90        | PIC18F8XK90 | 0000 0000                          | 0000 0000  | uuuu uuuu                       |
| TBLPTRL  | PIC18F6XK90        | PIC18F8XK90 | 0000 0000                          | 0000 0000  | uuuu uuuu                       |
| TABLAT   | PIC18F6XK90        | PIC18F8XK90 | 0000 0000                          | 0000 0000  | uuuu uuuu                       |
| PRODH    | PIC18F6XK90        | PIC18F8XK90 | xxxx xxxx                          | uuuu uuuu  | uuuu uuuu                       |
| PRODL    | PIC18F6XK90        | PIC18F8XK90 | xxxx xxxx                          | uuuu uuuu  | uuuu uuuu                       |
| INTCON   | PIC18F6XK90        | PIC18F8XK90 | 0000 000x                          | 0000 000u  | uuuu uuuu <sup>(3)</sup>        |
| INTCON2  | PIC18F6XK90        | PIC18F8XK90 | 1111 1111                          | 1111 1111  | uuuu uuuu <sup>(3)</sup>        |
| INTCON3  | PIC18F6XK90        | PIC18F8XK90 | 1100 0000                          | 1100 0000  | uuuu uuuu <sup>(3)</sup>        |
| INDF0    | PIC18F6XK90        | PIC18F8XK90 | N/A                                | N/A  | N/A                             |
| POSTINC0 | PIC18F6XK90        | PIC18F8XK90 | N/A                                | N/A  | N/A                             |
| POSTDEC0 | PIC18F6XK90        | PIC18F8XK90 | N/A                                | N/A  | N/A                             |
| PREINC0  | PIC18F6XK90        | PIC18F8XK90 | N/A                                | N/A  | N/A                             |
| PLUSW0   | PIC18F6XK90        | PIC18F8XK90 | N/A                                | N/A  | N/A                             |
| FSR0H    | PIC18F6XK90        | PIC18F8XK90 | ---- 0000                          | ---- 0000  | ---- uuuu                       |
| FSR0L    | PIC18F6XK90        | PIC18F8XK90 | xxxx xxxx                          | uuuu uuuu  | uuuu uuuu                       |
| WREG     | PIC18F6XK90        | PIC18F8XK90 | xxxx xxxx                          | uuuu uuuu  | uuuu uuuu                       |
| INDF1    | PIC18F6XK90        | PIC18F8XK90 | N/A                                | N/A  | N/A                             |
| POSTINC1 | PIC18F6XK90        | PIC18F8XK90 | N/A                                | N/A  | N/A                             |
| POSTDEC1 | PIC18F6XK90        | PIC18F8XK90 | N/A                                | N/A  | N/A                             |
| PREINC1  | PIC18F6XK90        | PIC18F8XK90 | N/A                                | N/A  | N/A                             |
| PLUSW1   | PIC18F6XK90        | PIC18F8XK90 | N/A                                | N/A  | N/A                             |
| FSR1H    | PIC18F6XK90        | PIC18F8XK90 | ---- 0000                          | ---- 0000  | ---- uuuu                       |
| FSR1L    | PIC18F6XK90        | PIC18F8XK90 | xxxx xxxx                          | uuuu uuuu  | uuuu uuuu                       |
| BSR      | PIC18F6XK90        | PIC18F8XK90 | ---- 0000                          | ---- 0000  | ---- uuuu                       |

**Legend:** u = unchanged, x = unknown, - = unimplemented bit, read as '0', q = value depends on condition. Shaded cells indicate conditions do not apply for the designated device.

- Note 1:** When the wake-up is due to an interrupt, and the GIEL or GIEH bit is set, the TOSU, TOSH and TOSL are updated with the current value of the PC. The STKPTR is modified to point to the next location in the hardware stack.
- 2:** When the wake-up is due to an interrupt and the GIEL or GIEH bit is set, the PC is loaded with the interrupt vector (0008h or 0018h).
- 3:** One or more bits in the INTCONx or PIRx registers will be affected (to cause wake-up).
- 4:** See [Table 5-1](#) for the Reset value for a specific condition.

# PIC18F87K90 FAMILY

**TABLE 5-2: INITIALIZATION CONDITIONS FOR ALL REGISTERS (CONTINUED)**

| Register              | Applicable Devices |             | Power-on Reset,<br>Brown-out Reset | MCLR Resets,<br>WDT Reset,<br>RESET Instruction,<br>Stack Resets,<br>CM Resets | Wake-up via WDT<br>or Interrupt |
|-----------------------|--------------------|-------------|------------------------------------|--|---------------------------------|
| INDF2                 | PIC18F6XK90        | PIC18F8XK90 | N/A                                | N/A  | N/A                             |
| POSTINC2              | PIC18F6XK90        | PIC18F8XK90 | N/A                                | N/A  | N/A                             |
| POSTDEC2              | PIC18F6XK90        | PIC18F8XK90 | N/A                                | N/A  | N/A                             |
| PREINC2               | PIC18F6XK90        | PIC18F8XK90 | N/A                                | N/A  | N/A                             |
| PLUSW2                | PIC18F6XK90        | PIC18F8XK90 | N/A                                | N/A  | N/A                             |
| FSR2H                 | PIC18F6XK90        | PIC18F8XK90 | ---- 0000                          | ---- 0000  | ---- uuuu                       |
| FSR2L                 | PIC18F6XK90        | PIC18F8XK90 | xxxx xxxx                          | uuuu uuuu  | uuuu uuuu                       |
| STATUS <sup>(4)</sup> | PIC18F6XK90        | PIC18F8XK90 | ---x xxxx                          | ---u uuuu  | ---u uuuu                       |
| TMR0H                 | PIC18F6XK90        | PIC18F8XK90 | 0000 0000                          | uuuu uuuu  | uuuu uuuu                       |
| TMR0L                 | PIC18F6XK90        | PIC18F8XK90 | xxxx xxxx                          | uuuu uuuu  | uuuu uuuu                       |
| T0CON                 | PIC18F6XK90        | PIC18F8XK90 | 1111 1111                          | 1111 1111  | uuuu uuuu                       |
| SPBRGH1               | PIC18F6XK90        | PIC18F8XK90 | 0000 0000                          | 0000 0000  | uuuu uuuu                       |
| OSCCON                | PIC18F6XK90        | PIC18F8XK90 | 0110 q000                          | 0110 q000  | uuuu quuu                       |
| IPR5                  | PIC18F6XK90        | PIC18F8XK90 | 1111 1111                          | 1111 1111  | uuuu uuuu                       |
| WDTCON                | PIC18F6XK90        | PIC18F8XK90 | 0-x0 -000                          | 0-x0 -000  | u-uu -uuu                       |
| RCON                  | PIC18F6XK90        | PIC18F8XK90 | 0111 11qq                          | 0uqq qquu  | uuuu qquu                       |
| TMR1H                 | PIC18F6XK90        | PIC18F8XK90 | xxxx xxxx                          | uuuu uuuu  | uuuu uuuu                       |
| TMR1L                 | PIC18F6XK90        | PIC18F8XK90 | xxxx xxxx                          | uuuu uuuu  | uuuu uuuu                       |
| T1CON                 | PIC18F6XK90        | PIC18F8XK90 | 0000 0000                          | uuuu uuuu  | uuuu uuuu                       |
| TMR2                  | PIC18F6XK90        | PIC18F8XK90 | 0000 0000                          | 0000 0000  | uuuu uuuu                       |
| PR2                   | PIC18F6XK90        | PIC18F8XK90 | 1111 1111                          | 1111 1111  | uuuu uuuu                       |
| T2CON                 | PIC18F6XK90        | PIC18F8XK90 | -000 0000                          | -000 0000  | -uuu uuuu                       |
| SSP1BUF               | PIC18F6XK90        | PIC18F8XK90 | xxxx xxxx                          | uuuu uuuu  | uuuu uuuu                       |
| SSP1ADD               | PIC18F6XK90        | PIC18F8XK90 | 0000 0000                          | 0000 0000  | uuuu uuuu                       |
| SSP1STAT              | PIC18F6XK90        | PIC18F8XK90 | 0000 0000                          | 0000 0000  | uuuu uuuu                       |
| SSP1CON1              | PIC18F6XK90        | PIC18F8XK90 | 0000 0000                          | 0000 0000  | uuuu uuuu                       |
| SSP1CON2              | PIC18F6XK90        | PIC18F8XK90 | 0000 0000                          | 0000 0000  | uuuu uuuu                       |
| ADRESH                | PIC18F6XK90        | PIC18F8XK90 | xxxx xxxx                          | uuuu uuuu  | uuuu uuuu                       |
| ADRESL                | PIC18F6XK90        | PIC18F8XK90 | xxxx xxxx                          | uuuu uuuu  | uuuu uuuu                       |
| ADCON0                | PIC18F6XK90        | PIC18F8XK90 | -000 0000                          | -000 0000  | -uuu uuuu                       |
| ADCON1                | PIC18F6XK90        | PIC18F8XK90 | 0000 0000                          | 0000 0000  | uuuu uuuu                       |
| ADCON2                | PIC18F6XK90        | PIC18F8XK90 | 0-00 0000                          | 0-00 0000  | u-uu uuuu                       |
| ECCP1AS               | PIC18F6XK90        | PIC18F8XK90 | 0000 0000                          | 0000 0000  | uuuu uuuu                       |

**Legend:** u = unchanged, x = unknown, - = unimplemented bit, read as '0', q = value depends on condition.  
Shaded cells indicate conditions do not apply for the designated device.

**Note 1:** When the wake-up is due to an interrupt, and the GIEL or GIEH bit is set, the TOSU, TOSH and TOSL are updated with the current value of the PC. The STKPTR is modified to point to the next location in the hardware stack.

**2:** When the wake-up is due to an interrupt and the GIEL or GIEH bit is set, the PC is loaded with the interrupt vector (0008h or 0018h).

**3:** One or more bits in the INTCONx or PIRx registers will be affected (to cause wake-up).

**4:** See [Table 5-1](#) for the Reset value for a specific condition.

# PIC18F87K90 FAMILY

**TABLE 5-2: INITIALIZATION CONDITIONS FOR ALL REGISTERS (CONTINUED)**

| Register | Applicable Devices |             | Power-on Reset,<br>Brown-out Reset | MCLR Resets,<br>WDT Reset,<br>RESET Instruction,<br>Stack Resets,<br>CM Resets | Wake-up via WDT<br>or Interrupt |
|----------|--------------------|-------------|------------------------------------|--|---------------------------------|
| ECCP1DEL | PIC18F6XK90        | PIC18F8XK90 | 0000 0000                          | 0000 0000  | uuuu uuuu                       |
| CCPR1H   | PIC18F6XK90        | PIC18F8XK90 | xxxx xxxx                          | uuuu uuuu  | uuuu uuuu                       |
| CCPR1L   | PIC18F6XK90        | PIC18F8XK90 | xxxx xxxx                          | uuuu uuuu  | uuuu uuuu                       |
| CCP1CON  | PIC18F6XK90        | PIC18F8XK90 | 0000 0000                          | 0000 0000  | uuuu uuuu                       |
| PIR5     | PIC18F6XK90        | PIC18F8XK90 | 0000 0000                          | 0000 0000  | uuuu uuuu                       |
| PIE5     | PIC18F6XK90        | PIC18F8XK90 | 0000 0000                          | 0000 0000  | uuuu uuuu <sup>(1)</sup>        |
| IPR4     | PIC18F6XK90        | PIC18F8XK90 | 1111 1111                          | 1111 1111  | uuuu uuuu                       |
| PIR4     | PIC18F6XK90        | PIC18F8XK90 | 0000 0000                          | 0000 0000  | uuuu uuuu <sup>(1)</sup>        |
| PIE4     | PIC18F6XK90        | PIC18F8XK90 | 0000 0000                          | 0000 0000  | uuuu uuuu                       |
| CVRCON   | PIC18F6XK90        | PIC18F8XK90 | 0000 0000                          | 0000 0000  | uuuu uuuu                       |
| CMSTAT   | PIC18F6XK90        | PIC18F8XK90 | 111- ----                          | 111- ----  | uuu- ----                       |
| TMR3H    | PIC18F6XK90        | PIC18F8XK90 | xxxx xxxx                          | uuuu uuuu  | uuuu uuuu                       |
| TMR3L    | PIC18F6XK90        | PIC18F8XK90 | xxxx xxxx                          | uuuu uuuu  | uuuu uuuu                       |
| T3CON    | PIC18F6XK90        | PIC18F8XK90 | 0000 0000                          | 0000 0x00  | 0000 0x00                       |
| T3GCON   | PIC18F6XK90        | PIC18F8XK90 | 0000 0x00                          | 0000 0x00  | uuuu uuuu                       |
| SPBRG1   | PIC18F6XK90        | PIC18F8XK90 | 0000 0000                          | 0000 0000  | uuuu uuuu                       |
| RCREG1   | PIC18F6XK90        | PIC18F8XK90 | 0000 0000                          | 0000 0000  | uuuu uuuu                       |
| TXREG1   | PIC18F6XK90        | PIC18F8XK90 | 0000 0000                          | 0000 0000  | uuuu uuuu                       |
| TXSTA1   | PIC18F6XK90        | PIC18F8XK90 | 0000 0010                          | 0000 0010  | uuuu uuuu                       |
| RCSTA1   | PIC18F6XK90        | PIC18F8XK90 | 0000 000x                          | 0000 000x  | uuuu uuuu                       |
| T1GCON   | PIC18F6XK90        | PIC18F8XK90 | 0000 0x00                          | 0000 0x00  | uuuu uuuu                       |
| IPR6     | PIC18F6XK90        | PIC18F8XK90 | ---1 -111                          | ---1 -111  | ---u -uuu                       |
| HLVDCON  | PIC18F6XK90        | PIC18F8XK90 | 0000 0101                          | 0000 0101  | uuuu uuuu                       |
| PIR6     | PIC18F6XK90        | PIC18F8XK90 | ---0 -000                          | ---0 -000  | ---u -uuu                       |
| IPR3     | PIC18F6XK90        | PIC18F8XK90 | 1111 1111                          | 1111 1111  | uuuu uuuu                       |
| PIR3     | PIC18F6XK90        | PIC18F8XK90 | 0000 0000                          | 0000 0000  | uuuu uuuu                       |
| PIE3     | PIC18F6XK90        | PIC18F8XK90 | 0000 0000                          | 0000 0000  | uuuu uuuu                       |
| IPR2     | PIC18F6XK90        | PIC18F8XK90 | 1-11 1111                          | 1-11 1111  | u-uu uuuu                       |
| PIR2     | PIC18F6XK90        | PIC18F8XK90 | 0-00 0000                          | 0-00 0000  | u-uu uuuu                       |
| PIE2     | PIC18F6XK90        | PIC18F8XK90 | 0-00 0000                          | 0-00 0000  | u-uu uuuu                       |
| IPR1     | PIC18F6XK90        | PIC18F8XK90 | -111 1111                          | -111 1111  | -uuu uuuu                       |
| PIR1     | PIC18F6XK90        | PIC18F8XK90 | -000 0000                          | -000 0000  | -uuu uuuu                       |
| PIE1     | PIC18F6XK90        | PIC18F8XK90 | -000 0000                          | -000 0000  | -uuu uuuu                       |

**Legend:** u = unchanged, x = unknown, - = unimplemented bit, read as '0', q = value depends on condition.  
Shaded cells indicate conditions do not apply for the designated device.

**Note 1:** When the wake-up is due to an interrupt, and the GIEL or GIEH bit is set, the TOSU, TOSH and TOSL are updated with the current value of the PC. The STKPTR is modified to point to the next location in the hardware stack.

**2:** When the wake-up is due to an interrupt and the GIEL or GIEH bit is set, the PC is loaded with the interrupt vector (0008h or 0018h).

**3:** One or more bits in the INTCONx or PIRx registers will be affected (to cause wake-up).

**4:** See [Table 5-1](#) for the Reset value for a specific condition.

# PIC18F87K90 FAMILY

**TABLE 5-2: INITIALIZATION CONDITIONS FOR ALL REGISTERS (CONTINUED)**

| Register | Applicable Devices |             | Power-on Reset,<br>Brown-out Reset | MCLR Resets,<br>WDT Reset,<br>RESET Instruction,<br>Stack Resets,<br>CM Resets | Wake-up via WDT<br>or Interrupt |
|----------|--------------------|-------------|------------------------------------|--|---------------------------------|
| PSTR1CON | PIC18F6XK90        | PIC18F8XK90 | 00-0 0001                          | 00-0 0001  | uu-u uuuu                       |
| OSCTUNE  | PIC18F6XK90        | PIC18F8XK90 | 0000 0000                          | 0000 0000  | uuuu uuuu                       |
| TRISJ    | PIC18F6XK90        | PIC18F8XK90 | 1111 1111                          | 1111 1111  | uuuu uuuu                       |
| TRISH    | PIC18F6XK90        | PIC18F8XK90 | 1111 1111                          | 1111 1111  | uuuu uuuu                       |
| TRISG    | PIC18F6XK90        | PIC18F8XK90 | ---1 1111                          | ---1 1111  | ---u uuuu                       |
| TRISF    | PIC18F6XK90        | PIC18F8XK90 | 1111 111-                          | 1111 111-  | uuuu uu-                        |
| TRISE    | PIC18F6XK90        | PIC18F8XK90 | 1111 1111                          | 1111 1111  | uuuu uuuu                       |
| TRISD    | PIC18F6XK90        | PIC18F8XK90 | 1111 1111                          | 1111 1111  | uuuu uuuu                       |
| TRISC    | PIC18F6XK90        | PIC18F8XK90 | 1111 1111                          | 1111 1111  | uuuu uuuu                       |
| TRISB    | PIC18F6XK90        | PIC18F8XK90 | 1111 1111                          | 1111 1111  | uuuu uuuu                       |
| TRISA    | PIC18F6XK90        | PIC18F8XK90 | 1111 1111                          | 1111 1111  | uuuu uuuu                       |
| LATJ     | PIC18F6XK90        | PIC18F8XK90 | xxxx xxxx                          | uuuu uuuu  | uuuu uuuu                       |
| LATH     | PIC18F6XK90        | PIC18F8XK90 | xxxx xxxx                          | uuuu uuuu  | uuuu uuuu                       |
| LATG     | PIC18F6XK90        | PIC18F8XK90 | ---x xxxx                          | ---u uuuu  | ---u uuuu                       |
| LATF     | PIC18F6XK90        | PIC18F8XK90 | xxxx xxx-                          | uuuu uu-   | uuuu uu-                        |
| LATE     | PIC18F6XK90        | PIC18F8XK90 | xxxx xxxx                          | uuuu uuuu  | uuuu uuuu                       |
| LATD     | PIC18F6XK90        | PIC18F8XK90 | xxxx xxxx                          | uuuu uuuu  | uuuu uuuu                       |
| LATC     | PIC18F6XK90        | PIC18F8XK90 | xxxx xxxx                          | uuuu uuuu  | uuuu uuuu                       |
| LATB     | PIC18F6XK90        | PIC18F8XK90 | xxxx xxxx                          | uuuu uuuu  | uuuu uuuu                       |
| LATA     | PIC18F6XK90        | PIC18F8XK90 | xxxx xxxx                          | uuuu uuuu  | uuuu uuuu                       |
| PORTJ    | PIC18F6XK90        | PIC18F8XK90 | xxxx xxxx                          | xxxx xxxx  | uuuu uuuu                       |
| PORTH    | PIC18F6XK90        | PIC18F8XK90 | 0000 0000                          | 0000 0000  | uuuu uuuu                       |
| PORTG    | PIC18F6XK90        | PIC18F8XK90 | --x0 000x                          | --x0 000x  | --uu uuuu                       |
| PORTF    | PIC18F6XK90        | PIC18F8XK90 | 0000 000-                          | 0000 000-  | uuuu uu-                        |
| PORTE    | PIC18F6XK90        | PIC18F8XK90 | xxxx xxxx                          | xxxx xxxx  | uuuu uuuu                       |
| PORTD    | PIC18F6XK90        | PIC18F8XK90 | xxxx xxxx                          | xxxx xxxx  | uuuu uuuu                       |
| PORTC    | PIC18F6XK90        | PIC18F8XK90 | xxxx xxxx                          | xxxx xxxx  | uuuu uuuu                       |
| PORTB    | PIC18F6XK90        | PIC18F8XK90 | xxxx xxxx                          | xxxx xxxx  | uuuu uuuu                       |
| PORTA    | PIC18F6XK90        | PIC18F8XK90 | xx0x 0000                          | uu0u 0000  | uuuu uuuu                       |

**Legend:** u = unchanged, x = unknown, - = unimplemented bit, read as '0', q = value depends on condition.  
Shaded cells indicate conditions do not apply for the designated device.

- Note 1:** When the wake-up is due to an interrupt, and the GIEL or GIEH bit is set, the TOSU, TOSH and TOSL are updated with the current value of the PC. The STKPTR is modified to point to the next location in the hardware stack.
- 2:** When the wake-up is due to an interrupt and the GIEL or GIEH bit is set, the PC is loaded with the interrupt vector (0008h or 0018h).
- 3:** One or more bits in the INTCONx or PIRx registers will be affected (to cause wake-up).
- 4:** See [Table 5-1](#) for the Reset value for a specific condition.

# PIC18F87K90 FAMILY

**TABLE 5-2: INITIALIZATION CONDITIONS FOR ALL REGISTERS (CONTINUED)**

| Register  | Applicable Devices |             | Power-on Reset,<br>Brown-out Reset | MCLR Resets,<br>WDT Reset,<br>RESET Instruction,<br>Stack Resets,<br>CM Resets | Wake-up via WDT<br>or Interrupt |
|-----------|--------------------|-------------|------------------------------------|--|---------------------------------|
| EECON1    | PIC18F6XK90        | PIC18F8XK90 | xx-0 x000                          | uu-0 u000  | uu-u uuuu                       |
| EECON2    | PIC18F6XK90        | PIC18F8XK90 | 0000 0000                          | 0000 0000  | 0000 0000                       |
| LCDDATA23 | PIC18F6XK90        | PIC18F8XK90 | xxxx xxxx                          | uuuu uuuu  | uuuu uuuu                       |
| LCDDATA22 | PIC18F6XK90        | PIC18F8XK90 | ---- -x                            | ---- -u  | ---- -u                         |
| LCDDATA22 | PIC18F6XK90        | PIC18F8XK90 | xxxx xxxx                          | uuuu uuuu  | uuuu uuuu                       |
| LCDDATA21 | PIC18F6XK90        | PIC18F8XK90 | xxxx xxxx                          | uuuu uuuu  | uuuu uuuu                       |
| LCDDATA20 | PIC18F6XK90        | PIC18F8XK90 | xxxx xxxx                          | uuuu uuuu  | uuuu uuuu                       |
| LCDDATA19 | PIC18F6XK90        | PIC18F8XK90 | xxxx xxxx                          | uuuu uuuu  | uuuu uuuu                       |
| LCDDATA18 | PIC18F6XK90        | PIC18F8XK90 | xxxx xxxx                          | uuuu uuuu  | uuuu uuuu                       |
| LCDDATA17 | PIC18F6XK90        | PIC18F8XK90 | xxxx xxxx                          | uuuu uuuu  | uuuu uuuu                       |
| LCDDATA16 | PIC18F6XK90        | PIC18F8XJ90 | ---- -x                            | ---- -u  | ---- -u                         |
| LCDDATA16 | PIC18F6XK90        | PIC18F8XK90 | xxxx xxxx                          | uuuu uuuu  | uuuu uuuu                       |
| LCDDATA15 | PIC18F6XK90        | PIC18F8XK90 | xxxx xxxx                          | uuuu uuuu  | uuuu uuuu                       |
| LCDDATA14 | PIC18F6XK90        | PIC18F8XK90 | xxxx xxxx                          | uuuu uuuu  | uuuu uuuu                       |
| LCDDATA13 | PIC18F6XK90        | PIC18F8XK90 | xxxx xxxx                          | uuuu uuuu  | uuuu uuuu                       |
| LCDDATA12 | PIC18F6XK90        | PIC18F8XK90 | xxxx xxxx                          | uuuu uuuu  | uuuu uuuu                       |
| LCDDATA11 | PIC18F6XK90        | PIC18F8XK90 | xxxx xxxx                          | uuuu uuuu  | uuuu uuuu                       |
| LCDDATA10 | PIC18F6XK90        | PIC18F8XK90 | ---- -x                            | ---- -u  | ---- -u                         |
| LCDDATA10 | PIC18F6XK90        | PIC18F8XJ90 | xxxx xxxx                          | uuuu uuuu  | uuuu uuuu                       |
| LCDDATA9  | PIC18F6XK90        | PIC18F8XK90 | xxxx xxxx                          | uuuu uuuu  | uuuu uuuu                       |
| LCDDATA8  | PIC18F6XK90        | PIC18F8XK90 | xxxx xxxx                          | uuuu uuuu  | uuuu uuuu                       |
| LCDDATA7  | PIC18F6XK90        | PIC18F8XK90 | xxxx xxxx                          | uuuu uuuu  | uuuu uuuu                       |
| LCDDATA6  | PIC18F6XK90        | PIC18F8XK90 | xxxx xxxx                          | uuuu uuuu  | uuuu uuuu                       |
| LCDDATA5  | PIC18F6XK90        | PIC18F8XK90 | xxxx xxxx                          | uuuu uuuu  | uuuu uuuu                       |
| LCDDATA4  | PIC18F6XK90        | PIC18F8XJ90 | ---- -x                            | ---- -u  | ---- -u                         |
| LCDDATA4  | PIC18F6XK90        | PIC18F8XK90 | xxxx xxxx                          | uuuu uuuu  | uuuu uuuu                       |
| LCDDATA3  | PIC18F6XK90        | PIC18F8XK90 | xxxx xxxx                          | uuuu uuuu  | uuuu uuuu                       |
| LCDDATA2  | PIC18F6XK90        | PIC18F8XK90 | xxxx xxxx                          | uuuu uuuu  | uuuu uuuu                       |
| LCDDATA1  | PIC18F6XK90        | PIC18F8XK90 | xxxx xxxx                          | uuuu uuuu  | uuuu uuuu                       |
| LCDDATA0  | PIC18F6XK90        | PIC18F8XK90 | xxxx xxxx                          | uuuu uuuu  | uuuu uuuu                       |
| BAUDCON1  | PIC18F6XK90        | PIC18F8XK90 | 0100 0-00                          | 0100 0-00  | uuuu u-uu                       |
| OSCCON2   | PIC18F6XK90        | PIC18F8XK90 | -0-- 0-x0                          | -0-- 0-u0  | -u-- u-uu                       |
| EEADRH    | PIC18F6XK90        | PIC18F8XK90 | ---- --00                          | ---- --00  | ---- --uu                       |

**Legend:** u = unchanged, x = unknown, - = unimplemented bit, read as '0', q = value depends on condition.  
Shaded cells indicate conditions do not apply for the designated device.

**Note 1:** When the wake-up is due to an interrupt, and the GIEL or GIEH bit is set, the TOSU, TOSH and TOSL are updated with the current value of the PC. The STKPTR is modified to point to the next location in the hardware stack.

**2:** When the wake-up is due to an interrupt and the GIEL or GIEH bit is set, the PC is loaded with the interrupt vector (0008h or 0018h).

**3:** One or more bits in the INTCONx or PIRx registers will be affected (to cause wake-up).

**4:** See [Table 5-1](#) for the Reset value for a specific condition.

# PIC18F87K90 FAMILY

**TABLE 5-2: INITIALIZATION CONDITIONS FOR ALL REGISTERS (CONTINUED)**

| Register | Applicable Devices |             | Power-on Reset,<br>Brown-out Reset | MCLR Resets,<br>WDT Reset,<br>RESET Instruction,<br>Stack Resets,<br>CM Resets | Wake-up via WDT<br>or Interrupt |
|----------|--------------------|-------------|------------------------------------|--|---------------------------------|
| EEADR    | PIC18F6XK90        | PIC18F8XK90 | 0000 0000                          | 0000 0000  | uuuu uuuu                       |
| EEDATA   | PIC18F6XK90        | PIC18F8XK90 | 0000 0000                          | 0000 0000  | uuuu uuuu                       |
| PIE6     | PIC18F6XK90        | PIC18F8XK90 | ---0 -000                          | ---0 -000  | ---u -uuu                       |
| RTCCFG   | PIC18F6XK90        | PIC18F8XK90 | 0-00 0000                          | u-uu uuuu  | u-uu uuuu                       |
| RTCCAL   | PIC18F6XK90        | PIC18F8XK90 | 0000 0000                          | uuuu uuuu  | uuuu uuuu                       |
| RTCVALH  | PIC18F6XK90        | PIC18F8XK90 | xxxx xxxx                          | uuuu uuuu  | uuuu uuuu                       |
| RTCVALL  | PIC18F6XK90        | PIC18F8XK90 | xxxx xxxx                          | uuuu uuuu  | uuuu uuuu                       |
| ALRMCFG  | PIC18F6XK90        | PIC18F8XK90 | 0000 0000                          | uuuu uuuu  | uuuu uuuu                       |
| ALMRPT   | PIC18F6XK90        | PIC18F8XK90 | 0000 0000                          | uuuu uuuu  | uuuu uuuu                       |
| ALRMVALH | PIC18F6XK90        | PIC18F8XK90 | xxxx xxxx                          | uuuu uuuu  | uuuu uuuu                       |
| ALRMVALL | PIC18F6XK90        | PIC18F8XK90 | xxxx xxxx                          | uuuu uuuu  | uuuu uuuu                       |
| CTMUCONH | PIC18F6XK90        | PIC18F8XK90 | 0-00 0000                          | 0-00 0000  | u-uu uuuu                       |
| CTMUCONL | PIC18F6XK90        | PIC18F8XK90 | 0000 0000                          | 0000 00xx  | uuuu uuuu                       |
| CTMUICON | PIC18F6XK90        | PIC18F8XK90 | 0000 0000                          | 0000 0000  | uuuu uuuu                       |
| CM1CON   | PIC18F6XK90        | PIC18F8XK90 | 0001 1111                          | 0001 1111  | uuuu uuuu                       |
| PADCFG1  | PIC18F6XK90        | PIC18F8XK90 | 000- -00-                          | uuu- -uu-  | uuu- -uu-                       |
| ECCP2AS  | PIC18F6XK90        | PIC18F8XK90 | 0000 0000                          | 0000 0000  | uuuu uuuu                       |
| ECCP2DEL | PIC18F6XK90        | PIC18F8XK90 | 0000 0000                          | 0000 0000  | uuuu uuuu                       |
| CCPR2H   | PIC18F6XK90        | PIC18F8XK90 | xxxx xxxx                          | uuuu uuuu  | uuuu uuuu                       |
| CCPR2L   | PIC18F6XK90        | PIC18F8XK90 | xxxx xxxx                          | uuuu uuuu  | uuuu uuuu                       |
| CCP2CON  | PIC18F6XK90        | PIC18F8XK90 | 0000 0000                          | 0000 0000  | uuuu uuuu                       |
| ECCP3AS  | PIC18F6XK90        | PIC18F8XK90 | 0000 0000                          | 0000 0000  | uuuu uuuu                       |
| ECCP3DEL | PIC18F6XK90        | PIC18F8XK90 | 0000 0000                          | 0000 0000  | uuuu uuuu                       |
| CCPR3H   | PIC18F6XK90        | PIC18F8XK90 | xxxx xxxx                          | uuuu uuuu  | uuuu uuuu                       |
| CCPR3L   | PIC18F6XK90        | PIC18F8XK90 | xxxx xxxx                          | uuuu uuuu  | uuuu uuuu                       |
| CCP3CON  | PIC18F6XK90        | PIC18F8XK90 | 0000 0000                          | 0000 0000  | uuuu uuuu                       |
| CCPR8H   | PIC18F6XK90        | PIC18F8XK90 | xxxx xxxx                          | uuuu uuuu  | uuuu uuuu                       |
| CCPR8L   | PIC18F6XK90        | PIC18F8XK90 | xxxx xxxx                          | uuuu uuuu  | uuuu uuuu                       |
| CCP8CON  | PIC18F6XK90        | PIC18F8XK90 | --00 0000                          | --00 0000  | --uu uuuu                       |
| CCPR9H   | PIC18F6XK90        | PIC18F8XK90 | xxxx xxxx                          | uuuu uuuu  | uuuu uuuu                       |
| CCPR9L   | PIC18F6XK90        | PIC18F8XK90 | xxxx xxxx                          | uuuu uuuu  | uuuu uuuu                       |
| CCP9CON  | PIC18F6XK90        | PIC18F8XK90 | --00 0000                          | --00 0000  | --uu uuuu                       |
| CCPR10H  | PIC18F6XK90        | PIC18F8XK90 | xxxx xxxx                          | uuuu uuuu  | uuuu uuuu                       |

**Legend:** u = unchanged, x = unknown, - = unimplemented bit, read as '0', q = value depends on condition.  
Shaded cells indicate conditions do not apply for the designated device.

**Note 1:** When the wake-up is due to an interrupt, and the GIEL or GIEH bit is set, the TOSU, TOSH and TOSL are updated with the current value of the PC. The STKPTR is modified to point to the next location in the hardware stack.

**2:** When the wake-up is due to an interrupt and the GIEL or GIEH bit is set, the PC is loaded with the interrupt vector (0008h or 0018h).

**3:** One or more bits in the INTCONx or PIRx registers will be affected (to cause wake-up).

**4:** See [Table 5-1](#) for the Reset value for a specific condition.



# PIC18F87K90 FAMILY

**TABLE 5-2: INITIALIZATION CONDITIONS FOR ALL REGISTERS (CONTINUED)**

| Register | Applicable Devices |             | Power-on Reset,<br>Brown-out Reset | MCLR Resets,<br>WDT Reset,<br>RESET Instruction,<br>Stack Resets,<br>CM Resets | Wake-up via WDT<br>or Interrupt |
|----------|--------------------|-------------|------------------------------------|--|---------------------------------|
| CCPR10L  | PIC18F6XK90        | PIC18F8XK90 | xxxx xxxx                          | uuuu uuuu  | uuuu uuuu                       |
| CCP10CON | PIC18F6XK90        | PIC18F8XK90 | --00 0000                          | --00 0000  | --uu uuuu                       |
| TMR7H    | PIC18F6XK90        | PIC18F8XK90 | xxxx xxxx                          | uuuu uuuu  | uuuu uuuu                       |
| TMR7L    | PIC18F6XK90        | PIC18F8XK90 | xxxx xxxx                          | uuuu uuuu  | uuuu uuuu                       |
| T7CON    | PIC18F6XK90        | PIC18F8XK90 | 0000 0000                          | uuuu uuuu  | uuuu -uuu                       |
| T7GCON   | PIC18F6XK90        | PIC18F8XK90 | 0000 0x00                          | 0000 0x00  | uuuu uuuu                       |
| TMR6     | PIC18F6XK90        | PIC18F8XK90 | 0000 0000                          | 0000 0000  | uuuu uuuu                       |
| PR6      | PIC18F6XK90        | PIC18F8XK90 | 1111 1111                          | 1111 1111  | uuuu uuuu                       |
| T6CON    | PIC18F6XK90        | PIC18F8XK90 | -000 0000                          | -000 0000  | -uuu uuuu                       |
| TMR8     | PIC18F6XK90        | PIC18F8XK90 | 0000 0000                          | 0000 0000  | uuuu uuuu                       |
| PR8      | PIC18F6XK90        | PIC18F8XK90 | 1111 1111                          | 1111 1111  | uuuu uuuu                       |
| T8CON    | PIC18F6XK90        | PIC18F8XK90 | -000 0000                          | -000 0000  | -uuu uuuu                       |
| TMR10    | PIC18F6XK90        | PIC18F8XK90 | 0000 0000                          | 0000 0000  | uuuu uuuu                       |
| PR10     | PIC18F6XK90        | PIC18F8XK90 | 1111 1111                          | 1111 1111  | uuuu uuuu                       |
| T10CON   | PIC18F6XK90        | PIC18F8XK90 | -000 0000                          | -000 0000  | -uuu uuuu                       |
| TMR12    | PIC18F6XK90        | PIC18F8XK90 | 0000 0000                          | 0000 0000  | uuuu uuuu                       |
| PR12     | PIC18F6XK90        | PIC18F8XK90 | 1111 1111                          | 1111 1111  | uuuu uuuu                       |
| T12CON   | PIC18F6XK90        | PIC18F8XK90 | -000 0000                          | -000 0000  | -uuu uuuu                       |
| CM2CON   | PIC18F6XK90        | PIC18F8XK90 | 0001 1111                          | 0001 1111  | uuuu uuuu                       |
| CM3CON   | PIC18F6XK90        | PIC18F8XK90 | 0001 1111                          | 0001 1111  | uuuu uuuu                       |
| CCPTMRS0 | PIC18F6XK90        | PIC18F8XK90 | 0000 0000                          | uuuu uuuu  | uuuu uuuu                       |
| CCPTMRS1 | PIC18F6XK90        | PIC18F8XK90 | 00-0 -000                          | uu-u -uuu  | uu-u -uuu                       |
| CCPTMRS2 | PIC18F6XK90        | PIC18F8XK90 | ---0 -000                          | ---u -uuu  | ---u -uuu                       |
| REFOCON  | PIC18F6XK90        | PIC18F8XK90 | 0-00 0000                          | u-uu uuuu  | u-uu uuuu                       |
| ODCON1   | PIC18F6XK90        | PIC18F8XK90 | 000- ---0                          | uuu- ---u  | uuu- ---u                       |
| ODCON2   | PIC18F6XK90        | PIC18F8XK90 | 0000 0000                          | uuuu uuuu  | uuuu uuuu                       |
| ODCON3   | PIC18F6XK90        | PIC18F8XK90 | 00-- ---0                          | uu-- ---u  | uu-- ---u                       |
| ANCON0   | PIC18F6XK90        | PIC18F8XK90 | 1111 1111                          | uuuu uuuu  | uuuu uuuu                       |
| ANCON1   | PIC18F6XK90        | PIC18F8XK90 | 1111 1111                          | uuuu uuuu  | uuuu uuuu                       |
| ANCON2   | PIC18F6XK90        | PIC18F8XK90 | 1111 1111                          | uuuu uuuu  | uuuu uuuu                       |
| RCSTA2   | PIC18F6XK90        | PIC18F8XK90 | 0000 000x                          | 0000 000x  | uuuu uuuu                       |
| TXSTA2   | PIC18F6XK90        | PIC18F8XK90 | 0000 0010                          | 0000 0010  | uuuu uuuu                       |
| BAUDCON2 | PIC18F6XK90        | PIC18F8XK90 | 0100 0-00                          | 0100 0-00  | uuuu u-uu                       |

**Legend:** u = unchanged, x = unknown, - = unimplemented bit, read as '0', q = value depends on condition.  
Shaded cells indicate conditions do not apply for the designated device.

**Note 1:** When the wake-up is due to an interrupt, and the GIEL or GIEH bit is set, the TOSU, TOSH and TOSL are updated with the current value of the PC. The STKPTR is modified to point to the next location in the hardware stack.

**2:** When the wake-up is due to an interrupt and the GIEL or GIEH bit is set, the PC is loaded with the interrupt vector (0008h or 0018h).

**3:** One or more bits in the INTCONx or PIRx registers will be affected (to cause wake-up).

**4:** See [Table 5-1](#) for the Reset value for a specific condition.

# PIC18F87K90 FAMILY

**TABLE 5-2: INITIALIZATION CONDITIONS FOR ALL REGISTERS (CONTINUED)**

| Register | Applicable Devices |             | Power-on Reset,<br>Brown-out Reset | MCLR Resets,<br>WDT Reset,<br>RESET Instruction,<br>Stack Resets,<br>CM Resets | Wake-up via WDT<br>or Interrupt |
|----------|--------------------|-------------|------------------------------------|--|---------------------------------|
| SPBRGH2  | PIC18F6XK90        | PIC18F8XK90 | 0000 0000                          | 0000 0000  | uuuu uuuu                       |
| SPBRG2   | PIC18F6XK90        | PIC18F8XK90 | 0000 0000                          | 0000 0000  | uuuu uuuu                       |
| RCREG2   | PIC18F6XK90        | PIC18F8XK90 | 0000 0000                          | 0000 0000  | uuuu uuuu                       |
| TXREG2   | PIC18F6XK90        | PIC18F8XK90 | 0000 0000                          | 0000 0000  | uuuu uuuu                       |
| PSTR2CON | PIC18F6XK90        | PIC18F8XK90 | 00-0 0001                          | 00-0 0001  | uu-u uuuu                       |
| PSTR3CON | PIC18F6XK90        | PIC18F8XK90 | 00-0 0001                          | 00-0 0001  | uu-u uuuu                       |
| PMD0     | PIC18F6XK90        | PIC18F8XK90 | 0000 0000                          | 0000 0000  | uuuu uuuu                       |
| PMD1     | PIC18F6XK90        | PIC18F8XK90 | -000 000-                          | -000 000-  | -uuu uuu-                       |
| PMD2     | PIC18F6XK90        | PIC18F8XK90 | 0000 0000                          | 0000 0000  | uuuu uuuu                       |
| PMD3     | PIC18F6XK90        | PIC18F8XK90 | 0000 0000                          | 0000 0000  | uuuu uuuu                       |
| TMR5H    | PIC18F6XK90        | PIC18F8XK90 | xxxx xxxx                          | uuuu uuuu  | uuuu uuuu                       |
| TMR5L    | PIC18F6XK90        | PIC18F8XK90 | xxxx xxxx                          | uuuu uuuu  | uuuu uuuu                       |
| T5CON    | PIC18F6XK90        | PIC18F8XK90 | 0000 0000                          | uuuu uuuu  | uuuu uuuu                       |
| T5GCON   | PIC18F6XK90        | PIC18F8XK90 | 0000 0x00                          | 0000 0x00  | uuuu uuuu                       |
| CCPR4H   | PIC18F6XK90        | PIC18F8XK90 | xxxx xxxx                          | uuuu uuuu  | uuuu uuuu                       |
| CCPR4L   | PIC18F6XK90        | PIC18F8XK90 | xxxx xxxx                          | uuuu uuuu  | uuuu uuuu                       |
| CCP4CON  | PIC18F6XK90        | PIC18F8XK90 | --00 0000                          | --00 0000  | --uu uuuu                       |
| CCPR5H   | PIC18F6XK90        | PIC18F8XK90 | xxxx xxxx                          | uuuu uuuu  | uuuu uuuu                       |
| CCPR5L   | PIC18F6XK90        | PIC18F8XK90 | xxxx xxxx                          | uuuu uuuu  | uuuu uuuu                       |
| CCP5CON  | PIC18F6XK90        | PIC18F8XK90 | --00 0000                          | --00 0000  | --uu uuuu                       |
| CCPR6H   | PIC18F6XK90        | PIC18F8XK90 | xxxx xxxx                          | uuuu uuuu  | uuuu uuuu                       |
| CCPR6L   | PIC18F6XK90        | PIC18F8XK90 | xxxx xxxx                          | uuuu uuuu  | uuuu uuuu                       |
| CCP6CON  | PIC18F6XK90        | PIC18F8XK90 | --00 0000                          | --00 0000  | --uu uuuu                       |
| CCPR7H   | PIC18F6XK90        | PIC18F8XK90 | xxxx xxxx                          | uuuu uuuu  | uuuu uuuu                       |
| CCPR7L   | PIC18F6XK90        | PIC18F8XK90 | xxxx xxxx                          | uuuu uuuu  | uuuu uuuu                       |
| CCP7CON  | PIC18F6XK90        | PIC18F8XK90 | --00 0000                          | --00 0000  | --uu uuuu                       |
| TMR4     | PIC18F6XK90        | PIC18F8XK90 | 0000 0000                          | 0000 0000  | uuuu uuuu                       |
| PR4      | PIC18F6XK90        | PIC18F8XK90 | 1111 1111                          | uuuu uuuu  | uuuu uuuu                       |
| T4CON    | PIC18F6XK90        | PIC18F8XK90 | -000 0000                          | -000 0000  | -uuu uuuu                       |
| SSP2BUF  | PIC18F6XK90        | PIC18F8XK90 | xxxx xxxx                          | uuuu uuuu  | uuuu uuuu                       |
| SSP2ADD  | PIC18F6XK90        | PIC18F8XK90 | 0000 0000                          | 0000 0000  | uuuu uuuu                       |
| SSP2STAT | PIC18F6XK90        | PIC18F8XK90 | 0000 0000                          | 0000 0000  | uuuu uuuu                       |
| SSP2CON1 | PIC18F6XK90        | PIC18F8XK90 | 0000 0000                          | 0000 0000  | uuuu uuuu                       |

**Legend:** u = unchanged, x = unknown, - = unimplemented bit, read as '0', q = value depends on condition.  
Shaded cells indicate conditions do not apply for the designated device.

**Note 1:** When the wake-up is due to an interrupt, and the GIEL or GIEH bit is set, the TOSU, TOSH and TOSL are updated with the current value of the PC. The STKPTR is modified to point to the next location in the hardware stack.

**2:** When the wake-up is due to an interrupt and the GIEL or GIEH bit is set, the PC is loaded with the interrupt vector (0008h or 0018h).

**3:** One or more bits in the INTCONx or PIRx registers will be affected (to cause wake-up).

**4:** See [Table 5-1](#) for the Reset value for a specific condition.

# PIC18F87K90 FAMILY

**TABLE 5-2: INITIALIZATION CONDITIONS FOR ALL REGISTERS (CONTINUED)**

| Register | Applicable Devices |             | Power-on Reset,<br>Brown-out Reset | MCLR Resets,<br>WDT Reset,<br>RESET Instruction,<br>Stack Resets,<br>CM Resets | Wake-up via WDT<br>or Interrupt |
|----------|--------------------|-------------|------------------------------------|--|---------------------------------|
| SSP2CON2 | PIC18F6XK90        | PIC18F8XK90 | 0000 0000                          | 0000 0000  | uuuu uuuu                       |
| LCDREF   | PIC18F6XK90        | PIC18F8XK90 | 0000 0000                          | 0000 0000  | uuuu uuuu                       |
| LCDRL    | PIC18F6XK90        | PIC18F8XK90 | 0000 -000                          | 0000 -000  | uuuu -uuu                       |
| LCDSE5   | PIC18F6XK90        | PIC18F8XK90 | 0000 0000                          | 0000 0000  | uuuu uuuu                       |
| LCDSE4   | PIC18F6XK90        | PIC18F8XK90 | ---- --0                           | ---- --u   | ---- --u                        |
| LCDSE4   | PIC18F6XK90        | PIC18F8XK90 | 0000 0000                          | uuuu uuuu  | uuuu uuuu                       |
| LCDSE3   | PIC18F6XK90        | PIC18F8XK90 | 0000 0000                          | uuuu uuuu  | uuuu uuuu                       |
| LCDSE2   | PIC18F6XK90        | PIC18F8XK90 | 0000 0000                          | uuuu uuuu  | uuuu uuuu                       |
| LCDSE1   | PIC18F6XK90        | PIC18F8XK90 | 0000 0000                          | uuuu uuuu  | uuuu uuuu                       |
| LCDSE0   | PIC18F6XK90        | PIC18F8XK90 | 0000 0000                          | uuuu uuuu  | uuuu uuuu                       |
| LCDPS    | PIC18F6XK90        | PIC18F8XK90 | 0000 0000                          | 0000 0000  | uuuu uuuu                       |
| LCDCON   | PIC18F6XK90        | PIC18F8XK90 | 000- 0000                          | 000- 0000  | uuu- uuuu                       |

**Legend:** u = unchanged, x = unknown, - = unimplemented bit, read as '0', q = value depends on condition.  
Shaded cells indicate conditions do not apply for the designated device.

- Note 1:** When the wake-up is due to an interrupt, and the GIEL or GIEH bit is set, the TOSU, TOSH and TOSL are updated with the current value of the PC. The STKPTR is modified to point to the next location in the hardware stack.
- 2:** When the wake-up is due to an interrupt and the GIEL or GIEH bit is set, the PC is loaded with the interrupt vector (0008h or 0018h).
- 3:** One or more bits in the INTCONx or PIRx registers will be affected (to cause wake-up).
- 4:** See [Table 5-1](#) for the Reset value for a specific condition.

# PIC18F87K90 FAMILY

---

NOTES:

# PIC18F87K90 FAMILY

## 6.0 MEMORY ORGANIZATION

PIC18F87K90 family devices have these types of memory:

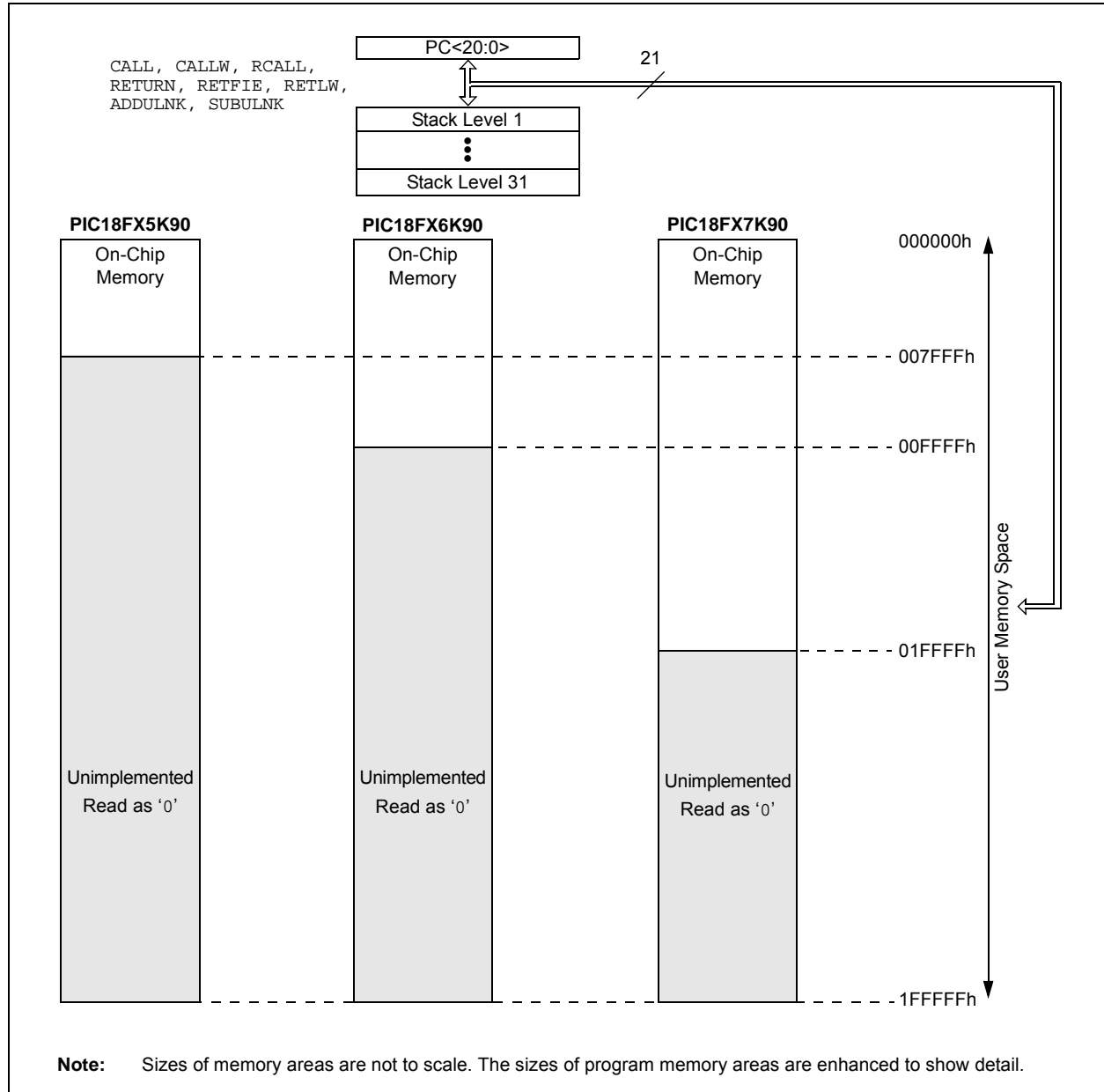
- Program Memory
- Data RAM
- Data EEPROM

As Harvard architecture devices, the data and program memories use separate busses. This enables concurrent access of the two memory spaces.

The data EEPROM, for practical purposes, can be regarded as a peripheral device because it is addressed and accessed through a set of control registers.

Additional detailed information on the operation of the Flash program memory is provided in **Section 7.0 “Flash Program Memory”**. The data EEPROM is discussed separately in **Section 8.0 “Data EEPROM Memory”**.

**FIGURE 6-1: MEMORY MAPS FOR PIC18F87K90 FAMILY DEVICES**



# PIC18F87K90 FAMILY

## 6.1 Program Memory Organization

PIC18 microcontrollers implement a 21-bit Program Counter that is capable of addressing a 2-Mbyte program memory space. Accessing a location between the upper boundary of the physically implemented memory and the 2-Mbyte address will return all '0's (a NOP instruction).

The entire PIC18F87K90 family offers a range of on-chip Flash program memory sizes, from 32 Kbytes (up to 16,384 single-word instructions) to 128 Kbytes (65,536 single-word instructions).

- PIC18F65K90 and PIC18F85K90 – 32 Kbytes of Flash memory, storing up to 16,384 single-word instructions
- PIC18F66K90 and PIC18F86K90 – 64 Kbytes of Flash memory, storing up to 32,768 single-word instructions
- PIC18F67K90 and PIC18F87K90 – 128 Kbytes of Flash memory, storing up to 65,536 single-word instructions

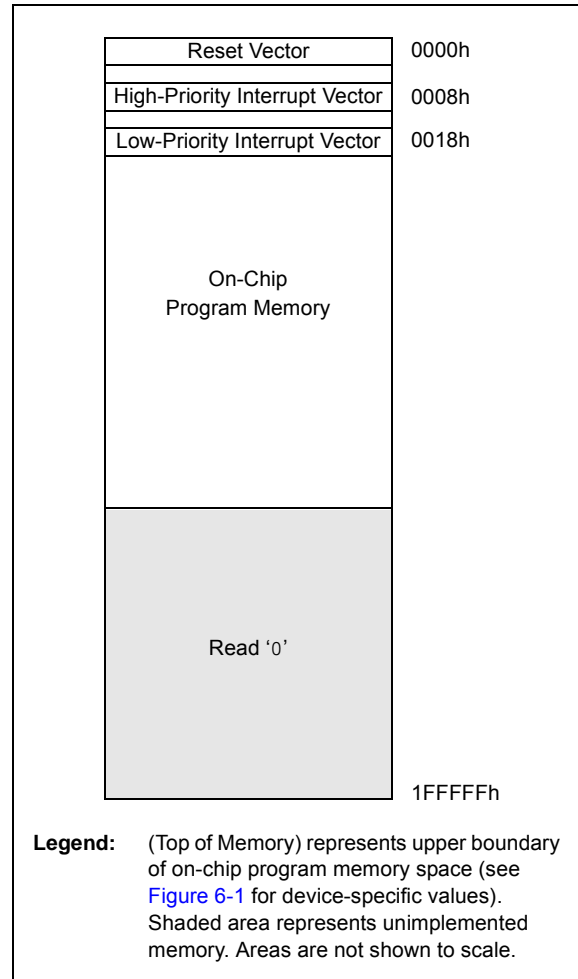
The program memory maps for individual family members are shown in [Figure 6-1](#).

### 6.1.1 HARD MEMORY VECTORS

All PIC18 devices have a total of three hard-coded return vectors in their program memory space. The Reset vector address is the default value to which the Program Counter returns on all device Resets; it is located at 0000h.

PIC18 devices also have two interrupt vector addresses for handling high-priority and low-priority interrupts. The high-priority interrupt vector is located at 0008h and the low-priority interrupt vector is at 0018h. The locations of these vectors are shown, in relation to the program memory map, in [Figure 6-2](#).

**FIGURE 6-2: HARD VECTOR FOR PIC18F87K90 FAMILY DEVICES**



## 6.1.2 PROGRAM COUNTER

The Program Counter (PC) specifies the address of the instruction to fetch for execution. The PC is 21 bits wide and contained in three separate 8-bit registers.

The low byte, known as the PCL register, is both readable and writable. The high byte, or PCH register, contains the PC<15:8> bits and is not directly readable or writable. Updates to the PCH register are performed through the PCLATH register. The upper byte is called PCU. This register contains the PC<20:16> bits; it is also not directly readable or writable. Updates to the PCU register are performed through the PCLATU register.

The contents of PCLATH and PCLATU are transferred to the Program Counter by any operation that writes PCL. Similarly, the upper two bytes of the Program Counter are transferred to PCLATH and PCLATU by an operation that reads PCL. This is useful for computed offsets to the PC (see [Section 6.1.5.1 “Computed GOTO”](#)).

The PC addresses bytes in the program memory. To prevent the PC from becoming misaligned with word instructions, the Least Significant bit (LSb) of PCL is fixed to a value of ‘0’. The PC increments by two to address sequential instructions in the program memory.

The CALL, RCALL, GOTO and program branch instructions write to the Program Counter directly. For these instructions, the contents of PCLATH and PCLATU are not transferred to the Program Counter.

## 6.1.3 RETURN ADDRESS STACK

The return address stack enables execution of any combination of up to 31 program calls and interrupts. The PC is pushed onto the stack when a CALL or RCALL instruction is executed, or an interrupt is Acknowledged. The PC value is pulled off the stack on a RETURN, RETLW or a RETFIE instruction. The value also is pulled off the stack on ADDULNK and SUBULNK instructions, if the extended instruction set is enabled. PCLATU and PCLATH are not affected by any of the RETURN or CALL instructions.

The stack operates as a 31-word by 21-bit RAM and a 5-bit Stack Pointer, STKPTR. The stack space is not part of either program or data space. The Stack Pointer is readable and writable and the address on the top of the stack is readable and writable through the Top-of-Stack Special Function Registers. Data can also be pushed to, or popped from the stack, using these registers.

A CALL type instruction causes a push onto the stack. The Stack Pointer is first incremented and the location pointed to by the Stack Pointer is written with the contents of the PC (already pointing to the instruction following the CALL). A RETURN type instruction causes a pop from the stack. The contents of the location pointed to by the STKPTR are transferred to the PC and then the Stack Pointer is decremented.

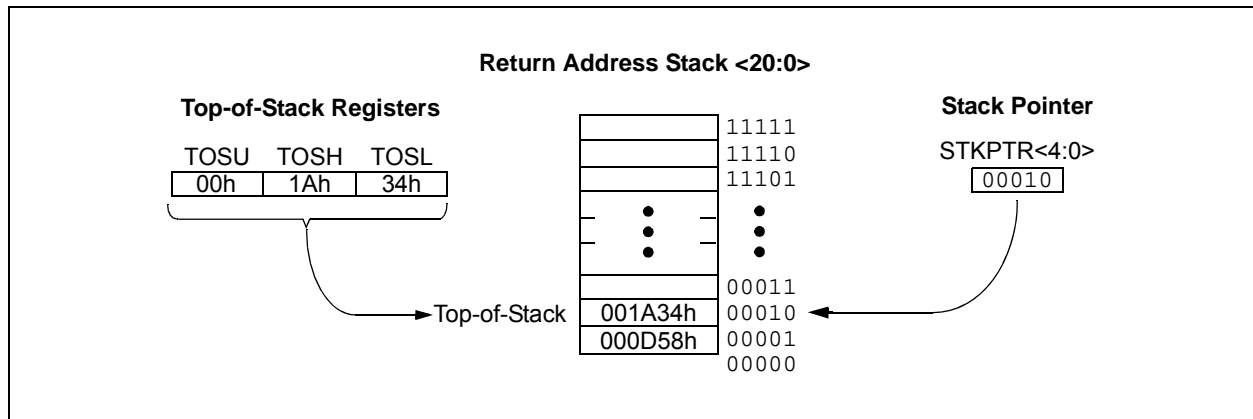
The Stack Pointer is initialized to ‘00000’ after all Resets. There is no RAM associated with the location corresponding to a Stack Pointer value of ‘00000’; this is only a Reset value. Status bits indicate if the stack is full, has overflowed or has underflowed.

### 6.1.3.1 Top-of-Stack Access

Only the top of the return address stack (TOS) is readable and writable. A set of three registers, TOSU:TOSH:TOSL, holds the contents of the stack location pointed to by the STKPTR register ([Figure 6-3](#)). This allows users to implement a software stack, if necessary. After a CALL, RCALL or interrupt (or ADDULNK and SUBULNK instructions, if the extended instruction set is enabled), the software can read the pushed value by reading the TOSU:TOSH:TOSL registers. These values can be placed on a user-defined software stack. At return time, the software can return these values to TOSU:TOSH:TOSL and do a return.

While accessing the stack, users must disable the Global Interrupt Enable bits to prevent inadvertent stack corruption.

**FIGURE 6-3: RETURN ADDRESS STACK AND ASSOCIATED REGISTERS**



# PIC18F87K90 FAMILY

## 6.1.3.2 Return Stack Pointer (STKPTR)

The STKPTR register (Register 6-1) contains the Stack Pointer value, the STKFUL (Stack Full) status bit and the STKUNF (Stack Underflow) status bits. The value of the Stack Pointer can be 0 through 31. The Stack Pointer increments before values are pushed onto the stack and decrements after values are popped off the stack. On Reset, the Stack Pointer value will be zero.

The user may read and write the Stack Pointer value. This feature can be used by a Real-Time Operating System (RTOS) for return stack maintenance.

After the PC is pushed onto the stack 31 times (without popping any values off the stack), the STKFUL bit is set. The STKFUL bit is cleared by software or by a POR.

What happens when the stack becomes full depends on the state of the STVREN (Stack Overflow Reset Enable) Configuration bit. (For a description of the device Configuration bits, see Section 28.1 “Configuration Bits”.) If STVREN is set (default), the 31st push will push the (PC + 2) value onto the stack, set the STKFUL bit and reset the device. The STKFUL bit will remain set and the Stack Pointer will be set to zero.

If STVREN is cleared, the STKFUL bit will be set on the 31st push and the Stack Pointer will increment to 31. Any additional pushes will not overwrite the 31st push and the STKPTR will remain at 31.

When the stack has been popped enough times to unload the stack, the next pop will return a value of zero to the PC and sets the STKUNF bit while the Stack Pointer remains at zero. The STKUNF bit will remain set until cleared by software or until a POR occurs.

**Note:** Returning a value of zero to the PC on an underflow has the effect of vectoring the program to the Reset vector, where the stack conditions can be verified and appropriate actions can be taken. This is not the same as a Reset, as the contents of the SFRs are not affected.

## 6.1.3.3 PUSH and POP Instructions

Since the Top-of-Stack is readable and writable, the ability to push values onto the stack and pull values off the stack, without disturbing normal program execution, is a desirable feature. The PIC18 instruction set includes two instructions, PUSH and POP, that permit the TOS to be manipulated under software control. TOSU, TOSH and TOSL can be modified to place data or a return address on the stack.

The PUSH instruction places the current PC value onto the stack. This increments the Stack Pointer and loads the current PC value onto the stack.

The POP instruction discards the current TOS by decrementing the Stack Pointer. The previous value pushed onto the stack then becomes the TOS value.

**REGISTER 6-1: STKPTR: STACK POINTER REGISTER**

|                       |                       |     |       |       |       |       |       |
|-----------------------|-----------------------|-----|-------|-------|-------|-------|-------|
| R/C-0                 | R/C-0                 | U-0 | R/W-0 | R/W-0 | R/W-0 | R/W-0 | R/W-0 |
| STKFUL <sup>(1)</sup> | STKUNF <sup>(1)</sup> | —   | SP4   | SP3   | SP2   | SP1   | SP0   |
| bit 7                 |                       |     |       |       |       |       | bit 0 |

|                   |                   |                                    |
|-------------------|-------------------|------------------------------------|
| <b>Legend:</b>    | C = Clearable bit | U = Unimplemented bit, read as '0' |
| R = Readable bit  | W = Writable bit  | '0' = Bit is cleared               |
| -n = Value at POR | '1' = Bit is set  | x = Bit is unknown                 |

- bit 7      **STKFUL:** Stack Full Flag bit<sup>(1)</sup>  
             1 = Stack became full or overflowed  
             0 = Stack has not become full or overflowed
- bit 6      **STKUNF:** Stack Underflow Flag bit<sup>(1)</sup>  
             1 = Stack underflow occurred  
             0 = Stack underflow did not occur
- bit 5      **Unimplemented:** Read as '0'
- bit 4-0    **SP<4:0>:** Stack Pointer Location bits

**Note 1:** Bit 7 and bit 6 are cleared by user software or by a POR.



## 6.1.3.4 Stack Full and Underflow Resets

Device Resets on stack overflow and stack underflow conditions are enabled by setting the STVREN bit (CONFIG4L<0>). When STVREN is set, a full or underflow condition will set the appropriate STKFUL or STKUNF bit and then cause a device Reset. When STVREN is cleared, a full or underflow condition will set the appropriate STKFUL or STKUNF bit, but not cause a device Reset. The STKFUL or STKUNF bits are cleared by the user software or a Power-on Reset.

## 6.1.4 FAST REGISTER STACK

A Fast Register Stack is provided for the STATUS, WREG and BSR registers to provide a “fast return” option for interrupts. This stack is only one level deep and is neither readable nor writable. It is loaded with the current value of the corresponding register when the processor vectors for an interrupt. All interrupt sources will push values into the Stack registers. The values in the registers are then loaded back into the working registers if the RETFIE, FAST instruction is used to return from the interrupt.

If both low and high-priority interrupts are enabled, the Stack registers cannot be used reliably to return from low-priority interrupts. If a high-priority interrupt occurs while servicing a low-priority interrupt, the Stack register values stored by the low-priority interrupt will be overwritten. In these cases, users must save the key registers in software during a low-priority interrupt.

If interrupt priority is not used, all interrupts may use the Fast Register Stack for returns from interrupt. If no interrupts are used, the Fast Register Stack can be used to restore the STATUS, WREG and BSR registers at the end of a subroutine call. To use the Fast Register Stack for a subroutine call, a CALL label, FAST instruction must be executed to save the STATUS, WREG and BSR registers to the Fast Register Stack. A RETURN, FAST instruction is then executed to restore these registers from the Fast Register Stack.

Example 6-1 shows a source code example that uses the Fast Register Stack during a subroutine call and return.

### EXAMPLE 6-1: FAST REGISTER STACK CODE EXAMPLE

```
CALL SUB1, FAST      ;STATUS, WREG, BSR
                    ;SAVED IN FAST REGISTER
                    ;STACK
    .
    .
SUB1    .
    .
RETURN FAST        ;RESTORE VALUES SAVED
                    ;IN FAST REGISTER STACK
```

## 6.1.5 LOOK-UP TABLES IN PROGRAM MEMORY

There may be programming situations that require the creation of data structures, or look-up tables, in program memory. For PIC18 devices, look-up tables can be implemented in two ways:

- Computed GOTO
- Table Reads

### 6.1.5.1 Computed GOTO

A computed GOTO is accomplished by adding an offset to the Program Counter. An example is shown in Example 6-2.

A look-up table can be formed with an ADDWF PCL instruction and a group of RETLW nn instructions. The W register is loaded with an offset into the table before executing a call to that table. The first instruction of the called routine is the ADDWF PCL instruction. The next instruction executed will be one of the RETLW nn instructions that returns the value, ‘nn’, to the calling function.

The offset value (in WREG) specifies the number of bytes that the Program Counter should advance and should be multiples of two (LSb = 0).

In this method, only one data byte may be stored in each instruction location and room on the return address stack is required.

### EXAMPLE 6-2: COMPUTED GOTO USING AN OFFSET VALUE

```
MOVWF OFFSET, W
CALL TABLE
ORG nn00h
TABLE ADDWF PCL
      RETLW nnh
      RETLW nnh
      RETLW nnh
      .
      .
      .
```

### 6.1.5.2 Table Reads

A better method of storing data in program memory allows two bytes of data to be stored in each instruction location.

Look-up table data may be stored, two bytes per program word, while programming. The Table Pointer (TBLPTR) specifies the byte address and the Table Latch (TABLAT) contains the data that is read from the program memory. Data is transferred from program memory, one byte at a time.

The table read operation is discussed further in Section 7.1 “Table Reads and Table Writes”.

# PIC18F87K90 FAMILY

## 6.2 PIC18 Instruction Cycle

### 6.2.1 CLOCKING SCHEME

The microcontroller clock input, whether from an internal or external source, is internally divided by four to generate four non-overlapping, quadrature clocks (Q1, Q2, Q3 and Q4). Internally, the Program Counter is incremented on every Q1, with the instruction fetched from the program memory and latched into the Instruction Register (IR) during Q4.

The instruction is decoded and executed during the following Q1 through Q4. The clocks and instruction execution flow are shown in Figure 6-4.

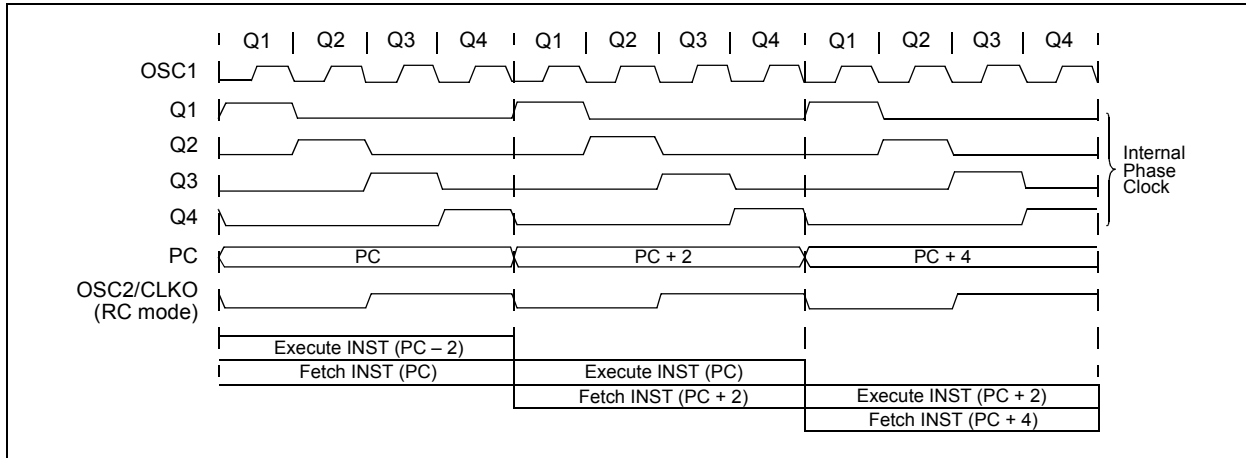
### 6.2.2 INSTRUCTION FLOW/PIPELINING

An "Instruction Cycle" consists of four Q cycles, Q1 through Q4. The instruction fetch and execute are pipelined in such a manner that a fetch takes one instruction cycle, while the decode and execute take another instruction cycle. However, due to the pipelining, each instruction effectively executes in one cycle. If an instruction (such as GOTO) causes the Program Counter to change, two cycles are required to complete the instruction. (See Example 6-3.)

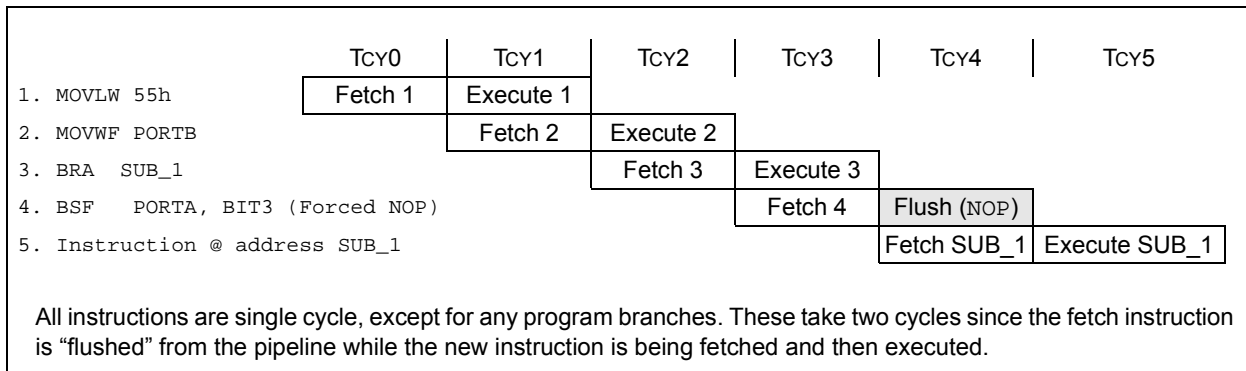
A fetch cycle begins with the Program Counter (PC) incrementing in Q1.

In the execution cycle, the fetched instruction is latched into the Instruction Register (IR) in cycle Q1. This instruction is then decoded and executed during the Q2, Q3 and Q4 cycles. Data memory is read during Q2 (operand read) and written during Q4 (destination write).

**FIGURE 6-4: CLOCK/INSTRUCTION CYCLE**



**EXAMPLE 6-3: INSTRUCTION PIPELINE FLOW**



# PIC18F87K90 FAMILY

## 6.2.3 INSTRUCTIONS IN PROGRAM MEMORY

The program memory is addressed in bytes. Instructions are stored as two or four bytes in program memory. The Least Significant Byte (LSB) of an instruction word is always stored in a program memory location with an even address (LSB = 0). To maintain alignment with instruction boundaries, the PC increments in steps of two and the LSB will always read '0' (see [Section 6.1.2 "Program Counter"](#)).

[Figure 6-5](#) shows an example of how instruction words are stored in the program memory.

The CALL and GOTO instructions have the absolute program memory address embedded into the instruction. Since instructions are always stored on word boundaries, the data contained in the instruction is a word address. The word address is written to PC<20:1> which accesses the desired byte address in program memory. Instruction #2 in [Figure 6-5](#) shows how the instruction, GOTO 0006h, is encoded in the program memory. Program branch instructions, which encode a relative address offset, operate in the same manner. The offset value stored in a branch instruction represents the number of single-word instructions that the PC will be offset by. For more details on the instruction set, see [Section 29.0 "Instruction Set Summary"](#).

**FIGURE 6-5: INSTRUCTIONS IN PROGRAM MEMORY**

| Program Memory<br>Byte Locations → |       |            | Word Address |         |         |
|------------------------------------|-------|------------|--------------|---------|---------|
|                                    |       |            | LSB = 1      | LSB = 0 |         |
|                                    |       |            |              | 000000h |         |
|                                    |       |            |              | 000002h |         |
|                                    |       |            |              | 000004h |         |
|                                    |       |            |              | 000006h |         |
| Instruction 1:                     | MOVLW | 055h       | 0Fh          | 55h     | 000008h |
| Instruction 2:                     | GOTO  | 0006h      | EFh          | 03h     | 00000Ah |
|                                    |       |            | F0h          | 00h     | 00000Ch |
| Instruction 3:                     | MOVFF | 123h, 456h | C1h          | 23h     | 00000Eh |
|                                    |       |            | F4h          | 56h     | 000010h |
|                                    |       |            |              |         | 000012h |
|                                    |       |            |              |         | 000014h |

## 6.2.4 TWO-WORD INSTRUCTIONS

The standard PIC18 instruction set has four two-word instructions: CALL, MOVFF, GOTO and LSRF. In all cases, the second word of the instructions always has '1111' as its four Most Significant bits. The other 12 bits are literal data, usually a data memory address.

The use of '1111' in the 4 MSBs of an instruction specifies a special form of NOP. If the instruction is executed in proper sequence, immediately after the first word, the data in the second word is accessed and

used by the instruction sequence. If the first word is skipped for some reason, and the second word is executed by itself, a NOP is executed instead. This is necessary for cases when the two-word instruction is preceded by a conditional instruction that changes the PC. [Example 6-4](#) shows how this works.

**Note:** For information on two-word instructions in the extended instruction set, see [Section 6.5 "Program Memory and the Extended Instruction Set"](#).

**EXAMPLE 6-4: TWO-WORD INSTRUCTIONS**

| CASE 1:             |             |                                     |
|---------------------|-------------|-------------------------------------|
| Object Code         | Source Code |                                     |
| 0110 0110 0000 0000 | TSTFSZ      | REG1 ; is RAM location 0?           |
| 1100 0001 0010 0011 | MOVFF       | REG1, REG2 ; No, skip this word     |
| 1111 0100 0101 0110 |             | ; Execute this word as a NOP        |
| 0010 0100 0000 0000 | ADDWF       | REG3 ; continue code                |
| CASE 2:             |             |                                     |
| Object Code         | Source Code |                                     |
| 0110 0110 0000 0000 | TSTFSZ      | REG1 ; is RAM location 0?           |
| 1100 0001 0010 0011 | MOVFF       | REG1, REG2 ; Yes, execute this word |
| 1111 0100 0101 0110 |             | ; 2nd word of instruction           |
| 0010 0100 0000 0000 | ADDWF       | REG3 ; continue code                |

# PIC18F87K90 FAMILY

## 6.3 Data Memory Organization

**Note:** The operation of some aspects of data memory are changed when the PIC18 extended instruction set is enabled. See [Section 6.6 “Data Memory and the Extended Instruction Set”](#) for more information.

The data memory in PIC18 devices is implemented as static RAM. Each register in the data memory has a 12-bit address, allowing up to 4,096 bytes of data memory. The memory space is divided into as many as 16 banks that contain 256 bytes each. PIC18FX6K90 and PIC18FX7K90 devices implement all 16 complete banks, for a total of 4 Kbytes. PIC18FX5K90 devices implement only the first eight complete banks, for a total of 2 Kbytes.

[Figure 6-6](#) and [Figure 6-7](#) show the data memory organization for the devices.

The data memory contains Special Function Registers (SFRs) and General Purpose Registers (GPRs). The SFRs are used for control and status of the controller and peripheral functions, while GPRs are used for data storage and scratchpad operations in the user's application. Any read of an unimplemented location will read as '0's.

The instruction set and architecture allow operations across all banks. The entire data memory may be accessed by Direct, Indirect or Indexed Addressing modes. Addressing modes are discussed later in this section.

To ensure that commonly used registers (select SFRs and select GPRs) can be accessed in a single cycle, PIC18 devices implement an Access Bank. This is a 256-byte memory space that provides fast access to select SFRs and the lower portion of GPR Bank 0 without using the Bank Select Register. For details on the Access RAM, see [Section 6.3.2 “Access Bank”](#).

### 6.3.1 BANK SELECT REGISTER

Large areas of data memory require an efficient addressing scheme to make possible rapid access to any address. Ideally, this means that an entire address does not need to be provided for each read or write operation. For PIC18 devices, this is accomplished with a RAM banking scheme. This divides the memory space into 16 contiguous banks of 256 bytes. Depending on the instruction, each location can be addressed directly by its full 12-bit address, or an 8-bit, low-order address and a 4-bit Bank Pointer.

Most instructions in the PIC18 instruction set make use of the Bank Pointer, known as the Bank Select Register (BSR). This SFR holds the four Most Significant bits of a location's address. The instruction itself includes the eight Least Significant bits. Only the four lower bits of the BSR are implemented (BSR<3:0>). The upper four bits are unused, always read as '0' and cannot be written to. The BSR can be loaded directly by using the `MOVLB` instruction.

The value of the BSR indicates the bank in data memory. The eight bits in the instruction show the location in the bank and can be thought of as an offset from the bank's lower boundary. The relationship between the BSR's value and the bank division in data memory is shown in [Figure 6-7](#).

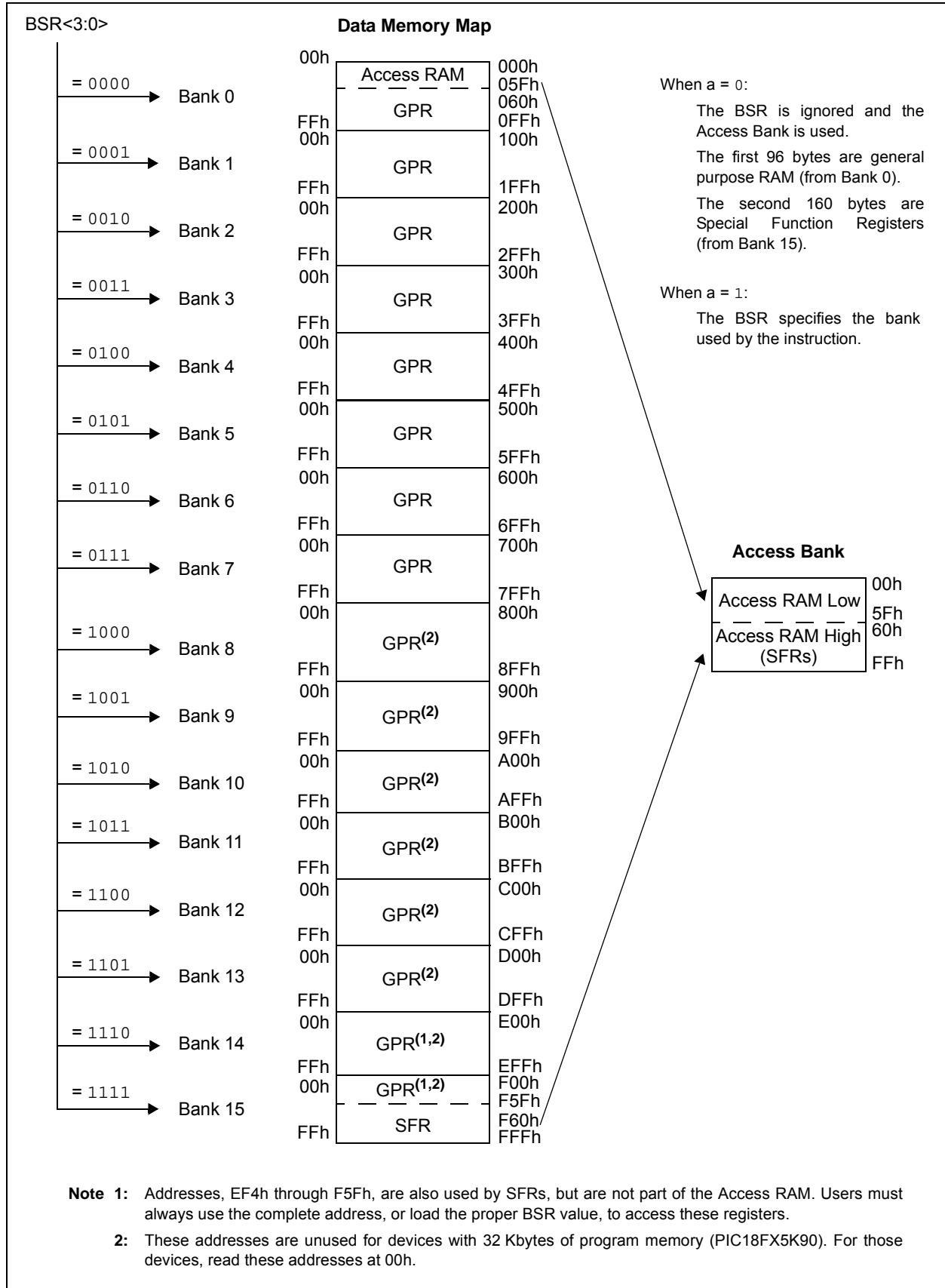
Since up to 16 registers may share the same low-order address, the user must always be careful to ensure that the proper bank is selected before performing a data read or write. For example, writing what should be program data to an 8-bit address of F9h while the BSR is 0Fh, will end up resetting the Program Counter.

While any bank can be selected, only those banks that are actually implemented can be read or written to. Writes to unimplemented banks are ignored, while reads from unimplemented banks will return '0's. Even so, the STATUS register will still be affected as if the operation was successful. The data memory map in [Figure 6-6](#) indicates which banks are implemented.

In the core PIC18 instruction set, only the `MOVFF` instruction fully specifies the 12-bit address of the source and target registers. When this instruction executes, it ignores the BSR completely. All other instructions include only the low-order address as an operand and must use either the BSR or the Access Bank to locate their target registers.

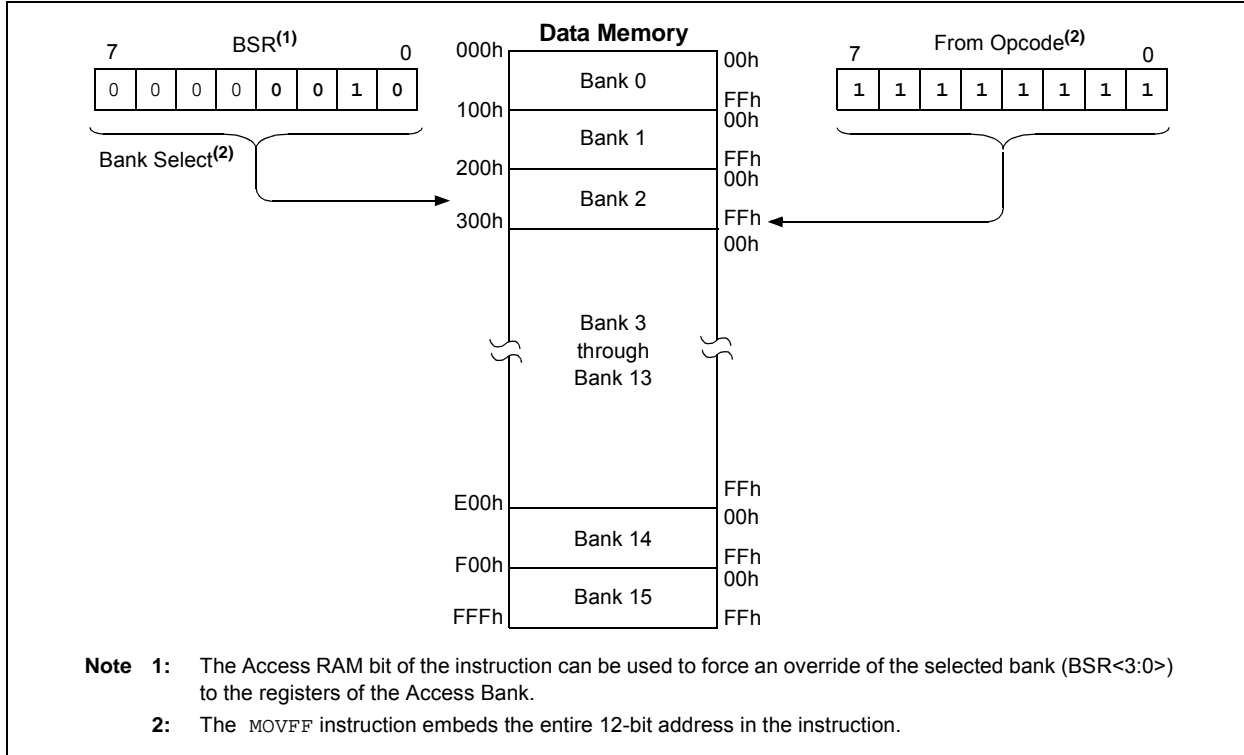
# PIC18F87K90 FAMILY

**FIGURE 6-6: DATA MEMORY MAP FOR PIC18FX5K90 AND PIC18FX7K90 DEVICES**



# PIC18F87K90 FAMILY

**FIGURE 6-7: USE OF THE BANK SELECT REGISTER (DIRECT ADDRESSING)**



## 6.3.2 ACCESS BANK

While the use of the BSR, with an embedded 8-bit address, allows users to address the entire range of data memory, it also means that the user must ensure that the correct bank is selected. If not, data may be read from, or written to, the wrong location. This can be disastrous if a GPR is the intended target of an operation, but an SFR is written to instead. But verifying and/or changing the BSR for each read or write to data memory can become very inefficient.

To streamline access for the most commonly used data memory locations, the data memory is configured with an Access Bank, which allows users to access a mapped block of memory without specifying a BSR. The Access Bank consists of the first 96 bytes of memory (00h-5Fh) in Bank 0 and the last 160 bytes of memory (60h-FFh) in Bank 15. The lower half is known as the “Access RAM” and is composed of GPRs. The upper half is where the device’s SFRs are mapped. These two areas are mapped contiguously in the Access Bank and can be addressed in a linear fashion by an 8-bit address (Figure 6-6).

The Access Bank is used by core PIC18 instructions that include the Access RAM bit (the ‘a’ parameter in the instruction). When ‘a’ is equal to ‘1’, the instruction uses the BSR and the 8-bit address included in the opcode for the data memory address. When ‘a’ is ‘0’, however, the instruction is forced to use the Access Bank address map. In that case, the current value of the BSR is ignored entirely.

Using this “forced” addressing allows the instruction to operate on a data address in a single cycle without updating the BSR first. For 8-bit addresses of 60h and above, this means that users can evaluate and operate on SFRs more efficiently. The Access RAM below 60h is a good place for data values that the user might need to access rapidly, such as immediate computational results or common program variables.

Access RAM also allows for faster and more code efficient context saving and switching of variables.

The mapping of the Access Bank is slightly different when the extended instruction set is enabled (XINST Configuration bit = 1). This is discussed in more detail in [Section 6.6.3 “Mapping the Access Bank in Indexed Literal Offset Mode”](#).

## 6.3.3 GENERAL PURPOSE REGISTER FILE

PIC18 devices may have banked memory in the GPR area. This is data RAM which is available for use by all instructions. GPRs start at the bottom of Bank 0 (address 000h) and grow upwards towards the bottom of the SFR area. GPRs are not initialized by a Power-on Reset and are unchanged on all other Resets.

# PIC18F87K90 FAMILY

## 6.3.4 SPECIAL FUNCTION REGISTERS

The Special Function Registers (SFRs) are registers used by the CPU and peripheral modules for controlling the desired operation of the device. These registers are implemented as static RAM. SFRs start at the top of data memory (FFFh) and extend downward to occupy all of Bank 15 (F00h to FFFh) and the top part of Bank 14 (EF4h to EFFh).

A list of these registers is given in [Table 6-1](#) and [Table 6-2](#).

The SFRs can be classified into two sets: those associated with the “core” device functionality (ALU, Resets and interrupts) and those related to the peripheral functions. The Reset and Interrupt registers are described in their respective chapters, while the ALU’s STATUS register is described later in this section. Registers related to the operation of the peripheral features are described in the chapter for that peripheral.

The SFRs are typically distributed among the peripherals whose functions they control. Unused SFR locations are unimplemented and read as ‘0’s.

**TABLE 6-1: PIC18F87K90 FAMILY SPECIAL FUNCTION REGISTER MAP<sup>(5)</sup>**

| Addr. | Name                    | Addr. | Name                    | Addr. | Name             | Addr. | Name                 | Addr. | Name                     | Addr. | Name                    |
|-------|-------------------------|-------|-------------------------|-------|------------------|-------|----------------------|-------|--------------------------|-------|-------------------------|
| FFFh  | TOSU                    | FDfH  | INDF2 <sup>(1)</sup>    | FBFh  | ECCP1AS          | F9Fh  | IPR1                 | F7Fh  | EECON1                   | F5Fh  | RTCCFG                  |
| FFEh  | TOSH                    | FDEh  | POSTINC2 <sup>(1)</sup> | FBEh  | ECCP1DEL         | F9Eh  | PIR1                 | F7Eh  | EECON2                   | F5Eh  | RTCCAL                  |
| FFDh  | TOSL                    | FDDh  | POSTDEC2 <sup>(1)</sup> | FBDh  | CCPR1H           | F9Dh  | PIE1                 | F7Dh  | LCDDATA23 <sup>(3)</sup> | F5Dh  | RTCVALH                 |
| FFCh  | STKPTR                  | FDCh  | PREINC2 <sup>(1)</sup>  | FBCh  | CCPR1L           | F9Ch  | PSTR1CON             | F7Ch  | LCDDATA22 <sup>(3)</sup> | F5Ch  | RTCVALL                 |
| FFBh  | PCLATU                  | FDBh  | PLUSW2 <sup>(1)</sup>   | FBbH  | CCP1CON          | F9Bh  | OSCTUNE              | F7Bh  | LCDDATA21                | F5Bh  | ALRMCFG                 |
| FFAh  | PCLATH                  | FDAh  | FSR2H                   | FBAh  | PIR5             | F9Ah  | TRISJ <sup>(3)</sup> | F7Ah  | LCDDATA20                | F5Ah  | ALMRPT                  |
| FF9h  | PCL                     | FD9h  | FSR2L                   | FB9h  | PIE5             | F99h  | TRISH <sup>(3)</sup> | F79h  | LCDDATA19                | F59h  | ALRMVALH                |
| FF8h  | TBLPTRU                 | FD8h  | STATUS                  | FB8h  | IPR4             | F98h  | TRISG                | F78h  | LCDDATA18                | F58h  | ALRMVALL                |
| FF7h  | TBLPTRH                 | FD7h  | TMR0H                   | FB7h  | PIR4             | F97h  | TRISF                | F77h  | LCDDATA17 <sup>(3)</sup> | F57h  | CTMUCONH                |
| FF6h  | TBLPTRL                 | FD6h  | TMR0L                   | FB6h  | PIE4             | F96h  | TRISE                | F76h  | LCDDATA16 <sup>(3)</sup> | F56h  | CTMUCONL                |
| FF5h  | TABLAT                  | FD5h  | T0CON                   | FB5h  | CVRCON           | F95h  | TRISD                | F75h  | LCDDATA15                | F55h  | CTMUICON                |
| FF4h  | PRODH                   | FD4h  | SPBRGH1                 | FB4h  | CMSTAT           | F94h  | TRISC                | F74h  | LCDDATA14                | F54h  | CMCON1                  |
| FF3h  | PRODL                   | FD3h  | OSCCON                  | FB3h  | TMR3H            | F93h  | TRISB                | F73h  | LCDDATA13                | F53h  | PADCFG1                 |
| FF2h  | INTCON                  | FD2h  | IPR5                    | FB2h  | TMR3L            | F92h  | TRISA                | F72h  | LCDDATA12                | F52h  | ECCP2AS                 |
| FF1h  | INTCON2                 | FD1h  | WDTCON                  | FB1h  | T3CON            | F91h  | LATJ <sup>(3)</sup>  | F71h  | LCDDATA11 <sup>(3)</sup> | F51h  | ECCP2DEL                |
| FF0h  | INTCON3                 | FD0h  | RCON                    | FB0h  | T3GCON           | F90h  | LATH <sup>(3)</sup>  | F70h  | LCDDATA10 <sup>(3)</sup> | F50h  | CCPR2H                  |
| FEFh  | INDF0 <sup>(1)</sup>    | FCFh  | TMR1H                   | FAFh  | SPBRG1           | F8Fh  | LATG                 | F6Fh  | LCDDATA9                 | F4Fh  | CCPR2L                  |
| FEeh  | POSTINC0 <sup>(1)</sup> | FCEh  | TMR1L                   | FAeh  | RCREG1           | F8Eh  | LATF                 | F6Eh  | LCDDATA8                 | F4Eh  | CCP2CON                 |
| FEDh  | POSTDEC0 <sup>(1)</sup> | FCDh  | T1CON                   | FADh  | TXREG1           | F8Dh  | LATE                 | F6Dh  | LCDDATA7                 | F4Dh  | ECCP3AS                 |
| FECh  | PREINC0 <sup>(1)</sup>  | FCCh  | TMR2                    | FACH  | TXSTA1           | F8Ch  | LATD                 | F6Ch  | LCDDATA6                 | F4Ch  | ECCP3DEL                |
| FEBh  | PLUSW0 <sup>(1)</sup>   | FCBh  | PR2                     | FABh  | RCSTA1           | F8Bh  | LATC                 | F6Bh  | LCDDATA5 <sup>(3)</sup>  | F4Bh  | CCPR3H                  |
| FEAh  | FSR0H                   | FCAh  | T2CON                   | FAAh  | T1GCON           | F8Ah  | LATB                 | F6Ah  | LCDDATA4 <sup>(3)</sup>  | F4Ah  | CCPR3L                  |
| FE9h  | FSR0L                   | FC9h  | SSP1BUF                 | FA9h  | IPR6             | F89h  | LATA                 | F69h  | LCDDATA3                 | F49h  | CCP3CON                 |
| FE8h  | WREG                    | FC8h  | SSP1ADD                 | FA8h  | HLVDCON          | F88h  | PORTJ <sup>(3)</sup> | F68h  | LCDDATA2                 | F48h  | CCPR8H                  |
| FE7h  | INDF1 <sup>(1)</sup>    | FC7h  | SSP1STAT                | FA7h  | — <sup>(2)</sup> | F87h  | PORTH <sup>(3)</sup> | F67h  | LCDDATA1                 | F47h  | CCPR8L                  |
| FE6h  | POSTINC1 <sup>(1)</sup> | FC6h  | SSP1CON1                | FA6h  | PIR6             | F86h  | PORTG                | F66h  | LCDDATA0                 | F46h  | CCP8CON                 |
| FE5h  | POSTDEC1 <sup>(1)</sup> | FC5h  | SSP1CON2                | FA5h  | IPR3             | F85h  | PORTF                | F65h  | BAUDCON1                 | F45h  | CCPR9H <sup>(4)</sup>   |
| FE4h  | PREINC1 <sup>(1)</sup>  | FC4h  | ADRESH                  | FA4h  | PIR3             | F84h  | PORTE                | F64h  | OSCCON2                  | F44h  | CCPR9L <sup>(4)</sup>   |
| FE3h  | PLUSW1 <sup>(1)</sup>   | FC3h  | ADRESL                  | FA3h  | PIE3             | F83h  | PORTD                | F63h  | EEADRH                   | F43h  | CCP9CON <sup>(4)</sup>  |
| FE2h  | FSR1H                   | FC2h  | ADCON0                  | FA2h  | IPR2             | F82h  | PORTC                | F62h  | EEADR                    | F42h  | CCPR10H <sup>(4)</sup>  |
| FE1h  | FSR1L                   | FC1h  | ADCON1                  | FA1h  | PIR2             | F81h  | PORTB                | F61h  | EEDATA                   | F41h  | CCPR10L <sup>(4)</sup>  |
| FE0h  | BSR                     | FC0h  | ADCON2                  | FA0h  | PIE2             | F80h  | PORTA                | F60h  | PIE6                     | F40h  | CCP10CON <sup>(4)</sup> |
| F3Fh  | TMR7H <sup>(4)</sup>    | F32h  | TMR12 <sup>(4)</sup>    | F25h  | ANCON0           | F18h  | PMD1                 | F0Bh  | CCPR6H                   | EFEh  | SSP2CON2                |

- Note**
- 1: This is not a physical register.
  - 2: Unimplemented registers are read as ‘0’.
  - 3: This register is not available in 64-pin devices (PIC18F6XK90).
  - 4: This register is not available in devices with a program memory of 32 Kbytes (PIC18FX5K90).
  - 5: Addresses, EF4h through F5Fh, are also used by SFRs, but are not part of the Access RAM. Users must always load the proper BSR value to access these registers.

# PIC18F87K90 FAMILY

**TABLE 6-1: PIC18F87K90 FAMILY SPECIAL FUNCTION REGISTER MAP<sup>(5)</sup> (CONTINUED)**

| Addr. | Name                  | Addr. | Name                  | Addr. | Name     | Addr. | Name    | Addr. | Name     | Addr. | Name                  |
|-------|-----------------------|-------|-----------------------|-------|----------|-------|---------|-------|----------|-------|-----------------------|
| F3Eh  | TMR7L <sup>(4)</sup>  | F31h  | PR12 <sup>(4)</sup>   | F24h  | ANCON1   | F17h  | PMD2    | F0Ah  | CCPR6L   | EFDh  | LCDREF                |
| F3Dh  | T7CON <sup>(4)</sup>  | F30h  | T12CON <sup>(4)</sup> | F23h  | ANCON2   | F16h  | PMD3    | F09h  | CCP6CON  | EFCh  | LCDRL                 |
| F3Ch  | T7GCON <sup>(4)</sup> | F2Fh  | CM2CON                | F22h  | RCSTA2   | F15h  | TMR5H   | F08h  | CCPR7H   | EFBh  | LCDSE5 <sup>(3)</sup> |
| F3Bh  | TMR6                  | F2Eh  | CM3CON                | F21h  | TXSTA2   | F14h  | TMR5L   | F07h  | CCPR7L   | EFAh  | LCDSE4                |
| F3Ah  | PR6                   | F2Dh  | CCPTMRS0              | F20h  | BAUDCON2 | F13h  | T5CON   | F06h  | CCP7CON  | EF9h  | LCDSE3                |
| F39H  | T6CON                 | F2Ch  | CCPTMRS1              | F1Fh  | SPBRGH2  | F12h  | T5GCON  | F05h  | TMR4     | EF8h  | LCDSE2                |
| F38h  | TMR8                  | F2Bh  | CCPTMRS2              | F1Eh  | SPBRG2   | F11h  | CCPR4H  | F04h  | PR4      | EF7h  | LCDSE1                |
| F37h  | PR8                   | F2Ah  | REFOCON               | F1Dh  | RCREG2   | F10h  | CCPR4L  | F03h  | T4CON    | EF6h  | LCDSE0                |
| F36h  | T8CON                 | F29h  | ODCON1                | F1Ch  | TXREG2   | F0Fh  | CCP4CON | F02h  | SSP2BUF  | EF5h  | LCDPS                 |
| F35h  | TMR10 <sup>(4)</sup>  | F28h  | ODCON2                | F1Bh  | PSTR2CON | F0Eh  | CCPR5H  | F01h  | SSP2ADD  | EF4h  | LCDCON                |
| F34h  | PR10 <sup>(4)</sup>   | F27h  | ODCON3                | F1Ah  | PSTR3CON | F0Dh  | CCPR5L  | F00h  | SSP2STAT |       |                       |
| F33h  | T10CON <sup>(4)</sup> | F26h  | —                     | F19h  | PMD0     | F0Ch  | CCP5CON | EFFh  | SSP2CON1 |       |                       |

- Note**
- 1: This is not a physical register.
  - 2: Unimplemented registers are read as '0'.
  - 3: This register is not available in 64-pin devices (PIC18F6XK90).
  - 4: This register is not available in devices with a program memory of 32 Kbytes (PIC18FX5K90).
  - 5: Addresses, EF4h through F5Fh, are also used by SFRs, but are not part of the Access RAM. Users must always load the proper BSR value to access these registers.



# PIC18F87K90 FAMILY

**TABLE 6-2: PIC18F87K90 FAMILY REGISTER FILE SUMMARY**

| Address | File Name             | Bit 7   | Bit 6                 | Bit 5                 | Bit 4    | Bit 3            | Bit 2   | Bit 1   | Bit 0                  | Value on POR, BOR |
|---------|-----------------------|---|-----------------------|-----------------------|----------|------------------|---------|---------|------------------------|-------------------|
| EF4h    | LCDCON                | LCDEN   | SLPEN                 | WERR                  | —        | CS1              | CS0     | LMUX1   | LMUX0                  | 000- 0000         |
| EF5h    | LCDPS                 | WFT   | BIASMD                | LCDA                  | WA       | LP3              | LP2     | LP1     | LP0                    | 0000 0000         |
| EF6h    | LCDSE0                | SE07  | SE06                  | SE05                  | SE04     | SE03             | SE02    | SE01    | SE00                   | 0000 0000         |
| EF7h    | LCDSE1                | SE15  | SE14                  | SE13                  | SE12     | SE11             | SE10    | SE09    | SE08                   | 0000 0000         |
| EF8h    | LCDSE2                | SE23  | SE22                  | SE21                  | SE20     | SE19             | SE18    | SE17    | SE16                   | 0000 0000         |
| EF9h    | LCDSE3                | SE31  | SE30                  | SE29                  | SE28     | SE27             | SE26    | SE25    | SE24                   | 0000 0000         |
| EFAh    | LCDSE4                | SE39  | SE38                  | S37                   | SE36     | SE35             | SE34    | SE33    | SE32                   | 0000 0000         |
| EFBh    | LCDSE5 <sup>(2)</sup> | SE47  | SE46                  | SE45                  | SE44     | SE43             | SE42    | SE41    | SE40                   | 0000 0000         |
| EFCh    | LCDRL                 | LRLAP1  | LRLAP0                | LRLBP1                | LRLBP0   | —                | LRLAT2  | LRLAT1  | LRLAT0                 | 0000 -000         |
| EFDh    | LCDFREF               | LCDIRE  | LCDIRS                | LCDCST2               | LCDCST1  | LCDCST0          | VLCD3PE | VLCD2PE | VLCD1PE                | 0000 0000         |
| EF Eh   | SSP2CON2              | GCEN  | ACKSTAT               | ACKDT                 | ACKEN    | RCEN             | PEN     | RSEN    | SEN                    | 0000 0000         |
| EFFh    | SSP2CON1              | WCOL  | SSPOV                 | SSPEN                 | CKP      | SSPM3            | SSPM2   | SSPM1   | SSPM0                  | 0000 0000         |
| F00h    | SSP2STAT              | SMP   | CKE                   | D/A                   | P        | S                | R/W     | UA      | BF                     | 0000 0000         |
| F01h    | SSP2ADD               | MSSP Address Register in I <sup>2</sup> C™ Slave Mode. SSP1 Baud Rate Reload Register in I <sup>2</sup> C Master Mode |                       |                       |          |                  |         |         |                        | 0000 0000         |
| F02h    | SSP2BUF               | MSSP Receive Buffer/Transmit Register   |                       |                       |          |                  |         |         |                        | xxxx xxxx         |
| F03h    | T4CON                 | —   | T4OUTPS3              | T4OUTPS2              | T4OUTPS1 | T4OUTPS0         | TMR4ON  | T4CKPS1 | T4CKPS0                | -000 0000         |
| F04h    | PR4                   | Timer4 Period Register  |                       |                       |          |                  |         |         |                        | 0000 0000         |
| F05h    | TMR4                  | Timer4 Register   |                       |                       |          |                  |         |         |                        | 1111 1111         |
| F06h    | CCP7CON               | —   | —                     | DC7B1                 | DC7B0    | CCP7M3           | CCP7M2  | CCP7M1  | CCP7M0                 | --00 0000         |
| F07h    | CCPR7L                | Capture/Compare/PWM Register 7 Low Byte   |                       |                       |          |                  |         |         |                        | xxxx xxxx         |
| F08h    | CCPR7H                | Capture/Compare/PWM Register7 High Byte   |                       |                       |          |                  |         |         |                        | xxxx xxxx         |
| F09h    | CCP6CON               | —   | —                     | DC6B1                 | DC6B0    | CCP6M3           | CCP6M2  | CCP6M1  | CCP6M0                 | --00 0000         |
| F0Ah    | CCPR6L                | Capture/Compare/PWM Register 6 Low Byte   |                       |                       |          |                  |         |         |                        | xxxx xxxx         |
| F0Bh    | CCPR6H                | Capture/Compare/PWM Register6 High Byte   |                       |                       |          |                  |         |         |                        | xxxx xxxx         |
| F0Ch    | CCP5CON               | —   | —                     | DC5B1                 | DC5B0    | CCP5M3           | CCP5M2  | CCP5M1  | CCP5M0                 | --00 0000         |
| F0Dh    | CCPR5L                | Capture/Compare/PWM Register 5 Low Byte   |                       |                       |          |                  |         |         |                        | xxxx xxxx         |
| F0Eh    | CCPR5H                | Capture/Compare/PWM Register 5 High Byte  |                       |                       |          |                  |         |         |                        | xxxx xxxx         |
| F0Fh    | CCP4CON               | —   | —                     | DC4B1                 | DC4B0    | CCP4M3           | CCP4M2  | CCP4M1  | CCP4M0                 | --00 0000         |
| F10h    | CCPR4L                | Capture/Compare/PWM Register 4 Low Byte   |                       |                       |          |                  |         |         |                        | xxxx xxxx         |
| F11h    | CCPR4H                | Capture/Compare/PWM Register 4 High Byte  |                       |                       |          |                  |         |         |                        | xxxx xxxx         |
| F12h    | T5GCON                | TMR5GE  | T5GPOL                | T5GTM                 | T5GSPM   | T5GGO/<br>T5DONE | T5GVAL  | T5GSS1  | T5GSS0                 | 0000 0000         |
| F13h    | T5CON                 | TMR5CS1   | TMR5CS0               | T5CKPS1               | T5CKPS0  | SOSCEN           | T5SYNĀ  | RD16    | TMR5ON                 | 0000 0000         |
| F14h    | TMR5L                 | Timer5 Register Low Byte  |                       |                       |          |                  |         |         |                        | 0000 0000         |
| F15h    | TMR5H                 | Timer5 Register High Byte   |                       |                       |          |                  |         |         |                        | xxxx xxxx         |
| F16h    | PMD3                  | CCP10MD <sup>(3)</sup>  | CCP9MD <sup>(3)</sup> | CCP8MD                | CCP7MD   | CCP6MD           | CCP5MD  | CCP4MD  | TMR12MD <sup>(3)</sup> | 0000 0000         |
| F17h    | PMD2                  | TMR10MD <sup>(3)</sup>  | TMR8MD                | TMR7MD <sup>(3)</sup> | TMR6MD   | TMR5MD           | CMP3MD  | CMP2MD  | CMP1MD                 | 0000 0000         |
| F18h    | PMD1                  | —   | CTMUMD                | RTCCMD                | TMR4MD   | TMR3MD           | TMR2MD  | TMR1MD  | —                      | -000 000-         |
| F19h    | PMD0                  | CCP3MD  | CCP2MD                | CCP1MD                | UART2MD  | UART1MD          | SSP2MD  | SSP1MD  | ADCMD                  | 0000 0000         |
| F1Ah    | PSTR3CON              | CMPL1   | CMPL0                 | —                     | STRSYNĀ  | STRD             | STRC    | STRB    | STRA                   | 00-0 0001         |
| F1Bh    | PSTR2CON              | CMPL1   | CMPL0                 | —                     | STRSYNĀ  | STRD             | STRC    | STRB    | STRA                   | 00-0 0001         |
| F1Ch    | TXREG2                | Transmit Data FIFO  |                       |                       |          |                  |         |         |                        | xxxx xxxx         |
| F1Dh    | RCREG2                | Receive Data FIFO   |                       |                       |          |                  |         |         |                        | 0000 0000         |
| F1Eh    | SPBRG2                | USART2 Baud Rate Generator Low Byte   |                       |                       |          |                  |         |         |                        | 0000 0000         |
| F1Fh    | SPBRGH2               | USART2 Baud Rate Generator High Byte  |                       |                       |          |                  |         |         |                        | 0000 0000         |
| F20h    | BAUDCON2              | ABDOVF  | RCIDL                 | RXDTP                 | TXCKP    | BRG16            | —       | WUE     | ABDEN                  | 0100 0-00         |
| F21h    | TXSTA2                | CSRC  | TX9                   | TXEN                  | SYNĀ     | SENDB            | BRGH    | TRMT    | TX9D                   | 0000 0010         |
| F22h    | RCSTA2                | SPEN  | RX9                   | SREN                  | CREN     | ADDEN            | FERR    | OERR    | RX9D                   | 0000 000x         |
| F23h    | ANCON2                | ANSEL23   | ANSEL22               | ANSEL21               | ANSEL20  | ANSEL19          | ANSEL18 | ANSEL17 | ANSEL16                | 1111 1111         |

**Note 1:** This bit is available when Master Clear is disabled (MCLRE = 0). When MCLRE is set, the bit is unimplemented.

**Note 2:** Unimplemented in 64-pin devices (PIC18F6XK90).

**Note 3:** Unimplemented in devices with a program memory of 32 Kbytes (PIC18FX5K90).

# PIC18F87K90 FAMILY

**TABLE 6-2: PIC18F87K90 FAMILY REGISTER FILE SUMMARY (CONTINUED)**

| Address | File Name               | Bit 7                                     | Bit 6                 | Bit 5     | Bit 4     | Bit 3            | Bit 2           | Bit 1    | Bit 0    | Value on POR, BOR |
|---------|-------------------------|---|-----------------------|-----------|-----------|------------------|-----------------|----------|----------|-------------------|
| F24h    | ANCON1                  | ANSEL15                                   | ANSEL14               | ANSEL13   | ANSEL12   | ANSEL11          | ANSEL10         | ANSEL9   | ANSEL8   | 1111 1111         |
| F25h    | ANCON0                  | ANSEL7                                    | ANSEL6                | ANSEL5    | ANSEL4    | ANSEL3           | ANSEL2          | ANSEL1   | ANSEL0   | 1111 1111         |
| F26h    | —                       | —   | —                     | —         | —         | —                | —               | —        | —        | —                 |
| F27h    | ODCON3                  | U2OD                                      | U1OD                  | —         | —         | —                | —               | —        | CTMUDS   | 00-- --0          |
| F28h    | ODCON2                  | CCP10OD <sup>(3)</sup>                    | CCP9OD <sup>(3)</sup> | CCP8OD    | CCP7OD    | CCP6OD           | CCP5OD          | CCP4OD   | CCP3OD   | 0000 0000         |
| F29h    | ODCON1                  | SSP1OD                                    | CCP2OD                | CCP1OD    | —         | —                | —               | —        | SSP2OD   | 000- --0          |
| F2Ah    | REFOCON                 | ROON                                      | —                     | ROSSLP    | ROSEL     | RODIV3           | RODIV2          | RODIV1   | RODIV0   | 0-00 0000         |
| F2Bh    | CCPTMRS2                | —   | —                     | —         | C10TSEL0  | —                | C9TSEL0         | C8TSEL1  | C8TSEL0  | ---0 -000         |
| F2Ch    | CCPTMRS1                | C7TSEL1                                   | C7TSEL0               | —         | C6TSEL0   | —                | C5TSEL0         | C4TSEL1  | C4TSEL0  | 00-0 -000         |
| F2Dh    | CCPTMRS0                | C3TSEL1                                   | C3TSEL0               | C2TSEL2   | C2TSEL1   | C2TSEL0          | C1TSEL2         | C1TSEL1  | C1TSEL0  | 0000 0000         |
| F2Eh    | CM3CON                  | CON                                       | COE                   | CPOL      | EVPOL1    | EVPOL0           | CREF            | CCH1     | CCH0     | 0001 1111         |
| F2Fh    | CM2CON                  | CON                                       | COE                   | CPOL      | EVPOL1    | EVPOL0           | CREF            | CCH1     | CCH0     | 0001 1111         |
| F30h    | T12CON                  | —   | T12OUTPS3             | T12OUTPS2 | T12OUTPS1 | T12OUTPS0        | TMR12ON         | T12CKPS1 | T12CKPS0 | -000 0000         |
| F31h    | PR12                    | Timer12 Period Register                   |                       |           |           |                  |                 |          |          | 1111 1111         |
| F32h    | TMR12                   | TMR12 Register                            |                       |           |           |                  |                 |          |          | 0000 0000         |
| F33h    | T10CON <sup>(3)</sup>   | —   | T10OUTPS3             | T10OUTPS2 | T10OUTPS1 | T10OUTPS0        | TMR10ON         | T10CKPS1 | T10CKPS0 | -000 0000         |
| F34h    | PR10                    | Timer10 Period Register                   |                       |           |           |                  |                 |          |          | 1111 1111         |
| F35h    | TMR10                   | TMR10 Register                            |                       |           |           |                  |                 |          |          | 0000 0000         |
| F36h    | T8CON                   | —   | T8OUTPS3              | T8OUTPS2  | T8OUTPS1  | T8OUTPS0         | TMR8ON          | T8CKPS1  | T8CKPS0  | -000 0000         |
| F37h    | PR8                     | Timer8 Period Register                    |                       |           |           |                  |                 |          |          | 1111 1111         |
| F38h    | TMR8                    | Timer8 Register                           |                       |           |           |                  |                 |          |          | 0000 0000         |
| F39h    | T6CON                   | —   | T6OUTPS3              | T6OUTPS2  | T6OUTPS1  | T6OUTPS0         | TMR6ON          | T6CKPS1  | T6CKPS0  | -000 0000         |
| F3Ah    | PR6                     | Timer6 Period Register                    |                       |           |           |                  |                 |          |          | 1111 1111         |
| F3Bh    | TMR6                    | Timer6 Register                           |                       |           |           |                  |                 |          |          | 0000 0000         |
| F3Ch    | T7GCON <sup>(3)</sup>   | TMR7GE                                    | T7GPOL                | T7GTM     | T7GSPM    | T7GGO/<br>T7DONE | T7GVAL          | T7GSS1   | T7GSS0   | 0000 0x00         |
| F3Dh    | T7CON <sup>(3)</sup>    | TMR7CS1                                   | TMR7CS0               | T7CKPS1   | T7CKPS0   | —                | T7SYN $\bar{C}$ | RD16     | TMR7ON   | 0000 0x00         |
| F3Eh    | TMR7L <sup>(3)</sup>    | Timer7 Register Low Byte                  |                       |           |           |                  |                 |          |          | xxxx xxxx         |
| F3Fh    | TMR7H <sup>(3)</sup>    | Timer7 Register High Byte                 |                       |           |           |                  |                 |          |          | xxxx xxxx         |
| F40h    | CCP10CON <sup>(3)</sup> | —   | —                     | DC10B1    | DC10B0    | CCP10M3          | CCP10M2         | CCP10M1  | CCP10M0  | --00 0000         |
| F41h    | CCPR10L <sup>(3)</sup>  | Capture/Compare/PWM Register 10 Low Byte  |                       |           |           |                  |                 |          |          | xxxx xxxx         |
| F42h    | CCPR10H <sup>(3)</sup>  | Capture/Compare/PWM Register 10 High Byte |                       |           |           |                  |                 |          |          | xxxx xxxx         |
| F43h    | CCP9CON <sup>(3)</sup>  | —   | —                     | DC9B1     | DC9B0     | CCP9M3           | CCP9M2          | CCP9M1   | CCP9M0   | --00 0000         |
| F44h    | CCPR9L <sup>(3)</sup>   | Capture/Compare/PWM Register 9 Low Byte   |                       |           |           |                  |                 |          |          | xxxx xxxx         |
| F45h    | CCPR9H <sup>(3)</sup>   | Capture/Compare/PWM Register 9 High Byte  |                       |           |           |                  |                 |          |          | xxxx xxxx         |
| F46h    | CCP8CON                 | —   | —                     | DC8B1     | DC8B0     | CCP8M3           | CCP8M2          | CCP8M1   | CCP8M0   | --00 0000         |
| F47h    | CCPR8L                  | Capture/Compare/PWM Register 8 Low Byte   |                       |           |           |                  |                 |          |          | xxxx xxxx         |
| F48h    | CCPR8H                  | Capture/Compare/PWM Register 8 High Byte  |                       |           |           |                  |                 |          |          | xxxx xxxx         |
| F49h    | CCP3CON                 | P3M1                                      | P3M0                  | DC3B1     | DC3B0     | CCP3M3           | CCP3M2          | CCP3M1   | CCP3M0   | 0000 0000         |
| F4Ah    | CCPR3L                  | Capture/Compare/PWM Register 3 Low Byte   |                       |           |           |                  |                 |          |          | xxxx xxxx         |
| F4Bh    | CCPR3H                  | Capture/Compare/PWM Register 3 High Byte  |                       |           |           |                  |                 |          |          | xxxx xxxx         |
| F4Ch    | ECCP3DEL                | P3RSEN                                    | P3DC6                 | P3DC5     | P3DC4     | P3DC3            | P3DC2           | P3DC1    | P3DC0    | 0000 0000         |
| F4Dh    | ECCP3AS                 | ECCP3ASE                                  | ECCP3AS2              | ECCP3AS1  | ECCP3AS0  | PSS3AC1          | PSS3AC0         | PSS3BD1  | PSS3BD0  | 0000 0000         |
| F4Eh    | CCP2CON                 | P2M1                                      | P2M0                  | DC2B1     | DC2B0     | CCP2M3           | CCP2M2          | CCP2M1   | CCP2M0   | 0000 0000         |
| F4Fh    | CCPR2L                  | Capture/Compare/PWM Register 2 Low Byte   |                       |           |           |                  |                 |          |          | xxxx xxxx         |

- Note**
- 1: This bit is available when Master Clear is disabled (MCLR = 0). When MCLR is set, the bit is unimplemented.
  - 2: Unimplemented in 64-pin devices (PIC18F6XK90).
  - 3: Unimplemented in devices with a program memory of 32 Kbytes (PIC18FX5K90).

# PIC18F87K90 FAMILY

**TABLE 6-2: PIC18F87K90 FAMILY REGISTER FILE SUMMARY (CONTINUED)**

| Address | File Name                | Bit 7  | Bit 6                | Bit 5                | Bit 4                | Bit 3                | Bit 2                | Bit 1                | Bit 0    | Value on POR, BOR |
|---------|--------------------------|--|----------------------|----------------------|----------------------|----------------------|----------------------|----------------------|----------|-------------------|
| F50h    | CCPR2H                   | Capture/Compare/PWM Register 2 High Byte             |                      |                      |                      |                      |                      |                      |          | xxxx xxxx         |
| F51h    | ECCP2DEL                 | P2RSEN   | P2DC6                | P2DC5                | P2DC4                | P2DC3                | P2DC2                | P2DC1                | P2DC0    | 0000 0000         |
| F52h    | ECCP2AS                  | ECCP2ASE   | ECCP2AS2             | ECCP2AS1             | ECCP2AS0             | PSS2AC1              | PSS2AC0              | PSS2BD1              | PSS2BD0  | 0000 0000         |
| F53h    | PADCFG1                  | RDPUR  | REPU                 | RJPU <sup>(2)</sup>  | —                    | —                    | RTSECSEL1            | RTSECSEL0            | —        | 000- -00-         |
| F54h    | CM1CON                   | CON  | COE                  | CPOL                 | EVPOL1               | EVPOL0               | CREF                 | CCH1                 | CCH0     | 0001 1111         |
| F55h    | CTMUICON                 | ITRIM5   | ITRIM4               | ITRIM3               | ITRIM2               | ITRIM1               | ITRIM0               | IRNG1                | IRNG0    | 0000 0000         |
| F56h    | CTMUCONL                 | EDG2POL  | EDG2SEL1             | EDG2SEL0             | EDG1POL              | EDG1SEL1             | EDG1SEL0             | EDG2STAT             | EDG1STAT | 0000 0000         |
| F57h    | CTMUCONH                 | CTMUEN   | —                    | CTMUSIDL             | TGEN                 | EDGEN                | EDGSEQEN             | IDISSEN              | CTTRIG   | 0-00 0000         |
| F58h    | ALRMVALL                 | Alarm Value High Register Window based on APTR<1:0>  |                      |                      |                      |                      |                      |                      |          | 0000 0000         |
| F59h    | ALRMVALH                 | Alarm Value High Register Window based on APTR<1:0>  |                      |                      |                      |                      |                      |                      |          | xxxx xxxx         |
| F5Ah    | ALRMRPT                  | ARPT7  | ARPT6                | ARPT5                | ARPT4                | ARPT3                | ARPT2                | ARPT1                | ARPT0    | 0000 0000         |
| F5Bh    | ALRMCFG                  | ALRMEN   | CHIME                | AMASK3               | AMASK2               | AMASK1               | AMASK0               | ALRMPTR1             | ALRMPTR0 | 0000 0000         |
| F5Ch    | RTCVALL                  | RTCC Value Low Register Window based on RTCPTR<1:0>  |                      |                      |                      |                      |                      |                      |          | 0000 0000         |
| F5Dh    | RTCVALH                  | RTCC Value High Register Window based on RTCPTR<1:0> |                      |                      |                      |                      |                      |                      |          | xxxx xxxx         |
| F5Eh    | RTCCAL                   | CAL7   | CAL6                 | CAL5                 | CAL4                 | CAL3                 | CAL2                 | CAL1                 | CAL0     | xxxx xxxx         |
| F5Fh    | RTCCFG                   | RTCEN  | —                    | RTCWREN              | RTCSYNC              | HALFSEC              | RTC0E                | RTCPT1               | RTCPT0   | 0-00 0000         |
| F60h    | PIE6                     | —  | —                    | —                    | EEIE                 | —                    | CMP3IE               | CMP2IE               | CMP1IE   | ---0 -000         |
| F61h    | EEDATA                   | EEPROM Data Register                                 |                      |                      |                      |                      |                      |                      |          | 0000 0000         |
| F62h    | EEADR                    | EEPROM Address Register Low Byte                     |                      |                      |                      |                      |                      |                      |          | 0000 0000         |
| F63h    | EEADRH                   | EEPROM Address Register High Byte                    |                      |                      |                      |                      |                      |                      |          | ---- --00         |
| F64h    | OSCON2                   | —  | SOSCRUN              | —                    | —                    | SOSCGO               | —                    | MFI0FS               | MFI0SEL  | -0-- 0-x0         |
| F65h    | BAUDCON1                 | ABDOVF   | RCIDL                | RXDTP                | TXCKP                | BRG16                | —                    | WUE                  | ABDEN    | 0000 0-x0         |
| F66h    | LCDDATA0                 | S07C0  | S06C0                | S05C0                | S04C0                | S03C0                | S02C0                | S01C0                | S00C0    | xxxx xxxx         |
| F67h    | LCDDATA1                 | S15C0  | S14C0                | S13C0                | S12C0                | S11C0                | S10C0                | S09C0                | S08C0    | xxxx xxxx         |
| F68h    | LCDDATA2                 | S23C0  | S22C0                | S21C0                | S20C0                | S19C0                | S18C0                | S17C0                | S16C0    | xxxx xxxx         |
| F69h    | LCDDATA3                 | S31C0  | S30C0                | S29C0                | S28C0                | S27C0                | S26C0                | S25C0                | S24C0    | xxxx xxxx         |
| F6Ah    | LCDDATA4                 | S39C0  | S38C0                | S37C0                | S36C0                | S35C0                | S34C0                | S33C0                | S32C0    | xxxx xxxx         |
| F6Bh    | LCDDATA5                 | S47C0  | S46C0                | S45C0                | S44C0                | S43C0                | S42C0                | S41C0                | S40C0    | xxxx xxxx         |
| F6Ch    | LCDDATA6                 | S07C1  | S06C1                | S05C1                | S04C1                | S03C1                | S02C1                | S01C1                | S00C1    | xxxx xxxx         |
| F6Dh    | LCDDATA7                 | S15C1  | S14C1                | S13C1                | S12C1                | S11C1                | S10C1                | S09C1                | S08C1    | xxxx xxxx         |
| F6Eh    | LCDDATA8                 | S23C1  | S22C1                | S21C1                | S20C1                | S19C1                | S18C1                | S17C1                | S16C1    | xxxxxxxx          |
| F6Fh    | LCDDATA9                 | S31C1  | S30C1                | S29C1                | S28C1                | S27C1                | S26C1                | S25C1                | S24C1    | xxxx xxxx         |
| F70h    | LCDDATA10 <sup>(2)</sup> | S39C1 <sup>(2)</sup>                                 | S38C1 <sup>(2)</sup> | S37C1 <sup>(2)</sup> | S36C1 <sup>(2)</sup> | S35C1 <sup>(2)</sup> | S34C1 <sup>(2)</sup> | S33C1 <sup>(2)</sup> | S32C1    | xxxx xxxx         |
| F71h    | LCDDATA11 <sup>(2)</sup> | S47C1  | S46C1                | S45C1                | S44C1                | S43C1                | S42C1                | S41C1                | S40C1    | xxxx xxxx         |
| F72h    | LCDDATA12                | S07C2  | S06C2                | S05C2                | S04C2                | S03C2                | S02C2                | S01C2                | S00C2    | xxxx xxxx         |
| F73h    | LCDDATA13                | S15C2  | S14C2                | S13C2                | S12C2                | S11C2                | S10C2                | S09C2                | S08C2    | xxxx xxxx         |
| F74h    | LCDDATA14                | S23C2  | S22C2                | S21C2                | S20C2                | S19C2                | S18C2                | S17C2                | S16C2    | xxxx xxxx         |
| F75h    | LCDDATA15                | S31C2  | S30C2                | S29C2                | S28C2                | S27C2                | S26C2                | S25C2                | S24C2    | xxxx xxxx         |
| F76h    | LCDDATA16 <sup>(2)</sup> | S39C2 <sup>(2)</sup>                                 | S38C2 <sup>(2)</sup> | S37C2 <sup>(2)</sup> | S36C2 <sup>(2)</sup> | S35C2 <sup>(2)</sup> | S34C2 <sup>(2)</sup> | S33C2 <sup>(2)</sup> | S32C2    | xxxx xxxx         |
| F77h    | LCDDATA17 <sup>(2)</sup> | S47C2  | S46C2                | S45C2                | S44C2                | S43C2                | S42C2                | S41C2                | S40C2    | xxxx xxxx         |
| F78h    | LCDDATA18                | S07C3  | S06C3                | S05C3                | S04C3                | S03C3                | S02C3                | S01C3                | S00C3    | xxxx xxxx         |
| F79h    | LCDDATA19                | S15C3  | S14C3                | S13C3                | S12C3                | S11C3                | S10C3                | S09C3                | S08C3    | xxxx xxxx         |
| F7Ah    | LCDDATA20                | S23C3  | S22C3                | S21C3                | S20C3                | S19C3                | S18C3                | S17C3                | S16C3    | xxxx xxxx         |
| F7Bh    | LCDDATA21                | S31C3  | S30C3                | S29C3                | S28C3                | S27C3                | S26C3                | S25C3                | S24C3    | xxxx xxxx         |
| F7Ch    | LCDDATA22 <sup>(2)</sup> | S39C3 <sup>(2)</sup>                                 | S38C3 <sup>(2)</sup> | S37C3 <sup>(2)</sup> | S36C3 <sup>(2)</sup> | S35C3 <sup>(2)</sup> | S34C3 <sup>(2)</sup> | S33C3 <sup>(2)</sup> | S32C3    | xxxx xxxx         |
| F7Dh    | LCDDATA23 <sup>(2)</sup> | S47C3  | S46C3                | S45C3                | S44C3                | S43C3                | S42C3                | S41C3                | S40C3    | xxxx xxxx         |
| F7Eh    | EECON2                   | EEPROM Control Register 2 (not a physical register)  |                      |                      |                      |                      |                      |                      |          | ---- ----         |
| F7Fh    | EECON1                   | EEPGD  | CFG5                 | —                    | FREE                 | WRERR                | WREN                 | WR                   | RD       | xx-0 x000         |
| F80h    | PORTA                    | RA7  | RA6                  | RA5                  | RA4                  | RA3                  | RA2                  | RA1                  | RA0      | xxxx xxxx         |

- Note**
- 1: This bit is available when Master Clear is disabled (MCLRE = 0). When MCLRE is set, the bit is unimplemented.
  - 2: Unimplemented in 64-pin devices (PIC18F6XK90).
  - 3: Unimplemented in devices with a program memory of 32 Kbytes (PIC18FX5K90).

# PIC18F87K90 FAMILY

**TABLE 6-2: PIC18F87K90 FAMILY REGISTER FILE SUMMARY (CONTINUED)**

| Address | File Name            | Bit 7                      | Bit 6  | Bit 5              | Bit 4   | Bit 3            | Bit 2   | Bit 1  | Bit 0  | Value on POR, BOR |
|---------|----------------------|----------------------------|--------|--------------------|---------|------------------|---------|--------|--------|-------------------|
| F81h    | PORTB                | RB7                        | RB6    | RB5                | RB4     | RB3              | RB2     | RB1    | RB0    | xxxx xxxx         |
| F82h    | PORTC                | RC7                        | RC6    | RC5                | RC4     | RC3              | RC2     | RC1    | RC0    | xxxx xxxx         |
| F83h    | PORTD                | RD7                        | RD6    | RD5                | RD4     | RD3              | RD2     | RD1    | RD0    | xxxx xxxx         |
| F84h    | PORTE                | RE7                        | RE6    | RE5                | RE4     | RE3              | RE2     | RE1    | RE0    | xxxx xxxx         |
| F85h    | PORTF                | RF7                        | RF6    | RF5                | RF4     | RF3              | RF2     | RF1    | —      | xxxx xxx-         |
| F86h    | PORTG                | —                          | —      | RG5 <sup>(1)</sup> | RG4     | RG3              | RG2     | RG1    | RG0    | --xx xxxx         |
| F87h    | PORTH <sup>(2)</sup> | RH7                        | RH6    | RH5                | RH4     | RH3              | RH2     | RH1    | RH0    | xxxx xxxx         |
| F88h    | PORTJ <sup>(2)</sup> | RJ7                        | RJ6    | RJ5                | RJ4     | RJ3              | RJ2     | RJ1    | RJ0    | xxxx xxxx         |
| F89h    | LATA                 | LATA7                      | LATA6  | LATA5              | LATA4   | LATA3            | LATA2   | LATA1  | LATA0  | xxxx xxxx         |
| F8Ah    | LATB                 | LATB7                      | LATB6  | LATB5              | LATB4   | LATB3            | LATB2   | LATB1  | LATB0  | xxxx xxxx         |
| F8Bh    | LATC                 | LATC7                      | LATC6  | LATC5              | LATC4   | LATC3            | LATC2   | LATC1  | LATC0  | xxxx xxxx         |
| F8Ch    | LATD                 | LATD7                      | LATD6  | LATD5              | LATD4   | LATD3            | LATD2   | LATD1  | LATD0  | xxxx xxxx         |
| F8Dh    | LATE                 | LATE7                      | LATE6  | LATE5              | LATE4   | LATE3            | LATE2   | LATE1  | LATE0  | xxxx xxxx         |
| F8Eh    | LATF                 | LATF7                      | LATF6  | LATF5              | LATF4   | LATF3            | LATF2   | LATF1  | —      | xxxx xxx-         |
| F8Fh    | LATG                 | —                          | —      | —                  | LATG4   | LATG3            | LATG2   | LATG1  | LATG0  | ---x xxxx         |
| F90h    | LATH <sup>(2)</sup>  | LATH7                      | LATH6  | LATH5              | LATH4   | LATH3            | LATH2   | LATH1  | LATH0  | xxxx xxxx         |
| F91h    | LATJ <sup>(2)</sup>  | LATJ7                      | LATJ6  | LATJ5              | LATJ4   | LATJ3            | LATJ2   | LATJ1  | LATJ0  | xxxx xxxx         |
| F92h    | TRISA                | TRISA7                     | TRISA6 | TRISA5             | TRISA4  | TRISA3           | TRISA2  | TRISA1 | TRISA0 | 1111 1111         |
| F93h    | TRISB                | TRISB7                     | TRISB6 | TRISB5             | TRISB4  | TRISB3           | TRISB2  | TRISB1 | TRISB0 | 1111 1111         |
| F94h    | TRISC                | TRISC7                     | TRISC6 | TRISC5             | TRISC4  | TRISC3           | TRISC2  | TRISC1 | TRISC0 | 1111 1111         |
| F95h    | TRISD                | TRISD7                     | TRISD6 | TRISD5             | TRISD4  | TRISD3           | TRISD2  | TRISD1 | TRISD0 | 1111 1111         |
| F96h    | TRISE                | TRISE7                     | TRISE6 | TRISE5             | TRISE4  | TRISE3           | TRISE2  | TRISE1 | TRISE0 | 1111 1111         |
| F97h    | TRISF                | TRISF7                     | TRISF6 | TRISF5             | TRISF4  | TRISF3           | TRISF2  | TRISF1 | —      | 1111 111-         |
| F98h    | TRISG                | —                          | —      | —                  | TRISG4  | TRISG3           | TRISG2  | TRISG1 | TRISG0 | ---1 1111         |
| F99h    | TRISH <sup>(2)</sup> | TRISH7                     | TRISH6 | TRISH5             | TRISH4  | TRISH3           | TRISH2  | TRISH1 | TRISH0 | 1111 1111         |
| F9Ah    | TRISJ <sup>(2)</sup> | TRISJ7                     | TRISJ6 | TRISJ5             | TRISJ4  | TRISJ3           | TRISJ2  | TRISJ1 | TRISJ0 | 1111 1111         |
| F9Bh    | OSCTUNE              | INTSRC                     | PLLEN  | TUN5               | TUN4    | TUN3             | TUN2    | TUN1   | TUN0   | 0000 0000         |
| F9Ch    | PSTR1CON             | CMPL1                      | CMPL0  | —                  | STRSYNC | STRD             | STRC    | STRB   | STRA   | 00-0 0001         |
| F9Dh    | PIE1                 | —                          | ADIE   | RC11E              | TX11E   | SSP11E           | TMR1G1E | TMR21E | TMR11E | -000 0000         |
| F9Eh    | PIR1                 | —                          | ADIF   | RC11F              | TX11F   | SSP11F           | TMR1G1F | TMR21F | TMR11F | -000 0000         |
| F9Fh    | IPR1                 | —                          | ADIP   | RC11P              | TX11P   | SSP11P           | TMR1G1P | TMR21P | TMR11P | -111 1111         |
| FA0h    | PIE2                 | OSCFIE                     | —      | SSP21E             | BCL21E  | BCL11E           | HLVD1E  | TMR31E | TMR31E | 0-10 0000         |
| FA1h    | PIR2                 | OSCFIF                     | —      | SSP21F             | BCL21F  | BCL11F           | HLVD1F  | TMR31F | TMR31F | 0-10 0000         |
| FA2h    | IPR2                 | OSCFIP                     | —      | SSP21P             | BCL21P  | BCL11P           | HLVD1P  | TMR31P | TMR31P | 1-00 1110         |
| FA3h    | PIE3                 | TMR5G1E                    | LCD1E  | RC21E              | TX21E   | CTMU1E           | CCP21E  | CCP11E | RTCC1E | 0000 0000         |
| FA4h    | PIR3                 | TMR5G1F                    | LCD1F  | RC21F              | TX21F   | CTMU1F           | CCP21F  | CCP11F | RTCC1F | 0000 0000         |
| FA5h    | IPR3                 | TMR5G1P                    | LCD1P  | RC21P              | TX21P   | CTMU1P           | CCP21P  | CCP11P | RTCC1P | 1111 1111         |
| FA6h    | PIR6                 | —                          | —      | —                  | EEIF    | —                | CMP31F  | CMP21F | CMP11F | ---0 -000         |
| FA7h    | —                    | —                          | —      | —                  | —       | —                | —       | —      | —      | ---- ----         |
| FA8h    | HLVDCON              | VDIRMag                    | BGVST  | IRVST              | HLVDEN  | HLVDL3           | HLVDL2  | HLVDL1 | HLVDL0 | 0000 0000         |
| FA9h    | IPR6                 | —                          | —      | —                  | EEIP    | —                | CMP31P  | CMP21P | CMP11P | ---1 -111         |
| FAAh    | T1GCON               | TMR1GE                     | T1GPOL | T1GTM              | T1GSPM  | T1GGO/<br>T1DONE | T1GVAL  | T1GSS1 | T1GSS0 | 0000 0x00         |
| FABh    | RCSTA1               | SPEN                       | RX9    | SREN               | CREN    | ADDEN            | FERR    | OERR   | RX9D   | 0000 000x         |
| FACh    | TXSTA1               | CSRC                       | TX9    | TXEN               | SYNC    | SENDB            | BRGH    | TRMT   | TX9D   | 0000 0010         |
| FADh    | TXREG1               | USART1 Transmit Register   |        |                    |         |                  |         |        |        | xxxx xxxx         |
| FAEh    | RCREG1               | USART1 Receive Register    |        |                    |         |                  |         |        |        | 0000 0000         |
| FAFh    | SPBRG1               | USART1 Baud Rate Generator |        |                    |         |                  |         |        |        | 0000 0000         |

- Note** 1: This bit is available when Master Clear is disabled (MCLRE = 0). When MCLRE is set, the bit is unimplemented.  
2: Unimplemented in 64-pin devices (PIC18F6XK90).  
3: Unimplemented in devices with a program memory of 32 Kbytes (PIC18FX5K90).

# PIC18F87K90 FAMILY

**TABLE 6-2: PIC18F87K90 FAMILY REGISTER FILE SUMMARY (CONTINUED)**

| Address | File Name | Bit 7  | Bit 6                  | Bit 5                  | Bit 4                 | Bit 3  | Bit 2   | Bit 1   | Bit 0   | Value on POR, BOR |
|---------|-----------|--|------------------------|------------------------|-----------------------|--|---------|---------|---------|-------------------|
| FB0h    | T3GCON    | TMR3GE   | T3GPOL                 | T3GTM                  | T3GSPM                | T3GGO/<br>T3DONE                                 | T3GVAL  | T3GSS1  | T3GSS0  | 0000 0x00         |
| FB1h    | T3CON     | TMR3CS1  | TMR3CS0                | T3CKPS1                | T3CKPS0               | SOSCEN   | T3SYNC  | RD16    | TMR3ON  | 0000 0000         |
| FB2h    | TMR3L     | Timer3 Register Low Byte   |                        |                        |                       |  |         |         |         | xxxx xxxx         |
| FB3h    | TMR3H     | Timer3 Register High Byte  |                        |                        |                       |  |         |         |         | xxxx xxxx         |
| FB4h    | CMSTAT    | CMP3OUT  | CMP2OUT                | CMP1OUT                | —                     | —  | —       | —       | —       | 111- ----         |
| FB5h    | CVRCON    | CVREN  | CVROE                  | CVRSS                  | CVR4                  | CVR3   | CVR2    | CVR1    | CVR0    | 0000 0000         |
| FB6h    | PIE4      | CCP10IE <sup>(3)</sup>   | CCP9IE <sup>(3)</sup>  | CCP8IE                 | CCP7IE <sup>(3)</sup> | CCP6IE   | CCP5IE  | CCP4IE  | CCP3IE  | 0000 0000         |
| FB7h    | PIR4      | CCP10IF <sup>(3)</sup>   | CCP9IF <sup>(3)</sup>  | CCP8IF                 | CCP7IF <sup>(3)</sup> | CCP6IF   | CCP5IF  | CCP4IF  | CCP3IF  | 0000 0000         |
| FB8h    | IPR4      | CCP10IP <sup>(3)</sup>   | CCP9IP <sup>(3)</sup>  | CCP8IP                 | CCP7IP <sup>(3)</sup> | CCP6IP   | CCP5IP  | CCP4IP  | CCP3IP  | 1111 1111         |
| FB9h    | PIE5      | TMR7GIE <sup>(3)</sup>   | TMR12IE <sup>(3)</sup> | TMR10IE <sup>(3)</sup> | TMR8IE                | TMR7IE <sup>(3)</sup>                            | TMR6IE  | TMR5IE  | TMR4IE  | 0000 0000         |
| FBAh    | PIR5      | TMR7GIF <sup>(3)</sup>   | TMR12IF <sup>(3)</sup> | TMR10IF <sup>(3)</sup> | TMR8IF                | TMR7IF <sup>(3)</sup>                            | TMR6IF  | TMR5IF  | TMR4IF  | 0000 0000         |
| FBBh    | CCP1CON   | P1M1   | P1M0                   | DC1B1                  | DC1B0                 | CCP1M3   | CCP1M2  | CCP1M1  | CCP1M0  | 0000 0000         |
| FBCh    | CCPR1L    | Capture/Compare/PWM Register 1 Low Byte  |                        |                        |                       |  |         |         |         | xxxx xxxx         |
| FBDh    | CCPR1H    | Capture/Compare/PWM Register 1 High Byte   |                        |                        |                       |  |         |         |         | xxxx xxxx         |
| FBEh    | ECCP1DEL  | P1RSEN   | P1DC6                  | P1DC5                  | P1DC4                 | P1DC3  | P1DC2   | P1DC1   | P1DC0   | 0000 0000         |
| FBFh    | ECCP1AS   | ECCP1ASE   | ECCP1AS2               | ECCP1AS1               | ECCP1AS0              | PSS1AC1  | PSS1AC0 | PSS1BD1 | PSS1BD0 | 0000 0000         |
| FC0h    | ADCON2    | ADFM   | —                      | ACQT2                  | ACQT1                 | ACQT0  | ADCS2   | ADCS1   | ADCS0   | 0-00 0000         |
| FC1h    | ADCON1    | TRIGSEL1   | TRIGSEL0               | VCFG1                  | VCFG0                 | VNCFG  | CHSN2   | CHSN1   | CHSN0   | 0000 0000         |
| FC2h    | ADCON0    | —  | CHS4                   | CHS3                   | CHS2                  | CHS1   | CHS0    | GO/DONE | ADON    | -000 0000         |
| FC3h    | ADRESL    | A/D Result Register Low Byte   |                        |                        |                       |  |         |         |         | xxxx xxxx         |
| FC4h    | ADRESH    | A/D Result Register High Byte  |                        |                        |                       |  |         |         |         | xxxx xxxx         |
| FC5h    | SSP1CON2  | GCEN   | ACKSTAT                | ACKDT                  | ACKEN                 | RCEN   | PEN     | RSEN    | SEN     | 0000 0000         |
| FC6h    | SSP1CON1  | WCOL   | SSPOV                  | SSPEN                  | CKP                   | SSPM3  | SSPM2   | SSPM1   | SSPM0   | 0000 0000         |
| FC7h    | SSP1STAT  | SMP  | CKE                    | D/A                    | P                     | S  | R/W     | UA      | BF      | 0000 0000         |
| FC8h    | SSP1ADD   | MSSP Address Register in I <sup>2</sup> C™ Slave Mode. SSP1 Baud Rate Reload Register in I <sup>2</sup> C Master Mode              |                        |                        |                       |  |         |         |         | 0000 0000         |
| FC9h    | SSP1BUF   | MSSP Receive Buffer/Transmit Register  |                        |                        |                       |  |         |         |         | xxxx xxxx         |
| FCAh    | T2CON     | —  | T2OUTPS3               | T2OUTPS2               | T2OUTPS1              | T2OUTPS0   | TMR2ON  | T2CKPS1 | T2CKPS0 | -000 0000         |
| FCBh    | PR2       | Timer2 Period Register   |                        |                        |                       |  |         |         |         | 1111 1111         |
| FCCh    | TMR2      | Timer2 Register  |                        |                        |                       |  |         |         |         | 0000 0000         |
| FCDh    | T1CON     | TMR1CS1  | TMR1CS0                | T1CKPS1                | T1CKPS0               | SOSCEN   | T1SYNĀ  | RD16    | TMR1ON  | 0000 0000         |
| FCEh    | TMR1L     | Timer1 Register Low Byte   |                        |                        |                       |  |         |         |         | xxxx xxxx         |
| FCFh    | TMR1H     | Timer1 Register High Byte  |                        |                        |                       |  |         |         |         | xxxx xxxx         |
| FD0h    | RCON      | IPEN   | SBORN                  | CM                     | RI                    | TO   | PD      | POR     | BOR     | 0111 11qg         |
| FD1h    | WDTCON    | REGSLP   | —                      | ULPLVL                 | SRETEN                | —  | ULPEN   | ULPSINK | SWDTEN  | 0-x0 -000         |
| FD2h    | IPR5      | TMR7GIP <sup>(3)</sup>   | TMR12IP <sup>(3)</sup> | TMR10IP <sup>(3)</sup> | TMR8IP                | TMR7IP <sup>(3)</sup>                            | TMR6IP  | TMR5IP  | TMR4IP  | 1111 1111         |
| FD3h    | OSCCON    | IDLEN  | IRCF2                  | IRCF1                  | IRCF0                 | OSTS   | HFIOFS  | SCS1    | SCS0    | 0110 q000         |
| FD4h    | SPBRGH1   | USART1 Baud Rate Generator High Byte   |                        |                        |                       |  |         |         |         | 0000 0000         |
| FD5h    | T0CON     | TMR0ON   | T08BIT                 | T0CS                   | T0SE                  | PSA  | TOPS2   | TOPS1   | TOPS0   | 1111 1111         |
| FD6h    | TMR0L     | Timer0 Register Low Byte   |                        |                        |                       |  |         |         |         | xxxx xxxx         |
| FD7h    | TMR0H     | Timer0 Register High Byte  |                        |                        |                       |  |         |         |         | 0000 0000         |
| FD8h    | STATUS    | —  | —                      | —                      | N                     | OV   | Z       | DC      | C       | ---x xxxxx        |
| FD9h    | FSR2L     | Indirect Data Memory Address Pointer 2 Low Byte  |                        |                        |                       |  |         |         |         | xxxx xxxx         |
| FDAh    | FSR2H     | —  | —                      | —                      | —                     | Indirect Data Memory Address Pointer 2 High Byte |         |         |         | ---- xxxxx        |
| FDBh    | PLUSW2    | Uses contents of FSR2 to address data memory – value of FSR2 pre-incremented (not a physical register) – value of FSR2 offset by W |                        |                        |                       |  |         |         |         | ---- ----         |
| FDCh    | PREINC2   | Uses contents of FSR2 to address data memory – value of FSR2 pre-incremented (not a physical register)                             |                        |                        |                       |  |         |         |         | ---- ----         |
| FDDh    | POSTDEC2  | Uses contents of FSR2 to address data memory – value of FSR2 post-decremented (not a physical register)                            |                        |                        |                       |  |         |         |         | ---- ----         |
| FDEh    | POSTINC2  | Uses contents of FSR2 to address data memory – value of FSR2 post-incremented (not a physical register)                            |                        |                        |                       |  |         |         |         | ---- ----         |

- Note**
- 1: This bit is available when Master Clear is disabled (MCLRE = 0). When MCLRE is set, the bit is unimplemented.
  - 2: Unimplemented in 64-pin devices (PIC18F6XK90).
  - 3: Unimplemented in devices with a program memory of 32 Kbytes (PIC18FX5K90).

# PIC18F87K90 FAMILY

**TABLE 6-2: PIC18F87K90 FAMILY REGISTER FILE SUMMARY (CONTINUED)**

| Address | File Name | Bit 7  | Bit 6     | Bit 5   | Bit 4   | Bit 3  | Bit 2  | Bit 1  | Bit 0     | Value on POR, BOR |
|---------|-----------|--|-----------|---------|---|--|--------|--------|-----------|-------------------|
| FDFh    | INDF2     | Uses contents of FSR2 to address data memory – value of FSR2 not changed (not a physical register)                                 |           |         |   |  |        |        |           | ---- ----         |
| FE0h    | BSR       | —  | —         | —       | —   | Bank Select Register                             |        |        |           | ---- 0000         |
| FE1h    | FSR1L     | Indirect Data Memory Address Pointer 1 Low Byte  |           |         |   |  |        |        |           | xxxx xxxx         |
| FE2h    | FSR1H     | —  | —         | —       | —   | Indirect Data Memory Address Pointer 1 High Byte |        |        |           | ---- xxxxx        |
| FE3h    | PLUSW1    | Uses contents of FSR1 to address data memory – value of FSR1 pre-incremented (not a physical register) – value of FSR1 offset by W |           |         |   |  |        |        |           | ---- ----         |
| FE4h    | PREINC1   | Uses contents of FSR1 to address data memory – value of FSR1 pre-incremented (not a physical register)                             |           |         |   |  |        |        |           | ---- ----         |
| FE5h    | POSTDEC1  | Uses contents of FSR1 to address data memory – value of FSR1 post-decremented (not a physical register)                            |           |         |   |  |        |        |           | ---- ----         |
| FE6h    | POSTINC1  | Uses contents of FSR1 to address data memory – value of FSR1 post-incremented (not a physical register)                            |           |         |   |  |        |        |           | ---- ----         |
| FE7h    | INDF1     | Uses contents of FSR1 to address data memory – value of FSR1 not changed (not a physical register)                                 |           |         |   |  |        |        |           | ---- ----         |
| FE8h    | WREG      | Working Register   |           |         |   |  |        |        |           | xxxx xxxx         |
| FE9h    | FSR0L     | Indirect Data Memory Address Pointer 0 Low Byte  |           |         |   |  |        |        |           | xxxx xxxx         |
| FEAh    | FSR0H     | —  | —         | —       | —   | Indirect Data Memory Address Pointer 0 High Byte |        |        |           | ---- xxxxx        |
| FEBh    | PLUSW0    | Uses contents of FSR0 to address data memory – value of FSR0 pre-incremented (not a physical register) – value of FSR0 offset by W |           |         |   |  |        |        |           | ---- ----         |
| FECb    | PREINC0   | Uses contents of FSR0 to address data memory – value of FSR0 pre-incremented (not a physical register)                             |           |         |   |  |        |        |           | ---- ----         |
| FEDh    | POSTDEC0  | Uses contents of FSR0 to address data memory – value of FSR0 post-decremented (not a physical register)                            |           |         |   |  |        |        |           | ---- ----         |
| FEEh    | POSTINC0  | Uses contents of FSR0 to address data memory – value of FSR0 post-incremented (not a physical register)                            |           |         |   |  |        |        |           | ---- ----         |
| FEFh    | INDF0     | Uses contents of FSR0 to address data memory – value of FSR0 not changed (not a physical register)                                 |           |         |   |  |        |        |           | ---- ----         |
| FF0h    | INTCON3   | INT2IP   | INT1IP    | INT3IE  | INT2IE  | INT1IE   | INT3IF | INT2IF | INT1IF    | 1100 0000         |
| FF1h    | INTCON2   | RBP $\bar{U}$  | INTEDG0   | INTEDG1 | INTEDG2   | INTEDG3  | TMR0IP | INT3IP | RBIP      | 1111 1111         |
| FF2h    | INTCON    | GIE/GIEH   | PEIE/GIEL | TMR0IE  | INT0IE  | RBIE   | TMR0IF | INT0IF | RBIF      | 0000 000x         |
| FF3h    | PRODL     | Product Register Low Byte  |           |         |   |  |        |        |           | xxxx xxxx         |
| FF4h    | PRODH     | Product Register High Byte   |           |         |   |  |        |        |           | xxxxxxxx          |
| FF5h    | TABLAT    | Program Memory Table Latch   |           |         |   |  |        |        |           | 0000 0000         |
| FF6h    | TBLPTRL   | Program Memory Table Pointer Low Byte (TBLPTR<7:0>)  |           |         |   |  |        |        |           | 0000 0000         |
| FF7h    | TBLPTRH   | Program Memory Table Pointer High Byte (TBLPTR<15:8>)  |           |         |   |  |        |        |           | 0000 0000         |
| FF8h    | TBLPTRU   | —  | —         | bit 21  | Program Memory Table Pointer Upper Byte (TBLPTR<20:16>) |  |        |        |           | --00 0000         |
| FF9h    | PCL       | PC Low Byte (PC<7:0>)  |           |         |   |  |        |        |           | 0000 0000         |
| FFAh    | PCLATH    | Holding Register for PC<15:8>  |           |         |   |  |        |        |           | 0000 0000         |
| FFBh    | PCLATU    | —  | —         | —       | Holding Register for PC<20:16>                          |  |        |        | ---0 0000 |                   |
| FFCh    | STKPTR    | STKFUL   | STKUNF    | —       | Return Stack Pointer                                    |  |        |        |           | uu-0 0000         |
| FFDh    | TOSL      | Top-of-Stack Low Byte (TOS<7:0>)   |           |         |   |  |        |        |           | 0000 0000         |
| FFEh    | TOSH      | Top-of-Stack High Byte (TOS<15:8>)   |           |         |   |  |        |        |           | 0000 0000         |
| FFFh    | TOSU      | —  | —         | —       | Top-of-Stack Upper Byte (TOS<20:16>)                    |  |        |        |           | ---0 0000         |

- Note**
- 1: This bit is available when Master Clear is disabled (MCLRE = 0). When MCLRE is set, the bit is unimplemented.
  - 2: Unimplemented in 64-pin devices (PIC18F6XK90).
  - 3: Unimplemented in devices with a program memory of 32 Kbytes (PIC18FX5K90).

# PIC18F87K90 FAMILY

## 6.3.5 STATUS REGISTER

The STATUS register, shown in [Register 6-2](#), contains the arithmetic status of the ALU. The STATUS register can be the operand for any instruction, as with any other register. If the STATUS register is the destination for an instruction that affects the Z, DC, C, OV or N bits, the write to these five bits is disabled.

These bits are set or cleared according to the device logic. Therefore, the result of an instruction with the STATUS register as destination may be different than intended. For example, `CLRF STATUS` will set the Z bit but leave the other bits unchanged. The STATUS register then reads back as '000u u1uu'.

It is recommended, therefore, that only `BCF`, `BSF`, `SWAPF`, `MOVFF` and `MOVWF` instructions be used to alter the STATUS register because these instructions do not affect the Z, C, DC, OV or N bits in the STATUS register.

For other instructions not affecting any Status bits, see the instruction set summaries in [Table 29-2](#) and [Table 29-3](#).

**Note:** The C and DC bits operate in subtraction, as borrow and digit borrow bits, respectively.

### REGISTER 6-2: STATUS REGISTER

|       |     |     |       |       |       |                   |                  |
|-------|-----|-----|-------|-------|-------|-------------------|------------------|
| U-0   | U-0 | U-0 | R/W-x | R/W-x | R/W-x | R/W-x             | R/W-x            |
| —     | —   | —   | N     | OV    | Z     | DC <sup>(1)</sup> | C <sup>(2)</sup> |
| bit 7 |     |     |       |       |       |                   | bit 0            |

#### Legend:

|                   |                  |                                    |
|-------------------|------------------|------------------------------------|
| R = Readable bit  | W = Writable bit | U = Unimplemented bit, read as '0' |
| -n = Value at POR | '1' = Bit is set | '0' = Bit is cleared               |
|                   |                  | x = Bit is unknown                 |

bit 7-5 **Unimplemented:** Read as '0'

bit 4 **N:** Negative bit

This bit is used for signed arithmetic (2's complement). It indicates whether the result was negative (ALU MSB = 1).

1 = Result was negative

0 = Result was positive

bit 3 **OV:** Overflow bit

This bit is used for signed arithmetic (2's complement). It indicates an overflow of the 7-bit magnitude which causes the sign bit (bit 7) to change state.

1 = Overflow occurred for signed arithmetic (in this arithmetic operation)

0 = No overflow occurred

bit 2 **Z:** Zero bit

1 = The result of an arithmetic or logic operation is zero

0 = The result of an arithmetic or logic operation is not zero

bit 1 **DC:** Digit Carry/Borrow bit<sup>(1)</sup>

For `ADDWF`, `ADDLW`, `SUBLW` and `SUBWF` instructions:

1 = A carry-out from the 4th low-order bit of the result occurred

0 = No carry-out from the 4th low-order bit of the result

bit 0 **C:** Carry/Borrow bit<sup>(2)</sup>

For `ADDWF`, `ADDLW`, `SUBLW` and `SUBWF` instructions:

1 = A carry-out from the Most Significant bit of the result occurred

0 = No carry-out from the Most Significant bit of the result occurred

**Note 1:** For borrow, the polarity is reversed. A subtraction is executed by adding the 2's complement of the second operand.

**Note 2:** For borrow, the polarity is reversed. A subtraction is executed by adding the 2's complement of the second operand.

# PIC18F87K90 FAMILY

## 6.4 Data Addressing Modes

**Note:** The execution of some instructions in the core PIC18 instruction set are changed when the PIC18 extended instruction set is enabled. For more information, see [Section 6.6 “Data Memory and the Extended Instruction Set”](#).

While the program memory can be addressed in only one way, through the Program Counter, information in the data memory space can be addressed in several ways. For most instructions, the addressing mode is fixed. Other instructions may use up to three modes, depending on which operands are used and whether or not the extended instruction set is enabled.

The addressing modes are:

- Inherent
- Literal
- Direct
- Indirect

An additional addressing mode, Indexed Literal Offset, is available when the extended instruction set is enabled (XINST Configuration bit = 1). For details on this mode's operation, see [Section 6.6.1 “Indexed Addressing with Literal Offset”](#).

### 6.4.1 INHERENT AND LITERAL ADDRESSING

Many PIC18 control instructions do not need any argument at all. They either perform an operation that globally affects the device or they operate implicitly on one register. This addressing mode is known as Inherent Addressing. Examples of this mode include `SLEEP`, `RESET` and `DAW`.

Other instructions work in a similar way, but require an additional explicit argument in the opcode. This method is known as the Literal Addressing mode because the instructions require some literal value as an argument. Examples of this include `ADDLW` and `MOVLW`, which respectively, add or move a literal value to the W register. Other examples include `CALL` and `GOTO`, which include a 20-bit program memory address.

### 6.4.2 DIRECT ADDRESSING

Direct Addressing specifies all or part of the source and/or destination address of the operation within the opcode itself. The options are specified by the arguments accompanying the instruction.

In the core PIC18 instruction set, bit-oriented and byte-oriented instructions use some version of Direct Addressing by default. All of these instructions include some 8-bit literal address as their Least Significant Byte. This address specifies the instruction's data source as either a register address in one of the banks

of data RAM (see [Section 6.3.3 “General Purpose Register File”](#)) or a location in the Access Bank (see [Section 6.3.2 “Access Bank”](#)).

The Access RAM bit 'a' determines how the address is interpreted. When 'a' is '1', the contents of the BSR ([Section 6.3.1 “Bank Select Register”](#)) are used with the address to determine the complete 12-bit address of the register. When 'a' is '0', the address is interpreted as being a register in the Access Bank. Addressing that uses the Access RAM is sometimes also known as Direct Forced Addressing mode.

A few instructions, such as `MOVFF`, include the entire 12-bit address (either source or destination) in their opcodes. In these cases, the BSR is ignored entirely.

The destination of the operation's results is determined by the destination bit, 'd'. When 'd' is '1', the results are stored back in the source register, overwriting its original contents. When 'd' is '0', the results are stored in the W register. Instructions without the 'd' argument have a destination that is implicit in the instruction, either the target register is being operated on or the W register.

### 6.4.3 INDIRECT ADDRESSING

Indirect Addressing allows the user to access a location in data memory without giving a fixed address in the instruction. This is done by using File Select Registers (FSRs) as pointers to the locations to be read or written to. Since the FSRs are themselves located in RAM as Special Function Registers, they can also be directly manipulated under program control. This makes FSRs very useful in implementing data structures such as tables and arrays in data memory.

The registers for Indirect Addressing are also implemented with Indirect File Operands (INDFs) that permit automatic manipulation of the pointer value with auto-incrementing, auto-decrementing or offsetting with another value. This allows for efficient code using loops, such as the example of clearing an entire RAM bank in [Example 6-5](#). It also enables users to perform Indexed Addressing and other Stack Pointer operations for program memory in data memory.

#### EXAMPLE 6-5: HOW TO CLEAR RAM (BANK 1) USING INDIRECT ADDRESSING

```
        LFSR   FSR0, 100h ;
NEXT    CLRF  POSTINC0    ; Clear INDF
                               ; register then
                               ; inc pointer
        BTFSS FSR0H, 1    ; All done with
                               ; Bank1?
        BRA   NEXT        ; NO, clear next
CONTINUE                               ; YES, continue
```



## 6.4.3.1 FSR Registers and the INDF Operand

At the core of Indirect Addressing are three sets of registers: FSR0, FSR1 and FSR2. Each represents a pair of 8-bit registers: FSRnH and FSRnL. The four upper bits of the FSRnH register are not used, so each FSR pair holds a 12-bit value. This represents a value that can address the entire range of the data memory in a linear fashion. The FSR register pairs, then, serve as pointers to data memory locations.

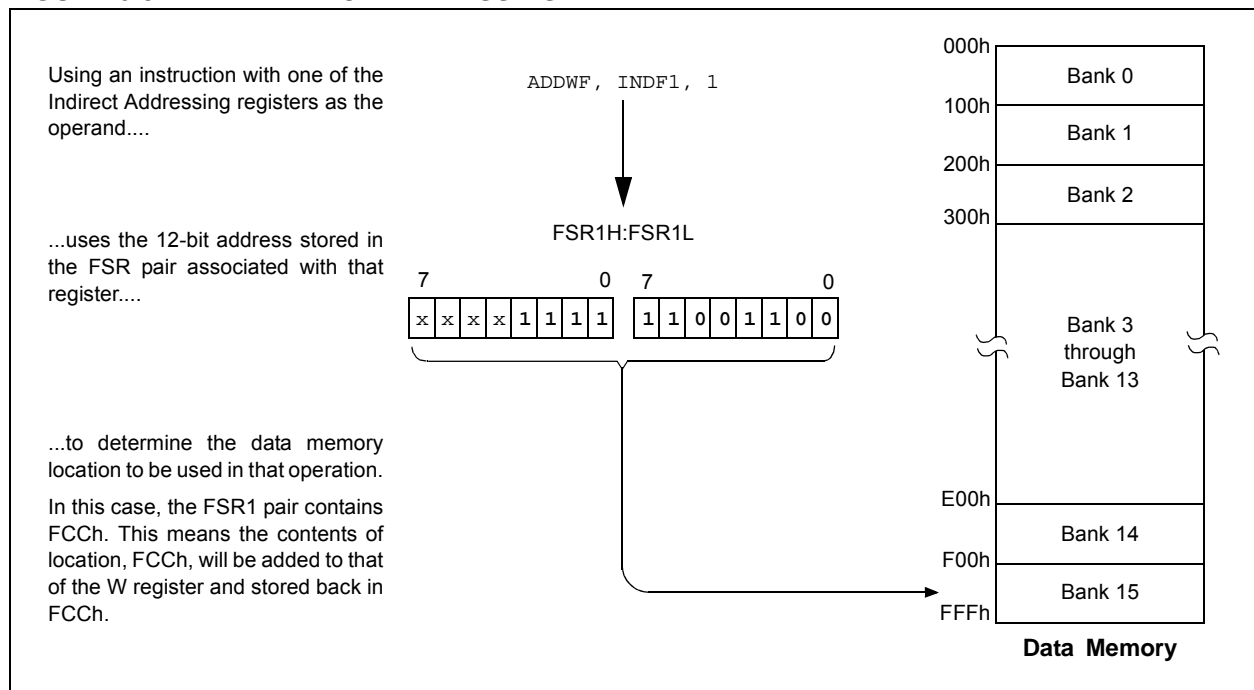
Indirect Addressing is accomplished with a set of Indirect File Operands, INDF0 through INDF2. These can be thought of as “virtual” registers. The operands

are mapped in the SFR space, but are not physically implemented. Reading or writing to a particular INDF register actually accesses its corresponding FSR register pair. A read from INDF1, for example, reads the data at the address indicated by FSR1H:FSR1L.

Instructions that use the INDF registers as operands actually use the contents of their corresponding FSR as a pointer to the instruction’s target. The INDF operand is just a convenient way of using the pointer.

Because Indirect Addressing uses a full 12-bit address, data RAM banking is not necessary. Thus, the current contents of the BSR and the Access RAM bit have no effect on determining the target address.

**FIGURE 6-8: INDIRECT ADDRESSING**



# PIC18F87K90 FAMILY

---

## 6.4.3.2 FSR Registers and POSTINC, POSTDEC, PREINC and PLUSW

In addition to the INDF operand, each FSR register pair also has four additional indirect operands. Like INDF, these are “virtual” registers that cannot be indirectly read or written to. Accessing these registers actually accesses the associated FSR register pair, but also performs a specific action on its stored value.

These operands are:

- POSTDEC – Accesses the FSR value, then automatically decrements it by ‘1’ afterwards
- POSTINC – Accesses the FSR value, then automatically increments it by ‘1’ afterwards
- PREINC – Increments the FSR value by ‘1’, then uses it in the operation
- PLUSW – Adds the signed value of the W register (range of -127 to 128) to that of the FSR and uses the new value in the operation

In this context, accessing an INDF register uses the value in the FSR registers without changing them. Similarly, accessing a PLUSW register gives the FSR value, offset by the value in the W register – with neither value actually changed in the operation. Accessing the other virtual registers changes the value of the FSR registers.

Operations on the FSRs with POSTDEC, POSTINC and PREINC affect the entire register pair. Rollovers of the FSRnL register, from FFh to 00h, carry over to the FSRnH register. On the other hand, results of these operations do not change the value of any flags in the STATUS register (for example, Z, N and OV bits).

The PLUSW register can be used to implement a form of Indexed Addressing in the data memory space. By manipulating the value in the W register, users can reach addresses that are fixed offsets from pointer addresses. In some applications, this can be used to implement some powerful program control structure, such as software stacks, inside of data memory.

## 6.4.3.3 Operations by FSRs on FSRs

Indirect Addressing operations that target other FSRs or virtual registers represent special cases. For example, using an FSR to point to one of the virtual registers will not result in successful operations.

As a specific case, assume that the FSR0H:FSR0L registers contain FE7h, the address of INDF1. Attempts to read the value of the INDF1, using INDF0 as an operand, will return 00h. Attempts to write to INDF1, using INDF0 as the operand, will result in a NOP.

On the other hand, using the virtual registers to write to an FSR pair may not occur as planned. In these cases, the value will be written to the FSR pair, but without any incrementing or decrementing. Thus, writing to INDF2 or POSTDEC2 will write the same value to the FSR2H:FSR2L.

Since the FSRs are physical registers mapped in the SFR space, they can be manipulated through all direct operations. Users should proceed cautiously when working on these registers, however, particularly if their code uses Indirect Addressing.

Similarly, operations by Indirect Addressing are generally permitted on all other SFRs. Users should exercise the appropriate caution, so that they do not inadvertently change settings that might affect the operation of the device.

## 6.5 Program Memory and the Extended Instruction Set

The operation of program memory is unaffected by the use of the extended instruction set.

Enabling the extended instruction set adds five additional two-word commands to the existing PIC18 instruction set: ADDFSR, CALLW, MOVSF, MOVSS and SUBFSR. These instructions are executed as described in [Section 6.2.4 “Two-Word Instructions”](#).

## 6.6 Data Memory and the Extended Instruction Set

Enabling the PIC18 extended instruction set (XINST Configuration bit = 1) significantly changes certain aspects of data memory and its addressing. Using the Access Bank for many of the core PIC18 instructions introduces a new addressing mode for the data memory space. This mode also alters the behavior of Indirect Addressing using FSR2 and its associated operands.

What does not change is just as important. The size of the data memory space is unchanged, as well as its linear addressing. The SFR map remains the same. Core PIC18 instructions can still operate in both Direct and Indirect Addressing mode. Inherent and literal instructions do not change at all. Indirect Addressing with FSR0 and FSR1 also remains unchanged.

### 6.6.1 INDEXED ADDRESSING WITH LITERAL OFFSET

Enabling the PIC18 extended instruction set changes the behavior of Indirect Addressing using the FSR2 register pair and its associated file operands. Under the proper conditions, instructions that use the Access Bank – that is, most bit-oriented and byte-oriented instructions – can invoke a form of Indexed Addressing using an offset specified in the instruction. This special addressing mode is known as Indexed Addressing with Literal Offset or the Indexed Literal Offset mode.

When using the extended instruction set, this addressing mode requires the following:

- Use of the Access Bank ('a' = 0)
- A file address argument that is less than or equal to 5Fh

Under these conditions, the file address of the instruction is not interpreted as the lower byte of an address (used with the BSR in Direct Addressing) or as an 8-bit address in the Access Bank. Instead, the value is interpreted as an offset value to an Address Pointer specified by FSR2. The offset and the contents of FSR2 are added to obtain the target address of the operation.

### 6.6.2 INSTRUCTIONS AFFECTED BY INDEXED LITERAL OFFSET MODE

Any of the core PIC18 instructions that can use Direct Addressing are potentially affected by the Indexed Literal Offset Addressing mode. This includes all byte-oriented and bit-oriented instructions, or almost one-half of the standard PIC18 instruction set. Instructions that only use Inherent or Literal Addressing modes are unaffected.

Additionally, byte-oriented and bit-oriented instructions are not affected if they do not use the Access Bank (Access RAM bit = 1) or include a file address of 60h or above. Instructions meeting these criteria will continue to execute as before. A comparison of the different possible addressing modes, when the extended instruction set is enabled, is shown in [Figure 6-9](#).

Those who desire to use byte-oriented or bit-oriented instructions in the Indexed Literal Offset mode should note the changes to assembler syntax for this mode. This is described in more detail in [Section 29.2.1 “Extended Instruction Syntax”](#).

# PIC18F87K90 FAMILY

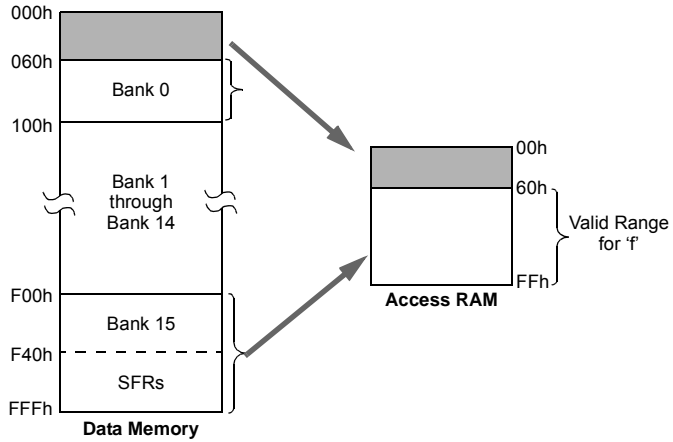
**FIGURE 6-9: COMPARING ADDRESSING OPTIONS FOR BIT-ORIENTED AND BYTE-ORIENTED INSTRUCTIONS (EXTENDED INSTRUCTION SET ENABLED)**

**EXAMPLE INSTRUCTION:** ADDWF, f, d, a (Opcode: 0010 01da ffff ffff)

**When a = 0 and f ≥ 60h:**

The instruction executes in Direct Forced mode. 'f' is interpreted as a location in the Access RAM, between 060h and FFFh. This is the same as locations, F60h to FFFh (Bank 15), of data memory.

Locations below 060h are not available in this addressing mode.



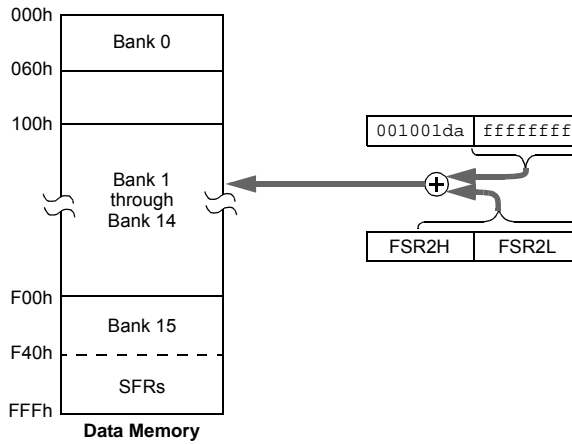
**When a = 0 and f ≤ 5Fh:**

The instruction executes in Indexed Literal Offset mode. 'f' is interpreted as an offset to the address value in FSR2. The two are added together to obtain the address of the target register for the instruction. The address can be anywhere in the data memory space.

Note that in this mode, the correct syntax is now:

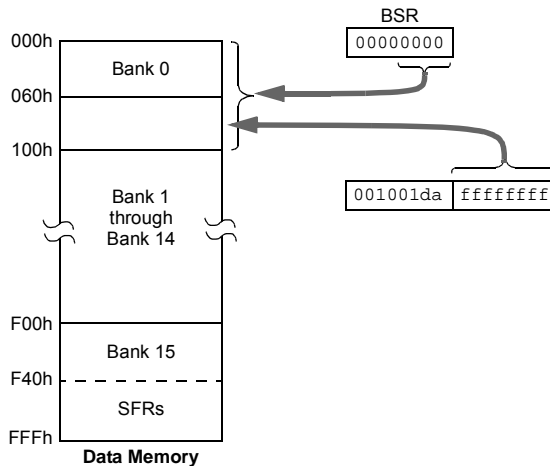
ADDWF [k], d

where 'k' is the same as 'f'.



**When a = 1 (all values of f):**

The instruction executes in Direct mode (also known as Direct Long mode). 'f' is interpreted as a location in one of the 16 banks of the data memory space. The bank is designated by the Bank Select Register (BSR). The address can be in any implemented bank in the data memory space.



## 6.6.3 MAPPING THE ACCESS BANK IN INDEXED LITERAL OFFSET MODE

The use of Indexed Literal Offset Addressing mode effectively changes how the lower part of Access RAM (00h to 5Fh) is mapped. Rather than containing just the contents of the bottom part of Bank 0, this mode maps the contents from Bank 0 and a user-defined “window” that can be located anywhere in the data memory space.

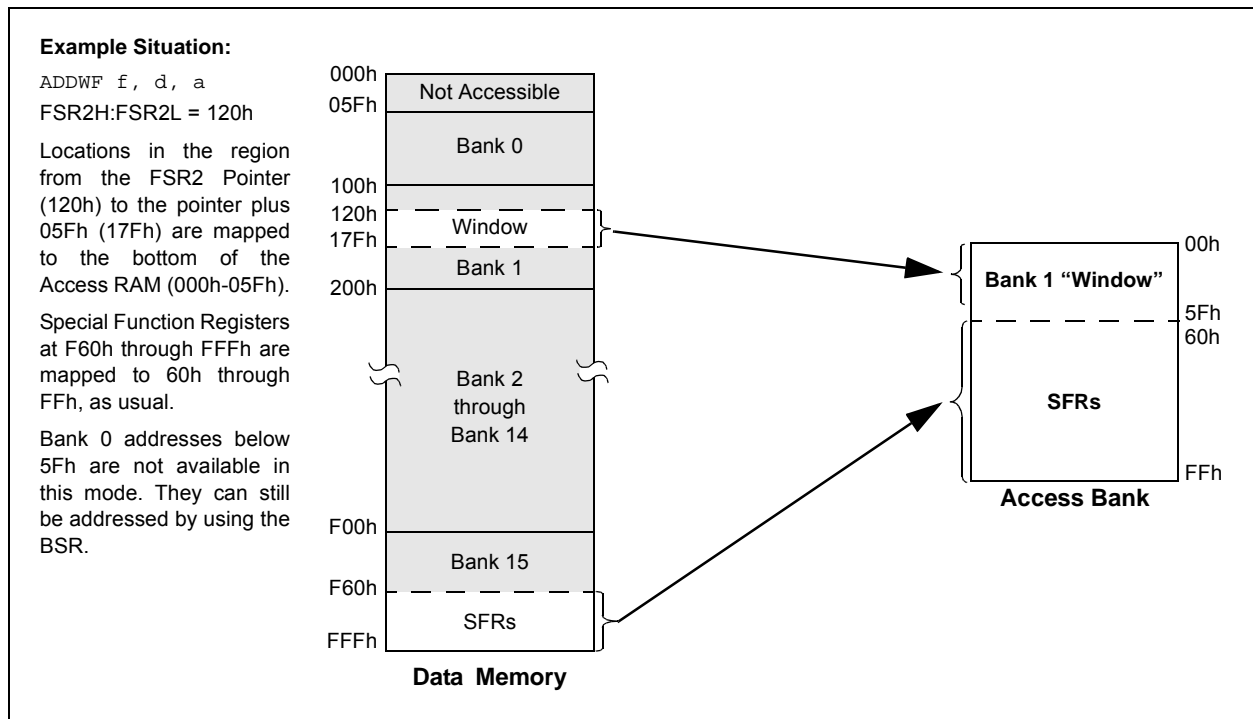
The value of FSR2 establishes the lower boundary of the addresses mapped into the window, while the upper boundary is defined by FSR2 plus 95 (5Fh). Addresses in the Access RAM above 5Fh are mapped as previously described. (See [Section 6.3.2 “Access Bank”](#).) An example of Access Bank remapping in this addressing mode is shown in [Figure 6-10](#).

Remapping the Access Bank applies *only* to operations using the Indexed Literal Offset mode. Operations that use the BSR (Access RAM bit = 1) will continue to use Direct Addressing as before. Any Indirect or Indexed Addressing operation that explicitly uses any of the indirect file operands (including FSR2) will continue to operate as standard Indirect Addressing. Any instruction that uses the Access Bank, but includes a register address of greater than 05Fh, will use Direct Addressing and the normal Access Bank map.

## 6.6.4 BSR IN INDEXED LITERAL OFFSET MODE

Although the Access Bank is remapped when the extended instruction set is enabled, the operation of the BSR remains unchanged. Direct Addressing, using the BSR to select the data memory bank, operates in the same manner as previously described.

**FIGURE 6-10: REMAPPING THE ACCESS BANK WITH INDEXED LITERAL OFFSET ADDRESSING**



# PIC18F87K90 FAMILY

---

NOTES:

## 7.0 FLASH PROGRAM MEMORY

The Flash program memory is readable, writable and erasable during normal operation over the entire VDD range.

A read from program memory is executed on one byte at a time. For execution of a write to, or erasure of, program memory:

- Memory of 32 Kbytes and 64 Kbytes (PIC18FX5K90 and PIC18FX6K90 devices) – Blocks of 64 bytes
- Memory of 128 Kbytes (PIC18FX7K90 devices) – Blocks of 128 bytes

Writing or erasing program memory will cease instruction fetches until the operation is complete. The program memory cannot be accessed during the write or erase, therefore, code cannot execute. An internal programming timer terminates program memory writes and erases.

A value written to program memory does not need to be a valid instruction. Executing a program memory location that forms an invalid instruction results in a NOP.

## 7.1 Table Reads and Table Writes

In order to read and write program memory, there are two operations that allow the processor to move bytes between the program memory space and the data RAM:

- Table Read (TBLRD)
- Table Write (TBLWT)

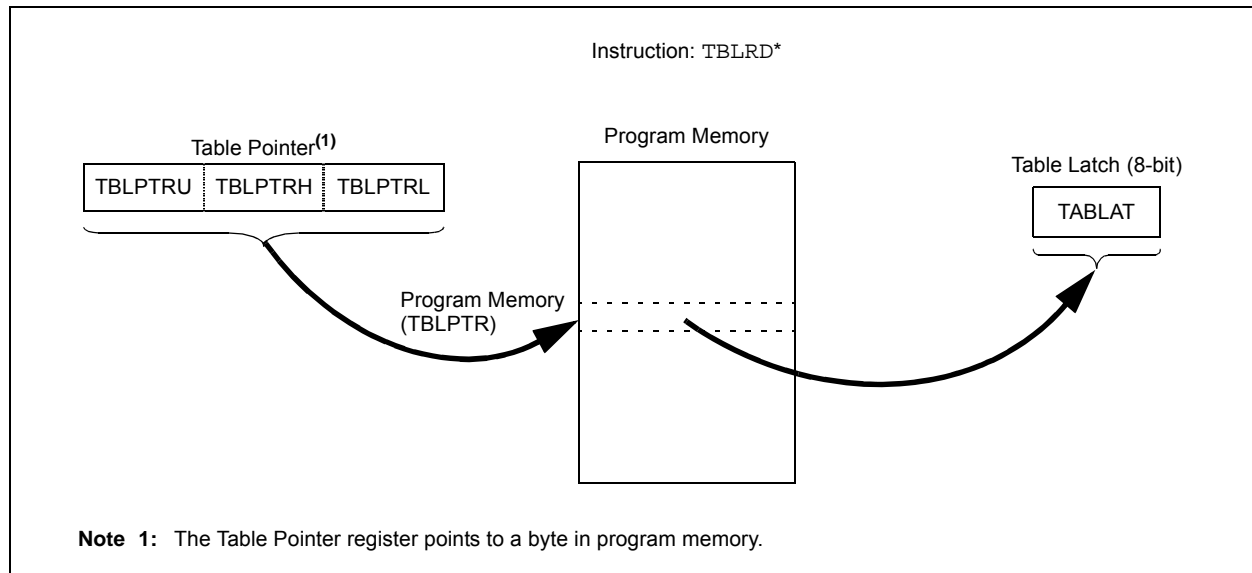
The program memory space is 16 bits wide, while the data RAM space is 8 bits wide. Table reads and table writes move data between these two memory spaces through an 8-bit register (TABLAT).

Table read operations retrieve data from program memory and place it into the data RAM space. [Figure 7-1](#) shows the operation of a table read with program memory and data RAM.

Table write operations store data from the data memory space into holding registers in program memory. The procedure to write the contents of the holding registers into program memory is detailed in [Section 7.5 “Writing to Flash Program Memory”](#). [Figure 7-2](#) shows the operation of a table write with program memory and data RAM.

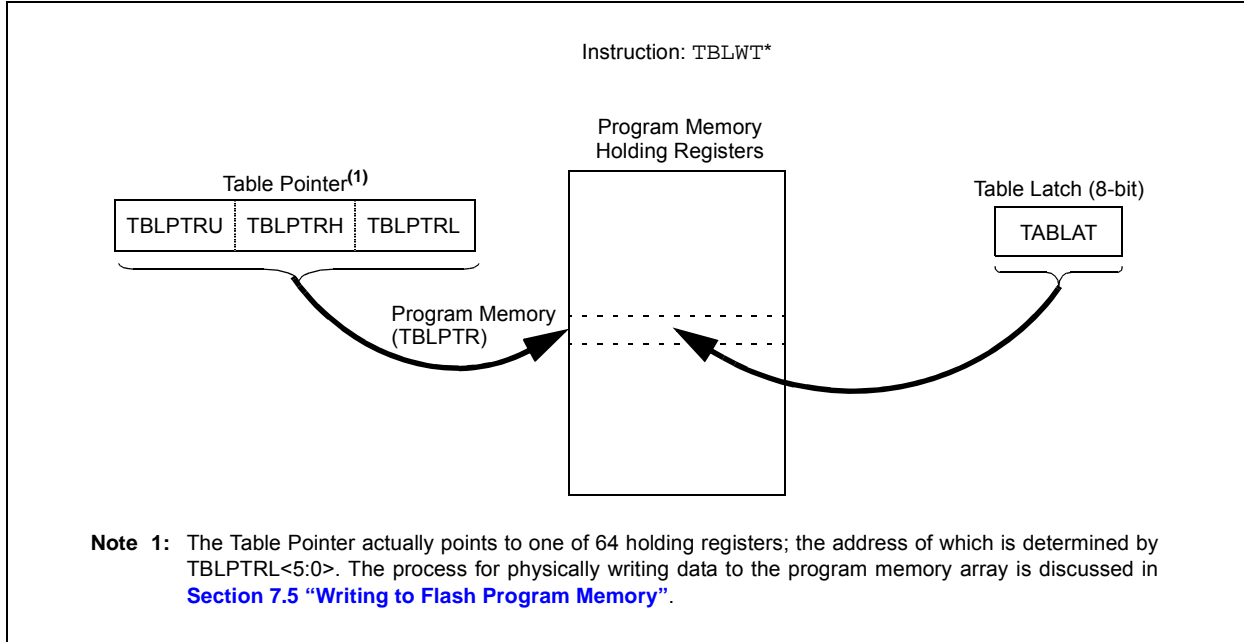
Table operations work with byte entities. A table block containing data, rather than program instructions, is not required to be word-aligned. Therefore, a table block can start and end at any byte address. If a table write is being used to write executable code into program memory, program instructions will need to be word-aligned.

**FIGURE 7-1: TABLE READ OPERATION**



# PIC18F87K90 FAMILY

FIGURE 7-2: TABLE WRITE OPERATION



## 7.2 Control Registers

Several control registers are used in conjunction with the TBLRD and TBLWT instructions. These include the:

- EECON1 register
- EECON2 register
- TABLAT register
- TBLPTR registers

### 7.2.1 EECON1 AND EECON2 REGISTERS

The EECON1 register ([Register 7-1](#)) is the control register for memory accesses. The EECON2 register, not a physical register, is used exclusively in the memory write and erase sequences. Reading EECON2 will read all '0's.

The EEPGD control bit determines if the access is a program or data EEPROM memory access. When clear, any subsequent operations operate on the data EEPROM memory. When set, any subsequent operations operate on the program memory.

The CFGS control bit determines if the access is to the Configuration/Calibration registers or to program memory/data EEPROM memory. When set, subsequent operations operate on Configuration registers regardless of EEPGD (see [Section 28.0 "Special Features of the CPU"](#)). When clear, memory selection access is determined by EEPGD.

The FREE bit, when set, allows a program memory erase operation. When FREE is set, the erase operation is initiated on the next WR command. When FREE is clear, only writes are enabled.

The WREN bit, when set, allows a write operation. On power-up, the WREN bit is clear. The WRERR bit is set in hardware when the WR bit is set and cleared when the internal programming timer expires and the write operation is complete.

**Note:** During normal operation, the WRERR is read as '1'. This can indicate that a write operation was prematurely terminated by a Reset, or a write operation was attempted improperly.

The WR control bit initiates write operations. The bit cannot be cleared, only set, in software. It is cleared in hardware at the completion of the write operation.

**Note:** The EEIF interrupt flag bit (PIR6<4>) is set when the write is complete. It must be cleared in software.



# PIC18F87K90 FAMILY

## REGISTER 7-1: EECON1: EEPROM CONTROL REGISTER 1

|       |       |     |       |                      |       |       |       |
|-------|-------|-----|-------|----------------------|-------|-------|-------|
| R/W-x | R/W-x | U-0 | R/W-0 | R/W-x                | R/W-0 | R/S-0 | R/S-0 |
| EEPGD | CFGS  | —   | FREE  | WRERR <sup>(1)</sup> | WREN  | WR    | RD    |
| bit 7 |       |     |       |                      |       |       | bit 0 |

|                   |                                    |
|-------------------|------------------------------------|
| <b>Legend:</b>    | S = Settable bit                   |
| R = Readable bit  | W = Writable bit                   |
| -n = Value at POR | '1' = Bit is set                   |
|                   | U = Unimplemented bit, read as '0' |
|                   | '0' = Bit is cleared               |
|                   | x = Bit is unknown                 |

- bit 7      **EEPGD:** Flash Program or Data EEPROM Memory Select bit  
 1 = Access Flash program memory  
 0 = Access data EEPROM memory
- bit 6      **CFGS:** Flash Program/Data EEPROM or Configuration Select bit  
 1 = Access Configuration registers  
 0 = Access Flash program or data EEPROM memory
- bit 5      **Unimplemented:** Read as '0'
- bit 4      **FREE:** Flash Block Erase Enable bit  
 1 = Erase the program memory row addressed by TBLPTR on the next WR command  
 (cleared by completion of erase operation)  
 0 = Perform write-only
- bit 3      **WRERR:** Flash Program/Data EEPROM Error Flag bit<sup>(1)</sup>  
 1 = A write operation is prematurely terminated (any Reset during self-timed programming in normal operation or an improper write attempt)  
 0 = The write operation completed
- bit 2      **WREN:** Flash Program/Data EEPROM Write Enable bit  
 1 = Allows write cycles to Flash program/data EEPROM  
 0 = Inhibits write cycles to Flash program/data EEPROM
- bit 1      **WR:** Write-Control bit  
 1 = Initiates a data EEPROM erase/write cycle, or a program memory erase cycle or write cycle  
 (The operation is self-timed and the bit is cleared by hardware once write is complete.  
 The WR bit can only be set (not cleared) in software.)  
 0 = Write cycle to the EEPROM is complete
- bit 0      **RD:** Read Control bit  
 1 = Initiates an EEPROM read (Read takes one cycle. RD is cleared in hardware. The RD bit can only  
 be set (not cleared) in software. The RD bit cannot be set when EEGD = 1 or CFGS = 1.)  
 0 = Does not initiate an EEPROM read

**Note 1:** When a WRERR occurs, the EEGD and CFGS bits are not cleared. This allows tracing of the error condition.

# PIC18F87K90 FAMILY

## 7.2.2 TABLAT – TABLE LATCH REGISTER

The Table Latch (TABLAT) is an 8-bit register mapped into the SFR space. The Table Latch register is used to hold 8-bit data during data transfers between program memory and data RAM.

## 7.2.3 TBLPTR – TABLE POINTER REGISTER

The Table Pointer (TBLPTR) register addresses a byte within the program memory. The TBLPTR is comprised of three SFR registers: Table Pointer Upper Byte, Table Pointer High Byte and Table Pointer Low Byte (TBLPTRU:TBLPTRH:TBLPTRL). These three registers join to form a 22-bit wide pointer. The low-order 21 bits allow the device to address up to 2 Mbytes of program memory space. The 22nd bit allows access to the Device ID, the User ID and the Configuration bits.

The Table Pointer register, TBLPTR, is used by the TBLRD and TBLWT instructions. These instructions can update the TBLPTR in one of four ways, based on the table operation. These operations are shown in Table 7-1 and only affect the low-order 21 bits.

## 7.2.4 TABLE POINTER BOUNDARIES

The TBLPTR is used in reads, writes and erases of the Flash program memory.

When a TBLRD is executed, all 22 bits of the TBLPTR determine which byte is read from program memory into the TABLAT.

When a TBLWT is executed, the six LSBs of the Table Pointer register (TBLPTR<5:0>) determine which of the 64 program memory holding registers is written to. When the timed write to program memory begins (via the WR bit), the 16 MSBs of the TBLPTR (TBLPTR<21:6>) determine which program memory block of 64 bytes is written to. For more details, see Section 7.5 “Writing to Flash Program Memory”.

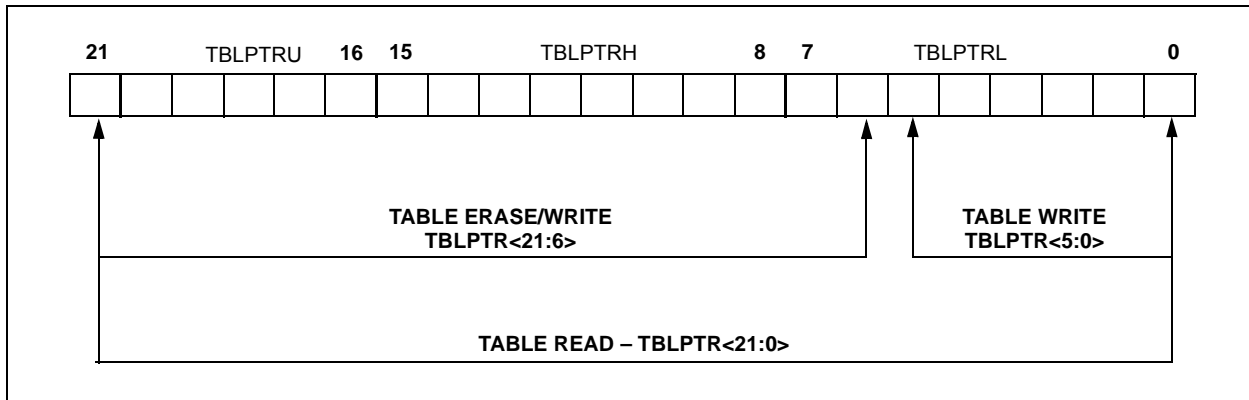
When an erase of program memory is executed, the 16 MSBs of the Table Pointer register (TBLPTR<21:6>) point to the 64-byte block that will be erased. The Least Significant bits (TBLPTR<5:0>) are ignored.

Figure 7-3 describes the relevant boundaries of TBLPTR based on Flash program memory operations.

**TABLE 7-1: TABLE POINTER OPERATIONS WITH TBLRD AND TBLWT INSTRUCTIONS**

| Example            | Operation on Table Pointer                  |
|--------------------|---|
| TBLRD*<br>TBLWT*   | TBLPTR is not modified                      |
| TBLRD*+<br>TBLWT*+ | TBLPTR is incremented after the read/write  |
| TBLRD*-<br>TBLWT*- | TBLPTR is decremented after the read/write  |
| TBLRD+*<br>TBLWT+* | TBLPTR is incremented before the read/write |

**FIGURE 7-3: TABLE POINTER BOUNDARIES BASED ON OPERATION**



# PIC18F87K90 FAMILY

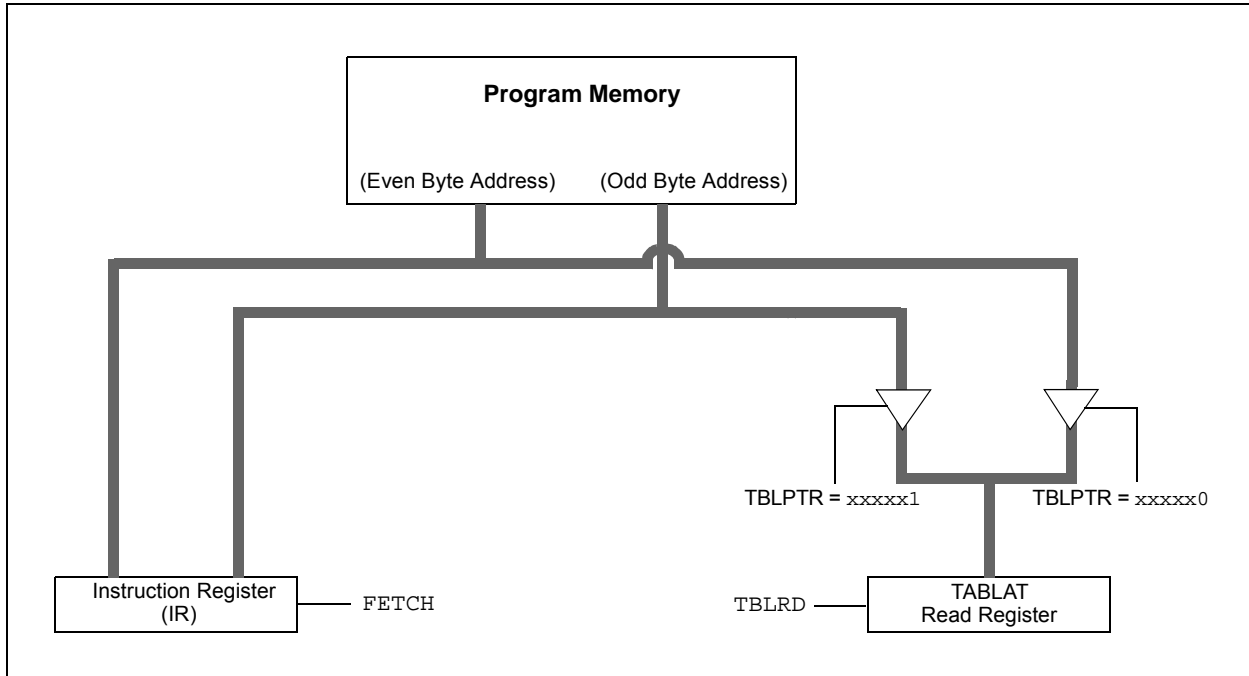
## 7.3 Reading the Flash Program Memory

The `TBLRD` instruction is used to retrieve data from program memory and places it into data RAM. Table reads from program memory are performed one byte at a time.

The `TBLPTR` points to a byte address in program memory space. Executing `TBLRD` places the byte pointed to into `TABLAT`. In addition, `TBLPTR` can be modified automatically for the next table read operation.

The internal program memory is typically organized by words. The Least Significant bit of the address selects between the high and low bytes of the word. [Figure 7-4](#) shows the interface between the internal program memory and the `TABLAT`.

**FIGURE 7-4: READS FROM FLASH PROGRAM MEMORY**



### EXAMPLE 7-1: READING A FLASH PROGRAM MEMORY WORD

```
BCF    EECON1, CFGS           ; point to Flash program memory
BSF    EECON1, EEPGD         ; access Flash program memory
MOVLW  CODE_ADDR_UPPER      ; Load TBLPTR with the base
MOVWF  TBLPTRU               ; address of the word
MOVLW  CODE_ADDR_HIGH
MOVWF  TBLPTRH
MOVLW  CODE_ADDR_LOW
MOVWF  TBLPTRL
READ_WORD
TBLRD*+                          ; read into TABLAT and increment
MOVF  TABLAT, W              ; get data
MOVWF WORD_EVEN
TBLRD*+                          ; read into TABLAT and increment
MOVF  TABLAT, W              ; get data
MOVWF WORD_ODD
```

# PIC18F87K90 FAMILY

## 7.4 Erasing Flash Program Memory

The erase block is 32 words or 64 bytes for the PIC18FX5K90 and PIC18FX6K90 devices, and 64 words or 128 bytes for the PIC18FX7K90 devices. Word erase in the Flash array is not supported.

When initiating an erase sequence from the microcontroller itself, a block of 64 or 128 bytes of program memory is erased. The Most Significant 16 bits of the TBLPTR<21:6> point to the block being erased. The TBLPTR<5:0> bits are ignored.

The EECON1 register commands the erase operation. The EEPGD bit must be set to point to the Flash program memory. The WREN bit must be set to enable write operations. The FREE bit is set to select an erase operation.

For protection, the write initiate sequence for EECON2 must be used.

A long write is necessary for erasing the internal Flash. Instruction execution is halted while in a long write cycle. The long write will be terminated by the internal programming timer.

### 7.4.1 FLASH PROGRAM MEMORY ERASE SEQUENCE

The sequence of events for erasing a block of internal program memory location is:

1. Load the Table Pointer register with the address of the row to be erased.
2. Set the EECON1 register for the erase operation:
  - Set the EEPGD bit to point to program memory
  - Clear the CFGS bit to access program memory
  - Set the WREN bit to enable writes
  - Set the FREE bit to enable the erase
3. Disable the interrupts.
4. Write 0x55 to EECON2.
5. Write 0xAA to EECON2.
6. Set the WR bit.

This begins the row erase cycle.

The CPU will stall for the duration of the erase for  $T_{iw}$ . (See Parameter [D133A](#).)
7. Re-enable interrupts.

#### EXAMPLE 7-2: ERASING A FLASH PROGRAM MEMORY ROW

|                          |       |                 |  |                                 |
|--------------------------|-------|-----------------|--|---------------------------------|
|                          | MOVLW | CODE_ADDR_UPPER |  | ; load TBLPTR with the base     |
|                          | MOVWF | TBLPTRU         |  | ; address of the memory block   |
|                          | MOVLW | CODE_ADDR_HIGH  |  |                                 |
|                          | MOVWF | TBLPTRH         |  |                                 |
|                          | MOVLW | CODE_ADDR_LOW   |  |                                 |
|                          | MOVWF | TBLPTRL         |  |                                 |
| ERASE_ROW                |       |                 |  |                                 |
|                          | BSF   | EECON1, EEPGD   |  | ; point to Flash program memory |
|                          | BCF   | EECON1, CFGS    |  | ; access Flash program memory   |
|                          | BSF   | EECON1, WREN    |  | ; enable write to memory        |
|                          | BSF   | EECON1, FREE    |  | ; enable Row Erase operation    |
|                          | BCF   | INTCON, GIE     |  | ; disable interrupts            |
| <b>Required Sequence</b> | MOVLW | 0x55            |  |                                 |
|                          | MOVWF | EECON2          |  | ; write 55h                     |
|                          | MOVLW | 0xAA            |  |                                 |
|                          | MOVWF | EECON2          |  | ; write 0AAh                    |
|                          | BSF   | EECON1, WR      |  | ; start erase (CPU stall)       |
|                          | BSF   | INTCON, GIE     |  | ; re-enable interrupts          |

## 7.5 Writing to Flash Program Memory

The programming block is 32 words or 64 bytes for PIC18FX5K90 and PIC18FX6K90 devices, and 64 words or 128 bytes for PIC18FX7K90 devices. Word or byte programming is not supported.

Table writes are used internally to load the holding registers needed to program the Flash memory. There are 64 holding registers for PIC18FX5K90 and PIC18FX6K90 devices and 128 holding registers for PIC18FX7K90 used by the table writes for programming.

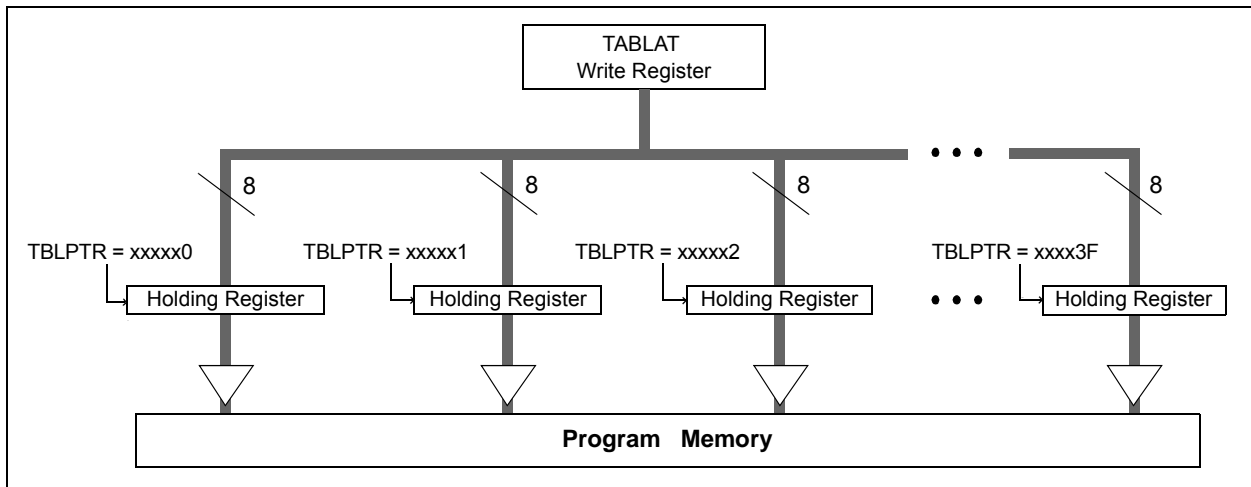
Since the Table Latch (TABLAT) is only a single byte, the TBLWT instruction may need to be executed 64 times for each programming operation. All of the table write operations will essentially be short writes because only the holding registers are written. At the end of updating the 64 or 128 holding registers, the EECON1 register must be written to in order to start the programming operation with a long write.

The long write is necessary for programming the internal Flash. Instruction execution is halted while in a long write cycle. The long write is terminated by the internal programming timer.

The EEPROM on-chip timer controls the write time. The write/erase voltages are generated by an on-chip charge pump, rated to operate over the voltage range of the device.

**Note:** The default value of the holding registers on device Resets, and after write operations, is FFh. A write of FFh to a holding register does not modify that byte. This means that individual bytes of program memory may be modified, provided that the change does not attempt to change any bit from a '0' to a '1'. When modifying individual bytes, it is not necessary to load all 64 or 128 holding registers before executing a write operation.

**FIGURE 7-5: TABLE WRITES TO FLASH PROGRAM MEMORY**



### 7.5.1 FLASH PROGRAM MEMORY WRITE SEQUENCE

The sequence of events for programming an internal program memory location should be:

1. Read the 64 or 128 bytes into RAM.
2. Update the data values in RAM as necessary.
3. Load the Table Pointer register with the address being erased.
4. Execute the row erase procedure.
5. Load the Table Pointer register with the address of the first byte being written.
6. Write the 64 or 128 bytes into the holding registers with auto-increment.
7. Set the EECON1 register for the write operation:
  - Set the EEPGD bit to point to program memory
  - Clear the CFGS bit to access program memory
  - Set WREN to enable byte writes
8. Disable the interrupts.

9. Write 0x55 to EECON2.
10. Write 0xAA to EECON2.
11. Set the WR bit. This will begin the write cycle. The CPU will stall for the duration of the write for  $T_{W}$ . (See Parameter [D133A](#).)
12. Re-enable the interrupts.
13. Verify the memory (table read).

An example of the required code is shown in [Example 7-3](#).

**Note:** Before setting the WR bit, the Table Pointer address needs to be within the intended address range of 64 or 128 bytes in the holding register.

**Note:** Self-write execution to Flash and EEPROM memory cannot be done while running in LP Oscillator mode (Low-Power mode). Therefore, executing a self-write will put the device into High-Power mode.

# PIC18F87K90 FAMILY

## EXAMPLE 7-3: WRITING TO FLASH PROGRAM MEMORY

```

MOV LW  SIZE_OF_BLOCK          ; number of bytes in erase block
MOV WF  COUNTER
MOV LW  BUFFER_ADDR_HIGH      ; point to buffer
MOV WF  FSR0H
MOV LW  BUFFER_ADDR_LOW
MOV WF  FSR0L
MOV LW  CODE_ADDR_UPPER      ; Load TBLPTR with the base
MOV WF  TBLPTRU              ; address of the memory block
MOV LW  CODE_ADDR_HIGH
MOV WF  TBLPTRH
MOV LW  CODE_ADDR_LOW
MOV WF  TBLPTRL

READ_BLOCK
TBLRD*+                        ; read into TABLAT, and inc
MOV F   TABLAT, W             ; get data
MOV WF  POSTINC0             ; store data
DECFSZ  COUNTER              ; done?
BRA     READ_BLOCK           ; repeat

MODIFY_WORD
MOV LW  DATA_ADDR_HIGH      ; point to buffer
MOV WF  FSR0H
MOV LW  DATA_ADDR_LOW
MOV WF  FSR0L
MOV LW  NEW_DATA_LOW         ; update buffer word
MOV WF  POSTINC0
MOV LW  NEW_DATA_HIGH
MOV WF  INDF0

ERASE_BLOCK
MOV LW  CODE_ADDR_UPPER      ; load TBLPTR with the base
MOV WF  TBLPTRU              ; address of the memory block
MOV LW  CODE_ADDR_HIGH
MOV WF  TBLPTRH
MOV LW  CODE_ADDR_LOW
MOV WF  TBLPTRL
BSF     EECON1, EEPGD        ; point to Flash program memory
BCF     EECON1, CFGS         ; access Flash program memory
BSF     EECON1, WREN         ; enable write to memory
BSF     EECON1, FREE         ; enable Row Erase operation
BCF     INTCON, GIE          ; disable interrupts

Required
Sequence
MOV LW  0x55
MOV WF  EECON2                ; write 55h
MOV LW  0xAA
MOV WF  EECON2                ; write 0AAh
BSF     EECON1, WR           ; start erase (CPU stall)
BSF     INTCON, GIE          ; re-enable interrupts
TBLRD*-                        ; dummy read decrement
MOV LW  BUFFER_ADDR_HIGH      ; point to buffer
MOV WF  FSR0H
MOV LW  BUFFER_ADDR_LOW
MOV WF  FSR0L

WRITE_BUFFER_BACK
MOV LW  SIZE_OF_BLOCK        ; number of bytes in holding register
MOV WF  COUNTER

WRITE_BYTE_TO_HREGS
MOV FF  POSTINC0, WREG        ; get low byte of buffer data
MOV WF  TABLAT                ; present data to table latch
TBLWT*+                        ; write data, perform a short write
; to internal TBLWT holding register.
DECFSZ  COUNTER              ; loop until buffers are full
GOTO    WRITE_BYTE_TO_HREGS

```

# PIC18F87K90 FAMILY

## EXAMPLE 7-3: WRITING TO FLASH PROGRAM MEMORY (CONTINUED)

|                          |       |               |  |  |  |  |  |  |  |                                 |
|--------------------------|-------|---------------|--|--|--|--|--|--|--|---------------------------------|
| PROGRAM_MEMORY           |       |               |  |  |  |  |  |  |  |                                 |
|                          | BSF   | EECON1, EEPGD |  |  |  |  |  |  |  | ; point to Flash program memory |
|                          | BCF   | EECON1, CFGS  |  |  |  |  |  |  |  | ; access Flash program memory   |
|                          | BSF   | EECON1, WREN  |  |  |  |  |  |  |  | ; enable write to memory        |
|                          | BCF   | INTCON, GIE   |  |  |  |  |  |  |  | ; disable interrupts            |
|                          | MOVLW | 0x55          |  |  |  |  |  |  |  |                                 |
| <b>Required Sequence</b> | MOVWF | EECON2        |  |  |  |  |  |  |  | ; write 55h                     |
|                          | MOVLW | 0xAA          |  |  |  |  |  |  |  |                                 |
|                          | MOVWF | EECON2        |  |  |  |  |  |  |  | ; write 0AAh                    |
|                          | BSF   | EECON1, WR    |  |  |  |  |  |  |  | ; start program (CPU stall)     |
|                          | BSF   | INTCON, GIE   |  |  |  |  |  |  |  | ; re-enable interrupts          |
|                          | BCF   | EECON1, WREN  |  |  |  |  |  |  |  | ; disable write to memory       |

### 7.5.2 WRITE VERIFY

Depending on the application, good programming practice may dictate that the value written to the memory should be verified against the original value. This should be used in applications where excessive writes can stress bits near the specification limit.

### 7.5.3 UNEXPECTED TERMINATION OF WRITE OPERATION

If a write is terminated by an unplanned event, such as loss of power or an unexpected Reset, the memory location just programmed should be verified and reprogrammed if needed. If the write operation is interrupted by a MCLR Reset or a WDT Time-out Reset during normal operation, the user can check the WRERR bit and rewrite the location(s) as needed.

### 7.5.4 PROTECTION AGAINST SPURIOUS WRITES

To protect against spurious writes to Flash program memory, the write initiate sequence must also be followed. See [Section 28.0 “Special Features of the CPU”](#) for more details.

## 7.6 Flash Program Operation During Code Protection

See [Section 28.6 “Program Verification and Code Protection”](#) for details on code protection of Flash program memory.

**TABLE 7-2: REGISTERS ASSOCIATED WITH PROGRAM FLASH MEMORY**

| Name    | Bit 7   | Bit 6     | Bit 5                 | Bit 4   | Bit 3 | Bit 2  | Bit 1  | Bit 0  | Reset Values on Page: |
|---------|---|-----------|-----------------------|---|-------|--------|--------|--------|-----------------------|
| TBLPTRU | —   | —         | bit 21 <sup>(1)</sup> | Program Memory Table Pointer Upper Byte (TBLPTR<20:16>) |       |        |        |        | 75                    |
| TBPLTRH | Program Memory Table Pointer High Byte (TBLPTR<15:8>) |           |                       |   |       |        |        |        | 75                    |
| TBLPTRL | Program Memory Table Pointer Low Byte (TBLPTR<7:0>)   |           |                       |   |       |        |        |        | 75                    |
| TABLAT  | Program Memory Table Latch                            |           |                       |   |       |        |        |        | 75                    |
| INTCON  | GIE/GIEH  | PEIE/GIEL | TMR0IE                | INT0IE  | RBIE  | TMR0IF | INT0IF | RBIF   | 75                    |
| EECON2  | EEPROM Control Register 2 (not a physical register)   |           |                       |   |       |        |        |        | 79                    |
| EECON1  | EEPGD   | CFGFS     | —                     | FREE  | WRERR | WREN   | WR     | RD     | 79                    |
| IPR6    | —   | —         | —                     | EEIP  | —     | CMP3IP | CMP2IP | CMP1IP | 77                    |
| PIR6    | —   | —         | —                     | EEIF  | —     | CMP3IF | CMP2IF | CMP1IF | 77                    |
| PIE6    | —   | —         | —                     | EEIE  | —     | CMP3IE | CMP2IE | CMP1IE | 80                    |

**Legend:** — = unimplemented, read as '0'. Shaded cells are not used during Flash/EEPROM access.

**Note 1:** Bit 21 of TBLPTRU allows access to the device Configuration bits.

# PIC18F87K90 FAMILY

---

NOTES:



## 8.0 DATA EEPROM MEMORY

The data EEPROM is a nonvolatile memory array, separate from the data RAM and program memory, that is used for long-term storage of program data. The PIC18F87K90 family of devices has a 1024-byte data EEPROM. It is not directly mapped in either the register file or program memory space, but is indirectly addressed through the Special Function Registers (SFRs). The EEPROM is readable and writable during normal operation over the entire VDD range.

Five SFRs are used to read and write to the data EEPROM, as well as the program memory. They are:

- EECON1
- EECON2
- EEDATA
- EEADR
- EEADRH

The data EEPROM allows byte read and write. When interfacing to the data memory block, EEDATA holds the 8-bit data for read/write and the EEADRH:EEADR register pair holds the address of the EEPROM location being accessed.

The EEPROM data memory is rated for high erase/write cycle endurance. A byte write automatically erases the location and writes the new data (erase-before-write). The write time is controlled by an on-chip timer; it will vary with voltage and temperature, as well as from chip-to-chip. Please refer to Parameter D122 (Table 31-1 in Section 31.0 “Electrical Characteristics”) for exact limits.

### 8.1 EEADR and EEADRH Registers

The EEADRH:EEADR register pair is used to address the data EEPROM for read and write operations. EEADRH holds the two MSBs of the address; the upper 6 bits are ignored. The 10-bit range of the pair can address a memory range of 1024 bytes (00h to 3FFh).

### 8.2 EECON1 and EECON2 Registers

Access to the data EEPROM is controlled by two registers: EECON1 and EECON2. These are the same registers which control access to the program memory and are used in a similar manner for the data EEPROM.

The EECON1 register (Register 8-1) is the control register for data and program memory access. Control bit, EEPGD, determines if the access will be to program memory or data EEPROM memory. When clear, operations will access the data EEPROM memory. When set, program memory is accessed.

Control bit, CFGS, determines if the access will be to the Configuration registers or to program memory/data EEPROM memory. When set, subsequent operations access Configuration registers. When CFGS is clear, the EEPGD bit selects either program Flash or data EEPROM memory.

The WREN bit, when set, will allow a write operation. On power-up, the WREN bit is clear. The WRERR bit is set in hardware when the WREN bit is set, and cleared, when the internal programming timer expires and the write operation is complete.

**Note:** During normal operation, the WRERR is read as ‘1’. This can indicate that a write operation was prematurely terminated by a Reset, or a write operation was attempted improperly.

The WR control bit initiates write operations. The bit cannot be cleared, only set, in software; it is cleared in hardware at the completion of the write operation.

**Note:** The EEIF interrupt flag bit (PIR6<4>) is set when the write is complete. It must be cleared in software.

Control bits, RD and WR, start read and erase/write operations, respectively. These bits are set by firmware and cleared by hardware at the completion of the operation.

The RD bit cannot be set when accessing program memory (EEPGD = 1). Program memory is read using table read instructions. See Section 7.1 “Table Reads and Table Writes” regarding table reads.

The EECON2 register is not a physical register. It is used exclusively in the memory write and erase sequences. Reading EECON2 will read all ‘0’s.

# PIC18F87K90 FAMILY

## REGISTER 8-1: EECON1: DATA EEPROM CONTROL REGISTER 1

|       |       |     |       |                      |       |       |       |
|-------|-------|-----|-------|----------------------|-------|-------|-------|
| R/W-x | R/W-x | U-0 | R/W-0 | R/W-x                | R/W-0 | R/S-0 | R/S-0 |
| EEPGD | CFGFS | —   | FREE  | WRERR <sup>(1)</sup> | WREN  | WR    | RD    |
| bit 7 |       |     |       |                      |       |       | bit 0 |

|                   |                  |                                    |                    |
|-------------------|------------------|------------------------------------|--------------------|
| <b>Legend:</b>    | S = Settable bit |                                    |                    |
| R = Readable bit  | W = Writable bit | U = Unimplemented bit, read as '0' |                    |
| -n = Value at POR | '1' = Bit is set | '0' = Bit is cleared               | x = Bit is unknown |

- bit 7      **EEPGD:** Flash Program or Data EEPROM Memory Select bit  
 1 = Access Flash program memory  
 0 = Access data EEPROM memory
- bit 6      **CFGFS:** Flash Program/Data EEPROM or Configuration Select bit  
 1 = Access Configuration registers  
 0 = Access Flash program or data EEPROM memory
- bit 5      **Unimplemented:** Read as '0'
- bit 4      **FREE:** Flash Row Erase Enable bit  
 1 = Erase the program memory row addressed by the TBLPTR on the next WR command  
 (cleared by completion of an erase operation)  
 0 = Perform write-only
- bit 3      **WRERR:** Flash Program/Data EEPROM Error Flag bit<sup>(1)</sup>  
 1 = A write operation is prematurely terminated (any Reset during self-timed programming in normal operation or an improper write attempt)  
 0 = The write operation completed
- bit 2      **WREN:** Flash Program/Data EEPROM Write Enable bit  
 1 = Allows write cycles to Flash program/data EEPROM  
 0 = Inhibits write cycles to Flash program/data EEPROM
- bit 1      **WR:** Write-Control bit  
 1 = Initiates a data EEPROM erase/write cycle, or a program memory erase cycle or write cycle  
 (The operation is self-timed and the bit is cleared by hardware once the write is complete. The WR bit can only be set (not cleared) in software.)  
 0 = Write cycle to the EEPROM is complete
- bit 0      **RD:** Read Control bit  
 1 = Initiates an EEPROM read (Read takes one cycle. RD is cleared in hardware. The RD bit can only be set (not cleared) in software. The RD bit cannot be set when EEGD = 1 or CFGS = 1.)  
 0 = Does not initiate an EEPROM read

**Note 1:** When a WRERR occurs, the EEGD and CFGS bits are not cleared. This allows tracing of the error condition.

## 8.3 Reading the Data EEPROM Memory

To read a data memory location, the user must write the address to the EEADRH:EEADR register pair, clear the EEPGD control bit (EECON1<7>) and then set control bit, RD (EECON1<0>). After one cycle, the data is available in the EEDATA register; therefore, it can be read after one NOP instruction. EEDATA will hold this value until another read operation, or until it is written to by the user (during a write operation). The basic process is shown in [Example 8-1](#).

## 8.4 Writing to the Data EEPROM Memory

To write an EEPROM data location, the address must first be written to the EEADRH:EEADR register pair and the data written to the EEDATA register. The sequence in [Example 8-2](#) must be followed to initiate the write cycle.

The write will not begin if this sequence is not exactly followed (write 0x55 to EECON2, write 0xAA to EECON2, then set WR bit) for each byte. It is strongly recommended that interrupts be disabled during this code segment.

Additionally, the WREN bit in EECON1 must be set to enable writes. This mechanism prevents accidental writes to data EEPROM due to unexpected code

execution (i.e., runaway programs). The WREN bit should be kept clear at all times, except when updating the EEPROM. The WREN bit is not cleared by hardware.

After a write sequence has been initiated, EECON1, EEADRH:EEADR and EEDATA cannot be modified. The WR bit will be inhibited from being set unless the WREN bit is set. The WREN bit must be set on a previous instruction. Both WR and WREN cannot be set with the same instruction.

At the completion of the write cycle, the WR bit is cleared in hardware and the EEPROM Interrupt Flag bit (EEIF) is set. The user may either enable this interrupt, or poll this bit. EEIF must be cleared by software.

## 8.5 Write Verify

Depending on the application, good programming practice may dictate that the value written to the memory should be verified against the original value. This should be used in applications where excessive writes can stress bits near the specification limit.

**Note:** Self-write execution to Flash and EEPROM memory cannot be done while running in LP Oscillator mode (Low-Power mode). Therefore, executing a self-write will put the device into High-Power mode.

### EXAMPLE 8-1: DATA EEPROM READ

```

MOVLW DATA_EE_ADDRH ;
MOVWF EEADRH ; Upper bits of Data Memory Address to read
MOVLW DATA_EE_ADDR ;
MOVWF EEADR ; Lower bits of Data Memory Address to read
BCF EECON1, EEPGD ; Point to DATA memory
BCF EECON1, CFGS ; Access EEPROM
BSF EECON1, RD ; EEPROM Read
NOP
MOVF EEDATA, W ; W = EEDATA
    
```

### EXAMPLE 8-2: DATA EEPROM WRITE

```

MOVLW DATA_EE_ADDRH ;
MOVWF EEADRH ; Upper bits of Data Memory Address to write
MOVLW DATA_EE_ADDR ;
MOVWF EEADR ; Lower bits of Data Memory Address to write
MOVLW DATA_EE_DATA ;
MOVWF EEDATA ; Data Memory Value to write
BCF EECON1, EEPGD ; Point to DATA memory
BCF EECON1, CFGS ; Access EEPROM
BSF EECON1, WREN ; Enable writes

BCF INTCON, GIE ; Disable Interrupts
MOVLW 0x55 ;
Required MOVWF EECON2 ; Write 55h
Sequence MOVLW 0xAA ;
MOVWF EECON2 ; Write 0AAh
BTFSC EECON1, WR ; Wait for write to complete
GOTO $-2
BSF INTCON, GIE ; Enable Interrupts

; User code execution
BCF EECON1, WREN ; Disable writes on write complete (EEIF set)
    
```

# PIC18F87K90 FAMILY

## 8.6 Operation During Code-Protect

Data EEPROM memory has its own code-protect bits in the Configuration Words. External read and write operations are disabled if code protection is enabled.

The microcontroller itself can both read and write to the internal data EEPROM, regardless of the state of the code-protect Configuration bit. Refer to [Section 28.0 “Special Features of the CPU”](#) for additional information.

## 8.7 Protection Against Spurious Write

There are conditions when the device may not want to write to the data EEPROM memory. To protect against spurious EEPROM writes, various mechanisms have been implemented. On power-up, the WREN bit is cleared. In addition, writes to the EEPROM are blocked during the Power-up Timer period (TPWRT, Parameter 33 in [Section 31.3 “DC Characteristics: PIC18F87K90 Family \(Industrial/Extended\)”](#)).

The write initiate sequence, and the WREN bit together, help prevent an accidental write during brown-out, power glitch or software malfunction. The WREN bit is not cleared by hardware.

## 8.8 Using the Data EEPROM

The data EEPROM is a high-endurance, byte addressable array that has been optimized for the storage of frequently changing information (e.g., program variables or other data that are updated often). Frequently changing values will typically be updated more often than Specification [D124](#). If this is the case, an array refresh must be performed. For this reason, variables that change infrequently (such as constants, IDs, calibration, etc.) should be stored in Flash program memory.

A simple data EEPROM refresh routine is shown in [Example 8-3](#).

**Note:** If data EEPROM is only used to store constants and/or data that changes often, an array refresh is likely not required. See Specification [D124](#) in [Table 31-1](#).

### EXAMPLE 8-3: DATA EEPROM REFRESH ROUTINE

```
CLRFB    EEADR           ; Start at address 0
CLRFB    EEADRH          ;
BCFB     EECON1, CFGS     ; Set for memory
BCFB     EECON1, EEPGD    ; Set for Data EEPROM
BCFB     INTCON, GIE      ; Disable interrupts
BSFB     EECON1, WREN     ; Enable writes
LOOP
BSFB     EECON1, RD       ; Read current address
MOVLW    0x55             ;
MOVWF    EECON2           ; Write 55h
MOVLW    0xAA             ;
MOVWF    EECON2           ; Write 0AAh
BSFB     EECON1, WR       ; Set WR bit to begin write
BTFSC    EECON1, WR      ; Wait for write to complete
BRA      $-2
INCFSZ   EEADR, F        ; Increment address
BRA      LOOP             ; Not zero, do it again
INCFSZ   EEADRH, F       ; Increment the high address
BRA      LOOP             ; Not zero, do it again

BCFB     EECON1, WREN     ; Disable writes
BSFB     INTCON, GIE      ; Enable interrupts
```

# PIC18F87K90 FAMILY

**TABLE 8-1: REGISTERS ASSOCIATED WITH DATA EEPROM MEMORY**

| Name   | Bit 7   | Bit 6     | Bit 5  | Bit 4  | Bit 3 | Bit 2  | Bit 1                             | Bit 0 | Reset Values on Page: |
|--------|---|-----------|--------|--------|-------|--------|-----------------------------------|-------|-----------------------|
| INTCON | GIE/GIEH  | PEIE/GIEL | TMR0IE | INT0IE | RBIE  | TMR0IF | INT0IF                            | RBIF  | 75                    |
| EEADRH | —   | —         | —      | —      | —     | —      | EEPROM Address Register High Byte |       | 79                    |
| EEADR  | EEPROM Address Register Low Byte                    |           |        |        |       |        |                                   |       | 80                    |
| EEDATA | EEPROM Data Register                                |           |        |        |       |        |                                   |       | 80                    |
| EECON2 | EEPROM Control Register 2 (not a physical register) |           |        |        |       |        |                                   |       | 79                    |
| EECON1 | EEPGD   | CFGS      | —      | FREE   | WRERR | WREN   | WR                                | RD    | 79                    |

**Legend:** — = unimplemented, read as '0'. Shaded cells are not used during Flash/EEPROM access.

# PIC18F87K90 FAMILY

---

NOTES:

# PIC18F87K90 FAMILY

## 9.0 8 x 8 HARDWARE MULTIPLIER

### 9.1 Introduction

All PIC18 devices include an 8 x 8 hardware multiplier as part of the ALU. The multiplier performs an unsigned operation and yields a 16-bit result that is stored in the product register pair, PRODH:PRODL. The multiplier's operation does not affect any flags in the STATUS register.

Making multiplication a hardware operation allows it to be completed in a single instruction cycle. This has the advantages of higher computational throughput and reduced code size for multiplication algorithms and allows PIC18 devices to be used in many applications previously reserved for digital-signal processors. A comparison of various hardware and software multiply operations, along with the savings in memory and execution time, is shown in [Table 9-1](#).

### 9.2 Operation

[Example 9-1](#) shows the instruction sequence for an 8 x 8 unsigned multiplication. Only one instruction is required when one of the arguments is already loaded in the WREG register.

[Example 9-2](#) shows the sequence to do an 8 x 8 signed multiplication. To account for the sign bits of the arguments, each argument's Most Significant bit (MSb) is tested and the appropriate subtractions are done.

#### EXAMPLE 9-1: 8 x 8 UNSIGNED MULTIPLY ROUTINE

```
MOVWF ARG1, W ;
MULWF ARG2 ; ARG1 * ARG2 ->
; PRODH:PRODL
```

#### EXAMPLE 9-2: 8 x 8 SIGNED MULTIPLY ROUTINE

```
MOVWF ARG1, W
MULWF ARG2 ; ARG1 * ARG2 ->
; PRODH:PRODL

BTFSC ARG2, SB ; Test Sign Bit
SUBWF PRODH, F ; PRODH = PRODH
; - ARG1

MOVWF ARG2, W
BTFSC ARG1, SB ; Test Sign Bit
SUBWF PRODH, F ; PRODH = PRODH
; - ARG2
```

**TABLE 9-1: PERFORMANCE COMPARISON FOR VARIOUS MULTIPLY OPERATIONS**

| Routine          | Multiply Method           | Program Memory (Words) | Cycles (Max) | Time     |          |          |         |
|------------------|---------------------------|------------------------|--------------|----------|----------|----------|---------|
|                  |                           |                        |              | @ 64 MHz | @ 48 MHz | @ 10 MHz | @ 4 MHz |
| 8 x 8 Unsigned   | Without Hardware Multiply | 13                     | 69           | 4.3 μs   | 5.7 μs   | 27.6 μs  | 69 μs   |
|                  | Hardware Multiply         | 1                      | 1            | 62.5 ns  | 83.3 ns  | 400 ns   | 1 μs    |
| 8 x 8 Signed     | Without Hardware Multiply | 33                     | 91           | 5.6 μs   | 7.5 μs   | 36.4 μs  | 91 μs   |
|                  | Hardware Multiply         | 6                      | 6            | 375 ns   | 500 ns   | 2.4 μs   | 6 μs    |
| 16 x 16 Unsigned | Without Hardware Multiply | 21                     | 242          | 15.1 μs  | 20.1 μs  | 96.8 μs  | 242 μs  |
|                  | Hardware Multiply         | 28                     | 28           | 1.7 μs   | 2.3 μs   | 11.2 μs  | 28 μs   |
| 16 x 16 Signed   | Without Hardware Multiply | 52                     | 254          | 15.8 μs  | 21.2 μs  | 101.6 μs | 254 μs  |
|                  | Hardware Multiply         | 35                     | 40           | 2.5 μs   | 3.3 μs   | 16.0 μs  | 40 μs   |

# PIC18F87K90 FAMILY

Example 9-3 shows the sequence to do a 16 x 16 unsigned multiplication. Equation 9-1 shows the algorithm that is used. The 32-bit result is stored in four registers (RES3:RES0).

## EQUATION 9-1: 16 x 16 UNSIGNED MULTIPLICATION ALGORITHM

$$\begin{aligned} \text{RES3:RES0} &= \text{ARG1H:ARG1L} \cdot \text{ARG2H:ARG2L} \\ &= (\text{ARG1H} \cdot \text{ARG2H} \cdot 2^{16}) + \\ &\quad (\text{ARG1H} \cdot \text{ARG2L} \cdot 2^8) + \\ &\quad (\text{ARG1L} \cdot \text{ARG2H} \cdot 2^8) + \\ &\quad (\text{ARG1L} \cdot \text{ARG2L}) \end{aligned}$$

## EXAMPLE 9-3: 16 x 16 UNSIGNED MULTIPLY ROUTINE

```

MOVF ARG1L, W
MULWF ARG2L          ; ARG1L * ARG2L->
                     ; PRODH:PRODL
MOVFF PRODH, RES1   ;
MOVFF PRODL, RES0   ;
;
MOVF ARG1H, W
MULWF ARG2H          ; ARG1H * ARG2H->
                     ; PRODH:PRODL
MOVFF PRODH, RES3   ;
MOVFF PRODL, RES2   ;
;
MOVF ARG1L, W
MULWF ARG2H          ; ARG1L * ARG2H->
                     ; PRODH:PRODL
MOVF PRODL, W       ;
ADDWF RES1, F       ; Add cross
MOVF PRODH, W       ; products
ADDWFC RES2, F      ;
CLRF WREG           ;
ADDWFC RES3, F      ;
;
MOVF ARG1H, W
MULWF ARG2L          ; ARG1H * ARG2L->
                     ; PRODH:PRODL
MOVF PRODL, W       ;
ADDWF RES1, F       ; Add cross
MOVF PRODH, W       ; products
ADDWFC RES2, F      ;
CLRF WREG           ;
ADDWFC RES3, F      ;

```

Example 9-4 shows the sequence to do a 16 x 16 signed multiply. Equation 9-2 shows the algorithm used. The 32-bit result is stored in four registers (RES3:RES0). To account for the sign bits of the arguments, the MSb for each argument pair is tested and the appropriate subtractions are done.

## EQUATION 9-2: 16 x 16 SIGNED MULTIPLICATION ALGORITHM

$$\begin{aligned} \text{RES3:RES0} &= \text{ARG1H:ARG1L} \cdot \text{ARG2H:ARG2L} \\ &= (\text{ARG1H} \cdot \text{ARG2H} \cdot 2^{16}) + \\ &\quad (\text{ARG1H} \cdot \text{ARG2L} \cdot 2^8) + \\ &\quad (\text{ARG1L} \cdot \text{ARG2H} \cdot 2^8) + \\ &\quad (\text{ARG1L} \cdot \text{ARG2L}) + \\ &\quad (-1 \cdot \text{ARG2H} < 7 > \cdot \text{ARG1H:ARG1L} \cdot 2^{16}) + \\ &\quad (-1 \cdot \text{ARG1H} < 7 > \cdot \text{ARG2H:ARG2L} \cdot 2^{16}) \end{aligned}$$

## EXAMPLE 9-4: 16 x 16 SIGNED MULTIPLY ROUTINE

```

MOVF ARG1L, W
MULWF ARG2L          ; ARG1L * ARG2L ->
                     ; PRODH:PRODL
MOVFF PRODH, RES1   ;
MOVFF PRODL, RES0   ;
;
MOVF ARG1H, W
MULWF ARG2H          ; ARG1H * ARG2H ->
                     ; PRODH:PRODL
MOVFF PRODH, RES3   ;
MOVFF PRODL, RES2   ;
;
MOVF ARG1L, W
MULWF ARG2H          ; ARG1L * ARG2H ->
                     ; PRODH:PRODL
MOVF PRODL, W       ;
ADDWF RES1, F       ; Add cross
MOVF PRODH, W       ; products
ADDWFC RES2, F      ;
CLRF WREG           ;
ADDWFC RES3, F      ;
;
MOVF ARG1H, W
MULWF ARG2L          ; ARG1H * ARG2L ->
                     ; PRODH:PRODL
MOVF PRODL, W       ;
ADDWF RES1, F       ; Add cross
MOVF PRODH, W       ; products
ADDWFC RES2, F      ;
CLRF WREG           ;
ADDWFC RES3, F      ;
;
BTFS ARG2H, 7       ; ARG2H:ARG2L neg?
BRA SIGN_ARG1      ; no, check ARG1
MOVF ARG1L, W
SUBWF RES2
MOVF ARG1H, W
SUBWFB RES3
SIGN_ARG1
BTFS ARG1H, 7       ; ARG1H:ARG1L neg?
BRA CONT_CODE      ; no, done
MOVF ARG2L, W
SUBWF RES2
MOVF ARG2H, W
SUBWFB RES3
;
CONT_CODE
:
```



## 10.0 INTERRUPTS

Members of the PIC18F87K90 family of devices have multiple interrupt sources and an interrupt priority feature that allows most interrupt sources to be assigned a high-priority level or a low-priority level. The high-priority interrupt vector is at 0008h and the low-priority interrupt vector is at 0018h. High-priority interrupt events will interrupt any low-priority interrupts that may be in progress.

The registers for controlling interrupt operation are:

- RCON
- INTCON
- INTCON2
- INTCON3
- PIR1, PIR2, PIR3
- PIE1, PIE2, PIE3
- IPR1, IPR2, IPR3

It is recommended that the Microchip header files supplied with MPLAB® IDE be used for the symbolic bit names in these registers. This allows the assembler/compiler to automatically take care of the placement of these bits within the specified register.

In general, interrupt sources have three bits to control their operation. They are:

- **Flag bit** – Indicating that an interrupt event occurred
- **Enable bit** – Enabling program execution to branch to the interrupt vector address when the flag bit is set
- **Priority bit** – Specifying high priority or low priority

The interrupt priority feature is enabled by setting the IPEN bit (RCON<7>). When interrupt priority is enabled, there are two bits that enable interrupts globally. Setting the GIEH bit (INTCON<7>) enables all interrupts that have the priority bit set (high priority). Setting the GIEL bit (INTCON<6>) and GIEH bit (INTCON<7>) enables all interrupts that have the priority bit cleared (low priority). When the interrupt flag, enable bit and appropriate Global Interrupt Enable bit are set, the interrupt will vector immediately to address 0008h or 0018h, depending on the priority bit setting. Individual interrupts can be disabled through their corresponding enable bits.

When the IPEN bit is cleared (default state), the interrupt priority feature is disabled and interrupts are compatible with PIC® mid-range devices. In Compatibility mode, the interrupt priority bits for each source have no effect. INTCON<6> is the PEIE bit that enables/disables all peripheral interrupt sources. INTCON<7> is the GIE bit that enables/disables all interrupt sources. All interrupts branch to address, 0008h, in Compatibility mode.

When an interrupt is responded to, the Global Interrupt Enable bit is cleared to disable further interrupts. If the IPEN bit is cleared, this is the GIE bit. If interrupt priority levels are used, this will be either the GIEH or GIEL bit. High-priority interrupt sources can interrupt a low-priority interrupt. Low-priority interrupts are not processed while high-priority interrupts are in progress.

The return address is pushed onto the stack and the PC is loaded with the interrupt vector address (0008h or 0018h). Once in the Interrupt Service Routine (ISR), the source(s) of the interrupt can be determined by polling the interrupt flag bits. The interrupt flag bits must be cleared in software, before re-enabling interrupts, to avoid recursive interrupts.

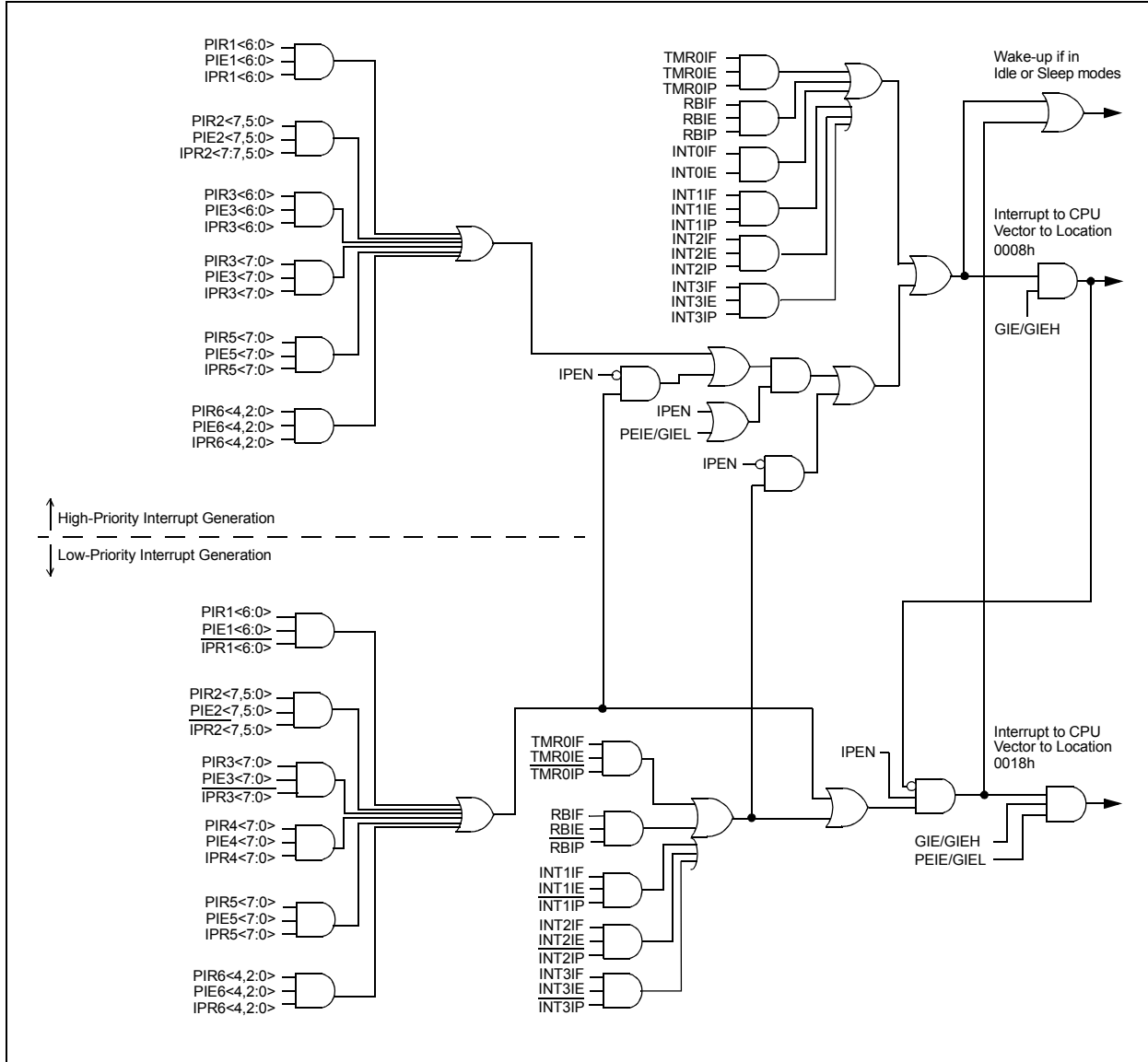
The “return from interrupt” instruction, `RETFIE`, exits the interrupt routine and sets the GIE bit (GIEH or GIEL if priority levels are used) that re-enables interrupts.

For external interrupt events, such as the INTx pins or the PORTB input change interrupt, the interrupt latency will be three to four instruction cycles. The exact latency is the same for one or two-cycle instructions. Individual interrupt flag bits are set regardless of the status of their corresponding enable bit or the GIE bit.

**Note:** Do not use the `MOVFF` instruction to modify any of the Interrupt Control registers while **any** interrupt is enabled. Doing so may cause erratic microcontroller behavior.

# PIC18F87K90 FAMILY

FIGURE 10-1: PIC18F87K90 FAMILY INTERRUPT LOGIC



# PIC18F87K90 FAMILY

## 10.1 INTCON Registers

The INTCON registers are readable and writable registers that contain various enable, priority and flag bits.

**Note:** Interrupt flag bits are set when an interrupt condition occurs, regardless of the state of its corresponding enable bit or the Global Interrupt Enable bit. User software should ensure the appropriate interrupt flag bits are clear prior to enabling an interrupt. This feature allows for software polling.

**REGISTER 10-1: INTCON: INTERRUPT CONTROL REGISTER**

|          |           |        |        |       |        |        |                     |
|----------|-----------|--------|--------|-------|--------|--------|---------------------|
| R/W-0    | R/W-0     | R/W-0  | R/W-0  | R/W-0 | R/W-0  | R/W-0  | R/W-x               |
| GIE/GIEH | PEIE/GIEL | TMR0IE | INT0IE | RBIE  | TMR0IF | INT0IF | RBIF <sup>(1)</sup> |
| bit 7    |           |        |        |       |        |        | bit 0               |

**Legend:**

|                   |                  |                                    |
|-------------------|------------------|------------------------------------|
| R = Readable bit  | W = Writable bit | U = Unimplemented bit, read as '0' |
| -n = Value at POR | '1' = Bit is set | '0' = Bit is cleared               |
|                   |                  | x = Bit is unknown                 |

- bit 7      **GIE/GIEH:** Global Interrupt Enable bit  
When IPEN = 0:  
 1 = Enables all unmasked interrupts  
 0 = Disables all interrupts  
When IPEN = 1:  
 1 = Enables all high-priority interrupts  
 0 = Disables all interrupts
- bit 6      **PEIE/GIEL:** Peripheral Interrupt Enable bit  
When IPEN = 0:  
 1 = Enables all unmasked peripheral interrupts  
 0 = Disables all peripheral interrupts  
When IPEN = 1:  
 1 = Enables all low-priority peripheral interrupts  
 0 = Disables all low-priority peripheral interrupts
- bit 5      **TMR0IE:** TMR0 Overflow Interrupt Enable bit  
 1 = Enables the TMR0 overflow interrupt  
 0 = Disables the TMR0 overflow interrupt
- bit 4      **INT0IE:** INT0 External Interrupt Enable bit  
 1 = Enables the INT0 external interrupt  
 0 = Disables the INT0 external interrupt
- bit 3      **RBIE:** RB Port Change Interrupt Enable bit  
 1 = Enables the RB port change interrupt  
 0 = Disables the RB port change interrupt
- bit 2      **TMR0IF:** TMR0 Overflow Interrupt Flag bit  
 1 = TMR0 register has overflowed (must be cleared in software)  
 0 = TMR0 register did not overflow
- bit 1      **INT0IF:** INT0 External Interrupt Flag bit  
 1 = The INT0 external interrupt occurred (must be cleared in software)  
 0 = The INT0 external interrupt did not occur
- bit 0      **RBIF:** RB Port Change Interrupt Flag bit<sup>(1)</sup>  
 1 = At least one of the RB<7:4> pins changed state (must be cleared in software)  
 0 = None of the RB<7:4> pins have changed state

**Note 1:** A mismatch condition will continue to set this bit. Reading PORTB, and then waiting one additional instruction cycle, will end the mismatch condition and allow the bit to be cleared.

# PIC18F87K90 FAMILY

## REGISTER 10-2: INTCON2: INTERRUPT CONTROL REGISTER 2

| R/W-1                    | R/W-1   | R/W-1   | R/W-1   | R/W-1   | R/W-1  | R/W-1  | R/W-1 |
|--------------------------|---------|---------|---------|---------|--------|--------|-------|
| $\overline{\text{RBPU}}$ | INTEDG0 | INTEDG1 | INTEDG2 | INTEDG3 | TMR0IP | INT3IP | RBIP  |
| bit 7                    |         |         |         |         |        |        | bit 0 |

### Legend:

R = Readable bit

W = Writable bit

U = Unimplemented bit, read as '0'

-n = Value at POR

'1' = Bit is set

'0' = Bit is cleared

x = Bit is unknown

- bit 7  **$\overline{\text{RBPU}}$** : PORTB Pull-up Enable bit  
 1 = All PORTB pull-ups are disabled  
 0 = PORTB pull-ups are enabled by individual TRIS register values
- bit 6 **INTEDG0**: External Interrupt 0 Edge Select bit  
 1 = Interrupt on rising edge  
 0 = Interrupt on falling edge
- bit 5 **INTEDG1**: External Interrupt 1 Edge Select bit  
 1 = Interrupt on rising edge  
 0 = Interrupt on falling edge
- bit 4 **INTEDG2**: External Interrupt 2 Edge Select bit  
 1 = Interrupt on rising edge  
 0 = Interrupt on falling edge
- bit 3 **INTEDG3**: External Interrupt 3 Edge Select bit  
 1 = Interrupt on rising edge  
 0 = Interrupt on falling edge
- bit 2 **TMR0IP**: TMR0 Overflow Interrupt Priority bit  
 1 = High priority  
 0 = Low priority
- bit 1 **INT3IP**: INT3 External Interrupt Priority bit  
 1 = High priority  
 0 = Low priority
- bit 0 **RBIP**: RB Port Change Interrupt Priority bit  
 1 = High priority  
 0 = Low priority

**Note:** Interrupt flag bits are set when an interrupt condition occurs, regardless of the state of its corresponding enable bit or the Global Interrupt Enable bit. User software should ensure the appropriate interrupt flag bits are clear prior to enabling an interrupt. This feature allows for software polling.

# PIC18F87K90 FAMILY

## REGISTER 10-3: INTCON3: INTERRUPT CONTROL REGISTER 3

|        |        |        |        |        |        |        |        |
|--------|--------|--------|--------|--------|--------|--------|--------|
| R/W-1  | R/W-1  | R/W-0  | R/W-0  | R/W-0  | R/W-0  | R/W-0  | R/W-0  |
| INT2IP | INT1IP | INT3IE | INT2IE | INT1IE | INT3IF | INT2IF | INT1IF |
| bit 7  |        |        |        |        |        |        | bit 0  |

### Legend:

R = Readable bit

W = Writable bit

U = Unimplemented bit, read as '0'

-n = Value at POR

'1' = Bit is set

'0' = Bit is cleared

x = Bit is unknown

|       |  |
|-------|--|
| bit 7 | <b>INT2IP:</b> INT2 External Interrupt Priority bit<br>1 = High priority<br>0 = Low priority   |
| bit 6 | <b>INT1IP:</b> INT1 External Interrupt Priority bit<br>1 = High priority<br>0 = Low priority   |
| bit 5 | <b>INT3IE:</b> INT3 External Interrupt Enable bit<br>1 = Enables the INT3 external interrupt<br>0 = Disables the INT3 external interrupt                                   |
| bit 4 | <b>INT2IE:</b> INT2 External Interrupt Enable bit<br>1 = Enables the INT2 external interrupt<br>0 = Disables the INT2 external interrupt                                   |
| bit 3 | <b>INT1IE:</b> INT1 External Interrupt Enable bit<br>1 = Enables the INT1 external interrupt<br>0 = Disables the INT1 external interrupt                                   |
| bit 2 | <b>INT3IF:</b> INT3 External Interrupt Flag bit<br>1 = The INT3 external interrupt occurred (must be cleared in software)<br>0 = The INT3 external interrupt did not occur |
| bit 1 | <b>INT2IF:</b> INT2 External Interrupt Flag bit<br>1 = The INT2 external interrupt occurred (must be cleared in software)<br>0 = The INT2 external interrupt did not occur |
| bit 0 | <b>INT1IF:</b> INT1 External Interrupt Flag bit<br>1 = The INT1 external interrupt occurred (must be cleared in software)<br>0 = The INT1 external interrupt did not occur |

**Note:** Interrupt flag bits are set when an interrupt condition occurs, regardless of the state of its corresponding enable bit or the Global Interrupt Enable bit. User software should ensure the appropriate interrupt flag bits are clear prior to enabling an interrupt. This feature allows for software polling.

# PIC18F87K90 FAMILY

## 10.2 PIR Registers

The PIR registers contain the individual flag bits for the peripheral interrupts. Due to the number of peripheral interrupt sources, there are six Peripheral Interrupt Request (Flag) registers (PIR1 through PIR6).

**Note 1:** Interrupt flag bits are set when an interrupt condition occurs, regardless of the state of its corresponding enable bit or the Global Interrupt Enable bit, GIE (INTCON<7>).

**2:** User software should ensure the appropriate interrupt flag bits are cleared prior to enabling an interrupt and after servicing that interrupt.

**REGISTER 10-4: PIR1: PERIPHERAL INTERRUPT REQUEST (FLAG) REGISTER 1**

|       |       |       |       |        |         |        |        |
|-------|-------|-------|-------|--------|---------|--------|--------|
| U-0   | R/W-0 | R-0   | R-0   | R/W-0  | R/W-0   | R/W-0  | R/W-0  |
| —     | ADIF  | RC1IF | TX1IF | SSP1IF | TMR1GIF | TMR2IF | TMR1IF |
| bit 7 |       |       |       |        |         |        | bit 0  |

**Legend:**

R = Readable bit

W = Writable bit

U = Unimplemented bit, read as '0'

-n = Value at POR

'1' = Bit is set

'0' = Bit is cleared

x = Bit is unknown

bit 7 **Unimplemented:** Read as '0'

bit 6 **ADIF:** A/D Converter Interrupt Flag bit

1 = An A/D conversion completed (must be cleared in software)

0 = The A/D conversion is not complete

bit 5 **RC1IF:** EUSART Receive Interrupt Flag bit

1 = The EUSART receive buffer, RCREG1, is full (cleared when RCREG1 is read)

0 = The EUSART receive buffer is empty

bit 4 **TX1IF:** EUSART Transmit Interrupt Flag bit

1 = The EUSART transmit buffer, TXREG1, is empty (cleared when TXREG1 is written)

0 = The EUSART transmit buffer is full

bit 3 **SSP1IF:** Master Synchronous Serial Port Interrupt Flag bit

1 = The transmission/reception is complete (must be cleared in software)

0 = Waiting to transmit/receive

bit 2 **TMR1GIF:** Timer1 Gate Interrupt Flag bit

1 = Timer gate interrupt has occurred (must be cleared in software)

0 = No timer gate interrupt has occurred

bit 1 **TMR2IF:** TMR2 to PR2 Match Interrupt Flag bit

1 = TMR2 to PR2 match has occurred (must be cleared in software)

0 = No TMR2 to PR2 match has occurred

bit 0 **TMR1IF:** TMR1 Overflow Interrupt Flag bit

1 = TMR1 register overflowed (must be cleared in software)

0 = TMR1 register did not overflow

# PIC18F87K90 FAMILY

## REGISTER 10-5: PIR2: PERIPHERAL INTERRUPT REQUEST (FLAG) REGISTER 2

|        |     |        |        |        |        |        |         |
|--------|-----|--------|--------|--------|--------|--------|---------|
| R/W-0  | U-0 | R/W-0  | R/W-0  | R/W-0  | R/W-0  | R/W-0  | R/W-0   |
| OSCFIF | —   | SSP2IF | BCL2IF | BCL1IF | HLVDIF | TMR3IF | TMR3GIF |
| bit 7  |     |        |        |        |        |        | bit 0   |

### Legend:

|                   |                  |  |
|-------------------|------------------|--|
| R = Readable bit  | W = Writable bit | U = Unimplemented bit, read as '0'           |
| -n = Value at POR | '1' = Bit is set | '0' = Bit is cleared      x = Bit is unknown |

- bit 7      **OSCFIF:** Oscillator Fail Interrupt Flag bit  
1 = Device oscillator failed, clock input has changed to INTOSC (must be cleared in software)  
0 = Device clock operating
- bit 6      **Unimplemented:** Read as '0'
- bit 5      **SSP2IF:** Master Synchronous Serial Port Interrupt Flag bit  
1 = The transmission/reception has been completed (must be cleared in software)  
0 = Waiting to transmit/receive
- bit 4      **BCL2IF:** Bus Collision Interrupt Flag bit  
1 = A bus collision occurred (must be cleared in software)  
0 = No bus collision occurred
- bit 3      **BCL1IF:** Bus Collision Interrupt Flag bit  
1 = A bus collision occurred (must be cleared in software)  
0 = No bus collision occurred
- bit 2      **HLVDIF:** High/Low-Voltage Detect Interrupt Flag bit  
1 = A high/low-voltage condition occurred (must be cleared in software)  
0 = The device voltage is above the regulator's low-voltage trip point
- bit 1      **TMR3IF:** TMR3 Overflow Interrupt Flag bit  
1 = TMR3 register overflowed (must be cleared in software)  
0 = TMR3 register did not overflow
- bit 0      **TMR3GIF:** TMR3 Gate Interrupt Flag bit  
1 = Timer gate interrupt occurred (must be cleared in software)  
0 = No timer gate interrupt occurred

# PIC18F87K90 FAMILY

## REGISTER 10-6: PIR3: PERIPHERAL INTERRUPT REQUEST (FLAG) REGISTER 3

|         |       |       |       |        |        |        |        |
|---------|-------|-------|-------|--------|--------|--------|--------|
| R/W-0   | R/W-0 | R-0   | R-0   | R/W-0  | R/W-0  | R/W-0  | R/W-0  |
| TMR5GIF | LCDIF | RC2IF | TX2IF | CTMUIF | CCP2IF | CCP1IF | RTCCIF |
| bit 7   |       |       |       |        |        |        | bit 0  |

### Legend:

|                   |                  |                                    |
|-------------------|------------------|------------------------------------|
| R = Readable bit  | W = Writable bit | U = Unimplemented bit, read as '0' |
| -n = Value at POR | '1' = Bit is set | '0' = Bit is cleared               |
|                   |                  | x = Bit is unknown                 |

- bit 7      **TMR5GIF:** Timer5 Gate Interrupt Flag bit  
 1 = Timer gate interrupt occurred (must be cleared in software)  
 0 = No timer gate interrupt occurred
- bit 6      **LCDIF:** LCD Interrupt Flag bit (valid when Type-B waveform with Non-Static mode is selected)  
 1 = LCD data of all COMs is output (must be cleared in software)  
 0 = LCD data of all COMs is not yet output
- bit 5      **RC2IF:** EUSART Receive Interrupt Flag bit  
 1 = The EUSART receive buffer, RCREG2, is full (cleared when RCREG2 is read)  
 0 = The EUSART receive buffer is empty
- bit 4      **TX2IF:** EUSART Transmit Interrupt Flag bit  
 1 = The EUSART transmit buffer, TXREG2, is empty (cleared when TXREG2 is written)  
 0 = The EUSART transmit buffer is full
- bit 3      **CTMUIF:** CTMU Interrupt Flag bit  
 1 = CTMU interrupt occurred (must be cleared in software)  
 0 = No CTMU interrupt occurred
- bit 2      **CCP2IF:** ECCP2 Interrupt Flag bit  
Capture mode:  
 1 = A TMR register capture occurred (must be cleared in software)  
 0 = No TMR register capture occurred  
Compare mode:  
 1 = A TMR register compare match occurred (must be cleared in software)  
 0 = No TMR register compare match occurred  
PWM mode:  
 Unused in this mode.
- bit 1      **CCP1IF:** ECCP1 Interrupt Flag bit  
Capture mode:  
 1 = A TMR register capture occurred (must be cleared in software)  
 0 = No TMR register capture occurred  
Compare mode:  
 1 = A TMR register compare match occurred (must be cleared in software)  
 0 = No TMR register compare match occurred  
PWM mode:  
 Unused in this mode.
- bit 0      **RTCCIF:** RTCC Interrupt Flag bit  
 1 = RTCC interrupt occurred (must be cleared in software)  
 0 = No RTCC interrupt occurred



# PIC18F87K90 FAMILY

## REGISTER 10-7: PIR4: PERIPHERAL INTERRUPT FLAG REGISTER 4

| R/W-0                  | R/W-0                 | R/W-0  | R/W-0  | R/W-0  | R/W-0  | R/W-0  | R/W-0  |
|------------------------|-----------------------|--------|--------|--------|--------|--------|--------|
| CCP10IF <sup>(1)</sup> | CCP9IF <sup>(1)</sup> | CCP8IF | CCP7IF | CCP6IF | CCP5IF | CCP4IF | CCP3IF |
| bit 7                  |                       |        |        |        |        |        | bit 0  |

### Legend:

R = Readable bit

W = Writable bit

U = Unimplemented bit, read as '0'

-n = Value at POR

'1' = Bit is set

'0' = Bit is cleared

x = Bit is unknown

bit 7-1 **CCP10IF:CCP4IF:** CCP<10:4> Interrupt Flag bits<sup>(1)</sup>

#### Capture Mode

1 = A TMR register capture occurred (must be cleared in software)

0 = No TMR register capture occurred

#### Compare Mode

1 = A TMR register compare match occurred (must be cleared in software)

0 = No TMR register compare match occurred

#### PWM Mode

Not used in PWM mode.

bit 0 **CCP3IF:** ECCP3 Interrupt Flag bits

#### Capture Mode

1 = A TMR register capture occurred (must be cleared in software)

0 = No TMR register capture occurred

#### Compare Mode

1 = A TMR register compare match occurred (must be cleared in software)

0 = No TMR register compare match occurred

#### PWM Mode

Not used in PWM mode.

**Note 1:** Unimplemented in devices with a program memory of 32 Kbytes (PIC18FX5K90).

# PIC18F87K90 FAMILY

## REGISTER 10-8: PIR5: PERIPHERAL INTERRUPT FLAG REGISTER 5

| R/W-0                  | R/W-0                  | R/W-0                  | R/W-0  | R/W-0                 | R/W-0  | R/W-0  | R/W-0  |
|------------------------|------------------------|------------------------|--------|-----------------------|--------|--------|--------|
| TMR7GIF <sup>(1)</sup> | TMR12IF <sup>(1)</sup> | TMR10IF <sup>(1)</sup> | TMR8IF | TMR7IF <sup>(1)</sup> | TMR6IF | TMR5IF | TMR4IF |
| bit 7                  |                        |                        |        |                       |        |        | bit 0  |

### Legend:

R = Readable bit

W = Writable bit

U = Unimplemented bit, read as '0'

-n = Value at POR

'1' = Bit is set

'0' = Bit is cleared

x = Bit is unknown

- bit 7      **TMR7GIF:** TMR7 Gate Interrupt Flag bits<sup>(1)</sup>  
1 = TMR gate interrupt occurred (must be cleared in software)  
0 = No TMR gate interrupt occurred
- bit 6      **TMR12IF:** TMR12 to PR12 Match Interrupt Flag bit<sup>(1)</sup>  
1 = TMR12 to PR12 match occurred (must be cleared in software)  
0 = No TMR12 to PR12 match occurred
- bit 5      **TMR10IF:** TMR10 to PR10 Match Interrupt Flag bit<sup>(1)</sup>  
1 = TMR10 to PR10 match occurred (must be cleared in software)  
0 = No TMR10 to PR10 match occurred
- bit 4      **TMR8IF:** TMR8 to PR8 Match Interrupt Flag bit  
1 = TMR8 to PR8 match occurred (must be cleared in software)  
0 = No TMR8 to PR8 match occurred
- bit 3      **TMR7IF:** TMR7 Overflow Interrupt Flag bit<sup>(1)</sup>  
1 = TMR7 register overflowed (must be cleared in software)  
0 = TMR7 register did not overflow
- bit 2      **TMR6IF:** TMR6 to PR6 Match Interrupt Flag bit  
1 = TMR6 to PR6 match occurred (must be cleared in software)  
0 = No TMR6 to PR6 match occurred
- bit 1      **TMR5IF:** TMR5 Overflow Interrupt Flag bit  
1 = TMR5 register overflowed (must be cleared in software)  
0 = TMR5 register did not overflow
- bit 0      **TMR4IF:** TMR4 to PR4 Match Interrupt Flag bit  
1 = TMR4 to PR4 match occurred (must be cleared in software)  
0 = No TMR4 to PR4 match occurred

**Note 1:** Unimplemented in devices with a program memory of 32 Kbytes (PIC18FX5K90).

# PIC18F87K90 FAMILY

## REGISTER 10-9: PIR6: PERIPHERAL INTERRUPT FLAG REGISTER 6

|       |     |     |       |     |        |        |        |
|-------|-----|-----|-------|-----|--------|--------|--------|
| U-0   | U-0 | U-0 | R/W-0 | U-0 | R/W-0  | R/W-0  | R/W-0  |
| —     | —   | —   | EEIF  | —   | CMP3IF | CMP2IF | CMP1IF |
| bit 7 |     |     |       |     |        |        | bit 0  |

### Legend:

|                   |                  |                                    |
|-------------------|------------------|------------------------------------|
| R = Readable bit  | W = Writable bit | U = Unimplemented bit, read as '0' |
| -n = Value at POR | '1' = Bit is set | '0' = Bit is cleared               |
|                   |                  | x = Bit is unknown                 |

- bit 7-5      **Unimplemented:** Read as '0'
- bit 4      **EEIF:** Data EEDATA/Flash Write Operation Interrupt Flag bit
  - 1 = The write operation is complete (must be cleared in software)
  - 0 = The write operation is not complete, or has not been started
- bit 3      **Unimplemented:** Read as '0'
- bit 2      **CMP3IF:** CMP3 Interrupt Flag bit
  - 1 = CMP3 interrupt occurred (must be cleared in software)
  - 0 = No CMP3 interrupt occurred
- bit 1      **CMP2IF:** CMP2 Interrupt Flag bit
  - 1 = CMP2 interrupt occurred (must be cleared in software)
  - 0 = No CMP2 interrupt occurred
- bit 0      **CMP1IF:** CMP1 Interrupt Flag bit
  - 1 = CMP1 interrupt occurred (must be cleared in software)
  - 0 = No CMP1 interrupt occurred

# PIC18F87K90 FAMILY

## 10.3 PIE Registers

The PIE registers contain the individual enable bits for the peripheral interrupts. Due to the number of peripheral interrupt sources, there are six Peripheral Interrupt Enable registers (PIE1 through PIE6). When IPEN (RCON<7>) = 0, the PEIE bit must be set to enable any of these peripheral interrupts.

### REGISTER 10-10: PIE1: PERIPHERAL INTERRUPT ENABLE REGISTER 1

|       |       |       |       |        |         |        |        |
|-------|-------|-------|-------|--------|---------|--------|--------|
| U-0   | R/W-0 | R/W-0 | R/W-0 | R/W-0  | R/W-0   | R/W-0  | R/W-0  |
| —     | ADIE  | RC1IE | TX1IE | SSP1IE | TMR1GIE | TMR2IE | TMR1IE |
| bit 7 |       |       |       |        |         |        | bit 0  |

#### Legend:

|                   |                  |                                    |                    |
|-------------------|------------------|------------------------------------|--------------------|
| R = Readable bit  | W = Writable bit | U = Unimplemented bit, read as '0' |                    |
| -n = Value at POR | '1' = Bit is set | '0' = Bit is cleared               | x = Bit is unknown |

- bit 7      **Unimplemented:** Read as '0'
- bit 6      **ADIE:** A/D Converter Interrupt Enable bit  
1 = Enables the A/D interrupt  
0 = Disables the A/D interrupt
- bit 5      **RC1IE:** EUSART Receive Interrupt Enable bit  
1 = Enables the EUSART receive interrupt  
0 = Disables the EUSART receive interrupt
- bit 4      **TX1IE:** EUSART Transmit Interrupt Enable bit  
1 = Enables the EUSART transmit interrupt  
0 = Disables the EUSART transmit interrupt
- bit 3      **SSP1IE:** Master Synchronous Serial Port Interrupt Enable bit  
1 = Enables the MSSP interrupt  
0 = Disables the MSSP interrupt
- bit 2      **TMR1GIE:** TMR1 Gate Interrupt Enable bit  
1 = Enables the gate  
0 = Disables the gate
- bit 1      **TMR2IE:** TMR2 to PR2 Match Interrupt Enable bit  
1 = Enables the TMR2 to PR2 match interrupt  
0 = Disables the TMR2 to PR2 match interrupt
- bit 0      **TMR1IE:** TMR1 Overflow Interrupt Enable bit  
1 = Enables the TMR1 overflow interrupt  
0 = Disables the TMR1 overflow interrupt

# PIC18F87K90 FAMILY

## REGISTER 10-11: PIE2: PERIPHERAL INTERRUPT ENABLE REGISTER 2

|        |     |        |        |        |        |        |         |
|--------|-----|--------|--------|--------|--------|--------|---------|
| R/W-0  | U-0 | R/W-0  | R/W-0  | R/W-0  | R/W-0  | R/W-0  | R/W-0   |
| OSCFIE | —   | SSP2IE | BCL2IE | BCL1IE | HLVDIE | TMR3IE | TMR3GIE |
| bit 7  |     |        |        |        |        |        | bit 0   |

### Legend:

R = Readable bit

W = Writable bit

U = Unimplemented bit, read as '0'

-n = Value at POR

'1' = Bit is set

'0' = Bit is cleared

x = Bit is unknown

- bit 7      **OSCFIE:** Oscillator Fail Interrupt Enable bit  
          1 = Enabled  
          0 = Disabled
- bit 6      **Unimplemented:** Read as '0'
- bit 5      **SSP2IE:** Master Synchronous Serial Port 2 Interrupt Enable bit  
          1 = Enables the MSSP interrupt  
          0 = Disables the MSSP interrupt
- bit 4      **BCL2IE:** Bus Collision Interrupt Enable bit  
          1 = Enables the bus collision interrupt  
          0 = Disables the bus collision interrupt
- bit 3      **BCL1IE:** Bus Collision Interrupt Enable bit  
          1 = Enabled  
          0 = Disabled
- bit 2      **HLVDIE:** High/Low-Voltage Detect Interrupt Enable bit  
          1 = Enabled  
          0 = Disabled
- bit 1      **TMR3IE:** TMR3 Overflow Interrupt Enable bit  
          1 = Enabled  
          0 = Disabled
- bit 0      **TMR3GIE:** Timer3 Gate Interrupt Enable bit  
          1 = Enabled  
          0 = Disabled

# PIC18F87K90 FAMILY

## REGISTER 10-12: PIE3: PERIPHERAL INTERRUPT ENABLE REGISTER 3

|         |                      |       |       |        |        |        |        |
|---------|----------------------|-------|-------|--------|--------|--------|--------|
| R/W-0   | R/W-0                | R-0   | R-0   | R/W-0  | R/W-0  | R/W-0  | R/W-0  |
| TMR5GIE | LCDIE <sup>(1)</sup> | RC2IE | TX2IE | CTMUIE | CCP2IE | CCP1IE | RTCCIE |
| bit 7   |                      |       |       |        |        |        | bit 0  |

### Legend:

R = Readable bit                      W = Writable bit                      U = Unimplemented bit, read as '0'  
 -n = Value at POR                      '1' = Bit is set                      '0' = Bit is cleared                      x = Bit is unknown

- bit 7            **TMR5GIE:** Timer5 Gate Interrupt Enable bit  
                   1 = Enabled  
                   0 = Disabled
- bit 6            **LCDIE:** LCD Interrupt Enable bit<sup>(1)</sup>  
                   1 = Enabled  
                   0 = Disabled
- bit 5            **RC2IE:** AUSART Receive Interrupt Enable bit  
                   1 = Enabled  
                   0 = Disabled
- bit 4            **TX2IE:** AUSART Transmit Interrupt Enable bit  
                   1 = Enabled  
                   0 = Disabled
- bit 3            **CTMUIE:** CTMU Interrupt Enable bit  
                   1 = Enabled  
                   0 = Disabled
- bit 2            **CCP2IE:** ECCP2 Interrupt Enable bit  
                   1 = Enabled  
                   0 = Disabled
- bit 1            **CCP1IE:** ECCP1 Interrupt Enable bit  
                   1 = Enabled  
                   0 = Disabled
- bit 0            **RTCCIE:** RTCC Interrupt Enable bit  
                   1 = Enabled  
                   0 = Disabled

**Note 1:** This bit is valid when the Type-B waveform with Non-Static mode is selected.

## REGISTER 10-13: PIE4: PERIPHERAL INTERRUPT ENABLE REGISTER 4

|                        |                       |        |        |        |        |        |        |
|------------------------|-----------------------|--------|--------|--------|--------|--------|--------|
| R/W-0                  | R/W-0                 | R/W-0  | R/W-0  | R/W-0  | R/W-0  | R/W-0  | R/W-0  |
| CCP10IE <sup>(1)</sup> | CCP9IE <sup>(1)</sup> | CCP8IE | CCP7IE | CCP6IE | CCP5IE | CCP4IE | CCP3IE |
| bit 7                  |                       |        |        |        |        |        | bit 0  |

### Legend:

R = Readable bit                      W = Writable bit                      U = Unimplemented bit, read as '0'  
 -n = Value at POR                      '1' = Bit is set                      '0' = Bit is cleared                      x = Bit is unknown

- bit 7-0            **CCP10IE:CCP3IE:** CCP<10:3> Interrupt Enable bits<sup>(1)</sup>  
                   1 = Enabled  
                   0 = Disabled

**Note 1:** CCP10IE and CCP9IE are unimplemented in devices with a program memory of 32 Kbytes (PIC18FX5K90).

# PIC18F87K90 FAMILY

## REGISTER 10-14: PIE5: PERIPHERAL INTERRUPT ENABLE REGISTER 5

| R/W-0                  | R/W-0                  | R/W-0                  | R/W-0  | R/W-0                 | R/W-0  | R/W-0  | R/W-0  |
|------------------------|------------------------|------------------------|--------|-----------------------|--------|--------|--------|
| TMR7GIE <sup>(1)</sup> | TMR12IE <sup>(1)</sup> | TMR10IE <sup>(1)</sup> | TMR8IE | TMR7IE <sup>(1)</sup> | TMR6IE | TMR5IE | TMR4IE |
| bit 7                  |                        |                        |        |                       |        |        | bit 0  |

### Legend:

R = Readable bit

W = Writable bit

U = Unimplemented bit, read as '0'

-n = Value at POR

'1' = Bit is set

'0' = Bit is cleared

x = Bit is unknown

- bit 7      **TMR7GIE:** TMR7 Gate Interrupt Enable bit<sup>(1)</sup>  
1 = Enabled  
0 = Disabled
- bit 6      **TMR12IE:** TMR12 to PR12 Match Interrupt Enable bit<sup>(1)</sup>  
1 = Enables the TMR12 to PR12 match interrupt  
0 = Disables the TMR12 to PR12 match interrupt
- bit 5      **TMR10IE:** TMR10 to PR10 Match Interrupt Enable bit<sup>(1)</sup>  
1 = Enables the TMR10 to PR10 match interrupt  
0 = Disables the TMR10 to PR10 match interrupt
- bit 4      **TMR8IE:** TMR8 to PR8 Match Interrupt Enable bit  
1 = Enables the TMR8 to PR8 match interrupt  
0 = Disables the TMR8 to PR8 match interrupt
- bit 3      **TMR7IE:** TMR7 Overflow Interrupt Enable bit<sup>(1)</sup>  
1 = Enables the TMR7 overflow interrupt  
0 = Disables the TMR7 overflow interrupt
- bit 2      **TMR6IE:** TMR6 to PR6 Match Interrupt Enable bit  
1 = Enables the TMR6 to PR6 match interrupt  
0 = Disables the TMR6 to PR6 match interrupt
- bit 1      **TMR5IE:** TMR5 Overflow Interrupt Enable bit  
1 = Enables the TMR5 overflow interrupt  
0 = Disables the TMR5 overflow interrupt
- bit 0      **TMR4IE:** TMR4 to PR4 Match Interrupt Enable bit  
1 = Enables the TMR4 to PR4 match interrupt  
0 = Disables the TMR4 to PR4 match interrupt

**Note 1:** Unimplemented in devices with a program memory of 32 Kbytes (PIC18FX5K90).

# PIC18F87K90 FAMILY

## REGISTER 10-15: PIE6: PERIPHERAL INTERRUPT ENABLE REGISTER 6

|       |     |     |       |     |        |        |        |
|-------|-----|-----|-------|-----|--------|--------|--------|
| U-0   | U-0 | U-0 | R/W-0 | U-0 | R/W-0  | R/W-0  | R/W-0  |
| —     | —   | —   | EEIE  | —   | CMP3IE | CMP2IE | CMP1IE |
| bit 7 |     |     |       |     |        |        | bit 0  |

### Legend:

R = Readable bit

W = Writable bit

U = Unimplemented bit, read as '0'

-n = Value at POR

'1' = Bit is set

'0' = Bit is cleared

x = Bit is unknown

bit 7-5      **Unimplemented:** Read as '0'

bit 4      **EEIE:** Data EEDATA/Flash Write Operation Enable bit

1 = Interrupt is enabled

0 = interrupt is disabled

bit 3      **Unimplemented:** Read as '0'

bit 2      **CMP3IE:** CMP3 Enable bit

1 = Interrupt is enabled

0 = interrupt is disabled

bit 1      **CMP2IE:** CMP2 Enable bit

1 = Interrupt is enabled

0 = interrupt is disabled

bit 0      **CMP1IE:** CMP1 Enable bit

1 = Interrupt is enabled

0 = interrupt is disabled



# PIC18F87K90 FAMILY

## 10.4 IPR Registers

The IPR registers contain the individual priority bits for the peripheral interrupts. Due to the number of peripheral interrupt sources, there are six Peripheral Interrupt Priority registers (IPR1 through IPR6). Using the priority bits requires that the Interrupt Priority Enable (IPEN) bit (RCON<7>) be set.

### REGISTER 10-16: IPR1: PERIPHERAL INTERRUPT PRIORITY REGISTER 1

| U-0   | R/W-1 | R/W-1 | R/W-1 | R/W-1  | R/W-1   | R/W-1  | R/W-1  |
|-------|-------|-------|-------|--------|---------|--------|--------|
| —     | ADIP  | RC1IP | TX1IP | SSP1IP | TMR1GIP | TMR2IP | TMR1IP |
| bit 7 |       |       |       |        |         |        | bit 0  |

#### Legend:

R = Readable bit

W = Writable bit

U = Unimplemented bit, read as '0'

-n = Value at POR

'1' = Bit is set

'0' = Bit is cleared

x = Bit is unknown

- bit 7      **Unimplemented:** Read as '0'
- bit 6      **ADIP:** A/D Converter Interrupt Priority bit  
1 = High priority  
0 = Low priority
- bit 5      **RC1IP:** EUSART Receive Interrupt Priority bit  
1 = High priority  
0 = Low priority
- bit 4      **TX1IP:** EUSART Transmit Interrupt Priority bit  
1 = High priority  
0 = Low priority
- bit 3      **SSP1IP:** Master Synchronous Serial Port Interrupt Priority bit  
1 = High priority  
0 = Low priority
- bit 2      **TMR1GIP:** Timer1 Gate Interrupt Priority bit  
1 = High priority  
0 = Low priority
- bit 1      **TMR2IP:** TMR2 to PR2 Match Interrupt Priority bit  
1 = High priority  
0 = Low priority
- bit 0      **TMR1IP:** TMR1 Overflow Interrupt Priority bit  
1 = High priority  
0 = Low priority

# PIC18F87K90 FAMILY

## REGISTER 10-17: IPR2: PERIPHERAL INTERRUPT PRIORITY REGISTER 2

|        |     |        |        |        |        |        |         |
|--------|-----|--------|--------|--------|--------|--------|---------|
| R/W-1  | U-0 | R/W-1  | R/W-1  | R/W-1  | R/W-1  | R/W-1  | R/W-1   |
| OSCFIP | —   | SSP2IP | BCL2IP | BCL1IP | HLVDIP | TMR3IP | TMR3GIP |
| bit 7  |     |        |        |        |        |        | bit 0   |

### Legend:

R = Readable bit

W = Writable bit

U = Unimplemented bit, read as '0'

-n = Value at POR

'1' = Bit is set

'0' = Bit is cleared

x = Bit is unknown

- bit 7      **OSCFIP:** Oscillator Fail Interrupt Priority bit  
1 = High priority  
0 = Low priority
- bit 6      **Unimplemented:** Read as '0'
- bit 5      **SSP2IP:** Master Synchronous Serial Port 2 Interrupt Priority bit  
1 = High priority  
0 = Low priority
- bit 4      **BCL2IP:** Bus Collision Interrupt priority bit (MSSP)  
1 = High priority  
0 = Low priority
- bit 3      **BCL1IP:** Bus Collision Interrupt Priority bit  
1 = High priority  
0 = Low priority
- bit 2      **HLVDIP:** High/Low-Voltage Detect Interrupt Priority bit  
1 = High priority  
0 = Low priority
- bit 1      **TMR3IP:** TMR3 Overflow Interrupt Priority bit  
1 = High priority  
0 = Low priority
- bit 0      **TMR3GIP:** TMR3 Gate Interrupt Priority bit  
1 = High priority  
0 = Low priority

# PIC18F87K90 FAMILY

## REGISTER 10-18: IPR3: PERIPHERAL INTERRUPT PRIORITY REGISTER 3

| R/W-1   | R/W-1 | R-1   | R-1   | R/W-1  | R/W-1  | R/W-1  | R/W-1  |
|---------|-------|-------|-------|--------|--------|--------|--------|
| TMR5GIP | LCDIP | RC2IP | TX2IP | CTMUIP | CCP2IP | CCP1IP | RTCCIP |
| bit 7   |       |       |       |        |        |        | bit 0  |

### Legend:

R = Readable bit                      W = Writable bit                      U = Unimplemented bit, read as '0'  
 -n = Value at POR                      '1' = Bit is set                      '0' = Bit is cleared                      x = Bit is unknown

- bit 7            **TMR5GIP:** Timer5 Gate interrupt Priority bit  
                   1 = High priority  
                   0 = Low priority
- bit 6            **LCDIP:** LCD Interrupt Priority bit (valid when the Type-B waveform with Non-Static mode is selected)  
                   1 = High priority  
                   0 = Low priority
- bit 5            **RC2IP:** AUSART Receive Priority Flag bit  
                   1 = High priority  
                   0 = Low priority
- bit 4            **TX2IP:** AUSART Transmit Interrupt Priority bit  
                   1 = High priority  
                   0 = Low priority
- bit 3            **CTMUIP:** CTMU Interrupt Priority bit  
                   1 = High priority  
                   0 = Low priority
- bit              **CCP2IP:** ECCP2 Interrupt Priority bit  
                   1 = High priority  
                   0 = Low priority
- bit              **CCP1IP:** ECCP1 Interrupt Priority bit  
                   1 = High priority  
                   0 = Low priority
- bit 0            **RTCCIP:** RTCC Interrupt Priority bit  
                   1 = High priority  
                   0 = Low priority

## REGISTER 10-19: IPR4: PERIPHERAL INTERRUPT PRIORITY REGISTER 4

| R/W-1                  | R/W-1                 | R/W-1  | R/W-1  | R/W-1  | R/W-1  | R/W-1  | R/W-1  |
|------------------------|-----------------------|--------|--------|--------|--------|--------|--------|
| CCP10IP <sup>(1)</sup> | CCP9IP <sup>(1)</sup> | CCP8IP | CCP7IP | CCP6IP | CCP5IP | CCP4IP | CCP3IP |
| bit 7                  |                       |        |        |        |        |        | bit 0  |

### Legend:

R = Readable bit                      W = Writable bit                      U = Unimplemented bit, read as '0'  
 -n = Value at POR                      '1' = Bit is set                      '0' = Bit is cleared                      x = Bit is unknown

- bit 7-0            **CCP10IP:CCP3IP:** CCP<10:3> Interrupt Priority bits<sup>(1)</sup>  
                   1 = High priority  
                   0 = Low priority

**Note 1:** CCP10IP and CCP9IP are unimplemented in devices with a program memory of 32 Kbytes (PIC18FX5K90).

# PIC18F87K90 FAMILY

## REGISTER 10-20: IPR5: PERIPHERAL INTERRUPT PRIORITY REGISTER 5

| R/W-1                  | R/W-1                  | R/W-1                  | R/W-1  | R/W-1                 | R/W-1  | R/W-1  | R/W-1  |
|------------------------|------------------------|------------------------|--------|-----------------------|--------|--------|--------|
| TMR7GIP <sup>(1)</sup> | TMR12IP <sup>(1)</sup> | TMR10IP <sup>(1)</sup> | TMR8IP | TMR7IP <sup>(1)</sup> | TMR6IP | TMR5IP | TMR4IP |
| bit 7                  |                        |                        |        |                       |        |        | bit 0  |

### Legend:

R = Readable bit

W = Writable bit

U = Unimplemented bit, read as '0'

-n = Value at POR

'1' = Bit is set

'0' = Bit is cleared

x = Bit is unknown

- bit 7      **TMR7GIP:** TMR7 Gate Interrupt Priority bit<sup>(1)</sup>  
            1 = High priority  
            0 = Low priority
- bit 6      **TMR12IP:** TMR12 to PR12 Match Interrupt Priority bit<sup>(1)</sup>  
            1 = High priority  
            0 = Low priority
- bit 5      **TMR10IP:** TMR10 to PR10 Match Interrupt Priority bit<sup>(1)</sup>  
            1 = High priority  
            0 = Low priority
- bit 4      **TMR8IP:** TMR8 to PR8 Match Interrupt Priority bit  
            1 = High priority  
            0 = Low priority
- bit 3      **TMR7IP:** TMR7 Overflow Interrupt Priority bit<sup>(1)</sup>  
            1 = High priority  
            0 = Low priority
- bit 2      **TMR6IP:** TMR6 to PR6 Match Interrupt Priority bit  
            1 = High priority  
            0 = Low priority
- bit 1      **TMR5IP:** TMR5 Overflow Interrupt Priority bit  
            1 = High priority  
            0 = Low priority
- bit 0      **TMR4IP:** TMR4 to PR4 Match Interrupt Priority bit  
            1 = High priority  
            0 = Low priority

**Note 1:** Unimplemented in devices with a program memory of 32 Kbytes (PIC18FX5K90).

# PIC18F87K90 FAMILY

## REGISTER 10-21: IPR6: PERIPHERAL INTERRUPT PRIORITY REGISTER 6

|       |     |     |       |     |        |        |        |
|-------|-----|-----|-------|-----|--------|--------|--------|
| U-0   | U-0 | U-0 | R/W-1 | U-0 | R/W-1  | R/W-1  | R/W-1  |
| —     | —   | —   | EEIP  | —   | CMP3IP | CMP2IP | CMP1IP |
| bit 7 |     |     |       |     |        |        | bit 0  |

### Legend:

|                   |                  |                                    |
|-------------------|------------------|------------------------------------|
| R = Readable bit  | W = Writable bit | U = Unimplemented bit, read as '0' |
| -n = Value at POR | '1' = Bit is set | '0' = Bit is cleared               |
|                   |                  | x = Bit is unknown                 |

- bit 7-5      **Unimplemented:** Read as '0'
- bit 4      **EEIP:** EE Interrupt Priority bit
  - 1 = High priority
  - 0 = Low priority
- bit 3      **SBOREN:** Read as '0'
- bit 2      **CMP3IP:** CMP3 Interrupt Priority bit
  - 1 = High priority
  - 0 = Low priority
- bit 1      **CMP2IP:** CMP2 Interrupt Priority bit
  - 1 = High priority
  - 0 = Low priority
- bit 0      **CMP1IP:** CMP1 Interrupt Priority bit
  - 1 = High priority
  - 0 = Low priority

# PIC18F87K90 FAMILY

## 10.5 RCON Register

The RCON register contains the bits used to determine the cause of the last Reset, or wake-up from Idle or Sleep modes. RCON also contains the bit that enables interrupt priorities (IPEN).

### REGISTER 10-22: RCON: RESET CONTROL REGISTER

|       |        |                        |                        |                        |                        |                         |                         |
|-------|--------|------------------------|------------------------|------------------------|------------------------|-------------------------|-------------------------|
| R/W-0 | R/W-1  | R/W-1                  | R/W-1                  | R-1                    | R-1                    | R/W-0                   | R/W-0                   |
| IPEN  | SBOREN | $\overline{\text{CM}}$ | $\overline{\text{RI}}$ | $\overline{\text{TO}}$ | $\overline{\text{PD}}$ | $\overline{\text{POR}}$ | $\overline{\text{BOR}}$ |
| bit 7 |        |                        |                        |                        |                        |                         | bit 0                   |

#### Legend:

|                   |                  |  |
|-------------------|------------------|--|
| R = Readable bit  | W = Writable bit | U = Unimplemented bit, read as '0'           |
| -n = Value at POR | '1' = Bit is set | '0' = Bit is cleared      x = Bit is unknown |

- bit 7      **IPEN:** Interrupt Priority Enable bit  
           1 = Enable priority levels on interrupts  
           0 = Disable priority levels on interrupts (PIC16CXXX Compatibility mode)
- bit 6      **SBOREN:** BOR Software Enable bit  
           If BOREN<1:0> = 01:  
           1 = BOR is enabled  
           0 = BOR is disabled  
           If BOREN<1:0> = 00, 10 or 11:  
           Bit is disabled and read as '0'.
- bit 5      **CM:** Configuration Mismatch Flag bit  
           1 = A Configuration Mismatch Reset has not occurred  
           0 = A Configuration Mismatch Reset has occurred (must be subsequently set in software)
- bit 4      **RI:** RESET Instruction Flag bit  
           For details of bit operation, see [Register 5-1](#).
- bit 3      **TO:** Watchdog Timer Time-out Flag bit  
           For details of bit operation, see [Register 5-1](#).
- bit 2      **PD:** Power-Down Detection Flag bit  
           For details of bit operation, see [Register 5-1](#).
- bit 1      **POR:** Power-on Reset Status bit  
           For details of bit operation, see [Register 5-1](#).
- bit 0      **BOR:** Brown-out Reset Status bit  
           For details of bit operation, see [Register 5-1](#).

## 10.6 INTx Pin Interrupts

External interrupts on the RB0/INT0, RB1/INT1, RB2/INT2 and RB3/INT3 pins are edge-triggered. If the corresponding INTEDGx bit in the INTCON2 register is set (= 1), the interrupt is triggered by a rising edge. If that bit is clear, the trigger is on the falling edge.

When a valid edge appears on the RBx/INTx pin, the corresponding flag bit, INTxIF, is set. This interrupt can be disabled by clearing the corresponding enable bit, INTxIE. Before re-enabling the interrupt, the flag bit (INTxIF) must be cleared in software in the Interrupt Service Routine.

All external interrupts (INT0, INT1, INT2 and INT3) can wake up the processor from the power-managed modes if bit, INTxIE, was set prior to going into the power-managed modes. If the Global Interrupt Enable bit (GIE) is set, the processor will branch to the interrupt vector following wake-up.

The interrupt priority for INT1, INT2 and INT3 is determined by the value contained in the Interrupt Priority bits, INT1IP (INTCON3<6>), INT2IP (INTCON3<7>) and INT3IP (INTCON2<1>).

There is no priority bit associated with INT0. It is always a high-priority interrupt source.

## 10.7 TMR0 Interrupt

In 8-bit mode (the default), an overflow in the TMR0 register (FFh → 00h) will set flag bit, TMR0IF. In 16-bit mode, an overflow in the TMR0H:TMR0L register pair (FFFFh → 0000h) will set TMR0IF.

The interrupt can be enabled/disabled by setting/clearing enable bit, TMR0IE (INTCON<5>). Interrupt priority for Timer0 is determined by the value contained in the interrupt priority bit, TMR0IP (INTCON2<2>). For further details on the Timer0 module, see **Section 12.0 “Timer0 Module”**.

## 10.8 PORTB Interrupt-on-Change

An input change on PORTB<7:4> sets flag bit, RBIF (INTCON<0>). The interrupt can be enabled/disabled by setting/clearing enable bit, RBIE (INTCON<3>).

Interrupt priority for PORTB interrupt-on-change is determined by the value contained in the interrupt priority bit, RBIP (INTCON2<0>).

## 10.9 Context Saving During Interrupts

During interrupts, the return PC address is saved on the stack. Additionally, the WREG, STATUS and BSR registers are saved on the Fast Return Stack.

If a fast return from interrupt is not used (see **Section 6.3 “Data Memory Organization”**), the user may need to save the WREG, STATUS and BSR registers on entry to the Interrupt Service Routine (ISR). Depending on the user's application, other registers may also need to be saved.

**Example 10-1** saves and restores the WREG, STATUS and BSR registers during an Interrupt Service Routine.

### EXAMPLE 10-1: SAVING STATUS, WREG AND BSR REGISTERS IN RAM

```
MOVWF  W_TEMP          ; W_TEMP is in virtual bank
MOVFF  STATUS, STATUS_TEMP ; STATUS_TEMP located anywhere
MOVFF  BSR, BSR_TEMP    ; BSR_TEMP located anywhere
;
; USER ISR CODE
;
MOVFF  BSR_TEMP, BSR    ; Restore BSR
MOVF  W_TEMP, W        ; Restore WREG
MOVFF  STATUS_TEMP, STATUS ; Restore STATUS
```

# PIC18F87K90 FAMILY

**TABLE 10-1: SUMMARY OF REGISTERS ASSOCIATED WITH INTERRUPTS**

| Name    | Bit 7                                      | Bit 6                  | Bit 5                  | Bit 4                  | Bit 3                  | Bit 2                  | Bit 1                   | Bit 0                   | Reset Values on Page: |
|---------|--|------------------------|------------------------|------------------------|------------------------|------------------------|-------------------------|-------------------------|-----------------------|
| INTCON  | GIE/GIEH                                   | PEIE/GIEL              | TMR0IE                 | INT0IE                 | RBIE                   | TMR0IF                 | INT0IF                  | RBIF                    | 75                    |
| INTCON2 | $\overline{\text{RBP}}\overline{\text{U}}$ | INTEDG0                | INTEDG1                | INTEDG2                | INTEDG3                | TMR0IP                 | INT3IP                  | RBIP                    | 75                    |
| INTCON3 | INT2IP                                     | INT1IP                 | INT3IE                 | INT2IE                 | INT1IE                 | INT3IF                 | INT2IF                  | INT1IF                  | 75                    |
| PIR1    | —  | ADIF                   | RC1IF                  | TX1IF                  | SSP1IF                 | TMR1GIF                | TMR2IF                  | TMR1IF                  | 77                    |
| PIR2    | OSCFIF                                     | —                      | SSP2IF                 | BCL2IF                 | BCL1IF                 | HLVDIF                 | TMR3IF                  | TMR3GIF                 | 77                    |
| PIR3    | TMR5GIF                                    | LCDIF                  | RC2IF                  | TX2IF                  | CTMUIF                 | CCP2IF                 | CCP1IF                  | RTCCIF                  | 77                    |
| PIR4    | CCP10IF <sup>(1)</sup>                     | CCP9IF <sup>(1)</sup>  | CCP8IF                 | CCP7IF                 | CCP6IF                 | CCP5IF                 | CCP4IF                  | CCP3IF                  | 77                    |
| PIR5    | TMR7GIF <sup>(1)</sup>                     | TMR12IF <sup>(1)</sup> | TMR10IF <sup>(1)</sup> | TMR8IF                 | TMR7IF <sup>(1)</sup>  | TMR6IF                 | TMR5IF                  | TMR4IF                  | 77                    |
| PIR6    | —  | —                      | —                      | EEIF                   | —                      | CMP3IF                 | CMP2IF                  | CMP1IF                  | 77                    |
| PIE1    | —  | ADIE                   | RC1IE                  | TX1IE                  | SSP1IE                 | TMR1GIE                | TMR2IE                  | TMR1IE                  | 77                    |
| PIE2    | OSCFIE                                     | —                      | SSP2IE                 | BCL2IE                 | BCL1IE                 | HLVDIE                 | TMR3IE                  | TMR3GIE                 | 77                    |
| PIE3    | TMR5GIE                                    | LCDIE                  | RC2IE                  | TX2IE                  | CTMUIE                 | CCP2IE                 | CCP1IE                  | RTCCIE                  | 77                    |
| PIE4    | CCP10IE <sup>(1)</sup>                     | CCP9IE <sup>(1)</sup>  | CCP8IE                 | CCP7IE                 | CCP6IE                 | CCP5IE                 | CCP4IE                  | CCP3IE                  | 77                    |
| PIE5    | TMR7GIE <sup>(1)</sup>                     | TMR12IE <sup>(1)</sup> | TMR10IE <sup>(1)</sup> | TMR8IE                 | TMR7IE <sup>(1)</sup>  | TMR6IE                 | TMR5IE                  | TMR4IE                  | 77                    |
| PIE6    | —  | —                      | —                      | EEIE                   | —                      | CMP3IE                 | CMP2IE                  | CMP1IE                  | 80                    |
| IPR1    | —  | ADIP                   | RC1IP                  | TX1IP                  | SSP1IP                 | TMR1GIP                | TMR2IP                  | TMR1IP                  | 77                    |
| IPR2    | OSCFIP                                     | —                      | SSP2IP                 | BCL2IP                 | BCL1IP                 | HLVDIP                 | TMR3IP                  | TMR3GIP                 | 77                    |
| IPR3    | TMR5GIP                                    | LCDIP                  | RC2IP                  | TX2IP                  | CTMUIP                 | CCP2IP                 | CCP1IP                  | RTCCIP                  | 77                    |
| IPR4    | CCP10IP <sup>(1)</sup>                     | CCP9IP <sup>(1)</sup>  | CCP8IP                 | CCP7IP                 | CCP6IP                 | CCP5IP                 | CCP4IP                  | CCP3IP                  | 77                    |
| IPR5    | TMR7GIP <sup>(1)</sup>                     | TMR12IP <sup>(1)</sup> | TMR10IP <sup>(1)</sup> | TMR8IP                 | TMR7IP <sup>(1)</sup>  | TMR6IP                 | TMR5IP                  | TMR4IP                  | 76                    |
| IPR6    | —  | —                      | —                      | EEIP                   | —                      | CMP3IP                 | CMP2IP                  | CMP1IP                  | 77                    |
| RCON    | IPEN                                       | SBOREN                 | $\overline{\text{CM}}$ | $\overline{\text{RI}}$ | $\overline{\text{TO}}$ | $\overline{\text{PD}}$ | $\overline{\text{POR}}$ | $\overline{\text{BOR}}$ | 76                    |

**Legend:** Shaded cells are not used by the interrupts.

**Note 1:** Unimplemented in devices with a program memory of 32 Kbytes (PIC18FX5K90).



## 11.0 I/O PORTS

Depending on the device selected and features enabled, there are up to nine ports available. Some pins of the I/O ports are multiplexed with an alternate function from the peripheral features on the device. In general, when a peripheral is enabled, that pin may not be used as a general purpose I/O pin.

Each port has three memory mapped registers for its operation:

- TRIS register (Data Direction register)
- PORT register (reads the levels on the pins of the device)
- LAT register (Output Latch register)

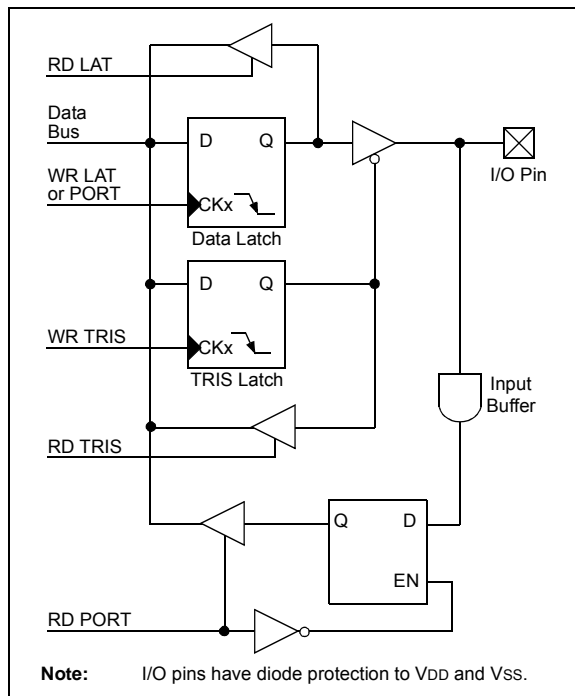
Reading the PORT register reads the current status of the pins, whereas writing to the PORT register writes to the Output Latch (LAT) register.

Setting a TRIS bit (= 1) makes the corresponding port pin an input (putting the corresponding output driver in a High-Impedance mode). Clearing a TRIS bit (= 0) makes the corresponding port pin an output (i.e., puts the contents of the corresponding LAT bit on the selected pin).

The Output Latch (LAT register) is useful for read-modify-write operations on the value that the I/O pins are driving. Read-modify-write operations on the LAT register, read and write the latched output value for the PORT register.

A simplified model of a generic I/O port, without the interfaces to other peripherals, is shown in Figure 11-1.

**FIGURE 11-1: GENERIC I/O PORT OPERATION**



## 11.1 I/O Port Pin Capabilities

When developing an application, the capabilities of the port pins must be considered. Outputs on some pins have higher output drive strength than others. Similarly, some pins can tolerate higher than V<sub>DD</sub> input levels.

All of the digital ports are 5.5V input tolerant. The analog ports have the same tolerance, having clamping diodes implemented internally.

### 11.1.1 PIN OUTPUT DRIVE

When used as digital I/O, the output pin drive strengths vary, according to the pins' grouping, to meet the needs for a variety of applications. In general, there are two classes of output pins, in terms of drive capability:

- Outputs designed to drive higher current loads, such as LEDs:
  - PORTA
  - PORTB
  - PORTC
- Outputs with lower drive levels, but capable of driving normal digital circuit loads with a high input impedance. Also, able to drive LEDs, but only those with smaller current requirements:
  - PORTD
  - PORTE
  - PORTF
  - PORTG
  - PORTH<sup>(†)</sup>
  - PORTJ<sup>(†)</sup>

† These ports are not available in 64-pin devices.

For more details, see "Absolute Maximum Ratings" in Section 31.0 "Electrical Characteristics".

Regardless of its port, all output pins in LCD Segment or common-mode have sufficient output to directly drive a display.

### 11.1.2 PULL-UP CONFIGURATION

Four of the I/O ports (PORTB, PORTD, PORTE and PORTJ) implement configurable weak pull-ups on all pins. These are internal pull-ups that allow floating digital input signals to be pulled to a consistent level without the use of external resistors.

The pull-ups are enabled with a single bit for each of the ports: RBPU (INTCON2<7>) for PORTB, and RDP, REP and RJP (PADCFG1<7:5>) for the other ports. By setting RDP, REP and RJP, each of the pull-ups on these ports can be enabled. The pull-ups are disabled on a POR event.

# PIC18F87K90 FAMILY

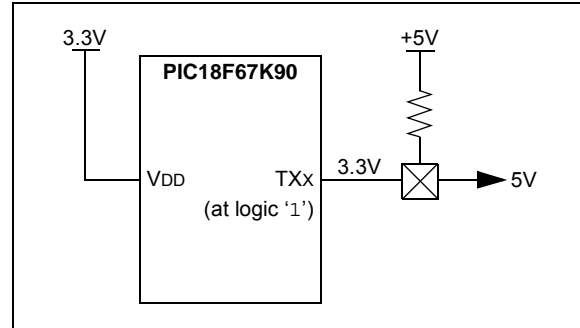
## 11.1.3 OPEN-DRAIN OUTPUTS

The output pins for several peripherals are also equipped with a configurable, open-drain output option. This allows the peripherals to communicate with external digital logic, operating at a higher voltage level, without the use of level translators.

The open-drain option is implemented on port pins specifically associated with the data and clock outputs of the USARTs, the MSSP module (in SPI mode) and the CCP modules. This option is selectively enabled by setting the open-drain control bits in the registers: ODCON1, ODCON2 and ODCON3.

When the open-drain option is required, the output pin must also be tied through an external pull-up resistor provided by the user to a higher voltage level, up to 5V (Figure 11-2). When a digital logic high signal is output, it is pulled up to the higher voltage level.

**FIGURE 11-2: USING THE OPEN-DRAIN OUTPUT (USART SHOWN AS EXAMPLE)**



### REGISTER 11-1: ODCON1: PERIPHERAL OPEN-DRAIN CONTROL REGISTER 1

|        |        |        |     |     |     |     |        |
|--------|--------|--------|-----|-----|-----|-----|--------|
| R/W-0  | R/W-0  | R/W-0  | U-0 | U-0 | U-0 | U-0 | R/W-0  |
| SSP1OD | CCP2OD | CCP1OD | —   | —   | —   | —   | SSP2OD |
| bit 7  |        |        |     |     |     |     | bit 0  |

**Legend:**

R = Readable bit                      W = Writable bit                      U = Unimplemented bit, read as '0'  
 -n = Value at POR                      '1' = Bit is set                      '0' = Bit is cleared                      x = Bit is unknown

- bit 7                      **SSP1OD:** SPI1 Open-Drain Output Enable bit  
 1 = Open-drain capability is enabled  
 0 = Open-drain capability is disabled
- bit 6                      **CCP2OD:** ECCP2 Open-Drain Output Enable bit  
 1 = Open-drain capability is enabled  
 0 = Open-drain capability is disabled
- bit 5                      **CCP1OD:** ECCP1 Open-Drain Output Enable bit  
 1 = Open-drain capability is enabled  
 0 = Open-drain capability is disabled
- bit 4-1                      **Unimplemented:** Read as '0'
- bit 0                      **SSP2OD:** SPI2 Open-Drain Output Enable bit  
 1 = Open-drain capability is enabled  
 0 = Open-drain capability is disabled

# PIC18F87K90 FAMILY

**REGISTER 11-2: ODCON2: PERIPHERAL OPEN-DRAIN CONTROL REGISTER 2**

| R/W-0                  | R/W-0                 | R/W-0  | R/W-0  | R/W-0  | R/W-0  | R/W-0  | R/W-0  |
|------------------------|-----------------------|--------|--------|--------|--------|--------|--------|
| CCP10OD <sup>(1)</sup> | CCP9OD <sup>(1)</sup> | CCP8OD | CCP7OD | CCP6OD | CCP5OD | CCP4OD | CCP3OD |
| bit 7                  |                       |        |        |        |        |        | bit 0  |

**Legend:**

|                   |                  |                                    |
|-------------------|------------------|------------------------------------|
| R = Readable bit  | W = Writable bit | U = Unimplemented bit, read as '0' |
| -n = Value at POR | '1' = Bit is set | '0' = Bit is cleared               |
|                   |                  | x = Bit is unknown                 |

- bit 7      **CCP10OD:** CCP10 Open-Drain Output Enable bit<sup>(1)</sup>  
             1 = Open-drain capability is enabled  
             0 = Open-drain capability is disabled
- bit 6      **CCP9OD:** CCP9 Open-Drain Output Enable bit<sup>(1)</sup>  
             1 = Open-drain capability is enabled  
             0 = Open-drain capability is disabled
- bit 5      **CCP8OD:** CCP8 Open-Drain Output Enable bit  
             1 = Open-drain capability is enabled  
             0 = Open-drain capability is disabled
- bit 4      **CCP7OD:** CCP7 Open-Drain Output Enable bit  
             1 = Open-drain capability is enabled  
             0 = Open-drain capability is disabled
- bit 3      **CCP6OD:** CCP6 Open-Drain Output Enable bit  
             1 = Open-drain capability is enabled  
             0 = Open-drain capability is disabled
- bit 2      **CCP5OD:** CCP5 Open-Drain Output Enable bit  
             1 = Open-drain capability is enabled  
             0 = Open-drain capability is disabled
- bit 1      **CCP4OD:** CCP4 Open-Drain Output Enable bit  
             1 = Open-drain capability is enabled  
             0 = Open-drain capability is disabled
- bit 0      **CCP3OD:** ECCP3 Open-Drain Output Enable bit  
             1 = Open-drain capability is enabled  
             0 = Open-drain capability is disabled

**Note 1:** Unimplemented in devices with a program memory of 32 Kbytes (PIC18FX5K90).

# PIC18F87K90 FAMILY

## REGISTER 11-3: ODCON3: PERIPHERAL OPEN-DRAIN CONTROL REGISTER 3

|       |       |     |     |     |     |     |         |
|-------|-------|-----|-----|-----|-----|-----|---------|
| R/W-0 | R/W-0 | U-0 | U-0 | U-0 | U-0 | U-0 | R/W-0   |
| U2OD  | U1OD  | —   | —   | —   | —   | —   | CTMU DS |
| bit 7 |       |     |     |     |     |     | bit 0   |

### Legend:

|                   |                  |                                    |
|-------------------|------------------|------------------------------------|
| R = Readable bit  | W = Writable bit | U = Unimplemented bit, read as '0' |
| -n = Value at POR | '1' = Bit is set | '0' = Bit is cleared               |
|                   |                  | x = Bit is unknown                 |

- bit 7      **U2OD:** EUSART2 Open-Drain Output Enable bit  
           1 = Open-drain capability is enabled  
           0 = Open-drain capability is disabled
- bit 6      **U1OD:** EUSART1 Open-Drain Output Enable bit  
           1 = Open-drain capability is enabled  
           0 = Open-drain capability is disabled
- bit 5-1    **Unimplemented:** Read as '0'
- bit 0      **CTMU DS:** CTMU Pulse Delay Enable bit  
           1 = Pulse delay input for CTMU is enabled on pin, RF1  
           0 = Pulse delay input for CTMU is disabled on pin, RF1

### 11.1.4 ANALOG AND DIGITAL PORTS

Many of the ports multiplex analog and digital functionality, providing a lot of flexibility for hardware designers. PIC18F87K90 family devices can make any analog pin, analog or digital, depending on an application's needs. The ports' analog/digital functionality is controlled by the registers: ANCON0, ANCON1 and ANCON2.

Setting these registers makes the corresponding pins analog and clearing the registers makes the ports digital. For details on these registers, see [Section 23.0 "12-Bit Analog-to-Digital Converter \(A/D\) Module"](#).

## 11.2 PORTA, TRISA and LATA Registers

PORTA is an 8-bit wide, bidirectional port. The corresponding Data Direction and Output Latch registers are TRISA and LATA.

RA4/T0CKI is a Schmitt Trigger input. All other PORTA pins have TTL input levels and full CMOS output drivers.

The RA4 pin is multiplexed with the Timer0 clock input and one of the LCD segment drives. RA5 and RA<3:0> are multiplexed with analog inputs for the A/D Converter. RA1 is multiplexed with analog as well as the LCD segment drive.

The operation of the analog inputs as A/D Converter inputs is selected by clearing or setting the ANSEL<3:0> control bits in the ANCON1 register. The corresponding TRISA bits control the direction of these pins, even when they are being used as analog inputs. The user must ensure the bits in the TRISA register are maintained set when using them as analog inputs.

**Note:** RA5 and RA<3:0> are configured as analog inputs on any Reset and are read as '0'. RA4 is configured as a digital input.

OSC2/CLKO/RA6 and OSC1/CLKI/RA7 normally serve as the external circuit connections for the external (primary) oscillator circuit (HS Oscillator modes) or the external clock input and output (EC Oscillator modes). In these cases, RA6 and RA7 are not available as digital I/O and their corresponding TRIS and LAT bits are read as '0'. When the device is configured to use HF-INTOSC, MF-INTOSC or LF-INTOSC as the default oscillator mode, RA6 and RA7 are automatically configured as digital I/O; the oscillator and clock in/clock out functions are disabled.

RA1, RA4 and RA5 are multiplexed with LCD segment drives that are controlled by bits in the LCDSE1 and LCDSE2 registers. I/O port functionality is only available when the LCD segments are disabled.

RA5 has additional functionality for Timer1 and Timer3. It can be configured as the Timer1 clock input or the Timer3 external clock gate input.

### EXAMPLE 11-1: INITIALIZING PORTA

```
CLRF    PORTA    ; Initialize PORTA by
                ; clearing output latches
CLRF    LATA     ; Alternate method to
                ; clear output data latches

BANKSEL ANCON1
MOVLW  00h      ; Configure A/D
MOVWF  ANCON1   ; for digital inputs
MOVLW  0BFh     ; Value used to initialize
                ; data direction
MOVWF  TRISA    ; Set RA<7, 5:0> as inputs,
                ; RA<6> as output
```

# PIC18F87K90 FAMILY

**TABLE 11-1: PORTA FUNCTIONS**

| Pin Name                       | Function | TRIS Setting | I/O | I/O Type  | Description  |
|--------------------------------|----------|--------------|-----|---|--|
| RA0/AN0/ULPWU                  | RA0      | 0            | O   | DIG   | LATA<0> data output; not affected by analog input.                                       |
|                                |          | 1            | I   | TTL   | PORTA<0> data input; disabled when analog input is enabled.                              |
|                                | AN0      | 1            | I   | ANA   | A/D Input Channel 0. Default input configuration on POR; does not affect digital output. |
|                                | ULPWU    | 1            | I   | ANA   | Ultra Low-Power Wake-up (ULPWU) input.   |
| RA1/AN1/SEG18                  | RA1      | 0            | O   | DIG   | LATA<1> data output; not affected by analog input.                                       |
|                                |          | 1            | I   | TTL   | PORTA<1> data input; disabled when analog input is enabled.                              |
|                                | AN1      | 1            | I   | ANA   | A/D Input Channel 1. Default input configuration on POR; does not affect digital output. |
|                                | SEG18    | 1            | O   | ANA   | LCD Segment 18 output; disables all other pin functions.                                 |
| RA2/AN2/VREF-                  | RA2      | 0            | O   | DIG   | LATA<2> data output; not affected by analog input.                                       |
|                                |          | 1            | I   | TTL   | PORTA<2> data input; disabled when analog functions are enabled.                         |
|                                | AN2      | 1            | I   | ANA   | A/D Input Channel 2. Default input configuration on POR.                                 |
|                                | VREF-    | 1            | I   | ANA   | A/D and comparator low reference voltage input.  |
| RA3/AN3/VREF+                  | RA3      | 0            | O   | DIG   | LATA<3> data output; not affected by analog input.                                       |
|                                |          | 1            | I   | TTL   | PORTA<3> data input; disabled when analog input is enabled.                              |
|                                | AN3      | 1            | I   | ANA   | A/D Input Channel 3. Default input configuration on POR.                                 |
|                                | VREF+    | 1            | I   | ANA   | A/D and comparator high reference voltage input.   |
| RA4/T0CKI/SEG14                | RA4      | 0            | O   | DIG   | LATA<4> data output.   |
|                                |          | 1            | I   | ST  | PORTA<4> data input. Default configuration on POR.                                       |
|                                | T0CKI    | x            | I   | ST  | Timer0 clock input.  |
|                                | SEG14    | 1            | O   | ANA   | LCD Segment 14 output; disables all other pin functions.                                 |
| RA5/AN4/SEG15/T1CKI/T3G/HLVDIN | RA5      | 0            | O   | DIG   | LATA<5> data output; not affected by analog input.                                       |
|                                |          | 1            | I   | TTL   | PORTA<5> data input; disabled when analog input is enabled.                              |
|                                | AN4      | 1            | I   | ANA   | A/D Input Channel 4. Default configuration on POR.                                       |
|                                | SEG15    | 1            | O   | ANA   | LCD Segment 15 output; disables all other pin functions.                                 |
|                                | T1CKI    | x            | I   | ST  | Timer1 clock input.  |
|                                | T3G      | x            | I   | ST  | Timer3 external clock gate input.  |
| HLVDIN                         | 1        | I            | ANA | High/Low-Voltage Detect (HLVD) external trip point input. |  |
| OSC2/CLKO/RA6                  | OSC2     | x            | O   | ANA   | Main oscillator feedback output connection (HS, XT and LP modes).                        |
|                                | CLKO     | x            | O   | DIG   | System cycle clock output (Fosc/4, EC and INTOSC modes).                                 |
|                                | RA6      | 0            | O   | DIG   | LATA<6> data output; disabled when OSC2 Configuration bit is set.                        |
|                                |          | 1            | I   | TTL   | PORTA<6> data input; disabled when OSC2 Configuration bit is set.                        |
| OSC1/CLKI/RA7                  | OSC1     | x            | I   | ANA   | Main oscillator input connection (HS, XT and LP modes).                                  |
|                                | CLKI     | x            | I   | ANA   | Main external clock source input (EC modes).   |
|                                | RA7      | 0            | O   | DIG   | LATA<7> data output; disabled when OSC2 Configuration bit is set.                        |
|                                |          | 1            | I   | TTL   | PORTA<7> data input; disabled when OSC2 Configuration bit is set.                        |

**Legend:** O = Output, I = Input, ANA = Analog Signal, DIG = Digital Output, ST = Schmitt Trigger Buffer Input, TTL = TTL Buffer Input, x = Don't care (TRIS bit does not affect port direction or is overridden for this option).

# PIC18F87K90 FAMILY

**TABLE 11-2: SUMMARY OF REGISTERS ASSOCIATED WITH PORTA**

| Name   | Bit 7                 | Bit 6                 | Bit 5   | Bit 4   | Bit 3   | Bit 2   | Bit 1  | Bit 0  | Reset Values on Page: |
|--------|-----------------------|-----------------------|---------|---------|---------|---------|--------|--------|-----------------------|
| PORTA  | RA7 <sup>(1)</sup>    | RA6 <sup>(1)</sup>    | RA5     | RA4     | RA3     | RA2     | RA1    | RA0    | 78                    |
| LATA   | LATA7 <sup>(1)</sup>  | LATA6 <sup>(1)</sup>  | LATA5   | LATA4   | LATA3   | LATA2   | LATA1  | LATA0  | 78                    |
| TRISA  | TRISA7 <sup>(1)</sup> | TRISA6 <sup>(1)</sup> | TRISA5  | TRISA4  | TRISA3  | TRISA2  | TRISA1 | TRISA0 | 78                    |
| ANCON1 | ANSEL15               | ANSEL14               | ANSEL13 | ANSEL12 | ANSEL11 | ANSEL10 | ANSEL9 | ANSEL8 | 81                    |
| LCDSE1 | SE15                  | SE14                  | SE13    | SE12    | SE11    | SE10    | SE09   | SE08   | 83                    |
| LCDSE2 | SE23                  | SE22                  | SE21    | SE20    | SE19    | SE18    | SE17   | SE16   | 83                    |

**Legend:** — = unimplemented, read as '0'. Shaded cells are not used by PORTA.

**Note 1:** These bits are enabled depending on the oscillator mode selected. When not enabled as PORTA pins, they are disabled and read as 'x'.

# PIC18F87K90 FAMILY

## 11.3 PORTB, TRISB and LATB Registers

PORTB is an 8-bit wide, bidirectional port. The corresponding Data Direction and Output Latch registers are TRISB and LATB. All pins on PORTB are digital only.

### EXAMPLE 11-2: INITIALIZING PORTB

```
CLRF   PORTB   ; Initialize PORTB by
           ; clearing output
           ; data latches
CLRF   LATB    ; Alternate method
           ; to clear output
           ; data latches
MOVLW  0CFh   ; Value used to
           ; initialize data
           ; direction
MOVWF  TRISB   ; Set RB<3:0> as inputs
           ; RB<5:4> as outputs
           ; RB<7:6> as inputs
```

Each of the PORTB pins has a weak internal pull-up. A single control bit can turn on all the pull-ups. This is performed by clearing bit,  $\overline{RBPU}$  (INTCON2<7>). The weak pull-up is automatically turned off when the port pin is configured as an output. The pull-ups are disabled on a Power-on Reset.

Four of the PORTB pins (RB<7:4>) have an interrupt-on-change feature. Only pins configured as inputs can cause this interrupt to occur. Any RB<7:4> pin configured as an output will be excluded from the interrupt-on-change comparison.

Comparisons with the input pins (of RB<7:4>) are made with the old value latched on the last read of PORTB. The “mismatch” outputs of RB<7:4> are ORed together to generate the RB Port Change Interrupt with Flag bit, RBIF (INTCON<0>).

This interrupt can wake the device from power-managed modes. To clear the interrupt in the Interrupt Service Routine (ISR):

- Any read or write of PORTB (except with the MOVFF (ANY), PORTB instruction). This will end the mismatch condition.
- Wait one instruction cycle (such as executing a NOP instruction).
- Clear flag bit, RBIF.

A mismatch condition will continue to set flag bit, RBIF. Reading PORTB will end the mismatch condition and allow flag bit, RBIF, to be cleared after one  $T_{CY}$  delay.

The interrupt-on-change feature is recommended for wake-up on key depression operation and operations where PORTB is only used for the interrupt-on-change feature. Polling of PORTB is not recommended while using the interrupt-on-change feature.

The RB<3:2> pins are multiplexed as CTMU edge inputs. RB5 has an additional function for Timer3 and Timer1. It can be configured for the Timer3 clock input or Timer1 external clock gate input.

The RB<5:0> pins also are multiplexed with LCD segment drives that are controlled by bits in the registers, LCDSE1 and LCDSE3. I/O port functionality is only available when the LCD segments are disabled.



# PIC18F87K90 FAMILY

**TABLE 11-3: PORTB FUNCTIONS**

| Pin Name                               | Function | TRIS Setting | I/O | I/O Type | Description   |
|--|----------|--------------|-----|----------|---|
| RB0/INT0/SEG30/<br>FLT0                | RB0      | 0            | O   | DIG      | LATB<0> data output.  |
|  |          | 1            | I   | TTL      | PORTB<0> data input; weak pull-up when $\overline{\text{RBPU}}$ bit is cleared.   |
|  | INT0     | 1            | I   | ST       | External Interrupt 0 input.   |
|  | SEG30    | 1            | O   | ANA      | LCD Segment 30 output; disables all other pin functions.  |
|  | FLT0     | x            | I   | ST       | Enhanced PWM Fault input for ECCPx.   |
| RB1/INT1/SEG8                          | RB1      | 0            | O   | DIG      | LATB<1> data output.  |
|  |          | 1            | I   | TTL      | PORTB<1> data input; weak pull-up when $\overline{\text{RBPU}}$ bit is cleared.   |
|  | INT1     | 1            | I   | ST       | External Interrupt 1 input.   |
|  | SEG8     | 1            | O   | ANA      | LCD Segment 8 output; disables all other pin functions.   |
| RB2/INT2/SEG9/<br>CTED1                | RB2      | 0            | O   | DIG      | LATB<2> data output.  |
|  |          | 1            | I   | TTL      | PORTB<2> data input; weak pull-up when $\overline{\text{RBPU}}$ bit is cleared.   |
|  | INT2     | 1            | I   | ST       | External Interrupt 2 input.   |
|  | SEG9     | 1            | O   | ANA      | LCD Segment 9 output; disables all other pin functions.   |
|  | CTED1    | x            | I   | ST       | CTMU Edge 1 input.  |
| RB3/INT3/SEG10/<br>CTED2/ECCP2/<br>P2A | RB3      | 0            | O   | DIG      | LATB<3> data output.  |
|  |          | 1            | I   | TTL      | PORTB<3> data input; weak pull-up when $\overline{\text{RBPU}}$ bit is cleared.   |
|  | INT3     | 1            | I   | ST       | External Interrupt 3 input.   |
|  | SEG10    | 1            | O   | ANA      | LCD Segment 10 output; disables all other pin functions.  |
|  | CTED2    | x            | I   | ST       | CTMU Edge 2 input.  |
|  | ECCP2    | 0            | O   | DIG      | ECCP2 compare output and ECCP2 PWM output. Takes priority over port data.   |
|  |          | 1            | I   | ST       | ECCP2 capture input.  |
|  | P2A      | 0            | O   | DIG      | ECCP2 Enhanced PWM output, Channel A. May be configured for tri-state during Enhanced PWM shutdown events. Takes priority over port data. |
| RB4/KBI0/SEG11                         | RB4      | 0            | O   | DIG      | LATB<4> data output.  |
|  |          | 1            | I   | TTL      | PORTB<4> data input; weak pull-up when $\overline{\text{RBPU}}$ bit is cleared.   |
|  | KBI0     | 1            | I   | TTL      | Interrupt-on-pin change.  |
|  | SEG11    | 1            | O   | ANA      | LCD Segment 11 output; disables all other pin functions.  |
| RB5/KBI1/SEG29/<br>T3CKI/T1G           | RB5      | 0            | O   | DIG      | LATB<5> data output.  |
|  |          | 1            | I   | TTL      | PORTB<5> data input; weak pull-up when $\overline{\text{RBPU}}$ bit is cleared.   |
|  | KBI1     | 1            | I   | TTL      | Interrupt-on-pin change.  |
|  | SEG29    | 1            | O   | ANA      | LCD Segment 29 output; disables all other pin functions.  |
|  | T3CKI    | x            | I   | ST       | Timer3 clock input.   |
|  | T1G      | x            | I   | ST       | Timer1 external clock gate input.   |
| RB6/KBI2/PGC                           | RB6      | 0            | O   | DIG      | LATB<6> data output.  |
|  |          | 1            | I   | TTL      | PORTB<6> data input; weak pull-up when $\overline{\text{RBPU}}$ bit is cleared.   |
|  | KBI2     | 1            | I   | TTL      | Interrupt-on-pin change.  |
|  | PGC      | x            | I   | ST       | Serial execution (ICSP™) clock input for ICSP and ICD operations.   |
| RB7/KBI3/PGD                           | RB7      | 0            | O   | DIG      | LATB<7> data output.  |
|  |          | 1            | I   | TTL      | PORTB<7> data input; weak pull-up when $\overline{\text{RBPU}}$ bit is cleared.   |
|  | KBI3     | 1            | I   | TTL      | Interrupt-on-pin change.  |
|  | PGD      | x            | O   | DIG      | Serial execution data output for ICSP and ICD operations.   |
|  |          | x            | I   | ST       | Serial execution data input for ICSP and ICD operations.  |

**Legend:** O = Output, I = Input, ANA = Analog Signal, DIG = Digital Output, ST = Schmitt Trigger Buffer Input, TTL = TTL Buffer Input, x = Don't care (TRIS bit does not affect port direction or is overridden for this option).

# PIC18F87K90 FAMILY

**TABLE 11-4: SUMMARY OF REGISTERS ASSOCIATED WITH PORTB**

| Name    | Bit 7         | Bit 6     | Bit 5   | Bit 4   | Bit 3   | Bit 2  | Bit 1  | Bit 0  | Reset Values on Page: |
|---------|---------------|-----------|---------|---------|---------|--------|--------|--------|-----------------------|
| PORTB   | RB7           | RB6       | RB5     | RB4     | RB3     | RB2    | RB1    | RB0    | 78                    |
| LATB    | LATB7         | LATB6     | LATB5   | LATB4   | LATB3   | LATB2  | LATB1  | LATB0  | 78                    |
| TRISB   | TRISB7        | TRISB6    | TRISB5  | TRISB4  | TRISB3  | TRISB2 | TRISB1 | TRISB0 | 78                    |
| INTCON  | GIE/GIEH      | PEIE/GIEL | TMR0IE  | INT0IE  | RBIE    | TMR0IF | INT0IF | RBIF   | 75                    |
| INTCON2 | RBP $\bar{U}$ | INTEDG0   | INTEDG1 | INTEDG2 | INTEDG3 | TMR0IP | INT3IP | RBIP   | 75                    |
| INTCON3 | INT2IP        | INT1IP    | INT3IE  | INT2IE  | INT1IE  | INT3IF | INT2IF | INT1IF | 75                    |
| LCDSE1  | SE15          | SE14      | SE13    | SE12    | SE11    | SE10   | SE09   | SE08   | 83                    |
| LCDSE3  | SE31          | SE30      | SE29    | SE28    | SE27    | SE26   | SE25   | SE24   | 83                    |

**Legend:** Shaded cells are not used by PORTB.

## 11.4 PORTC, TRISC and LATC Registers

PORTC is an 8-bit wide, bidirectional port. The corresponding Data Direction and Output Latch registers are TRISC and LATC. Only PORTC pins, RC2 through RC7, are digital only pins.

PORTC is multiplexed with ECCP, MSSP and EUSART peripheral functions (Table 11-5). The pins have Schmitt Trigger input buffers. The pins for ECCP, SPI and EUSART are also configurable for open-drain output whenever these functions are active. Open-drain configuration is selected by setting the SSP1OD, CCPxOD and U1OD control bits in the registers, ODCON1 and ODCON3.

RC1 is normally configured as the default peripheral pin for the ECCP2 module. The assignment of ECCP2 is controlled by Configuration bit, CCP2MX (default state, CCP2MX = 1).

When enabling peripheral functions, use care in defining TRIS bits for each PORTC pin. Some peripherals can override the TRIS bit to make a pin an output or input. Consult the corresponding peripheral section for the correct TRIS bit settings.

**Note:** These pins are configured as digital inputs on any device Reset.

The contents of the TRISC register are affected by peripheral overrides. Reading TRISC always returns the current contents, even though a peripheral device may be overriding one or more of the pins.

The RC<7:1> pins are multiplexed with LCD segment drives that are controlled by bits in the registers: LCDSE1, LCDSE2, LCDSE3 and LCDSE4.

RC0 and RC1 pins serve as the input pins for the SOSC oscillator. On a power-up, these pins are defined as SOSC pins. In order to make these ports have digital I/O port functionality, the CONF1L<4:3> should be set to '10' (Digital SCLKI mode). I/O port functionality is only available when the LCD segments are disabled.

### EXAMPLE 11-3: INITIALIZING PORTC

```
CLRF    PORTC    ; Initialize PORTC by
                ; clearing output
                ; data latches
CLRF    LATC     ; Alternate method
                ; to clear output
                ; data latches
MOVLW   0CFh    ; Value used to
                ; initialize data
                ; direction
MOVWF   TRISC    ; Set RC<3:0> as inputs
                ; RC<5:4> as outputs
                ; RC<7:6> as inputs
```

# PIC18F87K90 FAMILY

**TABLE 11-5: PORTC FUNCTIONS**

| Pin Name                          | Function             | TRIS Setting | I/O | I/O Type         | Description   |
|-----------------------------------|----------------------|--------------|-----|------------------|---|
| RC0/SOSCO/<br>SCLKI/              | RC0                  | 0            | O   | DIG              | LATC<0> data output.  |
|                                   |                      | 1            | I   | ST               | PORTC<0> data input.  |
|                                   | SOSCO                | 1            | I   | ST               | SOSC oscillator output.   |
|                                   | SCLKI                | x            | O   | ANA              | Digital clock input; enabled when SOSC oscillator is disabled.  |
| RC1/SOSCI/<br>ECCP2/P2A/<br>SEG32 | RC1                  | 0            | O   | DIG              | LATC<1> data output.  |
|                                   |                      | 1            | I   | ST               | PORTC<1> data input.  |
|                                   | SOSCI                | x            | I   | ANA              | SOSC oscillator input.  |
|                                   | ECCP2 <sup>(1)</sup> | 0            | O   | DIG              | ECCP2 compare output and ECCP2 PWM output; takes priority over port data.   |
|                                   |                      | 1            | I   | ST               | ECCP2 capture input.  |
|                                   | P2A                  | 0            | O   | DIG              | ECCP2 Enhanced PWM output, Channel A. May be configured for tri-state during Enhanced PWM shutdown events; takes priority over port data. |
|                                   | SEG32                | 1            | O   | ANA              | LCD Segment 32 output; disables all other pin functions.  |
| RC2/ECCP1/<br>P1A/SEG13           | RC2                  | 0            | O   | DIG              | LATC<2> data output.  |
|                                   |                      | 1            | I   | ST               | PORTC<2> data input.  |
|                                   | ECCP1                | 0            | O   | DIG              | ECCP1 compare output and ECCP1 PWM output; takes priority over port data.   |
|                                   |                      | 1            | I   | ST               | ECCP1 capture input.  |
|                                   | P1A                  | 0            | O   | DIG              | ECCP1 Enhanced PWM output, Channel A. May be configured for tri-state during Enhanced PWM shutdown events; takes priority over port data. |
|                                   | SEG13                | 1            | O   | ANA              | LCD Segment 13 output; disables all other pin functions.  |
| RC3/SCK1/<br>SCL1/SEG17           | RC3                  | 0            | O   | DIG              | LATC<3> data output.  |
|                                   |                      | 1            | I   | ST               | PORTC<3> data input.  |
|                                   | SCK1                 | 0            | O   | DIG              | SPI clock output (MSSP module); takes priority over port data.  |
|                                   |                      | 1            | I   | ST               | SPI clock input (MSSP module).  |
|                                   | SCL1                 | 0            | O   | DIG              | I <sup>2</sup> C™ clock output (MSSP module); takes priority over port data.  |
|                                   |                      | 1            | I   | I <sup>2</sup> C | I <sup>2</sup> C clock input (MSSP module); input type depends on module setting.   |
|                                   | SEG17                | 1            | O   | ANA              | LCD Segment 17 output; disables all other pin functions.  |
| RC4/SDI1/<br>SDA1/SEG16           | RC4                  | 0            | O   | DIG              | LATC<4> data output.  |
|                                   |                      | 1            | I   | ST               | PORTC<4> data input.  |
|                                   | SDI1                 |              | I   | ST               | SPI data input (MSSP module).   |
|                                   | SDA1                 | 1            | O   | DIG              | I <sup>2</sup> C data output (MSSP module); takes priority over port data.  |
|                                   |                      | 1            | I   | I <sup>2</sup> C | I <sup>2</sup> C data input (MSSP module); input type depends on module setting.  |
|                                   | SEG16                | 1            | O   | ANA              | LCD Segment 16 output; disables all other pin functions.  |
| RC5/SDO1/<br>SEG12                | RC5                  | 0            | O   | DIG              | LATC<5> data output.  |
|                                   |                      | 1            | I   | ST               | PORTC<5> data input.  |
|                                   | SDO1                 | 0            | O   | DIG              | SPI data output (MSSP module).  |
|                                   | SEG12                | 1            | O   | ANA              | LCD Segment 12 output; disables all other pin functions.  |
| RC6/TX1/CK1/<br>SEG27             | RC6                  | 0            | O   | DIG              | LATC<6> data output.  |
|                                   |                      | 1            | I   | ST               | PORTC<6> data input.  |
|                                   | TX1                  | 1            | O   | DIG              | Synchronous serial data output (EUSART module); takes priority over port data.  |
|                                   | CK1                  | 1            | O   | DIG              | Synchronous serial data input (EUSART module); user must configure as an input.   |
|                                   |                      | 1            | I   | ST               | Synchronous serial clock input (EUSART module).   |
|                                   | SEG27                | 1            | O   | ANA              | LCD Segment 27 output; disables all other pin functions.  |

**Legend:** O = Output, I = Input, ANA = Analog Signal, DIG = Digital Output, ST = Schmitt Trigger Buffer Input, TTL = TTL Buffer Input, I<sup>2</sup>C = I<sup>2</sup>C Buffer Input, x = Don't care (TRIS bit does not affect port direction or is overridden for this option).

**Note 1:** Default assignment for ECCP2 when the CCP2MX Configuration bit is set.

# PIC18F87K90 FAMILY

**TABLE 11-5: PORTC FUNCTIONS (CONTINUED)**

| Pin Name              | Function | TRIS Setting | I/O | I/O Type   | Description   |
|-----------------------|----------|--------------|-----|--|---|
| RC7/RX1/DT1/<br>SEG28 | RC7      | 0            | O   | DIG  | LATC<7> data output.  |
|                       |          | 1            | I   | ST   | PORTC<7> data input.  |
|                       | RX1      | 1            | I   | ST   | Asynchronous serial receive data input (EUSART module).                         |
|                       | DT1      | 1            | O   | DIG  | Synchronous serial data output (EUSART module); takes priority over port data.  |
|                       |          | 1            | I   | ST   | Synchronous serial data input (EUSART module); user must configure as an input. |
| SEG28                 | 1        | O            | ANA | LCD Segment 28 output; disables all other pin functions. |   |

**Legend:** O = Output, I = Input, ANA = Analog Signal, DIG = Digital Output, ST = Schmitt Trigger Buffer Input, TTL = TTL Buffer Input, I<sup>2</sup>C = I<sup>2</sup>C Buffer Input, x = Don't care (TRIS bit does not affect port direction or is overridden for this option).

**Note 1:** Default assignment for ECCP2 when the CCP2MX Configuration bit is set.

**TABLE 11-6: SUMMARY OF REGISTERS ASSOCIATED WITH PORTC**

| Name   | Bit 7               | Bit 6               | Bit 5               | Bit 4               | Bit 3               | Bit 2               | Bit 1               | Bit 0  | Reset Values on Page: |
|--------|---------------------|---------------------|---------------------|---------------------|---------------------|---------------------|---------------------|--------|-----------------------|
| PORTC  | RC7                 | RC6                 | RC5                 | RC4                 | RC3                 | RC2                 | RC1                 | RC0    | 78                    |
| LATC   | LATC7               | LATBC6              | LATC5               | LATCB4              | LATC3               | LATC2               | LATC1               | LATC0  | 78                    |
| TRISC  | TRISC7              | TRISC6              | TRISC5              | TRISC4              | TRISC3              | TRISC2              | TRISC1              | TRISC0 | 78                    |
| LCDSE1 | SE15                | SE14                | SE13                | SE12                | SE11                | SE10                | SE09                | SE08   | 83                    |
| LCDSE2 | SE23                | SE22                | SE21                | SE20                | SE19                | SE18                | SE17                | SE16   | 83                    |
| LCDSE3 | SE31                | SE30                | SE29                | SE28                | SE27                | SE26                | SE25                | SE24   | 83                    |
| LCDSE4 | SE39 <sup>(1)</sup> | SE38 <sup>(1)</sup> | SE37 <sup>(1)</sup> | SE36 <sup>(1)</sup> | SE35 <sup>(1)</sup> | SE34 <sup>(1)</sup> | SE33 <sup>(1)</sup> | SE32   | 83                    |
| ODCON1 | SSP1OD              | CCP2OD              | CCP1OD              | —                   | —                   | —                   | —                   | SSP2OD | 81                    |

**Legend:** Shaded cells are not used by PORTC.

**Note 1:** This bit is unimplemented in PIC18F6XK90 devices, read as '0'.

# PIC18F87K90 FAMILY

---

## 11.5 PORTD, TRISD and LATD Registers

PORTD is an 8-bit wide, bidirectional port. The corresponding Data Direction and Output Latch registers are TRISD and LATD.

All pins on PORTD are implemented with Schmitt Trigger input buffers. Each pin is individually configurable as an input or output.

**Note:** These pins are configured as digital inputs on any device Reset.

Each of the PORTD pins has a weak internal pull-up. A single control bit can turn off all the pull-ups. This is performed by clearing bit, RDPU (PADCFG1<7>). The weak pull-up is automatically turned off when the port pin is configured as an output. The pull-ups are disabled on all device Resets.

All of the PORTD pins are multiplexed with LCD segment drives that are controlled by bits in the LCDSE0 register. RD0 is multiplexed with the CTMU pulse generator output.

I/O port functionality is only available when the LCD segments are disabled.

The PORTD also has the I<sup>2</sup>C and SPI functionality on RD4, RD5 and RD6. The pins for SPI are also configurable for open-drain output. Open-drain configuration is selected by setting the SSPxOD control bits in the ODCON1 register.

RD0 has a CTMU functionality. RD1 has the functionality for a Timer5 clock input and also Timer7 has functionality for an external clock gate input.

### EXAMPLE 11-4: INITIALIZING PORTD

```
CLRF   PORTD   ; Initialize PORTD by
              ; clearing output
              ; data latches
CLRF   LATD    ; Alternate method
              ; to clear output
              ; data latches
MOVLW  0CFh   ; Value used to
              ; initialize data
              ; direction
MOVWF  TRISD   ; Set RD<3:0> as inputs
              ; RD<5:4> as outputs
              ; RD<7:6> as inputs
```

# PIC18F87K90 FAMILY

**TABLE 11-7: PORTD FUNCTIONS**

| Pin Name               | Function | TRIS Setting | I/O              | I/O Type  | Description   |
|------------------------|----------|--------------|------------------|---|---|
| RD0/SEG0/<br>CTPLS     | RD0      | 0            | O                | DIG   | LATD<0> data output.  |
|                        |          | 1            | I                | ST  | PORTD<0> data input.  |
|                        | SEG0     | 1            | O                | ANA   | LCD Segment 0 output; disables all other pin functions.                           |
|                        | CTPLS    | x            | O                | DIG   | CTMU pulse generator output.  |
| RD1/SEG1/<br>T5CKI/T7G | RD1      | 0            | O                | DIG   | LATD<1> data output.  |
|                        |          | 1            | I                | ST  | PORTD<1> data input.  |
|                        | SEG1     | 1            | O                | ANA   | LCD Segment 1 output; disables all other pin functions.                           |
|                        | T5CKI    | x            | I                | ST  | Timer5 clock input.   |
|                        | T7G      | x            | I                | ST  | Timer7 external clock gate input.   |
| RD2/SEG2               | RD2      | 0            | O                | DIG   | LATD<2> data output.  |
|                        |          | 1            | I                | ST  | PORTD<2> data input.  |
|                        | SEG2     | 1            | O                | ANA   | LCD Segment 2 output; disables all other pin functions.                           |
| RD3/SEG3               | RD3      | 0            | O                | DIG   | LATD<3> data output.  |
|                        |          | 1            | I                | ST  | PORTD<3> data input.  |
|                        | SEG3     | 1            | O                | ANA   | LCD Segment 3 output; disables all other pin functions.                           |
| RD4/SEG4/<br>SDO2      | RD4      | 0            | O                | DIG   | LATD<4> data output.  |
|                        |          | 1            | I                | ST  | PORTD<4> data input.  |
|                        | SEG4     | 1            | O                | ANA   | LCD Segment 4 output; disables all other pin functions.                           |
|                        | SDO2     | 0            | P                | DOG   | SPI data output (MSSP module).  |
| RD5/SEG5/<br>SDI2/SDA2 | RD5      | 0            | O                | DIG   | LATD<5> data output.  |
|                        |          | 1            | I                | ST  | PORTD<5> data input.  |
|                        | SEG5     | 1            | O                | ANA   | LCD Segment 5 output; disables all other pin functions.                           |
|                        | SDI2     | 1            | I                | ST  | SPI data input (MSSP module).   |
|                        | SDA2     | 0            | O                | I <sup>2</sup> C  | I <sup>2</sup> C™ data input (MSSP module). Input type depends on module setting. |
| 1                      |          | I            | ANA              | LCD Segment 5 output; disables all other pin functions.                           |   |
| RD6/SEG6/<br>SCK2/SCL2 | RD6      | 0            | O                | DIG   | LATD<6> data output.  |
|                        |          | 1            | I                | ST  | PORTD<6> data input.  |
|                        | SEG6     | 1            | O                | ANA   | LCD Segment 6 output; disables all other pin functions.                           |
|                        |          | 0            | O                | DIG   | SPI clock output (MSSP module); takes priority over port data.                    |
|                        | SCK2     | 1            | I                | ST  | SPI clock input (MSSP module).  |
|                        |          | 0            | O                | DIG   | I <sup>2</sup> C clock output (MSSP module); takes priority over port data.       |
| SCL2                   | 1        | I            | I <sup>2</sup> C | I <sup>2</sup> C clock input (MSSP module). Input type depends on module setting. |   |
|                        | 0        | O            | DIG              | I <sup>2</sup> C clock output (MSSP module); takes priority over port data.       |   |
| RD7/SEG7/<br>SS2       | RD7      | 0            | O                | DIG   | LATD<7> data output.  |
|                        |          | 1            | I                | ST  | PORTD<7> data input.  |
|                        | SEG7     | 1            | I                | ANA   | LCD Segment 7 output; disables all other pin functions.                           |
|                        | SS2      | 1            | I                | TTL   | Slave select input for MSSP module.   |

**Legend:** O = Output, I = Input, ANA = Analog Signal, DIG = Digital Output, ST = Schmitt Trigger Buffer Input, I<sup>2</sup>C = I<sup>2</sup>C Buffer Input, x = Don't care (TRIS bit does not affect port direction or is overridden for this option).

# PIC18F87K90 FAMILY

---

**TABLE 11-8: SUMMARY OF REGISTERS ASSOCIATED WITH PORTD**

| Name    | Bit 7  | Bit 6  | Bit 5               | Bit 4  | Bit 3  | Bit 2     | Bit 1     | Bit 0  | Reset Values on Page: |
|---------|--------|--------|---------------------|--------|--------|-----------|-----------|--------|-----------------------|
| PORTD   | RD7    | RD6    | RD5                 | RD4    | RD3    | RD2       | RD1       | RD0    | 78                    |
| LATD    | LATD7  | LATD6  | LATD5               | LATD4  | LATD3  | LATD2     | LATD1     | LATD0  | 78                    |
| TRISD   | TRISD7 | TRISD6 | TRISD5              | TRISD4 | TRISD3 | TRISD2    | TRISD1    | TRISD0 | 78                    |
| LCDSE0  | SE07   | SE06   | SE05                | SE04   | SE03   | SE02      | SE01      | SE00   | 83                    |
| PADCFG1 | RDPU   | REPU   | RJPU <sup>(1)</sup> | —      | —      | RTSECSEL1 | RTSECSEL0 | —      | 80                    |

**Legend:** Shaded cells are not used by PORTD.

**Note 1:** This bit is not available in 64-pin devices.



## 11.6 PORTE, TRISE and LATE Registers

PORTE is an 8-bit wide, bidirectional port. The corresponding Data Direction and Output Latch registers are TRISE and LATE.

All pins on PORTE are implemented with Schmitt Trigger input buffers. Each pin is individually configurable as an input or output. The RE7 pin is also configurable for open-drain output when ECCP2 is active on this pin. Open-drain configuration is selected by setting the CCP2OD control bit (ODCON1<6>)

**Note:** These pins are configured as digital inputs on any device Reset.

Each of the PORTE pins has a weak internal pull-up. A single control bit can turn off all the pull-ups. This is performed by clearing bit, REPU (PADCFG1<6>). The weak pull-up is automatically turned off when the port pin is configured as an output. The pull-ups are disabled on any device Reset.

Pins, RE<6:3>, are multiplexed with the LCD common drives. I/O port functions are available only on those PORTE pins according to which commons are active. The configuration is determined by the LMUX<1:0> control bits (LCDCON<1:0>). The availability is summarized in [Table 11-9](#).

**TABLE 11-9: PORTE PINS AVAILABLE IN DIFFERENT LCD DRIVE CONFIGURATIONS<sup>(1)</sup>**

| LCDCON<br><1:0> | Active LCD<br>Commons      | PORTE Pins<br>Available for I/O |
|-----------------|----------------------------|---------------------------------|
| 00              | COM0                       | RE6, RE5, RE4                   |
| 01              | COM0, COM1                 | RE6, RE5                        |
| 10              | COM0, COM1<br>and COM2     | RE6                             |
| 11              | All (COM0<br>through COM3) | None                            |

**Note 1:** If the LCD bias voltages are generated using the internal resistor ladder, the LCDBIASx pins are also available as I/O ports (RE0, RE1 and RE2).

Pins, RE2, RE1 and RE0, are multiplexed with the functions of LCDBIAS3, LCDBIAS2 and LCDBIAS1. When LCD bias generation is required (in any application where the device is connected to an external LCD), these pins cannot be used as digital I/O. These pins can be used as digital I/O, however, when the internal resistor ladder is used for bias generation.

PORTE is also multiplexed with the Enhanced PWM Outputs B and C for ECCP1 and ECCP3, and Outputs B, C and D for ECCP2. For all devices, their default assignments are on PORTE<6:0>. On 80-pin devices, the multiplexing for the outputs of ECCP1 and ECCP3 is controlled by the ECCPMX Configuration bit. Clearing this bit reassigns the P1B/P1C and P3B/P3C outputs to PORTH.

RE7 is multiplexed with the LCD segment drive (SEG31) that is controlled by the LCDSE3<7> bit. I/O port function is only available when the segment is disabled. RE7 can also be configured as the alternate peripheral pin for the ECCP2 module. This is done by clearing the CCP2MX Configuration bit.

RE3 can also be configured as the Reference Clock Output (REFO) from the system clock. For further details, refer to [Section 3.7 “Reference Clock Output”](#).

### EXAMPLE 11-5: INITIALIZING PORTE

```

CLRf    PORTE    ; Initialize PORTE by
                ; clearing output
                ; data latches
CLRf    LATE     ; Alternate method
                ; to clear output
                ; data latches
MOVLW   03h     ; Value used to
                ; initialize data
                ; direction
MOVWF   TRISE   ; Set RE<1:0> as inputs
                ; RE<7:2> as outputs
    
```

# PIC18F87K90 FAMILY

**TABLE 11-10: PORTE FUNCTIONS**

| Pin Name                       | Function            | TRIS Setting | I/O | I/O Type                | Description  |
|--------------------------------|---------------------|--------------|-----|-------------------------|--|
| RE0/LCDBIAS1/<br>P2D           | RE0                 | 0            | O   | DIG                     | LATE<0> data output.   |
|                                |                     | 1            | I   | ST                      | PORTE<0> data input.   |
|                                | LCDBIAS1            | —            | I   | ANA                     | LCD module bias voltage input.   |
|                                | P2D                 | 0            | O   | —                       | ECCP2 PWM Output D. May be configured for tri-state during Enhanced PWM shutdown events. |
| RE1/LCDBIAS2/<br>P2C           | RE1                 | 0            | O   | DIG                     | LATE<1> data output.   |
|                                |                     | 1            | I   | ST                      | PORTE<1> data input.   |
|                                | LCDBIAS2            | —            | I   | ANA                     | LCD module bias voltage input.   |
|                                | P2C                 | 0            | O   | —                       | ECCP2 PWM Output C. May be configured for tri-state during Enhanced PWM shutdown events. |
| RE2/LCDBIAS3/<br>P2B           | RE2                 | 0            | O   | DIG                     | LATE<2> data output.   |
|                                |                     | 1            | I   | ST                      | PORTE<2> data input.   |
|                                | LCDBIAS3            | x            | I   | ANA                     | LCD module bias voltage input.   |
|                                | P2B                 | 0            | O   | —                       | ECCP2 PWM Output B. May be configured for tri-state during Enhanced PWM shutdown events. |
| RE3/COM0/<br>P3C/CCP9/<br>REFO | RE3                 | 0            | O   | DIG                     | LATE<3> data output.   |
|                                |                     | 1            | I   | ST                      | PORTE<3> data input.   |
|                                | COM0                | x            | O   | ANA                     | LCD Common 0 output; disables all other outputs.   |
|                                | P3C                 | 0            | O   | —                       | ECCP3 PWM Output C. May be configured for tri-state during Enhanced PWM shutdown events. |
|                                | CCP9 <sup>(2)</sup> | 0            | O   | DIG                     | CCP9 compare/PWM output; takes priority over port data.                                  |
|                                |                     | 1            | I   | ST                      | CCP9 capture input.  |
| REFO                           | x                   | O            | DIG | Reference output clock. |  |
| RE4/COM1/<br>P3B/CCP8          | RE4                 | 0            | O   | DIG                     | LATE<4> data output.   |
|                                |                     | 1            | I   | ST                      | PORTE<4> data input.   |
|                                | COM1                | x            | O   | ANA                     | LCD Common 1 output; disables all other outputs.   |
|                                | P3B                 | 0            | O   | —                       | ECCP3 PWM Output B. May be configured for tri-state during Enhanced PWM shutdown events. |
|                                | CCP8                | 0            | O   | DIG                     | CCP8 Compare/PWM output; takes priority over port data.                                  |
|                                |                     | 1            | I   | ST                      | CCP8 capture input.  |
| RE5/COM2/<br>P1C/CCP7          | RE5                 | 0            | O   | DIG                     | LATE<5> data output.   |
|                                |                     | 1            | I   | ST                      | PORTE<5> data input.   |
|                                | COM2                | x            | O   | ANA                     | LCD Common 2 output; disables all other outputs.   |
|                                | P1C                 | 0            | O   | —                       | ECCP1 PWM Output C. May be configured for tri-state during Enhanced PWM shutdown events. |
|                                | CCP7                | 0            | O   | DIG                     | CCP7 Compare/PWM output; takes priority over port data.                                  |
|                                |                     | 1            | I   | ST                      | CCP7 capture input.  |
| RE6/COM3/<br>P1B/CCP6          | RE6                 | 0            | O   | DIG                     | LATE<6> data output.   |
|                                |                     | 1            | I   | ST                      | PORTE<6> data input.   |
|                                | COM3                | x            | O   | ANA                     | LCD Common 3 output; disables all other outputs.   |
|                                | P1B                 | 0            | O   | —                       | ECCP1 PWM Output B. May be configured for tri-state during Enhanced PWM shutdown events. |
|                                | CCP6                | 0            | O   | DIG                     | CCP6 Compare/PWM output; takes priority over port data.                                  |
|                                |                     | 1            | I   | ST                      | CCP6 capture input.  |

**Legend:** O = Output, I = Input, ANA = Analog Signal, DIG = Digital Output, ST = Schmitt Trigger Buffer Input, x = Don't care (TRIS bit does not affect port direction or is overridden for this option).

**Note 1:** Alternate assignment for ECCP2 when the CCP2MX Configuration bit is cleared.

**2:** This bit is unimplemented in PIC18FX5K90 devices.

# PIC18F87K90 FAMILY

**TABLE 11-10: PORTE FUNCTIONS (CONTINUED)**

| Pin Name                | Function             | TRIS Setting | I/O | I/O Type | Description   |
|-------------------------|----------------------|--------------|-----|----------|---|
| RE7/ECCP2/<br>P2A/SEG31 | RE7                  | 0            | O   | DIG      | LATE<7> data output.  |
|                         |                      | 1            | I   | ST       | PORTE<7> data input.  |
|                         | ECCP2 <sup>(1)</sup> | 0            | O   | DIG      | ECCP2 compare/PWM output; takes priority over port data.                                |
|                         |                      | 1            | I   | ST       | ECCP2 capture input.  |
|                         | P2A                  | 0            | O   | —        | ECCP2 PWM Output A. May be configured for tri-state during Enhanced PWM shutdown event. |
|                         | SEG31                | 1            | O   | ANA      | Segment 31 analog output for LCD; disables digital output.                              |

**Legend:** O = Output, I = Input, ANA = Analog Signal, DIG = Digital Output, ST = Schmitt Trigger Buffer Input, x = Don't care (TRIS bit does not affect port direction or is overridden for this option).

**Note 1:** Alternate assignment for ECCP2 when the CCP2MX Configuration bit is cleared.

**2:** This bit is unimplemented in PIC18FX5K90 devices.

**TABLE 11-11: SUMMARY OF REGISTERS ASSOCIATED WITH PORTE**

| Name    | Bit 7                  | Bit 6                 | Bit 5               | Bit 4  | Bit 3  | Bit 2     | Bit 1     | Bit 0  | Reset Values on Page: |
|---------|------------------------|-----------------------|---------------------|--------|--------|-----------|-----------|--------|-----------------------|
| PORTE   | RE7                    | RE6                   | RE5                 | RE4    | RE3    | RE2       | RE1       | RE0    | 78                    |
| LATE    | LATE7                  | LATE6                 | LATE5               | LATE4  | LATE3  | LATE2     | LATE1     | LATE0  | 78                    |
| TRISE   | TRISE7                 | TRISE6                | TRISE5              | TRISE4 | TRISE3 | TRISE2    | TRISE1    | TRISE0 | 78                    |
| LCDCON  | LCDEN                  | SLPEN                 | WERR                | —      | CS1    | CS0       | LMUX1     | LMUX0  | 83                    |
| LCDSE3  | SE31                   | SE30                  | SE29                | SE28   | SE27   | SE26      | SE25      | SE24   | 83                    |
| ODCON1  | SSP1OD                 | CCP2OD                | CCP1OD              | —      | —      | —         | —         | SSP2OD | 81                    |
| ODCON2  | CCP10OD <sup>(2)</sup> | CCP9OD <sup>(2)</sup> | CCP8OD              | CCP7OD | CCP6OD | CCP5OD    | CCP4OD    | CCP3OD | 81                    |
| PADCFG1 | RDPU                   | REPU                  | RJPU <sup>(1)</sup> | —      | —      | RTSECSEL1 | RTSECSEL0 | —      | 80                    |

**Legend:** Shaded cells are not used by PORTE.

**Note 1:** This bit is not available in 64-pin devices.

**2:** Unimplemented in devices with a program memory of 32 Kbytes (PIC18FX5K90).

# PIC18F87K90 FAMILY

## 11.7 PORTF, LATF and TRISF Registers

PORTF is a 7-bit wide, bidirectional port. The corresponding Data Direction and Output Latch registers are TRISF and LATF. All pins on PORTF are implemented with Schmitt Trigger input buffers. Each pin is individually configurable as an input or output.

PORTF is multiplexed with analog peripheral functions, as well as LCD segments. Pins, RF1 through RF6, may be used as comparator inputs or outputs by setting the appropriate bits in the CMCON register. To use RF<7:1> as digital inputs, it is also necessary to turn off the comparators.

**Note 1:** On device Resets, pins, RF<7:1>, are configured as analog inputs and are read as '0'.

**2:** To configure PORTF as a digital I/O, turn off the comparators and clear ANCON1 and ANCON2 to digital.

PORTF is also multiplexed with LCD segment drives controlled by bits in the LCDSE2 and LCDSE3 registers. I/O port functions are only available when the segments are disabled.

### EXAMPLE 11-6: INITIALIZING PORTF

```
CLRF    PORTF    ; Initialize PORTF by
              ; clearing output
              ; data latches
CLRF    LATF     ; Alternate method
              ; to clear output
              ; data latches

BANKSEL ANCON1
MOVLW  01Fh    ; Make AN6, AN7 and AN5 digital
MOVWF  ANCON1  ;
MOVLW  0F0h    ; Make AN8, AN9, AN10 and AN11
              ; digital
MOVWF  ANCON2  ; Set PORTF as digital I/O
MOVLW  0CEh    ; Value used to
              ; initialize data
              ; direction
MOVWF  TRISF   ; Set RF3:RF1 as inputs
              ; RF5:RF4 as outputs
              ; RF7:RF6 as inputs
```

# PIC18F87K90 FAMILY

**TABLE 11-12: PORTF FUNCTIONS**

| Pin Name                       | Function | TRIS Setting | I/O | I/O Type | Description  |
|--------------------------------|----------|--------------|-----|----------|--|
| RF1/AN6/C2OUT/<br>SEG19/CTDIN  | RF1      | 0            | O   | DIG      | LATF<1> data output; not affected by analog input.   |
|                                |          | 1            | I   | ST       | PORTF<1> data input; disabled when analog input is enabled.  |
|                                | AN6      | 1            | I   | ANA      | A/D Input Channel 6; default configuration on POR.   |
|                                | C2OUT    | 0            | O   | DIG      | Comparator 2 output; takes priority over port data.  |
|                                | SEG19    | 1            | O   | ANA      | LCD Segment 19 output; disables all other pin functions.   |
|                                | CTDIN    | 1            | I   | ST       | CTMU pulse delay input.  |
| RF2/AN7/C1OUT/<br>SEG20        | RF2      | 0            | O   | DIG      | LATF<2> data output; not affected by analog input.   |
|                                |          | 1            | I   | ST       | PORTF<2> data input; disabled when analog input is enabled.  |
|                                | AN7      | 1            | I   | ANA      | A/D Input Channel 7; default configuration on POR.   |
|                                | C1OUT    | 0            | O   | DIG      | Comparator 1 output; takes priority over port data.  |
|                                | SEG20    | 1            | O   | ANA      | LCD Segment 20 output; disables all other pin functions.   |
| RF3/AN8/SEG21/<br>C2INB/CTMUI  | RF3      | 0            | O   | DIG      | LATF<3> data output; not affected by analog input.   |
|                                |          | 1            | I   | ST       | PORTF<3> data input; disabled when analog input is enabled.  |
|                                | AN8      | 1            | I   | ANA      | A/D Input Channel 8 and Comparator C2+ input. Default input configuration on POR; not affected by analog output.   |
|                                | SEG21    | 1            | O   | ANA      | LCD Segment 21 output; disables all other pin functions.   |
|                                | C2INB    | 1            | I   | ANA      | Comparator 2 Input B.  |
|                                | CTMUI    | x            | O   | —        | CTMU pulse generator charger for the C2INB comparator input.   |
| RF4/AN9/SEG22/<br>C2INA        | RF4      | 0            | O   | DIG      | LATF<4> data output; not affected by analog input.   |
|                                |          | 1            | I   | ST       | PORTF<4> data input; disabled when analog input is enabled.  |
|                                | AN9      | 1            | I   | ANA      | A/D Input Channel 9 and Comparator C2- input. Default input configuration on POR; does not affect digital output.  |
|                                | SEG22    | 1            | O   | ANA      | LCD Segment 22 output; disables all other pin functions.   |
|                                | C2INA    | 1            | I   | ANA      | Comparator 2 Input A.  |
| RF5/AN10/CVREF/<br>SEG23/C1INB | RF5      | 0            | O   | DIG      | LATF<5> data output; not affected by analog input. Disabled when CVREF output is enabled.                          |
|                                |          | 1            | I   | ST       | PORTF<5> data input; disabled when analog input is enabled. Disabled when CVREF output is enabled.                 |
|                                | AN10     | 1            | I   | ANA      | A/D Input Channel 10 and Comparator C1+ input; default input configuration on POR.                                 |
|                                | CVREF    | x            | O   | ANA      | Comparator voltage reference output. Enabling this feature disables digital I/O.                                   |
|                                | SEG23    | 1            | O   | ANA      | LCD Segment 23 output; disables all other pin functions.   |
|                                | C1INB    | 1            | I   | ANA      | Comparator 1 Input B.  |
| RF6/AN11/SEG24/<br>C1INA       | RF6      | 0            | O   | DIG      | LATF<6> data output; not affected by analog input.   |
|                                |          | 1            | I   | ST       | PORTF<6> data input; disabled when analog input is enabled.  |
|                                | AN11     | 1            | I   | ANA      | A/D Input Channel 11 and Comparator C1- input. Default input configuration on POR; does not affect digital output. |
|                                | SEG24    | 1            | O   | ANA      | LCD Segment 24 output; disables all other pin functions.   |
|                                | C1INA    | 1            | I   | ANA      | Comparator 1 Input A.  |
| RF7/AN5/SS1/<br>SEG25          | RF7      | 0            | O   | DIG      | LATF<7> data output; not affected by analog input.   |
|                                |          | 1            | I   | ST       | PORTF<7> data input; disabled when analog input is enabled.  |
|                                | AN5      | 1            | I   | ANA      | A/D Input Channel 5. Default configuration on POR.   |
|                                | SS1      | 1            | I   | TTL      | Slave select input for MSSP module.  |
|                                | SEG25    | 1            | O   | ANA      | LCD Segment 25 output; disables all other pin functions.   |

**Legend:** O = Output, I = Input, ANA = Analog Signal, DIG = Digital Output, ST = Schmitt Trigger Buffer Input, TTL = TTL Buffer Input, x = Don't care (TRIS bit does not affect port direction or is overridden for this option).

# PIC18F87K90 FAMILY

**TABLE 11-13: SUMMARY OF REGISTERS ASSOCIATED WITH PORTF**

| Name   | Bit 7   | Bit 6   | Bit 5   | Bit 4   | Bit 3   | Bit 2   | Bit 1  | Bit 0  | Reset Values on Page: |
|--------|---------|---------|---------|---------|---------|---------|--------|--------|-----------------------|
| PORTF  | RF7     | RF6     | RF5     | RF4     | RF3     | RF2     | RF1    | —      | 78                    |
| LATF   | LATF7   | LATF6   | LATF5   | LATF4   | LATF3   | LATF2   | LATF1  | —      | 78                    |
| TRISF  | TRISF7  | TRISF6  | TRISF5  | TRISF4  | TRISF3  | TRISF2  | TRISF1 | —      | 78                    |
| ANCON0 | ANSEL7  | ANSEL6  | ANSEL5  | ANSEL4  | ANSEL3  | ANSEL2  | ANSEL1 | ANSEL0 | 81                    |
| ANCON1 | ANSEL15 | ANSEL14 | ANSEL13 | ANSEL12 | ANSEL11 | ANSEL10 | ANSEL9 | ANSEL8 | 81                    |
| CMSTAT | CMP3OUT | CMP2OUT | CMP1OUT | —       | —       | —       | —      | —      | 77                    |
| CVRCON | CVREN   | CVROE   | CVRR    | CVRSS   | CVR3    | CVR2    | CVR1   | CVR0   | 77                    |
| LCDSE2 | SE23    | SE22    | SE21    | SE20    | SE19    | SE18    | SE17   | SE16   | 83                    |
| LCDSE3 | SE31    | SE30    | SE29    | SE28    | SE27    | SE26    | SE25   | SE24   | 83                    |

**Legend:** — = unimplemented, read as '0'. Shaded cells are not used by PORTF.

# PIC18F87K90 FAMILY

## 11.8 PORTG, TRISG and LATG Registers

PORTG is a 5-bit wide, bidirectional port. The corresponding Data Direction and Output Latch registers are TRISG and LATG.

PORTG is multiplexed with EUSART, LCD and CCP/ECCP/Analog/Comparator/RTCC/Timer input functions (Table 11-14). When operating as I/O, all PORTG pins have Schmitt Trigger input buffers. The open-drain functionality for the CCPx and UART can be configured using ODCONx.

RG4 is multiplexed with LCD segment drives controlled by bits in the LCDSE2 register and as the RG4/SEG26/RTCC/T7CKI/T5G/CCP5/AN16/P1D/C3INC pin. The I/O port function is only available when the segments are disabled.

The RG5 pin is multiplexed with the  $\overline{\text{MCLR}}$  pin and is available only as an input port. To configure this port for input only, set the MCLRE pin (CONFIG3H<7>).

When enabling peripheral functions, care should be taken in defining TRIS bits for each PORTG pin. Some peripherals override the TRIS bit to make a pin an output, while other peripherals override the TRIS bit to make a pin an input. The user should refer to the corresponding peripheral section for the correct TRIS bit settings. The pin override value is not loaded into the TRIS register. This allows read-modify-write of the TRIS register without concern due to peripheral overrides.

### EXAMPLE 11-7: INITIALIZING PORTG

```

CLRF    PORTG           ; Initialize PORTG by
                        ; clearing output
                        ; data latches
BCF     CM1CON, CON     ; disable
                        ; comparator 1
CLRF    LATG           ; Alternate method
                        ; to clear output
                        ; data latches

BANKSEL ANCON2
MOVLW  0F0h            ; make AN16 to AN19
                        ; digital

MOVWF  ANCON2
MOVLW  04h            ; Value used to
                        ; initialize data
                        ; direction

MOVWF  TRISG          ; Set RG1:RG0 as
                        ; outputs
                        ; RG2 as input
                        ; RG4:RG3 as inputs
    
```

TABLE 11-14: PORTG FUNCTIONS

| Pin Name                   | Function | TRIS Setting | I/O | I/O Type  | Description   |
|----------------------------|----------|--------------|-----|---|---|
| RG0/ECCP3/<br>P3A          | RG0      | 0            | O   | DIG   | LATG<0> data output.  |
|                            |          | 1            | I   | ST  | PORTG<0> data input.  |
|                            | ECCP3    | 0            | O   | DIG   | ECCP3 compare output and ECCP3 PWM output; takes priority over port data.       |
|                            |          | 1            | I   | ST  | ECCP3 capture input.  |
| P3A                        | 0        | O            | —   | ECCP3 PWM Output A. May be configured for tri-state during Enhanced PWM shutdown events.  |   |
| RG1/TX2/CK2/<br>AN19/C3OUT | RG1      | 0            | O   | DIG   | LATG<1> data output.  |
|                            |          | 1            | I   | ST  | PORTG<1> data input.  |
|                            | TX2      | 1            | O   | DIG   | Synchronous serial data output (EUSART module); takes priority over port data.  |
|                            |          | 1            | O   | DIG   | Synchronous serial data input (EUSART module); user must configure as an input. |
|                            | CK2      | 1            | O   | DIG   | Synchronous serial data input (EUSART module); user must configure as an input. |
|                            |          | 1            | I   | ST  | Synchronous serial clock input (EUSART module).                                 |
| AN19                       | 1        | I            | ANA | A/D Input Channel 19. Default input configuration on POR. Does not affect digital output. |   |
| C3OUT                      | x        | O            | DIG | Comparator 3 output.  |   |

**Legend:** O = Output, I = Input, ANA = Analog Signal, DIG = Digital Output, ST = Schmitt Trigger Buffer Input, x = Don't care (TRIS bit does not affect port direction or is overridden for this option).

# PIC18F87K90 FAMILY

**TABLE 11-14: PORTG FUNCTIONS (CONTINUED)**

| Pin Name   | Function | TRIS Setting | I/O | I/O Type   | Description   |
|--|----------|--------------|-----|--|---|
| RG2/RX2/DT2/<br>AN18/C3INA                                   | RG2      | 0            | O   | DIG  | LATG<2> data output.  |
|  |          | 1            | I   | ST   | PORTG<2> data input.  |
|  | RX2      | 1            | I   | ST   | Asynchronous serial receive data input (EUSART module).                                   |
|  | DT2      | 1            | O   | DIG  | Synchronous serial data output (EUSART module); takes priority over port data.            |
|  |          | 1            | I   | ST   | Synchronous serial data input (EUSART module); user must configure as an input.           |
|  | AN18     | 1            | I   | ANA  | A/D Input Channel 18. Default input configuration on POR; does not affect digital output. |
| C3INA  | x        | I            | ANA | Comparator 3 Input A.  |   |
| RG3/CCP4/AN17/<br>P3D/C3INB                                  | RG3      | 0            | O   | DIG  | LATG<3> data output.  |
|  |          | 1            | I   | ST   | PORTG<3> data input.  |
|  | CCP4     | 0            | O   | DIG  | CCP4 compare/PWM output; takes priority over port data.                                   |
|  |          | 1            | I   | ST   | CCP4 capture input.   |
|  | AN17     | 1            | I   | ANA  | A/D Input Channel 17. Default input configuration on PR; does not affect digital output.  |
|  | C3INB    | x            | I   | ANA  | Comparator 3 Input B.   |
| P3D  | 0        | O            | —   | ECCP3 PWM Output D. May be configured for tri-state during Enhanced PWM. |   |
| RG4/SEG26/<br>RTCC/T7CKI/<br>T5G/CCP5/<br>AN16/P1D/<br>C3INC | RG4      | 0            | O   | DIG  | LATG<4> data output.  |
|  |          | 1            | I   | ST   | PORTG<4> data input.  |
|  | SEG26    | 1            | O   | ANA  | LCD Segment 26 output; disables all other pin functions.                                  |
|  | RTCC     | x            | O   | DIG  | RTCC output.  |
|  | T7CKI    | x            | I   | ST   | Timer7 clock input.   |
|  | T5G      | x            | I   | ST   | Timer5 external clock gate input.   |
|  | CCP5     | 0            | O   | DIG  | CCP5 compare/PWM output; takes priority over port data.                                   |
|  |          | 1            | I   | ST   | CCP5 capture input.   |
|  | AN16     | 1            | I   | ANA  | A/D Input Channel 17. Default input configuration on POR; does not affect digital output. |
| C3INC  | x        | I            | ANA | Comparator 3 Input C.  |   |
| P1D  | 0        | O            | —   | ECCP1 PWM Output D. May be configured for tri-state during Enhanced PWM. |   |
| RG5  |          |              | I   | ST   | See the $\overline{\text{MCLR}}$ /RG5 pin.  |

**Legend:** O = Output, I = Input, ANA = Analog Signal, DIG = Digital Output, ST = Schmitt Trigger Buffer Input, x = Don't care (TRIS bit does not affect port direction or is overridden for this option).

**TABLE 11-15: SUMMARY OF REGISTERS ASSOCIATED WITH PORTG**

| Name   | Bit 7                  | Bit 6                 | Bit 5              | Bit 4   | Bit 3   | Bit 2   | Bit 1   | Bit 0   | Reset Values on Page: |
|--------|------------------------|-----------------------|--------------------|---------|---------|---------|---------|---------|-----------------------|
| PORTG  | —                      | —                     | RG5 <sup>(1)</sup> | RG4     | RG3     | RG2     | RG1     | RG0     | 78                    |
| TRISG  | —                      | —                     | —                  | TRISG4  | TRISG3  | TRISG2  | TRISG1  | TRISG0  | 78                    |
| LCDSE3 | SE31                   | SE30                  | SE29               | SE28    | SE27    | SE26    | SE25    | SE24    | 83                    |
| ANCON2 | ANSEL23                | ANSEL22               | ANSEL21            | ANSEL20 | ANSEL19 | ANSEL18 | ANSEL17 | ANSEL16 | 81                    |
| ODCON1 | SSP1OD                 | CCP2OD                | CCP1OD             | —       | —       | —       | —       | SSP2OD  | 81                    |
| ODCON2 | CCP10OD <sup>(2)</sup> | CCP9OD <sup>(2)</sup> | CCP8OD             | CCP7OD  | CCP6OD  | CCP5OD  | CCP4OD  | CCP3OD  | 81                    |

**Legend:** — = unimplemented, read as '0'. Shaded cells are not used by PORTG.

**Note 1:** This bit is available when Master Clear is disabled (MCLRE = 0). When MCLRE is set, the bit is unimplemented.

**2:** Unimplemented in devices with a program memory of 32 Kbytes (PIC18FX5K90).



## 11.9 PORTH, LATH and TRISH Registers

**Note:** PORTH is available only on the 80-pin devices.

PORTH is an 8-bit wide, bidirectional I/O port. The corresponding Data Direction and Output Latch registers are TRISH and LATH.

All pins on PORTH are implemented with Schmitt Trigger input buffers. Each pin is individually configurable as an input or output.

All PORTH pins are multiplexed with the ADC/CCP/Comparator and LCD segment drives controlled by the LCDSE5 register. I/O port functions are only available when the segments are disabled.

### EXAMPLE 11-8: INITIALIZING PORTH

```
CLRF    PORTH    ; Initialize PORTH by
              ; clearing output
              ; data latches
CLRF    LATH     ; Alternate method
              ; to clear output
              ; data latches

BANKSEL ANCON2
MOVLW  0Fh     ; Configure PORTH as
MOVWF  ANCON2  ; digital I/O
MOVLW  0Fh     ; Configure PORTH as
MOVWF  ANCON1  ; digital I/O
MOVLW  0CFh    ; Value used to
              ; initialize data
              ; direction
MOVWF  TRISH   ; Set RH3:RH0 as inputs
              ; RH5:RH4 as outputs
              ; RH7:RH6 as inputs
```

# PIC18F87K90 FAMILY

**TABLE 11-16: PORTH FUNCTIONS**

| Pin Name                              | Function | TRIS Setting | I/O | I/O Type              | Description  |
|---------------------------------------|----------|--------------|-----|-----------------------|--|
| RH0/SEG47/<br>AN23                    | RH0      | 0            | O   | DIG                   | LATH<0> data output.   |
|                                       |          | 1            | I   | ST                    | PORTH<0> data input.   |
|                                       | SEG47    | 1            | O   | ANA                   | LCD Segment 47 output; disables all other pin functions.                                 |
|                                       | AN23     | 1            | I   | ANA                   | A/D Input Channel 23. Default input configuration on POR; does not affect digital input. |
| RH1/SEG46/<br>AN22                    | RH1      | 0            | O   | DIG                   | LATH<1> data output.   |
|                                       |          | 1            | I   | ST                    | PORTH<1> data input.   |
|                                       | SEG46    | 1            | O   | ANA                   | LCD Segment 46 output; disables all other pin functions.                                 |
|                                       | AN22     | 1            | I   | ANA                   | A/D Input Channel 22. Default input configuration on POR; does not affect digital input. |
| RH2/SEG45/<br>AN21                    | RH2      | 0            | O   | DIG                   | LATH<2> data output.   |
|                                       |          | 1            | I   | ST                    | PORTH<2> data input.   |
|                                       | SEG45    | 1            | O   | ANA                   | LCD Segment 45 output; disables all other pin functions.                                 |
|                                       | AN21     | 1            | I   | ANA                   | A/D Input Channel 21. Default input configuration on POR; does not affect digital input. |
| RH3/SEG44/<br>AN20                    | RH3      | 0            | O   | DIG                   | LATH<3> data output.   |
|                                       |          | 1            | I   | ST                    | PORTH<3> data input.   |
|                                       | SEG44    | 1            | O   | ANA                   | LCD Segment 44 output; disables all other pin functions.                                 |
|                                       | AN20     | 1            | I   | ANA                   | A/D Input Channel 20. Default input configuration on POR; does not affect digital input. |
| RH4/SEG40/<br>CCP9/P3C/<br>AN12/C2INC | RH4      | 0            | O   | DIG                   | LATH<4> data output.   |
|                                       |          | 1            | I   | ST                    | PORTH<4> data input.   |
|                                       | SEG40    | 1            | O   | ANA                   | LCD Segment 40 output; disables all other pin functions.                                 |
|                                       | CCP9     | 0            | O   | DIG                   | CCP9 compare/PWM output; takes priority over port data.                                  |
|                                       |          | 1            | I   | ST                    | CCP9 capture input.  |
|                                       | P3C      | 0            | O   | —                     | ECCP3 PWM Output C. May be configured for tri-state during Enhanced PWM.                 |
|                                       | AN12     | 1            | I   | ANA                   | A/D Input Channel 12. Default input configuration on POR; does not affect digital input. |
| C2INC                                 | x        | I            | ANA | Comparator 2 Input C. |  |
| RH5/SEG41/<br>CCP8/P3B/<br>AN13/C2IND | RH5      | 0            | O   | DIG                   | LATH<5> data output.   |
|                                       |          | 1            | I   | ST                    | PORTH<5> data input.   |
|                                       | SEG41    | 1            | O   | ANA                   | LCD Segment 41 output; disables all other pin functions.                                 |
|                                       | CCP8     | 0            | O   | DIG                   | CCP8 compare/PWM output; takes priority over port data.                                  |
|                                       |          | 1            | I   | ST                    | CCP8 capture input.  |
|                                       | P3B      | 0            | O   | —                     | ECCP3 PWM Output B. May be configured for tri-state during Enhanced PWM.                 |
|                                       | AN13     | 1            | I   | ANA                   | A/D Input Channel 13. Default input configuration on POR; does not affect digital input. |
| C2IND                                 | x        | I            | ANA | Comparator 2 Input D. |  |

**Legend:** O = Output, I = Input, ANA = Analog Signal, DIG = Digital Output, ST = Schmitt Trigger Buffer Input, x = Don't care (TRIS bit does not affect port direction or is overridden for this option).

# PIC18F87K90 FAMILY

**TABLE 11-16: PORTH FUNCTIONS (CONTINUED)**

| Pin Name                              | Function | TRIS Setting | I/O | I/O Type              | Description  |
|---------------------------------------|----------|--------------|-----|-----------------------|--|
| RH6/SEG42/<br>CCP7/P1C/<br>AN14/C1INC | RH6      | 0            | O   | DIG                   | LATH<6> data output.   |
|                                       |          | 1            | I   | ST                    | PORTH<6> data input.   |
|                                       | SEG42    | 1            | O   | ANA                   | LCD Segment 42 output; disables all other pin functions.                                 |
|                                       | CCP7     | 0            | O   | DIG                   | CCP7 compare/PWM output; takes priority over port data.                                  |
|                                       |          | 1            | I   | ST                    | CCP7 capture input.  |
|                                       | P1C      | 0            | O   | —                     | ECCP1 PWM Output C. May be configured for tri-state during Enhanced PWM.                 |
|                                       | AN14     | 1            | I   | ANA                   | A/D Input Channel 14. Default input configuration on POR; does not affect digital input. |
| C1INC                                 | x        | I            | ANA | Comparator 1 Input C. |  |
| RH7/SEG43/<br>CCP6/P1B/<br>AN15       | RH7      | 0            | O   | DIG                   | LATH<7> data output.   |
|                                       |          | 1            | I   | ST                    | PORTH<7> data input.   |
|                                       | SEG43    | 1            | O   | ANA                   | LCD Segment 43 output; disables all other pin functions.                                 |
|                                       | CCP6     | 0            | O   | DIG                   | CCP6 compare/PWM output; takes priority over port data.                                  |
|                                       |          | 1            | I   | ST                    | CCP6 capture input.  |
|                                       | P1B      | 0            | O   | —                     | ECCP1 PWM Output B. May be configured for tri-state during Enhanced PWM.                 |
|                                       | AN15     | 1            | I   | ANA                   | A/D Input Channel 15. Default input configuration on POR; does not affect digital input. |

**Legend:** O = Output, I = Input, ANA = Analog Signal, DIG = Digital Output, ST = Schmitt Trigger Buffer Input, x = Don't care (TRIS bit does not affect port direction or is overridden for this option).

**TABLE 11-17: SUMMARY OF REGISTERS ASSOCIATED WITH PORTH**

| Name   | Bit 7                  | Bit 6                 | Bit 5   | Bit 4   | Bit 3   | Bit 2   | Bit 1   | Bit 0   | Reset Values on Page: |
|--------|------------------------|-----------------------|---------|---------|---------|---------|---------|---------|-----------------------|
| PORTH  | RH7                    | RH6                   | RH5     | RH4     | RH3     | RH2     | RH1     | RH0     | 78                    |
| LATH   | LATH7                  | LATH6                 | LATH5   | LATH4   | LATH3   | LATH2   | LATH1   | LATH0   | 78                    |
| TRISH  | TRISH7                 | TRISH6                | TRISH5  | TRISH4  | TRISH3  | TRISH2  | TRISH1  | TRISH0  | 78                    |
| LCDSE5 | SE47                   | SE46                  | SE45    | SE44    | SE43    | SE42    | SE41    | SE40    | 83                    |
| ANCON1 | ANSEL15                | ANSEL14               | ANSEL13 | ANSEL12 | ANSEL11 | ANSEL10 | ANSEL9  | ANSEL8  | 81                    |
| ANCON2 | ANSEL23                | ANSEL22               | ANSEL21 | ANSEL20 | ANSEL19 | ANSEL18 | ANSEL17 | ANSEL16 | 81                    |
| ODCON2 | CCP10OD <sup>(1)</sup> | CCP9OD <sup>(1)</sup> | CCP8OD  | CCP7OD  | CCP6OD  | CCP5OD  | CCP4OD  | CCP3OD  | 81                    |

**Note 1:** Unimplemented in devices with a program memory of 32 Kbytes (PIC18FX5K90).

# PIC18F87K90 FAMILY

---

## 11.10 PORTJ, TRISJ and LATJ Registers

**Note:** PORTJ is available only on 80-pin devices.

PORTJ is an 8-bit wide, bidirectional port. The corresponding Data Direction and Output Latch registers are TRISJ and LATJ.

All pins on PORTJ are implemented with Schmitt Trigger input buffers. Each pin is individually configurable as an input or output.

**Note:** These pins are configured as digital inputs on any device Reset.

All PORTJ pins, except RJ0, are multiplexed with LCD segment drives controlled by the LCDSE4 register. I/O port functions are only available on these pins when the segments are disabled.

Each of the PORTJ pins has a weak internal pull-up. A single control bit can turn off all the pull-ups. This is performed by clearing bit RJPU (PADCFG1<5>). The weak pull-up is automatically turned off when the port pin is configured as an output. The pull-ups are disabled on any device Reset.

### EXAMPLE 11-9: INITIALIZING PORTJ

```
CLRF   PORTJ   ; Initialize PORTJ by
             ; clearing output latches
CLRF   LATJ    ; Alternate method
             ; to clear output latches
MOVLW  0CFh   ; Value used to
             ; initialize data
             ; direction
MOVWF  TRISJ  ; Set RJ3:RJ0 as inputs
             ; RJ5:RJ4 as output
             ; RJ7:RJ6 as inputs
```

# PIC18F87K90 FAMILY

**TABLE 11-18: PORTJ FUNCTIONS**

| Pin Name  | Function | TRIS Setting | I/O | I/O Type | Description  |
|-----------|----------|--------------|-----|----------|--|
| RJ0       | RJ0      | 0            | O   | DIG      | LATJ<0> data output.                                     |
|           |          | 1            | I   | ST       | PORTJ<0> data input.                                     |
| RJ1/SEG33 | RJ1      | 0            | O   | DIG      | LATJ<1> data output.                                     |
|           |          | 1            | I   | ST       | PORTJ<1> data input.                                     |
|           | SEG33    | 1            | O   | ANA      | LCD Segment 33 output; disables all other pin functions. |
| RJ2/SEG34 | RJ2      | 0            | O   | DIG      | LATJ<2> data output.                                     |
|           |          | 1            | I   | ST       | PORTJ<2> data input.                                     |
|           | SEG34    | 1            | O   | ANA      | LCD Segment 34 output; disables all other pin functions. |
| RJ3/SEG35 | RJ3      | 0            | O   | DIG      | LATJ<3> data output.                                     |
|           |          | 1            | I   | ST       | PORTJ<3> data input.                                     |
|           | SEG35    | 1            | O   | ANA      | LCD Segment 35 output; disables all other pin functions. |
| RJ4/SEG39 | RJ4      | 0            | O   | DIG      | LATJ<4> data output.                                     |
|           |          | 1            | I   | ST       | PORTJ<4> data input.                                     |
|           | SEG39    | 1            | O   | ANA      | LCD Segment 39 output; disables all other pin functions. |
| RJ5/SEG38 | RJ5      | 0            | O   | DIG      | LATJ<5> data output.                                     |
|           |          | 1            | I   | ST       | PORTJ<5> data input.                                     |
|           | SEG38    | 1            | O   | ANA      | LCD Segment 38 output; disables all other pin functions. |
| RJ6/SEG37 | RJ6      | 0            | O   | DIG      | LATJ<6> data output.                                     |
|           |          | 1            | I   | ST       | PORTJ<6> data input.                                     |
|           | SEG37    | 1            | O   | ANA      | LCD Segment 37 output; disables all other pin functions. |
| RJ7/SEG36 | RJ7      | 0            | O   | DIG      | LATJ<7> data output.                                     |
|           |          | 1            | I   | ST       | PORTJ<7> data input.                                     |
|           | SEG36    | 1            | O   | ANA      | LCD Segment 36 output; disables all other pin functions. |

**Legend:** O = Output, I = Input, ANA = Analog Signal, DIG = Digital Output, ST = Schmitt Trigger Buffer Input, x = Don't care (TRIS bit does not affect port direction or is overridden for this option).

**TABLE 11-19: SUMMARY OF REGISTERS ASSOCIATED WITH PORTJ**

| Name    | Bit 7  | Bit 6  | Bit 5               | Bit 4  | Bit 3  | Bit 2     | Bit 1     | Bit 0  | Reset Values on Page: |
|---------|--------|--------|---------------------|--------|--------|-----------|-----------|--------|-----------------------|
| PORTJ   | RJ7    | RJ6    | RJ5                 | RJ4    | RJ3    | RJ2       | RJ1       | RJ0    | 78                    |
| LATJ    | LATJ7  | LATJ6  | LATJ5               | LATJ4  | LATJ3  | LATJ2     | LATJ1     | LATJ0  | 78                    |
| TRISJ   | TRISJ7 | TRISJ6 | TRISJ5              | TRISJ4 | TRISJ3 | TRISJ2    | TRISJ1    | TRISJ0 | 78                    |
| LCDSE4  | SE39   | SE38   | SE37                | SE36   | SE35   | SE34      | SE33      | SE32   | 83                    |
| PADCFG1 | RDPJ   | REPU   | RJPU <sup>(1)</sup> | —      | —      | RTSECSEL1 | RTSECSEL0 | —      | 80                    |

**Legend:** Shaded cells are not used by PORTJ.

**Note 1:** Unimplemented in PIC18F6XK90 devices, read as '0'.

# PIC18F87K90 FAMILY

---

NOTES:

# PIC18F87K90 FAMILY

## 12.0 TIMER0 MODULE

The Timer0 module incorporates the following features:

- Software-selectable operation as a timer or counter in both 8-bit or 16-bit modes
- Readable and writable registers
- Dedicated 8-bit, software programmable prescaler
- Selectable clock source (internal or external)
- Edge select for external clock
- Interrupt-on-overflow

The T0CON register ([Register 12-1](#)) controls all aspects of the module's operation, including the prescale selection. It is both readable and writable.

[Figure 12-1](#) provides a simplified block diagram of the Timer0 module in 8-bit mode. [Figure 12-2](#) provides a simplified block diagram of the Timer0 module in 16-bit mode.

### REGISTER 12-1: T0CON: TIMER0 CONTROL REGISTER

| R/W-1  | R/W-1  | R/W-1 | R/W-1 | R/W-1 | R/W-1 | R/W-1 | R/W-1 |
|--------|--------|-------|-------|-------|-------|-------|-------|
| TMR0ON | T08BIT | T0CS  | T0SE  | PSA   | T0PS2 | T0PS1 | T0PS0 |
| bit 7  |        |       |       |       |       |       | bit 0 |

#### Legend:

R = Readable bit

W = Writable bit

U = Unimplemented bit, read as '0'

-n = Value at POR

'1' = Bit is set

'0' = Bit is cleared

x = Bit is unknown

bit 7 **TMR0ON:** Timer0 On/Off Control bit

1 = Enables Timer0

0 = Stops Timer0

bit 6 **T08BIT:** Timer0 8-Bit/16-Bit Control bit

1 = Timer0 is configured as an 8-bit timer/counter

0 = Timer0 is configured as a 16-bit timer/counter

bit 5 **T0CS:** Timer0 Clock Source Select bit

1 = Transition on T0CKI pin input edge

0 = Internal clock (Fosc/4)

bit 4 **T0SE:** Timer0 Source Edge Select bit

1 = Increment on high-to-low transition on the T0CKI pin

0 = Increment on low-to-high transition on the T0CKI pin

bit 3 **PSA:** Timer0 Prescaler Assignment bit

1 = Timer0 prescaler is not assigned; Timer0 clock input bypasses the prescaler

0 = Timer0 prescaler is assigned; Timer0 clock input comes from the prescaler output

bit 2-0 **T0PS<2:0>:** Timer0 Prescaler Select bits

111 = 1:256 Prescale value

110 = 1:128 Prescale value

101 = 1:64 Prescale value

100 = 1:32 Prescale value

011 = 1:16 Prescale value

010 = 1:8 Prescale value

001 = 1:4 Prescale value

000 = 1:2 Prescale value

# PIC18F87K90 FAMILY

## 12.1 Timer0 Operation

Timer0 can operate as either a timer or a counter. The mode is selected with the T0CS bit (T0CON<5>). In Timer mode (T0CS = 0), the module increments on every clock by default unless a different prescaler value is selected (see [Section 12.3 “Prescaler”](#)). If the TMR0 register is written to, the increment is inhibited for the following two instruction cycles. The user can work around this by writing an adjusted value to the TMR0 register.

The Counter mode is selected by setting the T0CS bit (= 1). In this mode, Timer0 increments, either on every rising edge or falling edge, of the T0CKI pin. The incrementing edge is determined by the Timer0 Source Edge Select bit, T0SE (T0CON<4>); clearing this bit selects the rising edge. Restrictions on the external clock input are discussed below.

An external clock source can be used to drive Timer0; however, it must meet certain requirements to ensure that the external clock can be synchronized with the

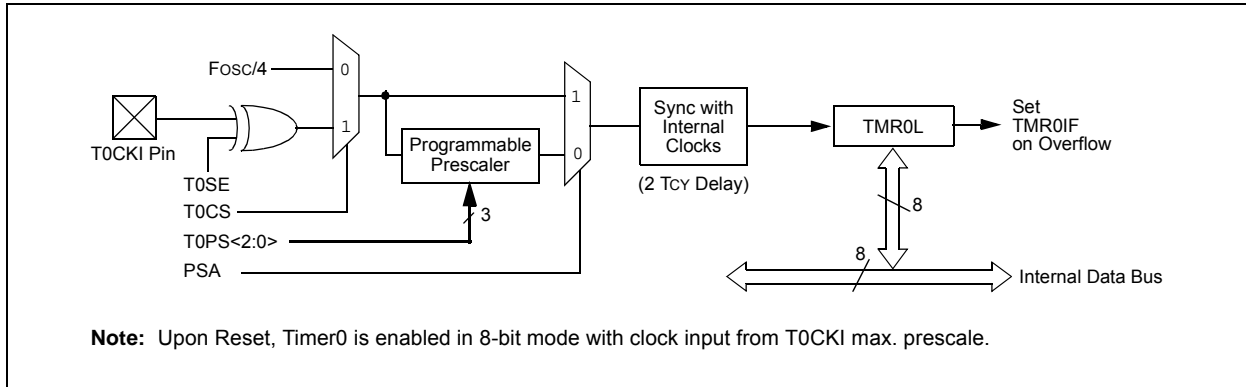
internal phase clock (Tosc). There is a delay between synchronization and the onset of incrementing the timer/counter.

## 12.2 Timer0 Reads and Writes in 16-Bit Mode

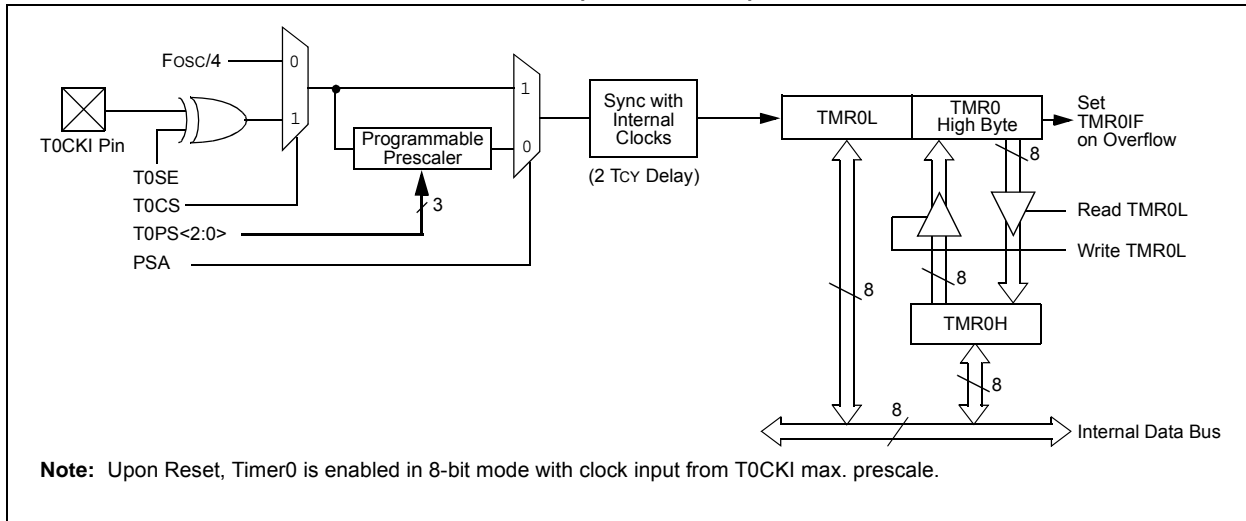
TMR0H is not the actual high byte of Timer0 in 16-bit mode. It is actually a buffered version of the real high byte of Timer0, which is not directly readable nor writable (see [Figure 12-2](#)). TMR0H is updated with the contents of the high byte of Timer0 during a read of TMR0L. This provides the ability to read all 16 bits of Timer0 without having to verify that the read of the high and low byte were valid, due to a rollover between successive reads of the high and low byte.

Similarly, a write to the high byte of Timer0 must also take place through the TMR0H Buffer register. The high byte is updated with the contents of TMR0H when a write occurs to TMR0L. This allows all 16 bits of Timer0 to be updated at once.

**FIGURE 12-1: TIMER0 BLOCK DIAGRAM (8-BIT MODE)**



**FIGURE 12-2: TIMER0 BLOCK DIAGRAM (16-BIT MODE)**





## 12.3 Prescaler

An 8-bit counter is available as a prescaler for the Timer0 module. The prescaler is not directly readable or writable. Its value is set by the PSA and T0PS<2:0> bits (T0CON<3:0>), which determine the prescaler assignment and prescale ratio.

Clearing the PSA bit assigns the prescaler to the Timer0 module. When it is assigned, prescale values from 1:2 through 1:256, in power-of-two increments, are selectable.

When assigned to the Timer0 module, all instructions writing to the TMR0 register (for example, CLRF TMR0, MOVWF TMR0, BSF TMR0) clear the prescaler count.

**Note:** Writing to TMR0 when the prescaler is assigned to Timer0 will clear the prescaler count but will not change the prescaler assignment.

### 12.3.1 SWITCHING PRESCALER ASSIGNMENT

The prescaler assignment is fully under software control and can be changed “on-the-fly” during program execution.

## 12.4 Timer0 Interrupt

The TMR0 interrupt is generated when the TMR0 register overflows from FFh to 00h in 8-bit mode, or from FFFFh to 0000h in 16-bit mode. This overflow sets the TMR0IF flag bit. The interrupt can be masked by clearing the TMR0IE bit (INTCON<5>). Before re-enabling the interrupt, the TMR0IF bit must be cleared in software by the Interrupt Service Routine (ISR).

Since Timer0 is shut down in Sleep mode, the TMR0 interrupt cannot awaken the processor from Sleep.

**TABLE 12-1: REGISTERS ASSOCIATED WITH TIMER0**

| Name   | Bit 7                     | Bit 6     | Bit 5  | Bit 4  | Bit 3 | Bit 2  | Bit 1  | Bit 0 | Reset Values on Page: |
|--------|---------------------------|-----------|--------|--------|-------|--------|--------|-------|-----------------------|
| TMR0L  | Timer0 Register Low Byte  |           |        |        |       |        |        |       | 76                    |
| TMR0H  | Timer0 Register High Byte |           |        |        |       |        |        |       | 76                    |
| INTCON | GIE/GIEH                  | PEIE/GIEL | TMR0IE | INT0IE | RBIE  | TMR0IF | INT0IF | RBIF  | 75                    |
| T0CON  | TMR0ON                    | T08BIT    | T0CS   | T0SE   | PSA   | T0PS2  | T0PS1  | T0PS0 | 76                    |

**Legend:** — = unimplemented, read as ‘0’. Shaded cells are not used by Timer0.

# PIC18F87K90 FAMILY

---

NOTES:

# PIC18F87K90 FAMILY

## 13.0 TIMER1 MODULE

The Timer1 timer/counter module incorporates these features:

- Software-selectable operation as a 16-bit timer or counter
- Readable and writable 8-bit registers (TMR1H and TMR1L)
- Selectable clock source (internal or external) with device clock or SOSC oscillator internal options
- Interrupt-on-overflow
- Reset on ECCP Special Event Trigger
- Timer with gated control

Figure 13-1 displays a simplified block diagram of the Timer1 module.

The SOSC oscillator can also be used as a low-power clock source for the microcontroller in power-managed operation. Timer1 can also work on the SOSC oscillator.

Timer1 is controlled through the T1CON Control register (Register 13-1), which also contains the SOSC Oscillator Enable bit (SOSCEN). Timer1 can be enabled or disabled by setting or clearing control bit, TMR1ON (T1CON<0>).

The Fosc clock source should not be used with the ECCP capture/compare features. If the timer will be used with the capture or compare features, always select one of the other timer clocking options.

**REGISTER 13-1: T1CON: TIMER1 CONTROL REGISTER**

| R/W-0   | R/W-0   | R/W-0   | R/W-0   | R/W-0  | R/W-0  | R/W-0 | R/W-0  |
|---------|---------|---------|---------|--------|--------|-------|--------|
| TMR1CS1 | TMR1CS0 | T1CKPS1 | T1CKPS0 | SOSCEN | T1SYNC | RD16  | TMR1ON |
| bit 7   |         |         |         |        |        |       | bit 0  |

**Legend:**

|                   |                  |                                    |
|-------------------|------------------|------------------------------------|
| R = Readable bit  | W = Writable bit | U = Unimplemented bit, read as '0' |
| -n = Value at POR | '1' = Bit is set | '0' = Bit is cleared               |
|                   |                  | x = Bit is unknown                 |

- bit 7-6 **TMR1CS<1:0>**: Timer1 Clock Source Select bits  
 10 = The Timer1 clock source is either a pin or an oscillator depending on the SOSCEN bit.  
SOSCEN = 0:  
 External clock is from the T1CKI pin (on the rising edge).  
SOSCEN = 1:  
 Crystal oscillator is on the SOSCI/SOSCO pins or an extended clock on SCKLI (depends on SOSCEL fuse, CONFIG1L<4:3>)  
 01 = Timer1 clock source is the system clock (Fosc)<sup>(1)</sup>  
 00 = Timer1 clock source is the instruction clock (Fosc/4)
- bit 5-4 **T1CKPS<1:0>**: Timer1 Input Clock Prescale Select bits  
 11 = 1:8 Prescale value  
 10 = 1:4 Prescale value  
 01 = 1:2 Prescale value  
 00 = 1:1 Prescale value
- bit 3 **SOSCEN**: SOSC Oscillator Enable bit  
 1 = SOSC is enabled for Timer1 (based on SOSCSEL fuses)  
 0 = SOSC is disabled for Timer1  
 The oscillator inverter and feedback resistor are turned off to eliminate power drain.
- bit 2 **T1SYNC**: Timer1 External Clock Input Synchronization Select bit  
TMR1CS<1:0> = 10:  
 1 = Do not synchronize the external clock input  
 0 = Synchronize the external clock input  
TMR1CS<1:0> = 0x:  
 This bit is ignored. Timer1 uses the internal clock when TMR1CS<1:0> = 1x.
- bit 1 **RD16**: 16-Bit Read/Write Mode Enable bit  
 1 = Enables register read/write of Timer1 in one 16-bit operation  
 0 = Enables register read/write of Timer1 in two 8-bit operations
- bit 0 **TMR1ON**: Timer1 On bit  
 1 = Enables Timer1  
 0 = Stops Timer1

**Note 1:** The Fosc clock source should not be selected if the timer will be used with the ECCP capture/compare features.

# PIC18F87K90 FAMILY

## 13.1 Timer1 Gate Control Register

The Timer1 Gate Control register (T1GCON), displayed in [Register 13-2](#), is used to control the Timer1 gate.

**REGISTER 13-2: T1GCON: TIMER1 GATE CONTROL REGISTER<sup>(1)</sup>**

| R/W-0  | R/W-0  | R/W-0 | R/W-0  | R/W-0        | R-x    | R/W-0  | R/W-0  |
|--------|--------|-------|--------|--------------|--------|--------|--------|
| TMR1GE | T1GPOL | T1GTM | T1GSPM | T1GGO/T1DONE | T1GVAL | T1GSS1 | T1GSS0 |
| bit 7  |        |       |        |              |        |        | bit 0  |

**Legend:**

|                   |                  |                                    |                    |
|-------------------|------------------|------------------------------------|--------------------|
| R = Readable bit  | W = Writable bit | U = Unimplemented bit, read as '0' |                    |
| -n = Value at POR | '1' = Bit is set | '0' = Bit is cleared               | x = Bit is unknown |

- bit 7     **TMR1GE:** Timer1 Gate Enable bit  
          If **TMR1ON = 0**:  
          This bit is ignored.  
          If **TMR1ON = 1**:  
          1 = Timer1 counting is controlled by the Timer1 gate function  
          0 = Timer1 counts regardless of the Timer1 gate function
- bit 6     **T1GPOL:** Timer1 Gate Polarity bit  
          1 = Timer1 gate is active-high (Timer1 counts when gate is high)  
          0 = Timer1 gate is active-low (Timer1 counts when gate is low)
- bit 5     **T1GTM:** Timer1 Gate Toggle Mode bit  
          1 = Timer1 Gate Toggle mode is enabled  
          0 = Timer1 Gate Toggle mode is disabled and toggle flip-flop is cleared  
          Timer1 gate flip-flop toggles on every rising edge.
- bit 4     **T1GSPM:** Timer1 Gate Single Pulse Mode bit  
          1 = Timer1 Gate Single Pulse mode is enabled and is controlling Timer1 gate  
          0 = Timer1 Gate Single Pulse mode is disabled
- bit 3     **T1GGO/T1DONE:** Timer1 Gate Single Pulse Acquisition Status bit  
          1 = Timer1 gate single pulse acquisition is ready, waiting for an edge  
          0 = Timer1 gate single pulse acquisition has completed or has not been started  
          This bit is automatically cleared when T1GSPM is cleared.
- bit 2     **T1GVAL:** Timer1 Gate Current State bit  
          Indicates the current state of the Timer1 gate that could be provided to TMR1H:TMR1L; unaffected by the Timer1 Gate Enable (TMR1GE) bit.
- bit 1-0   **T1GSS<1:0>:** Timer1 Gate Source Select bits  
          11 = Comparator 2 output  
          10 = Comparator 1 output  
          01 = TMR2 to match PR2 output  
          00 = Timer1 gate pin

**Note 1:** Programming the T1GCON register prior to T1CON is recommended.

## 13.2 Timer1 Operation

The Timer1 module is an 8 or 16-bit incrementing counter that is accessed through the TMR1H:TMR1L register pair.

When used with an internal clock source, the module is a timer and increments on every instruction cycle. When used with an external clock source, the module can be used as either a timer or counter. It increments on every selected edge of the external source.

Timer1 is enabled by configuring the TMR1ON and TMR1GE bits in the T1CON and T1GCON registers, respectively.

When SOSC is selected as a Crystal mode (by SOSCEL), the RC1/SOSCI/ECCP2/P2A/SEG32 and RC0/SOSCO/SCLKI pins become inputs. This means the values of TRISC<1:0> are ignored and the pins are read as '0'.

## 13.3 Clock Source Selection

The TMR1CS<1:0> and SOSSEN bits of the T1CON register are used to select the clock source for Timer1. [Register 13-1](#) displays the clock source selections.

### 13.3.1 INTERNAL CLOCK SOURCE

When the internal clock source is selected, the TMR1H:TMR1L register pair will increment on multiples of Fosc, as determined by the Timer1 prescaler.

### 13.3.2 EXTERNAL CLOCK SOURCE

When the external clock source is selected, the Timer1 module may work as a timer or a counter.

When enabled to count, Timer1 is incremented on the rising edge of the external clock input, T1CKI. Either of these external clock sources can be synchronized to the microcontroller system clock or they can run asynchronously.

When used as a timer with a clock oscillator, an external, 32.768 kHz crystal can be used in conjunction with the dedicated internal oscillator circuit.

**Note:** In Counter mode, a falling edge must be registered by the counter prior to the first incrementing rising edge after any one or more of the following conditions:

- Timer1 is enabled after a POR Reset
- Write to TMR1H or TMR1L
- Timer1 is disabled
- Timer1 is disabled (TMR1ON = 0)

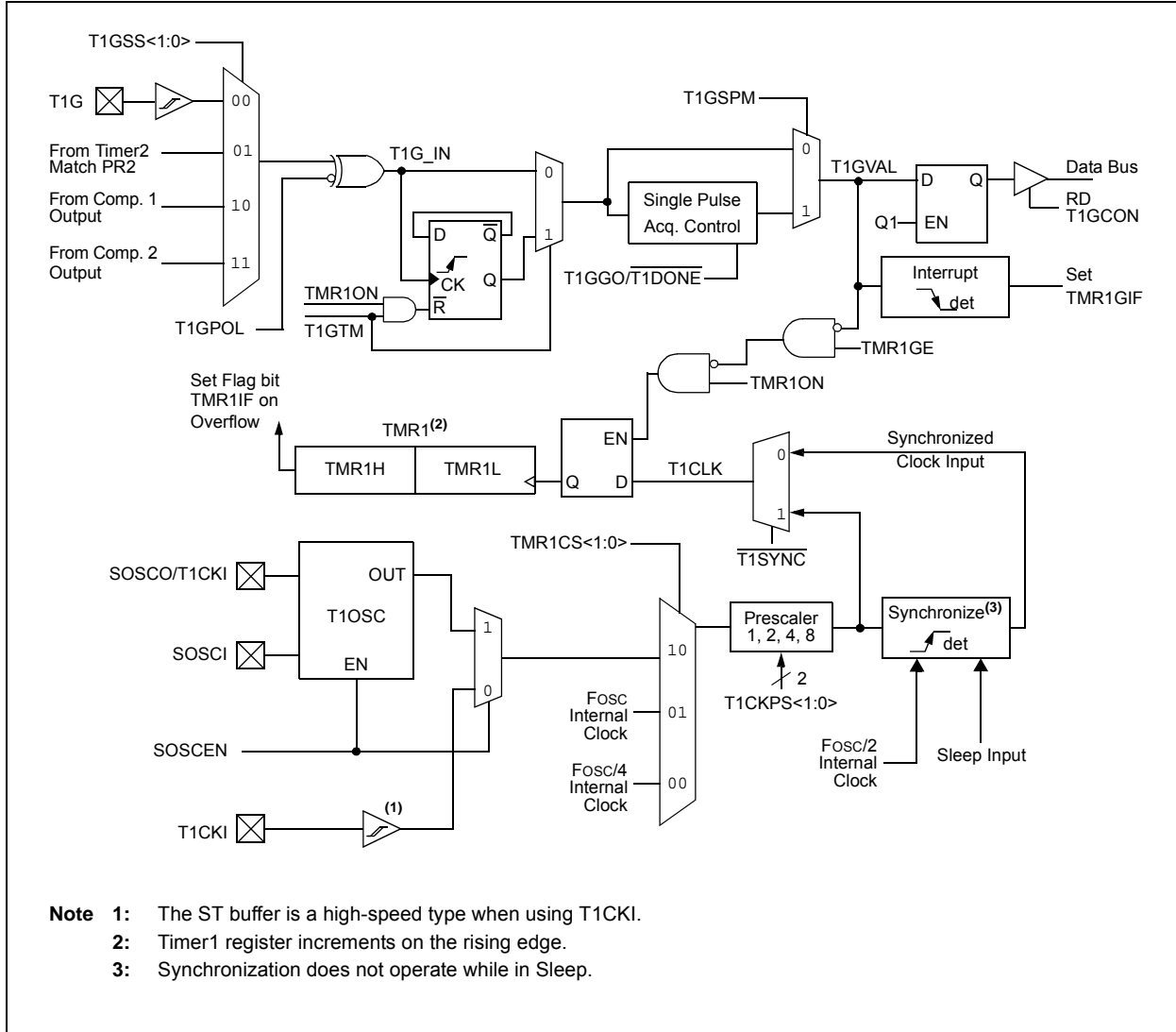
When T1CKI is high, Timer1 is enabled (TMR1ON = 1) when T1CKI is low.

**TABLE 13-1: TIMER1 CLOCK SOURCE SELECTION**

| TMR1CS1 | TMR1CS0 | SOSSEN | Clock Source                           |
|---------|---------|--------|--|
| 0       | 1       | x      | Clock Source (Fosc)                    |
| 0       | 0       | x      | Instruction Clock (Fosc/4)             |
| 1       | 0       | 0      | External Clock on T1CKI Pin            |
| 1       | 0       | 1      | Oscillator Circuit on SOSCI/SOSCO Pins |

# PIC18F87K90 FAMILY

**FIGURE 13-1: TIMER1 BLOCK DIAGRAM**



## 13.4 Timer1 16-Bit Read/Write Mode

Timer1 can be configured for 16-bit reads and writes. When the RD16 control bit (T1CON<1>) is set, the address for TMR1H is mapped to a buffer register for the high byte of Timer1. A read from TMR1L loads the contents of the high byte of Timer1 into the Timer1 High Byte Buffer register. This provides the user with the ability to accurately read all 16 bits of Timer1 without having to determine whether a read of the high byte, followed by a read of the low byte, has become invalid due to a rollover between reads.

A write to the high byte of Timer1 must also take place through the TMR1H Buffer register. The Timer1 high byte is updated with the contents of TMR1H when a write occurs to TMR1L. This allows a user to write all 16 bits at once to both the high and low bytes of Timer1.

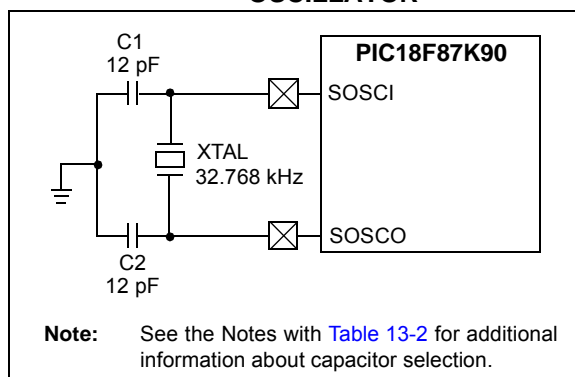
The high byte of Timer1 is not directly readable or writable in this mode. All reads and writes must take place through the Timer1 High Byte Buffer register. Writes to TMR1H do not clear the Timer1 prescaler; the prescaler is only cleared on writes to TMR1L.

## 13.5 SOSC Oscillator

An on-chip crystal oscillator circuit is incorporated between pins, SOSCI (input) and SOSCO (amplifier output). It is enabled by setting one of five bits: any of the four SOSCEN bits in the TxCON registers (TxCON<3>) or the SOSCGO bit in the OSCCON2 register (OSCCON2<3>). The oscillator is a low-power circuit, rated for 32 kHz crystals. It will continue to run during all power-managed modes. The circuit for a typical LP oscillator is depicted in Figure 13-2. Table 13-2 provides the capacitor selection for the SOSC oscillator.

The user must provide a software time delay to ensure proper start-up of the SOSC oscillator.

**FIGURE 13-2: EXTERNAL COMPONENTS FOR THE SOSC OSCILLATOR**



**TABLE 13-2: CAPACITOR SELECTION FOR THE TIMER OSCILLATOR<sup>(2,3,4,5)</sup>**

| Oscillator Type | Freq.  | C1                   | C2                   |
|-----------------|--------|----------------------|----------------------|
| LP              | 32 kHz | 12 pF <sup>(1)</sup> | 12 pF <sup>(1)</sup> |

**Note 1:** Microchip suggests these values as a starting point in validating the oscillator circuit.

**2:** Higher capacitance increases the stability of the oscillator, but also increases the start-up time.

**3:** Since each resonator/crystal has its own characteristics, the user should consult the resonator/crystal manufacturer for appropriate values of external components.

**4:** Capacitor values are for design guidance only. Values listed would be typical of a CL = 10 pF rated crystal when SOSCSEL<1:0> = 11.

**5:** Incorrect capacitance value may result in a frequency not meeting the crystal manufacturer's tolerance specification.

The SOSC crystal oscillator drive level is determined based on the SOSCSEL<1:0> (CONFIG1L<4:3>) Configuration bits. The High Drive Level mode, SOSCSEL<1:0> = 11, is intended to drive a wide variety of 32.768 kHz crystals with a variety of load capacitance (CL) ratings.

The Low Drive Level mode is highly optimized for extremely low-power consumption. It is not intended to drive all types of 32.768 kHz crystals. In the Low Drive Level mode, the crystal oscillator circuit may not work correctly if excessively large discrete capacitors are placed on the SOSCO and SOSCI pins. This mode is designed to work only with discrete capacitances of approximately 3 pF-10 pF on each pin.

Crystal manufacturers usually specify a CL (Capacitance Load) rating for their crystals. This value is related to, but not necessarily the same as, the values that should be used for C1 and C2 in Figure 13-2.

For more details on selecting the optimum C1 and C2 for a given crystal, see the crystal manufacturer's applications information. The optimum value depends, in part, on the amount of parasitic capacitance in the circuit, which is often unknown. For that reason, it is highly recommended that thorough testing and validation of the oscillator be performed after values have been selected.

# PIC18F87K90 FAMILY

## 13.5.1 USING SOSC AS A CLOCK SOURCE

The SOSC oscillator is also available as a clock source in power-managed modes. By setting the System Clock Select bits,  $SCS<1:0>$  ( $OSCCON<1:0>$ ), to '01', the device switches to SEC\_RUN mode, and both the CPU and peripherals are clocked from the SOSC oscillator. If the IDLEN bit ( $OSCCON<7>$ ) is cleared and a SLEEP instruction is executed, the device enters SEC\_IDLE mode. Additional details are available in [Section 4.0 "Power-Managed Modes"](#).

Whenever the SOSC oscillator is providing the clock source, the SOSC System Clock Status Flag, SOSC-RUN ( $OSCCON2<6>$ ), is set. This can be used to determine the controller's current clocking mode. It can also indicate the clock source currently being used by the Fail-Safe Clock Monitor (FSCM).

If the Clock Monitor is enabled and the SOSC oscillator fails while providing the clock, polling the SOCSRUN bit will indicate whether the clock is being provided by the SOSC oscillator or another source.

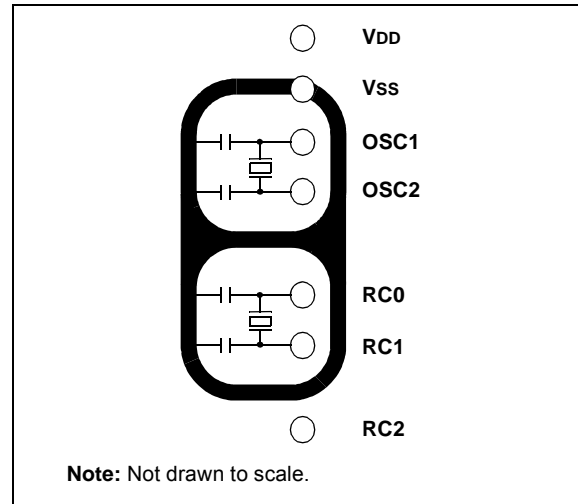
## 13.5.2 SOSC OSCILLATOR LAYOUT CONSIDERATIONS

The SOSC oscillator circuit draws very little power during operation. Due to the low-power nature of the oscillator, it may also be sensitive to rapidly changing signals in close proximity. This is especially true when the oscillator is configured for extremely low-power mode ( $CONFIG1L<4:3>$  ( $SOSCSEL$ ) = 01).

The oscillator circuit, displayed in [Figure 13-2](#), should be located as close as possible to the microcontroller. There should be no circuits passing within the oscillator circuit boundaries other than VSS or VDD.

If a high-speed circuit must be located near the oscillator, it may help to have a grounded guard ring around the oscillator circuit. The guard, as displayed in [Figure 13-3](#), could be used on a single-sided PCB or in addition to a ground plane. (Examples of a high-speed circuit include the ECCP1 pin, in Output Compare or PWM mode, or the primary oscillator using the OSC2 pin.)

**FIGURE 13-3: OSCILLATOR CIRCUIT WITH GROUNDED GUARD RING**



In the Low Drive Level mode,  $SOSCSEL<1:0> = 01$ , it is critical that RC2 I/O pin signals be kept away from the oscillator circuit. Configuring RC2 as a digital output, and toggling it, can potentially disturb the oscillator circuit, even with a relatively good PCB layout. If possible, either leave RC2 unused or use it as an input pin with a slew rate limited signal source. If RC2 must be used as a digital output, it may be necessary to use the High Drive Level Oscillator mode ( $SOSCSEL<1:0> = 11$ ) with many PCB layouts.

Even in the High Drive Level mode, careful layout procedures should still be followed when designing the oscillator circuit.

In addition to dV/dt induced noise considerations, it is important to ensure that the circuit board is clean. Even a very small amount of conductive soldering flux residue can cause PCB leakage currents that can overwhelm the oscillator circuit.

## 13.6 Timer1 Interrupt

The TMR1 register pair (TMR1H:TMR1L) increments from 0000h to FFFFh and rolls over to 0000h. The Timer1 interrupt, if enabled, is generated on overflow which is latched in the Timer1 Overflow Interrupt Flag bit, TMR1IF ( $PIR1<0>$ ). This interrupt can be enabled or disabled by setting or clearing the Timer1 Interrupt Enable bit, TMR1IE ( $PIE1<0>$ ).



## 13.7 Resetting Timer1 Using the ECCP Special Event Trigger

If ECCP modules are configured to use Timer1 and to generate a Special Event Trigger in Compare mode (CCPxM<3:0> = 1011), this signal will reset Timer1. The trigger from ECCP2 will also start an A/D conversion, if the A/D module is enabled. (For more information, see [Section 19.3.4 “Special Event Trigger”](#).)

To take advantage of this feature, the module must be configured as either a timer or a synchronous counter. When used this way, the CCPRxH:CCPRxL register pair effectively becomes a Period register for Timer1.

If Timer1 is running in Asynchronous Counter mode, this Reset operation may not work.

In the event that a write to Timer1 coincides with a Special Event Trigger, the write operation will take precedence.

**Note:** The Special Event Trigger from the ECCPx module will only clear the TMR1 register's content, but not set the TMR1IF interrupt flag bit (PIR1<0>).

## 13.8 Timer1 Gate

Timer1 can be configured to count freely or the count can be enabled and disabled using the Timer1 gate circuitry. This is also referred to as Timer1 gate count enable.

Timer1 gate can also be driven by multiple selectable sources.

### 13.8.1 TIMER1 GATE COUNT ENABLE

The Timer1 Gate Enable mode is enabled by setting the TMR1GE bit of the T1GCON register. The polarity of the Timer1 Gate Enable mode is configured using the T1GPOL bit (T1GCON<6>).

When Timer1 Gate Enable mode is enabled, Timer1 will increment on the rising edge of the Timer1 clock source. When Timer1 Gate Enable mode is disabled, no incrementing will occur and Timer1 will hold the current count. See [Figure 13-4](#) for timing details.

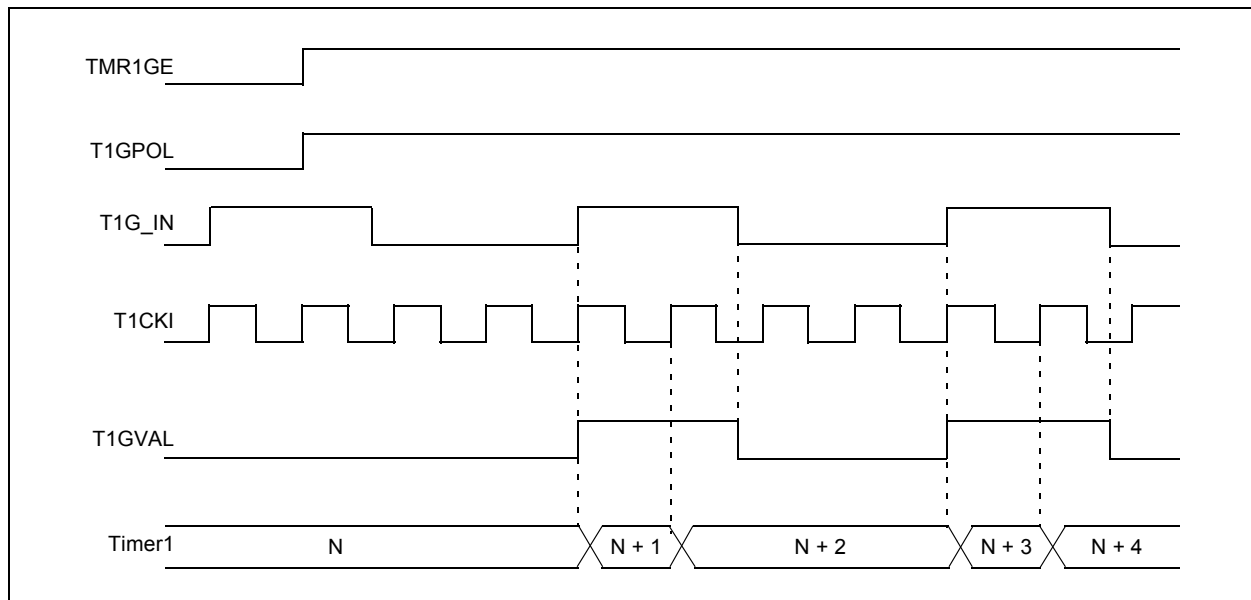
**TABLE 13-3: TIMER1 GATE ENABLE SELECTIONS**

| T1CLK(†) | T1GPOL (T1GCON<6>) | T1G Pin | Timer1 Operation |
|----------|--------------------|---------|------------------|
| ↑        | 0                  | 0       | Counts           |
| ↑        | 0                  | 1       | Holds Count      |
| ↑        | 1                  | 0       | Holds Count      |
| ↑        | 1                  | 1       | Counts           |

† The clock on which TMR1 is running. For more information, see [Figure 13-1](#).

**Note:** The CCP and ECCP modules use Timers, 1 through 8, for some modes. The assignment of a particular timer to a CCP/ECCP module is determined by the Timer to CCP enable bits in the CCPTMRSx registers. For more details, see [Register 18-2](#), [Register 18-3](#) and [Register 19-2](#)

**FIGURE 13-4: TIMER1 GATE COUNT ENABLE MODE**



# PIC18F87K90 FAMILY

---

## 13.8.2 TIMER1 GATE SOURCE SELECTION

The Timer1 gate source can be selected from one of four sources. Source selection is controlled by the T1GSSx bits, T1GCON<1:0> (see [Table 13-4](#)).

**TABLE 13-4: TIMER1 GATE SOURCES**

| T1GSS<1:0> | Timer1 Gate Source                                    |
|------------|---|
| 00         | Timer1 Gate Pin                                       |
| 01         | TMR2 to Match PR2<br>(TMR2 increments to match PR2)   |
| 10         | Comparator 1 Output<br>(Comparator logic high output) |
| 11         | Comparator 2 Output<br>(Comparator logic high output) |

The polarity for each available source is also selectable, controlled by the T1GPOL bit (T1GCON<6>).

### 13.8.2.1 T1G Pin Gate Operation

The T1G pin is one source for Timer1 gate control. It can be used to supply an external source to the Timer1 gate circuitry.

### 13.8.2.2 Timer2 Match Gate Operation

The TMR2 register will increment until it matches the value in the PR2 register. On the very next increment cycle, TMR2 will be reset to 00h. When this Reset occurs, a low-to-high pulse will automatically be generated and internally supplied to the Timer1 gate circuitry. The pulse will remain high for one instruction cycle and will return back to a low state until the next match.

Depending on T1GPOL, Timer1 increments differently when TMR2 matches PR2. When T1GPOL = 1, Timer1 increments for a single instruction cycle following a TMR2 match with PR2. When T1GPOL = 0, Timer1 increments continuously, except for the cycle following the match, when the gate signal goes from low-to-high.

### 13.8.2.3 Comparator 1 Output Gate Operation

The output of Comparator 1 can be internally supplied to the Timer1 gate circuitry. After setting up Comparator 1 with the CM1CON register, Timer1 will increment depending on the transition of the CMP1OUT (CMSTAT<5>) bit.

### 13.8.2.4 Comparator 2 Output Gate Operation

The output of Comparator 2 can be internally supplied to the Timer1 gate circuitry. After setting up Comparator 2 with the CM2CON register, Timer1 will increment depending on the transition of the CMP2OUT (CMSTAT<6>) bit.

## 13.8.3 TIMER1 GATE TOGGLE MODE

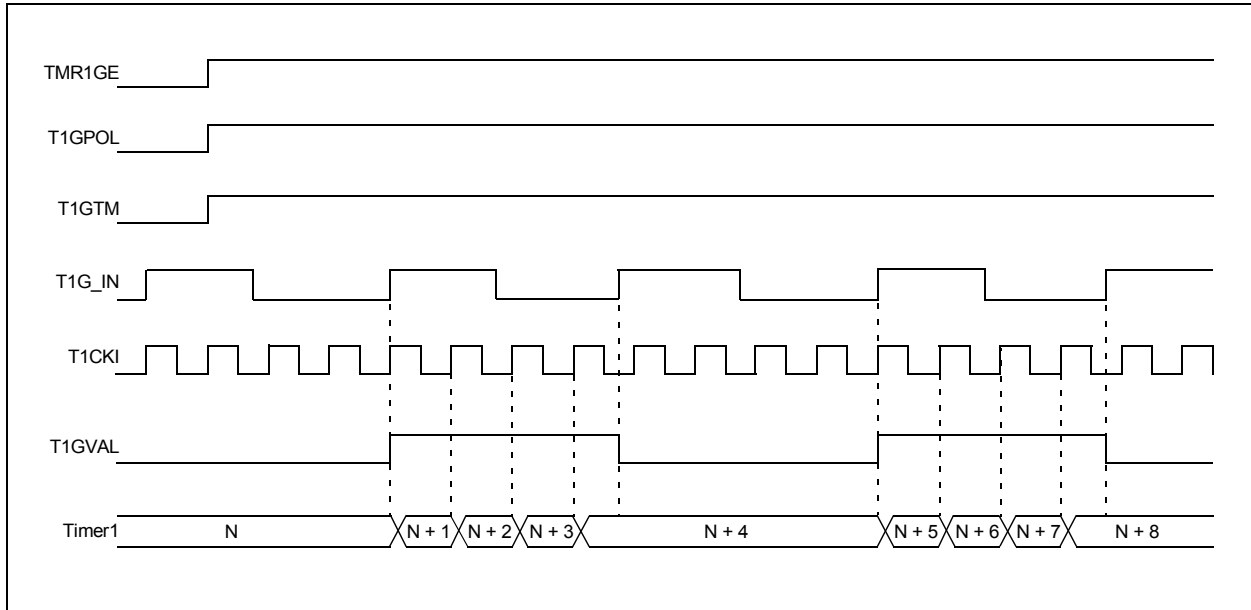
When Timer1 Gate Toggle mode is enabled, it is possible to measure the full cycle length of a Timer1 gate signal, as opposed to the duration of a single level pulse.

The Timer1 gate source is routed through a flip-flop that changes state on every incrementing edge of the signal. (For timing details, see [Figure 13-5](#).)

The T1GVAL bit (T1GCON<2>) indicates when the Toggled mode is active and the timer is counting.

The Timer1 Gate Toggle mode is enabled by setting the T1GTM bit (T1GCON<5>). When T1GTM is cleared, the flip-flop is cleared and held clear. This is necessary in order to control which edge is measured.

**FIGURE 13-5: TIMER1 GATE TOGGLE MODE**



# PIC18F87K90 FAMILY

## 13.8.4 TIMER1 GATE SINGLE PULSE MODE

When Timer1 Gate Single Pulse mode is enabled, it is possible to capture a single pulse gate event. Timer1 Gate Single Pulse mode is enabled by setting the T1GSPM bit (T1GCON<4>) and the T1GGO/T1DONE bit (T1GCON<3>). The Timer1 will be fully enabled on the next incrementing edge.

On the next trailing edge of the pulse, the T1GGO/T1DONE bit will automatically be cleared. No other gate events will be allowed to increment Timer1 until the T1GGO/T1DONE bit is once again set in software.

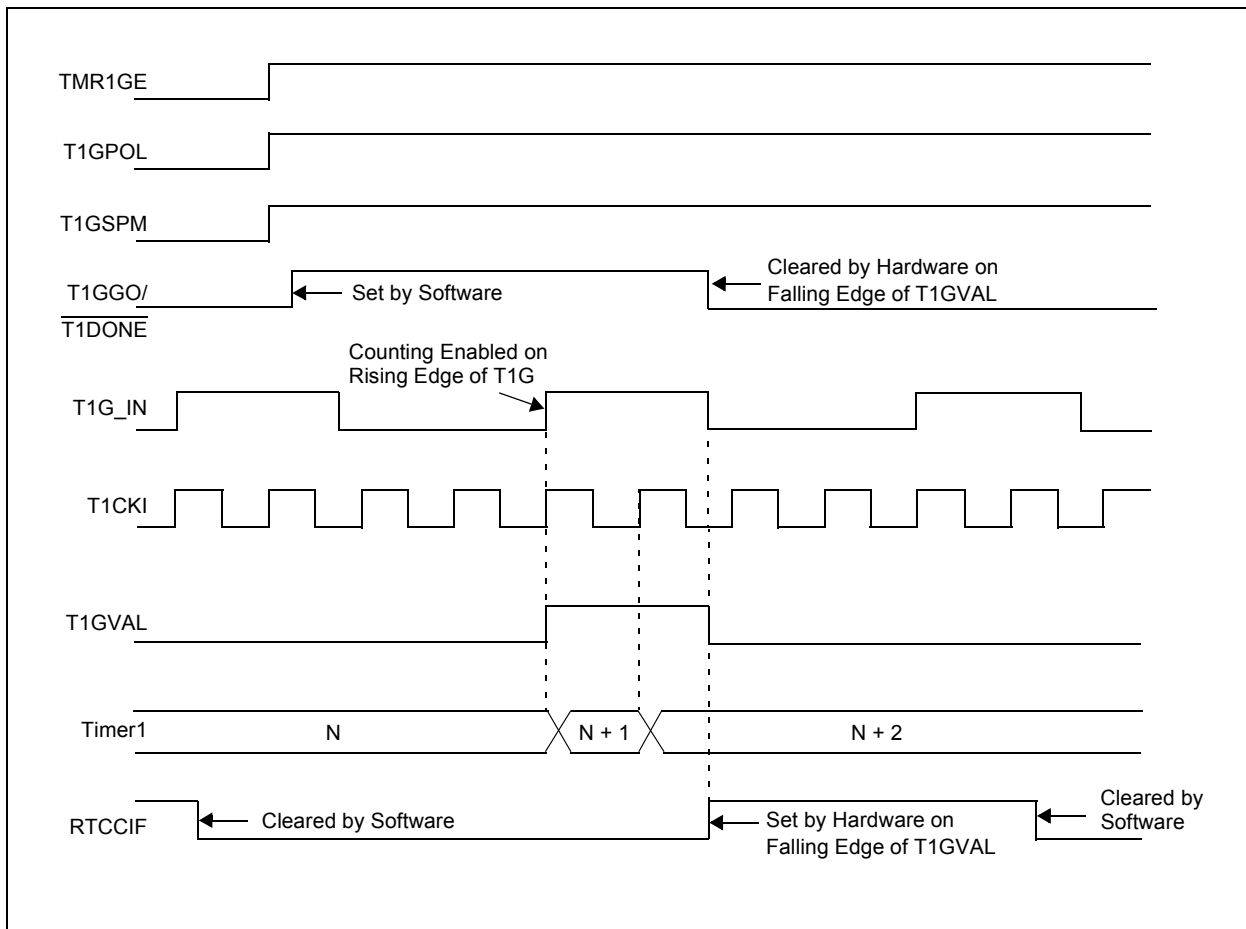
Clearing the T1GSPM bit of the T1GCON register will also clear the T1GGO/T1DONE bit. (For timing details, see [Figure 13-6](#).)

Simultaneously enabling the Toggle and Single Pulse modes will permit both sections to work together. This allows the cycle times on the Timer1 gate source to be measured. (For timing details, see [Figure 13-7](#).)

## 13.8.5 TIMER1 GATE VALUE STATUS

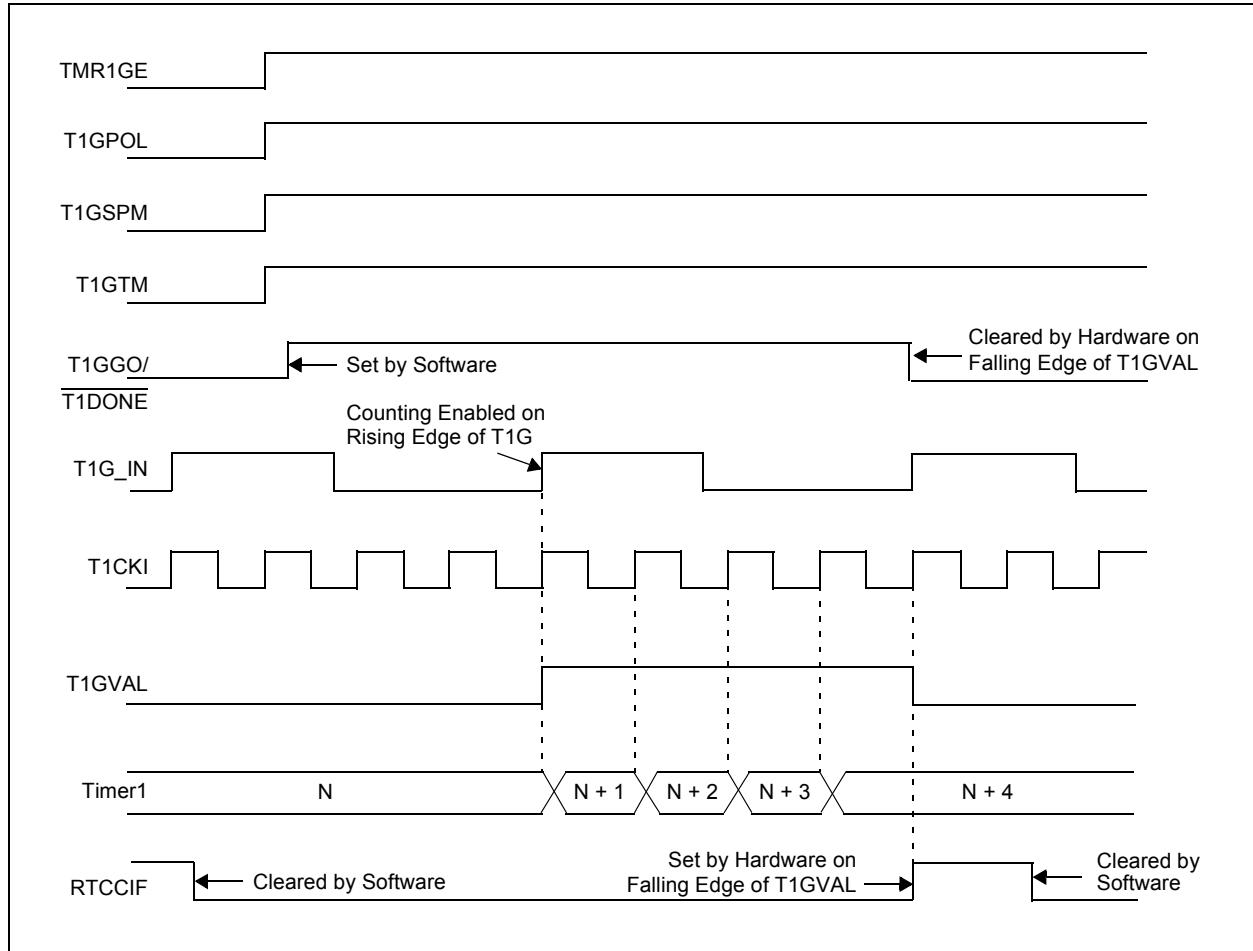
When the Timer1 gate value status is utilized, it is possible to read the most current level of the gate control value. The value is stored in the T1GVAL bit (T1GCON<2>). This bit is valid even when the Timer1 gate is not enabled (TMR1GE bit is cleared).

**FIGURE 13-6: TIMER1 GATE SINGLE PULSE MODE**



# PIC18F87K90 FAMILY

**FIGURE 13-7: TIMER1 GATE SINGLE PULSE AND TOGGLE COMBINED MODE**



**TABLE 13-5: REGISTERS ASSOCIATED WITH TIMER1 AS A TIMER/COUNTER**

| Name     | Bit 7                     | Bit 6     | Bit 5   | Bit 4    | Bit 3                     | Bit 2               | Bit 1   | Bit 0   | Reset Values on Page: |
|----------|---------------------------|-----------|---------|----------|---------------------------|---------------------|---------|---------|-----------------------|
| INTCON   | GIE/GIEH                  | PEIE/GIEL | TMR0IE  | INT0IE   | RBIE                      | TMR0IF              | INT0IF  | RBIF    | 75                    |
| PIR1     | —                         | ADIF      | RC1IF   | TX1IF    | SSP1IF                    | TMR1GIF             | TMR2IF  | TMR1IF  | 77                    |
| PIE1     | —                         | ADIE      | RC1IE   | TX1IE    | SSP1IE                    | TMR1GIE             | TMR2IE  | TMR1IE  | 77                    |
| IPR1     | —                         | ADIP      | RC1IP   | TX1IP    | SSP1IP                    | TMR1GIP             | TMR2IP  | TMR1IP  | 77                    |
| TMR1L    | Timer1 Register Low Byte  |           |         |          |                           |                     |         |         | 76                    |
| TMR1H    | Timer1 Register High Byte |           |         |          |                           |                     |         |         | 76                    |
| T1CON    | TMR1CS1                   | TMR1CS0   | T1CKPS1 | T1CKPS0  | SOSCEN                    | $\overline{T1SYNC}$ | RD16    | TMR1ON  | 76                    |
| T1GCON   | TMR1GE                    | T1GPOL    | T1GTM   | T1GSPM   | $\overline{T1GGO/T1DONE}$ | T1GVAL              | T1GSS1  | T1GSS0  | 77                    |
| OSCCON2  | —                         | SOSCRUN   | —       | —        | SOSCGO                    | —                   | MFIOFS  | MFIOSEL | 79                    |
| CCPTMRS0 | C3TSEL1                   | C3TSEL0   | C2TSEL2 | C2TSEL1  | C2TSEL0                   | C1TSEL2             | C1TSEL1 | C1TSEL0 | 81                    |
| CCPTMRS1 | C7TSEL1                   | C7TSEL0   | —       | C6TSEL0  | —                         | C5TSEL0             | C4TSEL1 | C4TSEL0 | 81                    |
| CCPTMRS2 | —                         | —         | —       | C10TSEL0 | —                         | C9TSEL0             | C8TSEL1 | C8TSEL0 | 81                    |

**Legend:** Shaded cells are not used by the Timer1 module.

# PIC18F87K90 FAMILY

---

NOTES:

## 14.0 TIMER2 MODULE

The Timer2 module incorporates the following features:

- 8-bit Timer and Period registers (TMR2 and PR2, respectively)
- Both registers are readable and writable
- Software programmable prescaler (1:1, 1:4 and 1:16)
- Software programmable postscaler (1:1 through 1:16)
- Interrupt on TMR2 to PR2 match
- Optional use as the shift clock for the MSSP modules

This module is controlled through the T2CON register (Register 14-1) that enables or disables the timer, and configures the prescaler and postscaler. Timer2 can be shut off by clearing control bit, TMR2ON (T2CON<2>), to minimize power consumption.

A simplified block diagram of the module is shown in Figure 14-1.

### 14.1 Timer2 Operation

In normal operation, TMR2 is incremented from 00h on each clock (FOSC/4). A 4-bit counter/prescaler on the clock input gives the prescale options of direct input, divide-by-4 or divide-by-16. These are selected by the prescaler control bits, T2CKPS<1:0> (T2CON<1:0>).

The value of TMR2 is compared to that of the Period register, PR2, on each clock cycle. When the two values match, the comparator generates a match signal as the timer output. This signal also resets the value of TMR2 to 00h on the next cycle and drives the output counter/postscaler. (See Section 14.2 “Timer2 Interrupt”.)

The TMR2 and PR2 registers are both directly readable and writable. The TMR2 register is cleared on any device Reset, while the PR2 register initializes at FFh. Both the prescaler and postscaler counters are cleared on the following events:

- A write to the TMR2 register
- A write to the T2CON register
- Any device Reset (Power-on Reset (POR),  $\overline{\text{MCLR}}$  Reset, Watchdog Timer Reset (WDTR) or Brown-out Reset [BOR])

TMR2 is not cleared when T2CON is written.

**Note:** The CCP and ECCP modules use Timers, 1 through 8, for some modes. The assignment of a particular timer to a CCP/ECCP module is determined by the Timer to CCP enable bits in the CCPTMRSx registers. For more details, see Register 18-2, Register 18-3 and Register 19-2.

### REGISTER 14-1: T2CON: TIMER2 CONTROL REGISTER

|       |          |          |          |          |        |         |         |
|-------|----------|----------|----------|----------|--------|---------|---------|
| U-0   | R/W-0    | R/W-0    | R/W-0    | R/W-0    | R/W-0  | R/W-0   | R/W-0   |
| —     | T2OUTPS3 | T2OUTPS2 | T2OUTPS1 | T2OUTPS0 | TMR2ON | T2CKPS1 | T2CKPS0 |
| bit 7 |          |          |          |          |        |         | bit 0   |

**Legend:**

|                   |                  |                                    |
|-------------------|------------------|------------------------------------|
| R = Readable bit  | W = Writable bit | U = Unimplemented bit, read as '0' |
| -n = Value at POR | '1' = Bit is set | '0' = Bit is cleared               |
|                   |                  | x = Bit is unknown                 |

- bit 7           **Unimplemented:** Read as '0'
- bit 6-3       **T2OUTPS<3:0>:** Timer2 Output Postscale Select bits
  - 0000 = 1:1 Postscale
  - 0001 = 1:2 Postscale
  - 
  - 
  - 
  - 1111 = 1:16 Postscale
- bit 2           **TMR2ON:** Timer2 On bit
  - 1 = Timer2 is on
  - 0 = Timer2 is off
- bit 1-0       **T2CKPS<1:0>:** Timer2 Clock Prescale Select bits
  - 00 = Prescaler is 1
  - 01 = Prescaler is 4
  - 1x = Prescaler is 16

# PIC18F87K90 FAMILY

## 14.2 Timer2 Interrupt

Timer2 can also generate an optional device interrupt. The Timer2 output signal (TMR2 to PR2 match) provides the input for the 4-bit output counter/postscaler. This counter generates the TMR2 match interrupt flag, which is latched in TMR2IF (PIR1<1>). The interrupt is enabled by setting the TMR2 Match Interrupt Enable bit, TMR2IE (PIE1<1>).

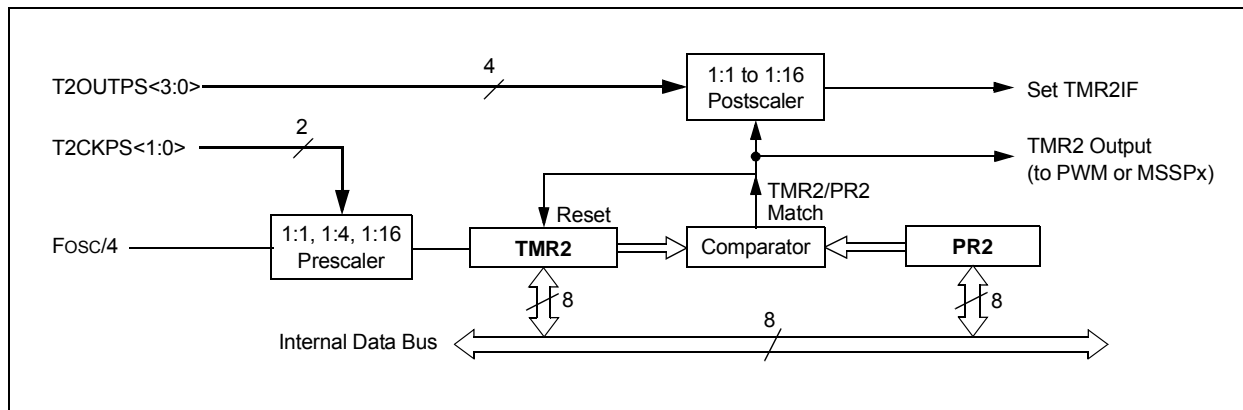
A range of 16 postscaler options (from 1:1 through 1:16 inclusive) can be selected with the postscaler control bits, T2OUTPS<3:0> (T2CON<6:3>).

## 14.3 Timer2 Output

The unscaled output of TMR2 is available primarily to the ECCP modules, where it is used as a time base for operations in PWM mode.

Timer2 can optionally be used as the shift clock source for the MSSP modules operating in SPI mode. Additional information is provided in [Section 21.0 “Master Synchronous Serial Port \(MSSP\) Module”](#).

**FIGURE 14-1: TIMER2 BLOCK DIAGRAM**



**TABLE 14-1: REGISTERS ASSOCIATED WITH TIMER2 AS A TIMER/COUNTER**

| Name   | Bit 7                  | Bit 6     | Bit 5    | Bit 4    | Bit 3    | Bit 2   | Bit 1   | Bit 0   | Reset Values on Page: |
|--------|------------------------|-----------|----------|----------|----------|---------|---------|---------|-----------------------|
| INTCON | GIE/GIEH               | PEIE/GIEL | TMR0IE   | INT0IE   | RBIE     | TMR0IF  | INT0IF  | RBIF    | 75                    |
| PIR1   | —                      | ADIF      | RC1IF    | TX1IF    | SSP1IF   | TMR1GIF | TMR2IF  | TMR1IF  | 77                    |
| PIE1   | —                      | ADIE      | RC1IE    | TX1IE    | SSP1IE   | TMR1GIE | TMR2IE  | TMR1IE  | 77                    |
| IPR1   | —                      | ADIP      | RC1IP    | TX1IP    | SSP1IP   | TMR1GIP | TMR2IP  | TMR1IP  | 77                    |
| TMR2   | Timer2 Register        |           |          |          |          |         |         |         | 76                    |
| T2CON  | —                      | T2OUTPS3  | T2OUTPS2 | T2OUTPS1 | T2OUTPS0 | TMR2ON  | T2CKPS1 | T2CKPS0 | 76                    |
| PR2    | Timer2 Period Register |           |          |          |          |         |         |         | 76                    |

**Legend:** — = unimplemented, read as '0'. Shaded cells are not used by the Timer2 module.



## 15.0 TIMER3/5/7 MODULES

The Timer3/5/7 timer/counter modules incorporate these features:

- Software-selectable operation as a 16-bit timer or counter
- Readable and writable 8-bit registers (TMRxH and TMRxL)
- Selectable clock source (internal or external) with device clock or SOSC oscillator internal options
- Interrupt-on-overflow
- Module Reset on ECCP Special Event Trigger

Timer7 is unimplemented for devices with a program memory of 32 Kbytes (PIC18FX5K90).

**Note:** Throughout this section, generic references are used for register and bit names that are the same, except for an 'x' variable that indicates the item's association with the Timer3, Timer5 or Timer7 module. For example, the control register is named TxCON and refers to T3CON, T5CON and T7CON.

A simplified block diagram of the Timer3/5/7 module is shown in [Figure 15-1](#).

The Timer3/5/7 module is controlled through the TxCON register ([Register 15-1](#)). It also selects the clock source options for the ECCP modules. (For more information, see [Section 19.1.1 "ECCP Module and Timer Resources"](#).)

The FOSC clock source should not be used with the ECCP capture/compare features. If the timer will be used with the capture or compare features, always select one of the other timer clocking options.

# PIC18F87K90 FAMILY

## REGISTER 15-1: TxCON: TIMER3/5/7 CONTROL REGISTER

| R/W-0   | R/W-0   | R/W-0   | R/W-0   | R/W-0  | R/W-0                      | R/W-0 | R/W-0  |
|---------|---------|---------|---------|--------|----------------------------|-------|--------|
| TMRxCS1 | TMRxCS0 | TxCKPS1 | TxCKPS0 | SOSCEN | $\overline{\text{TxsYNC}}$ | RD16  | TMRxON |
| bit 7   |         |         |         |        |                            |       | bit 0  |

### Legend:

R = Readable bit

W = Writable bit

U = Unimplemented bit, read as '0'

-n = Value at POR

'1' = Bit is set

'0' = Bit is cleared

x = Bit is unknown

- bit 7-6 **TMRxCS<1:0>**: Timerx Clock Source Select bits  
 10 = The Timer1 clock source is either a pin or an oscillator depending on the SOSCEN bit.  
SOSCEN = 0:  
 External clock is from the T1CKI pin (on the rising edge).  
SOSCEN = 1:  
 Crystal oscillator is on the SOSC1/SOSCO pins.  
 01 = Timerx clock source is the system clock (Fosc)<sup>(1)</sup>  
 00 = Timerx clock source is the instruction clock (Fosc/4)
- bit 5-4 **TxCKPS<1:0>**: Timerx Input Clock Prescale Select bits  
 11 = 1:8 Prescale value  
 10 = 1:4 Prescale value  
 01 = 1:2 Prescale value  
 00 = 1:1 Prescale value
- bit 3 **SOSCEN**: SOSC Oscillator Enable bit  
 1 = SOSC is enabled for Timerx (based on SOSCSEL fuses)  
 0 = SOSC is disabled for Timerx
- bit 2 **TxsYNC**: Timerx External Clock Input Synchronization Control bit  
 (Not usable if the device clock comes from Timer1/Timer3.)  
When TMRxCS<1:0> = 10:  
 1 = Do not synchronize external clock input  
 0 = Synchronize external clock input  
When TMRxCS<1:0> = 0x:  
 This bit is ignored; Timer3 uses the internal clock.
- bit 1 **RD16**: 16-Bit Read/Write Mode Enable bit  
 1 = Enables register read/write of Timerx in one 16-bit operation  
 0 = Enables register read/write of Timerx in two 8-bit operations
- bit 0 **TMRxON**: Timerx On bit  
 1 = Enables Timerx  
 0 = Stops Timerx

**Note 1:** The Fosc clock source should not be selected if the timer will be used with the ECCP capture/compare features.

## 15.1 Timer3/5/7 Gate Control Register

The Timer3/5/7 Gate Control register (TxGCON), provided in Register 14-2, is used to control the Timerx gate.

### REGISTER 15-2: TxGCON: TIMER3/5/7 GATE CONTROL REGISTER<sup>(1)</sup>

|        |        |       |        |              |        |        |        |
|--------|--------|-------|--------|--------------|--------|--------|--------|
| R/W-0  | R/W-0  | R/W-0 | R/W-0  | R/W-0        | R-x    | R/W-0  | R/W-0  |
| TMRxGE | TxGPOL | TxGTM | TxGSPM | TxGGO/TxDONE | TxGVAL | TxGSS1 | TxGSS0 |
| bit 7  |        |       |        |              |        |        | bit 0  |

#### Legend:

|                   |                  |                                    |
|-------------------|------------------|------------------------------------|
| R = Readable bit  | W = Writable bit | U = Unimplemented bit, read as '0' |
| -n = Value at POR | '1' = Bit is set | '0' = Bit is cleared               |
|                   |                  | x = Bit is unknown                 |

- bit 7      **TMRxGE:** Timerx Gate Enable bit  
If TMRxON = 0:  
This bit is ignored.  
If TMRxON = 1:  
1 = Timerx counting is controlled by the Timerx gate function  
0 = Timerx counts regardless of the Timerx gate function
- bit 6      **TxGPOL:** Timerx Gate Polarity bit  
1 = Timerx gate is active-high (Timerx counts when the gate is high)  
0 = Timerx gate is active-low (Timerx counts when the gate is low)
- bit 5      **TxGTM:** Timerx Gate Toggle Mode bit  
1 = Timerx Gate Toggle mode is enabled.  
0 = Timerx Gate Toggle mode is disabled and toggle flip-flop is cleared  
Timerx gate flip-flop toggles on every rising edge.
- bit 4      **TxGSPM:** Timerx Gate Single Pulse Mode bit  
1 = Timerx Gate Single Pulse mode is enabled and is controlling the Timerx gate  
0 = Timerx Gate Single Pulse mode is disabled
- bit 3      **TxGGO/TxDONE:** Timerx Gate Single Pulse Acquisition Status bit  
1 = Timerx gate single pulse acquisition is ready, waiting for an edge  
0 = Timerx gate single pulse acquisition has completed or has not been started  
This bit is automatically cleared when TxGSPM is cleared.
- bit 2      **TxGVAL:** Timerx Gate Current State bit  
Indicates the current state of the Timerx gate that could be provided to TMRxH:TMRxL. Unaffected by the Timerx Gate Enable (TMRxGE) bit.
- bit 1-0    **TxGSS<1:0>:** Timerx Gate Source Select bits  
11 = Comparator 2 output  
10 = Comparator 1 output  
01 = TMR(x + 1) to match PR(x + 1) output<sup>(2)</sup>  
00 = Timer1 gate pin  
Watchdog Timer oscillator is turned on if TMRxGE = 1, regardless of the state of TMRxON.

- Note 1:** Programming the TxGCON prior to TxCON is recommended.  
**Note 2:** Timer(x+1) will be Timer4/6/8 or Timerx Timer3/5/7, respectively.

# PIC18F87K90 FAMILY

## REGISTER 15-3: OSCCON2: OSCILLATOR CONTROL REGISTER 2

|       |         |     |     |        |     |        |         |
|-------|---------|-----|-----|--------|-----|--------|---------|
| U-0   | R-0     | U-0 | U-0 | R/W-0  | U-0 | R-x    | R/W-0   |
| —     | SOSCRUN | —   | —   | SOSCGO | —   | MFIOFS | MFIOSEL |
| bit 7 |         |     |     |        |     |        | bit 0   |

### Legend:

R = Readable bit

W = Writable bit

U = Unimplemented bit, read as '0'

-n = Value at POR

'1' = Bit is set

'0' = Bit is cleared

x = Bit is unknown

bit 7 **Unimplemented:** Read as '0'

bit 6 **SOSCRUN:** SOSC Run Status bit

1 = System clock comes from a secondary SOSC

0 = System clock comes from an oscillator other than SOSC

bit 5-4 **Unimplemented:** Read as '0'

bit 3 **SOSCGO:** Oscillator Start Control bit

1 = Oscillator is running even if no other sources are requesting it

0 = Oscillator is shut off if no other sources are requesting it (When the SOSC is selected to run from a digital clock input, rather than an external crystal, this bit has no effect.)

bit 2 **Unimplemented:** Read as '0'

bit 1 **MFIOFS:** MF-INTOSC Frequency Stable bit

1 = MF-INTOSC is stable

0 = MF-INTOSC is not stable

bit 0 **MFIOSEL:** MF-INTOSC Select bit

1 = MF-INTOSC is used in place of HF-INTOSC frequencies of 500 kHz, 250 kHz and 31.25 kHz

0 = MF-INTOSC is not used

# PIC18F87K90 FAMILY

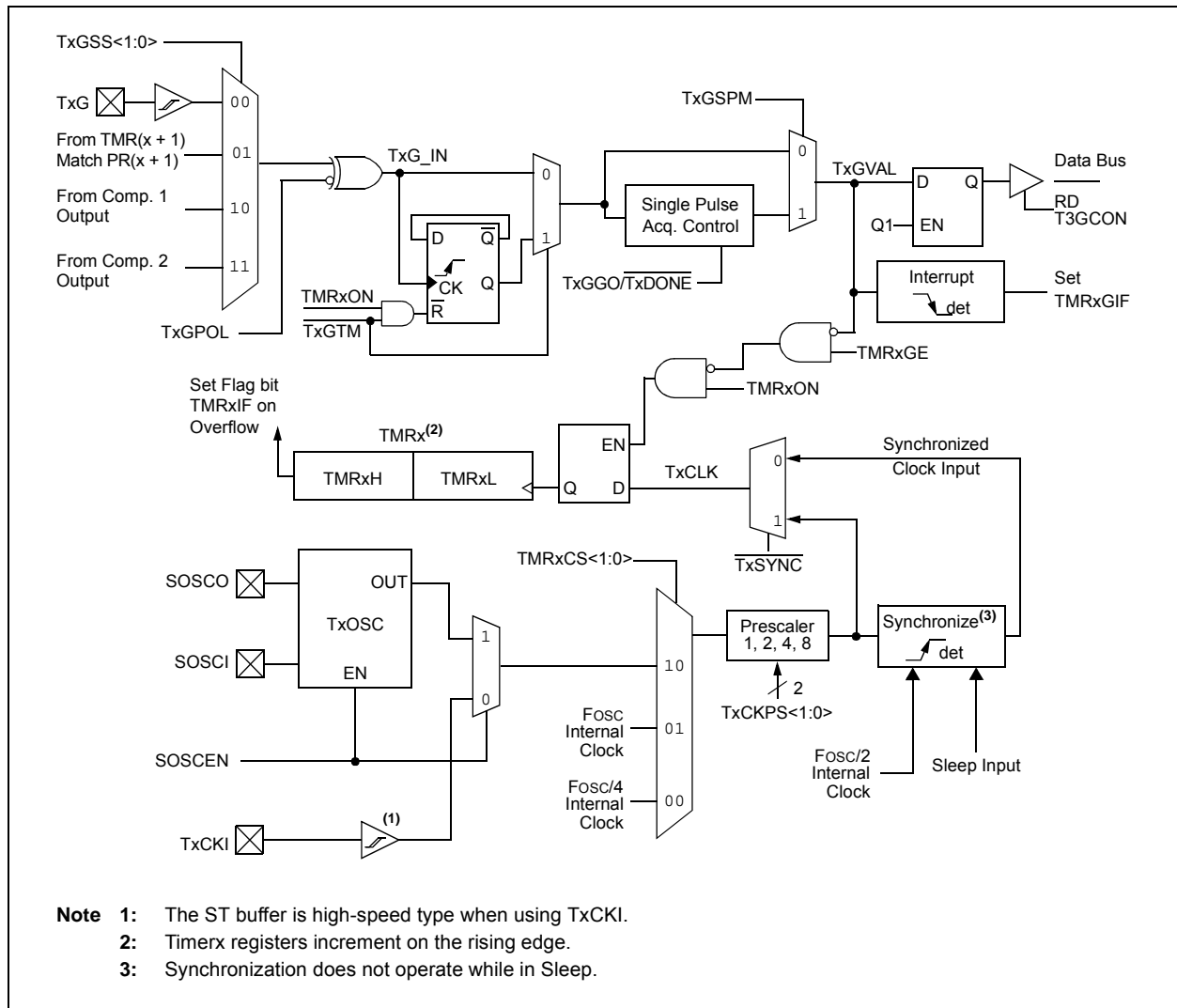
## 15.2 Timer3/5/7 Operation

Timer3, Timer5 and Timer7 can operate in these modes:

- Timer
- Synchronous Counter
- Asynchronous Counter
- Timer with Gated Control

The operating mode is determined by the clock select bits, TMRxCSx (TxCON<7:6>). When the TMRxCSx bits are cleared (= 00), Timer3/5/7 increments on every internal instruction cycle (Fosc/4). When TMRxCSx = 01, the Timer3/5/7 clock source is the system clock (Fosc), and when it is '10', Timer3/5/7 works as a counter from the external clock on the TxCKI pin (on the rising edge after the first falling edge) or the SOSC oscillator.

**FIGURE 15-1: TIMER3/5/7 BLOCK DIAGRAM**



# PIC18F87K90 FAMILY

## 15.3 Timer3/5/7 16-Bit Read/Write Mode

Timer3/5/7 can be configured for 16-bit reads and writes (see [Figure 15.3](#)). When the RD16 control bit (TxCON<1>) is set, the address for TMRxH is mapped to a buffer register for the high byte of Timer3/5/7. A read from TMRxL will load the contents of the high byte of Timer3/5/7 into the Timerx High Byte Buffer register. This provides users with the ability to accurately read all 16 bits of Timer3/5/7 without having to determine whether a read of the high byte, followed by a read of the low byte, has become invalid due to a rollover between reads.

A write to the high byte of Timer3/5/7 must also take place through the TMRxH Buffer register. The Timer3/5/7 high byte is updated with the contents of TMRxH when a write occurs to TMRxL. This allows users to write all 16 bits to both the high and low bytes of Timer3/5/7 at once.

The high byte of Timer3/5/7 is not directly readable or writable in this mode. All reads and writes must take place through the Timerx High Byte Buffer register.

Writes to TMRxH do not clear the Timer3/5/7 prescaler. The prescaler is only cleared on writes to TMRxL.

## 15.4 Using the SOSC Oscillator as the Timer3/5/7 Clock Source

The SOSC internal oscillator may be used as the clock source for Timer3/5/7. The SOSC oscillator is enabled by setting one of five bits: any of the four SOSCEN bits in the TxCON registers (TxCON<3>) or the SOSCEN bit in the OSCCON2 register (OSCCON2<3>). To use it as the Timer3/5/7 clock source, the TMRxCS bit must also be set. As previously noted, this also configures Timer3/5/7 to increment on every rising edge of the oscillator source.

The SOSC oscillator is described in [Section 13.0 “Timer1 Module”](#).

## 15.5 Timer3/5/7 Gates

Timer3/5/7 can be configured to count freely or the count can be enabled and disabled using the Timer3/5/7 gate circuitry. This is also referred to as the Timer3/5/7 gate count enable.

The Timer3/5/7 gate can also be driven by multiple selectable sources.

### 15.5.1 TIMER3/5/7 GATE COUNT ENABLE

The Timerx Gate Enable mode is enabled by setting the TMRxGE bit (TxGCON<7>). The polarity of the Timerx Gate Enable mode is configured using the TxGPOL bit (TxGCON<6>).

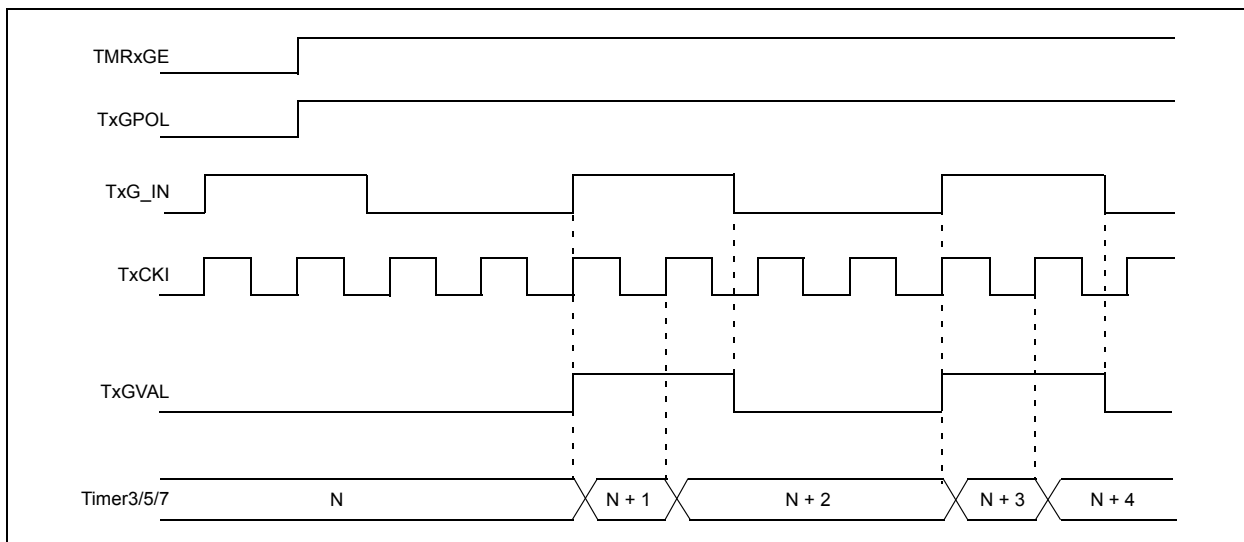
When Timerx Gate Enable mode is enabled, Timer3/5/7 will increment on the rising edge of the Timer3/5/7 clock source. When Timerx Gate Enable mode is disabled, no incrementing will occur and Timer3/5/7 will hold the current count. See [Figure 15-2](#) for timing details.

**TABLE 15-1: TIMER3/5/7 GATE ENABLE SELECTIONS**

| TxCLK <sup>(†)</sup> | TxGPOL (TxGCON<6>) | TxG Pin | Timerx Operation |
|----------------------|--------------------|---------|------------------|
| ↑                    | 0                  | 0       | Counts           |
| ↑                    | 0                  | 1       | Holds Count      |
| ↑                    | 1                  | 0       | Holds Count      |
|                      | 1                  | 1       | Counts           |

† The clock on which TMR3/5/7 is running. For more information, see TxCLK in [Figure 15-1](#).

**FIGURE 15-2: TIMER3/5/7 GATE COUNT ENABLE MODE**



## 15.5.2 TIMER3/5/7 GATE SOURCE SELECTION

The Timer3/5/7 gate source can be selected from one of four different sources. Source selection is controlled by the TxGSS<1:0> bits (TxGCON<1:0>). The polarity for each available source is also selectable and is controlled by the TxGPOL bit (TxGCON <6>).

**TABLE 15-2: TIMER3/5/7 GATE SOURCES**

| TxGSS<1:0> | Timerx Gate Source  |
|------------|---|
| 00         | Timerx Gate Pin   |
| 01         | TMR(x + 1) to Match PR(x + 1)<br>(TMR(x + 1) increments to match PR(x + 1)) |
| 10         | Comparator 1 Output<br>(Comparator logic high output)                       |
| 11         | Comparator 2 Output<br>(Comparator logic high output)                       |

### 15.5.2.1 TxG Pin Gate Operation

The TxG pin is one source for Timer3/5/7 gate control. It can be used to supply an external source to the Timerx gate circuitry.

### 15.5.2.2 Timer4/6/8 Match Gate Operation

The Timer4/6/8 register will increment until it matches the value in the PRx register. On the very next increment cycle, TMRx will be reset to 00h. When this Reset occurs, a low-to-high pulse will automatically be generated and internally supplied to the Timerx gate circuitry. The pulse will remain high for one instruction cycle and will return back to a low state until the next match.

Depending on TxGPOL, Timerx increments differently when TMR(x + 1) matches PR(x + 1). When TxGPOL = 1, Timerx increments for a single instruction cycle following a TMR(x + 1) match with PR(x + 1). When TxGPOL = 0, Timerx increments continuously except for the cycle following the match when the gate signal goes from low-to-high.

### 15.5.2.3 Comparator 1 Output Gate Operation

The output of Comparator 1 can be internally supplied to the Timerx gate circuitry. After setting up Comparator 1 with the CM1CON register, Timerx will increment depending on the transitions of the CMP1OUT (CMSTAT<5>) bit.

### 15.5.2.4 Comparator 2 Output Gate Operation

The output of Comparator 2 can be internally supplied to the Timerx gate circuitry. After setting up Comparator 2 with the CM2CON register, Timerx will increment depending on the transitions of the CMP2OUT (CMSTAT<6>) bit.

## 15.5.3 TIMER3/5/7 GATE TOGGLE MODE

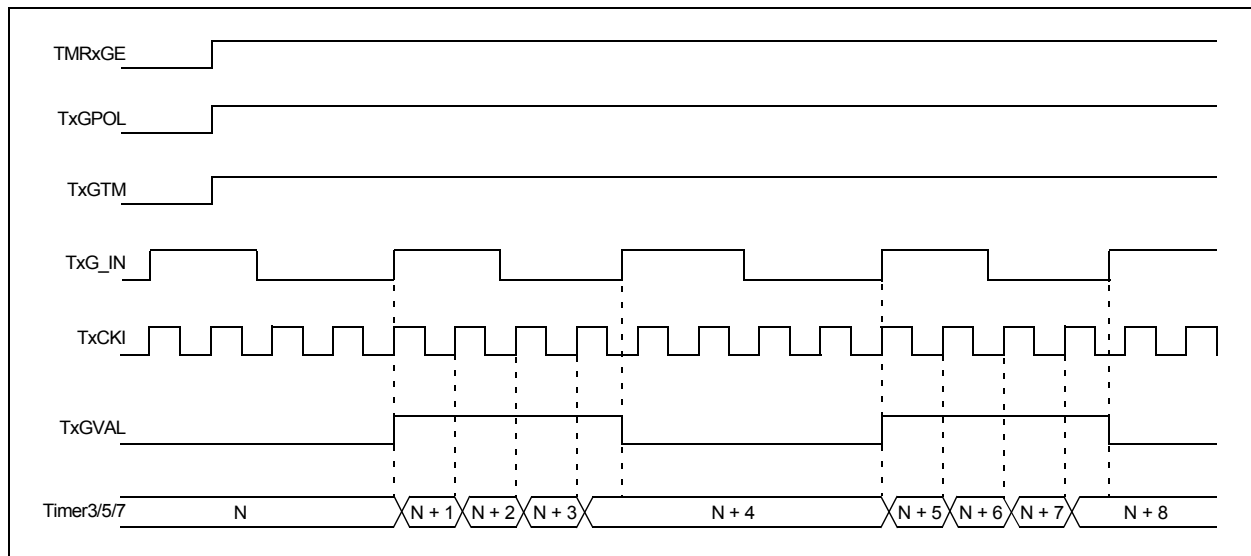
When Timer3/5/7 Gate Toggle mode is enabled, it is possible to measure the full cycle length of a Timer3/5/7 gate signal, as opposed to the duration of a single level pulse.

The Timerx gate source is routed through a flip-flop that changes state on every incrementing edge of the signal. (For timing details, see [Figure 15-3](#).)

The TxGVAL bit will indicate when the Toggled mode is active and the timer is counting.

Timer3/5/7 Gate Toggle mode is enabled by setting the TxGTM bit (TxGCON<5>). When the TxGTM bit is cleared, the flip-flop is cleared and held clear. This is necessary in order to control which edge is measured.

**FIGURE 15-3: TIMER3/5/7 GATE TOGGLE MODE**



# PIC18F87K90 FAMILY

## 15.5.4 TIMER3/5/7 GATE SINGLE PULSE MODE

When Timer3/5/7 Gate Single Pulse mode is enabled, it is possible to capture a single pulse gate event. Timer3/5/7 Gate Single Pulse mode is first enabled by setting the TxGSPM bit (TxGCON<4>). Next, the TxGGO/TxDONE bit (TxGCON<3>) must be set.

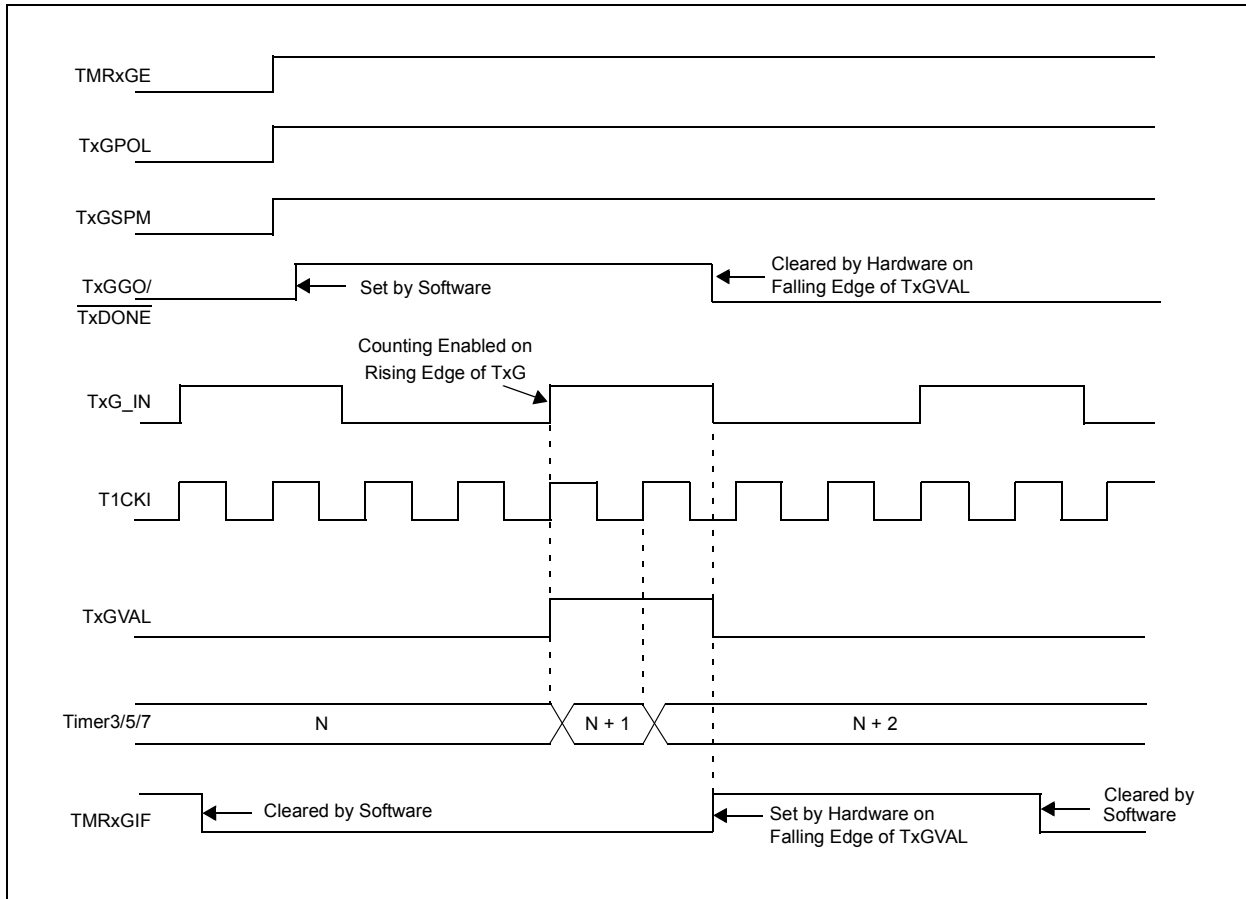
The Timer3/5/7 will be fully enabled on the next incrementing edge. On the next trailing edge of the pulse, the TxGGO/TxDONE bit will automatically be cleared.

No other gate events will be allowed to increment Timer3/5/7 until the TxGGO/TxDONE bit is once again set in software.

Clearing the TxGSPM bit also will clear the TxGGO/TxDONE bit. (For timing details, see [Figure 15-4](#).)

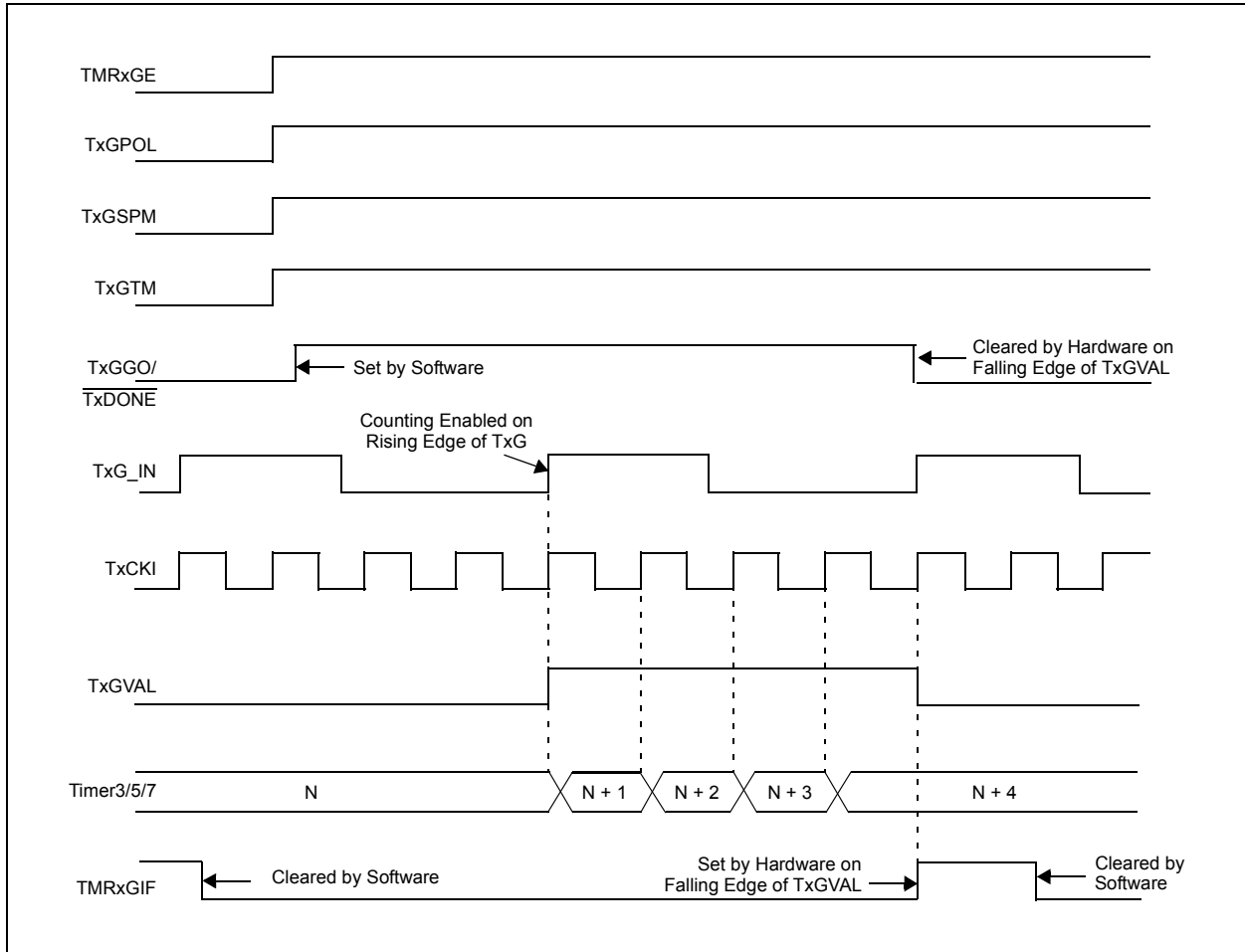
Simultaneously enabling the Toggle mode and the Single Pulse mode will permit both sections to work together. This allows the cycle times on the Timer3/5/7 gate source to be measured. (For timing details, see [Figure 15-5](#).)

**FIGURE 15-4: TIMER3/5/7 GATE SINGLE PULSE MODE**





**FIGURE 15-5: TIMER3/5/7 GATE SINGLE PULSE AND TOGGLE COMBINED MODE**



## 15.5.5 TIMER3/5/7 GATE VALUE STATUS

When Timer3/5/7 gate value status is utilized, it is possible to read the most current level of the gate control value. The value is stored in the TxGVAL bit (TxGCON<2>). The TxGVAL bit is valid even when the Timer3/5/7 gate is not enabled (TMRxGE bit is cleared).

## 15.5.6 TIMER3/5/7 GATE EVENT INTERRUPT

When the Timer3/5/7 gate event interrupt is enabled, it is possible to generate an interrupt upon the completion of a gate event. When the falling edge of TxGVAL occurs, the TMRxGIF flag bit in the PIRx register will be set. If the TMRxGIE bit in the PIRx register is set, then an interrupt will be recognized.

The TMRxGIF flag bit operates even when the Timer3/5/7 gate is not enabled (TMRxGE bit is cleared).

# PIC18F87K90 FAMILY

## 15.6 Timer3/5/7 Interrupt

The TMRx register pair (TMRxH:TMRxL) increments from 0000h to FFFFh and overflows to 0000h. The Timerx interrupt, if enabled, is generated on overflow and is latched in the interrupt flag bit, TMRxIF. [Table 15-3](#) gives each module's flag bit.

**TABLE 15-3: TIMER3/5/7 INTERRUPT FLAG BITS**

| Timer Module | Flag Bit |
|--------------|----------|
| 3            | PIR2<1>  |
| 5            | PIR5<1>  |
| 7            | PIR5<3>  |

This interrupt can be enabled or disabled by setting or clearing the TMRxIE bit, respectively. [Table 15-4](#) gives each module's enable bit.

**TABLE 15-4: TIMER3/5/7 INTERRUPT ENABLE BITS**

| Timer Module | Flag Bit |
|--------------|----------|
| 3            | PIE2<1>  |
| 5            | PIE5<1>  |
| 7            | PIE5<3>  |

## 15.7 Resetting Timer3/5/7 Using the ECCP Special Event Trigger

If the ECCP modules are configured to use Timerx and to generate a Special Event Trigger in Compare mode (CCPxM<3:0> = 1011), this signal will reset Timerx. The trigger from ECCP2 will also start an A/D conversion if the A/D module is enabled. (For more information, see [Section 19.3.4 "Special Event Trigger"](#).)

The module must be configured as either a timer or synchronous counter to take advantage of this feature. When used this way, the CCPRxH:CCPRxL register pair effectively becomes a Period register for Timerx.

If Timerx is running in Asynchronous Counter mode, the Reset operation may not work.

In the event that a write to Timerx coincides with a Special Event Trigger from an ECCP module, the write will take precedence.

**Note:** The Special Event Triggers from the ECCPx module will only clear the TMR3 register's content, but not set the TMR3IF interrupt flag bit (PIR1<0>).

**Note:** The CCP and ECCP modules use Timers, 1 through 8, for some modes. The assignment of a particular timer to a CCP/ECCP module is determined by the Timer to CCP enable bits in the CCPTMRSx registers. For more details, see [Register 19-2](#), [Register 18-2](#) and [Register 18-3](#).

# PIC18F87K90 FAMILY

**TABLE 15-5: REGISTERS ASSOCIATED WITH TIMER3/5/7 AS A TIMER/COUNTER**

| Name                  | Bit 7                     | Bit 6                  | Bit 5                  | Bit 4    | Bit 3                 | Bit 2               | Bit 1   | Bit 0   | Reset Values on Page: |
|-----------------------|---------------------------|------------------------|------------------------|----------|-----------------------|---------------------|---------|---------|-----------------------|
| INTCON                | GIE/GIEH                  | PEIE/GIEL              | TMR0IE                 | INT0IE   | RBIE                  | TMR0IF              | INT0IF  | RBIF    | 75                    |
| PIR5                  | TMR7GIF <sup>(1)</sup>    | TMR12IF <sup>(1)</sup> | TMR10IF <sup>(1)</sup> | TMR8IF   | TMR7IF <sup>(1)</sup> | TMR6IF              | TMR5IF  | TMR4IF  | 77                    |
| PIE5                  | TMR7GIE <sup>(1)</sup>    | TMR12IE <sup>(1)</sup> | TMR10IE <sup>(1)</sup> | TMR8IE   | TMR7IE <sup>(1)</sup> | TMR6IE              | TMR5IE  | TMR4IE  | 77                    |
| PIR2                  | OSCFIF                    | —                      | SSP2IF                 | BCL2IF   | BCL1IF                | HLVDIF              | TMR3IF  | TMR3GIF | 77                    |
| PIE2                  | OSCFIE                    | —                      | SSP2IE                 | BCL2IE   | BCL1IE                | HLVDIE              | TMR3IE  | TMR3GIE | 77                    |
| PIR3                  | TMR5GIF <sup>(1)</sup>    | LCDIF                  | RC2IF                  | TX2IF    | CTMUIF                | CCP2IF              | CCP1IF  | RTCCIF  | 77                    |
| PIE3                  | TMR5GIE <sup>(1)</sup>    | LCDIE                  | RC2IE                  | TX2IE    | CTMUIE                | CCP2IE              | CCP1IE  | RTCCIE  | 77                    |
| TMR3H                 | Timer3 Register High Byte |                        |                        |          |                       |                     |         |         | 77                    |
| TMR3L                 | Timer3 Register Low Byte  |                        |                        |          |                       |                     |         |         | 77                    |
| T3GCON                | TMR3GE                    | T3GPOL                 | T3GTM                  | T3GSPM   | T3GGO/<br>T3DONE      | T3GVAL              | T3GSS1  | T3GSS0  | 77                    |
| T3CON                 | TMR3CS1                   | TMR3CS0                | T3CKPS1                | T3CKPS0  | SOSCEN                | $\overline{T3SYNC}$ | RD16    | TMR3ON  | 77                    |
| TMR5H                 | Timer5 Register High Byte |                        |                        |          |                       |                     |         |         | 82                    |
| TMR5L                 | Timer5 Register Low Byte  |                        |                        |          |                       |                     |         |         | 82                    |
| T5GCON                | TMR5GE                    | T5GPOL                 | T5GTM                  | T5GSPM   | T5GGO/<br>T5DONE      | T5GVAL              | T5GSS1  | T5GSS0  | 82                    |
| T5CON                 | TMR5CS1                   | TMR5CS0                | T5CKPS1                | T5CKPS0  | SOSCEN                | $\overline{T5SYNC}$ | RD16    | TMR5ON  | 82                    |
| TMR7H <sup>(1)</sup>  | Timer7 Register High Byte |                        |                        |          |                       |                     |         |         | 81                    |
| TMR7L <sup>(1)</sup>  | Timer7 Register Low Byte  |                        |                        |          |                       |                     |         |         | 81                    |
| T7GCON <sup>(1)</sup> | TMR7GE                    | T7GPOL                 | T7GTM                  | T7GSPM   | T7GGO/<br>T7DONE      | T7GVAL              | T7GSS1  | T7GSS0  | 81                    |
| T7CON <sup>(1)</sup>  | TMR7CS1                   | TMR7CS0                | T7CKPS1                | T7CKPS0  | SOSCEN                | $\overline{T7SYNC}$ | RD16    | TMR7ON  | 81                    |
| OSCCON2               | —                         | SOSCRUN                | —                      | —        | SOSCGO                | —                   | MFIOFS  | MFIOSEL | 79                    |
| CCPTMRS0              | C3TSEL1                   | C3TSEL0                | C2TSEL2                | C2TSEL1  | C2TSEL0               | C1TSEL2             | C1TSEL1 | C1TSEL0 | 81                    |
| CCPTMRS1              | C7TSEL1                   | C7TSEL0                | —                      | C6TSEL0  | —                     | C5TSEL0             | C4TSEL1 | C4TSEL0 | 81                    |
| CCPTMRS1              | —                         | —                      | —                      | C10TSEL0 | —                     | C9TSEL0             | C8TSEL1 | C8TSEL0 | 81                    |

**Legend:** — = unimplemented, read as '0'. Shaded cells are not used by the Timer3/5/7 modules.

**Note 1:** Unimplemented in devices with a program memory of 32 Kbytes (PIC18FX5K90).

# PIC18F87K90 FAMILY

---

NOTES:

## 16.0 TIMER4/6/8/10/12 MODULES

The Timer4/6/8/10/12 timer modules have the following features:

- 8-Bit Timer register (TMRx)
- 8-Bit Period register (PRx)
- Readable and writable (all registers)
- Software programmable prescaler (1:1, 1:4, 1:16)
- Software programmable postscaler (1:1 to 1:16)
- Interrupt on TMRx match of PRx

Timer10 and Timer12 are unimplemented for devices with a program memory of 32 Kbytes (PIC18FX5K90).

**Note:** Throughout this section, generic references are used for register and bit names that are the same, except for an 'x' variable that indicates the item's association with the Timer4, Timer6, Timer8, Timer10 or Timer12 module. For example, the control register is named TxCON and refers to T4CON, T6CON, T8CON, T10CON and T12CON.

The Timer4/6/8/10/12 modules have a control register, which is shown in [Register 16-1](#). Timer4/6/8/10/12 can be shut off by clearing control bit, TMRxON (TxCON<2>), to minimize power consumption. The prescaler and postscaler selection of Timer4/6/8/10/12 are also controlled by this register. [Figure 16-1](#) is a simplified block diagram of the Timer4/6/8/10/12 modules.

## 16.1 Timer4/6/8/10/12 Operation

Timer4/6/8/10/12 can be used as the PWM time base for the PWM mode of the ECCP modules. The TMRx registers are readable and writable, and are cleared on any device Reset. The input clock (Fosc/4) has a prescale option of 1:1, 1:4 or 1:16, selected by control bits, TxCKPS<1:0> (TxCON<1:0>). The match output of TMRx goes through a 4-bit postscaler (that gives a 1:1 to 1:16 inclusive scaling) to generate a TMRx interrupt, latched in the flag bit, TMRxIF. [Table 16-1](#) shows each module's flag bit.

**TABLE 16-1: TIMER4/6/8/10/12 FLAG BITS**

| Timer Module | Flag Bit PIR5<x> | Timer Module | Flag Bit PIR5<x> |
|--------------|------------------|--------------|------------------|
| 4            | 0                | 10           | 5                |
| 6            | 2                | 12           | 6                |
| 8            | 4                |              |                  |

The interrupt can be enabled or disabled by setting or clearing the Timerx Interrupt Enable bit (TMRxIE), shown in [Table 16-2](#).

**TABLE 16-2: TIMER4/6/8/10/12 INTERRUPT ENABLE BITS**

| Timer Module | Flag Bit PIE5<x> | Timer Module | Flag Bit PIE5<x> |
|--------------|------------------|--------------|------------------|
| 4            | 0                | 10           | 5                |
| 6            | 2                | 12           | 6                |
| 8            | 4                |              |                  |

The prescaler and postscaler counters are cleared when any of the following occurs:

- A write to the TMRx register
- A write to the TxCON register
- Any device Reset (Power-on Reset (POR),  $\overline{\text{MCLR}}$  Reset, Watchdog Timer Reset (WDTR) or Brown-out Reset (BOR))

A TMRx is not cleared when a TxCON is written.

**Note:** The CCP and ECCP modules use Timers, 1 through 8, for some modes. The assignment of a particular timer to a CCP/ECCP module is determined by the Timer to CCP enable bits in the CCPTMRSx registers. For more details, see [Register 19-2](#), [Register 18-2](#) and [Register 18-3](#).

# PIC18F87K90 FAMILY

## REGISTER 16-1: TxCON: TIMER4/6/8/10/12 CONTROL REGISTER

|       |          |          |          |          |        |         |         |
|-------|----------|----------|----------|----------|--------|---------|---------|
| U-0   | R/W-0    | R/W-0    | R/W-0    | R/W-0    | R/W-0  | R/W-0   | R/W-0   |
| —     | TxOUTPS3 | TxOUTPS2 | TxOUTPS1 | TxOUTPS0 | TMRxON | TxCKPS1 | TxCKPS0 |
| bit 7 |          |          |          |          |        |         | bit 0   |

### Legend:

R = Readable bit

W = Writable bit

U = Unimplemented bit, read as '0'

-n = Value at POR

'1' = Bit is set

'0' = Bit is cleared

x = Bit is unknown

- bit 7      **Unimplemented:** Read as '0'
- bit 6-3    **TxOUTPS<3:0>:** Timerx Output Postscale Select bits  
           0000 = 1:1 Postscale  
           0001 = 1:2 Postscale  
           •  
           •  
           •  
           1111 = 1:16 Postscale
- bit 2      **TMRxON:** Timerx On bit  
           1 = Timerx is on  
           0 = Timerx is off
- bit 1-0    **TxCKPS<1:0>:** Timerx Clock Prescale Select bits  
           00 = Prescaler is 1  
           01 = Prescaler is 4  
           1x = Prescaler is 16

# PIC18F87K90 FAMILY

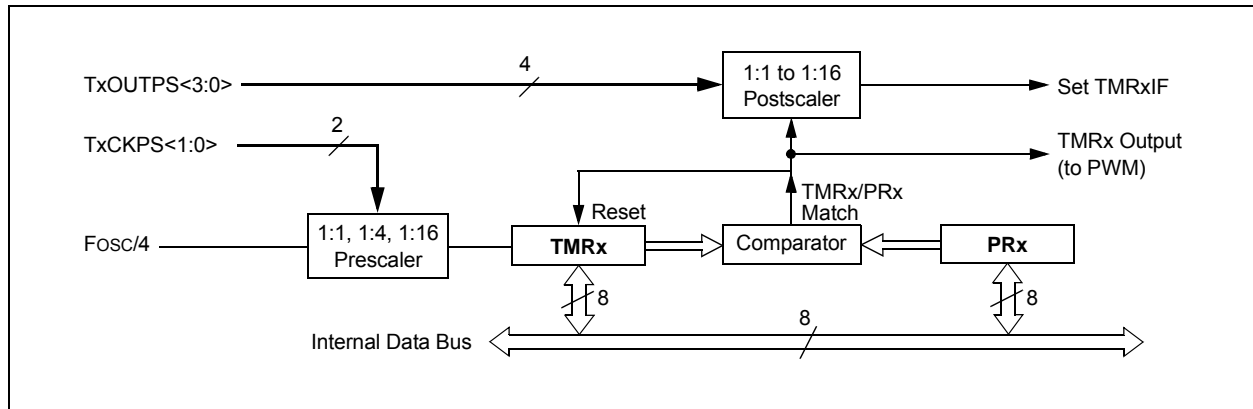
## 16.2 Timer4/6/8/10/12 Interrupt

The Timer4/6/8/10/12 modules have 8-bit Period registers, PRx, that are both readable and writable. Timer4/6/8/10/12 increment from 00h until they match PR4/6/8/10/12 and then reset to 00h on the next increment cycle. The PRx registers are initialized to FFh upon Reset.

## 16.3 Output of TMRx

The outputs of TMRx (before the postscaler) are used only as a PWM time base for the ECCP modules. They are not used as baud rate clocks for the MSSP modules as is the Timer2 output.

**FIGURE 16-1: TIMER4/6/8/10/12 BLOCK DIAGRAM**



**TABLE 16-3: REGISTERS ASSOCIATED WITH TIMER4/6/8/10/12 AS A TIMER/COUNTER**

| Name     | Bit 7                   | Bit 6                  | Bit 5                  | Bit 4                   | Bit 3                 | Bit 2                  | Bit 1    | Bit 0    | Reset Values on Page: |
|----------|-------------------------|------------------------|------------------------|-------------------------|-----------------------|------------------------|----------|----------|-----------------------|
| INTCON   | GIE/GIEH                | PEIE/GIEL              | TMR0IE                 | INT0IE                  | RBIE                  | TMR0IF                 | INT0IF   | RBIF     | 75                    |
| IPR5     | TMR7GIP <sup>(1)</sup>  | TMR12IP <sup>(1)</sup> | TMR10IP <sup>(1)</sup> | TMR8IP                  | TMR7IP <sup>(1)</sup> | TMR6IP                 | TMR5IP   | TMR4IP   | 76                    |
| PIR5     | TMR7GIF <sup>(1)</sup>  | TMR12IF <sup>(1)</sup> | TMR10IF <sup>(1)</sup> | TMR8IF                  | TMR7IF <sup>(1)</sup> | TMR6IF                 | TMR5IF   | TMR4IF   | 77                    |
| PIE5     | TMR7GIE <sup>(1)</sup>  | TMR12IE <sup>(1)</sup> | TMR10IE <sup>(1)</sup> | TMR8IE                  | TMR7IE <sup>(1)</sup> | TMR6IE                 | TMR5IE   | TMR4IE   | 77                    |
| TMR4     | Timer4 Register         |                        |                        |                         |                       |                        |          |          | 82                    |
| T4CON    | —                       | T4OUTPS3               | T4OUTPS2               | T4OUTPS1                | T4OUTPS0              | TMR4ON                 | T4CKPS1  | T4CKPS0  | 82                    |
| PR4      | Timer4 Period Register  |                        |                        |                         |                       |                        |          |          | 82                    |
| TMR6     | Timer6 Register         |                        |                        |                         |                       |                        |          |          | 81                    |
| T6CON    | —                       | T6OUTPS3               | T6OUTPS2               | T6OUTPS1                | T6OUTPS0              | TMR6ON                 | T6CKPS1  | T6CKPS0  | 81                    |
| PR6      | Timer6 Period Register  |                        |                        |                         |                       |                        |          |          | 81                    |
| TMR8     | Timer8 Register         |                        |                        |                         |                       |                        |          |          | 81                    |
| T8CON    | —                       | T8OUTPS3               | T8OUTPS2               | T8OUTPS1                | T8OUTPS0              | TMR8ON                 | T8CKPS1  | T8CKPS0  | 81                    |
| PR8      | Timer8 Period Register  |                        |                        |                         |                       |                        |          |          | 81                    |
| TMR10    | Timer10 Register        |                        |                        |                         |                       |                        |          |          | 81                    |
| T10CON   | —                       | T10OUTPS3              | T10OUTPS2              | T10OUTPS1               | T10OUTPS0             | TMR10ON                | T10CKPS1 | T10CKPS0 | 81                    |
| PR10     | Timer10 Period Register |                        |                        |                         |                       |                        |          |          | 81                    |
| TMR12    | Timer12 Register        |                        |                        |                         |                       |                        |          |          | 81                    |
| T12CON   | —                       | T12OUTPS3              | T12OUTPS2              | T12OUTPS1               | T12OUTPS0             | TMR12ON                | T12CKPS1 | T12CKPS0 | 81                    |
| PR12     | Timer12 Period Register |                        |                        |                         |                       |                        |          |          | 81                    |
| CCPTMRS0 | C3TSEL1                 | C3TSEL0                | C2TSEL2                | C2TSEL1                 | C2TSEL0               | C1TSEL2                | C1TSEL1  | C1TSEL0  | 81                    |
| CCPTMRS1 | C7TSEL1                 | C7TSEL0                | —                      | C6TSEL0                 | —                     | C5TSEL0                | C4TSEL1  | C4TSEL0  | 81                    |
| CCPTMRS2 | —                       | —                      | —                      | C10TSEL0 <sup>(1)</sup> | —                     | C9TSEL0 <sup>(1)</sup> | C8TSEL1  | C8TSEL0  | 81                    |

**Legend:** — = unimplemented, read as '0'. Shaded cells are not used by the Timer4/6/8/10/12 module.

**Note 1:** Unimplemented in devices with a program memory of 32 Kbytes (PIC18FX5K22).

# PIC18F87K90 FAMILY

---

NOTES:



## 17.0 REAL-TIME CLOCK AND CALENDAR (RTCC)

The key features of the Real-Time Clock and Calendar (RTCC) module are:

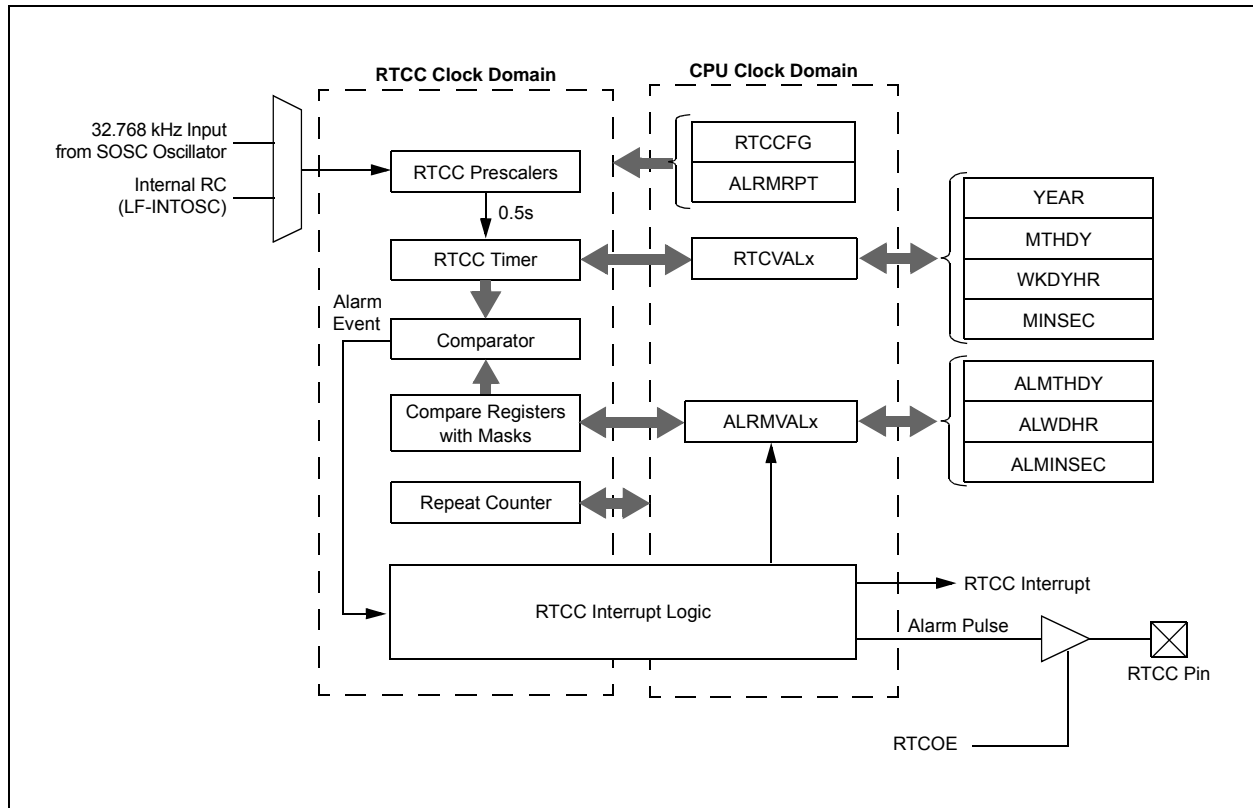
- Time: hours, minutes and seconds
- Twenty-four hour format (military time)
- Calendar: weekday, date, month and year
- Alarm configurable
- Year range: 2000 to 2099
- Leap year correction
- BCD format for compact firmware
- Optimized for low-power operation
- User calibration with auto-adjust
- Calibration range:  $\pm 2.64$  seconds error per month
- Requirements: external 32.768 kHz clock crystal
- Alarm pulse or seconds clock output on RTCC pin

The RTCC module is intended for applications where accurate time must be maintained for an extended period with minimum to no intervention from the CPU. The module is optimized for low-power usage in order to provide extended battery life while keeping track of time.

The module is a 100-year clock and calendar with automatic leap year detection. The range of the clock is from 00:00:00 (midnight) on January 1, 2000 to 23:59:59 on December 31, 2099.

Hours are measured in 24-hour (military time) format. The clock provides a granularity of one second with half-second visibility to the user.

**FIGURE 17-1: RTCC BLOCK DIAGRAM**



# PIC18F87K90 FAMILY

---

## 17.1 RTCC MODULE REGISTERS

The RTCC module registers are divided into the following categories:

### RTCC Control Registers

- RTCCFG
- RTCCAL
- PADCFG1
- ALRMCFG
- ALRMRPT

### RTCC Value Registers

- RTCVALH
- RTCVALL

Both registers access the following registers:

- YEAR
- MONTH
- DAY
- WEEKDAY
- HOUR
- MINUTE
- SECOND

### Alarm Value Registers

- ALRMVALH
- ALRMVALL

Both registers access the following registers:

- ALRMMNTH
- ALRMDAY
- ALRMWD
- ALRMHR
- ALRMMIN
- ALRMSEC

**Note:** The RTCVALH and RTCVALL registers can be accessed through RTCRPT<1:0> (RTCCFG<1:0>). ALRMVALH and ALRMVALL can be accessed through ALRMPTR<1:0> (ALRMCFG<1:0>).

# PIC18F87K90 FAMILY

## 17.1.1 RTCC CONTROL REGISTERS

### REGISTER 17-1: RTCCFG: RTCC CONFIGURATION REGISTER<sup>(1)</sup>

|                      |     |                        |         |                        |       |         |         |
|----------------------|-----|------------------------|---------|------------------------|-------|---------|---------|
| R/W-0                | U-0 | R/W-0                  | R-0     | R-0                    | R/W-0 | R/W-0   | R/W-0   |
| RTCEN <sup>(2)</sup> | —   | RTCWREN <sup>(4)</sup> | RTCSYNC | HALFSEC <sup>(3)</sup> | RTCOE | RTCPTR1 | RTCPTR0 |
| bit 7                |     |                        |         |                        |       |         | bit 0   |

#### Legend:

|                   |                  |                                    |
|-------------------|------------------|------------------------------------|
| R = Readable bit  | W = Writable bit | U = Unimplemented bit, read as '0' |
| -n = Value at POR | '1' = Bit is set | '0' = Bit is cleared               |
|                   |                  | x = Bit is unknown                 |

- bit 7      **RTCEN:** RTCC Enable bit<sup>(2)</sup>  
 1 = RTCC module is enabled  
 0 = RTCC module is disabled
- bit 6      **Unimplemented:** Read as '0'
- bit 5      **RTCWREN:** RTCC Value Registers Write Enable bit<sup>(4)</sup>  
 1 = RTCVALH and RTCVALL registers can be written to by the user  
 0 = RTCVALH and RTCVALL registers are locked out from being written to by the user
- bit 4      **RTCSYNC:** RTCC Value Registers Read Synchronization bit  
 1 = RTCVALH, RTCVALL and ALMRPT registers can change while reading if a rollover ripple results in an invalid data read. If the register is read twice and results in the same data, the data can be assumed to be valid.  
 0 = RTCVALH, RTCVALL and ALCFGRPT registers can be read without concern over a rollover ripple
- bit 3      **HALFSEC:** Half-Second Status bit<sup>(3)</sup>  
 1 = Second half period of a second  
 0 = First half period of a second
- bit 2      **RTCOE:** RTCC Output Enable bit  
 1 = RTCC clock output is enabled  
 0 = RTCC clock output is disabled
- bit 1-0    **RTCPTR<1:0>:** RTCC Value Register Window Pointer bits  
 Points to the corresponding RTCC Value registers when reading the RTCVALH and RTCVALL registers. The RTCPTR<1:0> value decrements on every read or write of RTCVALH<15:8> until it reaches '00'.
- RTCVALH:  
 00 = Minutes  
 01 = Weekday  
 10 = Month  
 11 = Reserved
- RTCVALL:  
 00 = Seconds  
 01 = Hours  
 10 = Day  
 11 = Year

- Note 1:** The RTCCFG register is only affected by a POR.  
**2:** A write to the RTCEN bit is only allowed when RTCWREN = 1.  
**3:** This bit is read-only; it is cleared to '0' on a write to the lower half of the MINSEC register.  
**4:** The RTCWREN bit can only be written with the unlock sequence (see [Example 17-1](#)).

# PIC18F87K90 FAMILY

## REGISTER 17-2: RTCCAL: RTCC CALIBRATION REGISTER

| R/W-0 | R/W-0 | R/W-0 | R/W-0 | R/W-0 | R/W-0 | R/W-0 | R/W-0 |
|-------|-------|-------|-------|-------|-------|-------|-------|
| CAL7  | CAL6  | CAL5  | CAL4  | CAL3  | CAL2  | CAL1  | CAL0  |
| bit 7 |       |       |       |       |       |       | bit 0 |

### Legend:

R = Readable bit                      W = Writable bit                      U = Unimplemented bit, read as '0'  
 -n = Value at POR                      '1' = Bit is set                      '0' = Bit is cleared                      x = Bit is unknown

bit 7-0                      **CAL<7:0>**: RTC Drift Calibration bits  
 01111111 = Maximum positive adjustment. Adds 508 RTC clock pulses every minute.  
 .  
 .  
 .  
 00000001 = Minimum positive adjustment. Adds four RTC clock pulses every minute.  
 00000000 = No adjustment  
 11111111 = Minimum negative adjustment. Subtracts four RTC clock pulses every minute.  
 .  
 .  
 .  
 10000000 = Maximum negative adjustment. Subtracts 512 RTC clock pulses every minute.

## REGISTER 17-3: PADCFG1: PAD CONFIGURATION REGISTER

| R/W-0 | R/W-0 | R/W-0               | U-0 | U-0 | R/W-0                    | R/W-0                    | U-0   |
|-------|-------|---------------------|-----|-----|--------------------------|--------------------------|-------|
| RDPU  | REPU  | RJPU <sup>(2)</sup> | —   | —   | RTSECSEL1 <sup>(1)</sup> | RTSECSEL0 <sup>(1)</sup> | —     |
| bit 7 |       |                     |     |     |                          |                          | bit 0 |

### Legend:

R = Readable bit                      W = Writable bit                      U = Unimplemented bit, read as '0'  
 -n = Value at POR                      '1' = Bit is set                      '0' = Bit is cleared                      x = Bit is unknown

bit 7                      **RDPU**: PORTD Pull-up Enable bit  
 1 = PORTD pull-up resistors are enabled by individual port latch values  
 0 = All PORTD pull-up resistors are disabled  
 bit 6                      **REPU**: PORTE Pull-up Enable bit  
 1 = PORTE pull-up resistors are enabled by individual port latch values  
 0 = All PORTE pull-up resistors are disabled  
 bit 5                      **RJPU**: PORTJ Pull-up Enable bit<sup>(2)</sup>  
 1 = PORTJ pull-up resistors are enabled by individual port latch values  
 0 = All PORTJ pull-up resistors are disabled  
 bit 4-3                      **Unimplemented**: Read as '0'  
 bit 2-1                      **RTSECSEL<1:0>**: RTCC Seconds Clock Output Select bits<sup>(1)</sup>  
 11 = Reserved; do not use  
 10 = RTCC source clock is selected for the RTCC pin (the pin can be LF-INTOSC or SOSC, depending on the RTCOSC (CONFIG3L<1>) bit setting)  
 01 = RTCC seconds clock is selected for the RTCC pin  
 00 = RTCC alarm pulse is selected for the RTCC pin  
 bit 0                      **Unimplemented**: Read as '0'

**Note 1:** To enable the actual RTCC output, the RTCOE (RTCCFG<2>) bit must be set.  
**Note 2:** Available only in 80-pin parts.

# PIC18F87K90 FAMILY

## REGISTER 17-4: ALRMCFG: ALARM CONFIGURATION REGISTER

| R/W-0  | R/W-0 | R/W-0  | R/W-0  | R/W-0  | R/W-0  | R/W-0    | R/W-0    |
|--------|-------|--------|--------|--------|--------|----------|----------|
| ALRMEN | CHIME | AMASK3 | AMASK2 | AMASK1 | AMASK0 | ALRMPTR1 | ALRMPTR0 |
| bit 7  |       |        |        |        |        |          | bit 0    |

### Legend:

R = Readable bit

W = Writable bit

U = Unimplemented bit, read as '0'

-n = Value at POR

'1' = Bit is set

'0' = Bit is cleared

x = Bit is unknown

- bit 7      **ALRMEN:** Alarm Enable bit  
 1 = Alarm is enabled (cleared automatically after an alarm event whenever ALRMPTR<1:0> = 00 and CHIME = 0)  
 0 = Alarm is disabled
- bit 6      **CHIME:** Chime Enable bit  
 1 = Chime is enabled; ALRMPTR<1:0> bits are allowed to roll over from 00h to FFh  
 0 = Chime is disabled; ALRMPTR<1:0> bits stop once they reach 00h
- bit 5-2    **AMASK<3:0>:** Alarm Mask Configuration bits  
 0000 = Every half second  
 0001 = Every second  
 0010 = Every 10 seconds  
 0011 = Every minute  
 0100 = Every 10 minutes  
 0101 = Every hour  
 0110 = Once a day  
 0111 = Once a week  
 1000 = Once a month  
 1001 = Once a year (except when configured for February 29<sup>th</sup>, once every four years)  
 101x = Reserved – Do not use  
 11xx = Reserved – Do not use
- bit 1-0    **ALRMPTR<1:0>:** Alarm Value Register Window Pointer bits  
 Points to the corresponding Alarm Value registers when reading the ALRMVALH and ALRMVALL registers. The ALRMPTR<1:0> value decrements on every read or write of ALRMVALH until it reaches '00'.  
ALRMVALH:  
 00 = ALRMMIN  
 01 = ALRMWD  
 10 = ALRMMNTH  
 11 = Unimplemented  
ALRMVALL:  
 00 = ALRMSEC  
 01 = ALRMHR  
 10 = ALRMDAY  
 11 = Unimplemented

# PIC18F87K90 FAMILY

## REGISTER 17-5: ALMRPT: ALARM REPEAT REGISTER

|       |       |       |       |       |       |       |       |
|-------|-------|-------|-------|-------|-------|-------|-------|
| R/W-0 | R/W-0 | R/W-0 | R/W-0 | R/W-0 | R/W-0 | R/W-0 | R/W-0 |
| ARPT7 | ARPT6 | ARPT5 | ARPT4 | ARPT3 | ARPT2 | ARPT1 | ARPT0 |
| bit 7 |       |       |       |       |       |       | bit 0 |

### Legend:

R = Readable bit                      W = Writable bit                      U = Unimplemented bit, read as '0'  
 -n = Value at POR                      '1' = Bit is set                      '0' = Bit is cleared                      x = Bit is unknown

bit 7-0                      **ARPT<7:0>**: Alarm Repeat Counter Value bits  
 11111111 = Alarm will repeat 255 more times  
 .  
 .  
 .  
 00000000 = Alarm will not repeat  
 The counter decrements on any alarm event. The counter is prevented from rolling over from 00h to FFh unless CHIME = 1.

## 17.1.2 RTCVALH AND RTCVALL REGISTER MAPPINGS

## REGISTER 17-6: RESERVED REGISTER

|       |     |     |     |     |     |     |       |
|-------|-----|-----|-----|-----|-----|-----|-------|
| U-0   | U-0 | U-0 | U-0 | U-0 | U-0 | U-0 | U-0   |
| —     | —   | —   | —   | —   | —   | —   | —     |
| bit 7 |     |     |     |     |     |     | bit 0 |

### Legend:

R = Readable bit                      W = Writable bit                      U = Unimplemented bit, read as '0'  
 -n = Value at POR                      '1' = Bit is set                      '0' = Bit is cleared                      x = Bit is unknown

bit 7-0                      **Unimplemented:** Read as '0'

# PIC18F87K90 FAMILY

## REGISTER 17-7: YEAR: YEAR VALUE REGISTER<sup>(1)</sup>

|        |        |        |        |        |        |        |        |
|--------|--------|--------|--------|--------|--------|--------|--------|
| R/W-x  | R/W-x  | R/W-x  | R/W-x  | R/W-x  | R/W-x  | R/W-x  | R/W-x  |
| YRTEN3 | YRTEN2 | YRTEN1 | YRTEN0 | YRONE3 | YRONE2 | YRONE1 | YRONE0 |
| bit 7  |        |        |        |        |        |        | bit 0  |

### Legend:

R = Readable bit                      W = Writable bit                      U = Unimplemented bit, read as '0'  
 -n = Value at POR                      '1' = Bit is set                      '0' = Bit is cleared                      x = Bit is unknown

bit 7-4                      **YRTEN<3:0>**: Binary Coded Decimal Value of Year's Tens Digit bits  
 Contains a value from 0 to 9.

bit 3-0                      **YRONE<3:0>**: Binary Coded Decimal Value of Year's Ones Digit bits  
 Contains a value from 0 to 9.

**Note 1:** A write to the YEAR register is only allowed when RTCWREN = 1.

## REGISTER 17-8: MONTH: MONTH VALUE REGISTER<sup>(1)</sup>

|       |     |     |         |         |         |         |         |
|-------|-----|-----|---------|---------|---------|---------|---------|
| U-0   | U-0 | U-0 | R/W-x   | R/W-x   | R/W-x   | R/W-x   | R/W-x   |
| —     | —   | —   | MHTTEN0 | MTHONE3 | MTHONE2 | MTHONE1 | MTHONE0 |
| bit 7 |     |     |         |         |         |         | bit 0   |

### Legend:

R = Readable bit                      W = Writable bit                      U = Unimplemented bit, read as '0'  
 -n = Value at POR                      '1' = Bit is set                      '0' = Bit is cleared                      x = Bit is unknown

bit 7-5                      **Unimplemented:** Read as '0'

bit 4                      **MHTTEN0**: Binary Coded Decimal Value of Month's Tens Digit bits  
 Contains a value of '0' or '1'.

bit 3-0                      **MTHONE<3:0>**: Binary Coded Decimal Value of Month's Ones Digit bits  
 Contains a value from 0 to 9.

**Note 1:** A write to this register is only allowed when RTCWREN = 1.

# PIC18F87K90 FAMILY

## REGISTER 17-9: DAY: DAY VALUE REGISTER<sup>(1)</sup>

|       |     |         |         |         |         |         |         |
|-------|-----|---------|---------|---------|---------|---------|---------|
| U-0   | U-0 | R/W-x   | R/W-x   | R/W-x   | R/W-x   | R/W-x   | R/W-x   |
| —     | —   | DAYTEN1 | DAYTEN0 | DAYONE3 | DAYONE2 | DAYONE1 | DAYONE0 |
| bit 7 |     |         |         |         |         |         | bit 0   |

### Legend:

R = Readable bit                      W = Writable bit                      U = Unimplemented bit, read as '0'  
 -n = Value at POR                      '1' = Bit is set                      '0' = Bit is cleared                      x = Bit is unknown

- bit 7-6            **Unimplemented:** Read as '0'
- bit 5-4            **DAYTEN<1:0>:** Binary Coded Decimal value of Day's Tens Digit bits  
Contains a value from 0 to 3.
- bit 3-0            **DAYONE<3:0>:** Binary Coded Decimal Value of Day's Ones Digit bits  
Contains a value from 0 to 9.

**Note 1:** A write to this register is only allowed when RTCWREN = 1.

## REGISTER 17-10: WEEKDAY: WEEKDAY VALUE REGISTER<sup>(1)</sup>

|       |     |     |     |     |       |       |       |
|-------|-----|-----|-----|-----|-------|-------|-------|
| U-0   | U-0 | U-0 | U-0 | U-0 | R/W-x | R/W-x | R/W-x |
| —     | —   | —   | —   | —   | WDAY2 | WDAY1 | WDAY0 |
| bit 7 |     |     |     |     |       |       | bit 0 |

### Legend:

R = Readable bit                      W = Writable bit                      U = Unimplemented bit, read as '0'  
 -n = Value at POR                      '1' = Bit is set                      '0' = Bit is cleared                      x = Bit is unknown

- bit 7-3            **Unimplemented:** Read as '0'
- bit 2-0            **WDAY<2:0>:** Binary Coded Decimal Value of Weekday Digit bits  
Contains a value from 0 to 6.

**Note 1:** A write to this register is only allowed when RTCWREN = 1.



# PIC18F87K90 FAMILY

## REGISTER 17-11: HOUR: HOUR VALUE REGISTER<sup>(1)</sup>

|       |     |        |        |        |        |        |        |
|-------|-----|--------|--------|--------|--------|--------|--------|
| U-0   | U-0 | R/W-x  | R/W-x  | R/W-x  | R/W-x  | R/W-x  | R/W-x  |
| —     | —   | HRTEN1 | HRTEN0 | HRONE3 | HRONE2 | HRONE1 | HRONE0 |
| bit 7 |     |        |        |        |        |        | bit 0  |

### Legend:

R = Readable bit                      W = Writable bit                      U = Unimplemented bit, read as '0'  
 -n = Value at POR                      '1' = Bit is set                      '0' = Bit is cleared                      x = Bit is unknown

bit 7-6                      **Unimplemented:** Read as '0'

bit 5-4                      **HRTEN<1:0>:** Binary Coded Decimal Value of Hour's Tens Digit bits  
 Contains a value from 0 to 2.

bit 3-0                      **HRONE<3:0>:** Binary Coded Decimal Value of Hour's Ones Digit bits  
 Contains a value from 0 to 9.

**Note 1:** A write to this register is only allowed when RTCWREN = 1.

## REGISTER 17-12: MINUTE: MINUTE VALUE REGISTER

|       |         |         |         |         |         |         |         |
|-------|---------|---------|---------|---------|---------|---------|---------|
| U-0   | R/W-x   | R/W-x   | R/W-x   | R/W-x   | R/W-x   | R/W-x   | R/W-x   |
| —     | MINTEN2 | MINTEN1 | MINTEN0 | MINONE3 | MINONE2 | MINONE1 | MINONE0 |
| bit 7 |         |         |         |         |         |         | bit 0   |

### Legend:

R = Readable bit                      W = Writable bit                      U = Unimplemented bit, read as '0'  
 -n = Value at POR                      '1' = Bit is set                      '0' = Bit is cleared                      x = Bit is unknown

bit 7                      **Unimplemented:** Read as '0'

bit 6-4                      **MINTEN<2:0>:** Binary Coded Decimal Value of Minute's Tens Digit bits  
 Contains a value from 0 to 5.

bit 3-0                      **MINONE<3:0>:** Binary Coded Decimal Value of Minute's Ones Digit bits  
 Contains a value from 0 to 9.

## REGISTER 17-13: SECOND: SECOND VALUE REGISTER

|       |         |         |         |         |         |         |         |
|-------|---------|---------|---------|---------|---------|---------|---------|
| U-0   | R/W-x   | R/W-x   | R/W-x   | R/W-x   | R/W-x   | R/W-x   | R/W-x   |
| —     | SECTEN2 | SECTEN1 | SECTEN0 | SECONE3 | SECONE2 | SECONE1 | SECONE0 |
| bit 7 |         |         |         |         |         |         | bit 0   |

### Legend:

R = Readable bit                      W = Writable bit                      U = Unimplemented bit, read as '0'  
 -n = Value at POR                      '1' = Bit is set                      '0' = Bit is cleared                      x = Bit is unknown

bit 7                      **Unimplemented:** Read as '0'

bit 6-4                      **SECTEN<2:0>:** Binary Coded Decimal Value of Second's Tens Digit bits  
 Contains a value from 0 to 5.

bit 3-0                      **SECONE<3:0>:** Binary Coded Decimal Value of Second's Ones Digit bits  
 Contains a value from 0 to 9.

# PIC18F87K90 FAMILY

## 17.1.3 ALRMVALH AND ALRMVALL REGISTER MAPPINGS

### REGISTER 17-14: ALRMMNTH: ALARM MONTH VALUE REGISTER<sup>(1)</sup>

|       |     |     |         |         |         |         |         |
|-------|-----|-----|---------|---------|---------|---------|---------|
| U-0   | U-0 | U-0 | R/W-x   | R/W-x   | R/W-x   | R/W-x   | R/W-x   |
| —     | —   | —   | MHTTEN0 | MTHONE3 | MTHONE2 | MTHONE1 | MTHONE0 |
| bit 7 |     |     |         |         |         |         | bit 0   |

**Legend:**

R = Readable bit                      W = Writable bit                      U = Unimplemented bit, read as '0'  
 -n = Value at POR                      '1' = Bit is set                      '0' = Bit is cleared                      x = Bit is unknown

- bit 7-5            **Unimplemented:** Read as '0'
- bit 4            **MHTTEN0:** Binary Coded Decimal Value of Month's Tens Digit bits  
Contains a value of '0' or '1'.
- bit 3-0           **MTHONE<3:0>:** Binary Coded Decimal Value of Month's Ones Digit bits  
Contains a value from 0 to 9.

**Note 1:** A write to this register is only allowed when RTCWREN = 1.

### REGISTER 17-15: ALRMDAY: ALARM DAY VALUE REGISTER<sup>(1)</sup>

|       |     |         |         |         |         |         |         |
|-------|-----|---------|---------|---------|---------|---------|---------|
| U-0   | U-0 | R/W-x   | R/W-x   | R/W-x   | R/W-x   | R/W-x   | R/W-x   |
| —     | —   | DAYTEN1 | DAYTEN0 | DAYONE3 | DAYONE2 | DAYONE1 | DAYONE0 |
| bit 7 |     |         |         |         |         |         | bit 0   |

**Legend:**

R = Readable bit                      W = Writable bit                      U = Unimplemented bit, read as '0'  
 -n = Value at POR                      '1' = Bit is set                      '0' = Bit is cleared                      x = Bit is unknown

- bit 7-6            **Unimplemented:** Read as '0'
- bit 5-4            **DAYTEN<1:0>:** Binary Coded Decimal Value of Day's Tens Digit bits  
Contains a value from 0 to 3.
- bit 3-0            **DAYONE<3:0>:** Binary Coded Decimal Value of Day's Ones Digit bits  
Contains a value from 0 to 9.

**Note 1:** A write to this register is only allowed when RTCWREN = 1.

# PIC18F87K90 FAMILY

## REGISTER 17-16: ALRMWD: ALARM WEEKDAY VALUE REGISTER<sup>(1)</sup>

|       |     |     |     |     |       |       |       |
|-------|-----|-----|-----|-----|-------|-------|-------|
| U-0   | U-0 | U-0 | U-0 | U-0 | R/W-x | R/W-x | R/W-x |
| —     | —   | —   | —   | —   | WDAY2 | WDAY1 | WDAY0 |
| bit 7 |     |     |     |     |       | bit 0 |       |

### Legend:

R = Readable bit                      W = Writable bit                      U = Unimplemented bit, read as '0'  
 -n = Value at POR                      '1' = Bit is set                      '0' = Bit is cleared                      x = Bit is unknown

bit 7-3                      **Unimplemented:** Read as '0'

bit 2-0                      **WDAY<2:0>:** Binary Coded Decimal Value of Weekday Digit bits  
 Contains a value from 0 to 6.

**Note 1:** A write to this register is only allowed when RTCWREN = 1.

## REGISTER 17-17: ALRMHR: ALARM HOURS VALUE REGISTER<sup>(1)</sup>

|       |     |        |        |        |        |        |        |
|-------|-----|--------|--------|--------|--------|--------|--------|
| U-0   | U-0 | R/W-x  | R/W-x  | R/W-x  | R/W-x  | R/W-x  | R/W-x  |
| —     | —   | HRTEN1 | HRTEN0 | HRONE3 | HRONE2 | HRONE1 | HRONE0 |
| bit 7 |     |        |        |        |        | bit 0  |        |

### Legend:

R = Readable bit                      W = Writable bit                      U = Unimplemented bit, read as '0'  
 -n = Value at POR                      '1' = Bit is set                      '0' = Bit is cleared                      x = Bit is unknown

bit 7-6                      **Unimplemented:** Read as '0'

bit 5-4                      **HRTEN<1:0>:** Binary Coded Decimal Value of Hour's Tens Digit bits  
 Contains a value from 0 to 2.

bit 3-0                      **HRONE<3:0>:** Binary Coded Decimal Value of Hour's Ones Digit bits  
 Contains a value from 0 to 9.

**Note 1:** A write to this register is only allowed when RTCWREN = 1.

# PIC18F87K90 FAMILY

## REGISTER 17-18: ALRMMIN: ALARM MINUTES VALUE REGISTER

| U-0   | R/W-x   | R/W-x   | R/W-x   | R/W-x   | R/W-x   | R/W-x   | R/W-x   |
|-------|---------|---------|---------|---------|---------|---------|---------|
| —     | MINTEN2 | MINTEN1 | MINTEN0 | MINONE3 | MINONE2 | MINONE1 | MINONE0 |
| bit 7 |         |         |         |         |         |         | bit 0   |

### Legend:

R = Readable bit                      W = Writable bit                      U = Unimplemented bit, read as '0'  
 -n = Value at POR                      '1' = Bit is set                      '0' = Bit is cleared                      x = Bit is unknown

- bit 7                      **Unimplemented:** Read as '0'
- bit 6-4                      **MINTEN<2:0>:** Binary Coded Decimal Value of Minute's Tens Digit bits  
 Contains a value from 0 to 5.
- bit 3-0                      **MINONE<3:0>:** Binary Coded Decimal Value of Minute's Ones Digit bits  
 Contains a value from 0 to 9.

## REGISTER 17-19: ALRMSEC: ALARM SECONDS VALUE REGISTER

| U-0   | R/W-x   | R/W-x   | R/W-x   | R/W-x   | R/W-x   | R/W-x   | R/W-x   |
|-------|---------|---------|---------|---------|---------|---------|---------|
| —     | SECTEN2 | SECTEN1 | SECTEN0 | SECONE3 | SECONE2 | SECONE1 | SECONE0 |
| bit 7 |         |         |         |         |         |         | bit 0   |

### Legend:

R = Readable bit                      W = Writable bit                      U = Unimplemented bit, read as '0'  
 -n = Value at POR                      '1' = Bit is set                      '0' = Bit is cleared                      x = Bit is unknown

- bit 7                      **Unimplemented:** Read as '0'
- bit 6-4                      **SECTEN<2:0>:** Binary Coded Decimal Value of Second's Tens Digit bits  
 Contains a value from 0 to 5.
- bit 3-0                      **SECONE<3:0>:** Binary Coded Decimal Value of Second's Ones Digit bits  
 Contains a value from 0 to 9.

## 17.1.4 RTCEN BIT WRITE

RTCWREN (RTCCFG<5>) must be set before a write to RTCEN can take place. Any write to the RTCEN bit, while RTCWREN = 0, will be ignored.

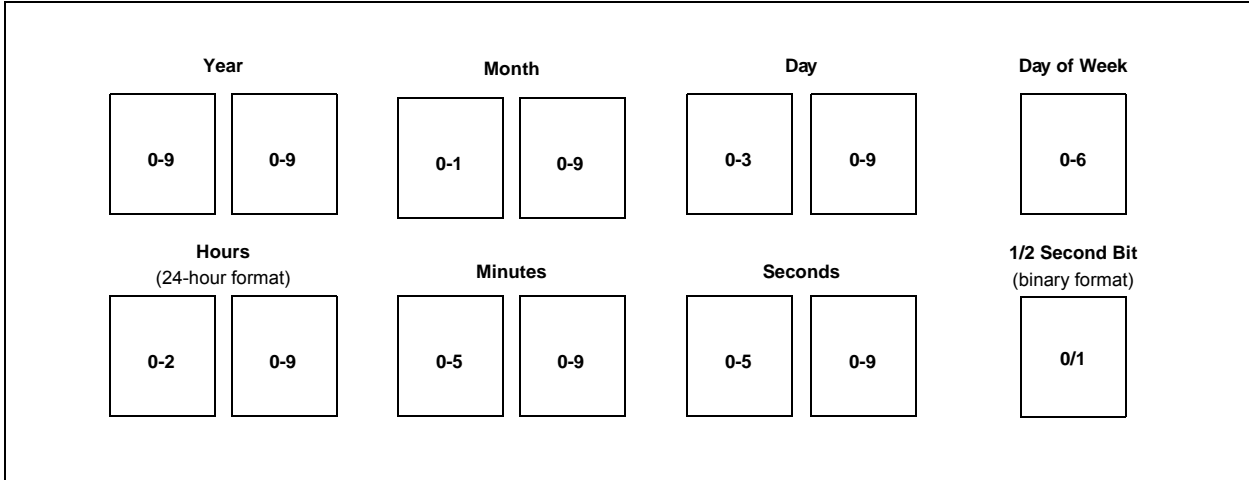
Like the RTCEN bit, the RTCVALH and RTCVALL registers can only be written to when RTCWREN = 1. A write to these registers, while RTCWREN = 0, will be ignored.

## 17.2 Operation

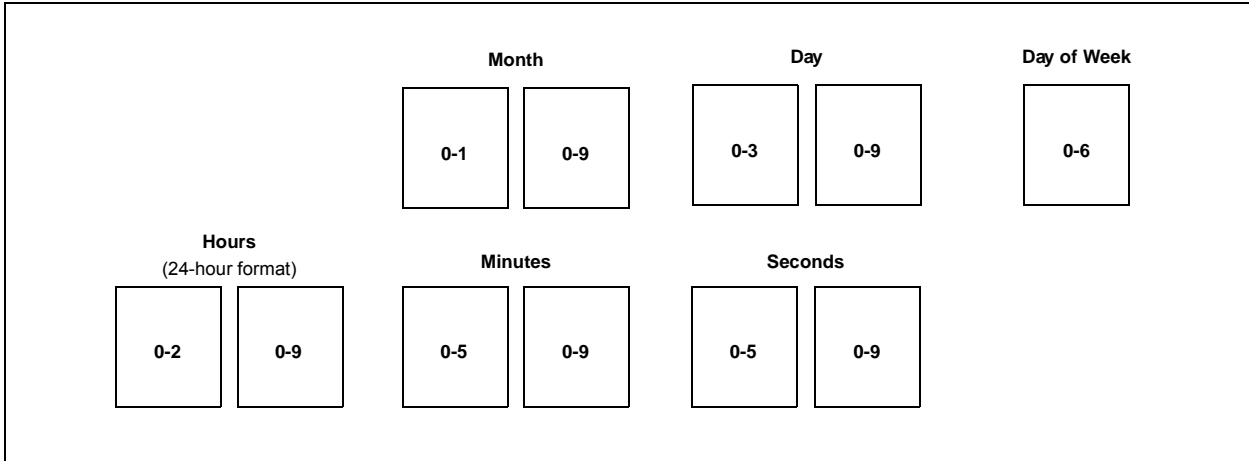
### 17.2.1 REGISTER INTERFACE

The register interface for the RTCC and alarm values is implemented using the Binary Coded Decimal (BCD) format. This simplifies the firmware when using the module as each of the digits is contained within its own 4-bit value (see [Figure 17-2](#) and [Figure 17-3](#)).

**FIGURE 17-2: TIMER DIGIT FORMAT**



**FIGURE 17-3: ALARM DIGIT FORMAT**



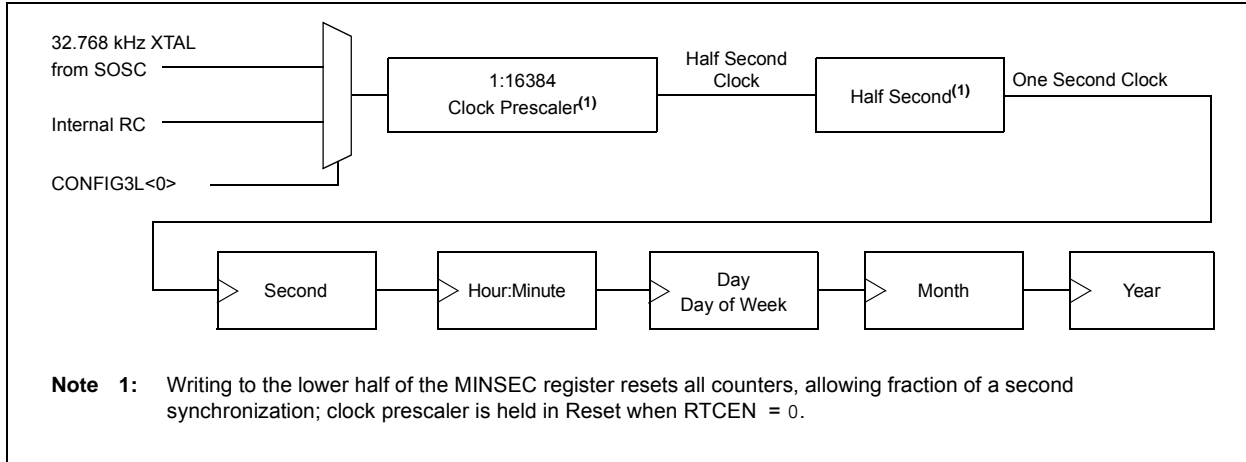
# PIC18F87K90 FAMILY

## 17.2.2 CLOCK SOURCE

As previously mentioned, the RTCC module is intended to be clocked by an external Real-Time Clock (RTC) crystal oscillating at 32.768 kHz, but an internal oscillator can be used. The RTCC clock selection is decided by the RTCOSC bit (CONFIG3L<0>).

Calibration of the crystal can be done through this module to yield an error of 3 seconds or less per month. (For further details, see [Section 17.2.9 “Calibration”](#).)

**FIGURE 17-4: CLOCK SOURCE MULTIPLEXING**



### 17.2.2.1 Real-Time Clock Enable

The RTCC module can be clocked by an external 32.768 kHz crystal (SOSC oscillator), or the LF-INTOSC oscillator, which can be selected in CONFIG3L<0>.

If the external clock is used, the SOSC oscillator should be enabled via the SOSCGO bit (OSCCON2<3>). If LF-INTOSC is providing the clock, the INTOSC clock can be brought out to the RTCC pin by the RTSEL<1:0> bits (PADCFG2<2:1>).

### 17.2.3 DIGIT CARRY RULES

This section explains which timer values are affected when there is a rollover:

- Time of Day: From 23:59:59 to 00:00:00 with a carry to the Day field
- Month: From 12/31 to 01/01 with a carry to the Year field
- Day of Week: From 6 to 0 with no carry (see [Table 17-1](#))
- Year Carry: From 99 to 00; this also surpasses the use of the RTCC

For the day-to-month rollover schedule, see [Table 17-2](#).

Because the following values are in BCD format, the carry to the upper BCD digit occurs at the count of 10, not 16 (SECONDS, MINUTES, HOURS, WEEKDAY, DAYS and MONTHS).

**TABLE 17-1: DAY OF WEEK SCHEDULE**

| Day of Week |   |
|-------------|---|
| Sunday      | 0 |
| Monday      | 1 |
| Tuesday     | 2 |
| Wednesday   | 3 |
| Thursday    | 4 |
| Friday      | 5 |
| Saturday    | 6 |

**TABLE 17-2: DAY-TO-MONTH ROLLOVER SCHEDULE**

| Month          | Maximum Day Field       |
|----------------|-------------------------|
| 01 (January)   | 31                      |
| 02 (February)  | 28 or 29 <sup>(1)</sup> |
| 03 (March)     | 31                      |
| 04 (April)     | 30                      |
| 05 (May)       | 31                      |
| 06 (June)      | 30                      |
| 07 (July)      | 31                      |
| 08 (August)    | 31                      |
| 09 (September) | 30                      |
| 10 (October)   | 31                      |
| 11 (November)  | 30                      |
| 12 (December)  | 31                      |

**Note 1:** See [Section 17.2.4 “Leap Year”](#).

## 17.2.4 LEAP YEAR

Since the year range on the RTCC module is 2000 to 2099, the leap year calculation is determined by any year divisible by four in the above range. Only February is affected in a leap year.

February will have 29 days in a leap year and 28 days in any other year.

## 17.2.5 GENERAL FUNCTIONALITY

All Timer registers containing a time value of seconds or greater are writable. The user configures the time by writing the required year, month, day, hour, minutes and seconds to the Timer registers, via Register Pointers. (See [Section 17.2.8 “Register Mapping”](#).)

The timer uses the newly written values and proceeds with the count from the required starting point.

The RTCC is enabled by setting the RTCEN bit (RTCCFG<7>). If enabled, while adjusting these registers, the timer still continues to increment. However, any time the MINSEC register is written to, both of the timer prescalers are reset to '0'. This allows fraction of a second synchronization.

The Timer registers are updated in the same cycle as the write instruction's execution by the CPU. The user must ensure that when RTCEN = 1, the updated registers will not be incremented at the same time. This can be accomplished in several ways:

- By checking the RTCSYNC bit (RTCCFG<4>)
- By checking the preceding digits from which a carry can occur
- By updating the registers immediately following the seconds pulse (or an alarm interrupt)

The user has visibility to the half-second field of the counter. This value is read-only and can be reset only by writing to the lower half of the SECONDS register.

## 17.2.6 SAFETY WINDOW FOR REGISTER READS AND WRITES

The RTCSYNC bit indicates a time window during which the RTCC Clock Domain registers can be safely read and written without concern about a rollover. When RTCSYNC = 0, the registers can be safely accessed by the CPU.

Whether RTCSYNC = 1 or 0, the user should employ a firmware solution to ensure that the data read did not fall on a rollover boundary, resulting in an invalid or partial read. This firmware solution would consist of reading each register twice and then comparing the two values. If the two values matched, then a rollover did not occur.

## 17.2.7 WRITE LOCK

In order to perform a write to any of the RTCC Timer registers, the RTCWREN bit (RTCCFG<5>) must be set.

To avoid accidental writes to the RTCC Timer register, it is recommended that the RTCWREN bit (RTCCFG<5>) be kept clear when not writing to the register. For the RTCWREN bit to be set, there is only one instruction cycle time window allowed between the 55h/AA sequence and the setting of RTCWREN. For that reason, it is recommended that users follow the code example in [Example 17-1](#).

### EXAMPLE 17-1: SETTING THE RTCWREN BIT

```

movlw    0x55
movwf    EECON2
movlw    0xAA
movwf    EECON2
bsf      RTCCFG, RTCWREN
    
```

## 17.2.8 REGISTER MAPPING

To limit the register interface, the RTCC Timer and Alarm Timer registers are accessed through corresponding Register Pointers. The RTCC Value register window (RTCVALH and RTCVALL) uses the RTCPTRx bits (RTCCFG<1:0>) to select the required Timer register pair.

By reading or writing to the RTCVALH register, the RTCC Pointer value (RTCPTR<1:0>) decrements by '1' until it reaches '00'. When '00' is reached, the MINUTES and SECONDS value is accessible through RTCVALH and RTCVALL until the pointer value is manually changed.

**TABLE 17-3: RTCVALH AND RTCVALL REGISTER MAPPING**

| RTCPTR<1:0> | RTCC Value Register Window |         |
|-------------|----------------------------|---------|
|             | RTCVALH                    | RTCVALL |
| 00          | MINUTES                    | SECONDS |
| 01          | WEEKDAY                    | HOURS   |
| 10          | MONTH                      | DAY     |
| 11          | —                          | YEAR    |

The Alarm Value register windows (ALRMVALH and ALRMVALL) use the ALRMPTR bits (ALRMCFG<1:0>) to select the desired alarm register pair.

By reading or writing to the ALRMVALH register, the Alarm Pointer value, ALRMPTR<1:0>, decrements by one until it reaches '00'. When it reaches '00', the ALRMMIN and ALRMSEC value is accessible through ALRMVALH and ALRMVALL until the pointer value is manually changed.

# PIC18F87K90 FAMILY

**TABLE 17-4: ALRMVAL REGISTER MAPPING**

| ALRMPTR<1:0> | Alarm Value Register Window |          |
|--------------|-----------------------------|----------|
|              | ALRMVALH                    | ALRMVALL |
| 00           | ALRMMIN                     | ALRMSEC  |
| 01           | ALRMWD                      | ALRMHR   |
| 10           | ALRMMNTH                    | ALRMDAY  |
| 11           | —                           | —        |

## 17.2.9 CALIBRATION

The real-time crystal input can be calibrated using the periodic auto-adjust feature. When properly calibrated, the RTCC can provide an error of less than three seconds per month.

To perform this calibration, find the number of error clock pulses and store the value into the lower half of the RTCCAL register. The 8-bit, signed value, loaded into RTCCAL, is multiplied by four and will be either added or subtracted from the RTCC timer, once every minute.

To calibrate the RTCC module:

1. Use another timer resource on the device to find the error of the 32.768 kHz crystal.
2. Convert the number of error clock pulses per minute (see [Equation 17-1](#)).

### EQUATION 17-1: CONVERTING ERROR CLOCK PULSES

$$\text{(Ideal Frequency (32,758) - Measured Frequency) * 60 = Error Clocks per Minute}$$

- If the oscillator is *faster* than ideal (negative result from Step 2), the RCFGCALL register value needs to be negative. This causes the specified number of clock pulses to be subtracted from the timer counter, once every minute.
  - If the oscillator is *slower* than ideal (positive result from Step 2), the RCFGCALL register value needs to be positive. This causes the specified number of clock pulses to be added to the timer counter, once every minute.
3. Load the RTCCAL register with the correct value.

Writes to the RTCCAL register should occur only when the timer is turned off or immediately after the rising edge of the seconds pulse.

**Note:** In determining the crystal's error value, it is the user's responsibility to include the crystal's initial error from drift due to temperature or crystal aging.

## 17.3 Alarm

The Alarm features and characteristics are:

- Configurable from half a second to one year
- Enabled using the ALRMEN bit (ALRMCFG<7>, [Register 17-4](#))
- Offers one-time and repeat alarm options

### 17.3.1 CONFIGURING THE ALARM

The alarm feature is enabled using the ALRMEN bit. This bit is cleared when an alarm is issued. The bit will not be cleared if the CHIME bit = 1 or if ALRMRPT ≠ 0.

The interval selection of the alarm is configured through the ALRMCFG bits (AMASK<3:0>) (see [Figure 17-5](#)). These bits determine which, and how many, digits of the alarm must match the clock value for the alarm to occur.

The alarm can also be configured to repeat based on a preconfigured interval. The number of times this occurs, after the alarm is enabled, is stored in the ALRMRPT register.

**Note:** While the alarm is enabled (ALRMEN = 1), changing any of the registers, other than the RTCCAL, ALRMCFG and ALRMRPT registers and the CHIME bit, can result in a false alarm event leading to a false alarm interrupt. To avoid this, only change the timer and alarm values while the alarm is disabled (ALRMEN = 0). It is recommended that the ALRMCFG and ALRMRPT registers and CHIME bit be changed when RTCSYNC = 0.



**FIGURE 17-5: ALARM MASK SETTINGS**

| Alarm Mask Setting<br>AMASK<3:0> | Day of the<br>Week                | Month   | Day   | Hours   | Minutes   | Seconds   |
|----------------------------------|-----------------------------------|---|---|---|---|---|
| 0000 – Every half second         | <input type="checkbox"/>          | <input type="checkbox"/> <input type="checkbox"/>                   | <input type="checkbox"/> <input type="checkbox"/>                   | <input type="checkbox"/> <input type="checkbox"/>                   | <input type="checkbox"/> <input type="checkbox"/>                   | <input type="checkbox"/> <input type="checkbox"/>                   |
| 0001 – Every second              | <input type="checkbox"/>          | <input type="checkbox"/> <input type="checkbox"/>                   | <input type="checkbox"/> <input type="checkbox"/>                   | <input type="checkbox"/> <input type="checkbox"/>                   | <input type="checkbox"/> <input type="checkbox"/>                   | <input type="checkbox"/> <input type="checkbox"/>                   |
| 0010 – Every 10 seconds          | <input type="checkbox"/>          | <input type="checkbox"/> <input type="checkbox"/>                   | <input type="checkbox"/> <input type="checkbox"/>                   | <input type="checkbox"/> <input type="checkbox"/>                   | <input type="checkbox"/> <input type="checkbox"/>                   | <input type="checkbox"/> <b>s</b>                                   |
| 0011 – Every minute              | <input type="checkbox"/>          | <input type="checkbox"/> <input type="checkbox"/>                   | <input type="checkbox"/> <input type="checkbox"/>                   | <input type="checkbox"/> <input type="checkbox"/>                   | <input type="checkbox"/> <input type="checkbox"/>                   | <input type="checkbox"/> <b>s</b> <input type="checkbox"/> <b>s</b> |
| 0100 – Every 10 minutes          | <input type="checkbox"/>          | <input type="checkbox"/> <input type="checkbox"/>                   | <input type="checkbox"/> <input type="checkbox"/>                   | <input type="checkbox"/> <input type="checkbox"/>                   | <input type="checkbox"/> <b>m</b>                                   | <input type="checkbox"/> <b>s</b> <input type="checkbox"/> <b>s</b> |
| 0101 – Every hour                | <input type="checkbox"/>          | <input type="checkbox"/> <input type="checkbox"/>                   | <input type="checkbox"/> <input type="checkbox"/>                   | <input type="checkbox"/> <input type="checkbox"/>                   | <input type="checkbox"/> <b>m</b> <input type="checkbox"/> <b>m</b> | <input type="checkbox"/> <b>s</b> <input type="checkbox"/> <b>s</b> |
| 0110 – Every day                 | <input type="checkbox"/>          | <input type="checkbox"/> <input type="checkbox"/>                   | <input type="checkbox"/> <input type="checkbox"/>                   | <input type="checkbox"/> <b>h</b> <input type="checkbox"/> <b>h</b> | <input type="checkbox"/> <b>m</b> <input type="checkbox"/> <b>m</b> | <input type="checkbox"/> <b>s</b> <input type="checkbox"/> <b>s</b> |
| 0111 – Every week                | <input type="checkbox"/> <b>d</b> | <input type="checkbox"/> <input type="checkbox"/>                   | <input type="checkbox"/> <input type="checkbox"/>                   | <input type="checkbox"/> <b>h</b> <input type="checkbox"/> <b>h</b> | <input type="checkbox"/> <b>m</b> <input type="checkbox"/> <b>m</b> | <input type="checkbox"/> <b>s</b> <input type="checkbox"/> <b>s</b> |
| 1000 – Every month               | <input type="checkbox"/>          | <input type="checkbox"/> <input type="checkbox"/>                   | <input type="checkbox"/> <b>d</b> <input type="checkbox"/> <b>d</b> | <input type="checkbox"/> <b>h</b> <input type="checkbox"/> <b>h</b> | <input type="checkbox"/> <b>m</b> <input type="checkbox"/> <b>m</b> | <input type="checkbox"/> <b>s</b> <input type="checkbox"/> <b>s</b> |
| 1001 – Every year <sup>(1)</sup> | <input type="checkbox"/>          | <input type="checkbox"/> <b>m</b> <input type="checkbox"/> <b>m</b> | <input type="checkbox"/> <b>d</b> <input type="checkbox"/> <b>d</b> | <input type="checkbox"/> <b>h</b> <input type="checkbox"/> <b>h</b> | <input type="checkbox"/> <b>m</b> <input type="checkbox"/> <b>m</b> | <input type="checkbox"/> <b>s</b> <input type="checkbox"/> <b>s</b> |

**Note 1:** Annually, except when configured for February 29.

When ALRMCFG = 00 and the CHIME bit = 0 (ALRMCFG<6>), the repeat function is disabled and only a single alarm will occur. The alarm can be repeated up to 255 times by loading the ALMRPT register with FFh.

After each alarm is issued, the ALMRPT register is decremented by one. Once the register has reached '00', the alarm will be issued one last time.

After the alarm is issued a last time, the ALRMEN bit is cleared automatically and the alarm is turned off. Indefinite repetition of the alarm can occur if the CHIME bit = 1.

When CHIME = 1, the alarm is not disabled when the ALMRPT register reaches '00', but it rolls over to FF and continues counting indefinitely.

### 17.3.2 ALARM INTERRUPT

At every alarm event, an interrupt is generated. Additionally, an alarm pulse output is provided that operates at half the frequency of the alarm.

The alarm pulse output is completely synchronous with the RTCC clock and can be used as a trigger clock to other peripherals. This output is available on the RTCC pin. The output pulse is a clock with a 50% duty cycle and a frequency half that of the alarm event (see [Figure 17-6](#)).

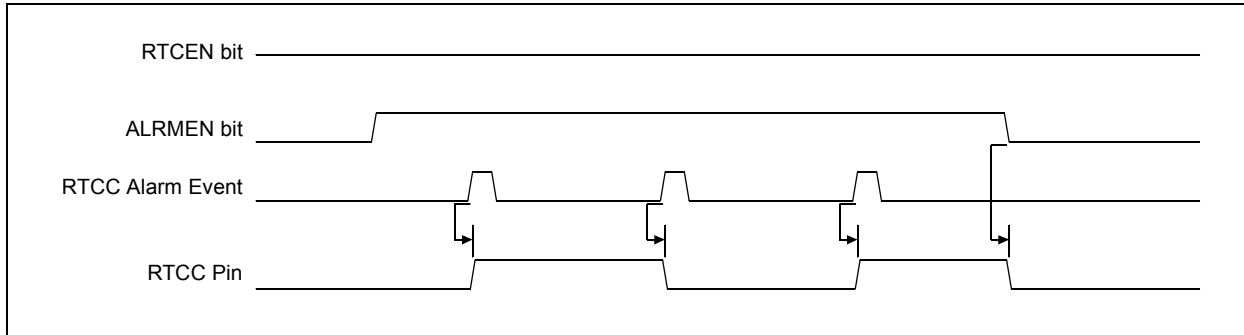
The RTCC pin also can output the seconds clock. The user can select between the alarm pulse, generated by the RTCC module, or the seconds clock output.

The RTSECSEL<1:0> bits (PADCFG1<2:1>) select between these two outputs:

- Alarm pulse – RTSECSEL<1:0> = 00
- Seconds clock – RTSECSEL<1:0> = 01

# PIC18F87K90 FAMILY

**FIGURE 17-6: TIMER PULSE GENERATION**



## 17.4 Sleep Mode

The timer and alarm continue to operate while in Sleep mode. The operation of the alarm is not affected by Sleep, as an alarm event can always wake up the CPU.

The Idle mode does not affect the operation of the timer or alarm.

## 17.5 Reset

### 17.5.1 DEVICE RESET

When a device Reset occurs, the ALMRPT register is forced to its Reset state, causing the alarm to be disabled (if enabled prior to the Reset). If the RTCC was enabled, it will continue to operate when a basic device Reset occurs.

### 17.5.2 POWER-ON RESET (POR)

The RTCCFG and ALMRPT registers are reset only on a POR. Once the device exits the POR state, the clock registers should be reloaded with the desired values.

The timer prescaler values can be reset only by writing to the SECONDS register. No device Reset can affect the prescalers.

# PIC18F87K90 FAMILY

## 17.6 Register Maps

Table 17-5, Table 17-6 and Table 17-7 summarize the registers associated with the RTCC module.

**TABLE 17-5: RTCC CONTROL REGISTERS**

| File Name | Bit 7  | Bit 6 | Bit 5               | Bit 4   | Bit 3   | Bit 2     | Bit 1     | Bit 0    | All Resets on Page: |
|-----------|--------|-------|---------------------|---------|---------|-----------|-----------|----------|---------------------|
| RTCCFG    | RTCEN  | —     | RTCWREN             | RTCSYNC | HALFSEC | RTCOE     | RTCPTR1   | RTCPTR0  | 80                  |
| RTCCAL    | CAL7   | CAL6  | CAL5                | CAL4    | CAL3    | CAL2      | CAL1      | CAL0     | 80                  |
| PADCFG1   | RDPU   | REPU  | RJPU <sup>(1)</sup> | —       | —       | RTSECSEL1 | RTSECSEL0 | —        | 80                  |
| ALRMCFG   | ALRMEN | CHIME | AMASK3              | AMASK2  | AMASK1  | AMASK0    | ALRMPTR1  | ALRMPTR0 | 80                  |
| ALMRPT    | ARPT7  | ARPT6 | ARPT5               | ARPT4   | ARPT3   | ARPT2     | ARPT1     | ARPT0    | 80                  |

**Legend:** — = unimplemented, read as '0'. Reset values are shown in hexadecimal for 80-pin devices.

**Note 1:** Not available on 64-pin devices.

**TABLE 17-6: RTCC VALUE REGISTERS**

| File Name | Bit 7  | Bit 6 | Bit 5 | Bit 4 | Bit 3 | Bit 2 | Bit 1 | Bit 0 | All Resets on Page: |
|-----------|--|-------|-------|-------|-------|-------|-------|-------|---------------------|
| RTCVALH   | RTCC Value High Register Window Based on RTCPTR<1:0> |       |       |       |       |       |       |       | 80                  |
| RTCVALL   | RTCC Value Low Register Window Based on RTCPTR<1:0>  |       |       |       |       |       |       |       | 80                  |

**Legend:** — = unimplemented, read as '0'. Reset values are shown in hexadecimal for 80-pin devices.

**TABLE 17-7: ALARM VALUE REGISTERS**

| File Name | Bit 7  | Bit 6 | Bit 5 | Bit 4 | Bit 3 | Bit 2 | Bit 1 | Bit 0 | All Resets on Page: |
|-----------|--|-------|-------|-------|-------|-------|-------|-------|---------------------|
| ALRMVALH  | Alarm Value High Register Window Based on ALRMPTR<1:0> |       |       |       |       |       |       |       | 80                  |
| ALRMVALL  | Alarm Value Low Register Window Based on ALRMPTR<1:0>  |       |       |       |       |       |       |       | 80                  |

**Legend:** — = unimplemented, read as '0'. Reset values are shown in hexadecimal for 80-pin devices.

# PIC18F87K90 FAMILY

---

NOTES:

# PIC18F87K90 FAMILY

## 18.0 CAPTURE/COMPARE/PWM (CCP) MODULES

PIC18F87K90 family devices have seven CCP (Capture/Compare/PWM) modules, designated CCP4 through CCP10. All the modules implement standard Capture, Compare and Pulse-Width Modulation (PWM) modes.

**Note:** Throughout this section, generic references are used for register and bit names that are the same, except for an 'x' variable that indicates the item's association with the specific CCP module. For example, the control register is named CCPxCON and refers to CCP4CON through CCP10CON.

Each CCP module contains a 16-bit register that can operate as a 16-bit Capture register, a 16-bit Compare register or a PWM Master/Slave Duty Cycle register. For the sake of clarity, all CCP module operation in the following sections is described with respect to CCP4, but is equally applicable to CCP5 through CCP10.

**Note:** The CCP9 and CCP10 modules are disabled on the devices with 32 Kbytes of program memory (PIC18FX5K90).

**REGISTER 18-1: CCPxCON: CCPx CONTROL REGISTER (CCP4-CCP10 MODULES)<sup>(1)</sup>**

|       |     |       |       |        |        |        |        |
|-------|-----|-------|-------|--------|--------|--------|--------|
| U-0   | U-0 | R/W-0 | R/W-0 | R/W-0  | R/W-0  | R/W-0  | R/W-0  |
| —     | —   | DCxB1 | DCxB0 | CCPxM3 | CCPxM2 | CCPxM1 | CCPxM0 |
| bit 7 |     |       |       |        |        |        | bit 0  |

**Legend:**

R = Readable bit                      W = Writable bit                      U = Unimplemented bit, read as '0'  
 -n = Value at POR                      '1' = Bit is set                      '0' = Bit is cleared                      x = Bit is unknown

bit 7-6                      **Unimplemented:** Read as '0'

bit 5-4                      **DCxB<1:0>:** PWM Duty Cycle for CCPx Module bits (bit 1, bit 0)

Capture mode:

Unused.

Compare mode:

Unused.

PWM mode:

These bits are the two Least Significant bits (bit 1 and bit 0) of the 10-bit PWM duty cycle. The eight Most Significant bits (DCxB<9:2>) of the duty cycle are found in CCPRxL.

bit 3-0                      **CCPxM<3:0>:** CCPx Module Mode Select bits

0000 = Capture/Compare/PWM disabled (resets CCPx module)

0001 = Reserved

0010 = Compare mode: toggle output on match (CCPxIF bit is set)

0011 = Reserved

0100 = Capture mode: every falling edge

0101 = Capture mode: every rising edge

0110 = Capture mode: every 4th rising edge

0111 = Capture mode: every 16th rising edge

1000 = Compare mode: initialize CCPx pin low; on compare match, force CCPx pin high (CCPxIF bit is set)

1001 = Compare mode: initialize CCPx pin high; on compare match, force CCPx pin low (CCPxIF bit is set)

1010 = Compare mode: generate software interrupt on compare match (CCPxIF bit is set, CCPx pin reflects I/O state)

1011 = Compare mode: Special Event Trigger; reset timer on CCPx match (CCPxIF bit is set)<sup>(2)</sup>

11xx = PWM mode

**Note 1:** The CCP9 and CCP10 modules are not available on devices with 32 Kbytes of program memory (PIC18FX5K90).

**2:** CCPxM<3:0> = 1011 will only reset the timer and not start the A/D conversion on a CCPx match.

# PIC18F87K90 FAMILY

## REGISTER 18-2: CCPTMRS1: CCPx TIMER SELECT REGISTER 1

|         |         |     |         |     |         |         |         |
|---------|---------|-----|---------|-----|---------|---------|---------|
| R/W-0   | R/W-0   | U-0 | R/W-0   | U-0 | R/W-0   | R/W-0   | R/W-0   |
| C7TSEL1 | C7TSEL0 | —   | C6TSEL0 | —   | C5TSEL0 | C4TSEL1 | C4TSEL0 |
| bit 7   |         |     |         |     |         |         | bit 0   |

### Legend:

R = Readable bit

W = Writable bit

U = Unimplemented bit, read as '0'

-n = Value at POR

'1' = Bit is set

'0' = Bit is cleared

x = Bit is unknown

bit 7-6      **C7TSEL<1:0>**: CCP7 Timer Selection bits

00 = CCP7 is based off of TMR1/TMR2

01 = CCP7 is based off of TMR5/TMR4

10 = CCP7 is based off of TMR5/TMR6

11 = CCP7 is based off of TMR5/TMR8

bit 5      **Unimplemented**: Read as '0'

bit 4      **C6TSEL0**: CCP6 Timer Selection bit

0 = CCP6 is based off of TMR1/TMR2

1 = CCP6 is based off of TMR5/TMR2

bit 3      **Unimplemented**: Read as '0'

bit 2      **C5TSEL0**: CCP5 Timer Selection bit

0 = CCP5 is based off of TMR1/TMR2

1 = CCP5 is based off of TMR5/TMR4

bit 1-0    **C4TSEL<1:0>**: CCP4 Timer Selection bits

00 = CCP4 is based off of TMR1/TMR2

01 = CCP4 is based off of TMR3/TMR4

10 = CCP4 is based off of TMR3/TMR6

11 = Reserved; do not use

# PIC18F87K90 FAMILY

**REGISTER 18-3: CCPTMRS2: CCPx TIMER SELECT REGISTER 2**

|       |     |     |                         |     |                        |         |         |
|-------|-----|-----|-------------------------|-----|------------------------|---------|---------|
| U-0   | U-0 | U-0 | R/W-0                   | U-0 | R/W-0                  | R/W-0   | R/W-0   |
| —     | —   | —   | C10TSEL0 <sup>(1)</sup> | —   | C9TSEL0 <sup>(1)</sup> | C8TSEL1 | C8TSEL0 |
| bit 7 |     |     |                         |     |                        |         | bit 0   |

**Legend:**

|                   |                  |  |
|-------------------|------------------|--|
| R = Readable bit  | W = Writable bit | U = Unimplemented bit, read as '0'           |
| -n = Value at POR | '1' = Bit is set | '0' = Bit is cleared      x = Bit is unknown |

- bit 7-5      **Unimplemented:** Read as '0'
- bit 4      **C10TSEL0:** CCP10 Timer Selection bit<sup>(1)</sup>  
             0 = CCP10 is based off of TMR1/TMR2  
             1 = CCP10 is based off of TMR7/TMR2
- bit 3      **Unimplemented:** Read as '0'
- bit 2      **C9TSEL0:** CCP9 Timer Selection bit<sup>(1)</sup>  
             0 = CCP9 is based off of TMR1/TMR2  
             1 = CCP9 is based off of TMR7/TMR4
- bit 1-0    **C8TSEL<1:0>:** CCP8 Timer Selection bits  
             On non 32-Kbyte device variants:  
             00 = CCP8 is based off of TMR1/TMR2  
             01 = CCP8 is based off of TMR7/TMR4  
             10 = CCP8 is based off of TMR7/TMR6  
             11 = Reserved; do not use  
             On 32-Kbyte device variants (PIC18F85K90/65K90):  
             00 = CCP8 is based off of TMR1/TMR2  
             01 = CCP8 is based off of TMR1/TMR4  
             10 = CCP8 is based off of TMR1/TMR6  
             11 = Reserved; do not use

**Note 1:** This bit is unimplemented and reads as '0' on devices with 32 Kbytes of program memory (PIC18FX5K90).

# PIC18F87K90 FAMILY

## REGISTER 18-4: CCPRxL: CCPx PERIOD LOW BYTE REGISTER

| R/W-x   | R/W-x   | R/W-x   | R/W-x   | R/W-x   | R/W-x   | R/W-x   | R/W-x   |
|---------|---------|---------|---------|---------|---------|---------|---------|
| CCPRxL7 | CCPRxL6 | CCPRxL5 | CCPRxL4 | CCPRxL3 | CCPRxL2 | CCPRxL1 | CCPRxL0 |
| bit 7   |         |         |         |         |         |         | bit 0   |

### Legend:

R = Readable bit                      W = Writable bit                      U = Unimplemented bit, read as '0'  
-n = Value at POR                      '1' = Bit is set                      '0' = Bit is cleared                      x = Bit is unknown

bit 7-0                      **CCPRxL<7:0>**: CCPx Period Register Low Byte bits

#### Capture Mode:

Capture register low byte.

#### Compare Mode:

Compare register low byte.

#### PWM Mode:

Duty Cycle register low byte.

## REGISTER 18-5: CCPRxH: CCPx PERIOD HIGH BYTE REGISTER

| R/W-x   | R/W-x   | R/W-x   | R/W-x   | R/W-x   | R/W-x   | R/W-x   | R/W-x   |
|---------|---------|---------|---------|---------|---------|---------|---------|
| CCPRxH7 | CCPRxH6 | CCPRxH5 | CCPRxH4 | CCPRxH3 | CCPRxH2 | CCPRxH1 | CCPRxH0 |
| bit 7   |         |         |         |         |         |         | bit 0   |

### Legend:

R = Readable bit                      W = Writable bit                      U = Unimplemented bit, read as '0'  
-n = Value at POR                      '1' = Bit is set                      '0' = Bit is cleared                      x = Bit is unknown

bit 7-0                      **CCPRxH<7:0>**: CCPx Period Register High Byte bits

#### Capture Mode:

Capture register high byte.

#### Compare Mode:

Compare register high byte.

#### PWM Mode:

Duty Cycle Buffer register high byte.



# PIC18F87K90 FAMILY

## 18.1 CCP Module Configuration

Each Capture/Compare/PWM module is associated with a control register (generically, CCPxCON) and a data register (CCPRx). The data register, in turn, is comprised of two 8-bit registers: CCPRxL (low byte) and CCPRxH (high byte). All registers are both readable and writable.

### 18.1.1 CCP MODULES AND TIMER RESOURCES

The CCP modules utilize Timers, 1 through 8, which varies with the selected mode. Various timers are available to the CCP modules in Capture, Compare or PWM modes, as shown in [Table 18-1](#).

**TABLE 18-1: CCP MODE – TIMER RESOURCE**

| CCP Mode | Timer Resource                    |
|----------|-----------------------------------|
| Capture  | Timer1, Timer3, Timer 5 or Timer7 |
| Compare  |                                   |
| PWM      | Timer2, Timer4, Timer 6 or Timer8 |

The assignment of a particular timer to a module is determined by the Timer to CCP enable bits in the CCPTMRSx registers (see [Register 18-2](#) and [Register 18-3](#)). All of the modules may be active at once and may share the same timer resource if they are configured to operate in the same mode (Capture/Compare or PWM) at the same time.

The CCPTMRS1 register selects the timers for CCP modules, 7, 6, 5 and 4, and the CCPTMRS2 register selects the timers for CCP modules, 10, 9 and 8. The possible configurations are shown in [Table 18-2](#) and [Table 18-3](#).

**TABLE 18-2: TIMER ASSIGNMENTS FOR CCP MODULES 4, 5, 6 AND 7**

| CCPTMRS1 Register |                         |          |         |                      |          |         |                      |          |              |                      |          |
|-------------------|-------------------------|----------|---------|----------------------|----------|---------|----------------------|----------|--------------|----------------------|----------|
| CCP4              |                         |          | CCP5    |                      |          | CCP6    |                      |          | CCP7         |                      |          |
| C4TSEL <1:0>      | Capture/Compare Mode    | PWM Mode | C5TSEL0 | Capture/Compare Mode | PWM Mode | C6TSEL0 | Capture/Compare Mode | PWM Mode | C7TSEL <1:0> | Capture/Compare Mode | PWM Mode |
| 0 0               | TMR1                    | TMR2     | 0       | TMR1                 | TMR2     | 0       | TMR1                 | TMR2     | 0 0          | TMR1                 | TMR2     |
| 0 1               | TMR3                    | TMR4     | 1       | TMR5                 | TMR4     | 1       | TMR5                 | TMR2     | 0 1          | TMR5                 | TMR4     |
| 1 0               | TMR3                    | TMR6     |         |                      |          |         |                      |          | 1 0          | TMR5                 | TMR6     |
| 1 1               | Reserved <sup>(1)</sup> |          |         |                      |          |         |                      |          | 1 1          | TMR5                 | TMR8     |

**Note 1:** Do not use the reserved bits.

**TABLE 18-3: TIMER ASSIGNMENTS FOR CCP MODULES 8, 9 AND 10**

| CCPTMRS2 Register |                         |          |  |                         |          |                     |                      |          |                      |                      |          |
|-------------------|-------------------------|----------|--|-------------------------|----------|---------------------|----------------------|----------|----------------------|----------------------|----------|
| CCP8              |                         |          | CCP8 Devices with 32 Kbytes <sup>(1)</sup> |                         |          | CCP9 <sup>(1)</sup> |                      |          | CCP10 <sup>(1)</sup> |                      |          |
| C8TSEL <1:0>      | Capture/Compare Mode    | PWM Mode | C8TSEL <1:0>                               | Capture/Compare Mode    | PWM Mode | C9TSEL0             | Capture/Compare Mode | PWM Mode | C10TSEL0             | Capture/Compare Mode | PWM Mode |
| 0 0               | TMR1                    | TMR2     | 0 0  | TMR1                    | TMR2     | 0                   | TMR1                 | TMR2     | 0                    | TMR1                 | TMR2     |
| 0 1               | TMR7                    | TMR4     | 0 1  | TMR1                    | TMR4     | 1                   | TMR7                 | TMR4     | 1                    | TMR7                 | TMR2     |
| 1 0               | TMR7                    | TMR6     | 1 0  | TMR1                    | TMR6     |                     |                      |          |                      |                      |          |
| 1 1               | Reserved <sup>(2)</sup> |          | 1 1  | Reserved <sup>(2)</sup> |          |                     |                      |          |                      |                      |          |

**Note 1:** The module is not available for devices with 32 Kbytes of program memory.

**2:** Do not use the reserved bits.

# PIC18F87K90 FAMILY

## 18.1.2 OPEN-DRAIN OUTPUT OPTION

When operating in Output mode (the Compare or PWM modes), the drivers for the CCPx pins can be optionally configured as open-drain outputs. This feature allows the voltage level on the pin to be pulled to a higher level through an external pull-up resistor and allows the output to communicate with external circuits without the need for additional level shifters.

The open-drain output option is controlled by the CCPxOD bits (ODCON2<7:2>). Setting the appropriate bit configures the pin for the corresponding module for open-drain operation.

## 18.1.3 PIN ASSIGNMENT FOR CCP6, CCP7, CCP8 AND CCP9

The pin assignment for CCP6/7/8/9 (Capture input, Compare and PWM output) can change, based on the device configuration.

The ECCPMX Configuration bit (CONFIG3H<1>) determines the pin to which CCP6/7/8/9 is multiplexed. The pin assignments for these CCP modules are given in [Table 18-4](#).

**TABLE 18-4: CCP PIN ASSIGNMENT**

| ECCPMX Value | Pin Mapped To |      |      |     |
|--------------|---------------|------|------|-----|
|              | CCP6          | CCP7 | CCP8 | CC9 |
| 1 (Default)  | RE6           | RE5  | RE4  | RE3 |
| 0            | RH7           | RH6  | RH5  | RH4 |

## 18.2 Capture Mode

In Capture mode, the CCPR4H:CCPR4L register pair captures the 16-bit value of the TMR1 or TMR3 register when an event occurs on the CCP4 pins. An event is defined as one of the following:

- Every falling edge
- Every rising edge
- Every 4th rising edge
- Every 16th rising edge

The event is selected by the mode select bits, CCP4M<3:0> (CCP4CON<3:0>). When a capture is made, the interrupt request flag bit, CCP4IF (PIR4<1>), is set. (It must be cleared in software.) If another capture occurs before the value in CCPR4 is read, the old captured value is overwritten by the new captured value.

[Figure 18-1](#) shows the Capture mode block diagram.

### 18.2.1 CCP PIN CONFIGURATION

In Capture mode, the appropriate CCPx pin should be configured as an input by setting the corresponding TRIS direction bit.

**Note:** If RC1 or RE7 is configured as a CCP4 output, a write to the PORT causes a capture condition.

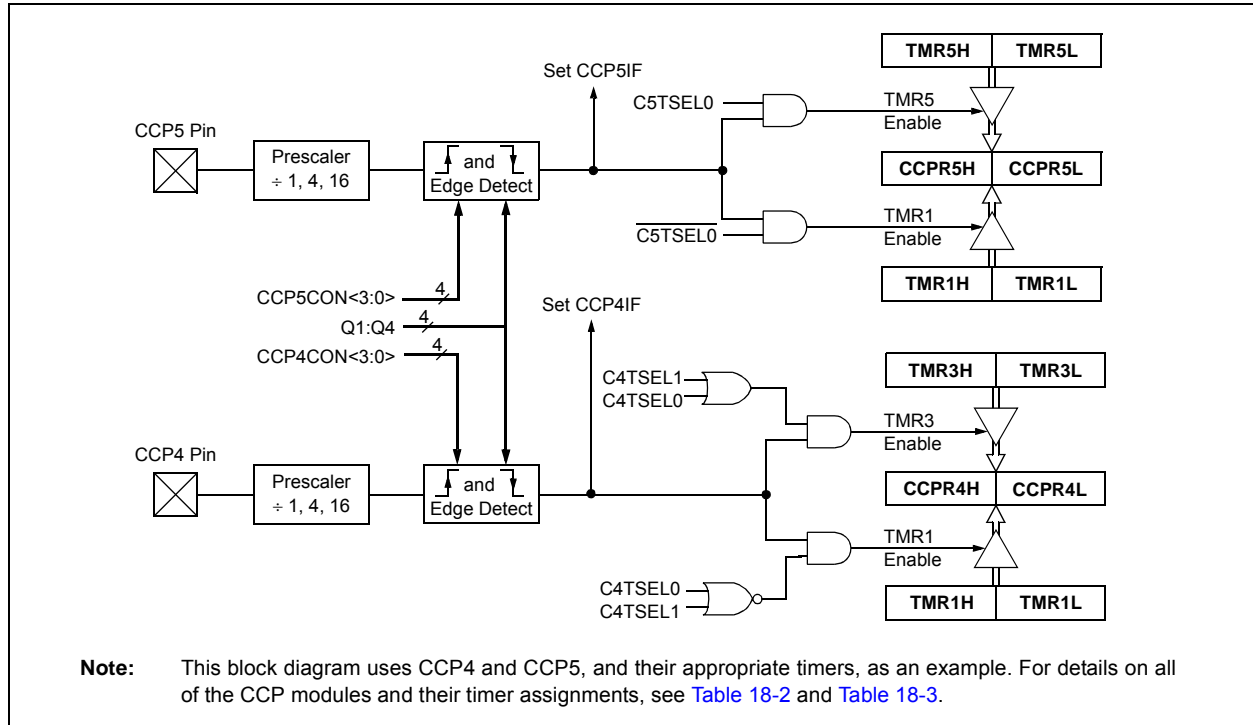
### 18.2.2 TIMER1/3/5/7 MODE SELECTION

For the available timers (1/3/5/7) to be used for the capture feature, the used timers must be running in Timer mode or Synchronized Counter mode. In Asynchronous Counter mode, the capture operation may not work.

The timer to be used with each CCP module is selected in the CCPTMRSx registers. (See [Section 18.1.1 “CCP Modules and Timer Resources”](#).)

Details of the timer assignments for the CCP modules are given in [Table 18-2](#) and [Table 18-3](#).

**FIGURE 18-1: CAPTURE MODE OPERATION BLOCK DIAGRAM**



### 18.2.3 SOFTWARE INTERRUPT

When the Capture mode is changed, a false capture interrupt may be generated. The user should keep the CCP4IE bit (PIE4<1>) clear to avoid false interrupts and should clear the flag bit, CCP4IF, following any such change in operating mode.

### 18.2.4 CCP PRESCALER

There are four prescaler settings in Capture mode. They are specified as part of the operating mode selected by the mode select bits (CCP4M<3:0>). Whenever the CCP module is turned off, or the CCP module is not in Capture mode, the prescaler counter is cleared. This means that any Reset will clear the prescaler counter.

Switching from one capture prescaler to another may generate an interrupt. Doing that also will not clear the prescaler counter – meaning the first capture may be from a non-zero prescaler.

[Example 18-1](#) shows the recommended method for switching between capture prescalers. This example also clears the prescaler counter and will not generate the “false” interrupt.

#### EXAMPLE 18-1: CHANGING BETWEEN CAPTURE PRESCALERS

```

CLRf  CCP4CON    ; Turn CCP module off
MOVLW NEW_CAPT_PS ; Load WREG with the
                  ; new prescaler mode
                  ; value and CCP ON
MOVWF  CCP4CON    ; Load CCP4CON with
                  ; this value
    
```

# PIC18F87K90 FAMILY

---

## 18.3 Compare Mode

In Compare mode, the 16-bit CCPR4 register value is constantly compared against either the TMR1 or TMR3 register pair value. When a match occurs, the CCP4 pin can be:

- Driven high
- Driven low
- Toggled (high-to-low or low-to-high)
- Unchanged (that is, reflecting the state of the I/O latch)

The action on the pin is based on the value of the mode select bits (CCP4M<3:0>). At the same time, the interrupt flag bit, CCP4IF, is set.

Figure 18-2 shows the Compare mode block diagram

### 18.3.1 CCP PIN CONFIGURATION

The user must configure the CCPx pin as an output by clearing the appropriate TRIS bit.

**Note:** Clearing the CCP4CON register will force the RC1 or RE7 compare output latch (depending on device configuration) to the default low level. This is not the PORTC or PORTE I/O data latch.

### 18.3.2 TIMER1/3/5/7 MODE SELECTION

If the CCP module is using the compare feature in conjunction with any of the Timer1/3/5/7 timers, the timers must be running in Timer mode or Synchronized Counter mode. In Asynchronous Counter mode, the compare operation may not work.

**Note:** Details of the timer assignments for the CCP modules are given in Table 18-2 and Table 18-3.

### 18.3.3 SOFTWARE INTERRUPT MODE

When the Generate Software Interrupt mode is chosen (CCP4M<3:0> = 1010), the CCP4 pin is not affected. Only a CCP interrupt is generated, if enabled, and the CCP4IE bit is set.

### 18.3.4 SPECIAL EVENT TRIGGER

Both CCP modules are equipped with a Special Event Trigger. This is an internal hardware signal generated in Compare mode to trigger actions by other modules. The Special Event Trigger is enabled by selecting the Compare Special Event Trigger mode (CCP4M<3:0> = 1011).

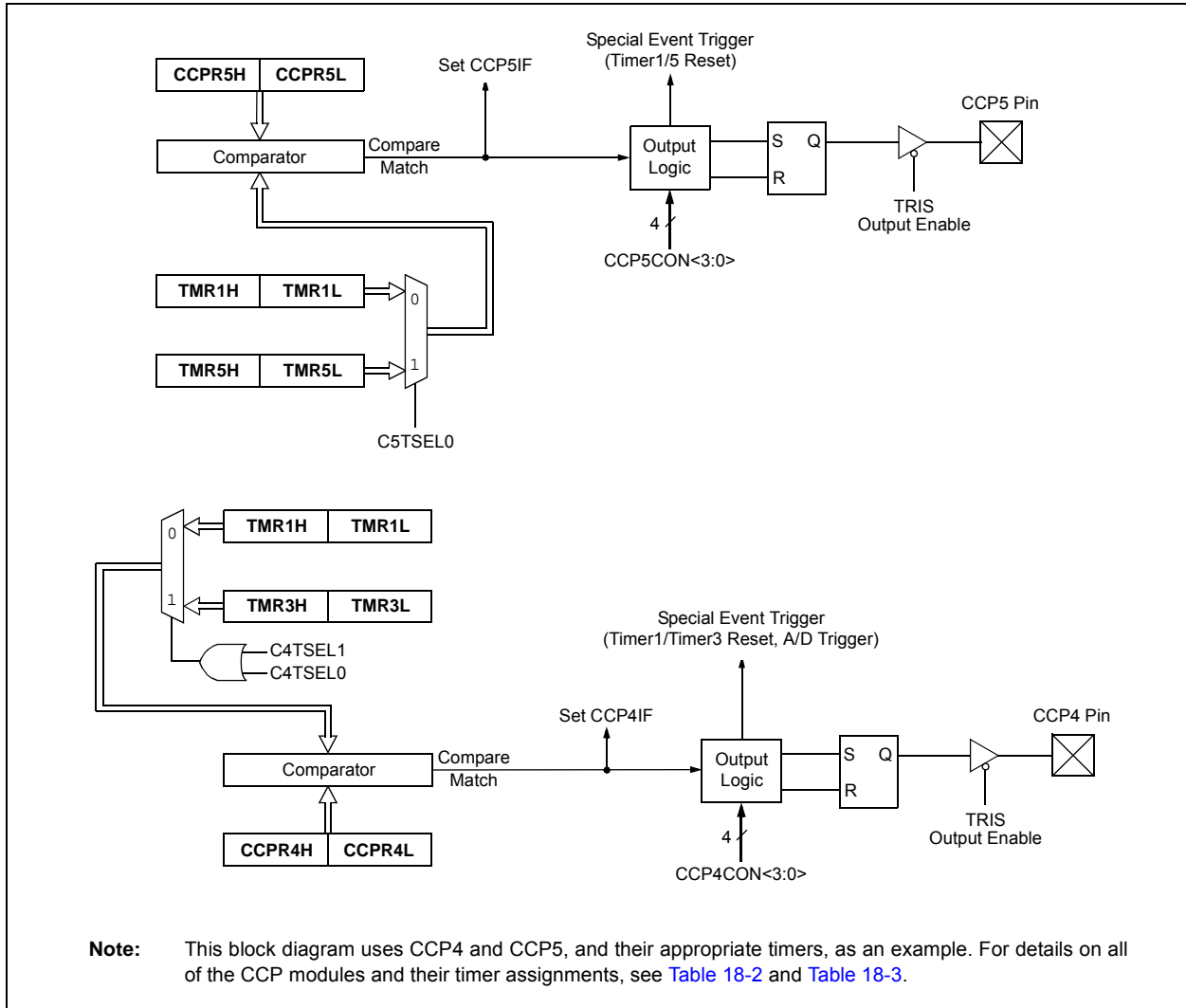
For either CCP module, the Special Event Trigger resets the timer register pair for whichever timer resource is currently assigned as the module's time base. This allows the CCPRx registers to serve as a programmable Period register for either timer.

The Special Event Trigger for CCP4 cannot start an A/D conversion.

**Note:** The Special Event Trigger of ECCP1 can start an A/D conversion, but the A/D Converter needs to be enabled. For more information, see Section 19.0 "Enhanced Capture/Compare/PWM (ECCP) Module".

# PIC18F87K90 FAMILY

**FIGURE 18-2: COMPARE MODE OPERATION BLOCK DIAGRAM**



# PIC18F87K90 FAMILY

**TABLE 18-5: REGISTERS ASSOCIATED WITH CAPTURE, COMPARE, TIMER1/3/5/7**

| Name                   | Bit 7                                     | Bit 6                 | Bit 5   | Bit 4   | Bit 3  | Bit 2  | Bit 1  | Bit 0  | Reset Values on Page: |
|------------------------|---|-----------------------|---------|---------|--------|--------|--------|--------|-----------------------|
| INTCON                 | GIE/GIEH                                  | PEIE/GIEL             | TMR0IE  | INT0IE  | RBIE   | TMR0IF | INT0IF | RBIF   | 75                    |
| RCON                   | IPEN                                      | SBOREN                | CM      | RI      | TO     | PD     | POR    | BOR    | 76                    |
| PIR4                   | CCP10IF <sup>(1)</sup>                    | CCP9IF <sup>(1)</sup> | CCP8IF  | CCP7IF  | CCP6IF | CCP5IF | CCP4IF | CCP3IF | 77                    |
| PIE4                   | CCP10IE <sup>(1)</sup>                    | CCP9IE <sup>(1)</sup> | CCP8IE  | CCP7IE  | CCP6IE | CCP5IE | CCP4IE | CCP3IE | 77                    |
| IPR4                   | CCP10IP <sup>(1)</sup>                    | CCP9IP <sup>(1)</sup> | CCP8IP  | CCP7IP  | CCP6IP | CCP5IP | CCP4IP | CCP3IP | 77                    |
| TRISB                  | TRISB7                                    | TRISB6                | TRISB5  | TRISB4  | TRISB3 | TRISB2 | TRISB1 | TRISB0 | 78                    |
| TRISC                  | TRISC7                                    | TRISC6                | TRISC5  | TRISC4  | TRISC3 | TRISC2 | TRISC1 | TRISC0 | 78                    |
| TRISE                  | TRISE7                                    | TRISE6                | TRISE5  | TRISE4  | TRISE3 | TRISE2 | TRISE1 | TRISE0 | 78                    |
| TRISH <sup>(2)</sup>   | TRISH7                                    | TRISH6                | TRISH5  | TRISH4  | TRISH3 | TRISH2 | TRISH1 | TRISH0 | 78                    |
| TMR1L                  | Timer1 Register Low Byte                  |                       |         |         |        |        |        |        | 76                    |
| TMR1H                  | Timer1 Register High Byte                 |                       |         |         |        |        |        |        | 76                    |
| TMR3L                  | Timer3 Register Low Byte                  |                       |         |         |        |        |        |        | 77                    |
| TMR3H                  | Timer3 Register High Byte                 |                       |         |         |        |        |        |        | 77                    |
| TMR5L                  | Timer5 Register Low Byte                  |                       |         |         |        |        |        |        | 82                    |
| TMR5H                  | Timer5 Register High Byte                 |                       |         |         |        |        |        |        | 82                    |
| TMR7L <sup>(1)</sup>   | Timer7 Register Low Byte                  |                       |         |         |        |        |        |        | 81                    |
| TMR7H <sup>(1)</sup>   | Timer7 Register High Byte                 |                       |         |         |        |        |        |        | 81                    |
| T1CON                  | TMR1CS1                                   | TMR1CS0               | T1CKPS1 | T1CKPS0 | SOSCEN | T1SYNC | RD16   | TMR1ON | 76                    |
| T3CON                  | TMR3CS1                                   | TMR3CS0               | T3CKPS1 | T3CKPS0 | SOSCEN | T3SYNC | RD16   | TMR3ON | 77                    |
| T5CON                  | TMR5CS1                                   | TMR5CS0               | T5CKPS1 | T5CKPS0 | SOSCEN | T5SYNC | RD16   | TMR5ON | 82                    |
| T7CON <sup>(1)</sup>   | TMR7CS1                                   | TMR7CS0               | T7CKPS1 | T7CKPS0 | SOSCEN | T7SYNC | RD16   | TMR7ON | 81                    |
| CCPR4L                 | Capture/Compare/PWM Register 4 Low Byte   |                       |         |         |        |        |        |        | 82                    |
| CCPR4H                 | Capture/Compare/PWM Register 4 High Byte  |                       |         |         |        |        |        |        | 82                    |
| CCPR5L                 | Capture/Compare/PWM Register 5 Low Byte   |                       |         |         |        |        |        |        | 82                    |
| CCPR5H                 | Capture/Compare/PWM Register 5 High Byte  |                       |         |         |        |        |        |        | 82                    |
| CCPR6L                 | Capture/Compare/PWM Register 6 Low Byte   |                       |         |         |        |        |        |        | 82                    |
| CCPR6H                 | Capture/Compare/PWM Register 6 High Byte  |                       |         |         |        |        |        |        | 82                    |
| CCPR7L                 | Capture/Compare/PWM Register 7 Low Byte   |                       |         |         |        |        |        |        | 82                    |
| CCPR7H                 | Capture/Compare/PWM Register 7 High Byte  |                       |         |         |        |        |        |        | 82                    |
| CCPR8L                 | Capture/Compare/PWM Register 8 Low Byte   |                       |         |         |        |        |        |        | 80                    |
| CCPR8H                 | Capture/Compare/PWM Register 8 High Byte  |                       |         |         |        |        |        |        | 80                    |
| CCPR9L <sup>(1)</sup>  | Capture/Compare/PWM Register 9 Low Byte   |                       |         |         |        |        |        |        | 80                    |
| CCPR9H <sup>(1)</sup>  | Capture/Compare/PWM Register 9 High Byte  |                       |         |         |        |        |        |        | 80                    |
| CCPR10L <sup>(1)</sup> | Capture/Compare/PWM Register 10 Low Byte  |                       |         |         |        |        |        |        | 81                    |
| CCPR10H <sup>(1)</sup> | Capture/Compare/PWM Register 10 High Byte |                       |         |         |        |        |        |        | 80                    |
| CCP4CON                | —   | —                     | DC4B1   | DC4B0   | CCP4M3 | CCP4M2 | CCP4M1 | CCP4M0 | 82                    |
| CCP5CON                | —   | —                     | DC5B1   | DC5B0   | CCP5M3 | CCP5M2 | CCP5M1 | CCP5M0 | 82                    |

**Legend:** — = unimplemented, read as '0'. Shaded cells are not used by Capture/Compare or Timer1/3/5/7.

**Note 1:** Unimplemented in devices with a program memory of 32 Kbytes (PIC18FX5K90).

**2:** Unimplemented in 64-pin devices.

# PIC18F87K90 FAMILY

**TABLE 18-5: REGISTERS ASSOCIATED WITH CAPTURE, COMPARE, TIMER1/3/5/7 (CONTINUED)**

| Name                    | Bit 7   | Bit 6   | Bit 5  | Bit 4    | Bit 3   | Bit 2   | Bit 1   | Bit 0   | Reset Values on Page: |
|-------------------------|---------|---------|--------|----------|---------|---------|---------|---------|-----------------------|
| CCP6CON                 | —       | —       | DC6B1  | DC6B0    | CCP6M3  | CCP6M2  | CCP6M1  | CCP6M0  | 82                    |
| CCP7CON                 | —       | —       | DC7B1  | DC7B0    | CCP7M3  | CCP7M2  | CCP7M1  | CCP7M0  | 82                    |
| CCP8CON                 | —       | —       | DC8B1  | DC8B0    | CCP8M3  | CCP8M2  | CCP8M1  | CCP8M0  | 80                    |
| CCP9CON <sup>(1)</sup>  | —       | —       | DC9B1  | DC9B0    | CCP9M3  | CCP9M2  | CCP9M1  | CCP9M0  | 80                    |
| CCP10CON <sup>(1)</sup> | —       | —       | DC10B1 | DC10B0   | CCP10M3 | CCP10M2 | CCP10M1 | CCP10M0 | 81                    |
| CCPTMRS1                | C7TSEL1 | C7TSEL0 | —      | C6TSEL0  | —       | C5TSEL0 | C4TSEL1 | C4TSEL0 | 81                    |
| CCPTMRS2                | —       | —       | —      | C10TSEL0 | —       | C9TSEL0 | C8TSEL1 | C8TSEL0 | 81                    |

**Legend:** — = unimplemented, read as '0'. Shaded cells are not used by Capture/Compare or Timer1/3/5/7.

**Note 1:** Unimplemented in devices with a program memory of 32 Kbytes (PIC18FX5K90).

**2:** Unimplemented in 64-pin devices.

## 18.4 PWM Mode

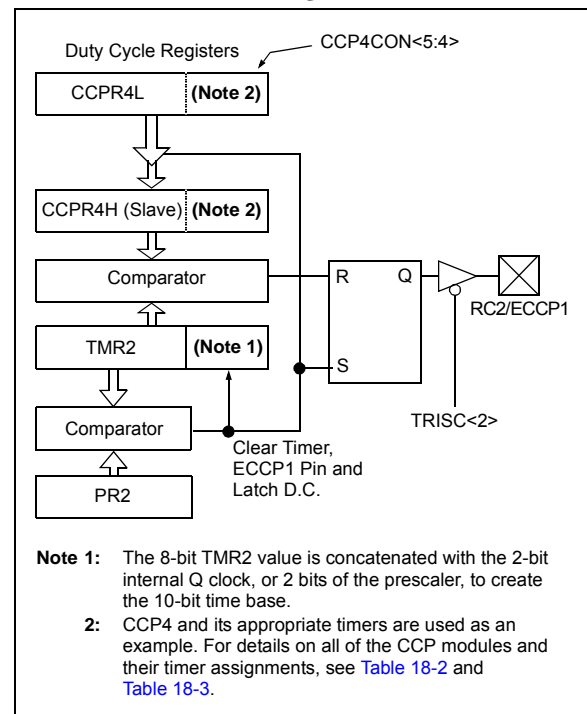
In Pulse-Width Modulation (PWM) mode, the CCP4 pin produces up to a 10-bit resolution PWM output. Since the CCP4 pin is multiplexed with a PORTC or PORTE data latch, the appropriate TRIS bit must be cleared to make the CCP4 pin an output.

**Note:** Clearing the CCP4CON register will force the RC1 or RE7 output latch (depending on device configuration) to the default low level. This is not the PORTC or PORTE I/O data latch.

Figure 18-3 shows a simplified block diagram of the ECCP1 module in PWM mode.

For a step-by-step procedure on how to set up the CCP module for PWM operation, see [Section 18.4.3 “Setup for PWM Operation”](#).

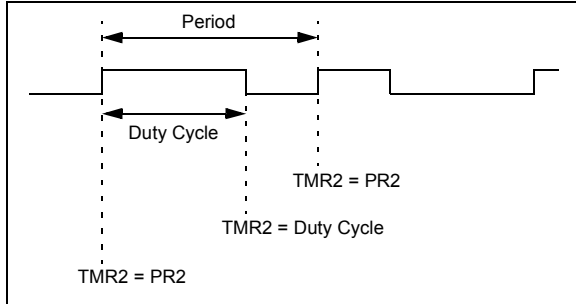
**FIGURE 18-3: SIMPLIFIED PWM BLOCK DIAGRAM**



# PIC18F87K90 FAMILY

A PWM output (Figure 18-4) has a time base (period) and a time that the output stays high (duty cycle). The frequency of the PWM is the inverse of the period (1/period).

**FIGURE 18-4: PWM OUTPUT**



## 18.4.1 PWM PERIOD

The PWM period is specified by writing to the PR2 register. The PWM period can be calculated using the following formula:

**EQUATION 18-1:**

$$\text{PWM Period} = [(PR2) + 1] \cdot 4 \cdot T_{osc} \cdot (\text{TMR2 Prescale Value})$$

PWM frequency is defined as 1/[PWM period].

When TMR2 is equal to PR2, the following three events occur on the next increment cycle:

- TMR2 is cleared
- The CCP4 pin is set  
(An exception: If PWM duty cycle = 0%, the CCP4 pin will not be set)
- The PWM duty cycle is latched from CCPR4L into CCPR4H

**Note:** The Timer2 postscalers (see Section 14.0 “Timer2 Module”) are not used in the determination of the PWM frequency. The postscaler could be used to have a servo update rate at a different frequency than the PWM output.

## 18.4.2 PWM DUTY CYCLE

The PWM duty cycle is specified by writing to the CCPR4L register (using CCP4 as an example) and to the CCP4CON<5:4> bits. Up to 10-bit resolution is available. The CCPR4L contains the eight MSBs and the CCP4CON<5:4> bits contain the two LSBs. This 10-bit value is represented by CCPR4L:CCP4CON<5:4>. The following equation is used to calculate the PWM duty cycle in time:

**EQUATION 18-2:**

$$\text{PWM Duty Cycle} = (\text{CCPR4L:CCP4CON<5:4>}) \cdot T_{osc} \cdot (\text{TMR2 Prescale Value})$$

CCPR4L and CCP4CON<5:4> can be written to at any time, but the duty cycle value is not latched into CCPR4H until after a match between PR2 and TMR2 occurs (that is, the period is complete). In PWM mode, CCPR4H is a read-only register.

The CCPR4H register and a 2-bit internal latch are used to double-buffer the PWM duty cycle. This double-buffering is essential for glitchless PWM operation.

When the CCPR4H and 2-bit latch match TMR2, concatenated with an internal 2-bit Q clock or two bits of the TMR2 prescaler, the CCP4 pin is cleared.

The maximum PWM resolution (bits) for a given PWM frequency is given by Equation 18-3:

**EQUATION 18-3:**

$$\text{PWM Resolution (max)} = \frac{\log\left(\frac{F_{osc}}{F_{PWM}}\right)}{\log(2)} \text{ bits}$$

**Note:** If the PWM duty cycle value is longer than the PWM period, the CCP4 pin will not be cleared.

**TABLE 18-6: EXAMPLE PWM FREQUENCIES AND RESOLUTIONS AT 40 MHz**

| PWM Frequency              | 2.44 kHz | 9.77 kHz | 39.06 kHz | 156.25 kHz | 312.50 kHz | 416.67 kHz |
|----------------------------|----------|----------|-----------|------------|------------|------------|
| Timer Prescaler (1, 4, 16) | 16       | 4        | 1         | 1          | 1          | 1          |
| PR2 Value                  | FFh      | FFh      | FFh       | 3Fh        | 1Fh        | 17h        |
| Maximum Resolution (bits)  | 14       | 12       | 10        | 8          | 7          | 6.58       |



# PIC18F87K90 FAMILY

## 18.4.3 SETUP FOR PWM OPERATION

To configure the CCP module for PWM operation (with CCP4 as an example):

1. Set the PWM period by writing to the PR2 register.
2. Set the PWM duty cycle by writing to the CCPR4L register and CCP4CON<5:4> bits.
3. Make the CCP4 pin an output by clearing the appropriate TRIS bit.
4. Set the TMR2 prescale value, then enable Timer2 by writing to T2CON.
5. Configure the CCP4 module for PWM operation.

**TABLE 18-7: REGISTERS ASSOCIATED WITH PWM AND TIMERS**

| Name                   | Bit 7                                    | Bit 6                 | Bit 5    | Bit 4    | Bit 3    | Bit 2  | Bit 1   | Bit 0   | Reset Values on Page: |
|------------------------|--|-----------------------|----------|----------|----------|--------|---------|---------|-----------------------|
| INTCON                 | GIE/GIEH                                 | PEIE/GIEL             | TMR0IE   | INT0IE   | RBIE     | TMR0IF | INT0IF  | RBIF    | 75                    |
| RCON                   | IPEN                                     | SBOREN                | CM       | RI       | TO       | PD     | POR     | BOR     | 76                    |
| PIR4                   | CCP10IF <sup>(1)</sup>                   | CCP9IF <sup>(1)</sup> | CCP8IF   | CCP7IF   | CCP6IF   | CCP5IF | CCP4IF  | CCP3IF  | 77                    |
| PIE4                   | CCP10IE <sup>(1)</sup>                   | CCP9IE <sup>(1)</sup> | CCP8IE   | CCP7IE   | CCP6IE   | CCP5IE | CCP4IE  | CCP3IE  | 77                    |
| IPR4                   | CCP10IP <sup>(1)</sup>                   | CCP9IP <sup>(1)</sup> | CCP8IP   | CCP7IP   | CCP6IP   | CCP5IP | CCP4IP  | CCP3IP  | 77                    |
| TRISB                  | TRISB7                                   | TRISB6                | TRISB5   | TRISB4   | TRISB3   | TRISB2 | TRISB1  | TRISB0  | 78                    |
| TRISC                  | TRISC7                                   | TRISC6                | TRISC5   | TRISC4   | TRISC3   | TRISC2 | TRISC1  | TRISC0  | 78                    |
| TRISE                  | TRISE7                                   | TRISE6                | TRISE5   | TRISE4   | TRISE3   | TRISE2 | TRISE1  | TRISE0  | 78                    |
| TRISH                  | TRISH7                                   | TRISH6                | TRISH5   | TRISH4   | TRISH3   | TRISH2 | TRISH1  | TRISH0  | 78                    |
| TMR2                   | Timer2 Register                          |                       |          |          |          |        |         |         | 76                    |
| TMR4                   | Timer4 Register                          |                       |          |          |          |        |         |         | 82                    |
| TMR6                   | Timer6 Register                          |                       |          |          |          |        |         |         | 81                    |
| TMR8                   | Timer8 Register                          |                       |          |          |          |        |         |         | 81                    |
| PR2                    | Timer2 Period Register                   |                       |          |          |          |        |         |         | 76                    |
| PR4                    | Timer4 Period Register                   |                       |          |          |          |        |         |         | 82                    |
| PR6                    | Timer6 Period Register                   |                       |          |          |          |        |         |         | 81                    |
| PR8                    | Timer8 Period Register                   |                       |          |          |          |        |         |         | 81                    |
| T2CON                  | —  | T2OUTPS3              | T2OUTPS2 | T2OUTPS1 | T2OUTPS0 | TMR2ON | T2CKPS1 | T2CKPS0 | 76                    |
| T4CON                  | —  | T4OUTPS3              | T4OUTPS2 | T4OUTPS1 | T4OUTPS0 | TMR4ON | T4CKPS1 | T4CKPS0 | 82                    |
| T6CON                  | —  | T6OUTPS3              | T6OUTPS2 | T6OUTPS1 | T6OUTPS0 | TMR6ON | T6CKPS1 | T6CKPS0 | 81                    |
| T8CON                  | —  | T8OUTPS3              | T8OUTPS2 | T8OUTPS1 | T8OUTPS0 | TMR8ON | T8CKPS1 | T8CKPS0 | 81                    |
| CCPR4L                 | Capture/Compare/PWM Register 4 Low Byte  |                       |          |          |          |        |         |         | 82                    |
| CCPR4H                 | Capture/Compare/PWM Register 4 High Byte |                       |          |          |          |        |         |         | 82                    |
| CCPR5L                 | Capture/Compare/PWM Register 5 Low Byte  |                       |          |          |          |        |         |         | 82                    |
| CCPR5H                 | Capture/Compare/PWM Register 5 High Byte |                       |          |          |          |        |         |         | 82                    |
| CCPR6L                 | Capture/Compare/PWM Register 6 Low Byte  |                       |          |          |          |        |         |         | 82                    |
| CCPR6H                 | Capture/Compare/PWM Register 6 High Byte |                       |          |          |          |        |         |         | 82                    |
| CCPR7L                 | Capture/Compare/PWM Register 7 Low Byte  |                       |          |          |          |        |         |         | 82                    |
| CCPR7H                 | Capture/Compare/PWM Register 7 High Byte |                       |          |          |          |        |         |         | 82                    |
| CCPR8L                 | Capture/Compare/PWM Register 8 Low Byte  |                       |          |          |          |        |         |         | 80                    |
| CCPR8H                 | Capture/Compare/PWM Register 8 High Byte |                       |          |          |          |        |         |         | 80                    |
| CCPR9L <sup>(1)</sup>  | Capture/Compare/PWM Register 9 Low Byte  |                       |          |          |          |        |         |         | 80                    |
| CCPR9H <sup>(1)</sup>  | Capture/Compare/PWM Register 9 High Byte |                       |          |          |          |        |         |         | 80                    |
| CCPR10L <sup>(1)</sup> | Capture/Compare/PWM Register 10 Low Byte |                       |          |          |          |        |         |         | 81                    |

**Legend:** — = unimplemented, read as '0'. Shaded cells are not used by PWM or Timer2/4/6/8.

**Note 1:** Unimplemented in devices with a program memory of 32 Kbytes (PIC18FX5K90).

# PIC18F87K90 FAMILY

**TABLE 18-7: REGISTERS ASSOCIATED WITH PWM AND TIMERS (CONTINUED)**

| Name                    | Bit 7                                     | Bit 6   | Bit 5  | Bit 4    | Bit 3   | Bit 2   | Bit 1   | Bit 0   | Reset Values on Page: |
|-------------------------|---|---------|--------|----------|---------|---------|---------|---------|-----------------------|
| CCPR10H <sup>(1)</sup>  | Capture/Compare/PWM Register 10 High Byte |         |        |          |         |         |         |         | 80                    |
| CCP4CON                 | —   | —       | DC4B1  | DC4B0    | CCP4M3  | CCP4M2  | CCP4M1  | CCP4M0  | 82                    |
| CCP5CON                 | —   | —       | DC5B1  | DC5B0    | CCP5M3  | CCP5M2  | CCP5M1  | CCP5M0  | 82                    |
| CCP6CON                 | —   | —       | DC6B1  | DC6B0    | CCP6M3  | CCP6M2  | CCP6M1  | CCP6M0  | 82                    |
| CCP7CON                 | —   | —       | DC7B1  | DC7B0    | CCP7M3  | CCP7M2  | CCP7M1  | CCP7M0  | 82                    |
| CCP8CON                 | —   | —       | DC8B1  | DC8B0    | CCP8M3  | CCP8M2  | CCP8M1  | CCP8M0  | 80                    |
| CCP9CON <sup>(1)</sup>  | —   | —       | DC9B1  | DC9B0    | CCP9M3  | CCP9M2  | CCP9M1  | CCP9M0  | 80                    |
| CCP10CON <sup>(1)</sup> | —   | —       | DC10B1 | DC10B0   | CCP10M3 | CCP10M2 | CCP10M1 | CCP10M0 | 81                    |
| CCPTMRS1                | C7TSEL1                                   | C7TSEL0 | —      | C6TSEL0  | —       | C5TSEL0 | C4TSEL1 | C4TSEL0 | 81                    |
| CCPTMRS2                | —   | —       | —      | C10TSEL0 | —       | C9TSEL0 | C8TSEL1 | C8TSEL0 | 81                    |

**Legend:** — = unimplemented, read as '0'. Shaded cells are not used by PWM or Timer2/4/6/8.

**Note 1:** Unimplemented in devices with a program memory of 32 Kbytes (PIC18FX5K90).

## 19.0 ENHANCED CAPTURE/COMPARE/PWM (ECCP) MODULE

PIC18F87K90 family devices have three Enhanced Capture/Compare/PWM (ECCP) modules: ECCP1, ECCP2 and ECCP3. These modules contain a 16-bit register, which can operate as a 16-bit Capture register, a 16-bit Compare register or a PWM Master/Slave Duty Cycle register. These ECCP modules are upward compatible with CCP

**Note:** Throughout this section, generic references are used for register and bit names that are the same, except for an 'x' variable that indicates the item's association with the ECCP1, ECCP2 or ECCP3 module. For example, the control register is named CCPxCON and refers to CCP1CON, CCP2CON and CCP3CON.

ECCP1, ECCP2 and ECCP3 are implemented as standard CCP modules with Enhanced PWM capabilities. These include:

- Provision for two or four output channels
- Output Steering modes
- Programmable polarity
- Programmable dead-band control
- Automatic shutdown and restart

The enhanced features are discussed in detail in [Section 19.4 "PWM \(Enhanced Mode\)"](#).

The ECCP1, ECCP2 and ECCP3 modules use the control registers, CCP1CON, CCP2CON and CCP3CON. The control registers, CCP4CON through CCP10CON, are for the CCP4 through CCP10 modules.

# PIC18F87K90 FAMILY

## REGISTER 19-1: CCPxCON: ENHANCED CAPTURE/COMPARE/PWM x CONTROL

|       |       |       |       |        |        |        |        |
|-------|-------|-------|-------|--------|--------|--------|--------|
| R/W-0 | R/W-0 | R/W-0 | R/W-0 | R/W-0  | R/W-0  | R/W-0  | R/W-0  |
| PxM1  | PxM0  | DCxB1 | DCxB0 | CCPxM3 | CCPxM2 | CCPxM1 | CCPxM0 |
| bit 7 |       |       |       |        |        |        | bit 0  |

### Legend:

R = Readable bit                      W = Writable bit                      U = Unimplemented bit, read as '0'  
 -n = Value at POR                      '1' = Bit is set                      '0' = Bit is cleared                      x = Bit is unknown

bit 7-6                      **PxM<1:0>**: Enhanced PWM Output Configuration bits

If CCPxM<3:2> = 00, 01, 10:

xx = PxA is assigned as a capture/compare input/output; PxB, PxC and PxD are assigned as PORT pins

If CCPxM<3:2> = 11:

00 = Single output: PxA, PxB, PxC and PxD are controlled by steering (see [Section 19.4.7 "Pulse Steering Mode"](#))

01 = Full-bridge output forward: PxD is modulated; PxA is active; PxB, PxC are inactive

10 = Half-bridge output: PxA, PxB are modulated with dead-band control; PxC and PxD are assigned as PORT pins

11 = Full-bridge output reverse: PxB is modulated; PxC is active; PxA and PxD are inactive

bit 5-4                      **DCxB<1:0>**: PWM Duty Cycle Bit 1 and Bit 0

Capture mode:

Unused.

Compare mode:

Unused.

PWM mode:

These bits are the two LSBs of the 10-bit PWM duty cycle. The eight MSBs of the duty cycle are found in CCPRxL.

bit 3-0                      **CCPxM<3:0>**: ECCPx Mode Select bits

0000 = Capture/Compare/PWM off (resets ECCPx module)

0001 = Reserved

0010 = Compare mode: toggle output on match

0011 = Capture mode

0100 = Capture mode: every falling edge

0101 = Capture mode: every rising edge

0110 = Capture mode: every fourth rising edge

0111 = Capture mode: every 16<sup>th</sup> rising edge

1000 = Compare mode: initialize the ECCPx pin low; set the output on a compare match (set CCPxIF)

1001 = Compare mode: initialize the ECCPx pin high; clear the output on a compare match (set CCPxIF)

1010 = Compare mode: generate a software interrupt only; ECCPx pin reverts to an I/O state

1011 = Compare mode: trigger special event (ECCPx resets TMR1 or TMR3, starts A/D conversion, sets CCxIF bit)

1100 = PWM mode: PxA and PxC are active-high; PxB and PxD are active-high

1101 = PWM mode: PxA and PxC are active-high; PxB and PxD are active-low

1110 = PWM mode: PxA and PxC are active-low; PxB and PxD are active-high

1111 = PWM mode: PxA and PxC are active-low; PxB and PxD are active-low

# PIC18F87K90 FAMILY

## REGISTER 19-2: CCPTMRS0: CCP TIMER SELECT 0 REGISTER

| R/W-0   | R/W-0   | R/W-0   | R/W-0   | R/W-0   | R/W-0   | R/W-0   | R/W-0   |
|---------|---------|---------|---------|---------|---------|---------|---------|
| C3TSEL1 | C3TSEL0 | C2TSEL2 | C2TSEL1 | C2TSEL0 | C1TSEL2 | C1TSEL1 | C1TSEL0 |
| bit 7   |         |         |         |         |         |         | bit 0   |

### Legend:

|                   |                  |                                    |
|-------------------|------------------|------------------------------------|
| R = Readable bit  | W = Writable bit | U = Unimplemented bit, read as '0' |
| -n = Value at POR | '1' = Bit is set | '0' = Bit is cleared               |
|                   |                  | x = Bit is unknown                 |

bit 7-6      **C3TSEL<1:0>**: ECCP3 Timer Selection bits

00 = ECCP3 is based off of TMR1/TMR2  
 01 = ECCP3 is based off of TMR3/TMR4  
 10 = ECCP3 is based off of TMR3/TMR6  
 11 = ECCP3 is based off of TMR3/TMR8

bit 5-3      **C2TSEL<2:0>**: ECCP2 Timer Selection bits

000 = ECCP2 is based off of TMR1/TMR2  
 001 = ECCP2 is based off of TMR3/TMR4  
 010 = ECCP2 is based off of TMR3/TMR6  
 011 = ECCP2 is based off of TMR3/TMR8  
 100 = ECCP2 is based off of TMR3/TMR10; option is reserved on the 32-Kbyte device variant; do not use  
 101 = Reserved; do not use  
 110 = Reserved; do not use  
 111 = Reserved; do not use

bit 2-0      **C1TSEL<2:0>**: ECCP1 Timer Selection bits

000 = ECCP1 is based off of TMR1/TMR2  
 001 = ECCP1 is based off of TMR3/TMR4  
 010 = ECCP1 is based off of TMR3/TMR6  
 011 = ECCP1 is based off of TMR3/TMR8  
 100 = ECCP1 is based off of TMR3/TMR10; option is reserved on the 32-Kbyte device variant; do not use  
 101 = ECCP1 is based off of TMR3/TMR12; option is reserved on the 32-Kbyte device variant; do not use  
 110 = Reserved; do not use  
 111 = Reserved; do not use

# PIC18F87K90 FAMILY

In addition to the expanded range of modes available through the CCPxCON and ECCPxAS registers, the ECCP modules have two additional registers associated with Enhanced PWM operation and auto-shutdown features. They are:

- ECCPxDEL – Enhanced PWM Control
- PSTRxCON – Pulse Steering Control

## 19.1 ECCP Outputs and Configuration

The Enhanced CCP module may have up to four PWM outputs, depending on the selected operating mode. The CCPxCON register is modified to allow control over four PWM outputs: ECCPx/PxA, PxB, PxC and PxD. Applications can use one, two or four of these outputs.

The outputs that are active depend on the selected ECCP operating mode. The pin assignments are summarized in [Table 19-3](#).

To configure the I/O pins as PWM outputs, the proper PWM mode must be selected by setting the PxM<1:0> and CCPxM<3:0> bits. The appropriate TRIS direction bits for the PORT pins must also be set as outputs.

### 19.1.1 ECCP MODULE AND TIMER RESOURCES

The ECCP modules use Timers, 1, 2, 3, 4, 6, 8, 10 or 12, depending on the mode selected. These timers are available to CCP modules in Capture, Compare or PWM modes, as shown in [Table 19-1](#).

**TABLE 19-1: ECCP MODE – TIMER RESOURCE**

| ECCP Mode | Timer Resource                                     |
|-----------|--|
| Capture   | Timer1 or Timer3                                   |
| Compare   | Timer1 or Timer3                                   |
| PWM       | Timer2, Timer4, Timer6, Timer8, Timer10 or Timer12 |

The assignment of a particular timer to a module is determined by the timer to ECCP enable bits in the CCPTMRSx register ([Register 19-2](#)). The interactions between the two modules are depicted in [Figure 19-1](#). Capture operations are designed to be used when the timer is configured for Synchronous Counter mode. Capture operations may not work as expected if the associated timer is configured for Asynchronous Counter mode.

### 19.1.2 ECCP PIN ASSIGNMENT

The pin assignment for ECCPx (capture input, compare and PWM output) can change, based on device configuration. The ECCPMX (CONFIG3H<1>) Configuration bit determines which pins, ECCP1 and ECCP3, are multiplexed to.

- Default/ECCPMX = 1:
  - ECCP1 (P1B/P1C) is multiplexed onto RE6 and RE5
  - ECCP3 (P3B/P3C) is multiplexed onto RE4 and RE3
- ECCPMX = 0:
  - ECCP1 (P1B/P1C) is multiplexed onto RH7 and RH6
  - ECCP3 (P3B/P3C) is multiplexed onto RH5 and RH4.

The pin assignment for ECCP2 (capture input, compare and PWM output) can change, based on device configuration.

The CCP2MX Configuration bit (CONFIG3H<0>) determines which pin, ECCP2, is multiplexed to.

- If CCP2MX = 1 (default) – ECCP2 is multiplexed to RC1
- If CCP2MX = 0 – ECCP2 is multiplexed to:
  - RE7 is the ECCP2 pin with CCP2MX = 0

## 19.2 Capture Mode

In Capture mode, the CCPRxH:CCPRxL register pair captures the 16-bit value of the TMR1 or TMR3 registers when an event occurs on the corresponding ECCPx pin. An event is defined as one of the following:

- Every falling edge
- Every rising edge
- Every fourth rising edge
- Every 16<sup>th</sup> rising edge

The event is selected by the mode select bits, CCPxM<3:0> (CCPxCON register<3:0>). When a capture is made, the interrupt request flag bit, CCPxIF, is set (see Table 19-2). The flag must be cleared by software. If another capture occurs before the value in the CCPRxH/L register is read, the old captured value is overwritten by the new captured value.

**TABLE 19-2: ECCP1/2/3 INTERRUPT FLAG BITS**

| ECCP Module | Flag Bit |
|-------------|----------|
| 1           | PIR3<1>  |
| 2           | PIR3<2>  |
| 3           | PIR4<0>  |

### 19.2.1 ECCP PIN CONFIGURATION

In Capture mode, the appropriate ECCPx pin should be configured as an input by setting the corresponding TRIS direction bit.

**Note:** If the ECCPx pin is configured as an output, a write to the PORT can cause a capture condition.

### 19.2.2 TIMER1/TIMER3 MODE SELECTION

The timers that are to be used with the capture feature (Timer1 and/or Timer3) must be running in Timer mode or Synchronized Counter mode. In Asynchronous Counter mode, the capture operation may not work. The timer to be used with each ECCP module is selected in the CCPTMRS0 register (Register 19-2).

### 19.2.3 SOFTWARE INTERRUPT

When the Capture mode is changed, a false capture interrupt may be generated. The user should keep the CCPxIE interrupt enable bit clear to avoid false interrupts. The interrupt flag bit, CCPxIF, should also be cleared following any such change in operating mode.

### 19.2.4 ECCP PRESCALER

There are four prescaler settings in Capture mode; they are specified as part of the operating mode selected by the mode select bits (CCPxM<3:0>). Whenever the ECCP module is turned off, or Capture mode is disabled, the prescaler counter is cleared. This means that any Reset will clear the prescaler counter.

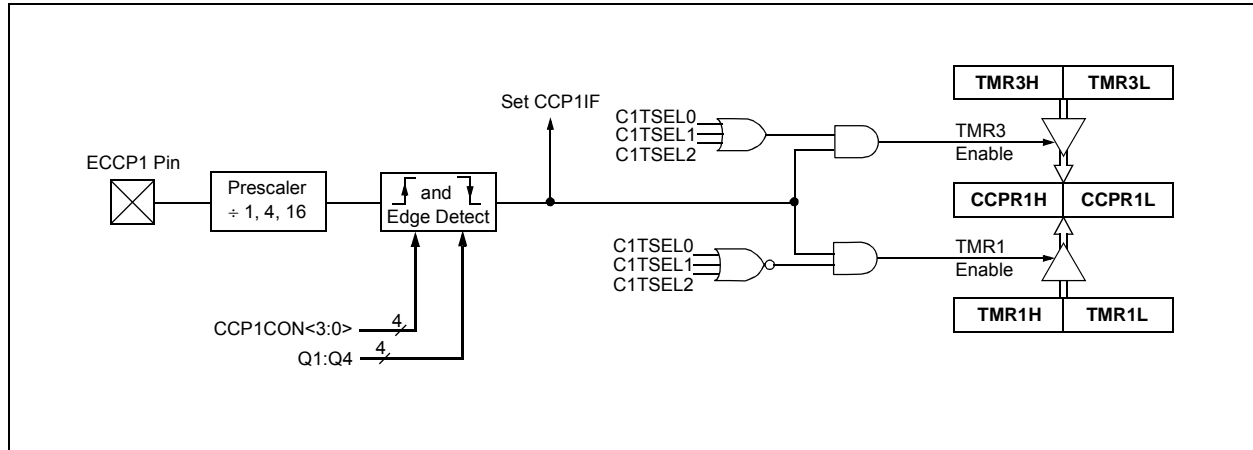
Switching from one capture prescaler to another may generate an interrupt. Also, the prescaler counter will not be cleared; therefore, the first capture may be from a non-zero prescaler. Example 19-1 provides the recommended method for switching between capture prescalers. This example also clears the prescaler counter and will not generate the “false” interrupt.

**EXAMPLE 19-1: CHANGING BETWEEN CAPTURE PRESCALERS**

```

CLRF  CCP1CON    ; Turn ECCP module off
MOVLW NEW_CAPT_PS ; Load WREG with the
                  ; new prescaler mode
                  ; value and ECCP ON
MOVWF  CCP1CON    ; Load CCP1CON with
                  ; this value
    
```

**FIGURE 19-1: CAPTURE MODE OPERATION BLOCK DIAGRAM**



# PIC18F87K90 FAMILY

## 19.3 Compare Mode

In Compare mode, the 16-bit CCPRx register value is constantly compared against either the TMR1 or TMR3 register pair value. When a match occurs, the ECCPx pin can be:

- Driven high
- Driven low
- Toggled (high-to-low or low-to-high)
- Unchanged (that is, reflecting the state of the I/O latch)

The action on the pin is based on the value of the mode select bits (CCPxM<3:0>). At the same time, the interrupt flag bit, CCPxIF, is set.

### 19.3.1 ECCP PIN CONFIGURATION

Users must configure the ECCPx pin as an output by clearing the appropriate TRIS bit.

**Note:** Clearing the CCPxCON register will force the ECCPx compare output latch (depending on device configuration) to the default low level. This is not the PORTx I/O data latch.

### 19.3.2 TIMER1/TIMER3 MODE SELECTION

Timer1 and/or Timer3 must be running in Timer mode or Synchronized Counter mode if the ECCP module is using the compare feature. In Asynchronous Counter mode, the compare operation will not work reliably.

### 19.3.3 SOFTWARE INTERRUPT MODE

When the Generate Software Interrupt mode is chosen (CCPxM<3:0> = 1010), the ECCPx pin is not affected; only the CCPxIF interrupt flag is affected.

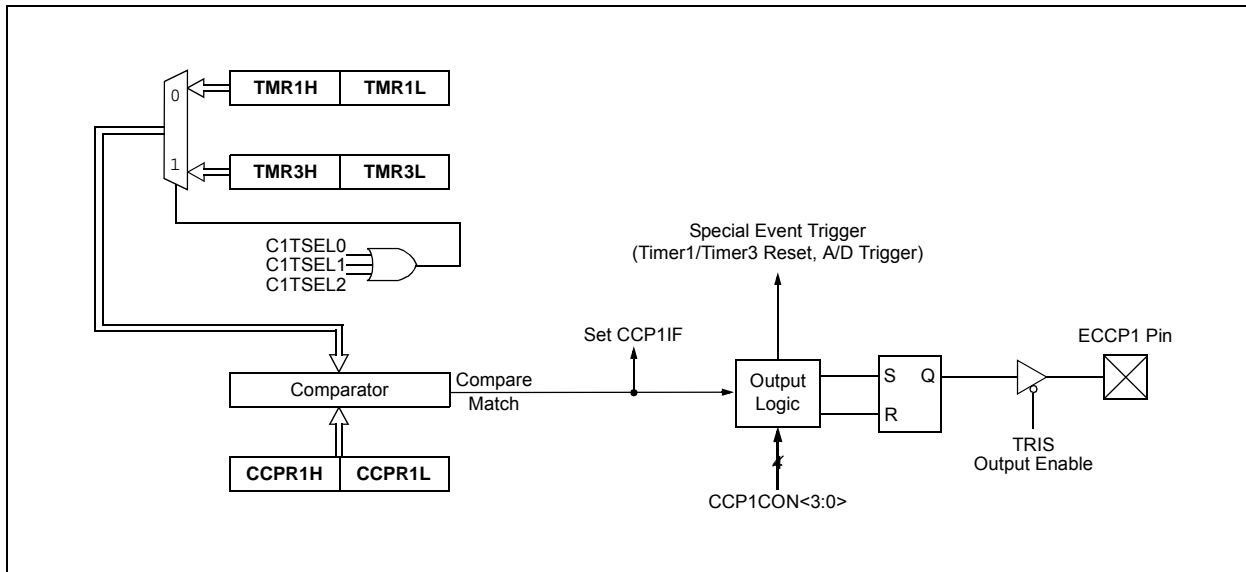
### 19.3.4 SPECIAL EVENT TRIGGER

The ECCP module is equipped with a Special Event Trigger. This is an internal hardware signal generated in Compare mode to trigger actions by other modules. The Special Event Trigger is enabled by selecting the Compare Special Event Trigger mode (CCPxM<3:0> = 1011).

The Special Event Trigger resets the Timer register pair for whichever timer resource is currently assigned as the module's time base. This allows the CCPRx registers to serve as a programmable Period register for either timer.

The Special Event Trigger can also start an A/D conversion. In order to do this, the A/D Converter must already be enabled.

FIGURE 19-2: COMPARE MODE OPERATION BLOCK DIAGRAM





# PIC18F87K90 FAMILY

## 19.4 PWM (Enhanced Mode)

The Enhanced PWM mode can generate a PWM signal on up to four different output pins with up to 10 bits of resolution. It can do this through four different PWM Output modes:

- Single PWM
- Half-Bridge PWM
- Full-Bridge PWM, Forward mode
- Full-Bridge PWM, Reverse mode

To select an Enhanced PWM mode, the Pxm bits of the CCPxCON register must be set appropriately.

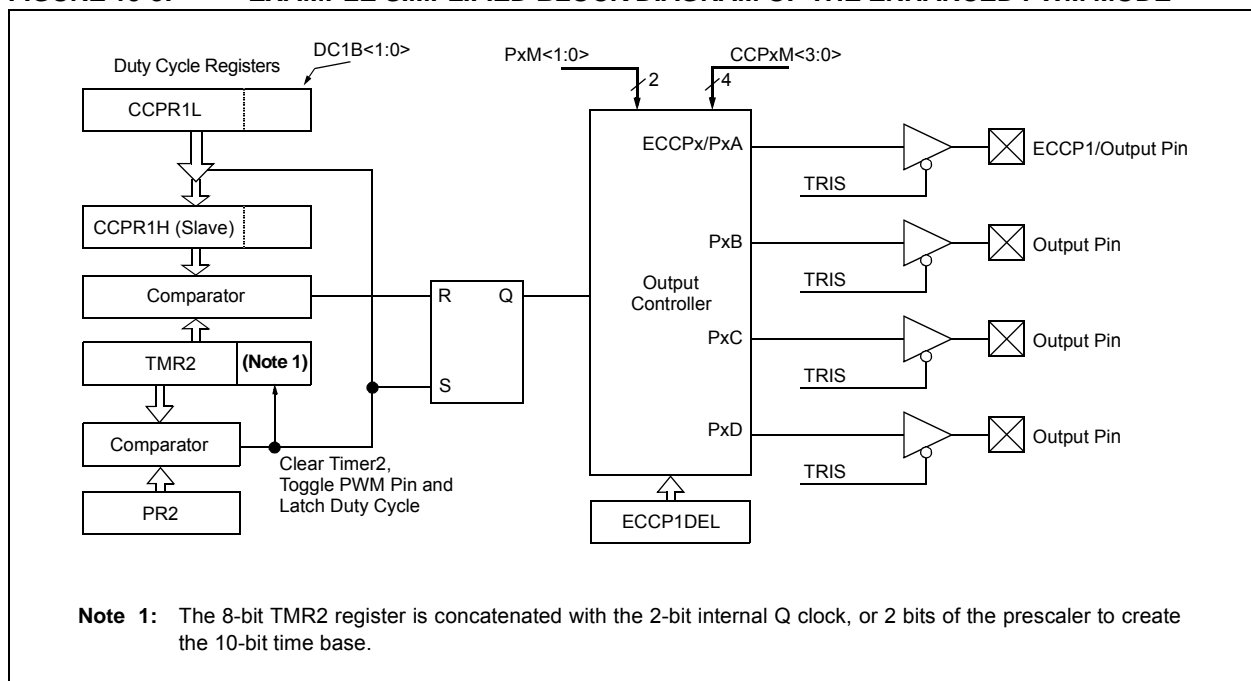
The PWM outputs are multiplexed with I/O pins and are designated: PxA, PxB, PxC and PxD. The polarity of the PWM pins is configurable and is selected by setting the CCPxM bits in the CCPxCON register appropriately.

Table 19-1 provides the pin assignments for each Enhanced PWM mode.

Figure 19-3 provides an example of a simplified block diagram of the Enhanced PWM module.

**Note:** To prevent the generation of an incomplete waveform when the PWM is first enabled, the ECCP module waits until the start of a new PWM period before generating a PWM signal.

FIGURE 19-3: EXAMPLE SIMPLIFIED BLOCK DIAGRAM OF THE ENHANCED PWM MODE



**Note:** The TRIS register value for each PWM output must be configured appropriately. Any pin not used by an Enhanced PWM mode is available for alternate pin functions.

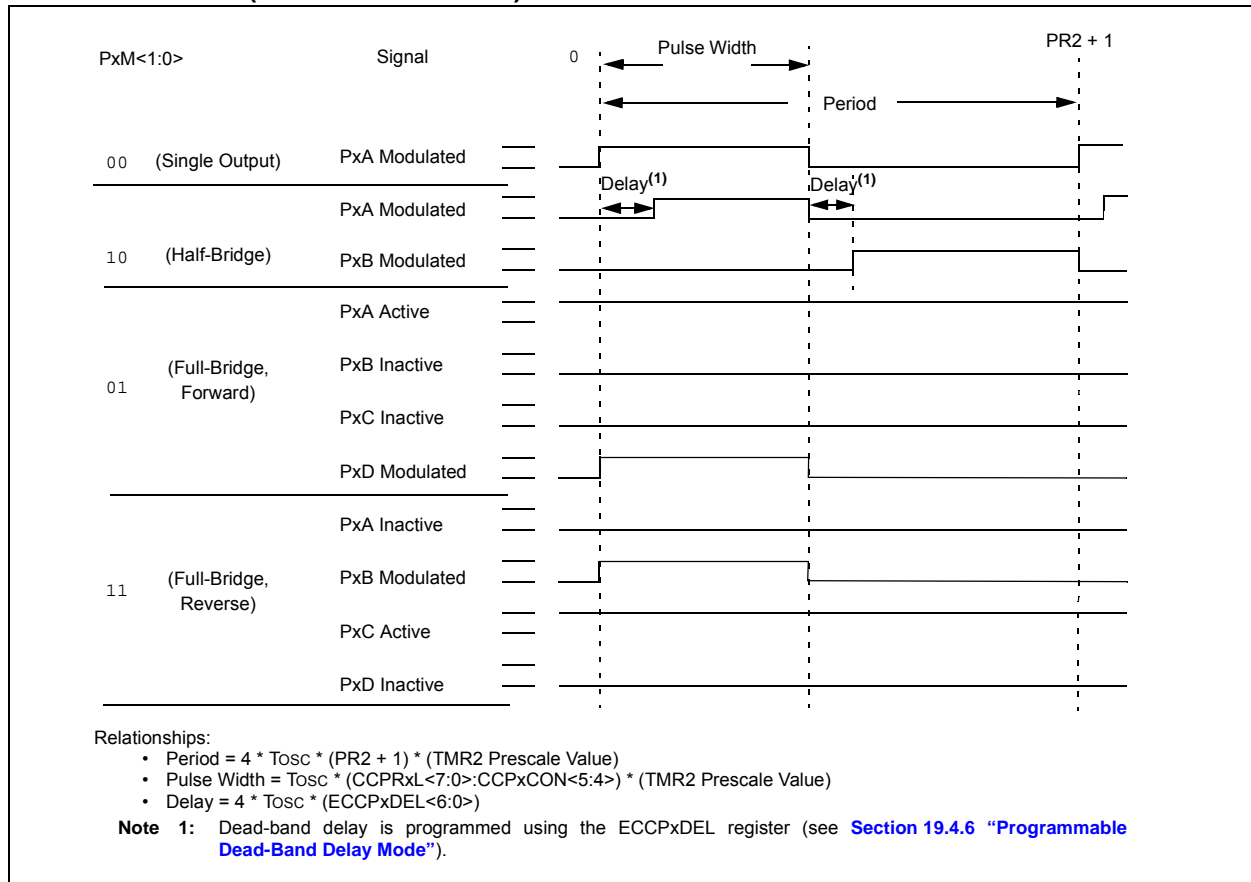
# PIC18F87K90 FAMILY

**TABLE 19-3: EXAMPLE PIN ASSIGNMENTS FOR VARIOUS PWM ENHANCED MODES**

| ECCP Mode            | PxM<1:0> | PxA                | PxB                | PxC                | PxD                |
|----------------------|----------|--------------------|--------------------|--------------------|--------------------|
| Single               | 00       | Yes <sup>(1)</sup> | Yes <sup>(1)</sup> | Yes <sup>(1)</sup> | Yes <sup>(1)</sup> |
| Half-Bridge          | 10       | Yes                | Yes                | No                 | No                 |
| Full-Bridge, Forward | 01       | Yes                | Yes                | Yes                | Yes                |
| Full-Bridge, Reverse | 11       | Yes                | Yes                | Yes                | Yes                |

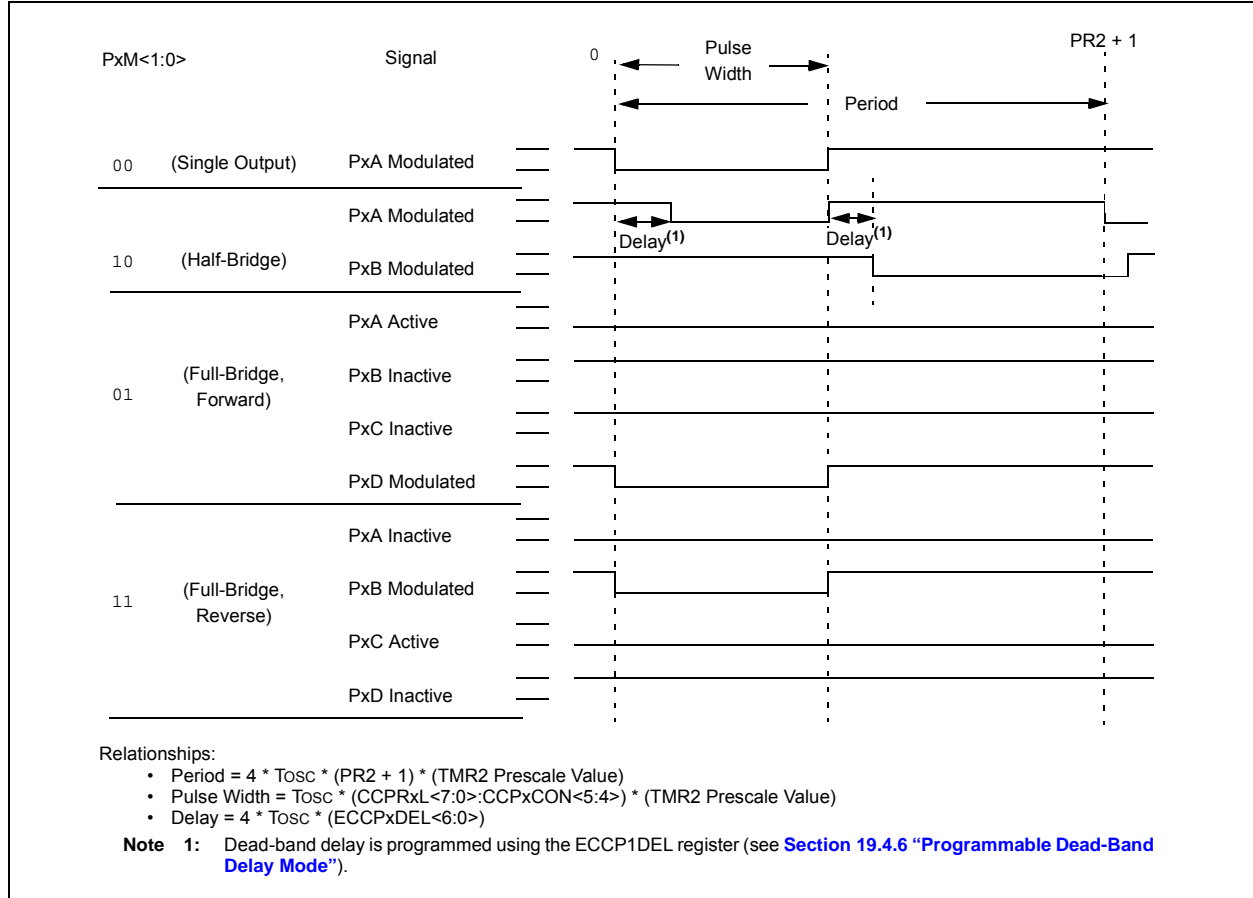
**Note 1:** Outputs are enabled by pulse steering in Single mode (see [Register 19-5](#)).

**FIGURE 19-4: EXAMPLE PWM (ENHANCED MODE) OUTPUT RELATIONSHIPS (ACTIVE-HIGH STATE)**



# PIC18F87K90 FAMILY

**FIGURE 19-5: EXAMPLE ENHANCED PWM OUTPUT RELATIONSHIPS (ACTIVE-LOW STATE)**



# PIC18F87K90 FAMILY

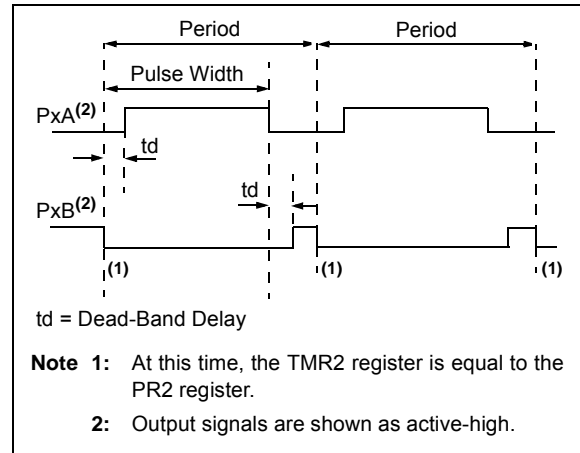
## 19.4.1 HALF-BRIDGE MODE

In Half-Bridge mode, two pins are used as outputs to drive push-pull loads. The PWM output signal is output on the PxA pin, while the complementary PWM output signal is output on the PxB pin (see Figure 19-6). This mode can be used for half-bridge applications, as shown in Figure 19-7, or for full-bridge applications, where four power switches are being modulated with two PWM signals.

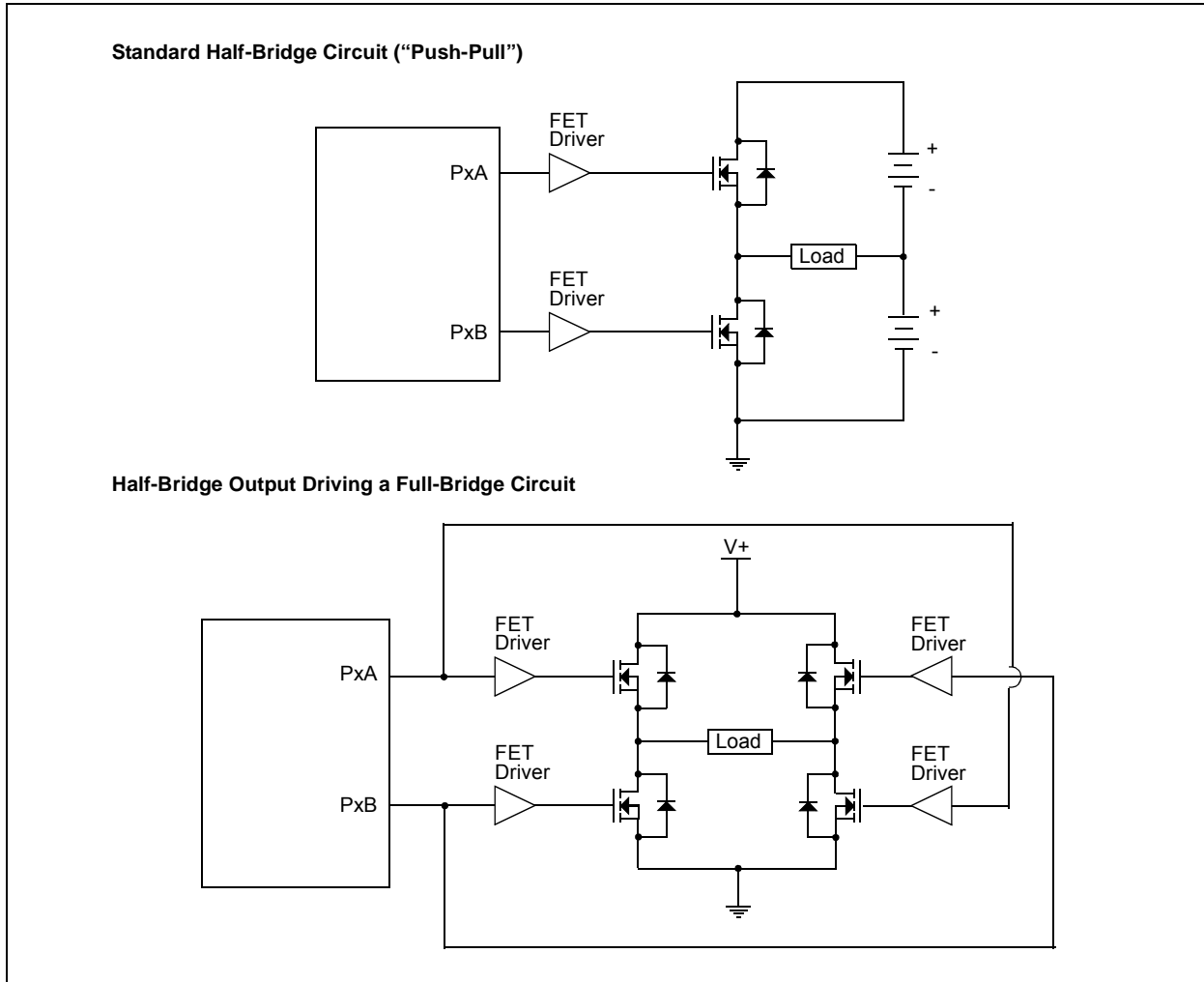
In Half-Bridge mode, the programmable dead-band delay can be used to prevent shoot-through current in half-bridge power devices. The value of the PxDC<6:0> bits of the ECCPxDEL register sets the number of instruction cycles before the output is driven active. If the value is greater than the duty cycle, the corresponding output remains inactive during the entire cycle. For more details on the dead-band delay operations, see Section 19.4.6 “Programmable Dead-Band Delay Mode”.

Since the PxA and PxB outputs are multiplexed with the PORT data latches, the associated TRIS bits must be cleared to configure PxA and PxB as outputs.

**FIGURE 19-6: EXAMPLE OF HALF-BRIDGE PWM OUTPUT**



**FIGURE 19-7: EXAMPLE OF HALF-BRIDGE APPLICATIONS**



## 19.4.2 FULL-BRIDGE MODE

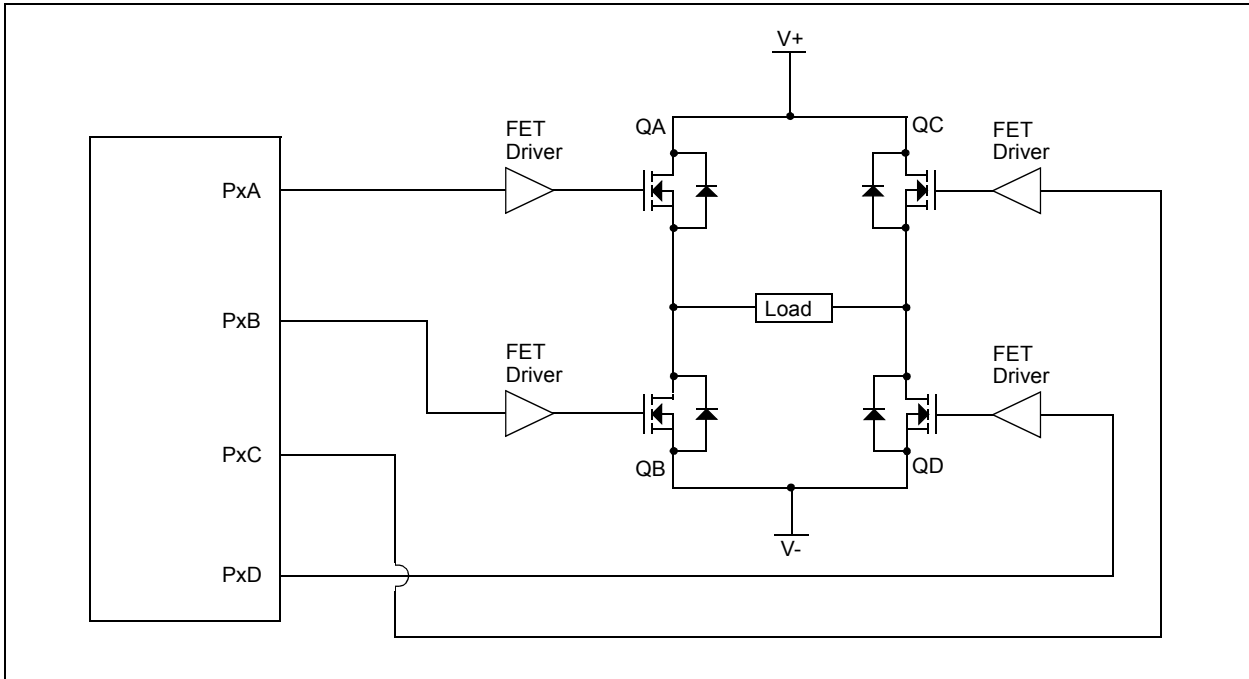
In Full-Bridge mode, all four pins are used as outputs. An example of a full-bridge application is provided in [Figure 19-8](#).

In the Forward mode, the PxA pin is driven to its active state and the PxD pin is modulated, while the PxB and PxC pins are driven to their inactive state, as provided in [Figure 19-9](#).

In the Reverse mode, the PxC pin is driven to its active state and the PxB pin is modulated, while the PxA and PxD pins are driven to their inactive state, as provided in [Figure 19-9](#).

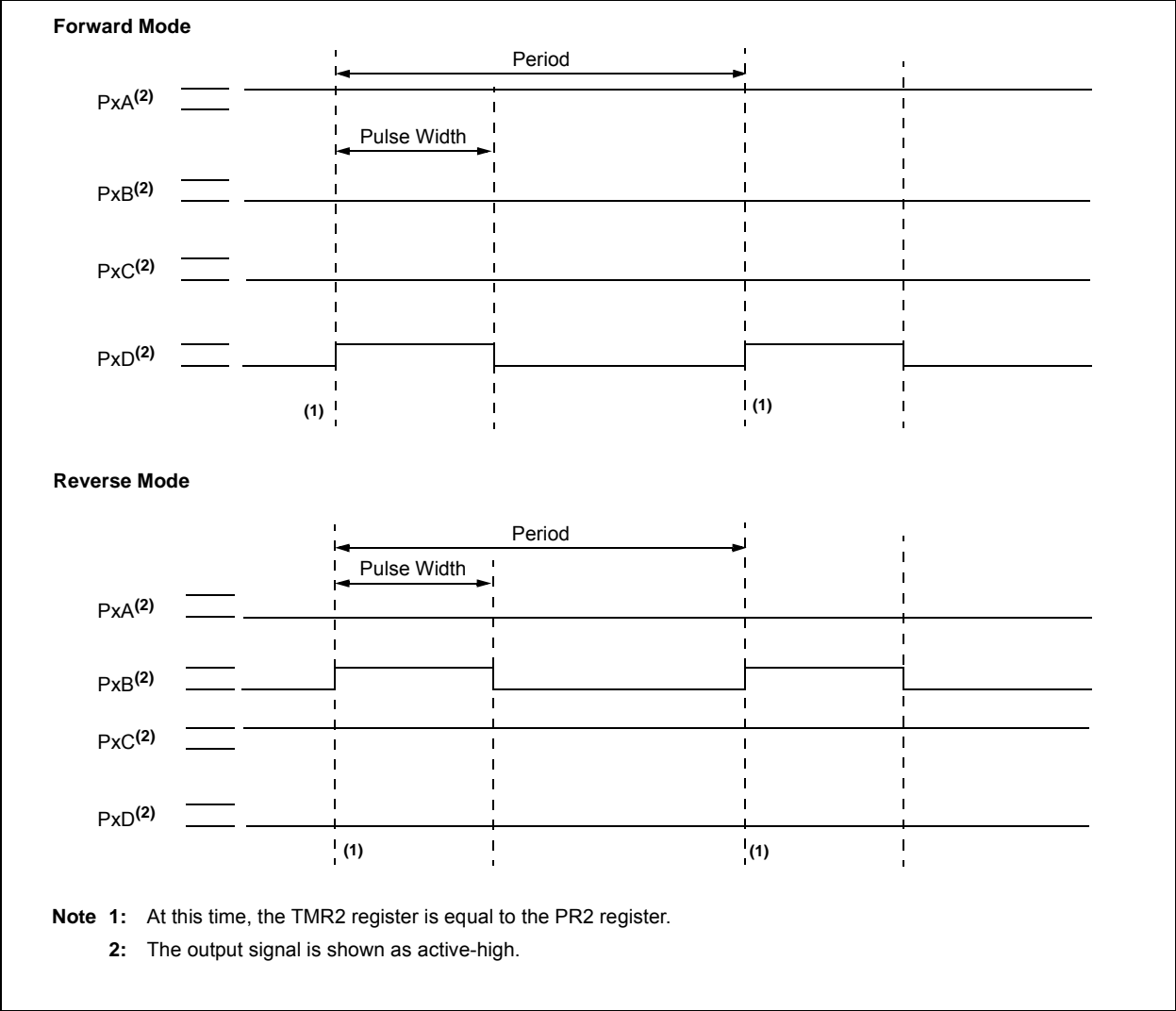
The PxA, PxB, PxC and PxD outputs are multiplexed with the PORT data latches. The associated TRIS bits must be cleared to configure the PxA, PxB, PxC and PxD pins as outputs.

**FIGURE 19-8: EXAMPLE OF FULL-BRIDGE APPLICATION**



# PIC18F87K90 FAMILY

**FIGURE 19-9: EXAMPLE OF FULL-BRIDGE PWM OUTPUT**



## 19.4.2.1 Direction Change in Full-Bridge Mode

In the Full-Bridge mode, the PxM1 bit in the CCPxCON register allows users to control the forward/reverse direction. When the application firmware changes this direction control bit, the module will change to the new direction on the next PWM cycle.

A direction change is initiated in software by changing the PxM1 bit of the CCPxCON register. The following sequence occurs prior to the end of the current PWM period:

- The modulated outputs (PxB and PxD) are placed in their inactive state.
- The associated unmodulated outputs (PxA and PxC) are switched to drive in the opposite direction.
- PWM modulation resumes at the beginning of the next period.

For an illustration of this sequence, see [Figure 19-10](#).

The Full-Bridge mode does not provide a dead-band delay. As one output is modulated at a time, a dead-band delay is generally not required. There is a situation where a dead-band delay is required. This situation occurs when both of the following conditions are true:

- The direction of the PWM output changes when the duty cycle of the output is at or near 100%.
- The turn-off time of the power switch, including the power device and driver circuit, is greater than the turn-on time.

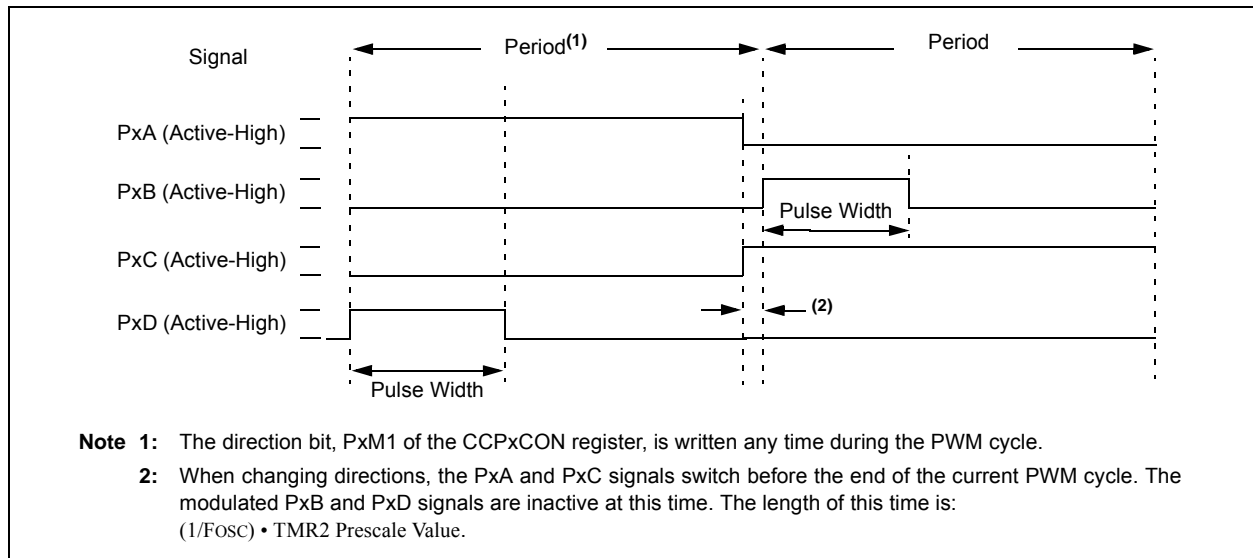
[Figure 19-11](#) shows an example of the PWM direction changing from forward to reverse, at a near 100% duty cycle. In this example, at time, t1, the PxA and PxD outputs become inactive, while the PxC output becomes active. Since the turn-off time of the power devices is longer than the turn-on time, a shoot-through current will flow through power devices, QC and QD (see [Figure 19-8](#)), for the duration of 't'. The same phenomenon will occur to power devices, QA and QB, for PWM direction change from reverse to forward.

If changing PWM direction at high duty cycle is required for an application, two possible solutions for eliminating the shoot-through current are:

- Reduce PWM duty cycle for one PWM period before changing directions.
- Use switch drivers that can drive the switches off faster than they can drive them on.

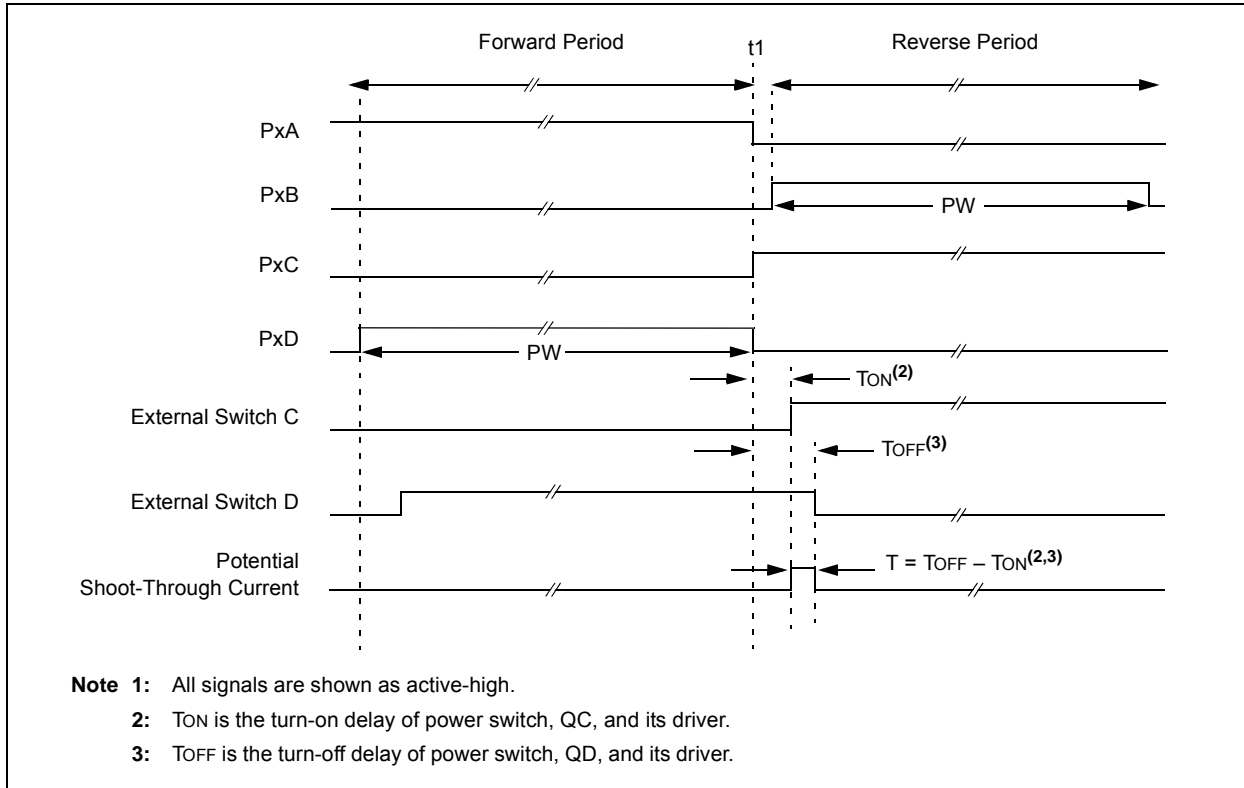
Other options to prevent shoot-through current may exist.

**FIGURE 19-10: EXAMPLE OF PWM DIRECTION CHANGE**



# PIC18F87K90 FAMILY

**FIGURE 19-11: EXAMPLE OF PWM DIRECTION CHANGE AT NEAR 100% DUTY CYCLE<sup>(1)</sup>**



## 19.4.3 START-UP CONSIDERATIONS

When any PWM mode is used, the application hardware must use the proper external pull-up and/or pull-down resistors on the PWM output pins.

**Note:** When the microcontroller is released from Reset, all of the I/O pins are in the High-Impedance state. The external circuits must keep the power switch devices in the OFF state until the microcontroller drives the I/O pins with the proper signal levels or activates the PWM output(s).

The  $CCPxM<1:0>$  bits of the  $CCPxCON$  register allow the user to choose whether the PWM output signals are active-high or active-low for each pair of PWM output pins (PxA/PxC and PxB/PxD). The PWM output polarities must be selected before the PWM pin output drivers are enabled. Changing the polarity configuration while the PWM pin output drivers are enabled is not recommended since it may result in damage to the application circuits.

The PxA, PxB, PxC and PxD output latches may not be in the proper states when the PWM module is initialized. Enabling the PWM pin output drivers at the same time as the Enhanced PWM modes may cause damage to the application circuit. The Enhanced PWM modes must be enabled in the proper Output mode and

complete a full PWM cycle before enabling the PWM pin output drivers. The completion of a full PWM cycle is indicated by the TMR2IF or TMR4IF bit of the PIR1 or PIR5 register being set as the second PWM period begins.

## 19.4.4 ENHANCED PWM AUTO-SHUTDOWN MODE

The PWM mode supports an Auto-Shutdown mode that will disable the PWM outputs when an external shutdown event occurs. Auto-Shutdown mode places the PWM output pins into a predetermined state. This mode is used to help prevent the PWM from damaging the application.

The auto-shutdown sources are selected using the  $ECCPxAS<2:0>$  bits ( $ECCPxAS<6:4>$ ). A shutdown event may be generated by:

- A logic '0' on the pin that is assigned the FLT0 input function
- Comparator C1
- Comparator C2
- Setting the  $ECCPxASE$  bit in firmware

A shutdown condition is indicated by the  $ECCPxASE$  (Auto-Shutdown Event Status) bit ( $ECCPxAS<7>$ ). If the bit is a '0', the PWM pins are operating normally. If the bit is a '1', the PWM outputs are in the shutdown state.



# PIC18F87K90 FAMILY

When a shutdown event occurs, two things happen:

- The ECCPxASE bit is set to '1'. The ECCPxASE will remain set until cleared in firmware or an auto-restart occurs. (See [Section 19.4.5 "Auto-Restart Mode"](#).)
- The enabled PWM pins are asynchronously placed in their shutdown states. The PWM output pins are grouped into pairs: PxA/PxC and PxB/PxD. The state of each pin pair is determined by the PSSxAC and PSSxBD bits (ECCPxAS<3:2> and <1:0>, respectively).

Each pin pair may be placed into one of three states:

- Drive logic '1'
- Drive logic '0'
- Tri-state (high-impedance)

**REGISTER 19-3: ECCPxAS: ECCPx AUTO-SHUTDOWN CONTROL REGISTER**

|          |          |          |          |         |         |         |         |
|----------|----------|----------|----------|---------|---------|---------|---------|
| R/W-0    | R/W-0    | R/W-0    | R/W-0    | R/W-0   | R/W-0   | R/W-0   | R/W-0   |
| ECCPxASE | ECCPxAS2 | ECCPxAS1 | ECCPxAS0 | PSSxAC1 | PSSxAC0 | PSSxBD1 | PSSxBD0 |
| bit 7    |          |          |          |         |         |         | bit 0   |

**Legend:**

|                   |                  |                                    |
|-------------------|------------------|------------------------------------|
| R = Readable bit  | W = Writable bit | U = Unimplemented bit, read as '0' |
| -n = Value at POR | '1' = Bit is set | '0' = Bit is cleared               |
|                   |                  | x = Bit is unknown                 |

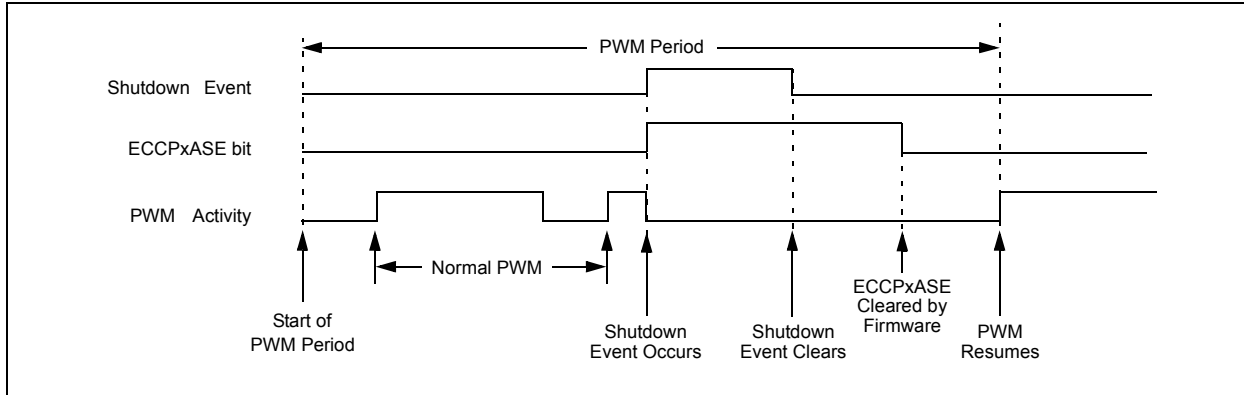
- bit 7      **ECCPxASE:** ECCP Auto-Shutdown Event Status bit  
 1 = A shutdown event has occurred; ECCP outputs are in a shutdown state  
 0 = ECCP outputs are operating
- bit 6-4    **ECCPxAS<2:0>:** ECCP Auto-Shutdown Source Select bits  
 000 = Auto-shutdown is disabled  
 001 = Comparator C1OUT output is high  
 010 = Comparator C2OUT output is high  
 011 = Either Comparator C1OUT or C2OUT is high  
 100 = VIL on FLT0 pin  
 101 = VIL on FLT0 pin or Comparator C1OUT output is high  
 110 = VIL on FLT0 pin or Comparator C2OUT output is high  
 111 = VIL on FLT0 pin, Comparator C1OUT or Comparator C2OUT is high
- bit 3-2    **PSSxAC<1:0>:** Pins PxA and PxC Shutdown State Control bits  
 00 = Drive the PxA and PxC pins to '0'  
 01 = Drive the PxA and PxC pins to '1'  
 1x = PxA and PxC pins tri-state
- bit 1-0    **PSSxBD<1:0>:** Pins PxB and PxD Shutdown State Control bits  
 00 = Drive the PxB and PxD pins to '0'  
 01 = Drive the PxB and PxD pins to '1'  
 1x = PxB and PxD pins tri-state

**Note:** The auto-shutdown condition is a level-based signal, not an edge-based signal. As long as the level is present, the auto-shutdown will persist.

Writing to the ECCPxASE bit is disabled while an auto-shutdown condition persists. Once the auto-shutdown condition has been removed and the PWM restarted (either through firmware or auto-restart), the PWM signal will always restart at the beginning of the next PWM period.

# PIC18F87K90 FAMILY

**FIGURE 19-12: PWM AUTO-SHUTDOWN WITH FIRMWARE RESTART (PxRSEN = 0)**



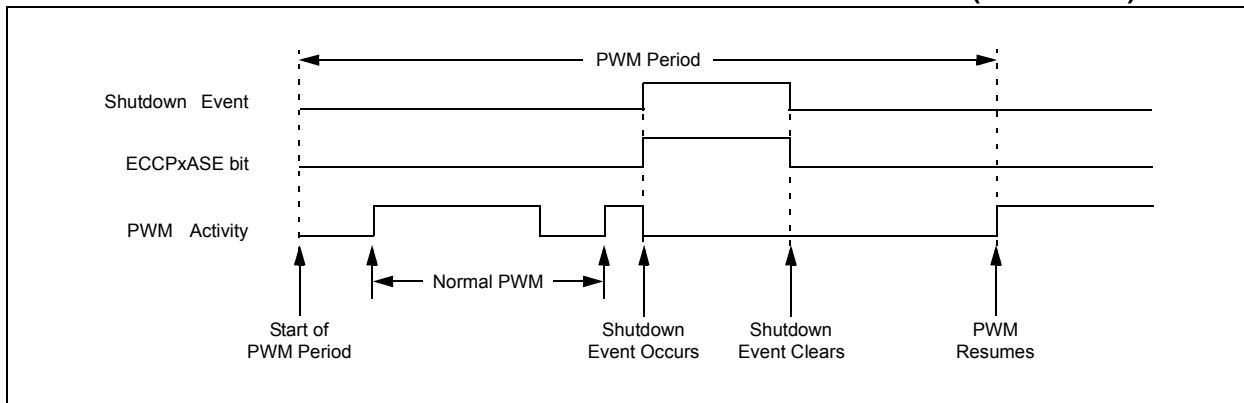
## 19.4.5 AUTO-RESTART MODE

The Enhanced PWM can be configured to automatically restart the PWM signal once the auto-shutdown condition has been removed. Auto-restart is enabled by setting the PxRSEN bit (ECCPxDEL<7>).

If auto-restart is enabled, the ECCPxASE bit will remain set as long as the auto-shutdown condition is active. When the auto-shutdown condition is removed, the ECCPxASE bit will be cleared via hardware and normal operation will resume.

The module will wait until the next PWM period begins, however, before re-enabling the output pin. This behavior allows the auto-shutdown with auto-restart features to be used in applications based on current mode of PWM control.

**FIGURE 19-13: PWM AUTO-SHUTDOWN WITH AUTO-RESTART ENABLED (PxRSEN = 1)**

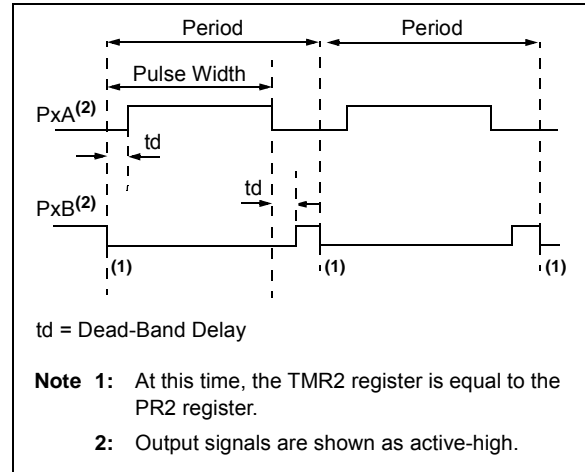


## 19.4.6 PROGRAMMABLE DEAD-BAND DELAY MODE

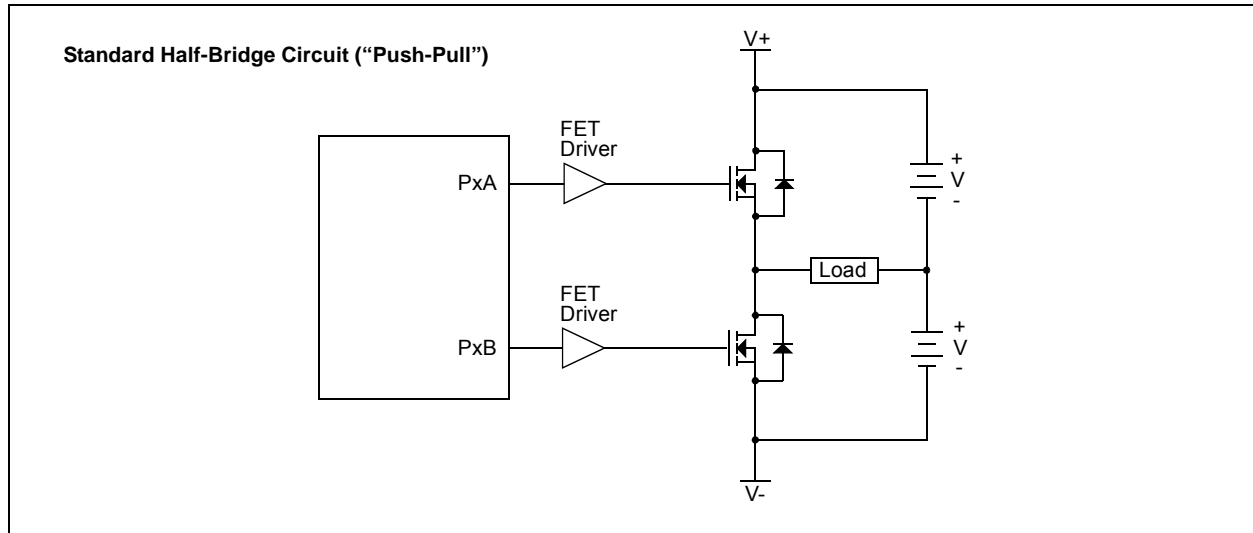
In half-bridge applications, where all power switches are modulated at the PWM frequency, the power switches normally require more time to turn off than to turn on. If both the upper and lower power switches are switched at the same time (one turned on and the other turned off), both switches may be on for a short period until one switch completely turns off. During this brief interval, a very high current (shoot-through current) will flow through both power switches, shorting the bridge supply. To avoid this potentially destructive shoot-through current from flowing during switching, turning on either of the power switches is normally delayed to allow the other switch to completely turn off.

In Half-Bridge mode, a digitally programmable dead-band delay is available to avoid shoot-through current from destroying the bridge power switches. The delay occurs at the signal transition from the non-active state to the active state. For an illustration, see [Figure 19-14](#). The lower seven bits of the associated ECCPxDEL register ([Register 19-4](#)) set the delay period in terms of microcontroller instruction cycles ( $T_{CY}$  or  $4 T_{OSC}$ ).

**FIGURE 19-14: EXAMPLE OF HALF-BRIDGE PWM OUTPUT**



**FIGURE 19-15: EXAMPLE OF HALF-BRIDGE APPLICATIONS**



# PIC18F87K90 FAMILY

## REGISTER 19-4: ECCPxDEL: ENHANCED PWM CONTROL REGISTER

|        |       |       |       |       |       |       |       |
|--------|-------|-------|-------|-------|-------|-------|-------|
| R/W-0  | R/W-0 | R/W-0 | R/W-0 | R/W-0 | R/W-0 | R/W-0 | R/W-0 |
| PxRSEN | PxDC6 | PxDC5 | PxDC4 | PxDC3 | PxDC2 | PxDC1 | PxDC0 |
| bit 7  |       |       |       |       |       |       | bit 0 |

### Legend:

|                   |                  |  |
|-------------------|------------------|--|
| R = Readable bit  | W = Writable bit | U = Unimplemented bit, read as '0'           |
| -n = Value at POR | '1' = Bit is set | '0' = Bit is cleared      x = Bit is unknown |

bit 7      **PxRSEN:** PWM Restart Enable bit  
 1 = Upon auto-shutdown, the ECCPxASE bit clears automatically once the shutdown event goes away; the PWM restarts automatically  
 0 = Upon auto-shutdown, ECCPxASE must be cleared by software to restart the PWM

bit 6-0      **PxDC<6:0>:** PWM Delay Count bits  
 PxDCn = Number of Fosc/4 (4 \* Tosc) cycles between the scheduled time when a PWM signal **should** transition active and the **actual** time it does transition active.

### 19.4.7 PULSE STEERING MODE

In Single Output mode, pulse steering allows any of the PWM pins to be the modulated signal. Additionally, the same PWM signal can simultaneously be available on multiple pins.

Once the Single Output mode is selected (CCPxM<3:2> = 11 and PxM<1:0> = 00 of the CCPxCON register), the user firmware can bring out the same PWM signal to one, two, three or four output pins by setting the appropriate STR<D:A> bits (PSTRxCON<3:0>), as provided in [Table 19-3](#).

While the PWM Steering mode is active, the CCPxM<1:0> bits (CCPxCON<1:0>) select the PWM output polarity for the Px<D:A> pins.

The PWM auto-shutdown operation also applies to the PWM Steering mode, as described in [Section 19.4.4 "Enhanced PWM Auto-shutdown mode"](#). An auto-shutdown event will only affect pins that have PWM outputs enabled.

**Note:** The associated TRIS bits must be set to output ('0') to enable the pin output driver in order to see the PWM signal on the pin.

# PIC18F87K90 FAMILY

**REGISTER 19-5: PSTRxCON: PULSE STEERING CONTROL<sup>(1)</sup>**

|       |       |     |         |       |       |       |       |
|-------|-------|-----|---------|-------|-------|-------|-------|
| R/W-0 | R/W-0 | U-0 | R/W-0   | R/W-0 | R/W-0 | R/W-0 | R/W-1 |
| CMPL1 | CMPL0 | —   | STRSYNC | STRD  | STRC  | STRB  | STRA  |
| bit 7 |       |     |         |       |       |       | bit 0 |

**Legend:**

|                   |                  |  |
|-------------------|------------------|--|
| R = Readable bit  | W = Writable bit | U = Unimplemented bit, read as '0'           |
| -n = Value at POR | '1' = Bit is set | '0' = Bit is cleared      x = Bit is unknown |

bit 7-6      **CMPL<1:0>**: Complementary Mode Output Assignment Steering Sync bits

- 00 = See STRD:STRA
- 01 = PA and PB are selected as the complementary output pair
- 10 = PA and PC are selected as the complementary output pair
- 11 = PA and PD are selected as the complementary output pair

bit 5      **Unimplemented**: Read as '0'

bit 4      **STRSYNC**: Steering Sync bit

- 1 = Output steering update occurs on the next PWM period
- 0 = Output steering update occurs at the beginning of the instruction cycle boundary

bit 3      **STRD**: Steering Enable Bit D

- 1 = PxD pin has the PWM waveform with polarity control from CCPxM<1:0>
- 0 = PxD pin is assigned to a PORT pin

bit 2      **STRC**: Steering Enable Bit C

- 1 = PxC pin has the PWM waveform with polarity control from CCPxM<1:0>
- 0 = PxC pin is assigned to a PORT pin

bit 1      **STRB**: Steering Enable Bit B

- 1 = PxB pin has the PWM waveform with polarity control from CCPxM<1:0>
- 0 = PxB pin is assigned to a PORT pin

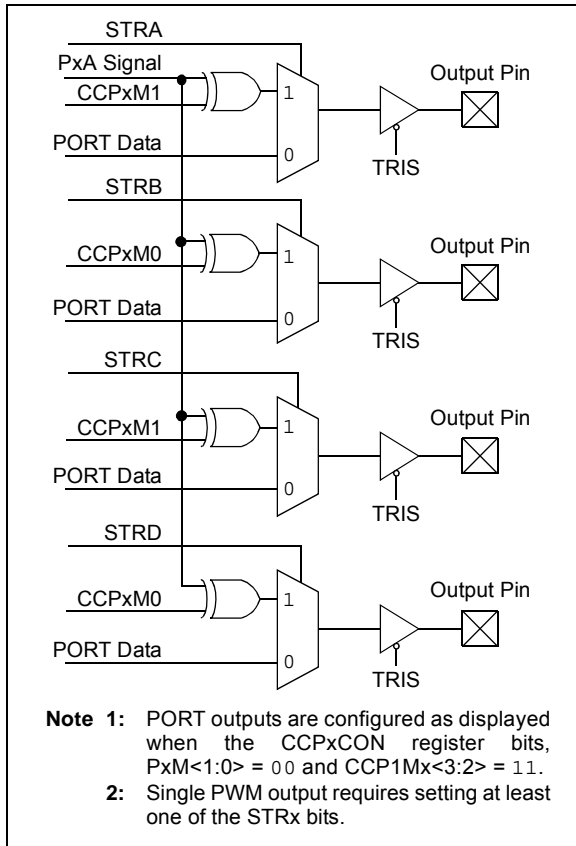
bit 0      **STRA**: Steering Enable Bit A

- 1 = PxA pin has the PWM waveform with polarity control from CCPxM<1:0>
- 0 = PxA pin is assigned to a PORT pin

**Note 1:** The PWM Steering mode is available only when the CCPxCON register bits, CCPxM<3:2> = 11 and Pxm<1:0> = 00.

# PIC18F87K90 FAMILY

**FIGURE 19-16: SIMPLIFIED STEERING BLOCK DIAGRAM**



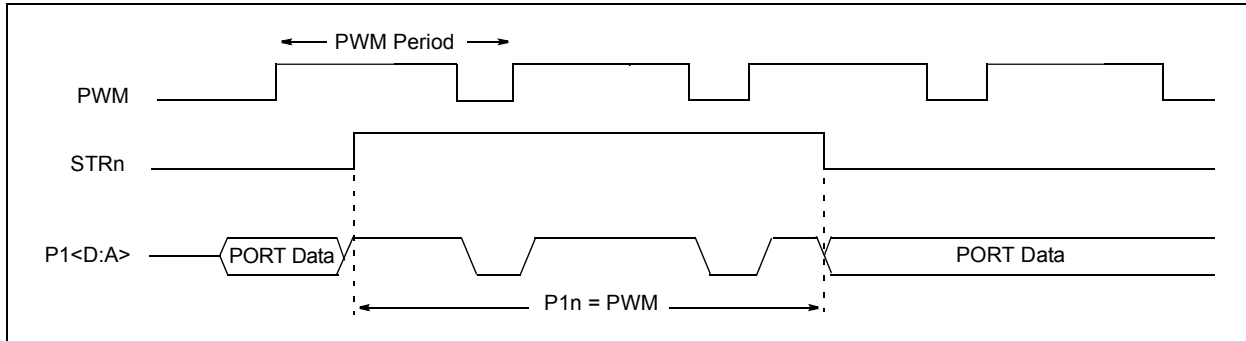
## 19.4.7.1 Steering Synchronization

The STRSYNC bit of the PSTRxCON register gives the user two choices for when the steering event will happen. When the STRSYNC bit is '0', the steering event will happen at the end of the instruction that writes to the PSTRxCON register. In this case, the output signal at the Px<D:A> pins may be an incomplete PWM waveform. This operation is useful when the user firmware needs to immediately remove a PWM signal from the pin.

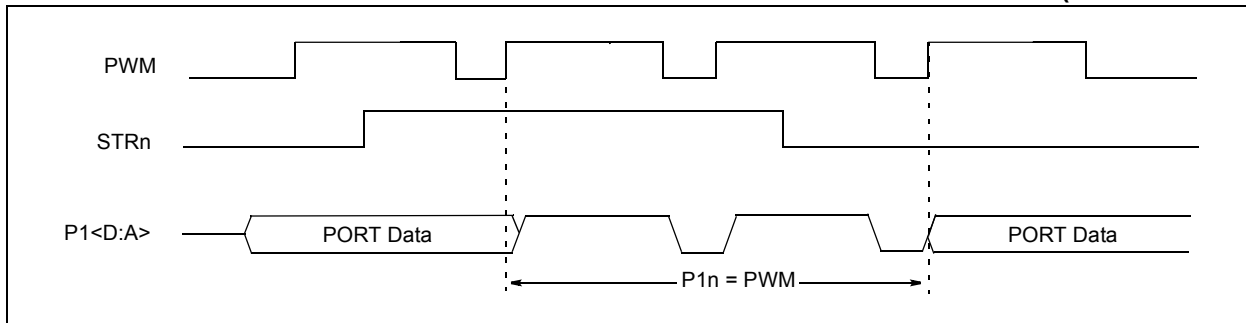
When the STRSYNC bit is '1', the effective steering update will happen at the beginning of the next PWM period. In this case, steering on/off the PWM output will always produce a complete PWM waveform.

Figures 19-17 and 19-18 illustrate the timing diagrams of the PWM steering depending on the STRSYNC setting.

**FIGURE 19-17: EXAMPLE OF STEERING EVENT AT END OF INSTRUCTION (STRSYNC = 0)**



**FIGURE 19-18: EXAMPLE OF STEERING EVENT AT BEGINNING OF INSTRUCTION (STRSYNC = 1)**



## 19.4.8 OPERATION IN POWER-MANAGED MODES

In Sleep mode, all clock sources are disabled. Timer2/4/6/8 will not increment and the state of the module will not change. If the ECCPx pin is driving a value, it will continue to drive that value. When the device wakes up, it will continue from this state. If Two-Speed Start-ups are enabled, the initial start-up frequency from HF-INTOSC and the postscaler may not be immediately stable.

In PRI\_IDLE mode, the primary clock will continue to clock the ECCPx module without change.

## 19.4.8.1 Operation with Fail-Safe Clock Monitor (FSCM)

If the Fail-Safe Clock Monitor (FSCM) is enabled, a clock failure will force the device into the power-managed RC\_RUN mode and the OSCFIF bit of the PIR2/4/6/8 register will be set. The ECCPx will then be clocked from the internal oscillator clock source, which may have a different clock frequency than the primary clock.

## 19.4.9 EFFECTS OF A RESET

Both Power-on Reset and subsequent Resets will force all ports to Input mode and the ECCP registers to their Reset states. This forces the ECCP module to reset to a state compatible with previous, non-Enhanced CCP modules used on other PIC18 and PIC16 devices.

# PIC18F87K90 FAMILY

**TABLE 19-4: REGISTERS ASSOCIATED WITH ECCP1/2/3 MODULE AND TIMER1/2/3/4/6/8/10/12**

| File Name             | Bit 7                                   | Bit 6                 | Bit 5           | Bit 4           | Bit 3           | Bit 2               | Bit 1            | Bit 0            | Reset Values on Page: |
|-----------------------|---|-----------------------|-----------------|-----------------|-----------------|---------------------|------------------|------------------|-----------------------|
| INTCON                | GIE/GIEH                                | PEIE/GIEL             | TMR0IE          | INT0IE          | RBIE            | TMR0IF              | INT0IF           | RBIF             | 75                    |
| RCON                  | IPEN                                    | SBOREN                | $\overline{CM}$ | $\overline{RI}$ | $\overline{TO}$ | $\overline{PD}$     | $\overline{POR}$ | $\overline{BOR}$ | 76                    |
| PIR3                  | TMR5GIF                                 | LCDIF                 | RC2IF           | TX2IF           | CTMUIF          | CCP2IF              | CCP1IF           | RTCCIF           | 77                    |
| PIR4                  | CCP10IF <sup>(1)</sup>                  | CCP9IF <sup>(1)</sup> | CCP8IF          | CCP7IF          | CCP6IF          | CCP5IF              | CCP4IF           | CCP3IF           | 77                    |
| PIE3                  | TMR5GIE                                 | LCDIE                 | RC2IE           | TX2IE           | CTMUIE          | CCP2IE              | CCP1IE           | RTCCIE           | 77                    |
| PIE4                  | CCP10IE <sup>(1)</sup>                  | CCP9IE <sup>(1)</sup> | CCP8IE          | CCP7IE          | CCP6IE          | CCP5IE              | CCP4IE           | CCP3IE           | 77                    |
| IPR3                  | TMR5GIP                                 | LCDIP                 | RC2IP           | TX2IP           | CTMUIP          | CCP2IP              | CCP1IP           | RTCCIP           | 77                    |
| IPR4                  | CCP10IP <sup>(1)</sup>                  | CCP9IP <sup>(1)</sup> | CCP8IP          | CCP7IP          | CCP6IP          | CCP5IP              | CCP4IP           | CCP3IP           | 77                    |
| TRISB                 | TRISB7                                  | TRISB6                | TRISB5          | TRISB4          | TRISB3          | TRISB2              | TRISB1           | TRISB0           | 78                    |
| TRISC                 | TRISC7                                  | TRISC6                | TRISC5          | TRISC4          | TRISC3          | TRISC2              | TRISC1           | TRISC0           | 78                    |
| TRISE                 | TRISE7                                  | TRISE6                | TRISE5          | TRISE4          | TRISE3          | TRISE2              | TRISE1           | TRISE0           | 78                    |
| TRISH <sup>(2)</sup>  | TRISH7                                  | TRISH6                | TRISH5          | TRISH4          | TRISH3          | TRISH2              | TRISH1           | TRISH0           | 78                    |
| TMR1H                 | Timer1 Register High Byte               |                       |                 |                 |                 |                     |                  |                  | 76                    |
| TMR1L                 | Timer1 Register Low Byte                |                       |                 |                 |                 |                     |                  |                  | 76                    |
| TMR2                  | Timer2 Register                         |                       |                 |                 |                 |                     |                  |                  | 76                    |
| TMR3H                 | Timer3 Register High Byte               |                       |                 |                 |                 |                     |                  |                  | 77                    |
| TMR3L                 | Timer3 Register Low Byte                |                       |                 |                 |                 |                     |                  |                  | 77                    |
| TMR4                  | Timer4 Register                         |                       |                 |                 |                 |                     |                  |                  | 82                    |
| TMR6                  | Timer6 Register                         |                       |                 |                 |                 |                     |                  |                  | 81                    |
| TMR8                  | Timer8 Register                         |                       |                 |                 |                 |                     |                  |                  | 81                    |
| TMR10 <sup>(1)</sup>  | TMR10 Register                          |                       |                 |                 |                 |                     |                  |                  | 81                    |
| TMR12 <sup>(1)</sup>  | TMR10 Register                          |                       |                 |                 |                 |                     |                  |                  | 81                    |
| PR2                   | Timer2 Period Register                  |                       |                 |                 |                 |                     |                  |                  | 76                    |
| PR4                   | Timer4 Period Register                  |                       |                 |                 |                 |                     |                  |                  | 82                    |
| PR6                   | Timer6 Period Register                  |                       |                 |                 |                 |                     |                  |                  | 81                    |
| PR8                   | Timer8 Period Register                  |                       |                 |                 |                 |                     |                  |                  | 81                    |
| PR10                  | Timer10 Period Register                 |                       |                 |                 |                 |                     |                  |                  | 81                    |
| PR12                  | Timer12 Period Register                 |                       |                 |                 |                 |                     |                  |                  | 81                    |
| T1CON                 | TMR1CS1                                 | TMR1CS0               | T1CKPS1         | T1CKPS0         | SOSCEN          | $\overline{T1SYNC}$ | RD16             | TMR1ON           | 76                    |
| T2CON                 | —                                       | T2OUTPS3              | T2OUTPS2        | T2OUTPS1        | T2OUTPS0        | TMR2ON              | T2CKPS1          | T2CKPS0          | 76                    |
| T3CON                 | TMR3CS1                                 | TMR3CS0               | T3CKPS1         | T3CKPS0         | SOSCEN          | $\overline{T3SYNC}$ | RD16             | TMR3ON           | 77                    |
| T4CON                 | —                                       | T4OUTPS3              | T4OUTPS2        | T4OUTPS1        | T4OUTPS0        | TMR4ON              | T4CKPS1          | T4CKPS0          | 82                    |
| T6CON                 | —                                       | T6OUTPS3              | T6OUTPS2        | T6OUTPS1        | T6OUTPS0        | TMR6ON              | T6CKPS1          | T6CKPS0          | 81                    |
| T8CON                 | —                                       | T8OUTPS3              | T8OUTPS2        | T8OUTPS1        | T8OUTPS0        | TMR8ON              | T8CKPS1          | T8CKPS0          | 81                    |
| T10CON <sup>(1)</sup> | —                                       | T10OUTPS3             | T10OUTPS2       | T10OUTPS1       | T10OUTPS0       | TMR10ON             | T10CKPS1         | T10CKPS0         | 81                    |
| T12CON <sup>(1)</sup> | —                                       | T12OUTPS3             | T12OUTPS2       | T12OUTPS1       | T12OUTPS0       | TMR12ON             | T12CKPS1         | T12CKPS0         | 81                    |
| CCPR1H                | Capture/Compare/PWM Register1 High Byte |                       |                 |                 |                 |                     |                  |                  | 77                    |
| CCPR1L                | Capture/Compare/PWM Register1 Low Byte  |                       |                 |                 |                 |                     |                  |                  | 77                    |
| CCPR2H                | Capture/Compare/PWM Register2 High Byte |                       |                 |                 |                 |                     |                  |                  | 80                    |
| CCPR2L                | Capture/Compare/PWM Register2 Low Byte  |                       |                 |                 |                 |                     |                  |                  | 80                    |
| CCPR3H                | Capture/Compare/PWM Register3 High Byte |                       |                 |                 |                 |                     |                  |                  | 80                    |
| CCPR3L                | Capture/Compare/PWM Register3 Low Byte  |                       |                 |                 |                 |                     |                  |                  | 80                    |
| CCP1CON               | P1M1                                    | P1M0                  | DC1B1           | DC1B0           | CCP1M3          | CCP1M2              | CCP1M1           | CCP1M0           | 77                    |
| CCP2CON               | P2M1                                    | P2M0                  | DC2B1           | DC2B0           | CCP2M3          | CCP2M2              | CCP2M1           | CCP2M0           | 80                    |
| CCP3CON               | P3M1                                    | P3M0                  | DC3B1           | DC3B0           | CCP3M3          | CCP3M2              | CCP3M1           | CCP3M0           | 80                    |

**Note 1:** Unimplemented in devices with a program memory of 32 Kbytes (PIC18FX5K90).

**Note 2:** Unimplemented in PIC18F6XK90 devices.



## 20.0 LIQUID CRYSTAL DISPLAY (LCD) DRIVER MODULE

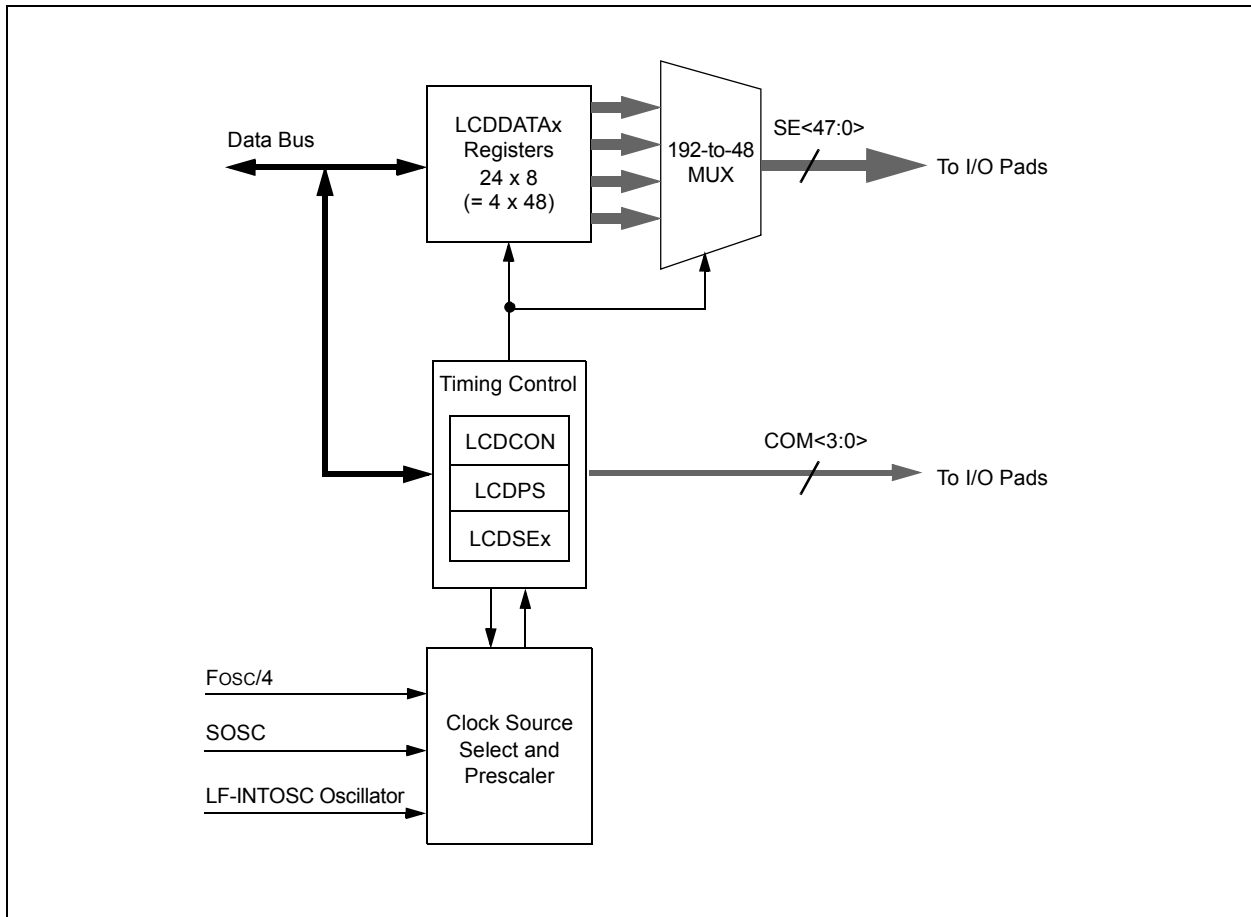
The Liquid Crystal Display (LCD) driver module generates the timing control to drive a static or multiplexed LCD panel. In the 80-pin devices (PIC18F8XK90), the module drives the panels of up to four commons and up to 48 segments and in the 64-pin devices (PIC18F6XK90), the module drives the panels of up to four commons and up to 33 segments. It also provides control of the LCD pixel data.

The LCD driver module supports:

- Direct driving of LCD panel
- Three LCD clock sources with selectable prescaler
- Up to four commons:
  - Static (One common)
  - 1/2 multiplex (two commons)
  - 1/3 multiplex (three commons)
  - 1/4 multiplex (four commons)
- Up to 48 (in 80-pin devices), 32 (in 64-pin devices) segments
- Static, 1/2 or 1/3 LCD bias
- Internal resistors for bias voltage generation
- Software contrast control for LCD using the internal biasing

A simplified block diagram of the module is shown in Figure 20-1.

**FIGURE 20-1: LCD DRIVER MODULE BLOCK DIAGRAM**



# PIC18F87K90 FAMILY

## 20.1 LCD Registers

The LCD driver module has 32 registers:

- LCD Control Register (LCDCON)
- LCD Phase Register (LCDPS)
- LCD Reference Ladder Register (LCDRL)
- LCD Reference Voltage Control Register (LCDREF)
- Six LCD Segment Enable Registers (LCDSE5:LCDSE0)
- 24 LCD Data Registers (LCDDATA23:LCDDATA0)

The LCDCON register, shown in [Register 20-1](#), controls the overall operation of the module. Once the module is configured, the LCDEN (LCDCON<7>) bit is used to enable or disable the LCD module. The LCD panel can also operate during Sleep by clearing the SLPEN (LCDCON<6>) bit.

The LCDPS register, shown in [Register 20-2](#), configures the LCD clock source prescaler and the type of waveform, Type-A or Type-B. For details on these features, see [Section 20.2 “LCD Clock Source Selection”](#), [Section 20.3 “LCD Bias Types”](#) and [Section 20.8 “LCD Waveform Generation”](#).

### REGISTER 20-1: LCDCON: LCD CONTROL REGISTER

|       |       |       |     |       |       |       |       |
|-------|-------|-------|-----|-------|-------|-------|-------|
| R/W-0 | R/W-0 | R/C-0 | U-0 | R/W-0 | R/W-0 | R/W-0 | R/W-0 |
| LCDEN | SLPEN | WERR  | —   | CS1   | CS0   | LMUX1 | LMUX0 |
| bit 7 |       |       |     |       |       |       | bit 0 |

|                   |                   |                                    |                    |
|-------------------|-------------------|------------------------------------|--------------------|
| <b>Legend:</b>    | C = Clearable bit |                                    |                    |
| R = Readable bit  | W = Writable bit  | U = Unimplemented bit, read as '0' |                    |
| -n = Value at POR | '1' = Bit is set  | '0' = Bit is cleared               | x = Bit is unknown |

- bit 7      **LCDEN:** LCD Driver Enable bit  
 1 = LCD driver module is enabled  
 0 = LCD driver module is disabled
- bit 6      **SLPEN:** LCD Driver Enable in Sleep mode bit  
 1 = LCD driver module is disabled in Sleep mode  
 0 = LCD driver module is enabled in Sleep mode
- bit 5      **WERR:** LCD Write Failed Error bit  
 1 = LCDDATAx register is written while WA (LCDPS<4>) = 0 (must be cleared in software)  
 0 = No LCD write error
- bit 4      **Unimplemented:** Read as '0'
- bit 3-2    **CS<1:0>:** Clock Source Select bits  
 00 = (Fosc/4)/8192  
 01 = SOSC oscillator/32  
 1x = INTRC (31.25 kHz)/32
- bit 1-0    **LMUX<1:0>:** Commons Select bits

| LMUX<1:0> | Multiplex      | Maximum Number of Pixels (PIC18F6X90) | Maximum Number of Pixels (PIC18F8X90) | Bias       |
|-----------|----------------|---------------------------------------|---------------------------------------|------------|
| 00        | Static (COM0)  | 33                                    | 48                                    | Static     |
| 01        | 1/2 (COM<1:0>) | 66                                    | 96                                    | 1/2 or 1/3 |
| 10        | 1/3 (COM<2:0>) | 99                                    | 144                                   | 1/2 or 1/3 |
| 11        | 1/4 (COM<3:0>) | 132                                   | 192                                   | 1/3        |

# PIC18F87K90 FAMILY

## REGISTER 20-2: LCDPS: LCD PHASE REGISTER

|       |        |      |     |       |       |       |       |
|-------|--------|------|-----|-------|-------|-------|-------|
| R/W-0 | R/W-0  | R-0  | R-0 | R/W-0 | R/W-0 | R/W-0 | R/W-0 |
| WFT   | BIASMD | LCDA | WA  | LP3   | LP2   | LP1   | LP0   |
| bit 7 |        |      |     |       |       |       | bit 0 |

### Legend:

|                   |                  |                                    |
|-------------------|------------------|------------------------------------|
| R = Readable bit  | W = Writable bit | U = Unimplemented bit, read as '0' |
| -n = Value at POR | '1' = Bit is set | '0' = Bit is cleared               |
|                   |                  | x = Bit is unknown                 |

- bit 7      **WFT:** Waveform Type Select bit  
           1 = Type-B waveform (phase changes on each frame boundary)  
           0 = Type-A waveform (phase changes within each common type)
- bit 6      **BIASMD:** Bias Mode Select bit  
           When LMUX<1:0> = 00:  
           0 = Static Bias mode (do not set this bit to '1')
- When LMUX<1:0> = 01:  
           1 = 1/2 Bias mode  
           0 = 1/3 Bias mode
- When LMUX<1:0> = 10:  
           1 = 1/2 Bias mode  
           0 = 1/3 Bias mode
- When LMUX<1:0> = 11:  
           0 = 1/3 Bias mode (do not set this bit to '1')
- bit 5      **LCDA:** LCD Active Status bit  
           1 = LCD driver module is active  
           0 = LCD driver module is inactive
- bit 4      **WA:** LCD Write Allow Status bit  
           1 = Write into the LCDDATAx registers is allowed  
           0 = Write into the LCDDATAx registers is not allowed
- bit 3-0    **LP<3:0>:** LCD Prescaler Select bits
- 1111 = 1:16  
           1110 = 1:15  
           1101 = 1:14  
           1100 = 1:13  
           1011 = 1:12  
           1010 = 1:11  
           1001 = 1:10  
           1000 = 1:9  
           0111 = 1:8  
           0110 = 1:7  
           0101 = 1:6  
           0100 = 1:5  
           0011 = 1:4  
           0010 = 1:3  
           0001 = 1:2  
           0000 = 1:1

# PIC18F87K90 FAMILY

## REGISTER 20-3: LCDREF: LCD REFERENCE VOLTAGE CONTROL REGISTER

| R/W-0  | R/W-0  | R/W-0   | R/W-0   | R/W-0   | R/W-0   | R/W-0   | R/W-0   |
|--------|--------|---------|---------|---------|---------|---------|---------|
| LCDIRE | LCDIRS | LCDCST2 | LCDCST1 | LCDCST0 | VLCD3PE | VLCD2PE | VLCD1PE |
| bit 7  |        |         |         |         |         |         | bit 0   |

### Legend:

|                   |                  |                                    |
|-------------------|------------------|------------------------------------|
| R = Readable bit  | W = Writable bit | U = Unimplemented bit, read as '0' |
| -n = Value at POR | '1' = Bit is set | '0' = Bit is cleared               |
|                   |                  | x = Bit is unknown                 |

- bit 7      **LCDIRE:** LCD Internal Reference Enable bit  
 1 = Internal LCD reference is enabled and connected to the internal contrast control circuit  
 0 = Internal LCD reference is disabled
- bit 6      **LCDIRS:** LCD Internal Reference Source bit  
If LCDIRE = 1:  
 1 = Internal LCD contrast control is powered by VDDCORE (3.3V) voltage  
 0 = Internal LCD contrast control is powered by VDD  
If LCDIRE = 0:  
 Internal LCD contrast control is unconnected. LCD band gap buffer is disabled.
- bit 5-3    **LCDCST<2:0>:** LCD Contrast Control bits  
Selects the Resistance of the LCD Contrast Control Resistor Ladder:  
 111 = Resistor ladder is at maximum resistance (minimum contrast)  
 110 = Resistor ladder is at 6/7th of maximum resistance  
 101 = Resistor ladder is at 5/7th of maximum resistance  
 100 = Resistor ladder is at 4/7th of maximum resistance  
 011 = Resistor ladder is at 3/7th of maximum resistance  
 010 = Resistor ladder is at 2/7th of maximum resistance  
 001 = Resistor ladder is at 1/7th of maximum resistance  
 000 = Minimum resistance (maximum contrast); resistor ladder is shorted
- bit 2      **VLCD3PE:** Bias 3 Pin Enable bit  
 1 = Bias 3 level is connected to the external pin, LCDBIAS3  
 0 = Bias 3 level is internal (internal resistor ladder)
- bit 1      **VLCD2PE:** Bias 2 Pin Enable bit  
 1 = Bias 2 level is connected to the external pin, LCDBIAS2  
 0 = Bias 2 level is internal (internal resistor ladder)
- bit 0      **VLCD1PE:** Bias 1 Pin Enable bit  
 1 = Bias 1 level is connected to the external pin, LCDBIAS1  
 0 = Bias 1 level is internal (internal resistor ladder)

# PIC18F87K90 FAMILY

## REGISTER 20-4: LCDRL: LCD REFERENCE LADDER CONTROL REGISTER

|        |        |        |        |                  |        |        |        |
|--------|--------|--------|--------|------------------|--------|--------|--------|
| R/W-0  | R/W-0  | R/W-0  | R/W-0  | U-0              | R/W-0  | R/W-0  | R/W-0  |
| LRLAP1 | LRLAP0 | LRLBP1 | LRLBP0 | — <sup>(1)</sup> | LRLAT2 | LRLAT1 | LRLAT0 |
| bit 7  |        |        |        |                  |        |        | bit 0  |

### Legend:

|                   |                  |                                    |
|-------------------|------------------|------------------------------------|
| R = Readable bit  | W = Writable bit | U = Unimplemented bit, read as '0' |
| -n = Value at POR | '1' = Bit is set | '0' = Bit is cleared               |
|                   |                  | x = Bit is unknown                 |

bit 7-6 **LRLAP<1:0>**: LCD Reference Ladder A Time Power Control bits

#### During Time Interval A:

- 11 = Internal LCD reference ladder is powered in High-Power mode
- 10 = Internal LCD reference ladder is powered in Medium Power mode
- 01 = Internal LCD reference ladder is powered in Low-Power mode
- 00 = Internal LCD reference ladder is powered down and unconnected

bit 5-4 **LRLBP<1:0>**: LCD Reference Ladder B Time Power Control bits

#### During Time Interval B:

- 11 = Internal LCD reference ladder is powered in High-Power mode
- 10 = Internal LCD reference ladder is powered in Medium Power mode
- 01 = Internal LCD reference ladder is powered in Low-Power mode
- 00 = Internal LCD reference ladder is powered down and unconnected

bit 3 **Unimplemented:** Read as '0'<sup>(1)</sup>

bit 2-0 **LRLAT<2:0>**: LCD Reference Ladder A Time Interval Control bits

Sets the number of 32 clock counts when the A Time Interval Power mode is active.

#### For Type-A Waveforms (WFT = 0):

- 000 = Internal LCD reference ladder is always in B Power mode
- 001 = Internal LCD reference ladder is in A Power mode for 1 clock and B Power mode for 15 clocks
- 010 = Internal LCD reference ladder is in A Power mode for 2 clocks and B Power mode for 14 clocks
- 011 = Internal LCD reference ladder is in A Power mode for 3 clocks and B Power mode for 13 clocks
- 100 = Internal LCD reference ladder is in A Power mode for 4 clocks and B Power mode for 12 clocks
- 101 = Internal LCD reference ladder is in A Power mode for 5 clocks and B Power mode for 11 clocks
- 110 = Internal LCD reference ladder is in A Power mode for 6 clocks and B Power mode for 10 clocks
- 111 = Internal LCD reference ladder is in A Power mode for 7 clocks and B Power mode for 9 clocks

#### For Type-B Waveforms (WFT = 1):

- 000 = Internal LCD reference ladder is always in B Power mode
- 001 = Internal LCD reference ladder is in A Power mode for 1 clock and B Power mode for 31 clocks
- 010 = Internal LCD reference ladder is in A Power mode for 2 clocks and B Power mode for 30 clocks
- 011 = Internal LCD reference ladder is in A Power mode for 3 clocks and B Power mode for 29 clocks
- 100 = Internal LCD reference ladder is in A Power mode for 4 clocks and B Power mode for 28 clocks
- 101 = Internal LCD reference ladder is in A Power mode for 5 clocks and B Power mode for 27 clocks
- 110 = Internal LCD reference ladder is in A Power mode for 6 clocks and B Power mode for 26 clocks
- 111 = Internal LCD reference ladder is in A Power mode for 7 clocks and B Power mode for 25 clocks

**Note 1:** LCDRL<3> should be maintained as '0'.

# PIC18F87K90 FAMILY

The LCDSE5:LCDSE0 registers configure the functions of the port pins. Setting the segment enable bit for a particular segment configures that pin as an LCD driver. There are six LCD Segment Enable registers, as shown in [Table 20-1](#). The prototype LCDSE<sub>x</sub> register is shown in [Register 20-5](#).

**TABLE 20-1: LCDSE REGISTERS AND ASSOCIATED SEGMENTS**

| Register | Segments                                     |
|----------|--|
| LCDSE0   | 7:0 (RD<7:0>)                                |
| LCDSE1   | 15:8 (RA<5:4>, RC2, RC5, RB<4:1>)            |
| LCDSE2   | 23:16 (RF<5:1>, RA1, RC<4:3>)                |
| LCDSE3   | 31:24 (RE7, RB0, RB5, RC<7:6>, RG4, RF<7:6>) |
| LCDSE4   | 39:32 (RJ<4:7>, RJ<3:1>, RC1)                |
| LCDSE5   | 47:40 (RH<0:3>, RH<7:4>)                     |

**Note:** The LCDSE5:LCDSE4 registers are not implemented in PIC18F6XK90 devices.

Once the module is initialized for the LCD panel, the individual bits of the LCDDATA23:LCDDATA0 registers are cleared or set to represent a clear or dark pixel, respectively.

Specific sets of LCDDATA registers are used with specific segments and common signals. Each bit represents a unique combination of a specific segment connected to a specific common.

Individual LCDDATA bits are named by the convention, “SxxCy”, with “xx” as the segment number and “y” as the common number. The relationship is summarized in [Table 20-2](#). The prototype LCDDATA<sub>x</sub> register is shown in [Register 20-6](#).

**Note:** In PIC18F6XK90 devices, writing into the registers, LCDDATA4, LCDDATA5, LCDDATA10, LCDDATA11, LCDDATA16, LCDDATA17, LCDDATA22 and LCDDATA23, will not affect the status of any pixel. These registers can be used as general purpose registers.

**REGISTER 20-5: LCDSE<sub>x</sub>: LCD SEGMENT<sub>x</sub> ENABLE REGISTER**

|           |           |           |           |           |           |           |       |
|-----------|-----------|-----------|-----------|-----------|-----------|-----------|-------|
| R/W-0     | R/W-0     | R/W-0     | R/W-0     | R/W-0     | R/W-0     | R/W-0     | R/W-0 |
| SE(n + 7) | SE(n + 6) | SE(n + 5) | SE(n + 4) | SE(n + 3) | SE(n + 2) | SE(n + 1) | SE(n) |
| bit 7     |           |           |           |           |           |           | bit 0 |

**Legend:**

R = Readable bit                      W = Writable bit                      U = Unimplemented bit, read as ‘0’  
 -n = Value at POR                      ‘1’ = Bit is set                      ‘0’ = Bit is cleared                      x = Bit is unknown

bit 7-0                      **SE(n + 7):SE(n):** Segment Enable bits

For LCDSE0: n = 0

For LCDSE1: n = 8

For LCDSE2: n = 16

For LCDSE3: n = 24

For LCDSE4: n = 32

For LCDSE5: n = 40

1 = Segment function of the pin is enabled, digital I/O is disabled

0 = I/O function of the pin is enabled

# PIC18F87K90 FAMILY

**TABLE 20-2: LCDDATA REGISTERS AND BITS FOR SEGMENT AND COM COMBINATIONS**

| Segments      | COM Lines               |                          |                          |                          |
|---------------|-------------------------|--------------------------|--------------------------|--------------------------|
|               | 0                       | 1                        | 2                        | 3                        |
| 0 through 7   | LCDDATA0                | LCDDATA6                 | LCDDATA12                | LCDDATA18                |
|               | S00C0:S07C0             | S00C1:S07C1              | S00C2:S07C2              | S00C3:S07C3              |
| 8 through 15  | LCDDATA1                | LCDDATA7                 | LCDDATA13                | LCDDATA19                |
|               | S08C0:S15C0             | S08C1:S15C1              | S08C2:S15C2              | S08C3:S15C3              |
| 16 through 23 | LCDDATA2                | LCDDATA8                 | LCDDATA14                | LCDDATA20                |
|               | S16C0:S23C0             | S16C1:S23C1              | S16C2:S23C2              | S16C3:S23C3              |
| 24 through 31 | LCDDATA3                | LCDDATA9                 | LCDDATA15                | LCDDATA21                |
|               | S24C0:S31C0             | S24C1:S31C1              | S24C2:S31C2              | S24C3:S31C3              |
| 32 through 39 | LCDDATA4 <sup>(1)</sup> | LCDDATA10 <sup>(1)</sup> | LCDDATA16 <sup>(1)</sup> | LCDDATA22 <sup>(1)</sup> |
|               | S32C0:S39C0             | S32C1:S39C1              | S32C2:S39C2              | S32C3:S39C3              |
| 40 through 47 | LCDDATA5 <sup>(2)</sup> | LCDDATA11 <sup>(2)</sup> | LCDDATA17 <sup>(2)</sup> | LCDDATA23 <sup>(2)</sup> |
|               | S40C0:S47C0             | S40C1:S47C1              | S40C2:S47C2              | S40C3:S47C3              |

**Note 1:** Bits<7:1> of these registers are not implemented in PIC18F6XK90 devices. Bit 0 of these registers (SEG32Cy) is always implemented.

**2:** These registers are not implemented in PIC18F6XK90 devices.

## REGISTER 20-6: LCDDATAx: LCD DATAx REGISTER

|            |            |            |            |            |            |            |        |
|------------|------------|------------|------------|------------|------------|------------|--------|
| R/W-0      | R/W-0      | R/W-0      | R/W-0      | R/W-0      | R/W-0      | R/W-0      | R/W-0  |
| S(n + 7)Cy | S(n + 6)Cy | S(n + 5)Cy | S(n + 4)Cy | S(n + 3)Cy | S(n + 2)Cy | S(n + 1)Cy | S(n)Cy |
| bit 7      |            |            |            |            |            |            | bit 0  |

### Legend:

R = Readable bit                      W = Writable bit                      U = Unimplemented bit, read as '0'  
 -n = Value at POR                      '1' = Bit is set                      '0' = Bit is cleared                      x = Bit is unknown

bit 7-0

**S(n + 7)Cy:S(n)Cy:** Pixel On bits

For registers, LCDDATA0 through LCDDATA5: n = (8x), y = 0

For registers, LCDDATA6 through LCDDATA11: n = (8(x - 6)), y = 1

For registers, LCDDATA12 through LCDDATA17: n = (8(x - 12)), y = 2

For registers, LCDDATA18 through LCDDATA23: n = (8(x - 18)), y = 3

1 = Pixel on (dark)

0 = Pixel off (clear)

# PIC18F87K90 FAMILY

## 20.2 LCD Clock Source Selection

The LCD driver module has three possible clock sources:

- $(F_{osc}/4)/8192$
- SOSC Clock/32
- INTRC/32

The first clock source is the system clock divided by 8,192 ( $(F_{osc}/4)/8192$ ). This divider ratio is chosen to provide about 1 kHz output when the system clock is 8 MHz. The divider is not programmable. Instead, the LCD prescaler bits, LCDPS<3:0>, are used to set the LCD frame clock rate.

The second clock source is the SOSC oscillator/32. This also outputs about 1 kHz when a 32.768 kHz crystal is used with the SOSC oscillator. To use the SOSC oscillator as a clock source, set the SOSSEN (T1CON<3>) bit.

The third clock source is a 31.25 kHz internal RC oscillator/32 that provides approximately 1 kHz output.

The second and third clock sources may be used to continue running the LCD while the processor is in Sleep.

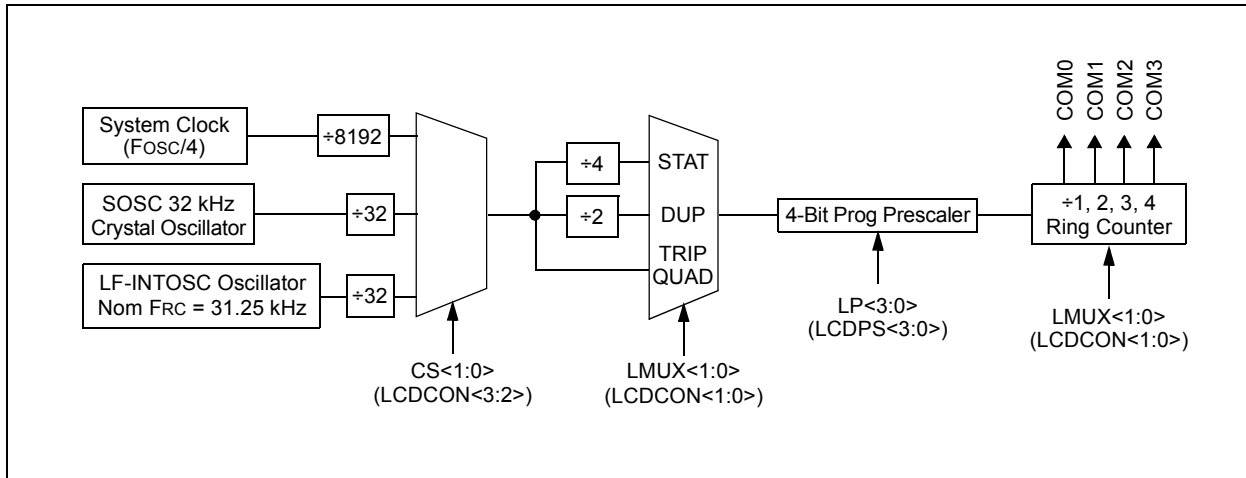
These clock sources are selected through the bits CS<1:0> (LCDCON<3:2>).

### 20.2.1 LCD PRESCALER

A 16-bit counter is available as a prescaler for the LCD clock. The prescaler is not directly readable or writable. Its value is set by the LP<3:0> bits (LCDPS<3:0>) that determines the prescaler assignment and prescale ratio.

Selectable prescale values are from 1:1 through 1:32,768, in power-of-2 increments.

FIGURE 20-2: LCD CLOCK GENERATION





# PIC18F87K90 FAMILY

## 20.3 LCD Bias Types

The LCD module can be configured in one of three bias types:

- Static bias (two voltage levels: VSS and VDD)
- 1/2 bias (three voltage levels: VSS, 1/2 VDD and VDD)
- 1/3 bias (four voltage levels: VSS, 1/3 VDD, 2/3 VDD and VDD)

LCD bias voltages can be generated with an internal or external resistor ladder. The internal resistor ladder eliminates the external solution's use of up to three pins.

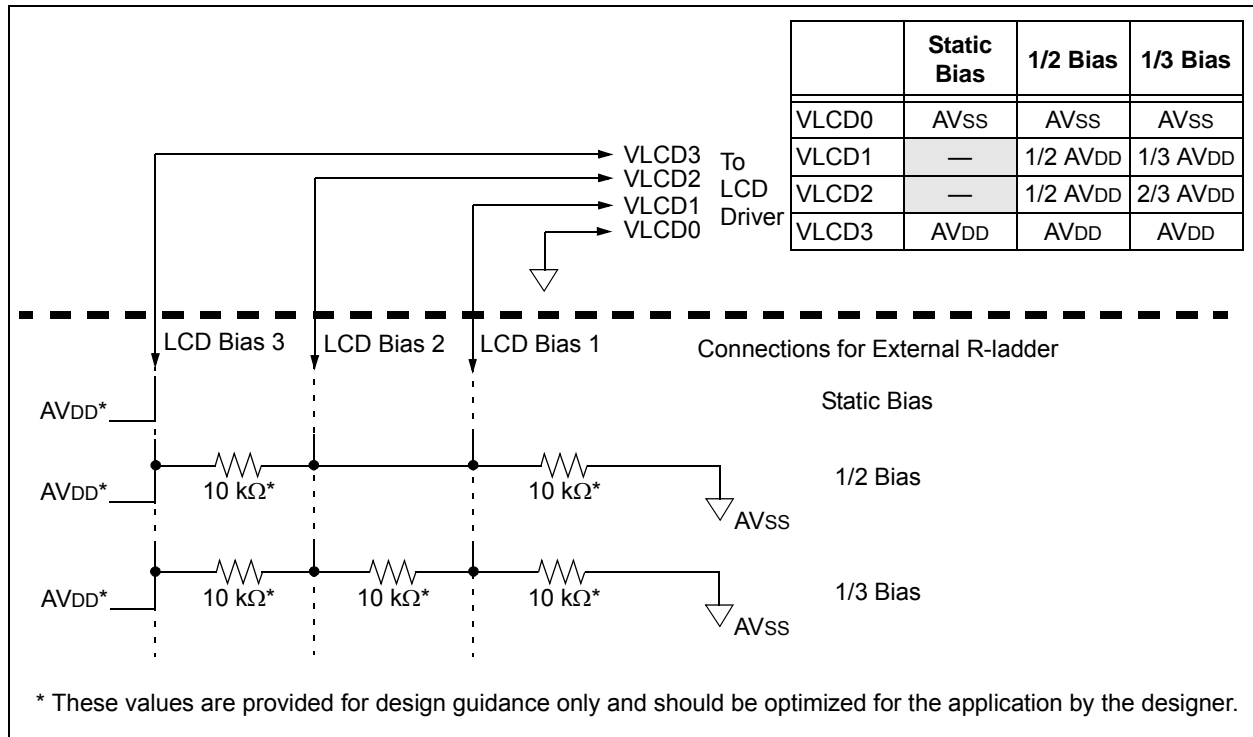
If the internal reference ladder is used to generate bias voltages, it also can provide software contrast control (using LCDCST<2:0>). An external resistor ladder can not do this.

### 20.3.1 EXTERNAL RESISTOR BIASING

The external resistor ladder should be connected to the VLCD1 pin (Bias 1), VLCD2 pin (Bias 2), VLCD3 pin (Bias 3) and VSS. The VLCD3 pin is used to set the highest voltage to the LCD glass and can be connected to VDD or a lower voltage.

Figure 20-3 shows the proper way to connect the resistor ladder to the Bias pins.

**FIGURE 20-3: LCD BIAS EXTERNAL RESISTOR LADDER CONNECTION DIAGRAM**



# PIC18F87K90 FAMILY

## 20.3.2 INTERNAL RESISTOR BIASING

This mode does not use external resistors, but rather internal resistor ladders that are configured to generate the bias voltage.

The internal reference ladder actually consists of three separate ladders. Disabling the internal reference ladder disconnects all of the ladders, allowing external voltages to be supplied.

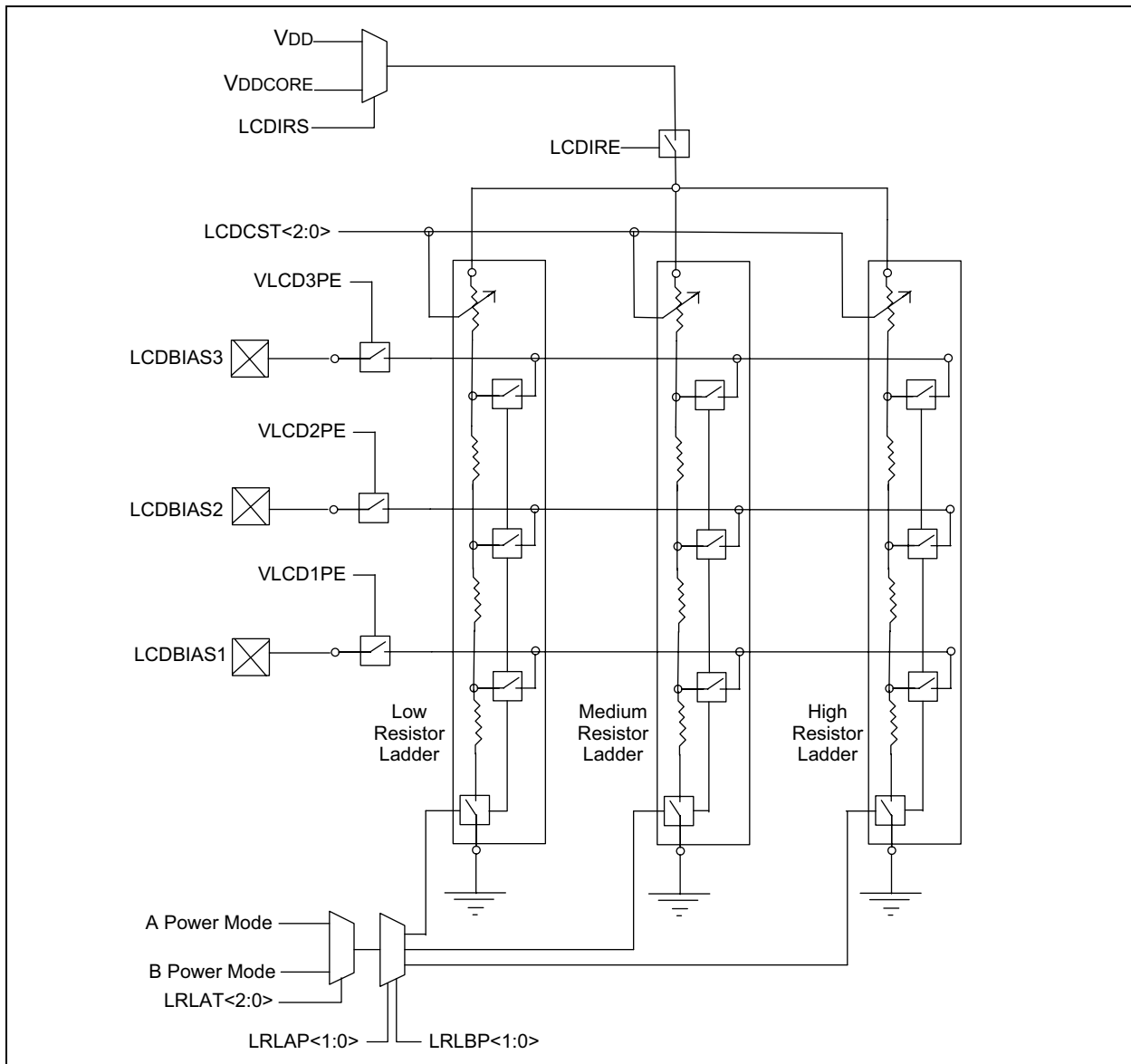
Depending on the total resistance of the resistor ladders, the biasing can be classified as low, medium or high power.

Table 20-3 shows the total resistance of each of the ladders. Figure 20-4 shows the internal resistor ladder connections. When the internal resistor ladder is selected, the bias voltage can either be from VDD or from VDDCORE, depending on the LCDIRS setting.

**TABLE 20-3: INTERNAL RESISTANCE LADDER POWER MODES**

| Power Mode | Nominal Resistance of Entire Ladder | I <sub>DD</sub> |
|------------|-------------------------------------|-----------------|
| Low        | 3 MΩ                                | 1 μA            |
| Medium     | 300 kΩ                              | 10 μA           |
| High       | 30 kΩ                               | 100 μA          |

**FIGURE 20-4: LCD BIAS INTERNAL RESISTOR LADDER CONNECTION DIAGRAM**



There are two power modes designated as “Mode A” and “Mode B”. Mode A is set by the bits, LRLAP<1:0> and Mode B by LRLB<1:0>. The resistor ladder to use for Modes A and B are selected by the bits, LRLAP<1:0> and LRLBP<1:0>, respectively

Each ladder has a matching contrast control ladder, tuned to the nominal resistance of the reference ladder. This contrast control resistor can be controlled by LCDREF<5:3> (LCDCST<2:0>). Disabling the internal reference ladder results in all of the ladders being disconnected, allowing external voltages to be supplied.

To get additional current in High-Power mode, when LCDRL<7:6> (LRLAP<1:0>) = 11, both the medium and high-power resistor ladders are activated.

Whenever the LCD module is inactive (LCDA (LCDPS<5>) = 0), the reference ladder will be turned off.

## 20.3.2.1 Automatic Power Mode Switching

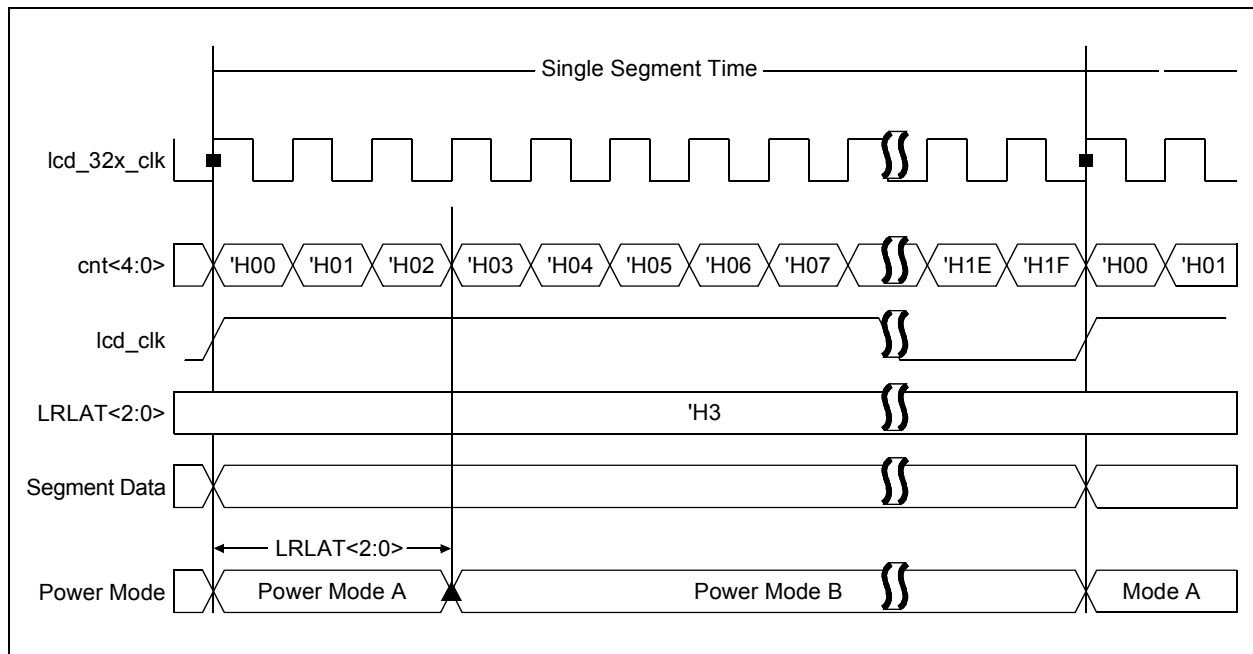
As an LCD segment is electrically only a capacitor, current is drawn only during the interval when the voltage is switching. To minimize total device current, the LCD reference ladder can be operated in a different power mode for the transition portion of the duration. This is controlled by the LCDRL register.

Mode A Power mode is active for a programmable time, beginning at the time when the LCD segment waveform is transitioning. The LCDRL<2:1> (LRLAT<2:0>) bits select how long, or if the Mode A is active. Mode B Power mode is active for the remaining time before the segments or commons change again.

As shown in Figure 20-5, there are 32 counts in a single segment time. Type-A can be chosen during the time when the wave form is in transition. Type-B can be used when the clock is stable or not in transition.

By using this feature of automatic power switching, using Type-A/Type-B, the power consumption can be optimized for a given contrast.

**FIGURE 20-5: LCD REFERENCE LADDER POWER MODE SWITCHING DIAGRAM**

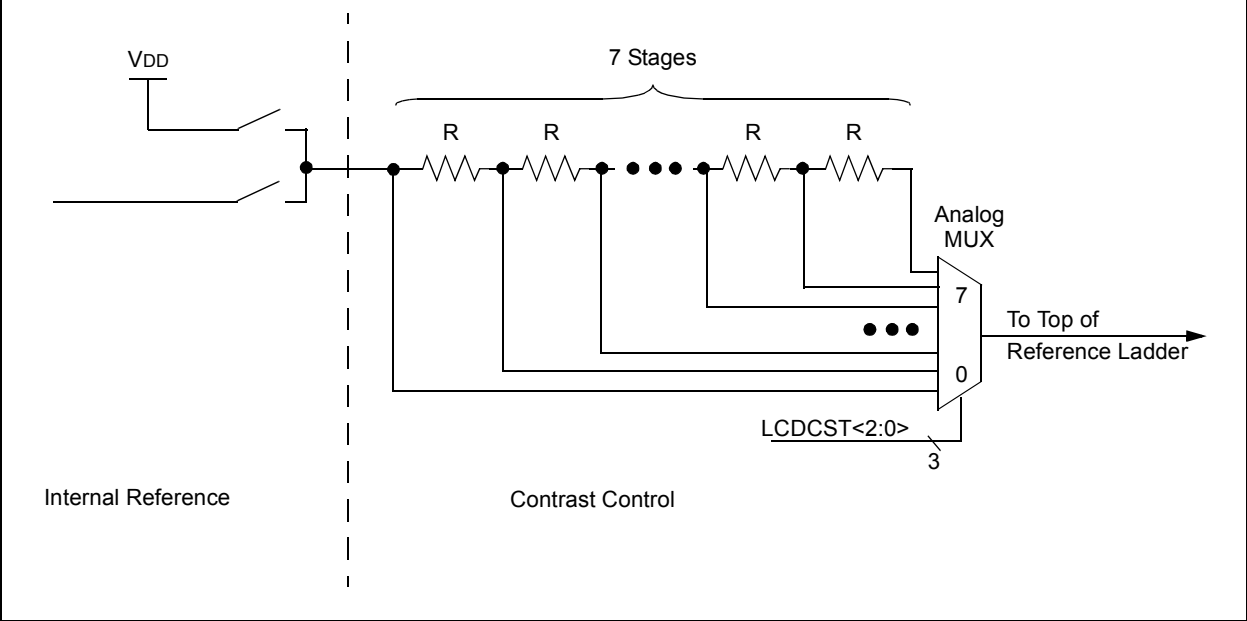


# PIC18F87K90 FAMILY

## 20.3.2.2 Contrast Control

The LCD contrast control circuit consists of a 7-tap resistor ladder, controlled by the LCDCST bits (see Figure 20-6.).

**FIGURE 20-6: INTERNAL REFERENCE AND CONTRAST CONTROL BLOCK DIAGRAM**



## 20.3.2.3 Internal Reference

Under firmware control, an internal reference for the LCD bias voltages can be enabled. When enabled, the source of this voltage can be VDD.

When no internal reference is selected, the LCD contrast control circuit is disabled and LCD bias must be provided externally. Whenever the LCD module is inactive (LCDA = 0), the internal reference will be turned off.

## 20.3.2.4 VLCDx Pins

The VLCD3, VLCD2 and VLCD1 pins provide the ability for an external LCD bias network to be used instead of the internal ladder. Use of the VLCDx pins does not prevent use of the internal ladder.

Each VLCD pin has an independent control in the LCDREF register, allowing access to any or all of the LCD bias signals.

This architecture allows for maximum flexibility in different applications. The VLCDx pins could be used to add capacitors to the internal reference ladder for increasing the drive capacity. For applications where the internal contrast control is insufficient, the firmware can choose to enable only the VLCD3 pin, allowing an external contrast control circuit to use the internal reference divider.

## 20.4 LCD Multiplex Types

The LCD driver module can be configured into four multiplex types:

- Static (only COM0 used)
- 1/2 multiplex (COM0 and COM1 are used)
- 1/3 multiplex (COM0, COM1 and COM2 are used)
- 1/4 multiplex (COM0, COM1, COM2 and COM3 are used)

The LMUX<1:0> setting (LCDCON<1:0>) decides the function of the PORTE<6:4> bits. (For details, see [Table 20-4](#).)

If the pin is a digital I/O, the corresponding TRIS bit controls the data direction. If the pin is a COM drive, the TRIS setting of that pin is overridden.

**Note:** On a Power-on Reset, the LMUX<1:0> bits are '00'.

**TABLE 20-4: PORTE<6:4> FUNCTION**

| LMUX<1:0> | PORTE<6>    | PORTE<5>    | PORTE<4>    |
|-----------|-------------|-------------|-------------|
| 00        | Digital I/O | Digital I/O | Digital I/O |
| 01        | Digital I/O | Digital I/O | COM1 Driver |
| 10        | Digital I/O | COM2 Driver | COM1 Driver |
| 11        | COM3 Driver | COM2 Driver | COM1 Driver |

## 20.5 Segment Enables

The LCDSEx registers are used to select the pin function for each segment pin. The selection allows each pin to operate as either an LCD segment driver or a digital only pin. To configure the pin as a segment pin, the corresponding bits in the LCDSEx registers must be set to '1'.

If the pin is a digital I/O, the corresponding TRIS bit controls the data direction. Any bit set in the LCDSEx registers overrides any bit settings in the corresponding TRIS register.

**Note:** On a Power-on Reset, these pins are configured as digital I/O.

## 20.6 Pixel Control

The LCDDATAx registers contain bits that define the state of each pixel. Each bit defines one unique pixel.

[Table 20-2](#) shows the correlation of each bit in the LCDDATAx registers to the respective common and segment signals.

Any LCD pixel location not being used for display can be used as general purpose RAM.

# PIC18F87K90 FAMILY

## 20.7 LCD Frame Frequency

The rate at which the COM and SEG outputs change is called the LCD frame frequency.

**TABLE 20-5: FRAME FREQUENCY FORMULAS**

| Multiplex | Frame Frequency =  |
|-----------|--|
| Static    | $\text{Clock Source}/(4 \times 1 \times (\text{LP}<3:0> + 1))$ |
| 1/2       | $\text{Clock Source}/(2 \times 2 \times (\text{LP}<3:0> + 1))$ |
| 1/3       | $\text{Clock Source}/(1 \times 3 \times (\text{LP}<3:0> + 1))$ |
| 1/4       | $\text{Clock Source}/(1 \times 4 \times (\text{LP}<3:0> + 1))$ |

**Note:** Clock source is  $(F_{\text{osc}}/4)/8192$ ,  $\text{Timer1 Osc}/32$  or  $\text{INTRC}/32$ .

**TABLE 20-6: APPROXIMATE FRAME FREQUENCY (IN Hz) USING  $F_{\text{osc}}$  AT 32 MHz, TIMER1 AT 32.768 kHz OR INTRC OSC**

| LP<3:0> | Static | 1/2 | 1/3 | 1/4 |
|---------|--------|-----|-----|-----|
| 1       | 125    | 125 | 167 | 125 |
| 2       | 83     | 83  | 111 | 83  |
| 3       | 62     | 62  | 83  | 62  |
| 4       | 50     | 50  | 67  | 50  |
| 5       | 42     | 42  | 56  | 42  |
| 6       | 36     | 36  | 48  | 36  |
| 7       | 31     | 31  | 42  | 31  |

## 20.8 LCD Waveform Generation

LCD waveform generation is based on the philosophy that the net AC voltage across the dark pixel should be maximized and the net AC voltage across the clear pixel should be minimized. The net DC voltage across any pixel should be zero.

The COM signal represents the time slice for each common, while the SEG contains the pixel data.

The pixel signal (COM-SEG) will have no DC component and can take only one of the two rms values. The higher rms value will create a dark pixel and a lower rms value will create a clear pixel.

As the number of commons increases, the delta between the two rms values decreases. The delta represents the maximum contrast that the display can have.

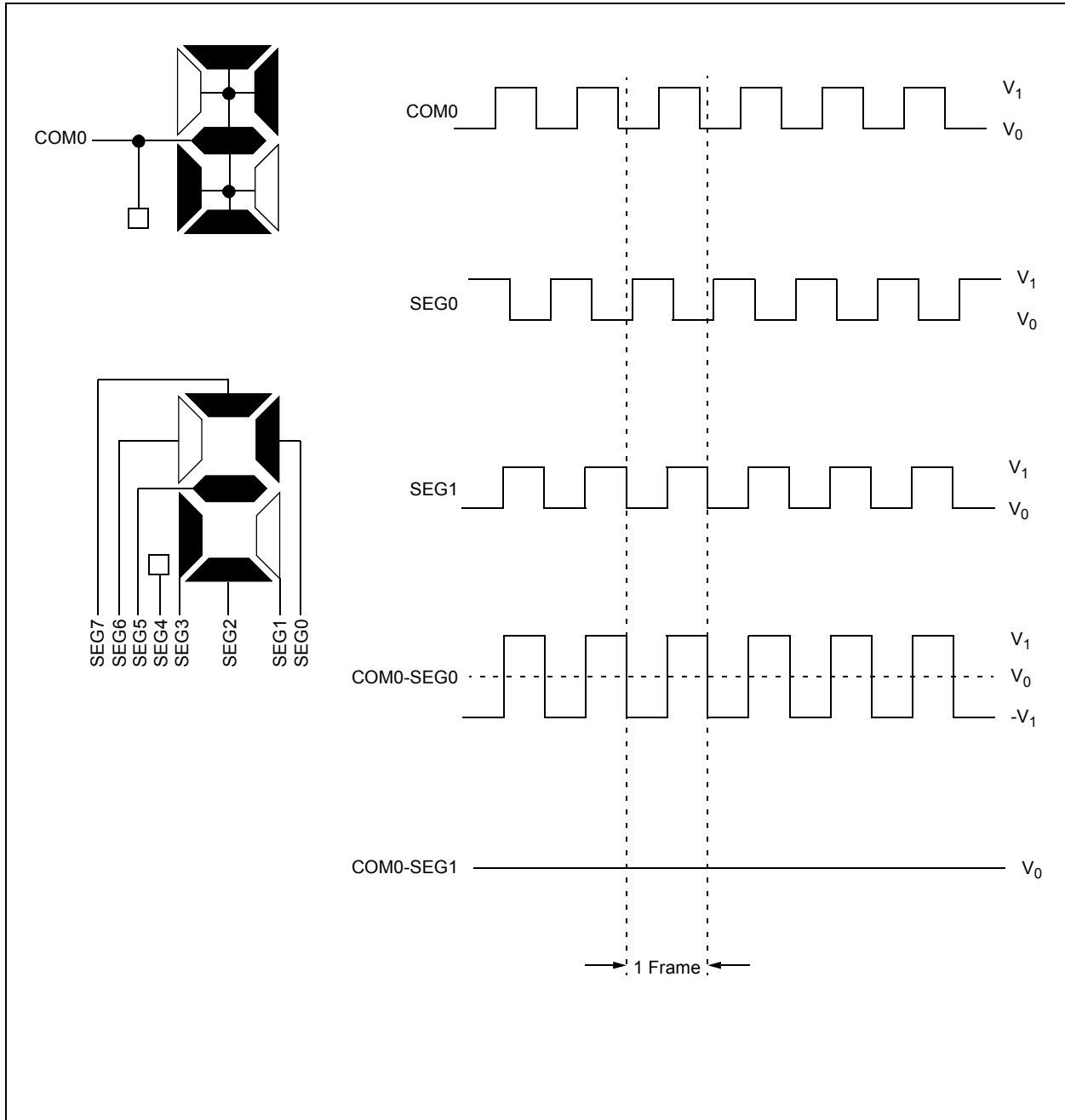
The LCDs can be driven by two types of waveforms: Type-A and Type-B. In a Type-A waveform, the phase changes within each common type, whereas a Type-B waveform's phase changes on each frame boundary. Thus, Type-A waveforms maintain 0 V<sub>DC</sub> over a single frame, whereas Type-B waveforms take two frames.

- Note 1:** If Sleep has to be executed with LCD Sleep enabled (SLPEN (LCDCON<6>) = 1), care must be taken to execute Sleep only when V<sub>DC</sub> on all the pixels is '0'.
- 2:** When the LCD clock source is  $(F_{\text{osc}}/4)/8192$ , if Sleep is executed irrespective of the LCDCON<SLPEN> setting, the LCD goes into Sleep. Thus, take care to see that V<sub>DC</sub> on all pixels is '0' when Sleep is executed.

Figure 20-7 through Figure 20-17 provide waveforms for static, half-multiplex, one-third multiplex and quarter multiplex drives for Type-A and Type-B waveforms.

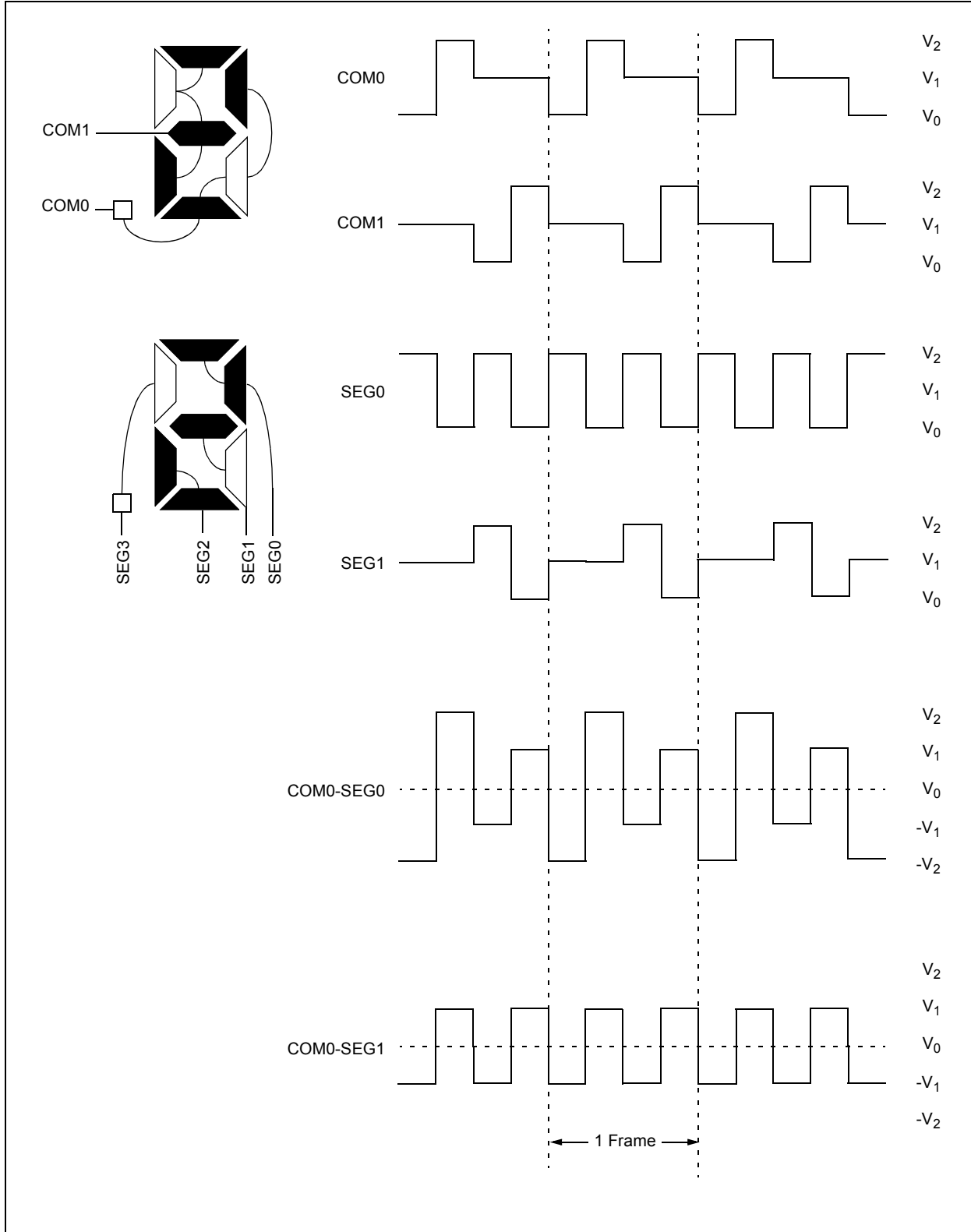
# PIC18F87K90 FAMILY

FIGURE 20-7: TYPE-A/TYPE-B WAVEFORMS IN STATIC DRIVE



# PIC18F87K90 FAMILY

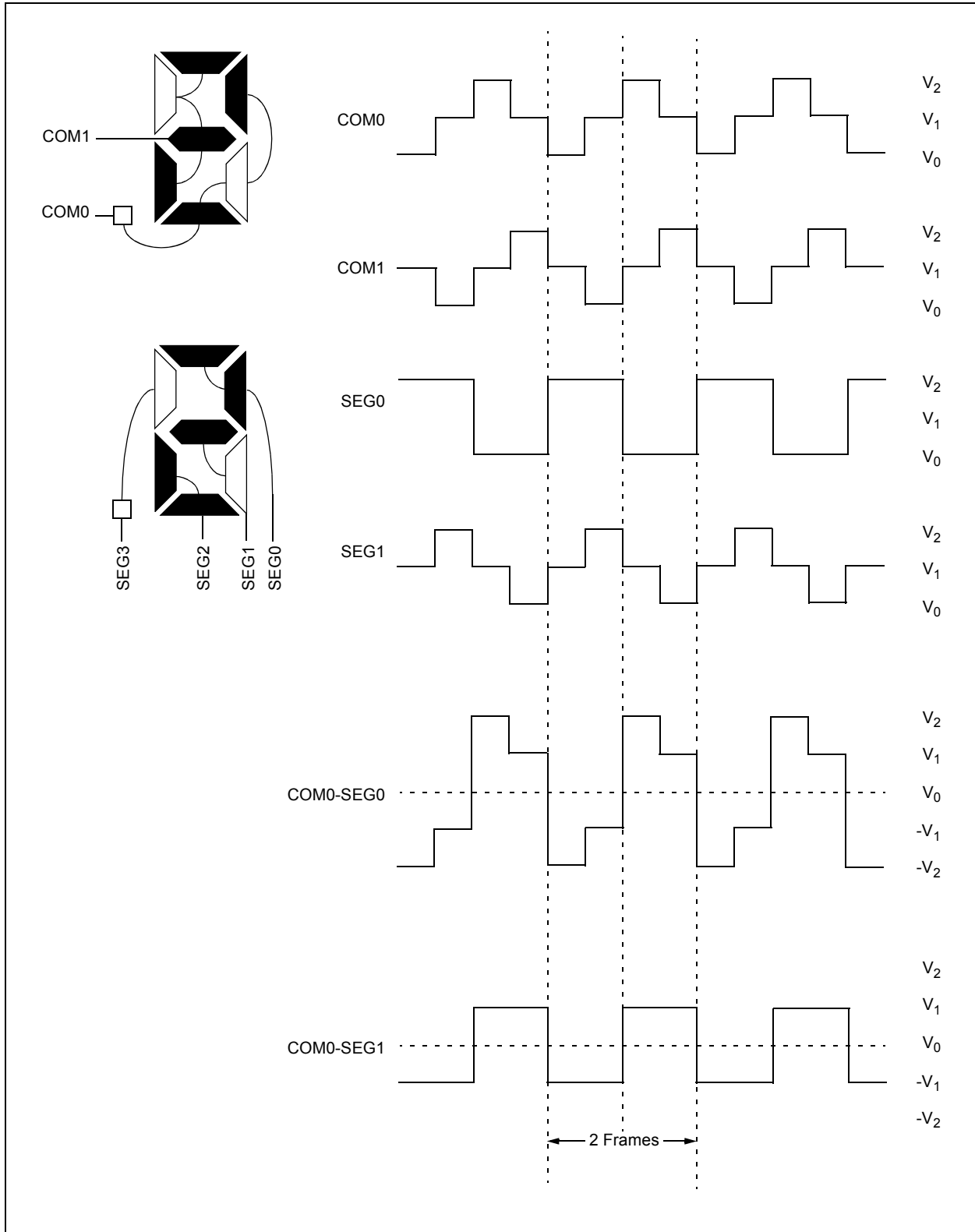
FIGURE 20-8: TYPE-A WAVEFORMS IN 1/2 MUX, 1/2 BIAS DRIVE





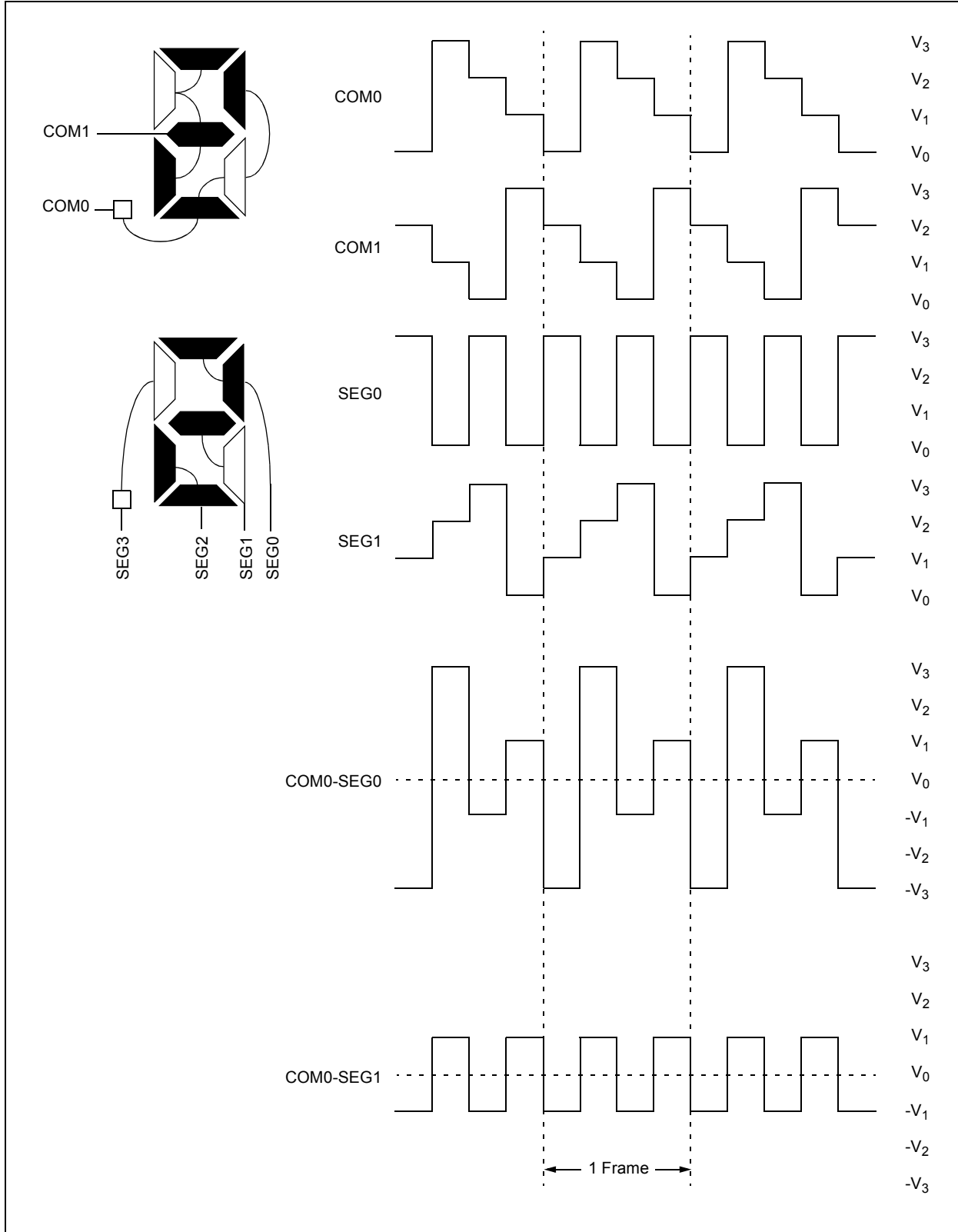
# PIC18F87K90 FAMILY

**FIGURE 20-9: TYPE-B WAVEFORMS IN 1/2 MUX, 1/2 BIAS DRIVE**

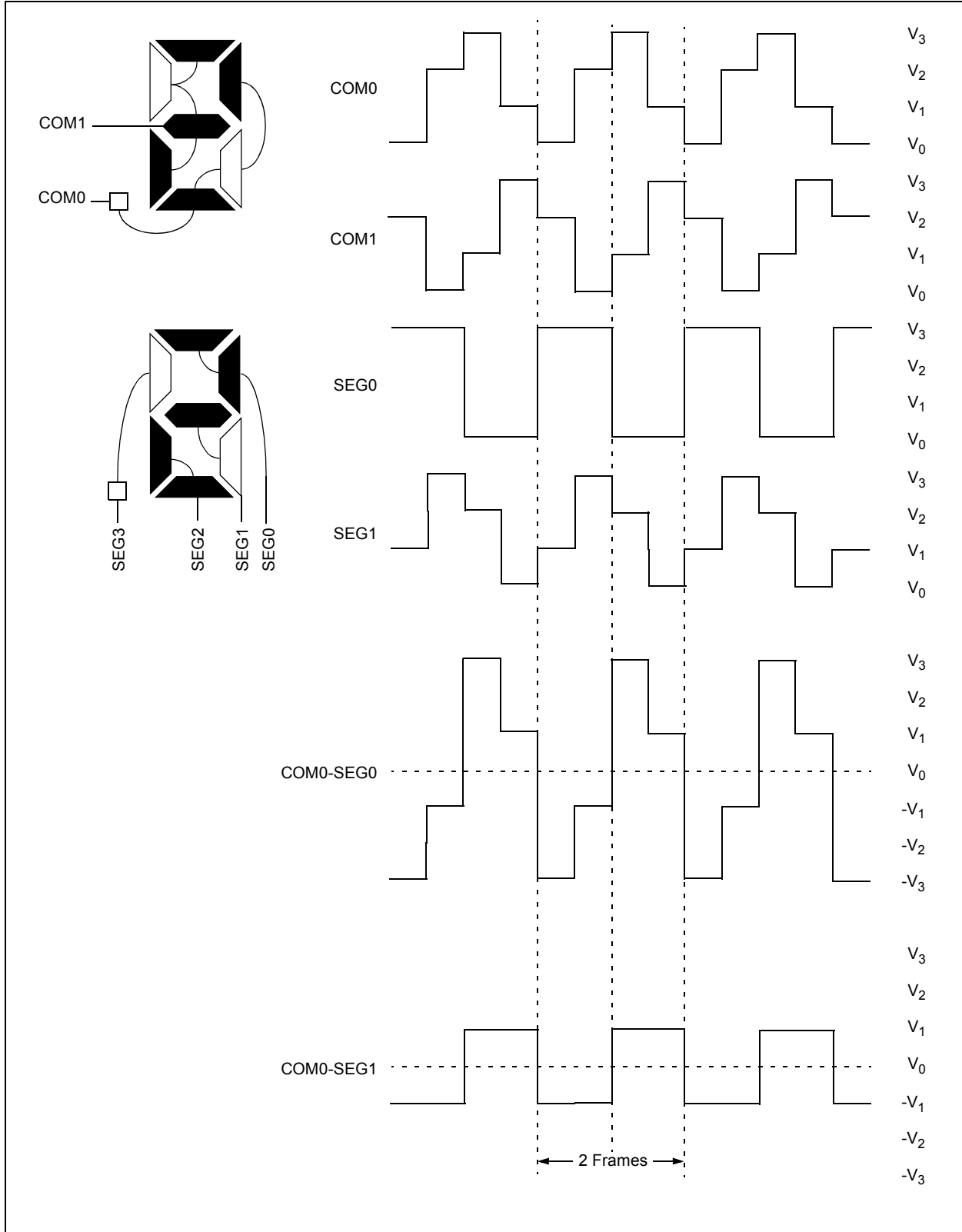


# PIC18F87K90 FAMILY

FIGURE 20-10: TYPE-A WAVEFORMS IN 1/2 MUX, 1/3 BIAS DRIVE

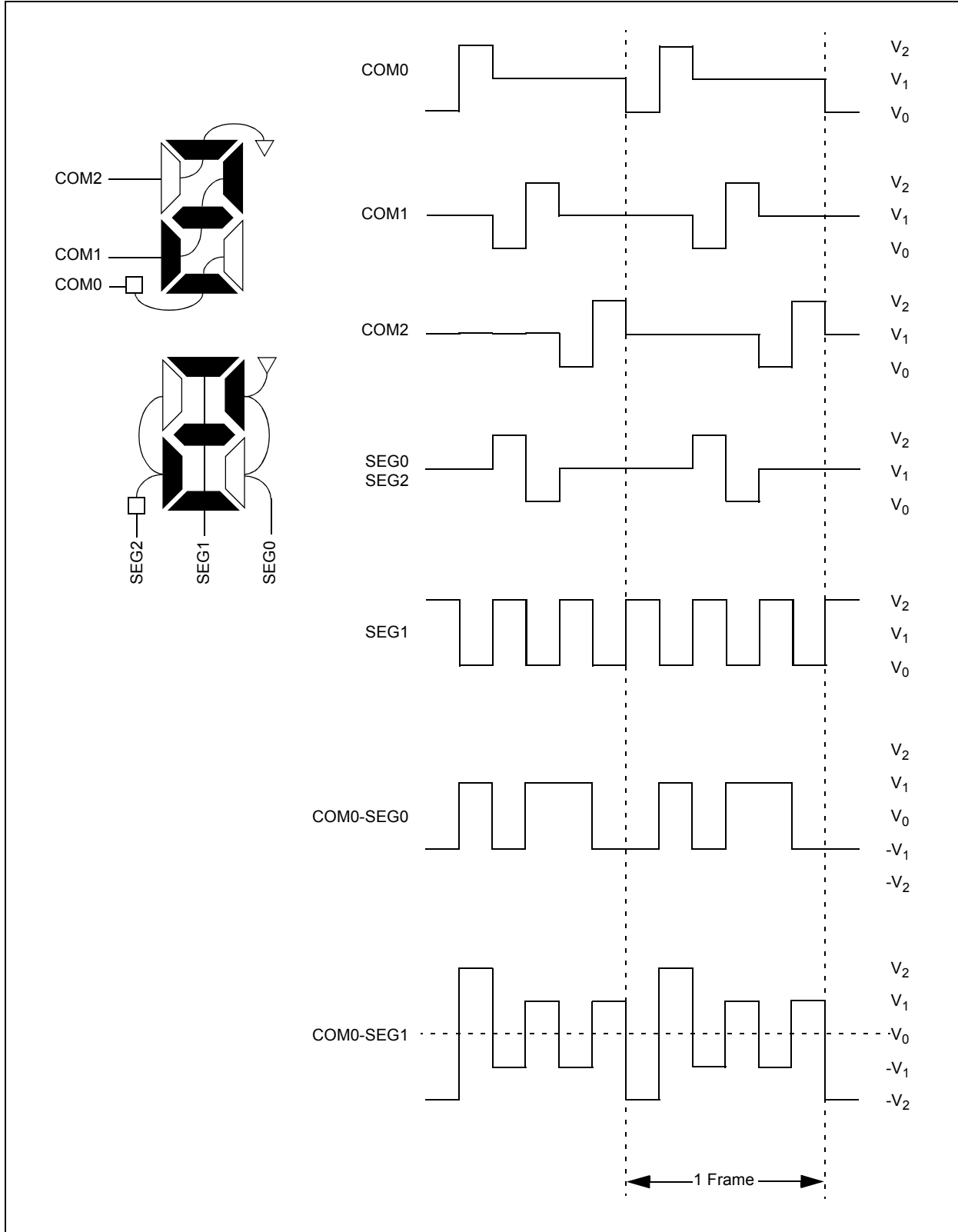


**FIGURE 20-11: TYPE-B WAVEFORMS IN 1/2 MUX, 1/3 BIAS DRIVE**



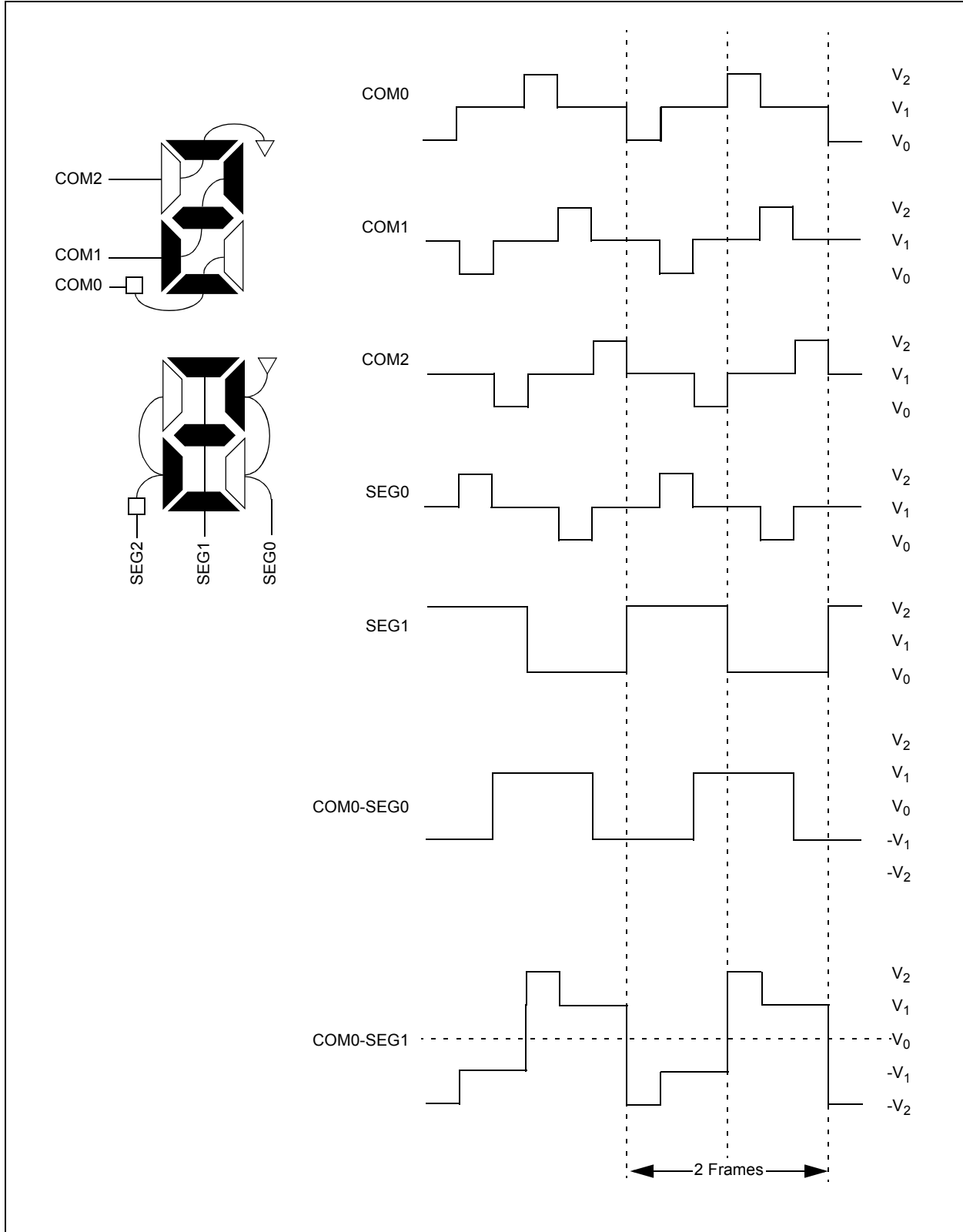
# PIC18F87K90 FAMILY

FIGURE 20-12: TYPE-A WAVEFORMS IN 1/3 MUX, 1/2 BIAS DRIVE



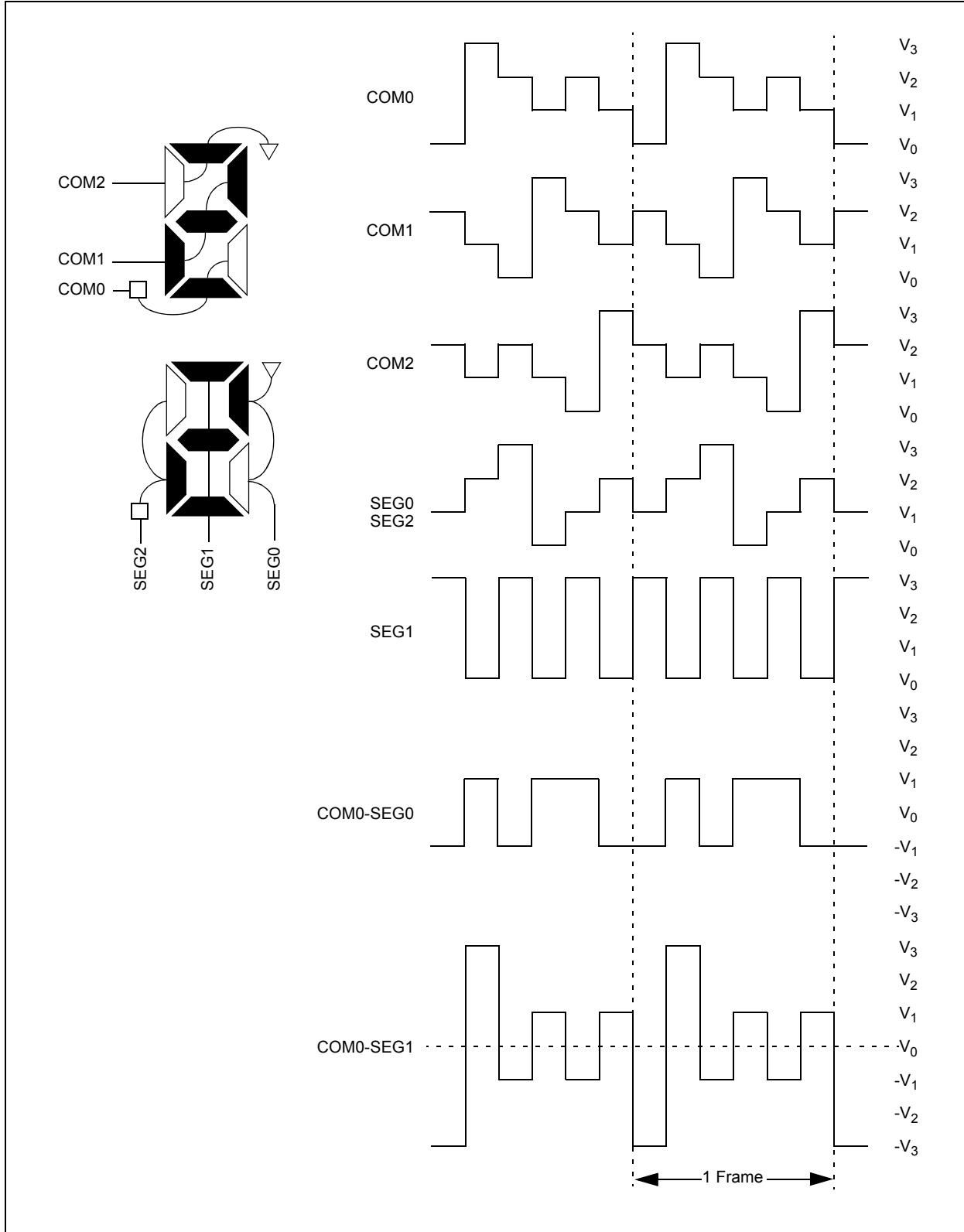
# PIC18F87K90 FAMILY

FIGURE 20-13: TYPE-B WAVEFORMS IN 1/3 MUX, 1/2 BIAS DRIVE



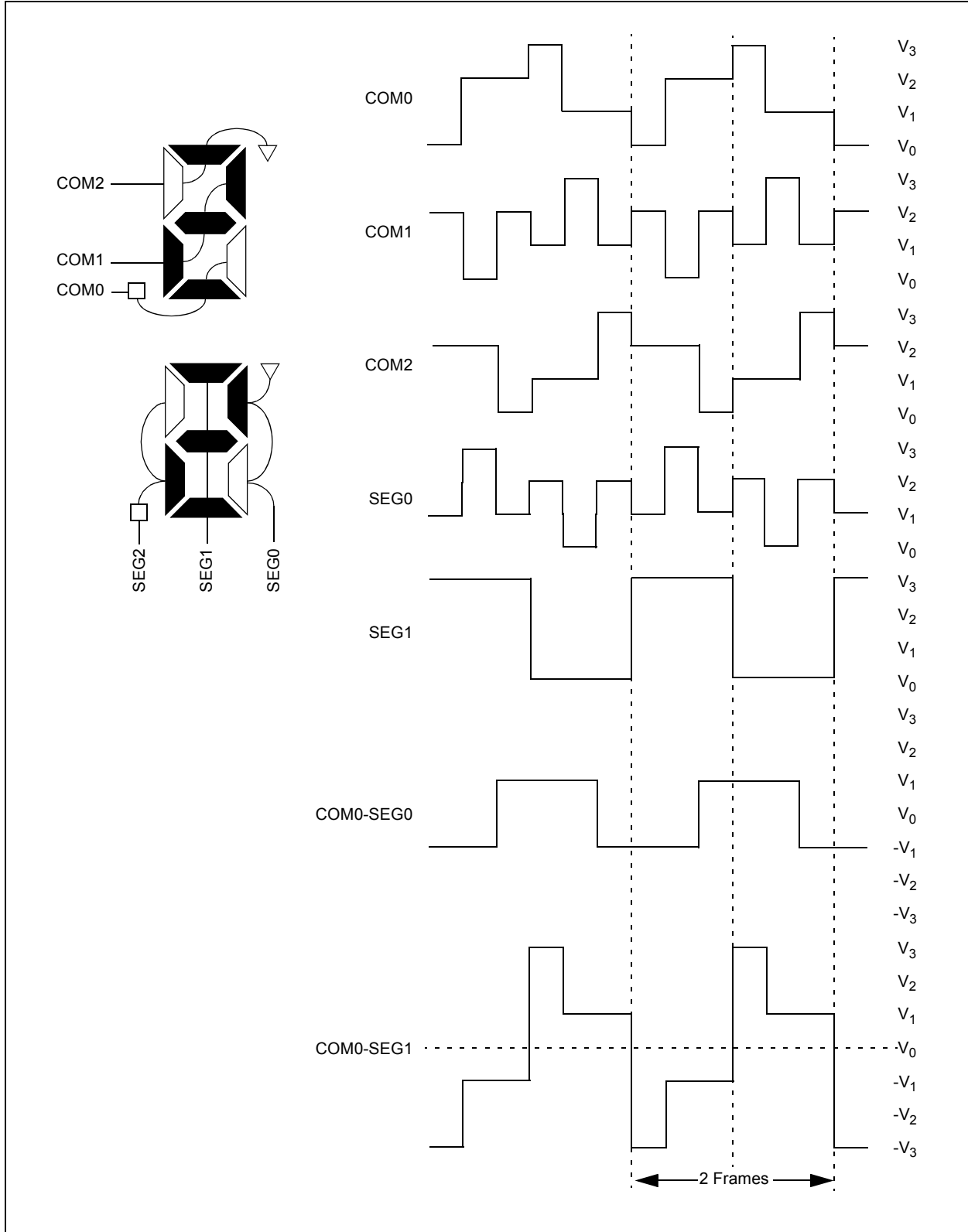
# PIC18F87K90 FAMILY

FIGURE 20-14: TYPE-A WAVEFORMS IN 1/3 MUX, 1/3 BIAS DRIVE



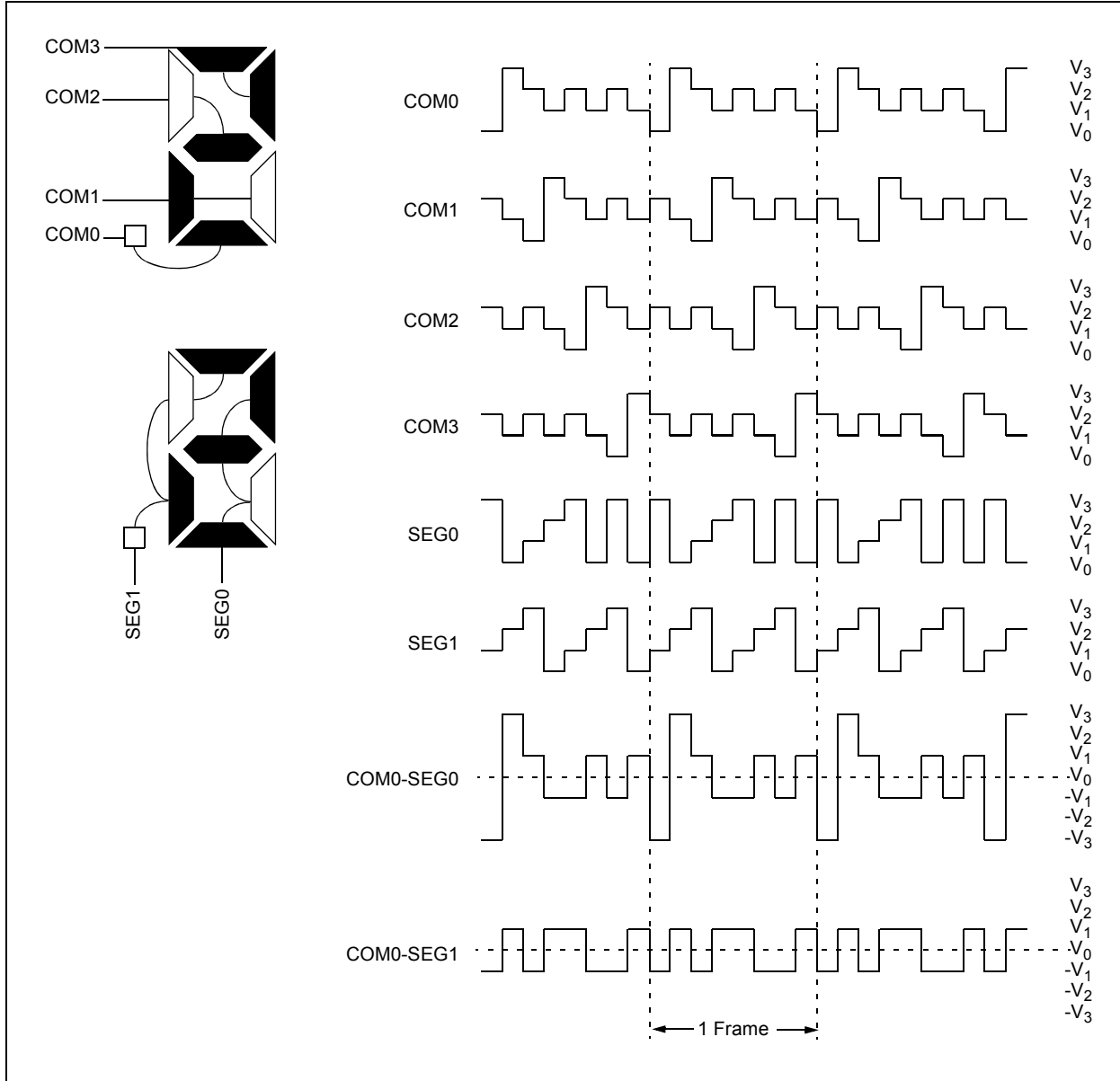
# PIC18F87K90 FAMILY

**FIGURE 20-15: TYPE-B WAVEFORMS IN 1/3 MUX, 1/3 BIAS DRIVE**



# PIC18F87K90 FAMILY

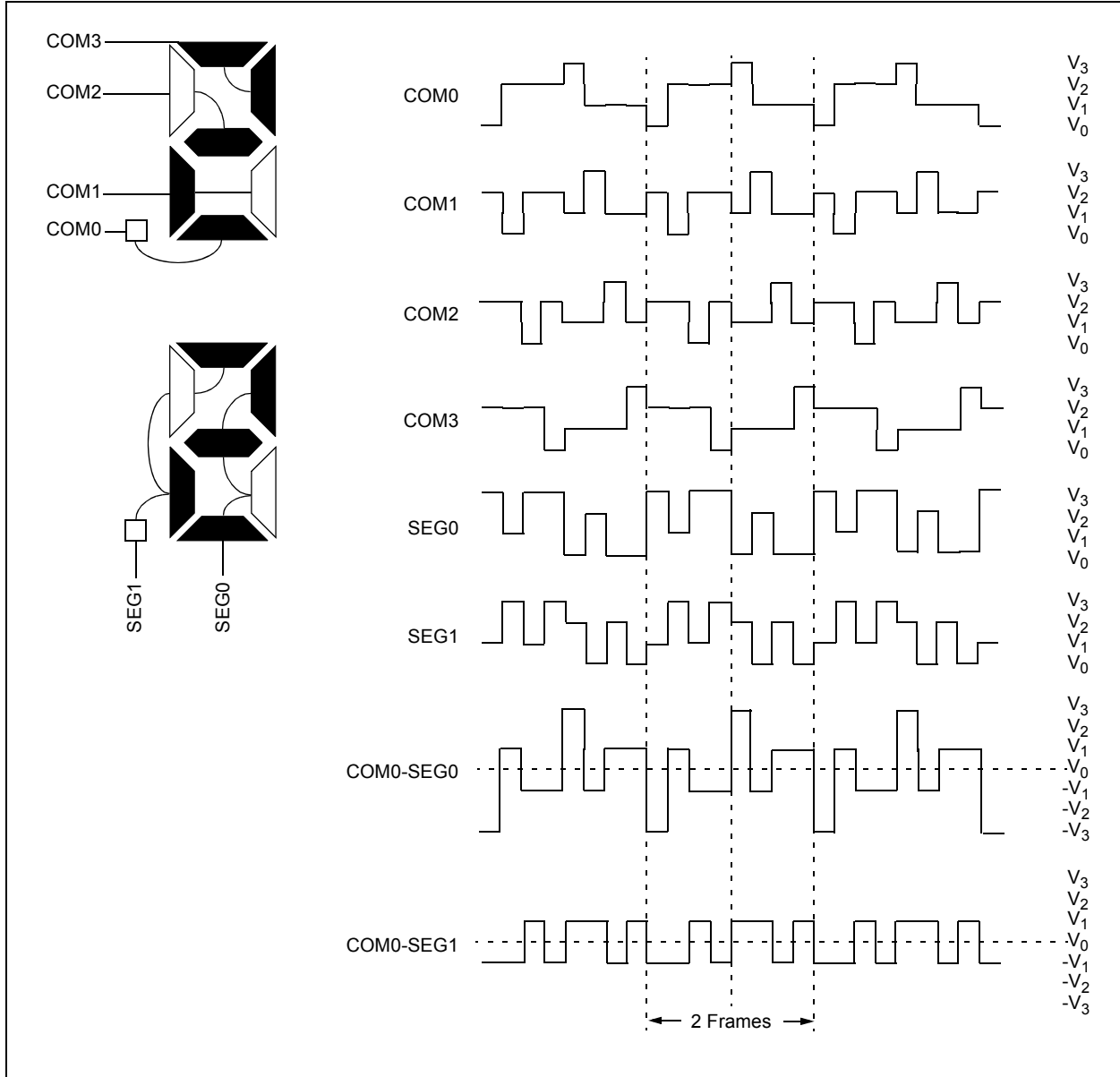
FIGURE 20-16: TYPE-A WAVEFORMS IN 1/4 MUX, 1/3 BIAS DRIVE





# PIC18F87K90 FAMILY

**FIGURE 20-17: TYPE-B WAVEFORMS IN 1/4 MUX, 1/3 BIAS DRIVE**



# PIC18F87K90 FAMILY

## 20.9 LCD Interrupts

The LCD timing generation provides an interrupt that defines the LCD frame timing. This interrupt can be used to coordinate the writing of the pixel data with the start of a new frame, which produces a visually crisp transition of the image.

This interrupt can also be used to synchronize external events to the LCD. For example, the interface to an external segment driver can be synchronized for segment data updates to the LCD frame.

A new frame is defined as beginning at the leading edge of the COM0 common signal. The interrupt will be set immediately after the LCD controller completes accessing all pixel data required for a frame. This will occur at a fixed interval before the frame boundary (TFINT), as shown in Figure 20-18.

The LCD controller will begin to access data for the next frame within the interval from the interrupt to when the controller begins accessing data after the interrupt (TFWR). New data must be written within TFWR, as this is when the LCD controller will begin to access the data for the next frame.

When the LCD driver is running with Type-B waveforms and the LMUX<1:0> bits are not equal to '00', there are some additional issues.

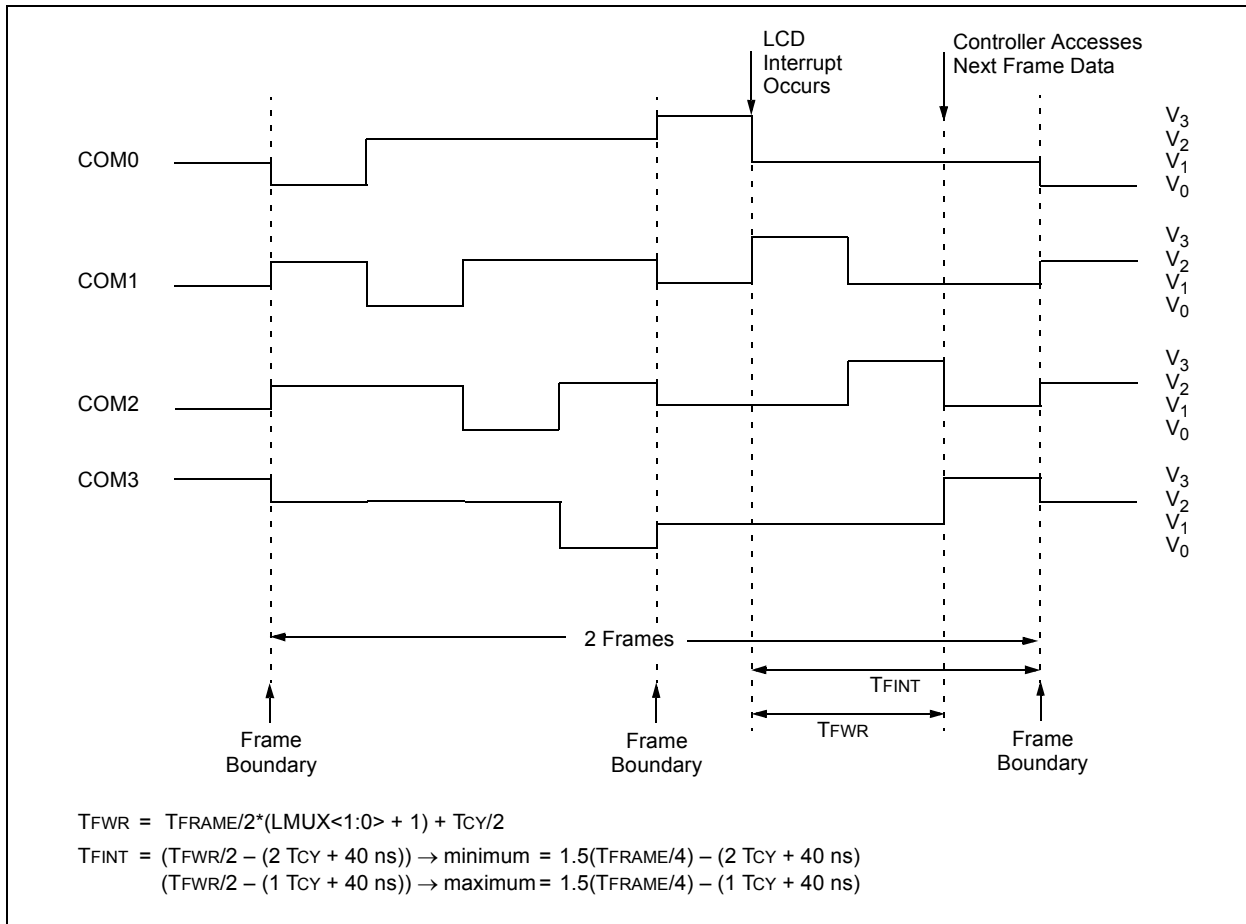
Since the DC voltage on the pixel takes two frames to maintain 0V, the pixel data must not change between subsequent frames. If the pixel data were allowed to change, the waveform for the odd frames would not necessarily be the complement of the waveform generated in the even frames and a DC component would be introduced into the panel.

Because of this, using Type-B waveforms requires synchronizing the LCD pixel updates to occur within a subframe after the frame interrupt.

To correctly sequence writing in Type-B, the interrupt only occurs on complete phase intervals. If the user attempts to write when the write is disabled, the WERR bit (LCDCON<5>) is set.

**Note:** The interrupt is not generated when the Type-A waveform is selected and when the Type-B with no multiplex (static) is selected.

**FIGURE 20-18: EXAMPLE WAVEFORMS AND INTERRUPT TIMING IN QUARTER DUTY CYCLE DRIVE**



## 20.10 Operation During Sleep

The LCD module can operate during Sleep. Setting the SLPEN bit (LCDCON<6>) allows the LCD module to go to Sleep. Clearing this bit allows the module to continue operating during Sleep.

If a SLEEP instruction is executed and SLPEN = 1, the LCD module will cease all functions and go into a very low-current consumption mode. The module will stop operation immediately and drive the minimum LCD voltage on both segment and common lines. Figure 20-19 shows this operation.

The LCD module current consumption will not decrease in this mode, but the overall consumption of the device will be lower due to shut down of the core and other peripheral functions.

To ensure that no DC component is introduced on the panel, the SLEEP instruction should be executed immediately after an LCD frame boundary. The LCD

interrupt can be used to determine the frame boundary. For the formulas to calculate the delay, see Section 20.9 “LCD Interrupts”.

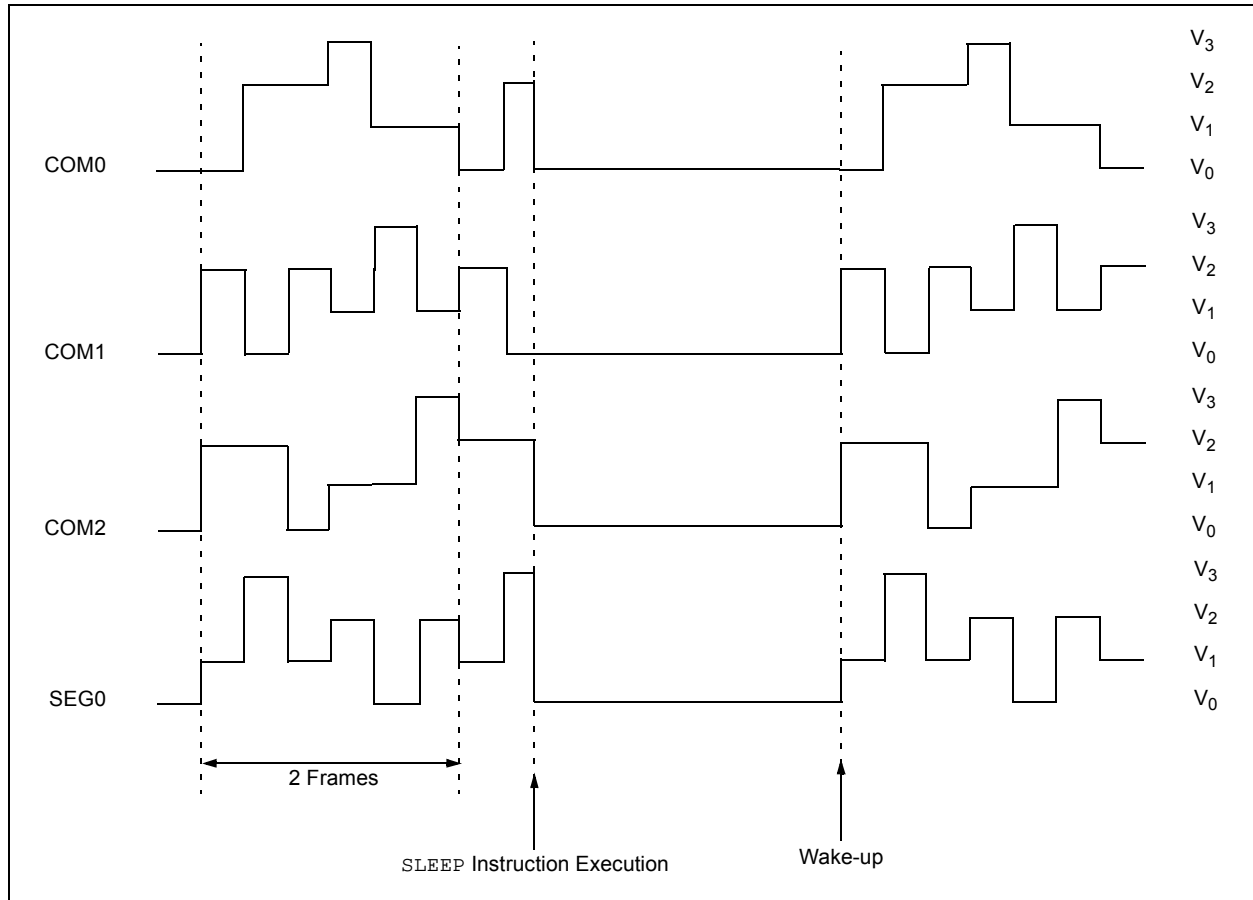
If a SLEEP instruction is executed and SLPEN = 0, the module will continue to display the current contents of the LCDDATA registers. The LCD data cannot be changed.

To allow the module to continue operation while in Sleep, the clock source must be either the internal RC oscillator or Timer1 external oscillator.

If the system clock is selected and the module is programmed to not Sleep, the module will ignore the SLPEN bit and stop operation immediately. The minimum LCD voltage then will be driven onto the segments and commons.

**Note:** The internal RC oscillator or external SOSC oscillator must be used to operate the LCD module during Sleep.

**FIGURE 20-19: SLEEP ENTRY/EXIT WHEN SLPEN = 1 OR CS<1:0> = 00**



# PIC18F87K90 FAMILY

---

## 20.11 Configuring the LCD Module

To configure the LCD module.

1. Select the frame clock prescale, using bits, LP<3:0> (LCDPS<3:0>).
2. Configure the appropriate pins to function as segment drivers using the LCDSEx registers.
3. If using the internal reference resistors for biasing, enable the internal reference ladder and:
  - Define the Mode A and Mode B interval by using the LRLAT<2:0> bits (LCDRL<2:0>)
  - Define the low, medium or high ladder for Mode A and Mode B by using the LRLAP<1:0> bits (LCDRL<7:6>) and the LRLBP<1:0> bits (LCDRL<5:4>), respectively
  - Set the VLCDxPE bits and enable the LCDIRE bit (LCDREF<7>)
4. Configure the following LCD module functions using the LCDCON register:
  - Multiplex and Bias mode – LMUX<1:0> bits
  - Timing Source – CS<1:0> bits
  - Sleep mode – SLPEN bit
5. Write initial values to the pixel data registers, LCDDATA0 through LCDDATA23.
6. Clear the LCD Interrupt Flag, LCDIF (PIR3<6>), and if desired, enable the interrupt by setting bit, LCDIE (PIE3<6>).
7. Enable the LCD module by setting bit, LCDEN (LCDCON<7>).

# PIC18F87K90 FAMILY

**TABLE 20-7: REGISTERS ASSOCIATED WITH LCD OPERATION**

| Name                     | Bit 7    | Bit 6     | Bit 5           | Bit 4           | Bit 3           | Bit 2           | Bit 1            | Bit 0            | Reset Values on Page: |
|--------------------------|----------|-----------|-----------------|-----------------|-----------------|-----------------|------------------|------------------|-----------------------|
| INTCON                   | GIE/GIEH | PEIE/GIEL | TMR0IE          | INT0IE          | RBIE            | TMR0IF          | INT0IF           | RBIF             | 75                    |
| PIR3                     | TMR5GIF  | LCDIF     | RC2IF           | TX2IF           | CTMUIF          | CCP2IF          | CCP1IF           | RTCCIF           | 77                    |
| PIE3                     | TMR5GIE  | LCDIE     | RC2IE           | TX2IE           | CTMUIE          | CCP2IE          | CCP1IE           | RTCCIE           | 77                    |
| IPR3                     | TMR5GIP  | LCDIP     | RC2IP           | TX2IP           | CTMUIP          | CCP2IP          | CCP1IP           | RTCCIP           | 77                    |
| RCON                     | IPEN     | SBOREN    | $\overline{CM}$ | $\overline{RI}$ | $\overline{TO}$ | $\overline{PD}$ | $\overline{POR}$ | $\overline{BOR}$ | 76                    |
| LCDDATA23 <sup>(1)</sup> | S47C3    | S46C3     | S45C3           | S44C3           | S43C3           | S42C3           | S41C3            | S40C3            | 79                    |
| LCDDATA22 <sup>(1)</sup> | S39C3    | S38C3     | S37C3           | S36C3           | S35C3           | S34C3           | S33C3            | S32C3            | 79                    |
| LCDDATA21                | S31C3    | S30C3     | S29C3           | S28C3           | S27C3           | S26C3           | S25C3            | S24C3            | 79                    |
| LCDDATA20                | S23C3    | S22C3     | S21C3           | S20C3           | S19C3           | S18C3           | S17C3            | S16C3            | 79                    |
| LCDDATA19                | S15C3    | S14C3     | S13C3           | S12C3           | S11C3           | S10C3           | S09C3            | S08C3            | 79                    |
| LCDDATA18                | S07C3    | S06C3     | S05C3           | S04C3           | S03C3           | S02C3           | S01C3            | S00C3            | 79                    |
| LCDDATA17 <sup>(1)</sup> | S47C2    | S46C2     | S45C2           | S44C2           | S43C2           | S42C2           | S41C2            | S40C2            | 79                    |
| LCDDATA16 <sup>(1)</sup> | S39C2    | S38C2     | S37C2           | S36C2           | S35C2           | S34C2           | S33C2            | S32C2            | 79                    |
| LCDDATA15                | S31C2    | S30C2     | S29C2           | S28C2           | S27C2           | S26C2           | S25C2            | S24C2            | 79                    |
| LCDDATA14                | S23C2    | S22C2     | S21C2           | S20C2           | S19C2           | S18C2           | S17C2            | S16C2            | 79                    |
| LCDDATA13                | S15C2    | S14C2     | S13C2           | S12C2           | S11C2           | S10C2           | S09C2            | S08C2            | 79                    |
| LCDDATA12                | S07C2    | S06C2     | S05C2           | S04C2           | S03C2           | S02C2           | S01C2            | S00C2            | 79                    |
| LCDDATA11 <sup>(1)</sup> | S47C1    | S46C1     | S45C1           | S44C1           | S43C1           | S42C1           | S41C1            | S40C1            | 79                    |
| LCDDATA10 <sup>(1)</sup> | S39C1    | S38C1     | S37C1           | S36C1           | S35C1           | S34C1           | S33C1            | S32C1            | 79                    |
| LCDDATA9                 | S31C1    | S30C1     | S29C1           | S28C1           | S27C1           | S26C1           | S25C1            | S24C1            | 79                    |
| LCDDATA8                 | S23C1    | S22C1     | S21C1           | S20C1           | S19C1           | S18C1           | S17C1            | S16C1            | 79                    |
| LCDDATA7                 | S15C1    | S14C1     | S13C1           | S12C1           | S11C1           | S10C1           | S09C1            | S08C1            | 79                    |
| LCDDATA6                 | S07C1    | S06C1     | S05C1           | S04C1           | S03C1           | S02C1           | S01C1            | S00C1            | 79                    |
| LCDDATA5 <sup>(1)</sup>  | S47C0    | S46C0     | S45C0           | S44C0           | S43C0           | S42C0           | S41C0            | S40C0            | 79                    |
| LCDDATA4 <sup>(1)</sup>  | S39C0    | S38C0     | S37C0           | S36C0           | S35C0           | S34C0           | S33C0            | S32C0            | 79                    |
| LCDDATA3                 | S31C0    | S30C0     | S29C0           | S28C0           | S27C0           | S26C0           | S25C0            | S24C0            | 79                    |
| LCDDATA2                 | S23C0    | S22C0     | S21C0           | S20C0           | S19C0           | S18C0           | S17C0            | S16C0            | 79                    |
| LCDDATA1                 | S15C0    | S14C0     | S13C0           | S12C0           | S11C0           | S10C0           | S09C0            | S08C0            | 79                    |
| LCDDATA0                 | S07C0    | S06C0     | S05C0           | S04C0           | S03C0           | S02C0           | S01C0            | S00C0            | 79                    |
| LCDSE5 <sup>(2)</sup>    | SE47     | SE46      | SE45            | SE44            | SE43            | SE42            | SE41             | SE40             | 83                    |
| LCDSE4 <sup>(2)</sup>    | SE39     | SE38      | SE37            | SE36            | SE35            | SE34            | SE33             | SE32             | 83                    |
| LCDSE3                   | SE31     | SE30      | SE29            | SE28            | SE27            | SE26            | SE25             | SE24             | 83                    |
| LCDSE2                   | SE23     | SE22      | SE21            | SE20            | SE19            | SE18            | SE17             | SE16             | 83                    |
| LCDSE1                   | SE15     | SE14      | SE13            | SE12            | SE11            | SE10            | SE9              | SE8              | 83                    |
| LCDSE0                   | SE7      | SE6       | SE5             | SE4             | SE3             | SE2             | SE1              | SE0              | 83                    |
| LCDCON                   | LCDEN    | SLPEN     | WERR            | —               | CS1             | CS0             | LMUX1            | LMUX0            | 83                    |
| LCDPS                    | WFT      | BIASMD    | LCDA            | WA              | LP3             | LP2             | LP1              | LP0              | 83                    |
| LCDREF                   | LCDIRE   | LCDIRS    | LCDCST2         | LCDCST1         | LCDCST0         | VLCD3PE         | VLCD2PE          | VLCD1PE          | 83                    |
| LCDRL                    | LRLAP1   | LRLAP0    | LRLBP1          | LRLBP0          | —               | LRLAT2          | LRLAT1           | LRLAT0           | 83                    |

**Legend:** — = unimplemented, read as '0'. Shaded cells are not used for LCD operations.

**Note 1:** These registers are implemented, but unused on 64-pin devices, and may be used as general purpose data RAM.

**2:** These registers are unimplemented in 64-pin devices.

# PIC18F87K90 FAMILY

---

NOTES:



# PIC18F87K90 FAMILY

## 21.3.1 REGISTERS

Each MSSP module has four registers for SPI mode operation. These are:

- MSSPx Control Register 1 (SSPxCON1)
- MSSPx Status Register (SSPxSTAT)
- Serial Receive/Transmit Buffer Register (SSPxBUF)
- MSSPx Shift Register (SSPxSR) – Not directly accessible

SSPxCON1 and SSPxSTAT are the control and status registers in SPI mode operation. The SSPxCON1 register is readable and writable. The lower 6 bits of the SSPxSTAT are read-only. The upper two bits of the SSPxSTAT are read/write.

SSPxSR is the shift register used for shifting data in or out. SSPxBUF is the buffer register to which data bytes are written to or read from.

In receive operations, SSPxSR and SSPxBUF together create a double-buffered receiver. When SSPxSR receives a complete byte, it is transferred to SSPxBUF and the SSPxIF interrupt is set.

During transmission, the SSPxBUF is not double-buffered. A write to SSPxBUF will write to both SSPxBUF and SSPxSR.

**Note:** The SSPxBUF register cannot be used with read-modify-write instructions, such as BCF, COMF, etc.

To avoid lost data in Master mode, a read of the SSPxBUF must be performed to clear the Buffer Full (BF) detect bit (SSPxSTAT<0>) between each transmission.

### REGISTER 21-1: SSPxSTAT: MSSPx STATUS REGISTER (SPI MODE)

|       |                    |              |     |     |              |     |       |
|-------|--------------------|--------------|-----|-----|--------------|-----|-------|
| R/W-0 | R/W-0              | R-0          | R-0 | R-0 | R-0          | R-0 | R-0   |
| SMP   | CKE <sup>(1)</sup> | D/ $\bar{A}$ | P   | S   | R/ $\bar{W}$ | UA  | BF    |
| bit 7 |                    |              |     |     |              |     | bit 0 |

#### Legend:

R = Readable bit  
-n = Value at POR

W = Writable bit  
'1' = Bit is set

U = Unimplemented bit, read as '0'  
'0' = Bit is cleared

x = Bit is unknown

- bit 7      **SMP:** Sample bit  
SPI Master mode:  
 1 = Input data sampled at the end of data output time  
 0 = Input data sampled at the middle of data output time  
SPI Slave mode:  
 SMP must be cleared when SPI is used in Slave mode.
- bit 6      **CKE:** SPI Clock Select bit<sup>(1)</sup>  
 1 = Transmit occurs on transition from active to Idle clock state  
 0 = Transmit occurs on transition from Idle to active clock state
- bit 5      **D/ $\bar{A}$ :** Data/Address bit  
 Used in I<sup>2</sup>C™ mode only.
- bit 4      **P:** Stop bit  
 Used in I<sup>2</sup>C mode only. This bit is cleared when the MSSPx module is disabled; SSPEN is cleared.
- bit 3      **S:** Start bit  
 Used in I<sup>2</sup>C mode only.
- bit 2      **R/ $\bar{W}$ :** Read/Write Information bit  
 Used in I<sup>2</sup>C mode only.
- bit 1      **UA:** Update Address bit  
 Used in I<sup>2</sup>C mode only.
- bit 0      **BF:** Buffer Full Status bit (Receive mode only)  
 1 = Receive complete, SSPxBUF is full  
 0 = Receive not complete, SSPxBUF is empty

**Note 1:** Polarity of the clock state is set by the CKP bit (SSPxCON1<4>).



# PIC18F87K90 FAMILY

## REGISTER 21-2: SSPxCON1: MSSPx CONTROL REGISTER 1 (SPI MODE)

| R/W-0 | R/W-0                | R/W-0                | R/W-0 | R/W-0                | R/W-0                | R/W-0                | R/W-0                |
|-------|----------------------|----------------------|-------|----------------------|----------------------|----------------------|----------------------|
| WCOL  | SSPOV <sup>(1)</sup> | SSPEN <sup>(2)</sup> | CKP   | SSPM3 <sup>(3)</sup> | SSPM2 <sup>(3)</sup> | SSPM1 <sup>(3)</sup> | SSPM0 <sup>(3)</sup> |
| bit 7 |                      |                      |       |                      |                      |                      | bit 0                |

### Legend:

|                   |                  |                                    |
|-------------------|------------------|------------------------------------|
| R = Readable bit  | W = Writable bit | U = Unimplemented bit, read as '0' |
| -n = Value at POR | '1' = Bit is set | '0' = Bit is cleared               |
|                   |                  | x = Bit is unknown                 |

- bit 7      **WCOL:** Write Collision Detect bit  
 1 = The SSPxBUF register is written while it is still transmitting the previous word (must be cleared in software)  
 0 = No collision
- bit 6      **SSPOV:** Receive Overflow Indicator bit<sup>(1)</sup>  
SPI Slave mode:  
 1 = A new byte is received while the SSPxBUF register is still holding the previous data. In case of overflow, the data in SSPxSR is lost. Overflow can only occur in Slave mode. The user must read the SSPxBUF, even if only transmitting data, to avoid setting overflow (must be cleared in software).  
 0 = No overflow
- bit 5      **SSPEN:** Master Synchronous Serial Port Enable bit<sup>(2)</sup>  
 1 = Enables serial port and configures SCKx, SDOx, SDIx and  $\overline{SSx}$  as serial port pins  
 0 = Disables serial port and configures these pins as I/O port pins
- bit 4      **CKP:** Clock Polarity Select bit  
 1 = Idle state for clock is a high level  
 0 = Idle state for clock is a low level
- bit 3-0    **SSPM<3:0>:** Master Synchronous Serial Port Mode Select bits<sup>(3)</sup>  
 1010 = SPI Master mode: Clock = Fosc/8  
 0101 = SPI Slave mode: Clock = SCKx pin;  $\overline{SSx}$  pin control is disabled;  $\overline{SSx}$  can be used as an I/O pin  
 0100 = SPI Slave mode: Clock = SCKx pin;  $\overline{SSx}$  pin control is enabled  
 0011 = SPI Master mode: Clock = TMR2 Output/2  
 0010 = SPI Master mode: Clock = Fosc/64  
 0001 = SPI Master mode: Clock = Fosc/16  
 0000 = SPI Master mode: Clock = Fosc/4

- Note 1:** In Master mode, the overflow bit is not set since each new reception (and transmission) is initiated by writing to the SSPxBUF register.
- 2:** When enabled, these pins must be properly configured as inputs or outputs.
- 3:** Bit combinations not specifically listed here are either reserved or implemented in I<sup>2</sup>C™ mode only.

# PIC18F87K90 FAMILY

## 21.3.2 OPERATION

When initializing the SPI, several options need to be specified. This is done by programming the appropriate control bits (SSPxCON1<5:0> and SSPxSTAT<7:6>). These control bits allow the following to be specified:

- Master mode (SCKx is the clock output)
- Slave mode (SCKx is the clock input)
- Clock Polarity (Idle state of SCKx)
- Data Input Sample Phase (middle or end of data output time)
- Clock Edge (output data on rising/falling edge of SCKx)
- Clock Rate (Master mode only)
- Slave Select mode (Slave mode only)

Each MSSP module consists of a Transmit/Receive Shift register (SSPxSR) and a Serial Receive Transmit Buffer register (SSPxBUF). The SSPxSR shifts the data in and out of the device, MSb first. The SSPxBUF holds the data that was written to the SSPxSR until the received data is ready. Once the 8 bits of data have been received, that byte is moved to the SSPxBUF register. Then, the Buffer Full detect bit, BF (SSPxSTAT<0>), and the interrupt flag bit, SSPxIF, are set. This double-buffering of the received data (SSPxBUF) allows the next byte to start reception before reading the data that was just received. Any write to the SSPxBUF register during transmission/reception of data will be ignored and the Write Collision Detect bit, WCOL (SSPxCON1<7>), will be set. User software must clear the WCOL bit so that it can be determined if the following write(s) to the SSPxBUF register completed successfully.

When the application software is expecting to receive valid data, the SSPxBUF should be read before the next byte of data to transfer is written to the SSPxBUF. The Buffer Full bit, BF (SSPxSTAT<0>), indicates when SSPxBUF has been loaded with the received data (transmission is complete). When the SSPxBUF is read, the BF bit is cleared. This data may be irrelevant if the SPI is only a transmitter. Generally, the MSSP interrupt is used to determine when the transmission/reception has completed. If the interrupt method is not going to be used, then software polling can be done to ensure that a write collision does not occur. [Example 21-1](#) shows the loading of the SSPxBUF (SSPxSR) for data transmission.

The SSPxSR is not directly readable or writable and can only be accessed by addressing the SSPxBUF register. Additionally, the SSPxSTAT register indicates the various status conditions.

## 21.3.3 OPEN-DRAIN OUTPUT OPTION

The drivers for the SDOx output and SCKx clock pins can be optionally configured as open-drain outputs. This feature allows the voltage level on the pin to be pulled to a higher level through an external pull-up resistor, and allows the output to communicate with external circuits without the need for additional level shifters. For more information, see [Section 11.1.3 “Open-Drain Outputs”](#).

The open-drain output option is controlled by the SSP2OD (ODCON1<0>) and SSP1OD bits (ODCON1<7>). Setting an SSPxOD bit configures the SDOx and SCKx pins for the corresponding module for open-drain operation.

**Note:** To avoid lost data in Master mode, a read of the SSPxBUF must be performed to clear the Buffer Full (BF) detect bit (SSPxSTAT<0>) between each transmission.

### EXAMPLE 21-1: LOADING THE SSP1BUF (SSP1SR) REGISTER

|      |       |              |  |
|------|-------|--------------|--|
| LOOP | BTFSS | SSP1STAT, BF | ;Has data been received (transmit complete)? |
|      | BRA   | LOOP         | ;No  |
|      | MOVF  | SSP1BUF, W   | ;WREG reg = contents of SSP1BUF              |
|      | MOVWF | RXDATA       | ;Save in user RAM, if data is meaningful     |
|      | MOVF  | TXDATA, W    | ;W reg = contents of TXDATA                  |
|      | MOVWF | SSP1BUF      | ;New data to xmit                            |

## 21.3.4 ENABLING SPI I/O

To enable the serial port, MSSP Enable bit, SSPEN (SSPxCON1<5>), must be set. To reset or reconfigure SPI mode, clear the SSPEN bit, reinitialize the SSPxCON registers and then set the  $\overline{SSx}$  bit. This configures the SDIx, SDOx, SCKx and  $\overline{SSx}$  pins as serial port pins. For the pins to behave as the serial port function, some must have their data direction bits (in the TRIS register) appropriately programmed as follows:

- SDIx must have TRISC<4> or TRISD<5> bit set
- SDOx must have the TRISC<5> or TRISD<4> bit cleared
- SCKx (Master mode) must have the TRISC<3> or TRISD<6> bit cleared
- SCKx (Slave mode) must have the TRISC<3> or TRISD<6> bit set
- $\overline{SSx}$  must have the TRISF<7> or TRISD<7> bit set

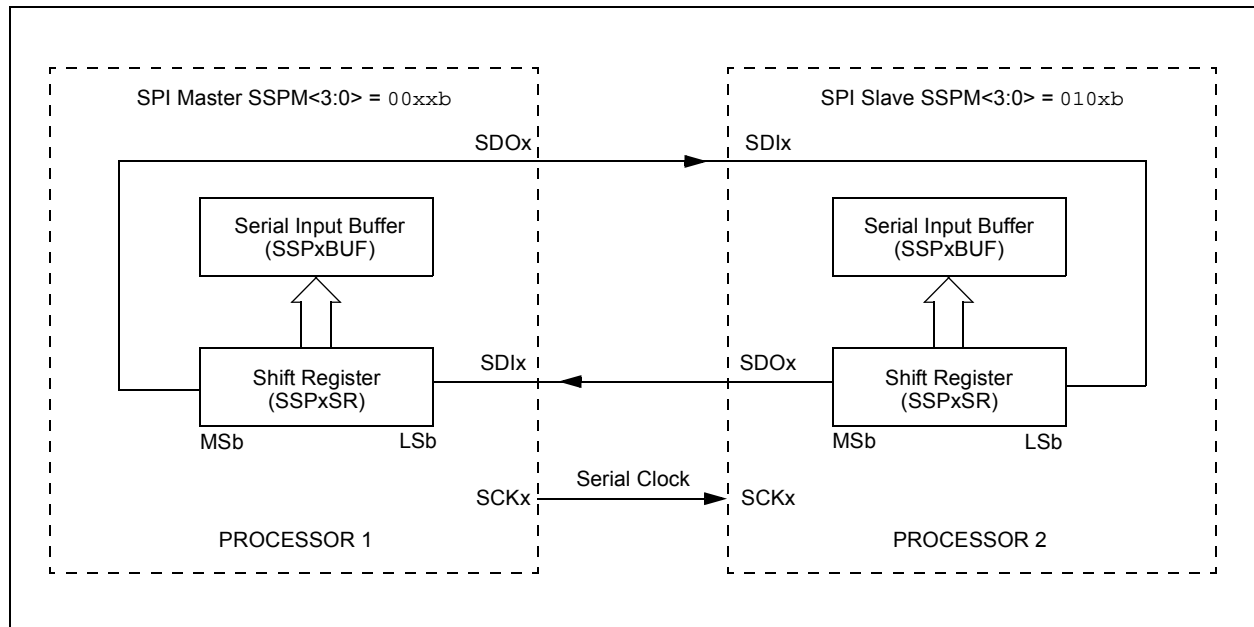
Any serial port function that is not desired may be overridden by programming the corresponding Data Direction (TRIS) register to the opposite value.

## 21.3.5 TYPICAL CONNECTION

Figure 21-2 shows a typical connection between two microcontrollers. The master controller (Processor 1) initiates the data transfer by sending the SCKx signal. Data is shifted out of both shift registers on their programmed clock edge and latched on the opposite edge of the clock. Both processors should be programmed to the same Clock Polarity (CKP), then both controllers would send and receive data at the same time. Whether the data is meaningful (or dummy data) depends on the application software. This leads to three scenarios for data transmission:

- Master sends data – Slave sends dummy data
- Master sends data – Slave sends data
- Master sends dummy data – Slave sends data

**FIGURE 21-2: SPI MASTER/SLAVE CONNECTION**



# PIC18F87K90 FAMILY

## 21.3.6 MASTER MODE

The master can initiate the data transfer at any time because it controls the SCKx. The master determines when the slave (Processor 1, [Figure 21-2](#)) is to broadcast data by the software protocol.

In Master mode, the data is transmitted/received as soon as the SSPxBUF register is written to. If the SPI is only going to receive, the SDOx output could be disabled (programmed as an input). The SSPxSR register will continue to shift in the signal present on the SDIx pin at the programmed clock rate. As each byte is received, it will be loaded into the SSPxBUF register as if a normal received byte (interrupts and status bits appropriately set). This could be useful in receiver applications as a “Line Activity Monitor” mode.

The clock polarity is selected by appropriately programming the CKP bit (SSPxCON1<4>). This, then, would give waveforms for SPI communication as

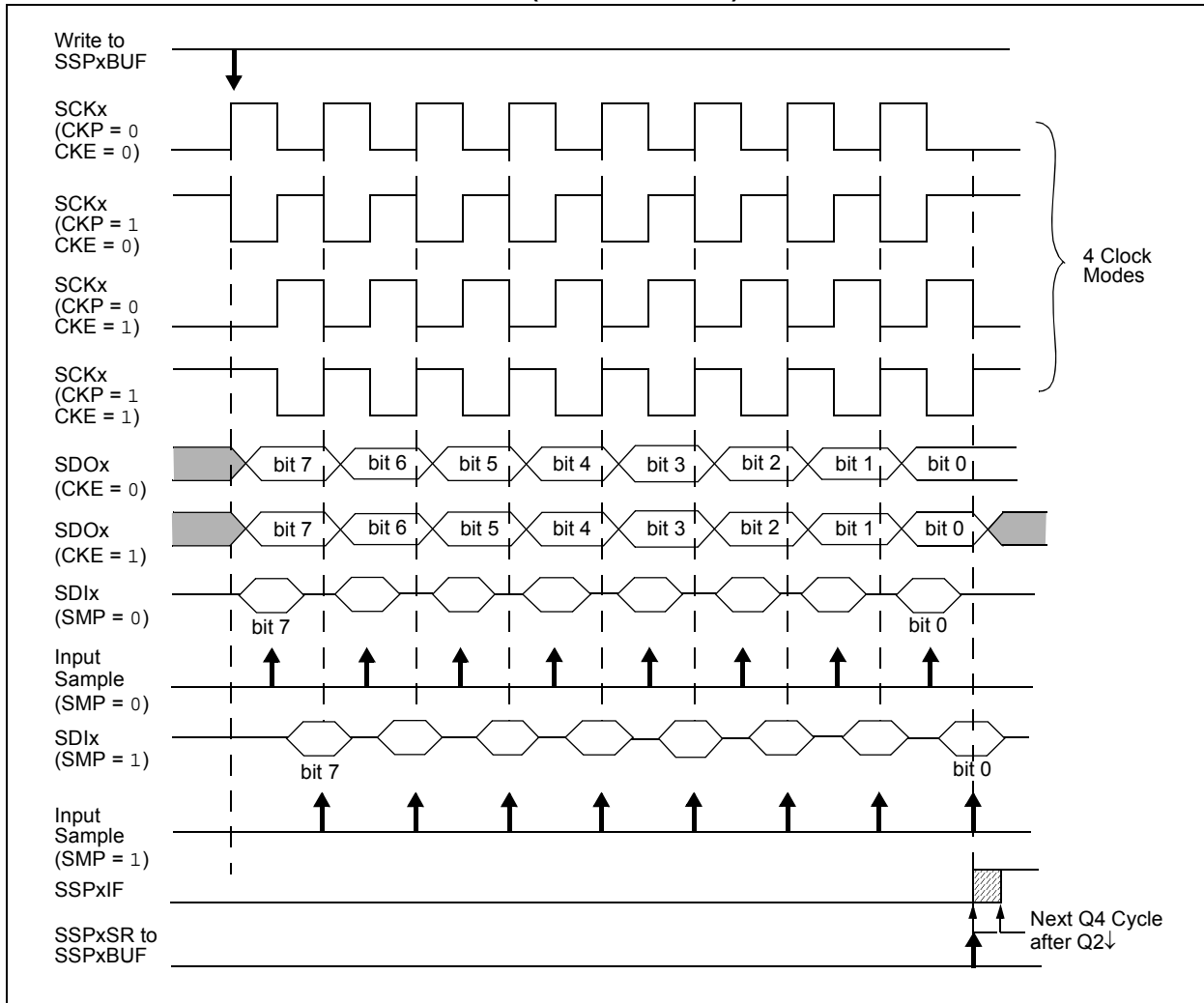
shown in [Figure 21-3](#), [Figure 21-5](#) and [Figure 21-6](#), where the MSB is transmitted first. In Master mode, the SPI clock rate (bit rate) is user-programmable to be one of the following:

- $F_{OSC}/4$  (or  $T_{CY}$ )
- $F_{OSC}/16$  (or  $4 \cdot T_{CY}$ )
- $F_{OSC}/64$  (or  $16 \cdot T_{CY}$ )
- $\text{Timer2 output}/2$

This allows a maximum data rate (at 40 MHz) of 10.00 Mbps.

[Figure 21-3](#) shows the waveforms for Master mode. When the CKE bit is set, the SDOx data is valid before there is a clock edge on SCKx. The change of the input sample is shown based on the state of the SMP bit. The time when the SSPxBUF is loaded with the received data is shown.

**FIGURE 21-3: SPI MODE WAVEFORM (MASTER MODE)**



## 21.3.7 SLAVE MODE

In Slave mode, the data is transmitted and received as the external clock pulses appear on SCKx. When the last bit is latched, the SSPxIF interrupt flag bit is set.

While in Slave mode, the external clock is supplied by the external clock source on the SCKx pin. This external clock must meet the minimum high and low times as specified in the electrical specifications.

While in Sleep mode, the slave can transmit/receive data. When a byte is received, the device can be configured to wake-up from Sleep.

## 21.3.8 SLAVE SELECT SYNCHRONIZATION

The  $\overline{SSx}$  pin allows a Synchronous Slave mode. The SPI must be in Slave mode with the  $\overline{SSx}$  pin control enabled ( $SSPxCON1<3:0> = 04h$ ). When the  $\overline{SSx}$  pin is low, transmission and reception are enabled and the SDOx pin is driven. When the  $\overline{SSx}$  pin goes high, the SDOx pin is no longer driven, even if in the middle of a

transmitted byte and becomes a floating output. External pull-up/pull-down resistors may be desirable depending on the application.

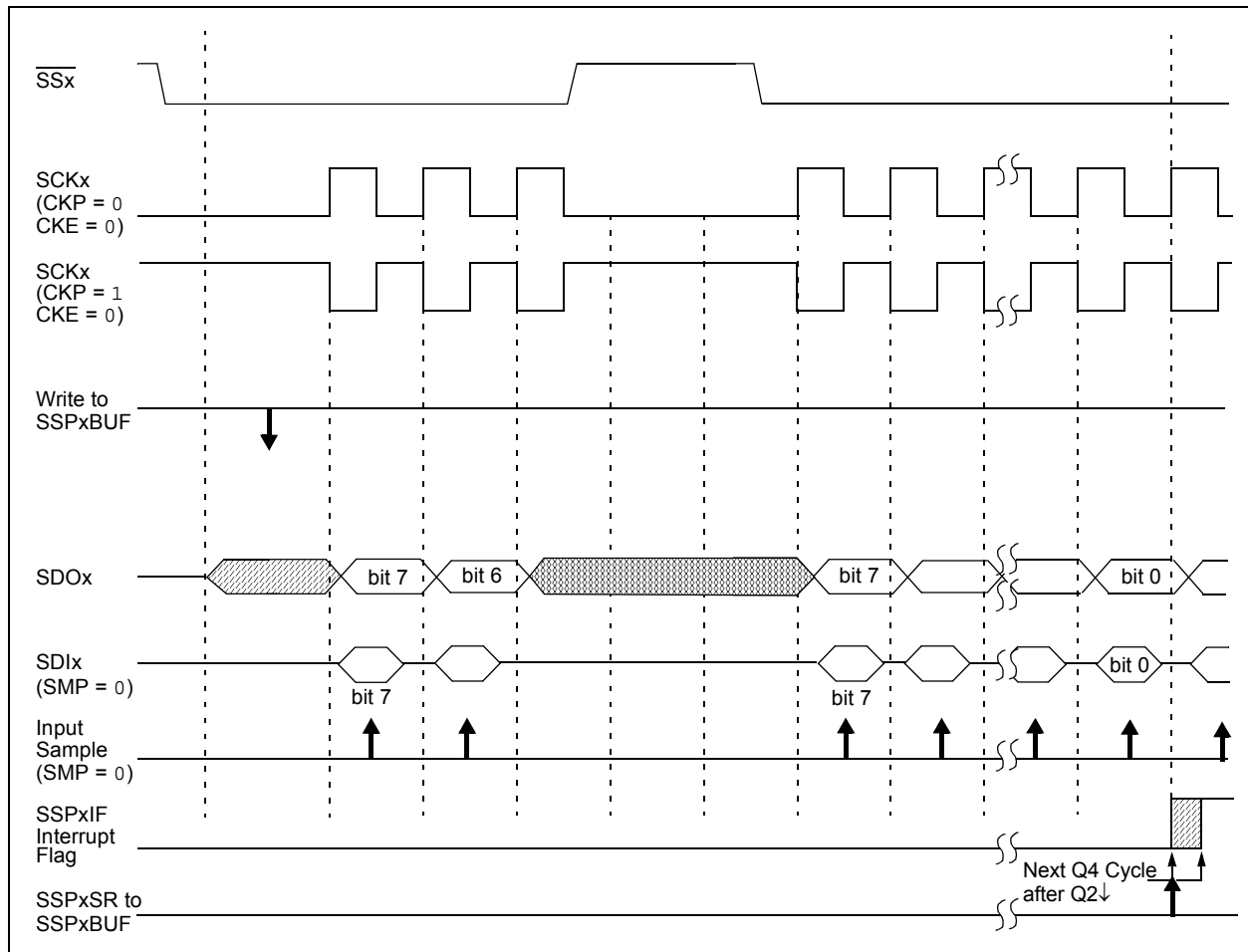
**Note 1:** When the SPI is in Slave mode, with the  $\overline{SSx}$  pin control enabled ( $SSPxCON1<3:0> = 0100$ ), the SPI module will reset if the  $\overline{SSx}$  pin is set to VDD.

**2:** If the SPI is used in Slave mode, with CKE set, then the  $\overline{SSx}$  pin control must be enabled.

When the SPI module resets, the bit counter is forced to '0'. This can be done by either forcing the  $\overline{SSx}$  pin to a high level or clearing the SSPEN bit.

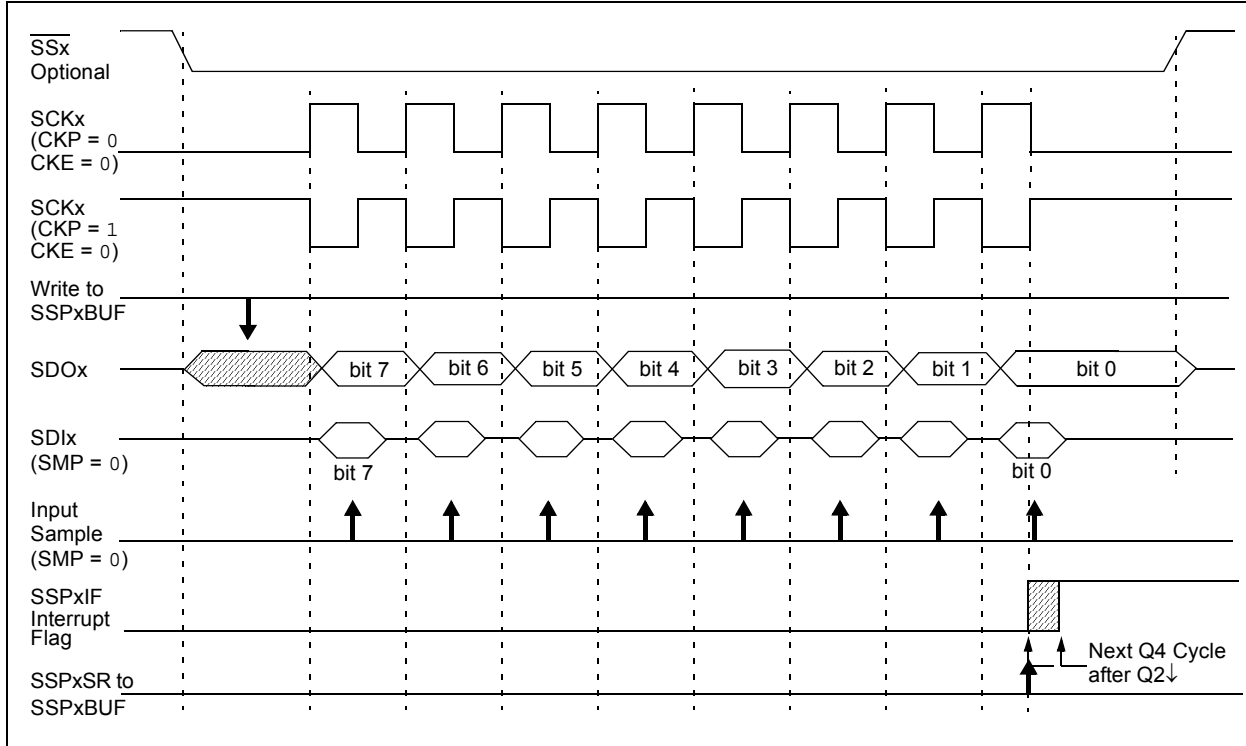
To emulate two-wire communication, the SDOx pin can be connected to the SDIx pin. When the SPI needs to operate as a receiver, the SDOx pin can be configured as an input. This disables transmissions from the SDOx. The SDIx can always be left as an input (SDIx function) since it cannot create a bus conflict.

**FIGURE 21-4: SLAVE SYNCHRONIZATION WAVEFORM**

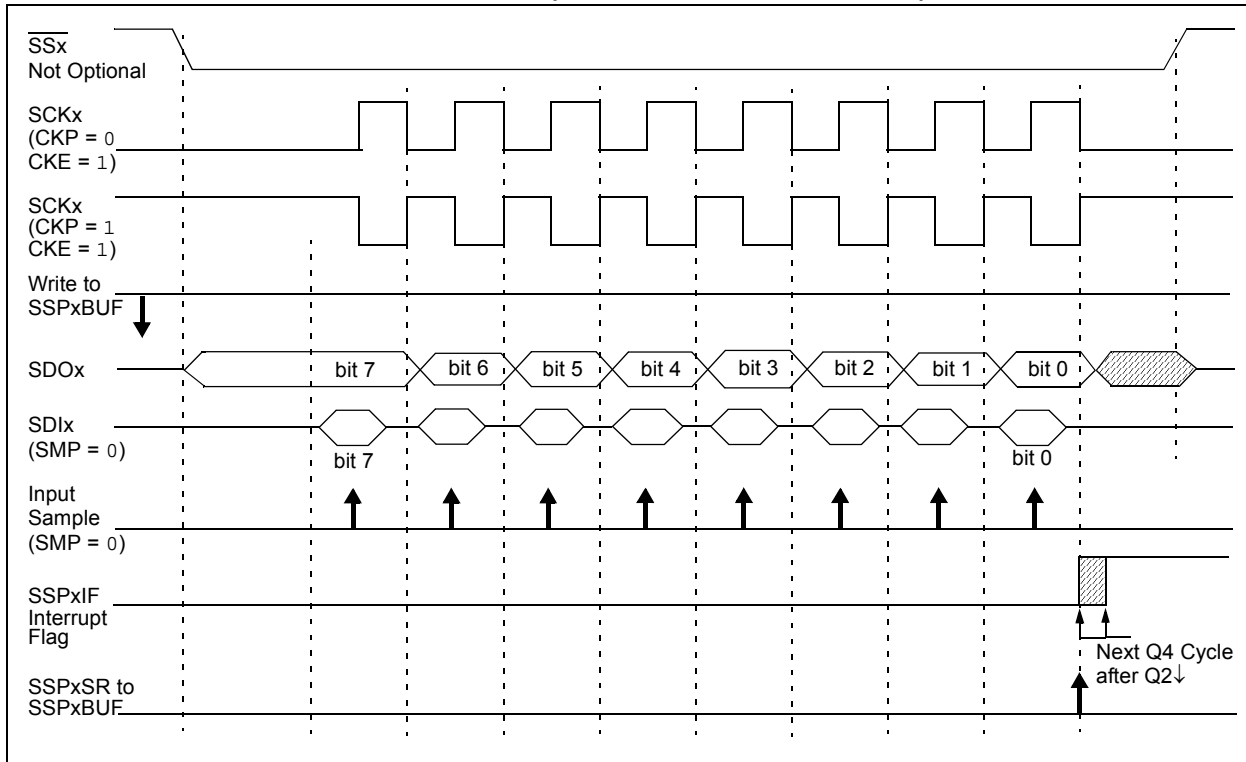


# PIC18F87K90 FAMILY

**FIGURE 21-5: SPI MODE WAVEFORM (SLAVE MODE WITH CKE = 0)**



**FIGURE 21-6: SPI MODE WAVEFORM (SLAVE MODE WITH CKE = 1)**



## 21.3.9 OPERATION IN POWER-MANAGED MODES

In SPI Master mode, module clocks may be operating at a different speed than when in full-power mode; in the case of the Sleep mode, all clocks are halted.

In Idle modes, a clock is provided to the peripherals. That clock can be from the primary clock source, the secondary clock (SOSC oscillator) or the INTOSC source. See [Section 3.3 “Clock Sources and Oscillator Switching”](#) for additional information.

In most cases, the speed that the master clocks SPI data is not important; however, this should be evaluated for each system.

If MSSP interrupts are enabled, they can wake the controller from Sleep mode, or one of the Idle modes, when the master completes sending data. If an exit from Sleep or Idle mode is not desired, MSSP interrupts should be disabled.

If the Sleep mode is selected, all module clocks are halted and the transmission/reception will remain in that state until the device wakes. After the device returns to Run mode, the module will resume transmitting and receiving data.

In SPI Slave mode, the SPI Transmit/Receive Shift register operates asynchronously to the device. This allows the device to be placed in any power-managed mode and data to be shifted into the SPI Transmit/Receive Shift register. When all 8 bits have been received, the MSSP interrupt flag bit will be set, and if enabled, will wake the device.

## 21.3.10 EFFECTS OF A RESET

A Reset disables the MSSP module and terminates the current transfer.

## 21.3.11 BUS MODE COMPATIBILITY

[Table 21-1](#) shows the compatibility between the standard SPI modes and the states of the CKP and CKE control bits.

**TABLE 21-1: SPI BUS MODES**

| Standard SPI Mode Terminology | Control Bits State |     |
|-------------------------------|--------------------|-----|
|                               | CKP                | CKE |
| 0, 0                          | 0                  | 1   |
| 0, 1                          | 0                  | 0   |
| 1, 0                          | 1                  | 1   |
| 1, 1                          | 1                  | 0   |

There is also an SMP bit which controls when the data is sampled.

## 21.3.12 SPI CLOCK SPEED AND MODULE INTERACTIONS

Because MSSP1 and MSSP2 are independent modules, they can operate simultaneously at different data rates. Setting the SSPM<3:0> bits of the SSPxCON1 register determines the rate for the corresponding module.

An exception is when both modules use Timer2 as a time base in Master mode. In this instance, any changes to the Timer2 module's operation will affect both MSSP modules equally. If different bit rates are required for each module, the user should select one of the other three time base options for one of the modules.

# PIC18F87K90 FAMILY

**TABLE 21-2: REGISTERS ASSOCIATED WITH SPI OPERATION**

| Name     | Bit 7                                  | Bit 6     | Bit 5        | Bit 4  | Bit 3  | Bit 2        | Bit 1  | Bit 0            | Reset Values on Page: |
|----------|--|-----------|--------------|--------|--------|--------------|--------|------------------|-----------------------|
| INTCON   | GIE/GIEH                               | PEIE/GIEL | TMR0IE       | INT0IE | RBIE   | TMR0IF       | INT0IF | RBIF             | 75                    |
| PIR1     | —                                      | ADIF      | RC1IF        | TX1IF  | SSP1IF | TMR1GIF      | TMR2IF | TMR1IF           | 77                    |
| PIE1     | —                                      | ADIE      | RC1IE        | TX1IE  | SSP1IE | TMR1GIE      | TMR2IE | TMR1IE           | 77                    |
| IPR1     | —                                      | ADIP      | RC1IP        | TX1IP  | SSP1IP | TMR1GIP      | TMR2IP | TMR1IP           | 77                    |
| PIR2     | OSCFIF                                 | —         | SSP2IF       | BCL2IF | BCL1IF | HLVDIF       | TMR3IF | TMR3GIF          | 77                    |
| PIE2     | OSCFIE                                 | —         | SSP2IE       | BCL2IE | BCL1IE | HLVDIE       | TMR3IE | TMR3GIE          | 77                    |
| IPR2     | OSCFIP                                 | —         | SSP2IP       | BCL2IP | BCL1IP | HLVDIP       | TMR3IP | TMR3GIP          | 77                    |
| TRISC    | TRISC7                                 | TRISC6    | TRISC5       | TRISC4 | TRISC3 | TRISC2       | TRISC1 | TRISC0           | 78                    |
| TRISD    | TRISD7                                 | TRISD6    | TRISD5       | TRISD4 | TRISD3 | TRISD2       | TRISD1 | TRISD0           | 78                    |
| TRISF    | TRISF7                                 | TRISF6    | TRISF5       | TRISF4 | TRISF3 | TRISF2       | TRISF1 | —                | 78                    |
| SSP1BUF  | MSSP1 Receive Buffer/Transmit Register |           |              |        |        |              |        |                  | 82                    |
| SSP1CON1 | WCOL                                   | SSPOV     | SSPEN        | CKP    | SSPM3  | SSPM2        | SSPM1  | SSPM0            | 76                    |
| SSP1CON2 | GCEN                                   | ACKSTAT   | ACKDT        | ACKEN  | RCEN   | PEN          | RSEN   | SEN              | 76                    |
| SSP1STAT | SMP                                    | CKE       | D/ $\bar{A}$ | P      | S      | R/ $\bar{W}$ | UA     | BF               | 76                    |
| SSP2CON1 | WCOL                                   | SSPOV     | SSPEN        | CKP    | SSPM3  | SSPM2        | SSPM1  | SSPM0            | 82                    |
| SSP2CON2 | GCEN                                   | ACKSTAT   | ACKDT        | ACKEN  | RCEN   | PEN          | RSEN   | SEN              | 83                    |
| SSP2STAT | SMP                                    | CKE       | D/ $\bar{A}$ | P      | S      | R/ $\bar{W}$ | UA     | BF               | 82                    |
| SSP2BUF  | MSSP2 Receive Buffer/Transmit Register |           |              |        |        |              |        |                  | 82                    |
| ODCON3   | U2OD                                   | U1OD      | —            | —      | —      | —            | —      | CTMU $\bar{D}$ S | 81                    |

**Legend:** Shaded cells are not used by the MSSP module in SPI mode.



## 21.4 I<sup>2</sup>C™ Mode

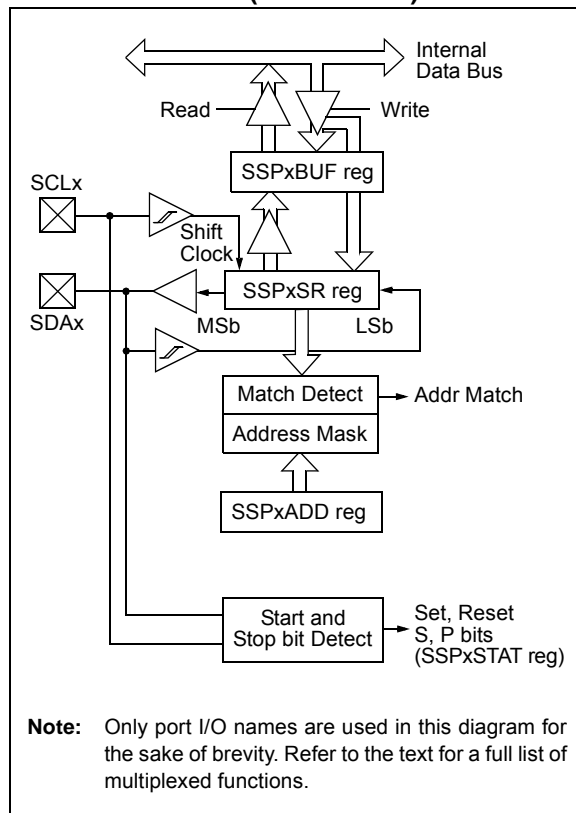
The MSSP module in I<sup>2</sup>C mode fully implements all master and slave functions (including general call support), and provides interrupts on Start and Stop bits in hardware to determine a free bus (multi-master function). The MSSP module implements the standard mode specifications, as well as 7-bit and 10-bit addressing.

Two pins are used for data transfer:

- Serial Clock (SCLx) – RC3/SCK1/SCL1/SEG17 or RD6/SEG6/SCK2/SCL2
- Serial Data (SDAx) – RC4/SDI1/SDA1/SEG16 or RD5/SEG5/SDI2/SDA2

The user must configure these pins as inputs by setting the associated TRIS bits.

**FIGURE 21-7: MSSPx BLOCK DIAGRAM (I<sup>2</sup>C™ MODE)**



### 21.4.1 REGISTERS

The MSSP module has seven registers for I<sup>2</sup>C operation. These are:

- MSSPx Control Register 1 (SSPxCON1)
- MSSPx Control Register 2 (SSPxCON2)
- MSSPx Status Register (SSPxSTAT)
- Serial Receive/Transmit Buffer Register (SSPxBUF)
- MSSPx Shift Register (SSPxSR) – Not directly accessible
- MSSPx Address Register (SSPxADD)
- I<sup>2</sup>C Slave Address Mask Register (SSPxMSK)

SSPxCON1, SSPxCON2 and SSPxSTAT are the control and status registers in I<sup>2</sup>C mode operation. The SSPxCON1 and SSPxCON2 registers are readable and writable. The lower 6 bits of the SSPxSTAT are read-only. The upper two bits of the SSPxSTAT are read/write.

SSPxSR is the shift register used for shifting data in or out. SSPxBUF is the buffer register to which data bytes are written to or read from.

SSPxADD contains the slave device address when the MSSP is configured in I<sup>2</sup>C Slave mode. When the MSSP is configured in Master mode, the lower seven bits of SSPxADD act as the Baud Rate Generator reload value.

SSPxMSK holds the slave address mask value when the module is configured for 7-Bit Address Masking mode. While it is a separate register, it shares the same SFR address as SSPxADD. It is only accessible when the SSPM<3:0> bits are specifically set to permit access. Additional details are provided in [Section 21.4.3.4 “7-Bit Address Masking Mode”](#).

In receive operations, SSPxSR and SSPxBUF together, create a double-buffered receiver. When SSPxSR receives a complete byte, it is transferred to SSPxBUF and the SSPxIF interrupt is set.

During transmission, the SSPxBUF is not double-buffered. A write to SSPxBUF will write to both SSPxBUF and SSPxSR.

# PIC18F87K90 FAMILY

## REGISTER 21-3: SSPxSTAT: MSSPx STATUS REGISTER (I<sup>2</sup>C™ MODE)

|       |       |     |                  |                  |                      |     |       |
|-------|-------|-----|------------------|------------------|----------------------|-----|-------|
| R/W-0 | R/W-0 | R-0 | R-0              | R-0              | R-0                  | R-0 | R-0   |
| SMP   | CKE   | D/A | P <sup>(1)</sup> | S <sup>(1)</sup> | R/W <sup>(2,3)</sup> | UA  | BF    |
| bit 7 |       |     |                  |                  |                      |     | bit 0 |

### Legend:

|                   |                  |                                    |
|-------------------|------------------|------------------------------------|
| R = Readable bit  | W = Writable bit | U = Unimplemented bit, read as '0' |
| -n = Value at POR | '1' = Bit is set | '0' = Bit is cleared               |
|                   |                  | x = Bit is unknown                 |

- bit 7      **SMP:** Slew Rate Control bit  
In Master or Slave mode:  
 1 = Slew rate control is disabled for Standard Speed mode (100 kHz and 1 MHz)  
 0 = Slew rate control is enabled for High-Speed mode (400 kHz)
- bit 6      **CKE:** SMBus Select bit  
In Master or Slave mode:  
 1 = Enable SMBus-specific inputs  
 0 = Disable SMBus-specific inputs
- bit 5      **D/A:** Data/Address bit  
In Master mode:  
 Reserved.  
In Slave mode:  
 1 = Indicates that the last byte received or transmitted was data  
 0 = Indicates that the last byte received or transmitted was an address
- bit 4      **P:** Stop bit<sup>(1)</sup>  
 1 = Indicates that a Stop bit has been detected last  
 0 = Stop bit was not detected last
- bit 3      **S:** Start bit<sup>(1)</sup>  
 1 = Indicates that a Start bit has been detected last  
 0 = Start bit was not detected last
- bit 2      **R/W:** Read/Write Information bit<sup>(2,3)</sup>  
In Slave mode:  
 1 = Read  
 0 = Write  
In Master mode:  
 1 = Transmit is in progress  
 0 = Transmit is not in progress
- bit 1      **UA:** Update Address bit (10-Bit Slave mode only)  
 1 = Indicates that the user needs to update the address in the SSPxADD register  
 0 = Address does not need to be updated
- bit 0      **BF:** Buffer Full Status bit  
In Transmit mode:  
 1 = SSPxBUF is full  
 0 = SSPxBUF is empty  
In Receive mode:  
 1 = SSPxBUF is full (does not include the  $\overline{\text{ACK}}$  and Stop bits)  
 0 = SSPxBUF is empty (does not include the  $\overline{\text{ACK}}$  and Stop bits)

- Note 1:** This bit is cleared on Reset and when SSPEN is cleared.  
**Note 2:** This bit holds the R/W bit information following the last address match. This bit is only valid from the address match to the next Start bit, Stop bit or not  $\overline{\text{ACK}}$  bit.  
**Note 3:** ORing this bit with SEN, RSEN, PEN, RCEN or ACKEN will indicate if the MSSPx is in Active mode.

# PIC18F87K90 FAMILY

## REGISTER 21-4: SSPxCON1: MSSPx CONTROL REGISTER 1 (I<sup>2</sup>C™ MODE)

| R/W-0 | R/W-0 | R/W-0                | R/W-0 | R/W-0                | R/W-0                | R/W-0                | R/W-0                |
|-------|-------|----------------------|-------|----------------------|----------------------|----------------------|----------------------|
| WCOL  | SSPOV | SSPEN <sup>(1)</sup> | CKP   | SSPM3 <sup>(2)</sup> | SSPM2 <sup>(2)</sup> | SSPM1 <sup>(2)</sup> | SSPM0 <sup>(2)</sup> |
| bit 7 |       |                      |       |                      |                      |                      | bit 0                |

### Legend:

R = Readable bit

W = Writable bit

U = Unimplemented bit, read as '0'

-n = Value at POR

'1' = Bit is set

'0' = Bit is cleared

x = Bit is unknown

bit 7 **WCOL:** Write Collision Detect bit

#### In Master Transmit mode:

1 = A write to the SSPxBUF register was attempted while the I<sup>2</sup>C conditions were not valid for a transmission to be started (must be cleared in software)

0 = No collision

#### In Slave Transmit mode:

1 = The SSPxBUF register is written while it is still transmitting the previous word (must be cleared in software)

0 = No collision

#### In Receive mode (Master or Slave modes):

This is a "don't care" bit.

bit 6 **SSPOV:** Receive Overflow Indicator bit

#### In Receive mode:

1 = A byte is received while the SSPxBUF register is still holding the previous byte (must be cleared in software)

0 = No overflow

#### In Transmit mode:

This is a "don't care" bit in Transmit mode.

bit 5 **SSPEN:** Master Synchronous Serial Port Enable bit<sup>(1)</sup>

1 = Enables the serial port and configures the SDAx and SCLx pins as the serial port pins

0 = Disables the serial port and configures these pins as I/O port pins

bit 4 **CKP:** SCKx Release Control bit

#### In Slave mode:

1 = Releases clock

0 = Holds clock low (clock stretch); used to ensure data setup time

#### In Master mode:

Unused in this mode.

bit 3-0 **SSPM<3:0>:** Master Synchronous Serial Port Mode Select bits<sup>(2)</sup>

1111 = I<sup>2</sup>C Slave mode: 10-bit address with Start and Stop bit interrupts enabled

1110 = I<sup>2</sup>C Slave mode: 7-bit address with Start and Stop bit interrupts enabled

1011 = I<sup>2</sup>C Firmware Controlled Master mode (slave Idle)

1001 = Load the SSPMSK register at the SSPxADD SFR address<sup>(3,4)</sup>

1000 = I<sup>2</sup>C Master mode: Clock = Fosc/(4 \* (SSPxADD + 1))

0111 = I<sup>2</sup>C Slave mode: 10-bit address

0110 = I<sup>2</sup>C Slave mode: 7-bit address

**Note 1:** When enabled, the SDAx and SCLx pins must be configured as inputs.

**2:** Bit combinations not specifically listed here are either reserved or implemented in SPI mode only.

**3:** When SSPM<3:0> = 1001, any reads or writes to the SSPxADD SFR address actually access the SSPxMSK register.

**4:** This mode is only available when 7-Bit Address Masking mode is selected (MSSPMSK Configuration bit is '1').

# PIC18F87K90 FAMILY

## REGISTER 21-5: SSPxCON2: MSSPx CONTROL REGISTER 2 (I<sup>2</sup>C™ MASTER MODE)

| R/W-0 | R/W-0   | R/W-0                | R/W-0                | R/W-0               | R/W-0              | R/W-0               | R/W-0              |
|-------|---------|----------------------|----------------------|---------------------|--------------------|---------------------|--------------------|
| GCEN  | ACKSTAT | ACKDT <sup>(1)</sup> | ACKEN <sup>(2)</sup> | RCEN <sup>(2)</sup> | PEN <sup>(2)</sup> | RSEN <sup>(2)</sup> | SEN <sup>(2)</sup> |
| bit 7 |         |                      |                      |                     |                    |                     | bit 0              |

### Legend:

|                   |                  |                                    |
|-------------------|------------------|------------------------------------|
| R = Readable bit  | W = Writable bit | U = Unimplemented bit, read as '0' |
| -n = Value at POR | '1' = Bit is set | '0' = Bit is cleared               |
|                   |                  | x = Bit is unknown                 |

- bit 7      **GCEN:** General Call Enable bit  
Unused in Master mode.
- bit 6      **ACKSTAT:** Acknowledge Status bit (Master Transmit mode only)  
1 = Acknowledge was not received from slave  
0 = Acknowledge was received from slave
- bit 5      **ACKDT:** Acknowledge Data bit (Master Receive mode only)<sup>(1)</sup>  
1 = Not Acknowledge  
0 = Acknowledge
- bit 4      **ACKEN:** Acknowledge Sequence Enable bit<sup>(2)</sup>  
1 = Initiates Acknowledge sequence on SDAx and SCLx pins and transmits ACKDT data bit; automatically cleared by hardware  
0 = Acknowledge sequence is Idle
- bit 3      **RCEN:** Receive Enable bit (Master Receive mode only)<sup>(2)</sup>  
1 = Enables Receive mode for I<sup>2</sup>C  
0 = Receive is Idle
- bit 2      **PEN:** Stop Condition Enable bit<sup>(2)</sup>  
1 = Initiates Stop condition on SDAx and SCLx pins; automatically cleared by hardware  
0 = Stop condition is Idle
- bit 1      **RSEN:** Repeated Start Condition Enable bit<sup>(2)</sup>  
1 = Initiates Repeated Start condition on SDAx and SCLx pins; automatically cleared by hardware  
0 = Repeated Start condition is Idle
- bit 0      **SEN:** Start Condition Enable bit<sup>(2)</sup>  
1 = Initiates Start condition on SDAx and SCLx pins; automatically cleared by hardware  
0 = Start condition is Idle

- Note 1:** The value that will be transmitted when the user initiates an Acknowledge sequence at the end of a receive.
- Note 2:** If the I<sup>2</sup>C module is active, these bits may not be set (no spooling) and the SSPxBUF may not be written to (or writes to the SSPxBUF are disabled).

# PIC18F87K90 FAMILY

## REGISTER 21-6: SSPxCON2: MSSPx CONTROL REGISTER 2 (I<sup>2</sup>C™ SLAVE MODE)

|       |         |        |        |        |        |        |                    |
|-------|---------|--------|--------|--------|--------|--------|--------------------|
| R/W-0 | R/W-0   | R/W-0  | R/W-0  | R/W-0  | R/W-0  | R/W-0  | R/W-0              |
| GCEN  | ACKSTAT | ADMSK5 | ADMSK4 | ADMSK3 | ADMSK2 | ADMSK1 | SEN <sup>(1)</sup> |
| bit 7 |         |        |        |        |        |        | bit 0              |

### Legend:

R = Readable bit                      W = Writable bit                      U = Unimplemented bit, read as '0'  
 -n = Value at POR                      '1' = Bit is set                      '0' = Bit is cleared                      x = Bit is unknown

- bit 7            **GCEN:** General Call Enable bit  
                   1 = Enables interrupt when a general call address (0000h) is received in the SSPxSR  
                   0 = General call address is disabled
- bit 6            **ACKSTAT:** Acknowledge Status bit  
                   Unused in Slave mode.
- bit 5-2        **ADMSK<5:2>:** Slave Address Mask Select bits (5-Bit Address Masking mode)  
                   1 = Masking of corresponding bits of SSPxADD is enabled  
                   0 = Masking of corresponding bits of SSPxADD is disabled
- bit 1            **ADMSK1:** Slave Address Least Significant bit(s) Mask Select bit  
                   In 7-Bit Addressing mode:  
                   1 = Masking of SSPxADD<1> only is enabled  
                   0 = Masking of SSPxADD<1> only is disabled  
                   In 10-Bit Addressing mode:  
                   1 = Masking of SSPxADD<1:0> is enabled  
                   0 = Masking of SSPxADD<1:0> is disabled
- bit 0            **SEN:** Stretch Enable bit<sup>(1)</sup>  
                   1 = Clock stretching is enabled for both slave transmit and slave receive (stretch enabled)  
                   0 = Clock stretching is disabled

**Note 1:** If the I<sup>2</sup>C module is active, this bit may not be set (no spooling) and the SSPxBUF may not be written to (or writes to the SSPxBUF are disabled).

## REGISTER 21-7: SSPxMSK: I<sup>2</sup>C™ SLAVE ADDRESS MASK REGISTER (7-BIT MASKING MODE)<sup>(1)</sup>

|       |       |       |       |       |       |       |                     |
|-------|-------|-------|-------|-------|-------|-------|---------------------|
| R/W-1 | R/W-1 | R/W-1 | R/W-1 | R/W-1 | R/W-1 | R/W-1 | R/W-1               |
| MSK7  | MSK6  | MSK5  | MSK4  | MSK3  | MSK2  | MSK1  | MSK0 <sup>(2)</sup> |
| bit 7 |       |       |       |       |       |       | bit 0               |

### Legend:

R = Readable bit                      W = Writable bit                      U = Unimplemented bit, read as '0'  
 -n = Value at POR                      '1' = Bit is set                      '0' = Bit is cleared                      x = Bit is unknown

- bit 7-0        **MSK<7:0>:** Slave Address Mask Select bit  
                   1 = Masking of the corresponding bit of SSPxADD is enabled  
                   0 = Masking of the corresponding bit of SSPxADD is disabled

**Note 1:** This register shares the same SFR address as SSPxADD and is only addressable in select MSSPx operating modes. See [Section 21.4.3.4 “7-Bit Address Masking Mode”](#) for more details.

**2:** MSK0 is not used as a mask bit in 7-bit addressing.

# PIC18F87K90 FAMILY

## 21.4.2 OPERATION

The MSSP module functions are enabled by setting the MSSP Enable bit, SSPEN (SSPxCON1<5>).

The SSPxCON1 register allows control of the I<sup>2</sup>C operation. Four mode selection bits (SSPxCON1<3:0>) allow one of the following I<sup>2</sup>C modes to be selected:

- I<sup>2</sup>C Master mode, clock
- I<sup>2</sup>C Slave mode (7-bit address)
- I<sup>2</sup>C Slave mode (10-bit address)
- I<sup>2</sup>C Slave mode (7-bit address) with Start and Stop bit interrupts enabled
- I<sup>2</sup>C Slave mode (10-bit address) with Start and Stop bit interrupts enabled
- I<sup>2</sup>C Firmware Controlled Master mode, slave is Idle

Selection of any I<sup>2</sup>C mode with the SSPEN bit set forces the SCLx and SDAx pins to be open-drain, provided these pins are programmed as inputs by setting the appropriate TRISC or TRISD bits. To ensure proper operation of the module, pull-up resistors must be provided externally to the SCLx and SDAx pins.

## 21.4.3 SLAVE MODE

In Slave mode, the SCLx and SDAx pins must be configured as inputs (TRISC<4:3> set). The MSSP module will override the input state with the output data when required (slave-transmitter).

The I<sup>2</sup>C Slave mode hardware will always generate an interrupt on an address match. Address masking will allow the hardware to generate an interrupt for more than one address (up to 31 in 7-bit addressing and up to 63 in 10-bit addressing). Through the mode select bits, the user can also choose to interrupt on Start and Stop bits.

When an address is matched, or the data transfer after an address match is received, the hardware automatically will generate the Acknowledge (ACK) pulse and load the SSPxBUF register with the received value currently in the SSPxSR register.

Any combination of the following conditions will cause the MSSP module not to give this ACK pulse:

- The Buffer Full bit, BF (SSPxSTAT<0>), was set before the transfer was received.
- The overflow bit, SSPOV (SSPxCON1<6>), was set before the transfer was received.

In this case, the SSPxSR register value is not loaded into the SSPxBUF, but bit, SSPxIF, is set. The BF bit is cleared by reading the SSPxBUF register, while bit, SSPOV, is cleared through software.

The SCLx clock input must have a minimum high and low for proper operation. The high and low times of the I<sup>2</sup>C specification, as well as the requirement of the MSSP module, are shown in timing Parameter 100 and Parameter 101.

## 21.4.3.1 Addressing

Once the MSSP module has been enabled, it waits for a Start condition to occur. Following the Start condition, the 8 bits are shifted into the SSPxSR register. All incoming bits are sampled with the rising edge of the clock (SCLx) line. The value of register, SSPxSR<7:1>, is compared to the value of the SSPxADD register. The address is compared on the falling edge of the eighth clock (SCLx) pulse. If the addresses match and the BF and SSPOV bits are clear, the following events occur:

1. The SSPxSR register value is loaded into the SSPxBUF register.
2. The Buffer Full bit, BF, is set.
3. An  $\overline{\text{ACK}}$  pulse is generated.
4. The MSSP Interrupt Flag bit, SSPxIF, is set (and an interrupt is generated, if enabled) on the falling edge of the ninth SCLx pulse.

In 10-Bit Addressing mode, two address bytes need to be received by the slave. The five Most Significant bits (MSBs) of the first address byte specify if this is a 10-bit address. The  $\overline{\text{R}/\overline{\text{W}}}$  bit (SSPxSTAT<2>) must specify a write so the slave device will receive the second address byte. For a 10-bit address, the first byte would equal '11110 A9 A8 0', where 'A9' and 'A8' are the two MSBs of the address. The sequence of events for 10-bit addressing is as follows, with Steps, 7 through 9, for the slave-transmitter:

1. Receive first (high) byte of address (bits, SSPxIF, BF and UA, are set on address match).
2. Update the SSPxADD register with second (low) byte of address (clears bit, UA, and releases the SCLx line).
3. Read the SSPxBUF register (clears bit, BF) and clear flag bit, SSPxIF.
4. Receive second (low) byte of address (bits, SSPxIF, BF and UA, are set).
5. Update the SSPxADD register with the first (high) byte of address. If match releases the SCLx line, this will clear bit, UA.
6. Read the SSPxBUF register (clears bit, BF) and clear flag bit, SSPxIF.
7. Receive Repeated Start condition.
8. Receive first (high) byte of address (bits, SSPxIF and BF, are set).
9. Read the SSPxBUF register (clears bit, BF) and clear flag bit, SSPxIF.

## 21.4.3.2 Address Masking Modes

Masking an address bit causes that bit to become a “don’t care”. When one address bit is masked, two addresses will be Acknowledged and cause an interrupt. It is possible to mask more than one address bit at a time, which greatly expands the number of addresses Acknowledged.

The I<sup>2</sup>C slave behaves the same way whether address masking is used or not. However, when address masking is used, the I<sup>2</sup>C slave can Acknowledge multiple addresses and cause interrupts. When this occurs, it is necessary to determine which address caused the interrupt by checking the SSPxBUF.

The PIC18F87K90 family of devices is capable of using two different Address Masking modes in I<sup>2</sup>C slave operation: 5-Bit Address Masking and 7-Bit Address Masking. The Masking mode is selected at device configuration using the MSSPMSK Configuration bit. The default device configuration is 7-Bit Address Masking.

Both Masking modes, in turn, support address masking of 7-bit and 10-bit addresses. The combination of Masking modes and addresses provide different ranges of Acknowledgable addresses for each combination.

While both Masking modes function in roughly the same manner, the way they use address masks are different.

### 21.4.3.3 5-Bit Address Masking Mode

As the name implies, 5-Bit Address Masking mode uses an address mask of up to 5 bits to create a range of addresses to be Acknowledged, using bits, 5 through 1, of the incoming address. This allows the module to

Acknowledge up to 31 addresses when using 7-bit addressing, or 63 addresses with 10-bit addressing (see [Example 21-2](#)). This Masking mode is selected when the MSSPMSK Configuration bit is programmed (‘0’).

The address mask in this mode is stored in the SSPxCON2 register, which stops functioning as a control register in I<sup>2</sup>C Slave mode ([Register 21-6](#)). In 7-Bit Address Masking mode, address mask bits, ADMSK<5:1> (SSPxCON2<5:1>), mask the corresponding address bits in the SSPxADD register. For any ADMSK bits that are set (ADMSK<n> = 1), the corresponding address bit is ignored (SSPxADD<n> = x). For the module to issue an address Acknowledge, it is sufficient to match only on addresses that do not have an active address mask.

In 10-Bit Address Masking mode, bits, ADMSK<5:2>, mask the corresponding address bits in the SSPxADD register. In addition, ADMSK1 simultaneously masks the two LSbs of the address (SSPxADD<1:0>). For any ADMSK bits that are active (ADMSK<n> = 1), the corresponding address bit is ignored (SPxADD<n> = x). Also note, that although in 10-Bit Address Masking mode, the upper address bits reuse part of the SSPxADD register bits. The address mask bits do not interact with those bits; they only affect the lower address bits.

**Note 1:** ADMSK1 masks the two Least Significant bits of the address.

**2:** The two Most Significant bits of the address are not affected by address masking.

## EXAMPLE 21-2: ADDRESS MASKING EXAMPLES IN 5-BIT MASKING MODE

### 7-Bit Addressing:

SSPxADD<7:1> = A0h (1010000) (SSPxADD<0> is assumed to be ‘0’)

ADMSK<5:1> = 00111

Addresses Acknowledged: A0h, A2h, A4h, A6h, A8h, AAh, ACh, AEh

### 10-Bit Addressing:

SSPxADD<7:0> = A0h (10100000) (The two MSb of the address are ignored in this example, since they are not affected by masking)

ADMSK<5:1> = 00111

Addresses Acknowledged: A0h, A1h, A2h, A3h, A4h, A5h, A6h, A7h, A8h, A9h, AAh, ABh, ACh, ADh, AEh, AFh

# PIC18F87K90 FAMILY

## 21.4.3.4 7-Bit Address Masking Mode

Unlike 5-bit masking, 7-Bit Address Masking mode uses a mask of up to 8 bits (in 10-bit addressing) to define a range of addresses that can be Acknowledged, using the lowest bits of the incoming address. This allows the module to Acknowledge up to 127 different addresses with 7-bit addressing, or 255 with 10-bit addressing (see [Example 21-3](#)). This mode is the default configuration of the module and is selected when MSSPMSK is unprogrammed ('1').

The address mask for 7-Bit Address Masking mode is stored in the SSPxMSK register, instead of the SSPxCON2 register. SSPxMSK is a separate hardware register within the module, but it is not directly addressable. Instead, it shares an address in the SFR space with the SSPxADD register. To access the SSPxMSK register, it is necessary to select MSSP mode, '1001' (SSPxCON1<3:0> = 1001) and then read or write to the location of SSPxADD.

To use 7-Bit Address Masking mode, it is necessary to initialize SSPxMSK with a value before selecting the I<sup>2</sup>C Slave Addressing mode. Thus, the required sequence of events is:

1. Select SSPxMSK Access mode (SSPxCON2<3:0> = 1001).
2. Write the mask value to the appropriate SSPxADD register address (FC8h for MSSP1, F6Eh for MSSP2).
3. Set the appropriate I<sup>2</sup>C Slave mode (SSPxCON2<3:0> = 0111 for 10-bit addressing, '0110' for 7-bit addressing).

Setting or clearing mask bits in SSPxMSK behaves in the opposite manner of the ADMSK bits in 5-Bit Address Masking mode. That is, clearing a bit in SSPxMSK causes the corresponding address bit to be masked; setting the bit requires a match in that position. SSPxMSK resets to all '1's upon any Reset condition and, therefore, has no effect on the standard MSSP operation until written with a mask value.

With 7-bit addressing, SSPxMSK<7:1> bits mask the corresponding address bits in the SSPxADD register. For any SSPxMSK bits that are active (SSPxMSK<n> = 0), the corresponding SSPxADD address bit is ignored (SSPxADD<n> = x). For the module to issue an address Acknowledge, it is sufficient to match only on addresses that do not have an active address mask.

With 10-bit addressing, SSPxMSK<7:0> bits mask the corresponding address bits in the SSPxADD register. For any SSPxMSK bits that are active (= 0), the corresponding SSPxADD address bit is ignored (SSPxADD<n> = x).

**Note:** The two Most Significant bits of the address are not affected by address masking.

### EXAMPLE 21-3: ADDRESS MASKING EXAMPLES IN 7-BIT MASKING MODE

#### 7-Bit Addressing:

SSPxADD<7:1> = 1010 000

SSPxMSK<7:1> = 1111 001

Addresses Acknowledged = ACh, A8h, A4h, A0h

#### 10-Bit Addressing:

SSPxADD<7:0> = 1010 0000

SSPxMSK<7:0> = 1111 0011

Addresses Acknowledged = ACh, A8h, A4h, A0h



## 21.4.3.5 Reception

When the  $\overline{R/W}$  bit of the address byte is clear and an address match occurs, the  $\overline{R/W}$  bit of the SSPxSTAT register is cleared. The received address is loaded into the SSPxBUF register and the SDAx line is held low ( $\overline{ACK}$ ).

When the address byte overflow condition exists, then the no Acknowledge ( $\overline{ACK}$ ) pulse is given. An overflow condition is defined as either bit, BF (SSPxSTAT<0>), is set or bit, SSPOV (SSPxCON1<6>), is set.

An MSSP interrupt is generated for each data transfer byte. The interrupt flag bit, SSPxIF, must be cleared in software. The SSPxSTAT register is used to determine the status of the byte.

If SEN is enabled (SSPxCON2<0> = 1), SCLx will be held low (clock stretch) following each data transfer. The clock must be released by setting bit, CKP (SSPxCON1<4>). See [Section 21.4.4 “Clock Stretching”](#) for more details.

## 21.4.3.6 Transmission

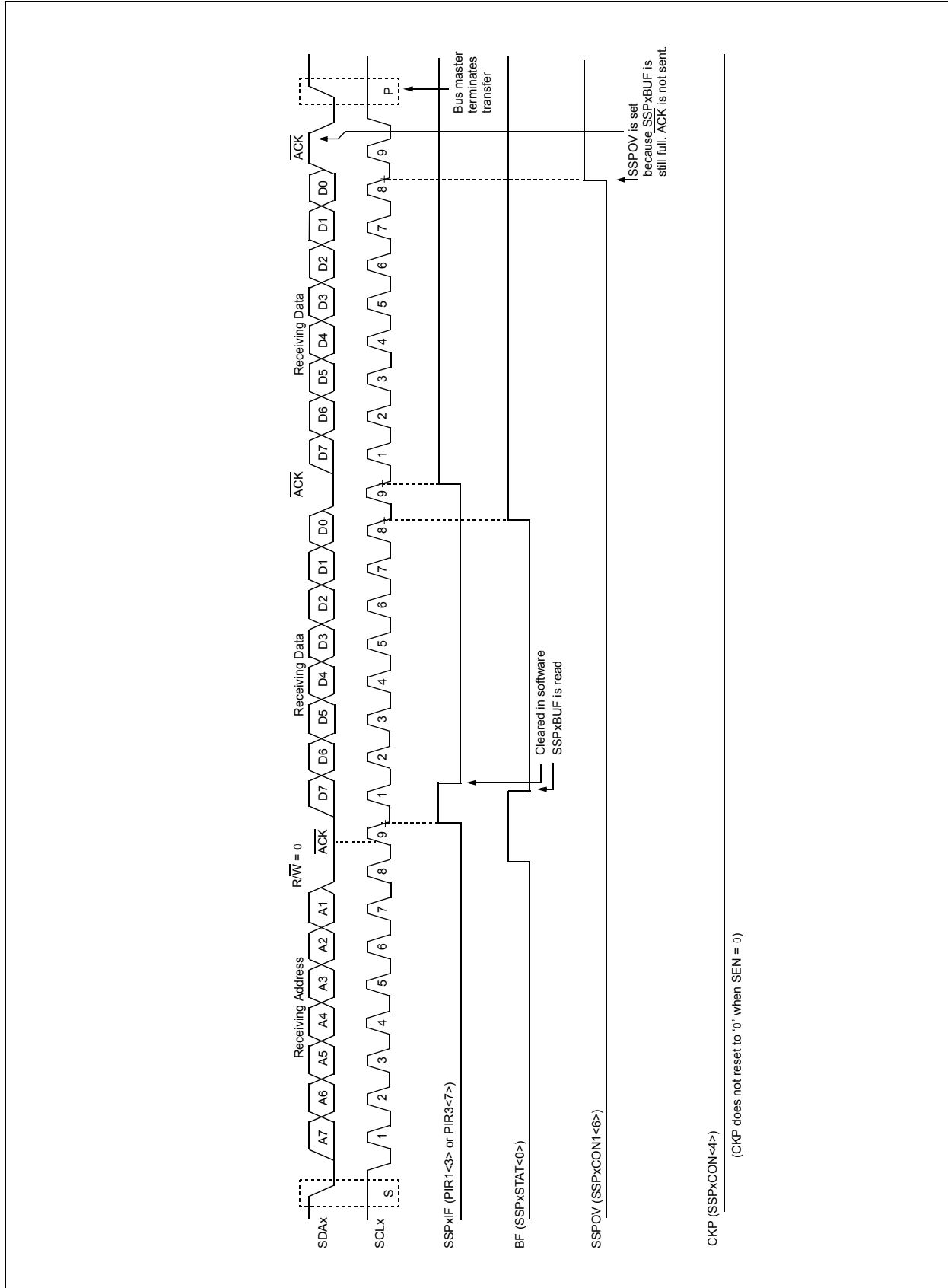
When the  $\overline{R/W}$  bit of the incoming address byte is set and an address match occurs, the  $\overline{R/W}$  bit of the SSPxSTAT register is set. The received address is loaded into the SSPxBUF register. The  $\overline{ACK}$  pulse will be sent on the ninth bit and pin, SCLx, is held low regardless of SEN (see [Section 21.4.4 “Clock Stretching”](#) for more details). By stretching the clock, the master will be unable to assert another clock pulse until the slave is done preparing the transmit data. The transmit data must be loaded into the SSPxBUF register which also loads the SSPxSR register. Then, pin, SCLx, should be enabled by setting bit, CKP (SSPxCON1<4>). The eight data bits are shifted out on the falling edge of the SCLx input. This ensures that the SDAx signal is valid during the SCLx high time ([Figure 21-10](#)).

The  $\overline{ACK}$  pulse from the master-receiver is latched on the rising edge of the ninth SCLx input pulse. If the SDAx line is high (not  $\overline{ACK}$ ), then the data transfer is complete. In this case, when the  $\overline{ACK}$  is latched by the slave, the slave logic is reset and the slave monitors for another occurrence of the Start bit. If the SDAx line was low ( $\overline{ACK}$ ), the next transmit data must be loaded into the SSPxBUF register. Again, pin, SCLx, must be enabled by setting bit, CKP.

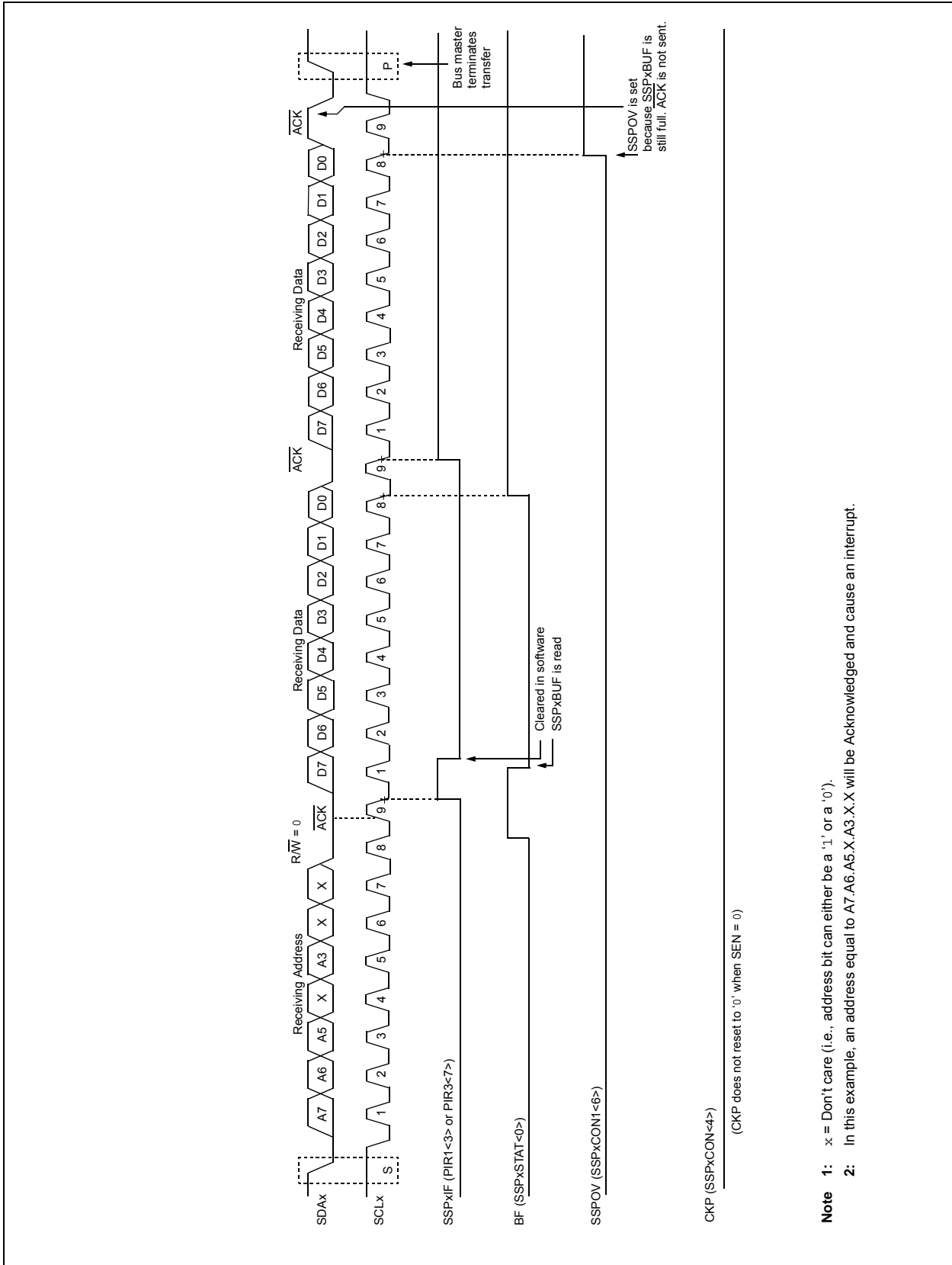
An MSSP interrupt is generated for each data transfer byte. The SSPxIF bit must be cleared in software and the SSPxSTAT register is used to determine the status of the byte. The SSPxIF bit is set on the falling edge of the ninth clock pulse.

# PIC18F87K90 FAMILY

FIGURE 21-8: I<sup>2</sup>C™ SLAVE MODE TIMING WITH SEN = 0 (RECEPTION, 7-BIT ADDRESS)

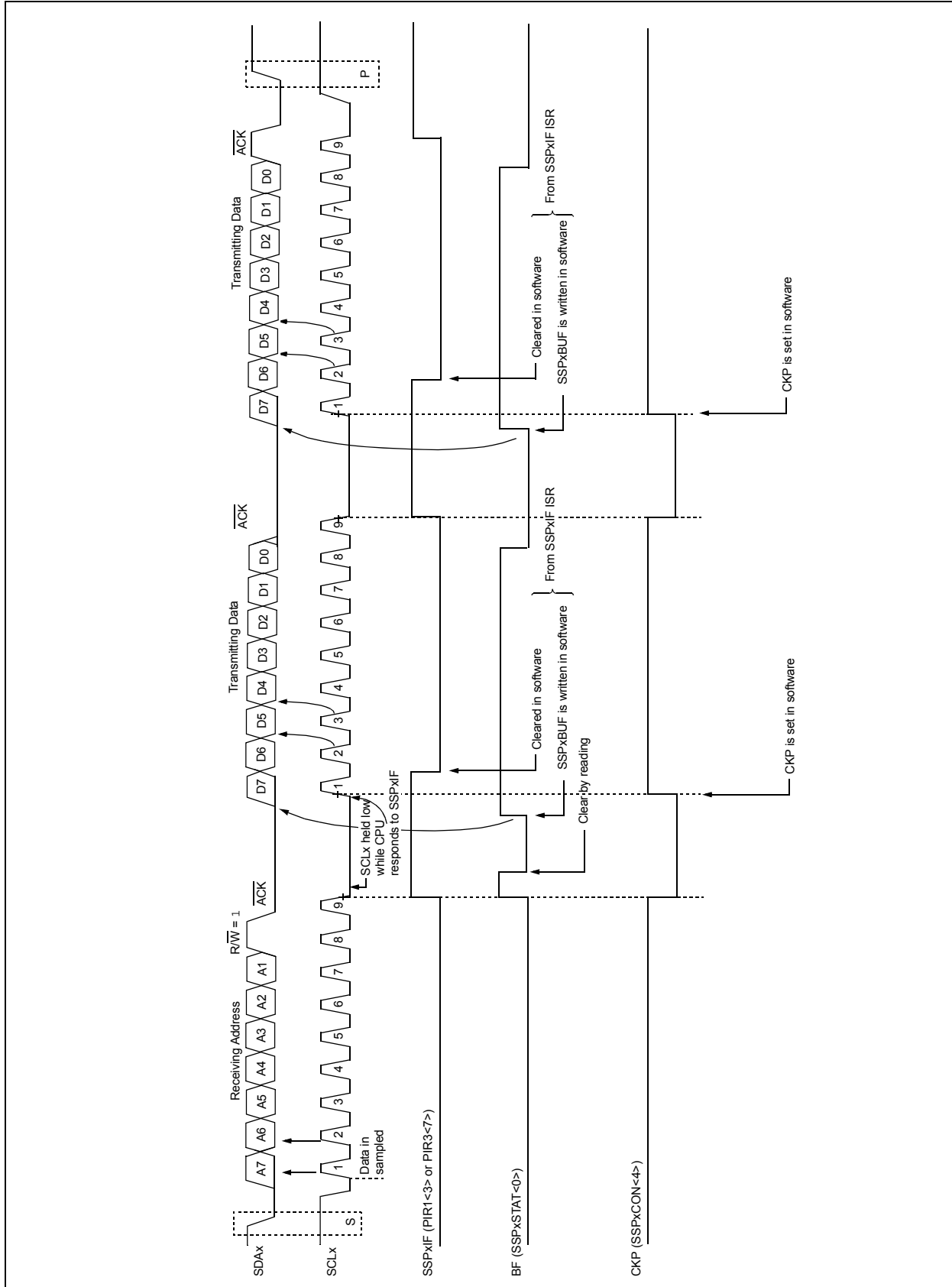


**FIGURE 21-9: I<sup>2</sup>C™ SLAVE MODE TIMING WITH SEN = 0 AND ADMSK<5:1> = 01011 (RECEPTION, 7-BIT ADDRESS)**

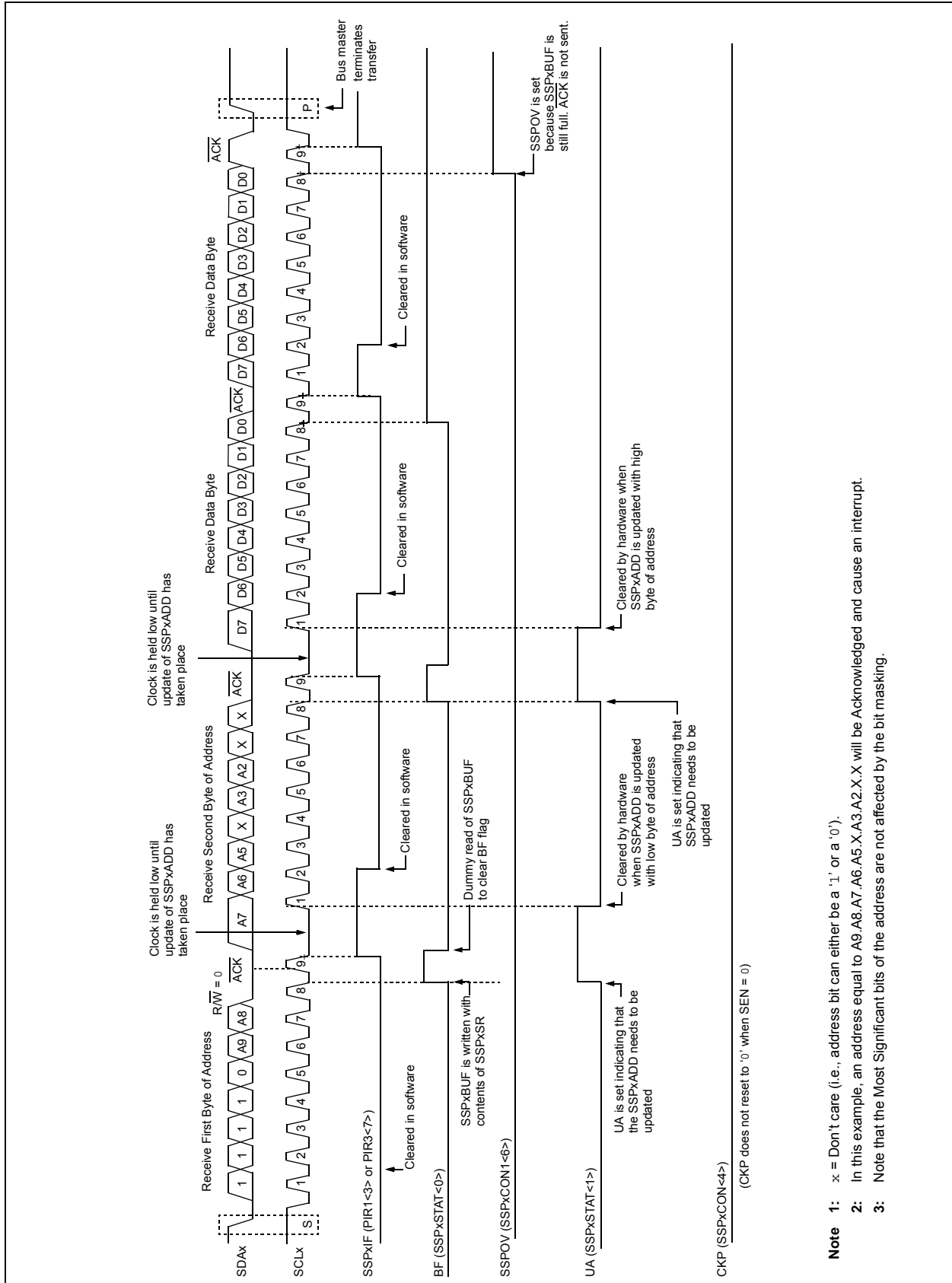


# PIC18F87K90 FAMILY

FIGURE 21-10: I<sup>2</sup>C™ SLAVE MODE TIMING (TRANSMISSION, 7-BIT ADDRESS)



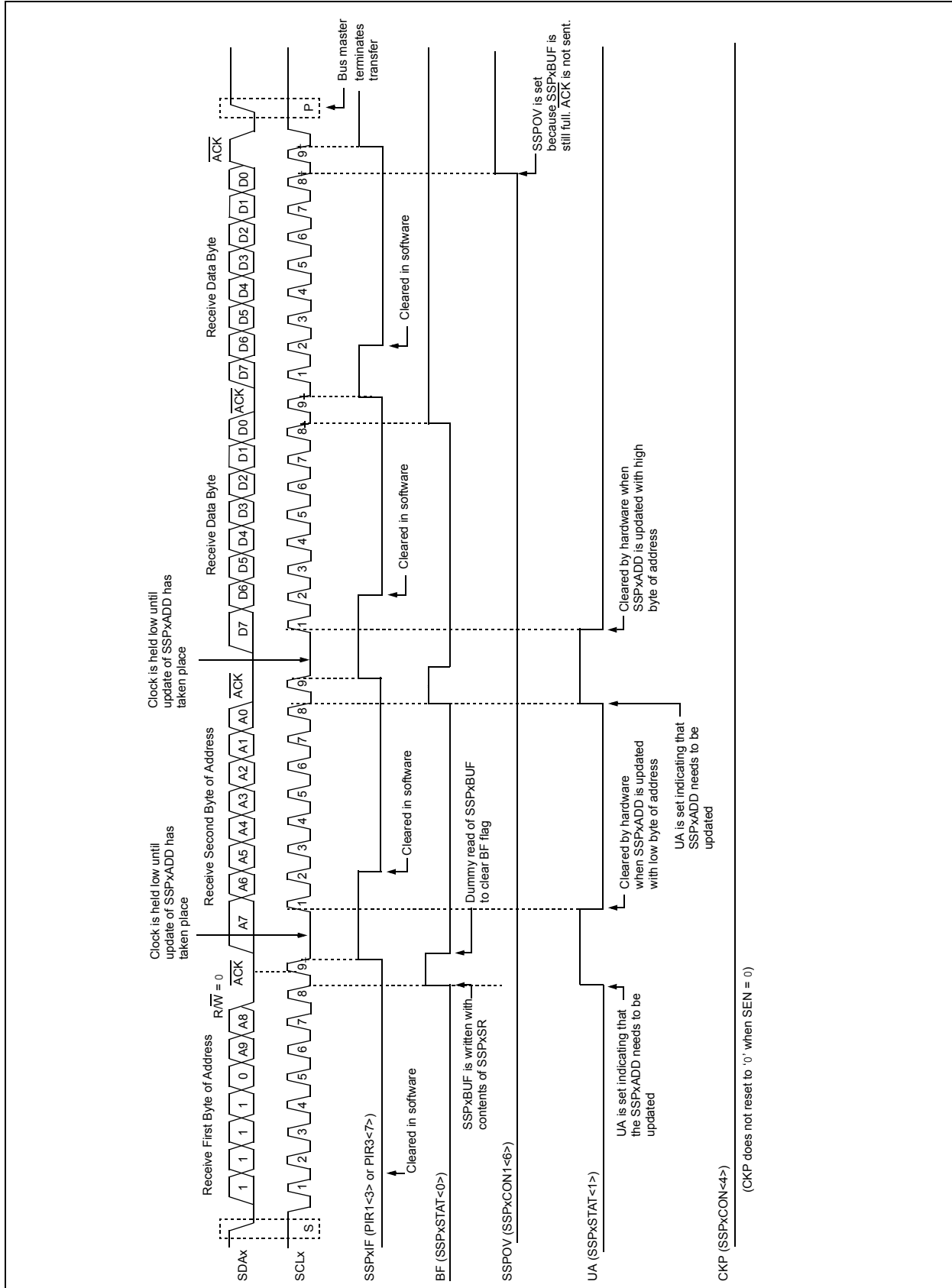
**FIGURE 21-11: I<sup>2</sup>C™ SLAVE MODE TIMING WITH SEN = 0 AND ADMSK<5:1> = 01001 (RECEPTION, 10-BIT ADDRESS)**



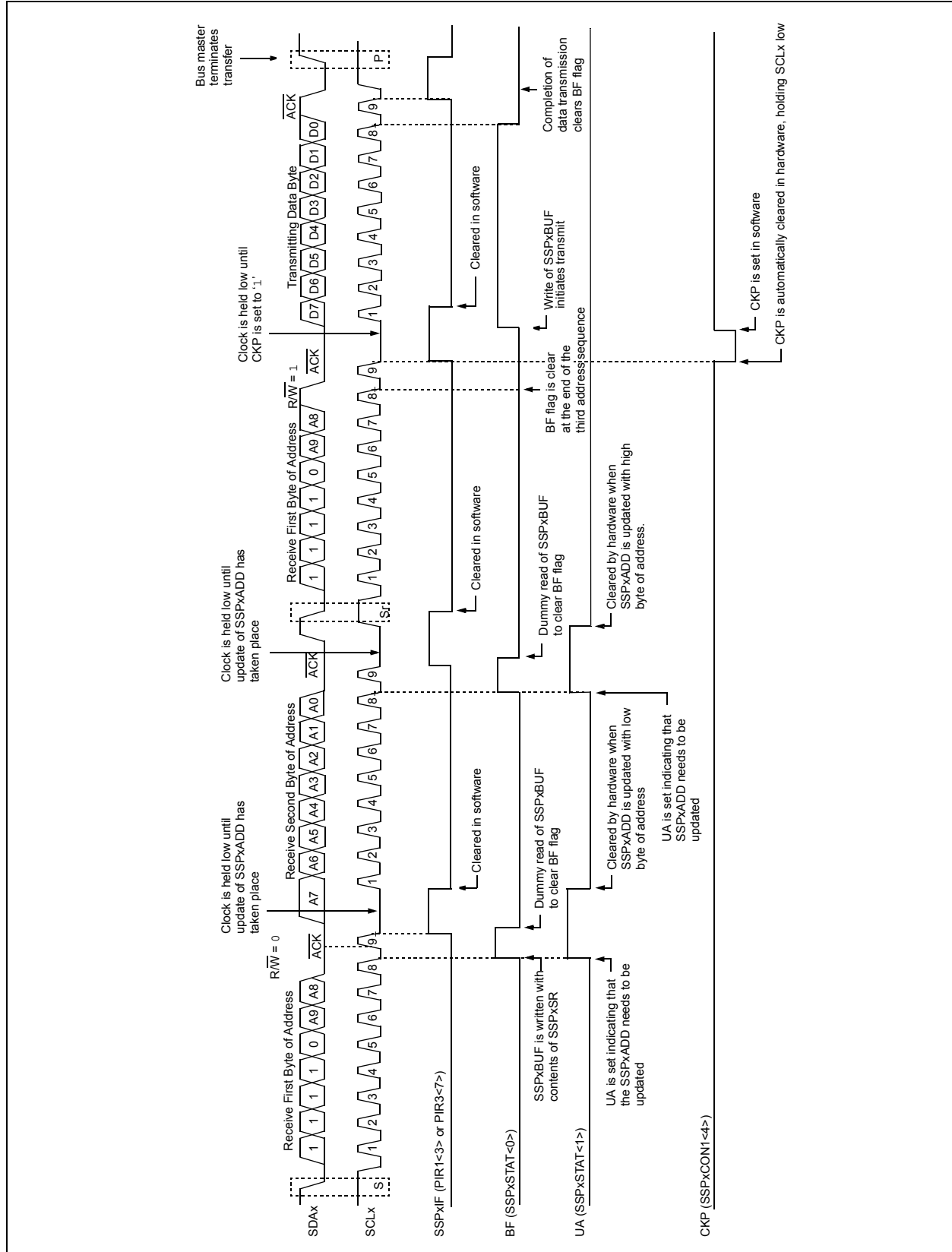
- Note 1:** x = Don't care (i.e., address bit can either be a '1' or a '0').
- Note 2:** In this example, an address equal to A9.A8.A7.A6.A5.X.A3.A2.X.X will be Acknowledged and cause an interrupt.
- Note 3:** Note that the Most Significant bits of the address are not affected by the bit masking.

# PIC18F87K90 FAMILY

FIGURE 21-12: I<sup>2</sup>C™ SLAVE MODE TIMING WITH SEN = 0 (RECEPTION, 10-BIT ADDRESS)



**FIGURE 21-13: I<sup>2</sup>C™ SLAVE MODE TIMING (TRANSMISSION, 10-BIT ADDRESS)**



# PIC18F87K90 FAMILY

## 21.4.4 CLOCK STRETCHING

Both 7-Bit and 10-Bit Slave modes implement automatic clock stretching during a transmit sequence.

The SEN bit (SSPxCON2<0>) allows clock stretching to be enabled during receives. Setting SEN will cause the SCLx pin to be held low at the end of each data receive sequence.

### 21.4.4.1 Clock Stretching for 7-Bit Slave Receive Mode (SEN = 1)

In 7-Bit Slave Receive mode, on the falling edge of the ninth clock at the end of the ACK sequence, if the BF bit is set, the CKP bit in the SSPxCON1 register is automatically cleared, forcing the SCLx output to be held low. The CKP bit being cleared to '0' will assert the SCLx line low. The CKP bit must be set in the user's ISR before reception is allowed to continue. By holding the SCLx line low, the user has time to service the ISR and read the contents of the SSPxBUF before the master device can initiate another receive sequence. This will prevent buffer overruns from occurring (see [Figure 21-15](#)).

**Note 1:** If the user reads the contents of the SSPxBUF before the falling edge of the ninth clock, thus clearing the BF bit, the CKP bit will not be cleared and clock stretching will not occur.

**2:** The CKP bit can be set in software regardless of the state of the BF bit. The user should be careful to clear the BF bit in the ISR before the next receive sequence in order to prevent an overflow condition.

### 21.4.4.2 Clock Stretching for 10-Bit Slave Receive Mode (SEN = 1)

In 10-Bit Slave Receive mode, during the address sequence, clock stretching automatically takes place but CKP is not cleared. During this time, if the UA bit is set after the ninth clock, clock stretching is initiated. The UA bit is set after receiving the upper byte of the 10-bit address and following the receive of the second byte of the 10-bit address with the R/W bit cleared to '0'. The release of the clock line occurs upon updating SSPxADD. Clock stretching will occur on each data receive sequence as described in 7-bit mode.

**Note:** If the user polls the UA bit and clears it by updating the SSPxADD register before the falling edge of the ninth clock occurs, and if the user hasn't cleared the BF bit by reading the SSPxBUF register before that time, then the CKP bit will still NOT be asserted low. Clock stretching on the basis of the state of the BF bit only occurs during a data sequence, not an address sequence.

### 21.4.4.3 Clock Stretching for 7-Bit Slave Transmit Mode

The 7-Bit Slave Transmit mode implements clock stretching by clearing the CKP bit after the falling edge of the ninth clock if the BF bit is clear. This occurs regardless of the state of the SEN bit.

The user's ISR must set the CKP bit before transmission is allowed to continue. By holding the SCLx line low, the user has time to service the ISR and load the contents of the SSPxBUF before the master device can initiate another transmit sequence (see [Figure 21-10](#)).

**Note 1:** If the user loads the contents of SSPxBUF, setting the BF bit before the falling edge of the ninth clock, the CKP bit will not be cleared and clock stretching will not occur.

**2:** The CKP bit can be set in software regardless of the state of the BF bit.

### 21.4.4.4 Clock Stretching for 10-Bit Slave Transmit Mode

In 10-Bit Slave Transmit mode, clock stretching is controlled during the first two address sequences by the state of the UA bit, just as it is in 10-Bit Slave Receive mode. The first two addresses are followed by a third address sequence, which contains the high-order bits of the 10-bit address and the R/W bit set to '1'. After the third address sequence is performed, the UA bit is not set, the module is now configured in Transmit mode and clock stretching is controlled by the BF flag as in 7-Bit Slave Transmit mode (see [Figure 21-13](#)).

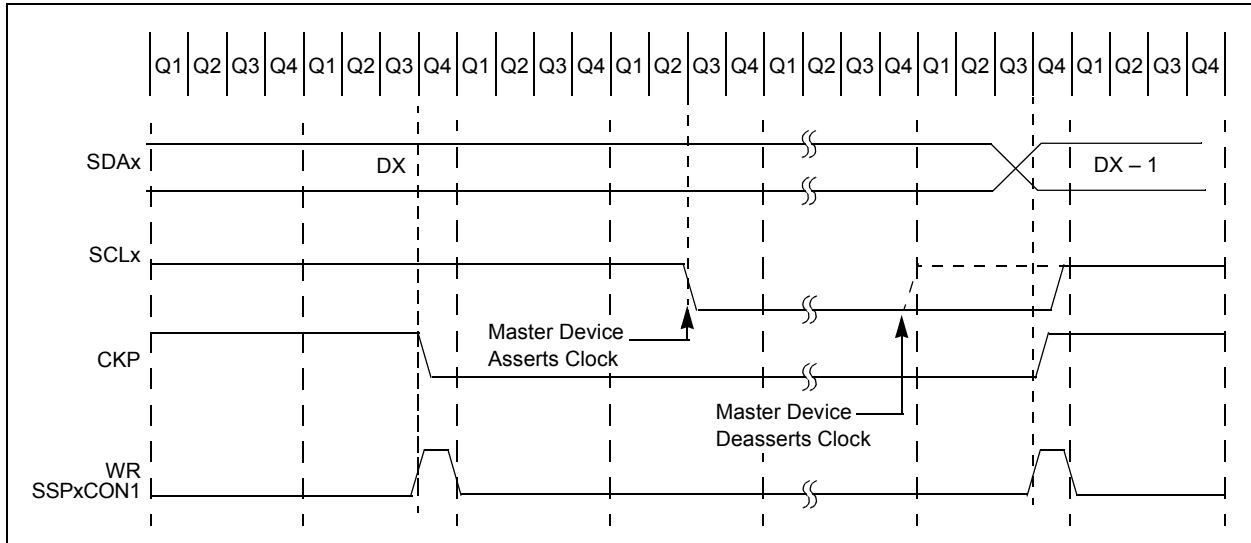


## 21.4.4.5 Clock Synchronization and the CKP bit

When the CKP bit is cleared, the SCLx output is forced to '0'. However, clearing the CKP bit will not assert the SCLx output low until the SCLx output is already sampled low. Therefore, the CKP bit will not assert the SCLx line until an external I<sup>2</sup>C master device has

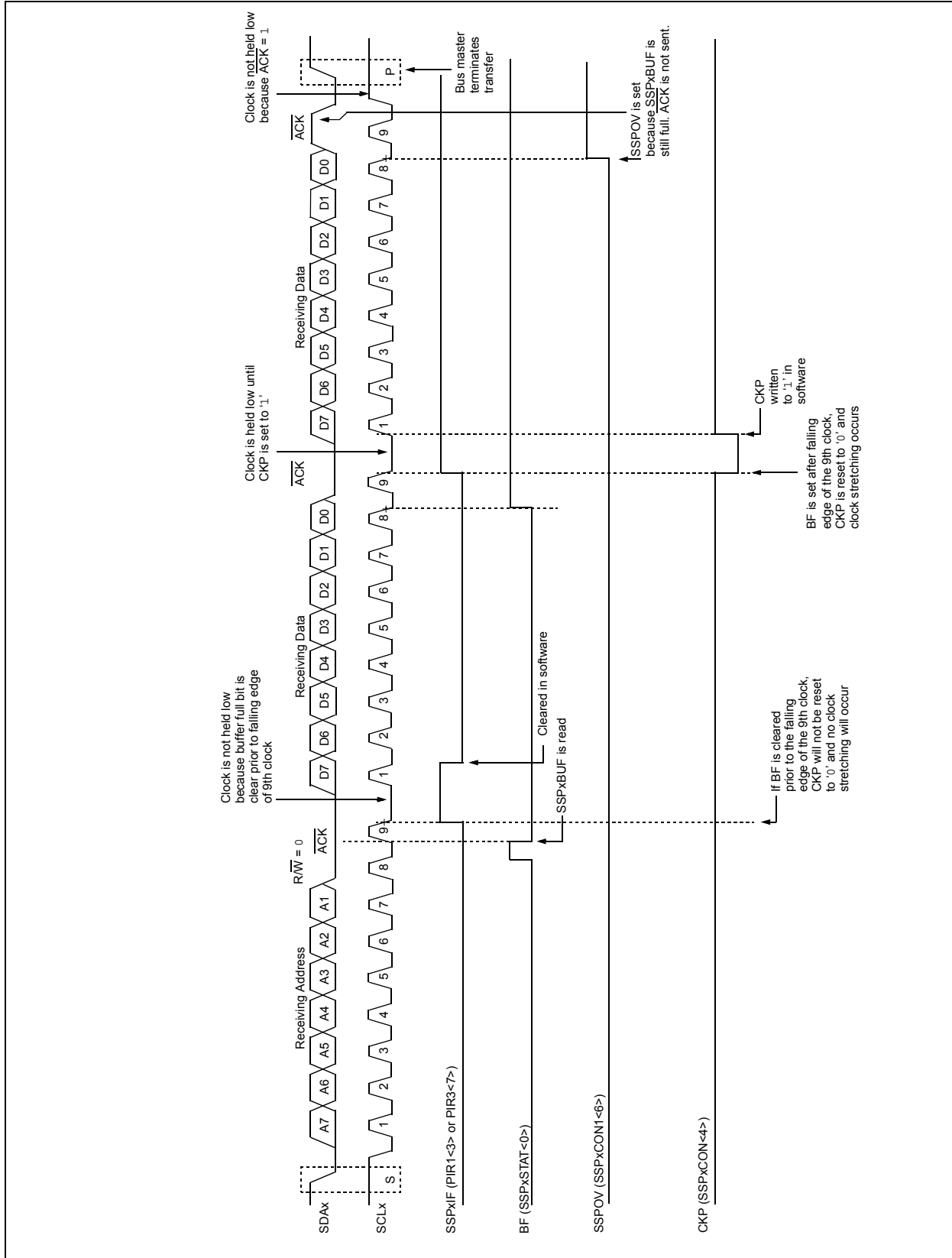
already asserted the SCLx line. The SCLx output will remain low until the CKP bit is set and all other devices on the I<sup>2</sup>C bus have deasserted SCLx. This ensures that a write to the CKP bit will not violate the minimum high time requirement for SCLx (see [Figure 21-14](#)).

**FIGURE 21-14: CLOCK SYNCHRONIZATION TIMING**

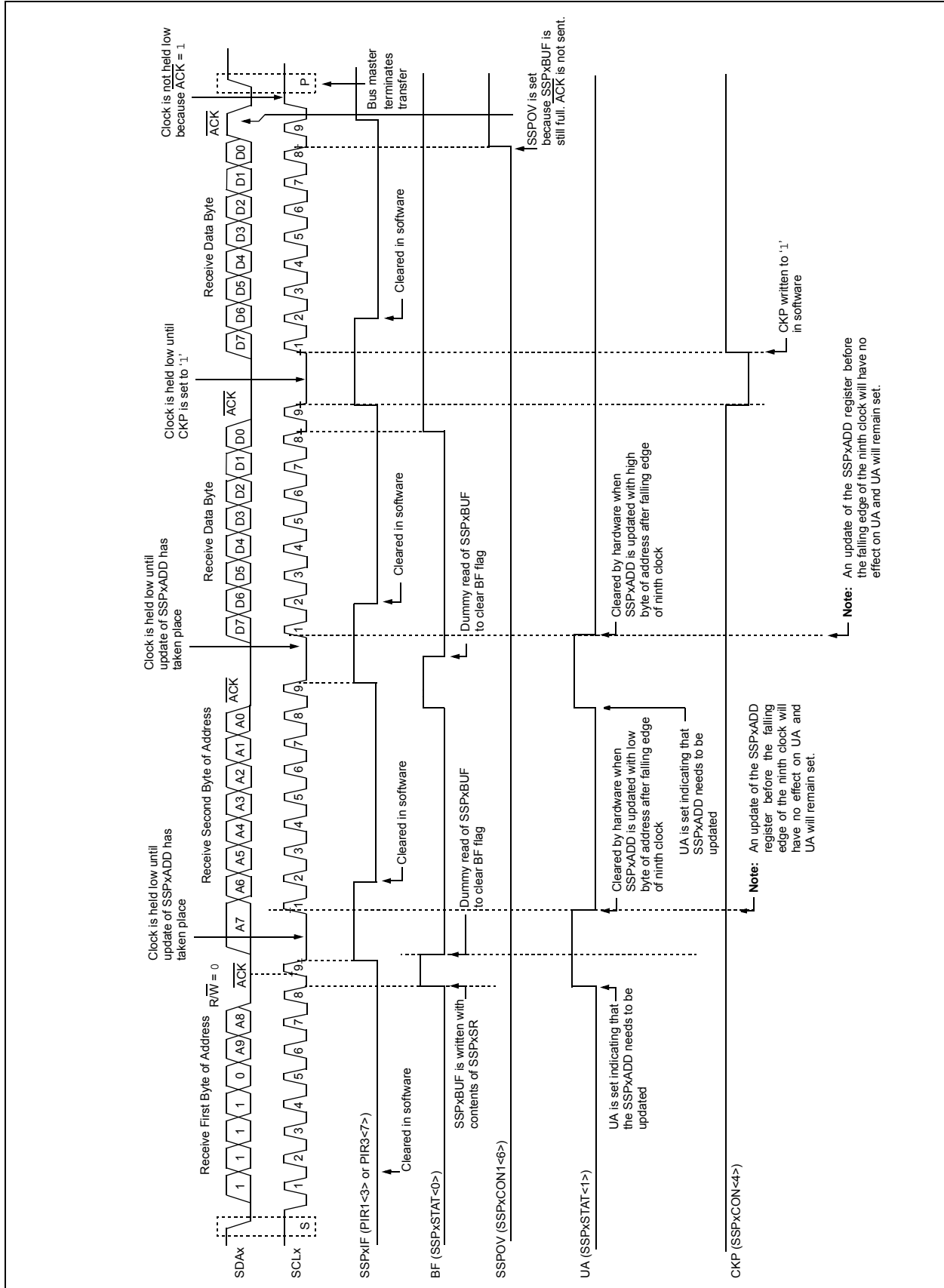


# PIC18F87K90 FAMILY

FIGURE 21-15: I<sup>2</sup>C™ SLAVE MODE TIMING WITH SEN = 1 (RECEPTION, 7-BIT ADDRESS)



**FIGURE 21-16: I<sup>2</sup>C™ SLAVE MODE TIMING WITH SEN = 1 (RECEPTION, 10-BIT ADDRESS)**



# PIC18F87K90 FAMILY

## 21.4.5 GENERAL CALL ADDRESS SUPPORT

The addressing procedure for the I<sup>2</sup>C bus is such that the first byte after the Start condition usually determines which device will be the slave addressed by the master. The exception is the general call address which can address all devices. When this address is used, all devices should, in theory, respond with an Acknowledge.

The general call address is one of eight addresses reserved for specific purposes by the I<sup>2</sup>C protocol. It consists of all '0's with R/W = 0.

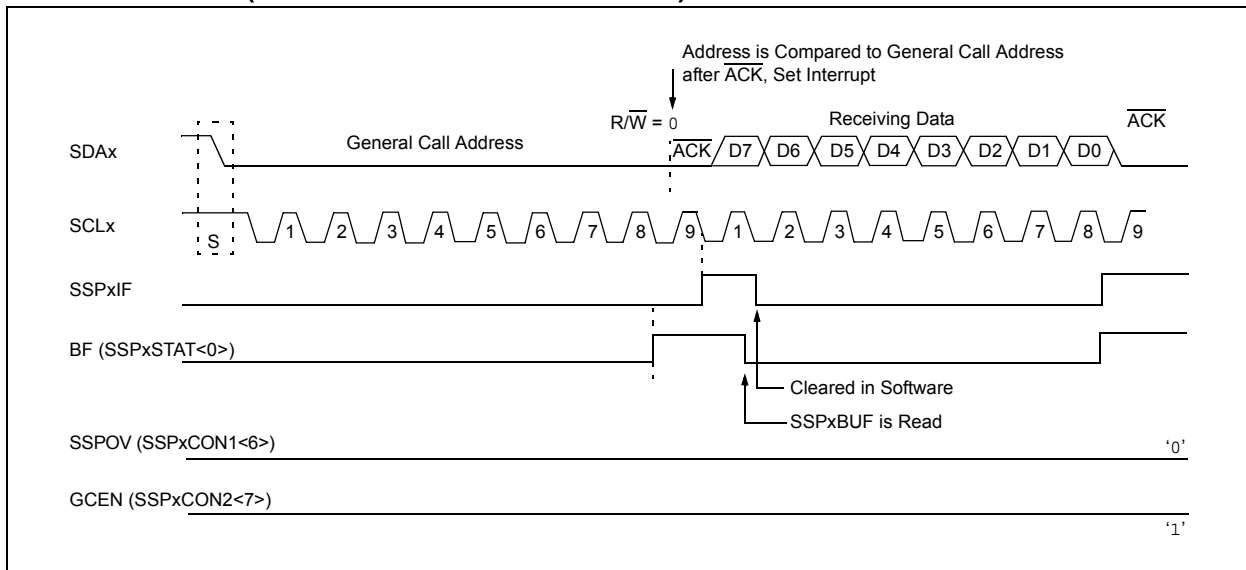
The general call address is recognized when the General Call Enable bit, GCEN, is enabled (SSPxCON2<7> set). Following a Start bit detect, 8 bits are shifted into the SSPxSR and the address is compared against the SSPxADD. It is also compared to the general call address and fixed in hardware.

If the general call address matches, the SSPxSR is transferred to the SSPxBUF, the BF flag bit is set (eighth bit), and on the falling edge of the ninth bit ( $\overline{ACK}$  bit), the SSPxIF interrupt flag bit is set.

When the interrupt is serviced, the source for the interrupt can be checked by reading the contents of the SSPxBUF. The value can be used to determine if the address was device-specific or a general call address.

In 10-Bit Addressing mode, the SSPxADD is required to be updated for the second half of the address to match and the UA bit is set (SSPxSTAT<1>). If the general call address is sampled when the GCEN bit is set, while the slave is configured in 10-Bit Addressing mode, then the second half of the address is not necessary, the UA bit will not be set and the slave will begin receiving data after the Acknowledge (Figure 21-17).

**FIGURE 21-17: SLAVE MODE GENERAL CALL ADDRESS SEQUENCE (7 OR 10-BIT ADDRESSING MODE)**



# PIC18F87K90 FAMILY

## 21.4.6 MASTER MODE

Master mode is enabled by setting and clearing the appropriate SSPM bits in SSPxCON1 and by setting the SSPEN bit. In Master mode, the SCLx and SDAx lines are manipulated by the MSSP hardware if the TRIS bits are set.

Master mode of operation is supported by interrupt generation on the detection of the Start and Stop conditions. The Stop (P) and Start (S) bits are cleared from a Reset or when the MSSP module is disabled. Control of the I<sup>2</sup>C bus may be taken when the P bit is set, or the bus is Idle, with both the S and P bits clear.

In Firmware Controlled Master mode, user code conducts all I<sup>2</sup>C bus operations based on Start and Stop bit conditions.

Once Master mode is enabled, the user has six options.

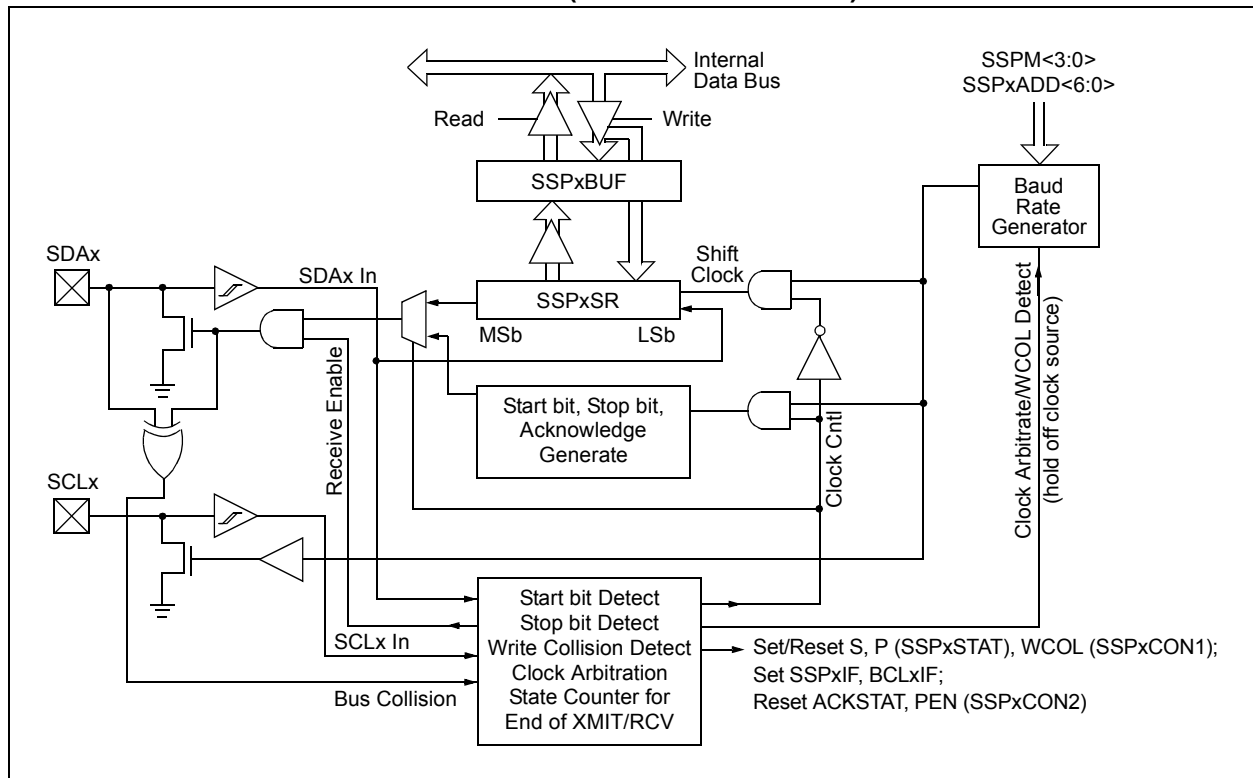
1. Assert a Start condition on SDAx and SCLx.
2. Assert a Repeated Start condition on SDAx and SCLx.
3. Write to the SSPxBUF register, initiating transmission of data/address.
4. Configure the I<sup>2</sup>C port to receive data.
5. Generate an Acknowledge condition at the end of a received byte of data.
6. Generate a Stop condition on SDAx and SCLx.

**Note:** The MSSPx module, when configured in I<sup>2</sup>C Master mode, does not allow queueing of events. For instance, the user is not allowed to initiate a Start condition and immediately write the SSPxBUF register to initiate transmission before the Start condition is complete. In this case, the SSPxBUF will not be written to and the WCOL bit will be set, indicating that a write to the SSPxBUF did not occur.

The following events will cause the MSSPx Interrupt Flag bit, SSPxIF, to be set (and MSSP interrupt, if enabled):

- Start condition
- Stop condition
- Data transfer byte transmitted/received
- Acknowledge transmitted
- Repeated Start

**FIGURE 21-18: MSSP BLOCK DIAGRAM (I<sup>2</sup>C™ MASTER MODE)**



# PIC18F87K90 FAMILY

---

## 21.4.6.1 I<sup>2</sup>C Master Mode Operation

The master device generates all of the serial clock pulses and the Start and Stop conditions. A transfer is ended with a Stop condition or with a Repeated Start condition. Since the Repeated Start condition is also the beginning of the next serial transfer, the I<sup>2</sup>C bus will not be released.

In Master Transmitter mode, serial data is output through SDAx while SCLx outputs the serial clock. The first byte transmitted contains the slave address of the receiving device (7 bits) and the Read/Write (R/W) bit. In this case, the R/W bit will be logic '0'. Serial data is transmitted, 8 bits at a time. After each byte is transmitted, an Acknowledge bit is received. Start and Stop conditions are output to indicate the beginning and the end of a serial transfer.

In Master Receive mode, the first byte transmitted contains the slave address of the transmitting device (7 bits) and the R/W bit. In this case, the R/W bit will be logic '1'. Thus, the first byte transmitted is a 7-bit slave address, followed by a '1' to indicate the receive bit. Serial data is received via SDAx, while SCLx outputs the serial clock. Serial data is received, 8 bits at a time. After each byte is received, an Acknowledge bit is transmitted. Start and Stop conditions indicate the beginning and end of transmission.

The Baud Rate Generator, used for the SPI mode operation, is used to set the SCLx clock frequency for either 100 kHz, 400 kHz or 1 MHz I<sup>2</sup>C operation. See [Section 21.4.7 "Baud Rate"](#) for more details.

A typical transmit sequence would go as follows:

1. The user generates a Start condition by setting the Start Enable bit, SEN (SSPxCON2<0>).
2. SSPxIF is set. The MSSPx module will wait the required start time before any other operation takes place.
3. The user loads the SSPxBUF with the slave address to transmit.
4. Address is shifted out the SDAx pin until all 8 bits are transmitted.
5. The MSSPx module shifts in the ACK bit from the slave device and writes its value into the SSPxCON2 register (SSPxCON2<6>).
6. The MSSPx module generates an interrupt at the end of the ninth clock cycle by setting the SSPxIF bit.
7. The user loads the SSPxBUF with 8 bits of data.
8. Data is shifted out the SDAx pin until all 8 bits are transmitted.
9. The MSSPx module shifts in the ACK bit from the slave device and writes its value into the SSPxCON2 register (SSPxCON2<6>).
10. The MSSPx module generates an interrupt at the end of the ninth clock cycle by setting the SSPxIF bit.
11. The user generates a Stop condition by setting the Stop Enable bit, PEN (SSPxCON2<2>).
12. An interrupt is generated once the Stop condition is complete.

# PIC18F87K90 FAMILY

## 21.4.7 BAUD RATE

In I<sup>2</sup>C Master mode, the Baud Rate Generator (BRG) reload value is placed in the lower 7 bits of the SSPxADD register (Figure 21-19). When a write occurs to SSPxBUF, the Baud Rate Generator will automatically begin counting. The BRG counts down to 0 and stops until another reload has taken place. The BRG count is decremented twice per instruction cycle (Tcy) on the Q2 and Q4 clocks. In I<sup>2</sup>C Master mode, the BRG is reloaded automatically.

Once the given operation is complete (i.e., transmission of the last data bit is followed by ACK), the internal clock will automatically stop counting and the SCLx pin will remain in its last state.

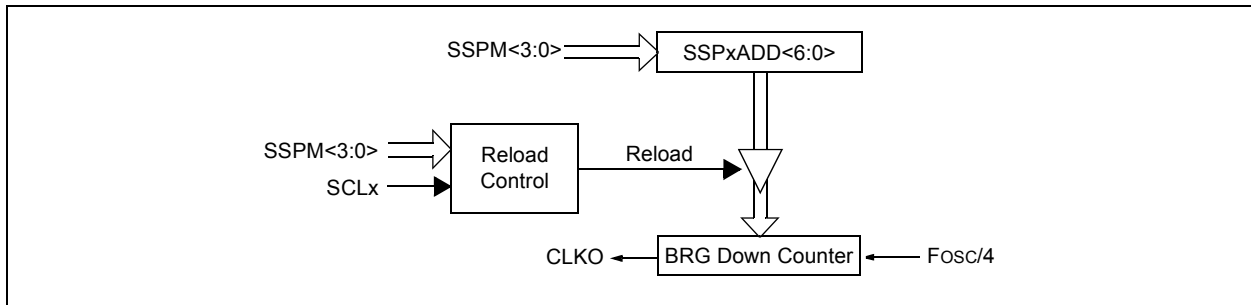
Table 21-3 demonstrates clock rates based on instruction cycles and the BRG value loaded into SSPxADD. The SSPxADD BRG value of '0x00' is not supported.

### 21.4.7.1 Baud Rate and Module Interdependence

Because MSSP1 and MSSP2 are independent, they can operate simultaneously in I<sup>2</sup>C Master mode at different baud rates. This is done by using different BRG reload values for each module.

Because this mode derives its basic clock source from the system clock, any changes to the clock will affect both modules in the same proportion. It may be possible to change one or both baud rates back to a previous value by changing the BRG reload value.

**FIGURE 21-19: BAUD RATE GENERATOR BLOCK DIAGRAM**



**TABLE 21-3: I<sup>2</sup>C™ CLOCK RATE w/BRG**

| Fosc                  | Fcy    | Fcy * 2 | BRG Value | FsCL<br>(2 Rollovers of BRG) |
|-----------------------|--------|---------|-----------|------------------------------|
| 40 MHz                | 10 MHz | 20 MHz  | 18h       | 400 kHz                      |
| 40 MHz                | 10 MHz | 20 MHz  | 1Fh       | 312.5 kHz                    |
| 40 MHz                | 10 MHz | 20 MHz  | 63h       | 100 kHz                      |
| 16 MHz                | 4 MHz  | 8 MHz   | 09h       | 400 kHz                      |
| 16 MHz                | 4 MHz  | 8 MHz   | 0Ch       | 308 kHz                      |
| 16 MHz                | 4 MHz  | 8 MHz   | 27h       | 100 kHz                      |
| 4 MHz                 | 1 MHz  | 2 MHz   | 02h       | 333 kHz                      |
| 4 MHz                 | 1 MHz  | 2 MHz   | 09h       | 100 kHz                      |
| 16 MHz <sup>(1)</sup> | 4 MHz  | 8 MHz   | 03h       | 1 MHz <sup>(1)</sup>         |

**Note 1:** A minimum of 16 MHz Fosc is required to get the 1 MHz I<sup>2</sup>C.

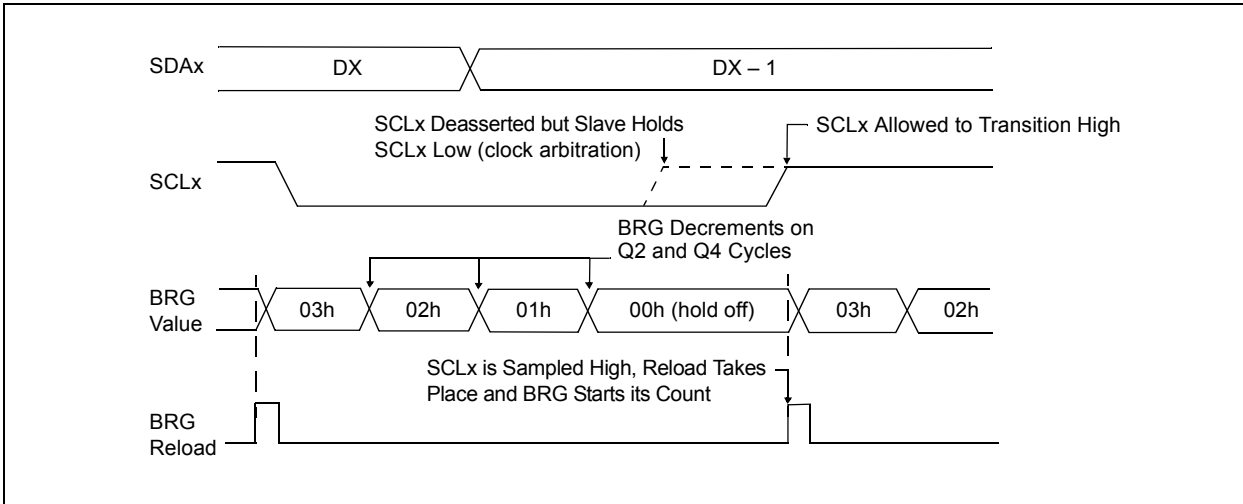
# PIC18F87K90 FAMILY

## 21.4.7.2 Clock Arbitration

Clock arbitration occurs when the master, during any receive, transmit or Repeated Start/Stop condition, deasserts the SCLx pin (SCLx allowed to float high). When the SCLx pin is allowed to float high, the Baud Rate Generator (BRG) is suspended from counting until the SCLx pin is actually sampled high. When the

SCLx pin is sampled high, the Baud Rate Generator is reloaded with the contents of SSPxADD<6:0> and begins counting. This ensures that the SCLx high time will always be at least one BRG rollover count in the event that the clock is held low by an external device (Figure 21-20).

**FIGURE 21-20: BAUD RATE GENERATOR TIMING WITH CLOCK ARBITRATION**





## 21.4.8 I<sup>2</sup>C™ MASTER MODE START CONDITION TIMING

To initiate a Start condition, the user sets the Start Enable bit, SEN (SSPxCON2<0>). If the SDAx and SCLx pins are sampled high, the Baud Rate Generator is reloaded with the contents of SSPxADD<6:0> and starts its count. If SCLx and SDAx are both sampled high when the Baud Rate Generator times out (TBRG), the SDAx pin is driven low. The action of the SDAx being driven low while SCLx is high is the Start condition and causes the S bit (SSPxSTAT<3>) to be set. Following this, the Baud Rate Generator is reloaded with the contents of SSPxADD<6:0> and resumes its count. When the Baud Rate Generator times out (TBRG), the SEN bit (SSPxCON2<0>) will be automatically cleared by hardware. The Baud Rate Generator is suspended, leaving the SDAx line held low and the Start condition is complete.

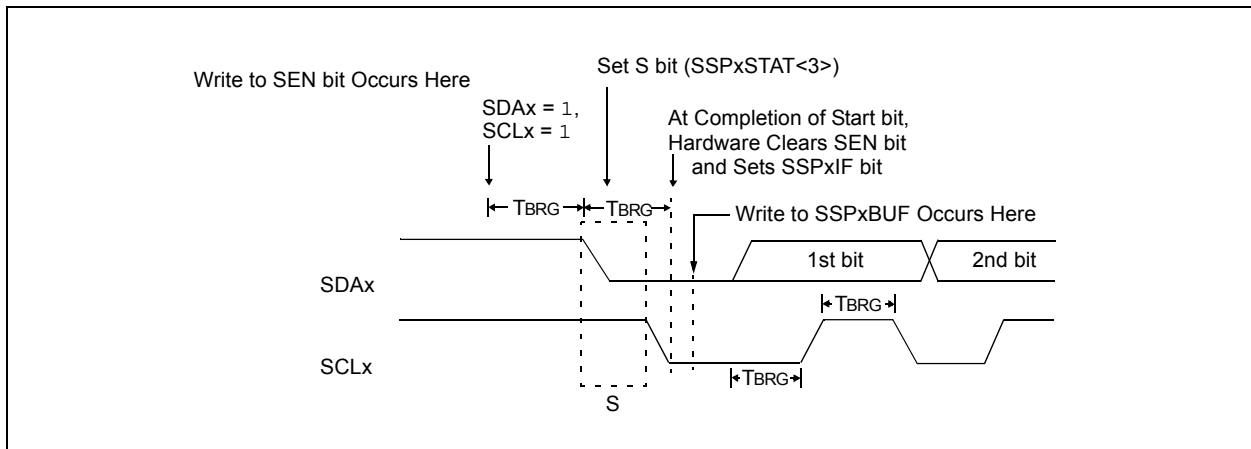
**Note:** If, at the beginning of the Start condition, the SDAx and SCLx pins are already sampled low, or if during the Start condition, the SCLx line is sampled low before the SDAx line is driven low, a bus collision occurs, the Bus Collision Interrupt Flag, BCLxIF, is set, the Start condition is aborted and the I<sup>2</sup>C module is reset into its Idle state.

### 21.4.8.1 WCOL Status Flag

If the user writes the SSPxBUF when a Start sequence is in progress, the WCOL bit is set and the contents of the buffer are unchanged (the write doesn't occur).

**Note:** Because queueing of events is not allowed, writing to the lower 5 bits of SSPxCON2 is disabled until the Start condition is complete.

**FIGURE 21-21: FIRST START BIT TIMING**



# PIC18F87K90 FAMILY

## 21.4.9 I<sup>2</sup>C™ MASTER MODE REPEATED START CONDITION TIMING

A Repeated Start condition occurs when the RSEN bit (SSPxCON2<1>) is programmed high and the I<sup>2</sup>C logic module is in the Idle state. When the RSEN bit is set, the SCLx pin is asserted low. When the SCLx pin is sampled low, the Baud Rate Generator is loaded with the contents of SSPxADD<5:0> and begins counting. The SDAx pin is released (brought high) for one Baud Rate Generator count (TBRG). When the Baud Rate Generator times out, and if SDAx is sampled high, the SCLx pin will be deasserted (brought high). When SCLx is sampled high, the Baud Rate Generator is reloaded with the contents of SSPxADD<6:0> and begins counting. SDAx and SCLx must be sampled high for one TBRG. This action is then followed by assertion of the SDAx pin (SDAx = 0) for one TBRG while SCLx is high. Following this, the RSEN bit (SSPxCON2<1>) will be automatically cleared and the Baud Rate Generator will not be reloaded, leaving the SDAx pin held low. As soon as a Start condition is detected on the SDAx and SCLx pins, the S bit (SSPxSTAT<3>) will be set. The SSPxIF bit will not be set until the Baud Rate Generator has timed out.

**Note 1:** If RSEN is programmed while any other event is in progress, it will not take effect.

**2:** A bus collision during the Repeated Start condition occurs if:

- SDAx is sampled low when SCLx goes from low-to-high.
- SCLx goes low before SDAx is asserted low. This may indicate that another master is attempting to transmit a data '1'.

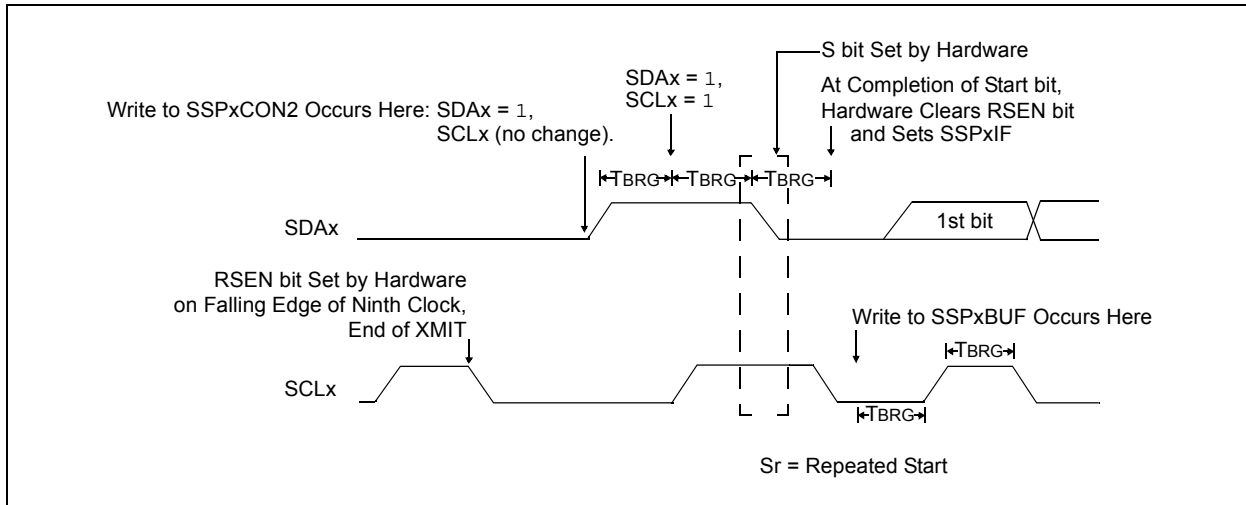
Immediately following the SSPxIF bit getting set, the user may write the SSPxBUF with the 7-bit address in 7-bit mode or the default first address in 10-bit mode. After the first eight bits are transmitted and an ACK is received, the user may then transmit an additional eight bits of address (10-bit mode) or eight bits of data (7-bit mode).

### 21.4.9.1 WCOL Status Flag

If the user writes the SSPxBUF when a Repeated Start sequence is in progress, the WCOL is set and the contents of the buffer are unchanged (the write doesn't occur).

**Note:** Because queueing of events is not allowed, writing of the lower 5 bits of SSPxCON2 is disabled until the Repeated Start condition is complete.

**FIGURE 21-22: REPEATED START CONDITION WAVEFORM**



## 21.4.10 I<sup>2</sup>C™ MASTER MODE TRANSMISSION

Transmission of a data byte, a 7-bit address or the other half of a 10-bit address, is accomplished by simply writing a value to the SSPxBUF register. This action will set the Buffer Full flag bit, BF, and allow the Baud Rate Generator to begin counting and start the next transmission. Each bit of address/data will be shifted out onto the SDAx pin after the falling edge of SCLx is asserted (see data hold time specification Parameter 106). SCLx is held low for one Baud Rate Generator rollover count (TBRG). Data should be valid before SCLx is released high (see data setup time specification Parameter 107). When the SCLx pin is released high, it is held that way for TBRG. The data on the SDAx pin must remain stable for that duration and some hold time after the next falling edge of SCLx. After the eighth bit is shifted out (the falling edge of the eighth clock), the BF flag is cleared and the master releases SDAx. This allows the slave device being addressed to respond with an ACK bit during the ninth bit time if an address match occurred, or if data was received properly. The status of ACK is written into the ACKDT bit on the falling edge of the ninth clock. If the master receives an Acknowledge, the Acknowledge Status bit, ACKSTAT, is cleared; if not, the bit is set. After the ninth clock, the SSPxIF bit is set and the master clock (Baud Rate Generator) is suspended until the next data byte is loaded into the SSPxBUF, leaving SCLx low and SDAx unchanged (Figure 21-23).

After the write to the SSPxBUF, each bit of the address will be shifted out on the falling edge of SCLx until all seven address bits and the R/W bit are completed. On the falling edge of the eighth clock, the master will deassert the SDAx pin, allowing the slave to respond with an Acknowledge. On the falling edge of the ninth clock, the master will sample the SDAx pin to see if the address was recognized by a slave. The status of the ACK bit is loaded into the ACKSTAT status bit (SSPxCON2<6>). Following the falling edge of the ninth clock transmission of the address, the SSPxIF flag is set, the BF flag is cleared and the Baud Rate Generator is turned off until another write to the SSPxBUF takes place, holding SCLx low and allowing SDAx to float.

### 21.4.10.1 BF Status Flag

In Transmit mode, the BF bit (SSPxSTAT<0>) is set when the CPU writes to SSPxBUF and is cleared when all 8 bits are shifted out.

### 21.4.10.2 WCOL Status Flag

If the user writes the SSPxBUF when a transmit is already in progress (i.e., SSPxSR is still shifting out a data byte), the WCOL bit is set and the contents of the buffer are unchanged (the write doesn't occur) after

2 T<sub>CY</sub> after the SSPxBUF write. If SSPxBUF is rewritten within 2 T<sub>CY</sub>, the WCOL bit is set and SSPxBUF is updated. This may result in a corrupted transfer.

The user should verify that the WCOL bit is clear after each write to SSPxBUF to ensure the transfer is correct. In all cases, WCOL must be cleared in software.

### 21.4.10.3 ACKSTAT Status Flag

In Transmit mode, the ACKSTAT bit (SSPxCON2<6>) is cleared when the slave has sent an Acknowledge (ACK = 0) and is set when the slave does not Acknowledge (ACK = 1). A slave sends an Acknowledge when it has recognized its address (including a general call), or when the slave has properly received its data.

## 21.4.11 I<sup>2</sup>C MASTER MODE RECEPTION

Master mode reception is enabled by programming the Receive Enable bit, RCEN (SSPxCON2<3>).

|   |
|---|
| <b>Note:</b> The MSSP module must be in an inactive state before the RCEN bit is set or the RCEN bit will be disregarded. |
|---|

The Baud Rate Generator begins counting, and on each rollover, the state of the SCLx pin changes (high-to-low/low-to-high) and data is shifted into the SSPxSR. After the falling edge of the eighth clock, the receive enable flag is automatically cleared, the contents of the SSPxSR are loaded into the SSPxBUF, the BF flag bit is set, the SSPxIF flag bit is set and the Baud Rate Generator is suspended from counting, holding SCLx low. The MSSP is now in Idle state awaiting the next command. When the buffer is read by the CPU, the BF flag bit is automatically cleared. The user can then send an Acknowledge bit at the end of reception by setting the Acknowledge Sequence Enable bit, ACKEN (SSPxCON2<4>).

### 21.4.11.1 BF Status Flag

In receive operation, the BF bit is set when an address or data byte is loaded into SSPxBUF from SSPxSR. It is cleared when the SSPxBUF register is read.

### 21.4.11.2 SSPOV Status Flag

In receive operation, the SSPOV bit is set when 8 bits are received into the SSPxSR and the BF flag bit is already set from a previous reception.

### 21.4.11.3 WCOL Status Flag

If the user writes the SSPxBUF when a receive is already in progress (i.e., SSPxSR is still shifting in a data byte), the WCOL bit is set and the contents of the buffer are unchanged (the write doesn't occur).

# PIC18F87K90 FAMILY

FIGURE 21-23: I<sup>2</sup>C™ MASTER MODE WAVEFORM (TRANSMISSION, 7 OR 10-BIT ADDRESS)

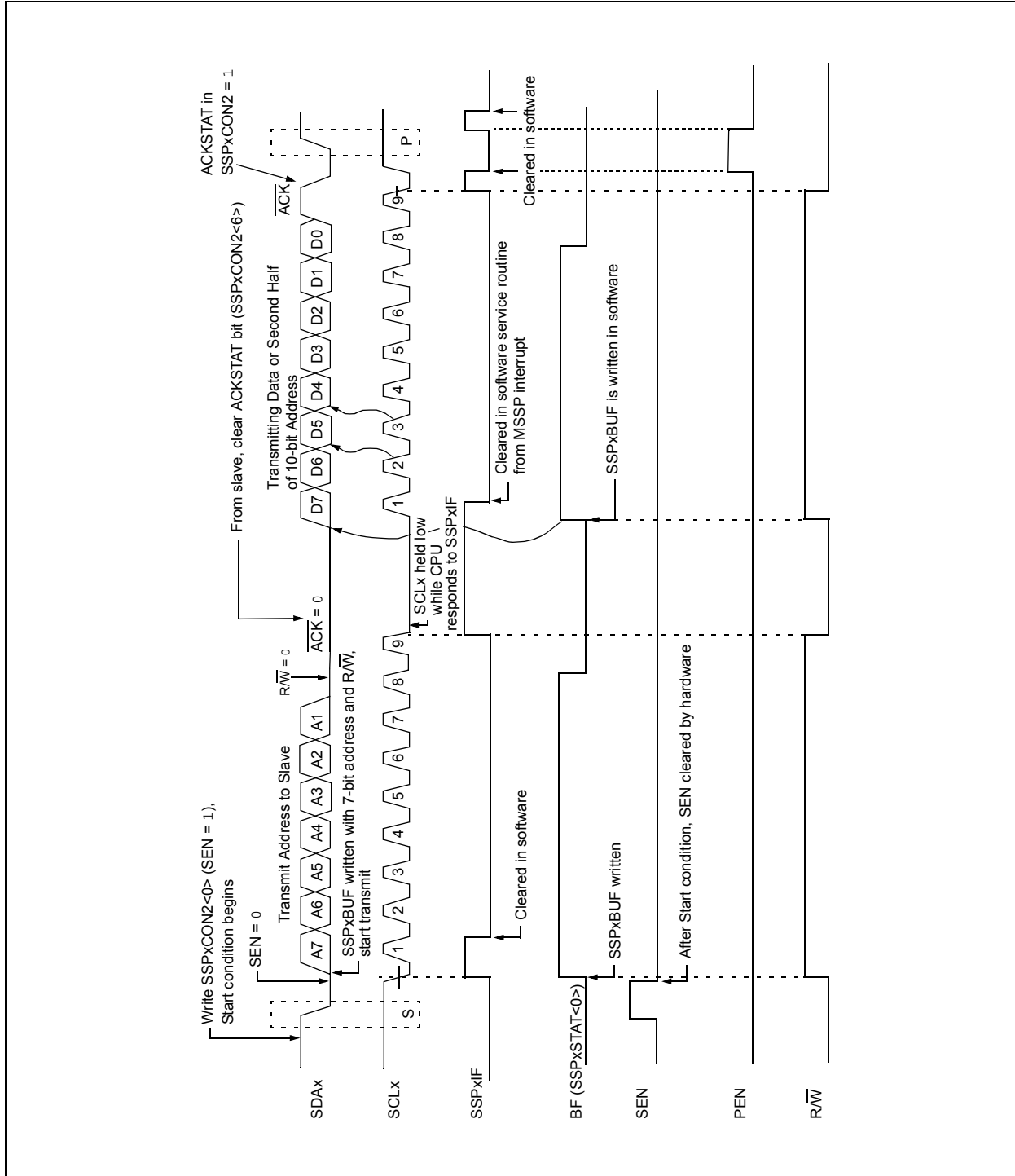
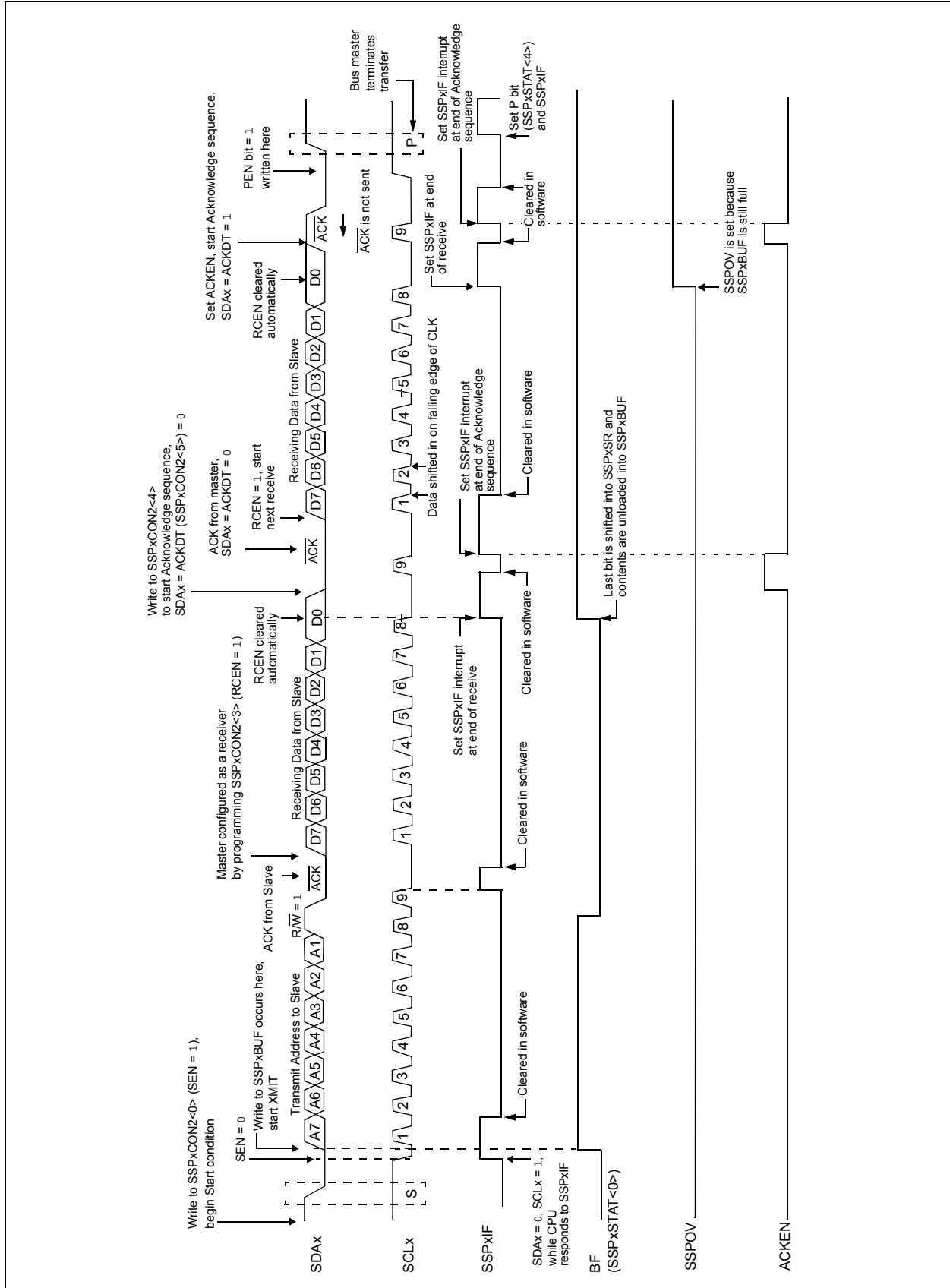


FIGURE 21-24: I<sup>2</sup>C™ MASTER MODE WAVEFORM (RECEPTION, 7-BIT ADDRESS)



# PIC18F87K90 FAMILY

## 21.4.12 ACKNOWLEDGE SEQUENCE TIMING

An Acknowledge sequence is enabled by setting the Acknowledge Sequence Enable bit, ACKEN (SSPxCON2<4>). When this bit is set, the SCLx pin is pulled low and the contents of the Acknowledge data bit are presented on the SDAx pin. If the user wishes to generate an Acknowledge, then the ACKDT bit should be cleared. If not, the user should set the ACKDT bit before starting an Acknowledge sequence. The Baud Rate Generator then counts for one rollover period (TBRG) and the SCLx pin is deasserted (pulled high). When the SCLx pin is sampled high (clock arbitration), the Baud Rate Generator counts for TBRG; the SCLx pin is then pulled low. Following this, the ACKEN bit is automatically cleared, the Baud Rate Generator is turned off and the MSSP module then goes into an inactive state (Figure 21-25).

### 21.4.12.1 WCOL Status Flag

If the user writes the SSPxBUF when an Acknowledge sequence is in progress, then WCOL is set and the contents of the buffer are unchanged (the write doesn't occur).

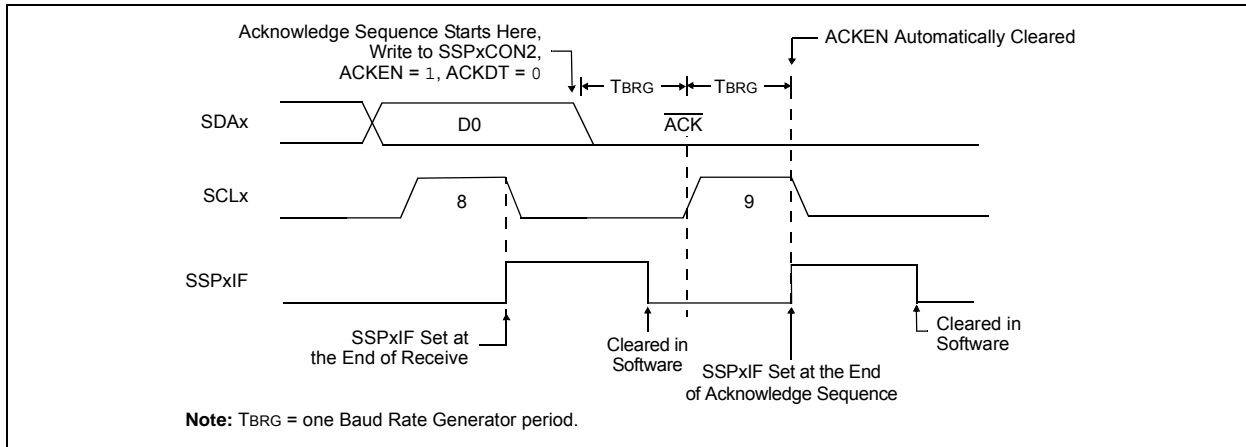
## 21.4.13 STOP CONDITION TIMING

A Stop bit is asserted on the SDAx pin at the end of a receive/transmit by setting the Stop Sequence Enable bit, PEN (SSPxCON2<2>). At the end of a receive/transmit, the SCLx line is held low after the falling edge of the ninth clock. When the PEN bit is set, the master will assert the SDAx line low. When the SDAx line is sampled low, the Baud Rate Generator is reloaded and counts down to 0. When the Baud Rate Generator times out, the SCLx pin will be brought high and one TBRG (Baud Rate Generator rollover count) later, the SDAx pin will be deasserted. When the SDAx pin is sampled high while SCLx is high, the P bit (SSPxSTAT<4>) is set. A TBRG later, the PEN bit is cleared and the SSPxIF bit is set (see Figure 21-26).

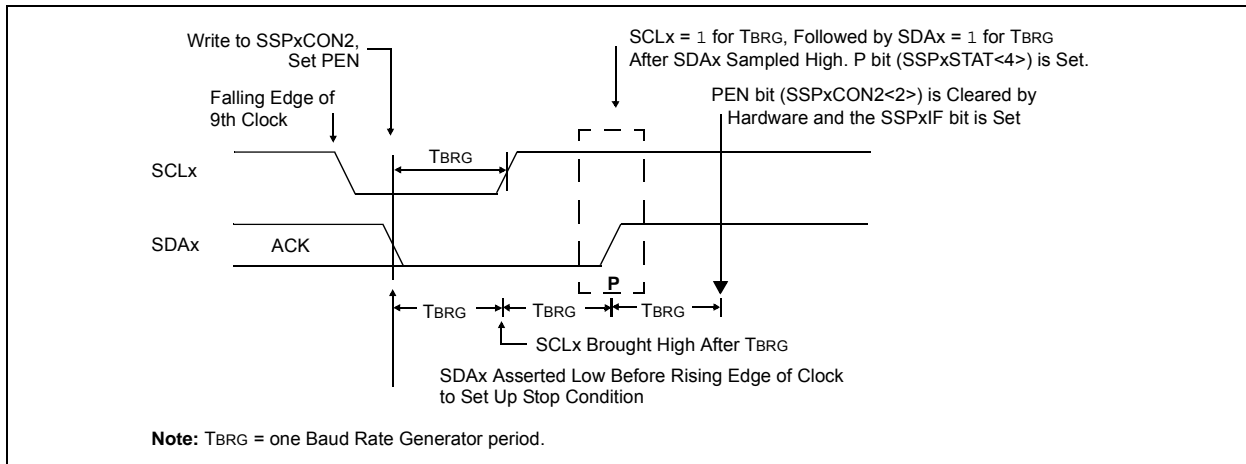
### 21.4.13.1 WCOL Status Flag

If the user writes the SSPxBUF when a Stop sequence is in progress, then the WCOL bit is set and the contents of the buffer are unchanged (the write doesn't occur).

**FIGURE 21-25: ACKNOWLEDGE SEQUENCE WAVEFORM**



**FIGURE 21-26: STOP CONDITION RECEIVE OR TRANSMIT MODE**



## 21.4.14 SLEEP OPERATION

While in Sleep mode, the I<sup>2</sup>C module can receive addresses or data and when an address match or complete byte transfer occurs, wake the processor from Sleep (if the MSSP interrupt is enabled).

## 21.4.15 EFFECTS OF A RESET

A Reset disables the MSSP module and terminates the current transfer.

## 21.4.16 MULTI-MASTER MODE

In Multi-Master mode, the interrupt generation on the detection of the Start and Stop conditions allows the determination of when the bus is free. The Stop (P) and Start (S) bits are cleared from a Reset or when the MSSP module is disabled. Control of the I<sup>2</sup>C bus may be taken when the P bit (SSPxSTAT<4>) is set, or the bus is Idle, with both the S and P bits clear. When the bus is busy, enabling the MSSP interrupt will generate the interrupt when the Stop condition occurs.

In multi-master operation, the SDAx line must be monitored for arbitration to see if the signal level is the expected output level. This check is performed in hardware with the result placed in the BCLxIF bit.

The states where arbitration can be lost are:

- Address Transfer
- Data Transfer
- A Start Condition
- A Repeated Start Condition
- An Acknowledge Condition

## 21.4.17 MULTI-MASTER COMMUNICATION, BUS COLLISION AND BUS ARBITRATION

Multi-Master mode support is achieved by bus arbitration. When the master outputs address/data bits onto the SDAx pin, arbitration takes place when the master outputs a '1' on SDAx, by letting SDAx float high, and another master asserts a '0'. When the SCLx pin floats high, data should be stable. If the expected data on SDAx is a '1' and the data sampled on the SDAx pin = 0, then a bus collision has taken place. The master will set the Bus Collision Interrupt Flag, BCLxIF, and reset the I<sup>2</sup>C port to its Idle state (Figure 21-27).

If a transmit was in progress when the bus collision occurred, the transmission is halted, the BF flag is cleared, the SDAx and SCLx lines are deasserted and the SSPxBUF can be written to. When the user services the bus collision Interrupt Service Routine and if the I<sup>2</sup>C bus is free, the user can resume communication by asserting a Start condition.

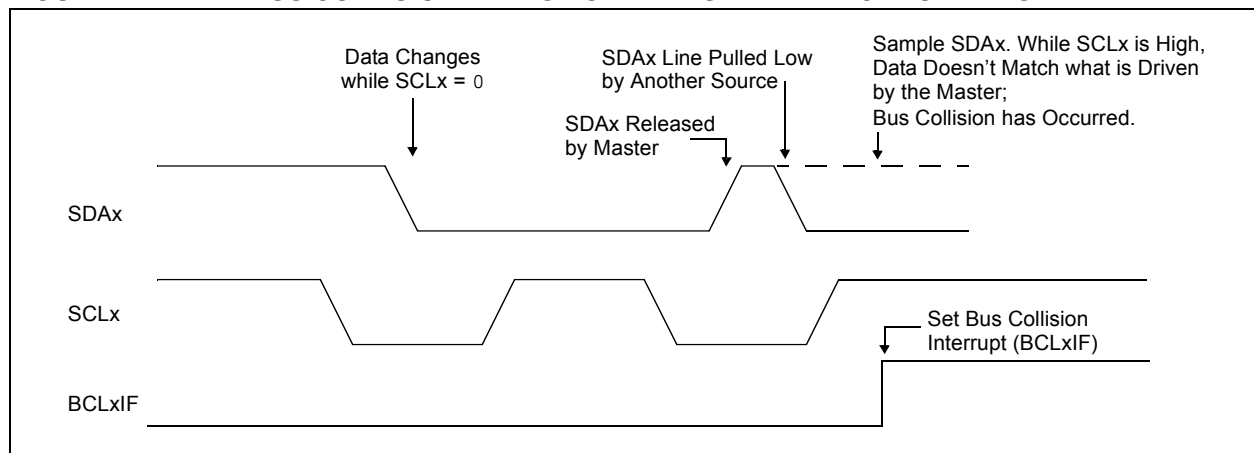
If a Start, Repeated Start, Stop or Acknowledge condition was in progress when the bus collision occurred, the condition is aborted, the SDAx and SCLx lines are deasserted and the respective control bits in the SSPxCON2 register are cleared. When the user services the bus collision Interrupt Service Routine, and if the I<sup>2</sup>C bus is free, the user can resume communication by asserting a Start condition.

The master will continue to monitor the SDAx and SCLx pins. If a Stop condition occurs, the SSPxIF bit will be set.

A write to the SSPxBUF will start the transmission of data at the first data bit regardless of where the transmitter left off when the bus collision occurred.

In Multi-Master mode, the interrupt generation on the detection of Start and Stop conditions allows the determination of when the bus is free. Control of the I<sup>2</sup>C bus can be taken when the P bit is set in the SSPxSTAT register, or the bus is Idle and the S and P bits are cleared.

**FIGURE 21-27: BUS COLLISION TIMING FOR TRANSMIT AND ACKNOWLEDGE**



# PIC18F87K90 FAMILY

## 21.4.17.1 Bus Collision During a Start Condition

During a Start condition, a bus collision occurs if:

- SDAx or SCLx is sampled low at the beginning of the Start condition (Figure 21-28).
- SCLx is sampled low before SDAx is asserted low (Figure 21-29).

During a Start condition, both the SDAx and the SCLx pins are monitored.

If the SDAx pin is already low, or the SCLx pin is already low, then all of the following occur:

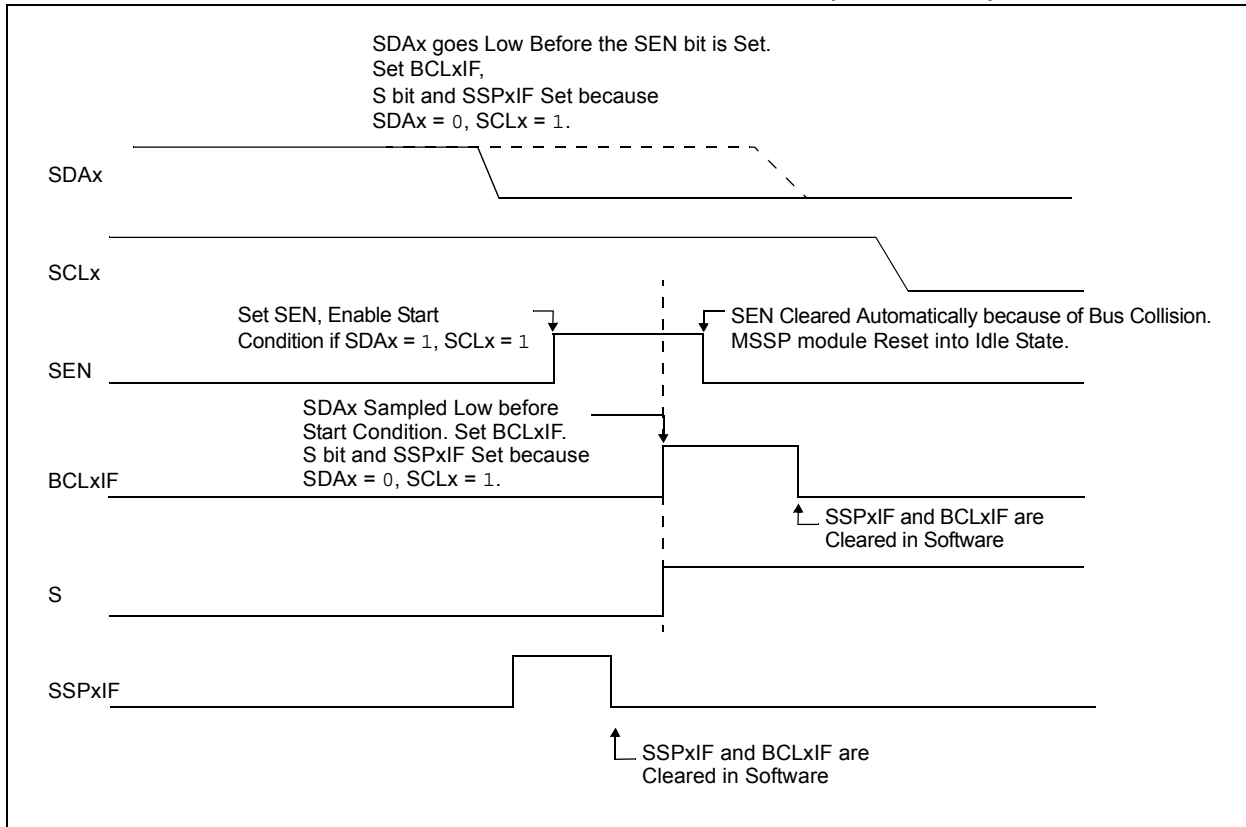
- The Start condition is aborted
- The BCLxIF flag is set
- The MSSP module is reset to its inactive state (see Figure 21-28)

The Start condition begins with the SDAx and SCLx pins deasserted. When the SDAx pin is sampled high, the Baud Rate Generator is loaded from SSPxADD<6:0> and counts down to 0. If the SCLx pin is sampled low while SDAx is high, a bus collision occurs because it is assumed that another master is attempting to drive a data '1' during the Start condition.

If the SDAx pin is sampled low during this count, the BRG is reset and the SDAx line is asserted early (Figure 21-30). If, however, a '1' is sampled on the SDAx pin, the SDAx pin is asserted low at the end of the BRG count. The Baud Rate Generator is then reloaded and counts down to 0. If the SCLx pin is sampled as '0' during this time, a bus collision does not occur. At the end of the BRG count, the SCLx pin is asserted low.

**Note:** The reason that a bus collision is not a factor during a Start condition is that no two bus masters can assert a Start condition at the exact same time. Therefore, one master will always assert SDAx before the other. This condition does not cause a bus collision because the two masters must be allowed to arbitrate the first address following the Start condition. If the address is the same, arbitration must be allowed to continue into the data portion, Repeated Start or Stop conditions.

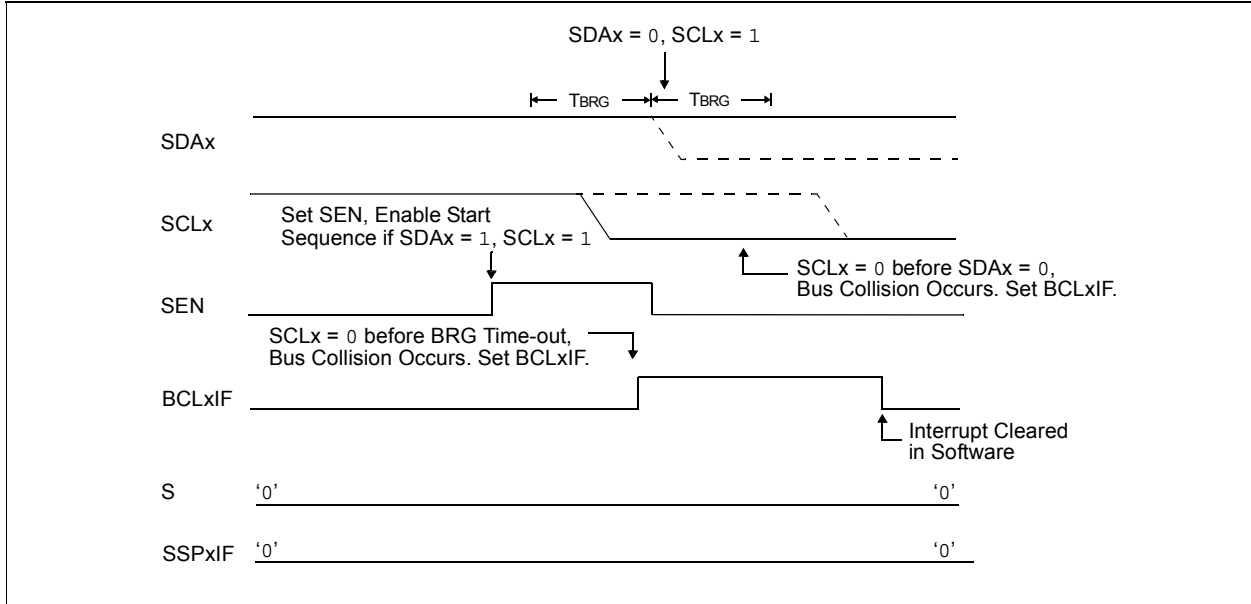
**FIGURE 21-28: BUS COLLISION DURING START CONDITION (SDAx ONLY)**



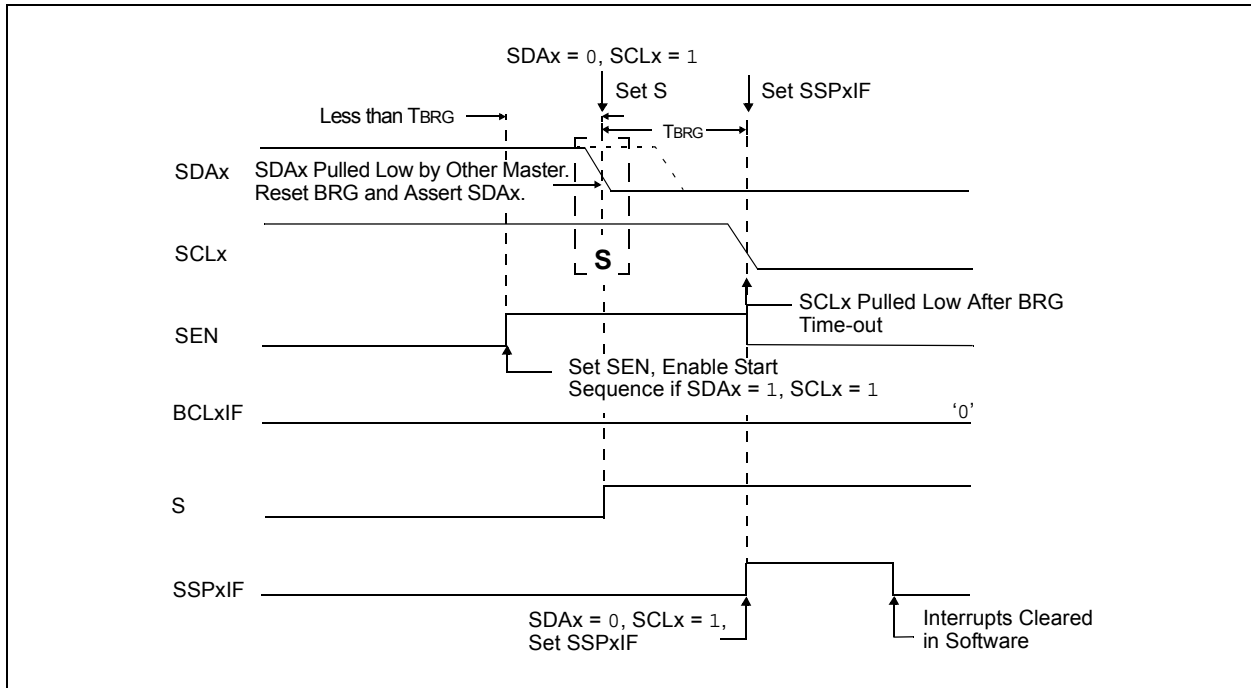


# PIC18F87K90 FAMILY

**FIGURE 21-29: BUS COLLISION DURING START CONDITION (SCLx = 0)**



**FIGURE 21-30: BRG RESET DUE TO SDAx ARBITRATION DURING START CONDITION**



# PIC18F87K90 FAMILY

## 21.4.17.2 Bus Collision During a Repeated Start Condition

During a Repeated Start condition, a bus collision occurs if:

- A low level is sampled on SDAx when SCLx goes from a low level to a high level.
- SCLx goes low before SDAx is asserted low, indicating that another master is attempting to transmit a data '1'.

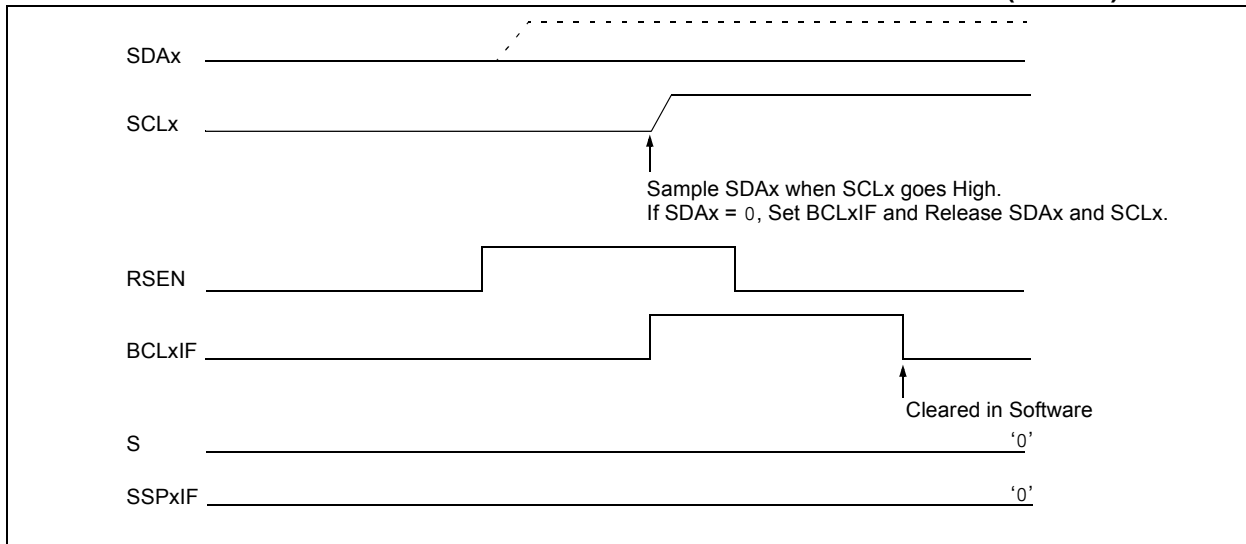
When the user deasserts SDAx and the pin is allowed to float high, the BRG is loaded with  $SSPxADD<6:0>$  and counts down to 0. The SCLx pin is then deasserted and when sampled high, the SDAx pin is sampled.

If SDAx is low, a bus collision has occurred (i.e., another master is attempting to transmit a data '0', [Figure 21-31](#)). If SDAx is sampled high, the BRG is reloaded and begins counting. If SDAx goes from high-to-low before the BRG times out, no bus collision occurs because no two masters can assert SDAx at exactly the same time.

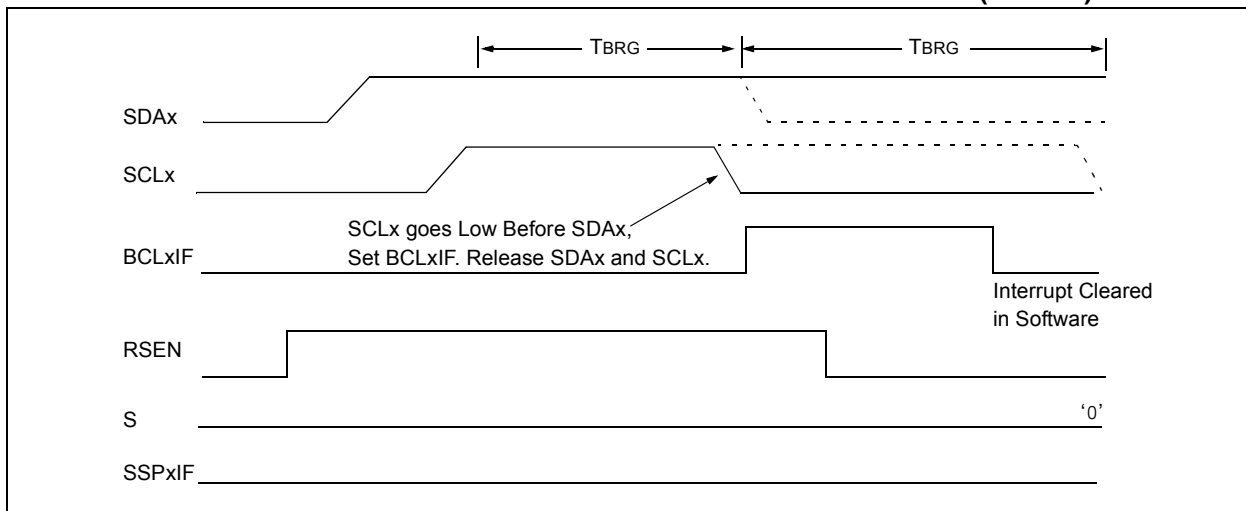
If SCLx goes from high-to-low before the BRG times out and SDAx has not already been asserted, a bus collision occurs. In this case, another master is attempting to transmit a data '1' during the Repeated Start condition (see [Figure 21-32](#)).

If, at the end of the BRG time-out, both SCLx and SDAx are still high, the SDAx pin is driven low and the BRG is reloaded and begins counting. At the end of the count, regardless of the status of the SCLx pin, the SCLx pin is driven low and the Repeated Start condition is complete.

**FIGURE 21-31: BUS COLLISION DURING A REPEATED START CONDITION (CASE 1)**



**FIGURE 21-32: BUS COLLISION DURING REPEATED START CONDITION (CASE 2)**



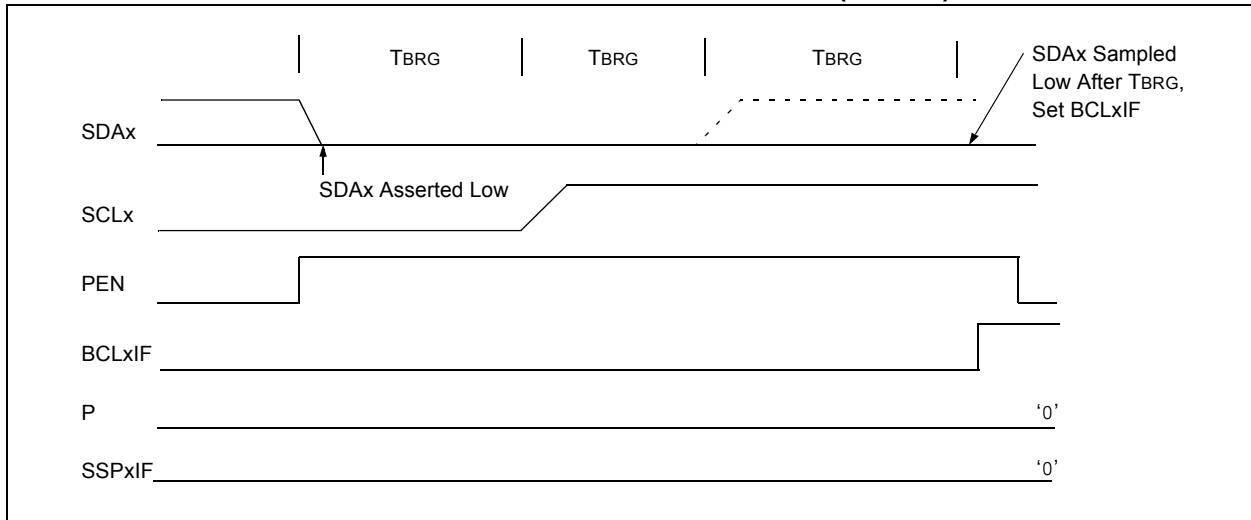
## 21.4.17.3 Bus Collision During a Stop Condition

Bus collision occurs during a Stop condition if:

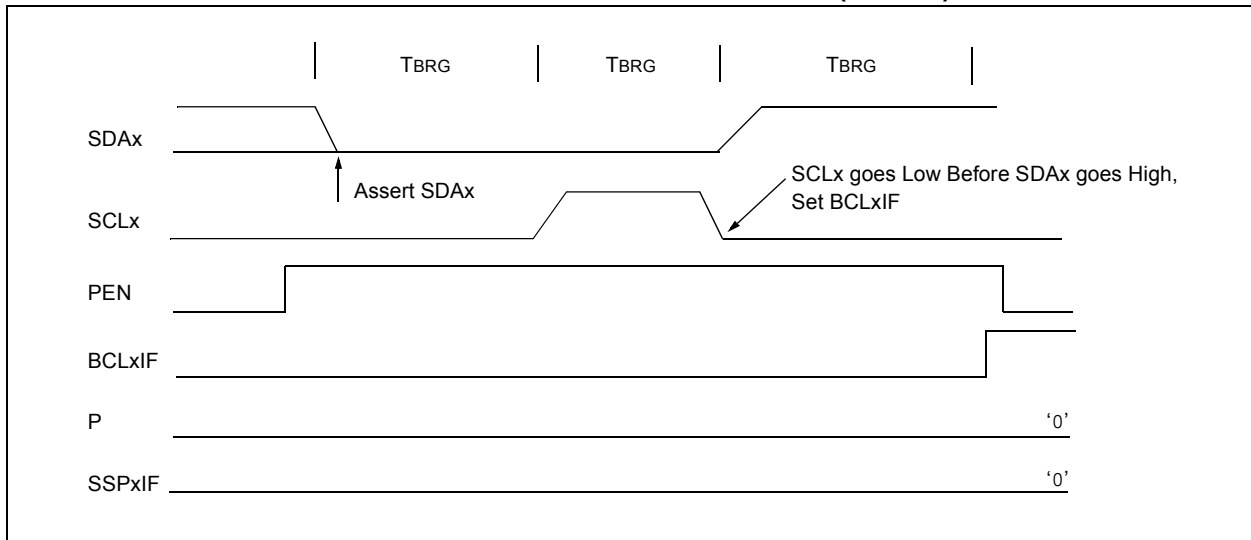
- After the SDAx pin has been deasserted and allowed to float high, SDAx is sampled low after the BRG has timed out.
- After the SCLx pin is deasserted, SCLx is sampled low before SDAx goes high.

The Stop condition begins with SDAx asserted low. When SDAx is sampled low, the SCLx pin is allowed to float. When the pin is sampled high (clock arbitration), the Baud Rate Generator is loaded with SSPxADD<6:0> and counts down to 0. After the BRG times out, SDAx is sampled. If SDAx is sampled low, a bus collision has occurred. This is due to another master attempting to drive a data '0' (Figure 21-33). If the SCLx pin is sampled low before SDAx is allowed to float high, a bus collision occurs. This is another case of another master attempting to drive a data '0' (Figure 21-34).

**FIGURE 21-33: BUS COLLISION DURING A STOP CONDITION (CASE 1)**



**FIGURE 21-34: BUS COLLISION DURING A STOP CONDITION (CASE 2)**



# PIC18F87K90 FAMILY

**TABLE 21-4: REGISTERS ASSOCIATED WITH I<sup>2</sup>C™ OPERATION**

| Name                   | Bit 7  | Bit 6     | Bit 5                 | Bit 4                 | Bit 3                 | Bit 2                 | Bit 1                 | Bit 0   | Reset Values on Page: |
|------------------------|--|-----------|-----------------------|-----------------------|-----------------------|-----------------------|-----------------------|---------|-----------------------|
| INTCON                 | GIE/GIEH   | PEIE/GIEL | TMR0IE                | INT0IE                | RBIE                  | TMR0IF                | INT0IF                | RBIF    | 75                    |
| PIR1                   | —  | ADIF      | RC1IF                 | TX1IF                 | SSP1IF                | TMR1GIF               | TMR2IF                | TMR1IF  | 77                    |
| PIE1                   | —  | ADIE      | RC1IE                 | TX1IE                 | SSP1IE                | TMR1GIE               | TMR2IE                | TMR1IE  | 77                    |
| IPR1                   | —  | ADIP      | RC1IP                 | TX1IP                 | SSP1IP                | TMR1GIP               | TMR2IP                | TMR1IP  | 77                    |
| PIR2                   | OSCFIF   | —         | SSP2IF                | BLC2IF                | BCL1IF                | HLVDIF                | TMR3IF                | TMR3GIF | 77                    |
| PIE2                   | OSCFIE   | —         | SSP2IE                | BLC2IE                | BCL1IE                | HLVDIE                | TMR3IE                | TMR3GIE | 77                    |
| IPR2                   | OSCFIP   | —         | SSP2IP                | BLC2IP                | BCL1IP                | HLVDIP                | TMR3IP                | TMR3GIP | 77                    |
| PIR3                   | TMR5GIF  | LCDIF     | RC2IF                 | TX2IF                 | CTMUIF                | CCP2IF                | CCP1IF                | RTCCIF  | 77                    |
| PIE3                   | TMR5GIE  | LCDIE     | RC2IE                 | TX2IE                 | CTMUIE                | CCP2IE                | CCP1IE                | RTCCIE  | 77                    |
| IPR3                   | TMR5GIP  | LCDIP     | RC2IP                 | TX2IP                 | CTMUIP                | CCP2IP                | CCP1IP                | RTCCIP  | 77                    |
| TRISC                  | TRISC7   | TRISC6    | TRISC5                | TRISC4                | TRISC3                | TRISC2                | TRISC1                | TRISC0  | 78                    |
| TRISD                  | TRISD7   | TRISD6    | TRISD5                | TRISD4                | TRISD3                | TRISD2                | TRISD1                | TRISD0  | 78                    |
| SSP1BUF                | MSSP1 Receive Buffer/Transmit Register   |           |                       |                       |                       |                       |                       |         | 76                    |
| SSP1ADD                | MSSP1 Address Register (I <sup>2</sup> C™ Slave mode),<br>MSSP1 Baud Rate Reload Register (I <sup>2</sup> C Master mode) |           |                       |                       |                       |                       |                       |         | 76                    |
| SSP1MSK <sup>(1)</sup> | MSK7   | MSK6      | MSK5                  | MSK4                  | MSK3                  | MSK2                  | MSK1                  | MSK0    | —                     |
| SSP1CON1               | WCOL   | SSPOV     | SSPEN                 | CKP                   | SSPM3                 | SSPM2                 | SSPM1                 | SSPM0   | 76                    |
| SSP1CON2               | GCEN   | ACKSTAT   | ACKDT                 | ACKEN                 | RCEN                  | PEN                   | RSEN                  | SEN     | 76                    |
|                        | GCEN   | ACKSTAT   | ADMSK5 <sup>(2)</sup> | ADMSK4 <sup>(2)</sup> | ADMSK3 <sup>(2)</sup> | ADMSK2 <sup>(2)</sup> | ADMSK1 <sup>(2)</sup> | SEN     |                       |
| SSP1STAT               | SMP  | CKE       | D/ $\bar{A}$          | P                     | S                     | R/ $\bar{W}$          | UA                    | BF      | 76                    |
| SSP2BUF                | MSSP2 Receive Buffer/Transmit Register   |           |                       |                       |                       |                       |                       |         | 82                    |
| SSP2ADD                | MSSP2 Address Register (I <sup>2</sup> C Slave mode),<br>MSSP2 Baud Rate Reload Register (I <sup>2</sup> C Master mode)  |           |                       |                       |                       |                       |                       |         | 82                    |
| SSP2MSK <sup>(1)</sup> | MSK7   | MSK6      | MSK5                  | MSK4                  | MSK3                  | MSK2                  | MSK1                  | MSK0    | —                     |
| SSP2CON1               | WCOL   | SSPOV     | SSPEN                 | CKP                   | SSPM3                 | SSPM2                 | SSPM1                 | SSPM0   | 82                    |
| SSP2CON2               | GCEN   | ACKSTAT   | ACKDT                 | ACKEN                 | RCEN                  | PEN                   | RSEN                  | SEN     | 83                    |
|                        | GCEN   | ACKSTAT   | ADMSK5 <sup>(2)</sup> | ADMSK4 <sup>(2)</sup> | ADMSK3 <sup>(2)</sup> | ADMSK2 <sup>(2)</sup> | ADMSK1 <sup>(2)</sup> | SEN     |                       |
| SSP2STAT               | SMP  | CKE       | D/ $\bar{A}$          | P                     | S                     | R/ $\bar{W}$          | UA                    | BF      | 82                    |

**Legend:** — = unimplemented, read as '0'. Shaded cells are not used by the MSSP module in I<sup>2</sup>C™ mode.

**Note 1:** SSPxMSK shares the same address in SFR space as SSPxADD, but is only accessible in certain I<sup>2</sup>C™ Slave operating modes in 7-Bit Masking mode. See [Section 21.4.3.4 “7-Bit Address Masking Mode”](#) for more details.

**2:** Alternate bit definitions for use in I<sup>2</sup>C Slave mode operations only.

## 22.0 ENHANCED UNIVERSAL SYNCHRONOUS ASYNCHRONOUS RECEIVER TRANSMITTER (EUSART)

The Enhanced Universal Synchronous Asynchronous Receiver Transmitter (EUSART) module is one of two serial I/O modules. (Generically, the EUSART is also known as a Serial Communications Interface or SCI.) The EUSART can be configured as a full-duplex, asynchronous system that can communicate with peripheral devices, such as CRT terminals and personal computers. It can also be configured as a half-duplex synchronous system that can communicate with peripheral devices, such as A/D or D/A integrated circuits, serial EEPROMs, etc.

The Enhanced USART module implements additional features, including automatic baud rate detection and calibration, automatic wake-up on Sync Break reception and 12-bit Break character transmit. These make it ideally suited for use in Local Interconnect Network bus (LIN/J2602 bus) systems.

All members of the PIC18F87K90 family are equipped with two independent EUSART modules, referred to as EUSART1 and EUSART2. They can be configured in the following modes:

- Asynchronous (full duplex) with:
  - Auto-wake-up on character reception
  - Auto-baud calibration
  - 12-bit Break character transmission
- Synchronous – Master (half duplex) with selectable clock polarity
- Synchronous – Slave (half duplex) with selectable clock polarity

The pins of EUSART1 and EUSART2 are multiplexed with the functions of PORTC (RC6/TX1/CK1/SEG27 and RC7/RX1/DT1/SEG28) and PORTG (RG1/TX2/CK2/AN19/C3OUT and RG2/RX2/DT2/AN18/C3INA), respectively. In order to configure these pins as an EUSART:

- For EUSART1:
  - SPEN (RCSTA1<7>) bit must be set (= 1)
  - TRISC<7> bit must be set (= 1)
  - TRISC<6> bit must be cleared (= 0) for Asynchronous and Synchronous Master modes
  - TRISC<6> bit must be set (= 1) for Synchronous Slave mode
- For EUSART2:
  - SPEN (RCSTA2<7>) bit must be set (= 1)
  - TRISG<2> bit must be set (= 1)
  - TRISG<1> bit must be cleared (= 0) for Asynchronous and Synchronous Master modes
  - TRISC<6> bit must be set (= 1) for Synchronous Slave mode

**Note:** The EUSART control will automatically reconfigure the pin from input to output as needed.

The operation of each Enhanced USART module is controlled through three registers:

- Transmit Status and Control (TXSTAx)
- Receive Status and Control (RCSTAx)
- Baud Rate Control (BAUDCONx)

These are detailed in [Register 22-1](#), [Register 22-2](#) and [Register 22-3](#), respectively, on the following pages.

**Note:** Throughout this section, references to register and bit names that may be associated with a specific EUSART module are referred to generically by the use of 'x' in place of the specific module number. Thus, "RCSTAx" might refer to the Receive Status register for either EUSART1 or EUSART2.

# PIC18F87K90 FAMILY

## REGISTER 22-1: TXSTAx: TRANSMIT STATUS AND CONTROL REGISTER

| R/W-0 | R/W-0 | R/W-0               | R/W-0 | R/W-0 | R/W-0 | R-1   | R/W-0 |
|-------|-------|---------------------|-------|-------|-------|-------|-------|
| CSRC  | TX9   | TXEN <sup>(1)</sup> | SYNC  | SENDB | BRGH  | TRMT  | TX9D  |
| bit 7 |       |                     |       |       |       | bit 0 |       |

### Legend:

R = Readable bit                      W = Writable bit                      U = Unimplemented bit, read as '0'  
 -n = Value at POR                      '1' = Bit is set                      '0' = Bit is cleared                      x = Bit is unknown

- bit 7            **CSRC:** Clock Source Select bit  
Asynchronous mode:  
 Don't care.  
Synchronous mode:  
 1 = Master mode (clock generated internally from BRG)  
 0 = Slave mode (clock from external source)
- bit 6            **TX9:** 9-Bit Transmit Enable bit  
 1 = Selects 9-bit transmission  
 0 = Selects 8-bit transmission
- bit 5            **TXEN:** Transmit Enable bit<sup>(1)</sup>  
 1 = Transmit is enabled  
 0 = Transmit is disabled
- bit 4            **SYNC:** EUSART Mode Select bit  
 1 = Synchronous mode  
 0 = Asynchronous mode
- bit 3            **SENDB:** Send Break Character bit  
Asynchronous mode:  
 1 = Send Sync Break on next transmission (cleared by hardware upon completion)  
 0 = Sync Break transmission has completed  
Synchronous mode:  
 Don't care.
- bit 2            **BRGH:** High Baud Rate Select bit  
Asynchronous mode:  
 1 = High speed  
 0 = Low speed  
Synchronous mode:  
 Unused in this mode.
- bit 1            **TRMT:** Transmit Shift Register Status bit  
 1 = TSR is empty  
 0 = TSR is full
- bit 0            **TX9D:** 9th bit of Transmit Data  
 Can be an address/data bit or a parity bit.

**Note 1:** SREN/CREN overrides TXEN in Sync mode.

# PIC18F87K90 FAMILY

## REGISTER 22-2: RCSTAx: RECEIVE STATUS AND CONTROL REGISTER

| R/W-0 | R/W-0 | R/W-0 | R/W-0 | R/W-0 | R-0  | R-0  | R-x   |
|-------|-------|-------|-------|-------|------|------|-------|
| SPEN  | RX9   | SREN  | CREN  | ADDEN | FERR | OERR | RX9D  |
| bit 7 |       |       |       |       |      |      | bit 0 |

### Legend:

|                   |                  |                                    |
|-------------------|------------------|------------------------------------|
| R = Readable bit  | W = Writable bit | U = Unimplemented bit, read as '0' |
| -n = Value at POR | '1' = Bit is set | '0' = Bit is cleared               |
|                   |                  | x = Bit is unknown                 |

- bit 7      **SPEN:** Serial Port Enable bit  
1 = Serial port is enabled  
0 = Serial is port disabled (held in Reset)
- bit 6      **RX9:** 9-Bit Receive Enable bit  
1 = Selects 9-bit reception  
0 = Selects 8-bit reception
- bit 5      **SREN:** Single Receive Enable bit  
Asynchronous mode:  
Don't care.  
Synchronous mode – Master:  
1 = Enables single receive  
0 = Disables single receive  
This bit is cleared after reception is complete.  
Synchronous mode – Slave:  
Don't care.
- bit 4      **CREN:** Continuous Receive Enable bit  
Asynchronous mode:  
1 = Enables the receiver  
0 = Disables the receiver  
Synchronous mode:  
1 = Enables continuous receive until enable bit, CREN, is cleared (CREN overrides SREN)  
0 = Disables continuous receive
- bit 3      **ADDEN:** Address Detect Enable bit  
Asynchronous mode 9-Bit (RX9 = 1):  
1 = Enables address detection, enables interrupt and loads the receive buffer when RSR<8> is set  
0 = Disables address detection, all bytes are received and ninth bit can be used as parity bit  
Asynchronous mode 8-Bit (RX9 = 0):  
Don't care.
- bit 2      **FERR:** Framing Error bit  
1 = Framing error (can be cleared by reading the RCREGx register and receiving the next valid byte)  
0 = No framing error
- bit 1      **OERR:** Overrun Error bit  
1 = Overrun error (can be cleared by clearing bit, CREN)  
0 = No overrun error
- bit 0      **RX9D:** 9th bit of Received Data  
This can be an address/data bit or a parity bit and must be calculated by user firmware.

# PIC18F87K90 FAMILY

## REGISTER 22-3: BAUDCONx: BAUD RATE CONTROL REGISTER

| R/W-0  | R-1   | R/W-0 | R/W-0 | R/W-0 | U-0 | R/W-0 | R/W-0 |
|--------|-------|-------|-------|-------|-----|-------|-------|
| ABDOVF | RCIDL | RXDTP | TXCKP | BRG16 | —   | WUE   | ABDEN |
| bit 7  |       |       |       |       |     |       | bit 0 |

### Legend:

|                   |                  |                                    |
|-------------------|------------------|------------------------------------|
| R = Readable bit  | W = Writable bit | U = Unimplemented bit, read as '0' |
| -n = Value at POR | '1' = Bit is set | '0' = Bit is cleared               |
|                   |                  | x = Bit is unknown                 |

- bit 7      **ABDOVF:** Auto-Baud Acquisition Rollover Status bit  
 1 = A BRG rollover has occurred during Auto-Baud Rate Detect mode (must be cleared in software)  
 0 = No BRG rollover has occurred
- bit 6      **RCIDL:** Receive Operation Idle Status bit  
 1 = Receive operation is Idle  
 0 = Receive operation is active
- bit 5      **RXDTP:** Data/Receive Polarity Select bit  
Asynchronous mode:  
 1 = Receive data (RXx) is inverted (active-low)  
 0 = Receive data (RXx) is not inverted (active-high)  
Synchronous mode:  
 1 = Data (DTx) is inverted (active-low)  
 0 = Data (DTx) is not inverted (active-high)
- bit 4      **TXCKP:** Synchronous Clock Polarity Select bit  
Asynchronous mode:  
 1 = Idle state for transmit (TXx) is a low level  
 0 = Idle state for transmit (TXx) is a high level  
Synchronous mode:  
 1 = Idle state for clock (CKx) is a high level  
 0 = Idle state for clock (CKx) is a low level
- bit 3      **BRG16:** 16-Bit Baud Rate Register Enable bit  
 1 = 16-bit Baud Rate Generator – SPBRGHx and SPBRGx  
 0 = 8-bit Baud Rate Generator – SPBRGx only (Compatible mode), SPBRGHx value is ignored
- bit 2      **Unimplemented:** Read as '0'
- bit 1      **WUE:** Wake-up Enable bit  
Asynchronous mode:  
 1 = EUSART will continue to sample the RXx pin – interrupt is generated on the falling edge; bit is cleared in hardware on the following rising edge  
 0 = RXx pin is not monitored or the rising edge detected  
Synchronous mode:  
 Unused in this mode.
- bit 0      **ABDEN:** Auto-Baud Detect Enable bit  
Asynchronous mode:  
 1 = Enable baud rate measurement on the next character. Requires reception of a Sync field (55h); cleared in hardware upon completion.  
 0 = Baud rate measurement is disabled or completed  
Synchronous mode:  
 Unused in this mode.



## 22.1 Baud Rate Generator (BRG)

The BRG is a dedicated, 8-bit or 16-bit generator that supports both the Asynchronous and Synchronous modes of the EUSART. By default, the BRG operates in 8-bit mode; setting the BRG16 bit (BAUDCONx<3>) selects 16-bit mode.

The SPBRGHx:SPBRGx register pair controls the period of a free-running timer. In Asynchronous mode, bits, BRGH (TXSTAx<2>) and BRG16 (BAUDCONx<3>), also control the baud rate. In Synchronous mode, BRGH is ignored. [Table 22-1](#) shows the formula for computation of the baud rate for different EUSART modes which only apply in Master mode (internally generated clock).

Given the desired baud rate and Fosc, the nearest integer value for the SPBRGHx:SPBRGx registers can be calculated using the formulas in [Table 22-1](#). From this, the error in baud rate can be determined. An example calculation is shown in [Example 22-1](#). Typical baud rates and error values for the various Asynchronous modes are shown in [Table 22-2](#). It may be advantageous to use the high baud rate (BRGH = 1) or the 16-bit BRG to reduce the baud rate error, or achieve a slow baud rate for a fast oscillator frequency.

Writing a new value to the SPBRGHx:SPBRGx registers causes the BRG timer to be reset (or cleared). This ensures the BRG does not wait for a timer overflow before outputting the new baud rate. When operated in Synchronous mode, SPBRGH:SPBRG values of 0000h and 0001h are not supported. In the Asynchronous mode, all BRG values may be used.

### 22.1.1 OPERATION IN POWER-MANAGED MODES

The device clock is used to generate the desired baud rate. When one of the power-managed modes is entered, the new clock source may be operating at a different frequency. This may require an adjustment to the value in the SPBRGx register pair.

### 22.1.2 SAMPLING

The data on the RXx pin (either RC7/RX1/DT1/SEG28 or RG2/RX2/DT2/AN18/C3INA) is sampled three times by a majority detect circuit to determine if a high or a low level is present at the RXx pin.

**TABLE 22-1: BAUD RATE FORMULAS**

| Configuration Bits |       |      | BRG/EUSART Mode     | Baud Rate Formula      |
|--------------------|-------|------|---------------------|------------------------|
| SYNC               | BRG16 | BRGH |                     |                        |
| 0                  | 0     | 0    | 8-Bit/Asynchronous  | $F_{osc}/[64 (n + 1)]$ |
| 0                  | 0     | 1    | 8-Bit/Asynchronous  | $F_{osc}/[16 (n + 1)]$ |
| 0                  | 1     | 0    | 16-Bit/Asynchronous |                        |
| 0                  | 1     | 1    | 16-Bit/Asynchronous | $F_{osc}/[4 (n + 1)]$  |
| 1                  | 0     | x    | 8-Bit/Synchronous   |                        |
| 1                  | 1     | x    | 16-Bit/Synchronous  |                        |

**Legend:** x = Don't care, n = value of SPBRGHx:SPBRGx register pair

# PIC18F87K90 FAMILY

## EXAMPLE 22-1: CALCULATING BAUD RATE ERROR

For a device with FOSC of 16 MHz, desired baud rate of 9600, Asynchronous mode, and 8-bit BRG:

$$\text{Desired Baud Rate} = \text{FOSC}/(64 ([\text{SPBRGHx}:\text{SPBRGx}] + 1))$$

Solving for SPBRGHx:SPBRGx:

$$X = ((\text{FOSC}/\text{Desired Baud Rate})/64) - 1$$

$$= ((16000000/9600)/64) - 1$$

$$= [25.042] = 25$$

$$\text{Calculated Baud Rate} = 16000000/(64 (25 + 1))$$

$$= 9615$$

$$\text{Error} = (\text{Calculated Baud Rate} - \text{Desired Baud Rate})/\text{Desired Baud Rate}$$

$$= (9615 - 9600)/9600 = 0.16\%$$

TABLE 22-2: REGISTERS ASSOCIATED WITH BAUD RATE GENERATOR

| Name     | Bit 7  | Bit 6 | Bit 5 | Bit 4 | Bit 3 | Bit 2 | Bit 1 | Bit 0 | Reset Values on Page: |
|----------|--|-------|-------|-------|-------|-------|-------|-------|-----------------------|
| TXSTA1   | CSRC   | TX9   | TXEN  | SYNC  | SENDB | BRGH  | TRMT  | TX9D  | 77                    |
| RCSTA1   | SPEN   | RX9   | SREN  | CREN  | ADDEN | FERR  | OERR  | RX9D  | 77                    |
| BAUDCON1 | ABDOVF   | RCIDL | RXDTP | TXCKP | BRG16 | —     | WUE   | ABDEN | 79                    |
| SPBRGH1  | EUSART1 Baud Rate Generator Register High Byte |       |       |       |       |       |       |       | 76                    |
| SPBRG1   | EUSART1 Baud Rate Generator Register Low Byte  |       |       |       |       |       |       |       | 77                    |
| TXSTA2   | CSRC   | TX9   | TXEN  | SYNC  | SENDB | BRGH  | TRMT  | TX9D  | 81                    |
| RCSTA2   | SPEN   | RX9   | SREN  | CREN  | ADDEN | FERR  | OERR  | RX9D  | 81                    |
| BAUDCON2 | ABDOVF   | RCIDL | RXDTP | TXCKP | BRG16 | —     | WUE   | ABDEN | 81                    |
| SPBRGH2  | EUSART2 Baud Rate Generator Register High Byte |       |       |       |       |       |       |       | 82                    |
| SPBRG2   | EUSART2 Baud Rate Generator Register Low Byte  |       |       |       |       |       |       |       | 82                    |

**Legend:** — = unimplemented, read as '0'. Shaded cells are not used by the BRG.

# PIC18F87K90 FAMILY

**TABLE 22-3: BAUD RATES FOR ASYNCHRONOUS MODES**

| BAUD RATE (K) | SYNC = 0, BRGH = 0, BRG16 = 0 |         |                       |                   |         |                       |                   |         |                       |                  |         |                       |
|---------------|-------------------------------|---------|-----------------------|-------------------|---------|-----------------------|-------------------|---------|-----------------------|------------------|---------|-----------------------|
|               | Fosc = 40.000 MHz             |         |                       | Fosc = 20.000 MHz |         |                       | Fosc = 10.000 MHz |         |                       | Fosc = 8.000 MHz |         |                       |
|               | Actual Rate (K)               | % Error | SPBRG value (decimal) | Actual Rate (K)   | % Error | SPBRG value (decimal) | Actual Rate (K)   | % Error | SPBRG value (decimal) | Actual Rate (K)  | % Error | SPBRG value (decimal) |
| 0.3           | —                             | —       | —                     | —                 | —       | —                     | —                 | —       | —                     | —                | —       | —                     |
| 1.2           | —                             | —       | —                     | 1.221             | 1.73    | 255                   | 1.202             | 0.16    | 129                   | 1.201            | -0.16   | 103                   |
| 2.4           | 2.441                         | 1.73    | 255                   | 2.404             | 0.16    | 129                   | 2.404             | 0.16    | 64                    | 2.403            | -0.16   | 51                    |
| 9.6           | 9.615                         | 0.16    | 64                    | 9.766             | 1.73    | 31                    | 9.766             | 1.73    | 15                    | 9.615            | -0.16   | 12                    |
| 19.2          | 19.531                        | 1.73    | 31                    | 19.531            | 1.73    | 15                    | 19.531            | 1.73    | 7                     | —                | —       | —                     |
| 57.6          | 56.818                        | -1.36   | 10                    | 62.500            | 8.51    | 4                     | 52.083            | -9.58   | 2                     | —                | —       | —                     |
| 115.2         | 125.000                       | 8.51    | 4                     | 104.167           | -9.58   | 2                     | 78.125            | -32.18  | 1                     | —                | —       | —                     |

| BAUD RATE (K) | SYNC = 0, BRGH = 0, BRG16 = 0 |         |                       |                  |         |                       |                  |         |                       |
|---------------|-------------------------------|---------|-----------------------|------------------|---------|-----------------------|------------------|---------|-----------------------|
|               | Fosc = 4.000 MHz              |         |                       | Fosc = 2.000 MHz |         |                       | Fosc = 1.000 MHz |         |                       |
|               | Actual Rate (K)               | % Error | SPBRG value (decimal) | Actual Rate (K)  | % Error | SPBRG value (decimal) | Actual Rate (K)  | % Error | SPBRG value (decimal) |
| 0.3           | 0.300                         | 0.16    | 207                   | 0.300            | -0.16   | 103                   | 0.300            | -0.16   | 51                    |
| 1.2           | 1.202                         | 0.16    | 51                    | 1.201            | -0.16   | 25                    | 1.201            | -0.16   | 12                    |
| 2.4           | 2.404                         | 0.16    | 25                    | 2.403            | -0.16   | 12                    | —                | —       | —                     |
| 9.6           | 8.929                         | -6.99   | 6                     | —                | —       | —                     | —                | —       | —                     |
| 19.2          | 20.833                        | 8.51    | 2                     | —                | —       | —                     | —                | —       | —                     |
| 57.6          | 62.500                        | 8.51    | 0                     | —                | —       | —                     | —                | —       | —                     |
| 115.2         | 62.500                        | -45.75  | 0                     | —                | —       | —                     | —                | —       | —                     |

| BAUD RATE (K) | SYNC = 0, BRGH = 1, BRG16 = 0 |         |                       |                   |         |                       |                   |         |                       |                  |         |                       |
|---------------|-------------------------------|---------|-----------------------|-------------------|---------|-----------------------|-------------------|---------|-----------------------|------------------|---------|-----------------------|
|               | Fosc = 40.000 MHz             |         |                       | Fosc = 20.000 MHz |         |                       | Fosc = 10.000 MHz |         |                       | Fosc = 8.000 MHz |         |                       |
|               | Actual Rate (K)               | % Error | SPBRG value (decimal) | Actual Rate (K)   | % Error | SPBRG value (decimal) | Actual Rate (K)   | % Error | SPBRG value (decimal) | Actual Rate (K)  | % Error | SPBRG value (decimal) |
| 0.3           | —                             | —       | —                     | —                 | —       | —                     | —                 | —       | —                     | —                | —       | —                     |
| 1.2           | —                             | —       | —                     | —                 | —       | —                     | —                 | —       | —                     | —                | —       | —                     |
| 2.4           | —                             | —       | —                     | —                 | —       | —                     | 2.441             | 1.73    | 255                   | 2.403            | -0.16   | 207                   |
| 9.6           | 9.766                         | 1.73    | 255                   | 9.615             | 0.16    | 129                   | 9.615             | 0.16    | 64                    | 9.615            | -0.16   | 51                    |
| 19.2          | 19.231                        | 0.16    | 129                   | 19.231            | 0.16    | 64                    | 19.531            | 1.73    | 31                    | 19.230           | -0.16   | 25                    |
| 57.6          | 58.140                        | 0.94    | 42                    | 56.818            | -1.36   | 21                    | 56.818            | -1.36   | 10                    | 55.555           | 3.55    | 8                     |
| 115.2         | 113.636                       | -1.36   | 21                    | 113.636           | -1.36   | 10                    | 125.000           | 8.51    | 4                     | —                | —       | —                     |

| BAUD RATE (K) | SYNC = 0, BRGH = 1, BRG16 = 0 |         |                       |                  |         |                       |                  |         |                       |
|---------------|-------------------------------|---------|-----------------------|------------------|---------|-----------------------|------------------|---------|-----------------------|
|               | Fosc = 4.000 MHz              |         |                       | Fosc = 2.000 MHz |         |                       | Fosc = 1.000 MHz |         |                       |
|               | Actual Rate (K)               | % Error | SPBRG value (decimal) | Actual Rate (K)  | % Error | SPBRG value (decimal) | Actual Rate (K)  | % Error | SPBRG value (decimal) |
| 0.3           | —                             | —       | —                     | —                | —       | —                     | 0.300            | -0.16   | 207                   |
| 1.2           | 1.202                         | 0.16    | 207                   | 1.201            | -0.16   | 103                   | 1.201            | -0.16   | 51                    |
| 2.4           | 2.404                         | 0.16    | 103                   | 2.403            | -0.16   | 51                    | 2.403            | -0.16   | 25                    |
| 9.6           | 9.615                         | 0.16    | 25                    | 9.615            | -0.16   | 12                    | —                | —       | —                     |
| 19.2          | 19.231                        | 0.16    | 12                    | —                | —       | —                     | —                | —       | —                     |
| 57.6          | 62.500                        | 8.51    | 3                     | —                | —       | —                     | —                | —       | —                     |
| 115.2         | 125.000                       | 8.51    | 1                     | —                | —       | —                     | —                | —       | —                     |

# PIC18F87K90 FAMILY

**TABLE 22-3: BAUD RATES FOR ASYNCHRONOUS MODES (CONTINUED)**

| BAUD RATE (K) | SYNC = 0, BRGH = 0, BRG16 = 1 |         |                       |                   |         |                       |                   |         |                       |                  |         |                       |
|---------------|-------------------------------|---------|-----------------------|-------------------|---------|-----------------------|-------------------|---------|-----------------------|------------------|---------|-----------------------|
|               | Fosc = 40.000 MHz             |         |                       | Fosc = 20.000 MHz |         |                       | Fosc = 10.000 MHz |         |                       | Fosc = 8.000 MHz |         |                       |
|               | Actual Rate (K)               | % Error | SPBRG value (decimal) | Actual Rate (K)   | % Error | SPBRG value (decimal) | Actual Rate (K)   | % Error | SPBRG value (decimal) | Actual Rate (K)  | % Error | SPBRG value (decimal) |
| 0.3           | 0.300                         | 0.00    | 8332                  | 0.300             | 0.02    | 4165                  | 0.300             | 0.02    | 2082                  | 0.300            | -0.04   | 1665                  |
| 1.2           | 1.200                         | 0.02    | 2082                  | 1.200             | -0.03   | 1041                  | 1.200             | -0.03   | 520                   | 1.201            | -0.16   | 415                   |
| 2.4           | 2.402                         | 0.06    | 1040                  | 2.399             | -0.03   | 520                   | 2.404             | 0.16    | 259                   | 2.403            | -0.16   | 207                   |
| 9.6           | 9.615                         | 0.16    | 259                   | 9.615             | 0.16    | 129                   | 9.615             | 0.16    | 64                    | 9.615            | -0.16   | 51                    |
| 19.2          | 19.231                        | 0.16    | 129                   | 19.231            | 0.16    | 64                    | 19.531            | 1.73    | 31                    | 19.230           | -0.16   | 25                    |
| 57.6          | 58.140                        | 0.94    | 42                    | 56.818            | -1.36   | 21                    | 56.818            | -1.36   | 10                    | 55.555           | 3.55    | 8                     |
| 115.2         | 113.636                       | -1.36   | 21                    | 113.636           | -1.36   | 10                    | 125.000           | 8.51    | 4                     | —                | —       | —                     |

| BAUD RATE (K) | SYNC = 0, BRGH = 0, BRG16 = 1 |         |                       |                  |         |                       |                  |         |                       |
|---------------|-------------------------------|---------|-----------------------|------------------|---------|-----------------------|------------------|---------|-----------------------|
|               | Fosc = 4.000 MHz              |         |                       | Fosc = 2.000 MHz |         |                       | Fosc = 1.000 MHz |         |                       |
|               | Actual Rate (K)               | % Error | SPBRG value (decimal) | Actual Rate (K)  | % Error | SPBRG value (decimal) | Actual Rate (K)  | % Error | SPBRG value (decimal) |
| 0.3           | 0.300                         | 0.04    | 832                   | 0.300            | -0.16   | 415                   | 0.300            | -0.16   | 207                   |
| 1.2           | 1.202                         | 0.16    | 207                   | 1.201            | -0.16   | 103                   | 1.201            | -0.16   | 51                    |
| 2.4           | 2.404                         | 0.16    | 103                   | 2.403            | -0.16   | 51                    | 2.403            | -0.16   | 25                    |
| 9.6           | 9.615                         | 0.16    | 25                    | 9.615            | -0.16   | 12                    | —                | —       | —                     |
| 19.2          | 19.231                        | 0.16    | 12                    | —                | —       | —                     | —                | —       | —                     |
| 57.6          | 62.500                        | 8.51    | 3                     | —                | —       | —                     | —                | —       | —                     |
| 115.2         | 125.000                       | 8.51    | 1                     | —                | —       | —                     | —                | —       | —                     |

| BAUD RATE (K) | SYNC = 0, BRGH = 1, BRG16 = 1 or SYNC = 1, BRG16 = 1 |         |                       |                   |         |                       |                   |         |                       |                  |         |                       |
|---------------|--|---------|-----------------------|-------------------|---------|-----------------------|-------------------|---------|-----------------------|------------------|---------|-----------------------|
|               | Fosc = 40.000 MHz                                    |         |                       | Fosc = 20.000 MHz |         |                       | Fosc = 10.000 MHz |         |                       | Fosc = 8.000 MHz |         |                       |
|               | Actual Rate (K)                                      | % Error | SPBRG value (decimal) | Actual Rate (K)   | % Error | SPBRG value (decimal) | Actual Rate (K)   | % Error | SPBRG value (decimal) | Actual Rate (K)  | % Error | SPBRG value (decimal) |
| 0.3           | 0.300  | 0.00    | 33332                 | 0.300             | 0.00    | 16665                 | 0.300             | 0.00    | 8332                  | 0.300            | -0.01   | 6665                  |
| 1.2           | 1.200  | 0.00    | 8332                  | 1.200             | 0.02    | 4165                  | 1.200             | 0.02    | 2082                  | 1.200            | -0.04   | 1665                  |
| 2.4           | 2.400  | 0.02    | 4165                  | 2.400             | 0.02    | 2082                  | 2.402             | 0.06    | 1040                  | 2.400            | -0.04   | 832                   |
| 9.6           | 9.606  | 0.06    | 1040                  | 9.596             | -0.03   | 520                   | 9.615             | 0.16    | 259                   | 9.615            | -0.16   | 207                   |
| 19.2          | 19.193   | -0.03   | 520                   | 19.231            | 0.16    | 259                   | 19.231            | 0.16    | 129                   | 19.230           | -0.16   | 103                   |
| 57.6          | 57.803   | 0.35    | 172                   | 57.471            | -0.22   | 86                    | 58.140            | 0.94    | 42                    | 57.142           | 0.79    | 34                    |
| 115.2         | 114.943  | -0.22   | 86                    | 116.279           | 0.94    | 42                    | 113.636           | -1.36   | 21                    | 117.647          | -2.12   | 16                    |

| BAUD RATE (K) | SYNC = 0, BRGH = 1, BRG16 = 1 or SYNC = 1, BRG16 = 1 |         |                       |                  |         |                       |                  |         |                       |
|---------------|--|---------|-----------------------|------------------|---------|-----------------------|------------------|---------|-----------------------|
|               | Fosc = 4.000 MHz                                     |         |                       | Fosc = 2.000 MHz |         |                       | Fosc = 1.000 MHz |         |                       |
|               | Actual Rate (K)                                      | % Error | SPBRG value (decimal) | Actual Rate (K)  | % Error | SPBRG value (decimal) | Actual Rate (K)  | % Error | SPBRG value (decimal) |
| 0.3           | 0.300  | 0.01    | 3332                  | 0.300            | -0.04   | 1665                  | 0.300            | -0.04   | 832                   |
| 1.2           | 1.200  | 0.04    | 832                   | 1.201            | -0.16   | 415                   | 1.201            | -0.16   | 207                   |
| 2.4           | 2.404  | 0.16    | 415                   | 2.403            | -0.16   | 207                   | 2.403            | -0.16   | 103                   |
| 9.6           | 9.615  | 0.16    | 103                   | 9.615            | -0.16   | 51                    | 9.615            | -0.16   | 25                    |
| 19.2          | 19.231   | 0.16    | 51                    | 19.230           | -0.16   | 25                    | 19.230           | -0.16   | 12                    |
| 57.6          | 58.824   | 2.12    | 16                    | 55.555           | 3.55    | 8                     | —                | —       | —                     |
| 115.2         | 111.111  | -3.55   | 8                     | —                | —       | —                     | —                | —       | —                     |

## 22.1.3 AUTO-BAUD RATE DETECT

The Enhanced USART module supports the automatic detection and calibration of baud rate. This feature is active only in Asynchronous mode and while the WUE bit is clear.

The automatic baud rate measurement sequence (Figure 22-1) begins whenever a Start bit is received and the ABDEN bit is set. The calculation is self-averaging.

In the Auto-Baud Rate Detect (ABD) mode, the clock to the BRG is reversed. Rather than the BRG clocking the incoming RXx signal, the RXx signal is timing the BRG. In ABD mode, the internal Baud Rate Generator is used as a counter to time the bit period of the incoming serial byte stream.

Once the ABDEN bit is set, the state machine will clear the BRG and look for a Start bit. The Auto-Baud Rate Detect must receive a byte with the value, 55h (ASCII "U", which is also the LIN/J2602 bus Sync character), in order to calculate the proper bit rate. The measurement is taken over both a low and a high bit time in order to minimize any effects caused by asymmetry of the incoming signal. After a Start bit, the SPBRGx begins counting up, using the preselected clock source on the first rising edge of RXx. After eight bits on the RXx pin or the fifth rising edge, an accumulated value totalling the proper BRG period is left in the SPBRGHx:SPBRGx register pair. Once the 5th edge is seen (this should correspond to the Stop bit), the ABDEN bit is automatically cleared.

If a rollover of the BRG occurs (an overflow from FFFFh to 0000h), the event is trapped by the ABDOVF status bit (BAUDCONx<7>). It is set in hardware by BRG rollovers and can be set or cleared by the user in software. ABD mode remains active after rollover events and the ABDEN bit remains set (Figure 22-2).

While calibrating the baud rate period, the BRG registers are clocked at 1/8th the preconfigured clock rate. Note that the BRG clock can be configured by the BRG16 and BRGH bits. The BRG16 bit must be set to use both SPBRG1 and SPBRGH1 as a 16-bit counter. This allows the user to verify that no carry occurred for 8-bit modes by checking for 00h in the SPBRGHx register. Refer to Table 22-4 for counter clock rates to the BRG.

While the ABD sequence takes place, the EUSART state machine is held in Idle. The RCxIF interrupt is set once the fifth rising edge on RXx is detected. The value in the RCREGx needs to be read to clear the RCxIF interrupt. The contents of RCREGx should be discarded.

- Note 1:** If the WUE bit is set with the ABDEN bit, Auto-Baud Rate Detection will occur on the byte *following* the Break character.
- 2:** It is up to the user to determine that the incoming character baud rate is within the range of the selected BRG clock source. Some combinations of oscillator frequency and EUSART baud rates are not possible due to bit error rates. Overall system timing and communication baud rates must be taken into consideration when using the Auto-Baud Rate Detection feature.
- 3:** To maximize baud rate range, it is recommended to set the BRG16 (BAUDCONx<3>) bit if the auto-baud feature is used.

**TABLE 22-4: BRG COUNTER CLOCK RATES**

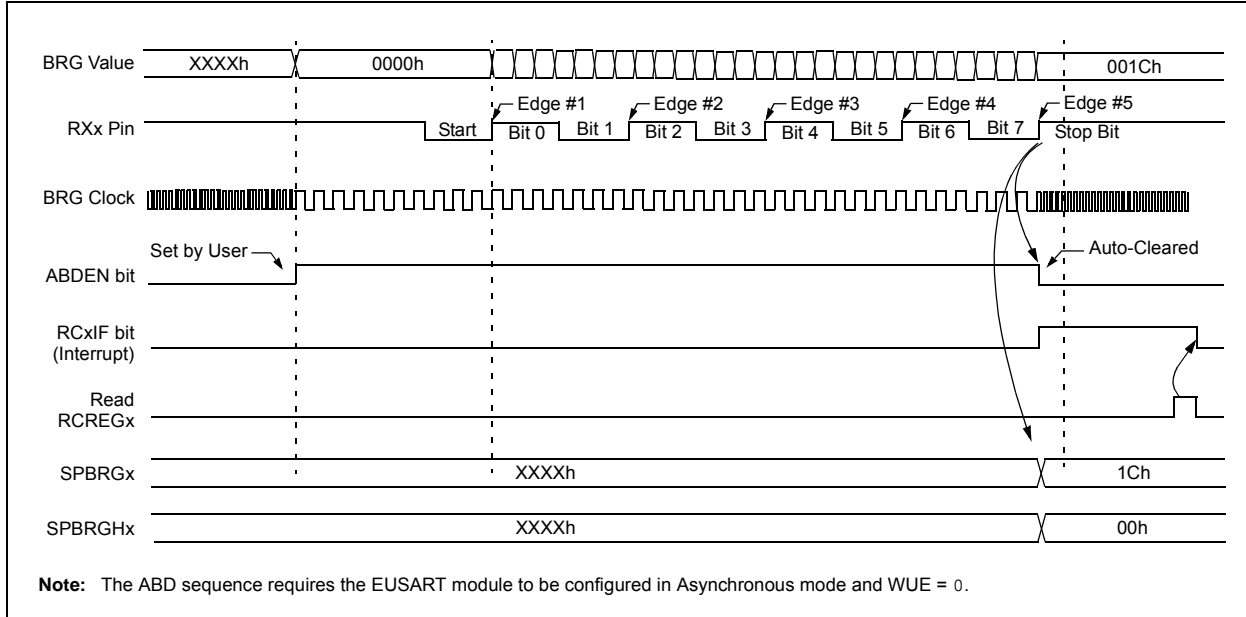
| BRG16 | BRGH | BRG Counter Clock |
|-------|------|-------------------|
| 0     | 0    | Fosc/512          |
| 0     | 1    | Fosc/128          |
| 1     | 0    | Fosc/128          |
| 1     | 1    | Fosc/32           |

### 22.1.3.1 ABD and EUSART Transmission

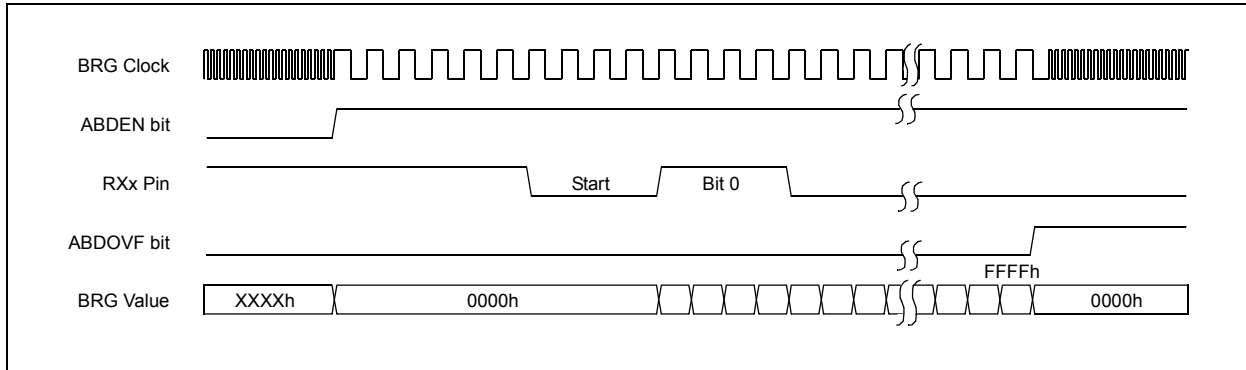
Since the BRG clock is reversed during ABD acquisition, the EUSART transmitter cannot be used during ABD. This means that whenever the ABDEN bit is set, TXREGx cannot be written to. Users should also ensure that ABDEN does not become set during a transmit sequence. Failing to do this may result in unpredictable EUSART operation.

# PIC18F87K90 FAMILY

**FIGURE 22-1: AUTOMATIC BAUD RATE CALCULATION**



**FIGURE 22-2: BRG OVERFLOW SEQUENCE**



## 22.2 EUSART Asynchronous Mode

The Asynchronous mode of operation is selected by clearing the SYNC bit (TXSTAx<4>). In this mode, the EUSART uses standard Non-Return-to-Zero (NRZ) format (one Start bit, eight or nine data bits and one Stop bit). The most common data format is 8 bits. An on-chip, dedicated 8-bit/16-bit Baud Rate Generator can be used to derive standard baud rate frequencies from the oscillator.

The EUSART transmits and receives the LSb first. The EUSART's transmitter and receiver are functionally independent but use the same data format and baud rate. The Baud Rate Generator produces a clock, either x16 or x64 of the bit shift rate, depending on the BRGH and BRG16 bits (TXSTAx<2> and BAUDCONx<3>). Parity is not supported by the hardware but can be implemented in software and stored as the 9th data bit.

When operating in Asynchronous mode, the EUSART module consists of the following important elements:

- Baud Rate Generator
- Sampling Circuit
- Asynchronous Transmitter
- Asynchronous Receiver
- Auto-Wake-up on Sync Break Character
- 12-Bit Break Character Transmit
- Auto-Baud Rate Detection

### 22.2.1 EUSART ASYNCHRONOUS TRANSMITTER

The EUSART transmitter block diagram is shown in Figure 22-3. The heart of the transmitter is the Transmit (Serial) Shift Register (TSR). The Shift register obtains its data from the Read/Write Transmit Buffer register, TXREGx. The TXREGx register is loaded with data in software. The TSR register is not loaded until the Stop bit has been transmitted from the previous load. As soon as the Stop bit is transmitted, the TSR is loaded with new data from the TXREGx register (if available).

Once the TXREGx register transfers the data to the TSR register (occurs in one Tcy), the TXREGx register is empty and the TXxIF flag bit is set. This interrupt can be enabled or disabled by setting or clearing the interrupt enable bit, TXxIE. TXxIF will be set regardless of the state of TXxIE; it cannot be cleared in software. TXxIF is also not cleared immediately upon loading TXREGx, but becomes valid in the second instruction cycle following the load instruction. Polling TXxIF immediately following a load of TXREGx will return invalid results.

While TXxIF indicates the status of the TXREGx register; another bit, TRMT (TXSTAx<1>), shows the status of the TSR register. TRMT is a read-only bit which is set when the TSR register is empty. No interrupt logic is tied to this bit so the user has to poll this bit in order to determine if the TSR register is empty.

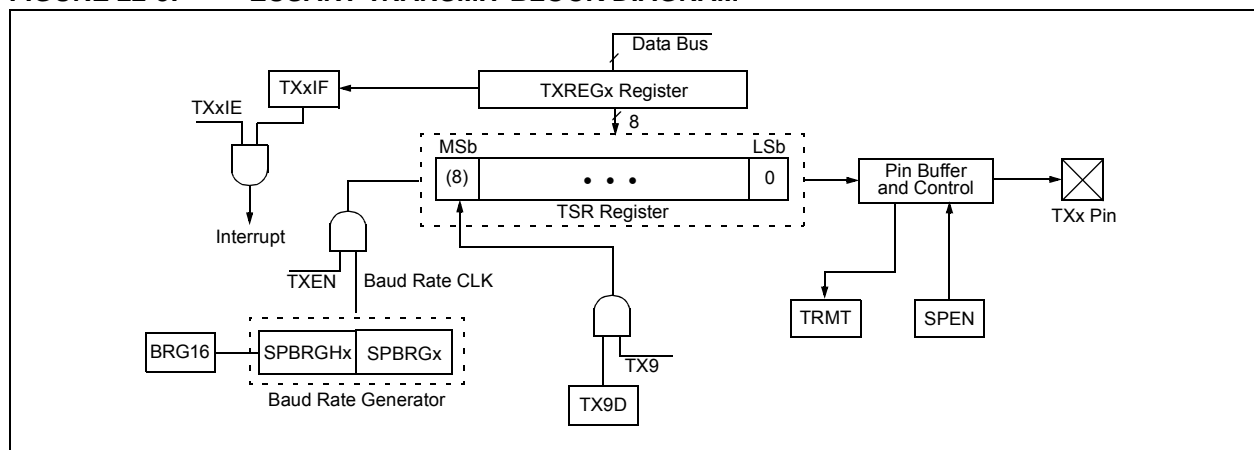
**Note 1:** The TSR register is not mapped in data memory, so it is not available to the user.

**2:** Flag bit, TXxIF, is set when enable bit, TXEN, is set.

To set up an Asynchronous Transmission:

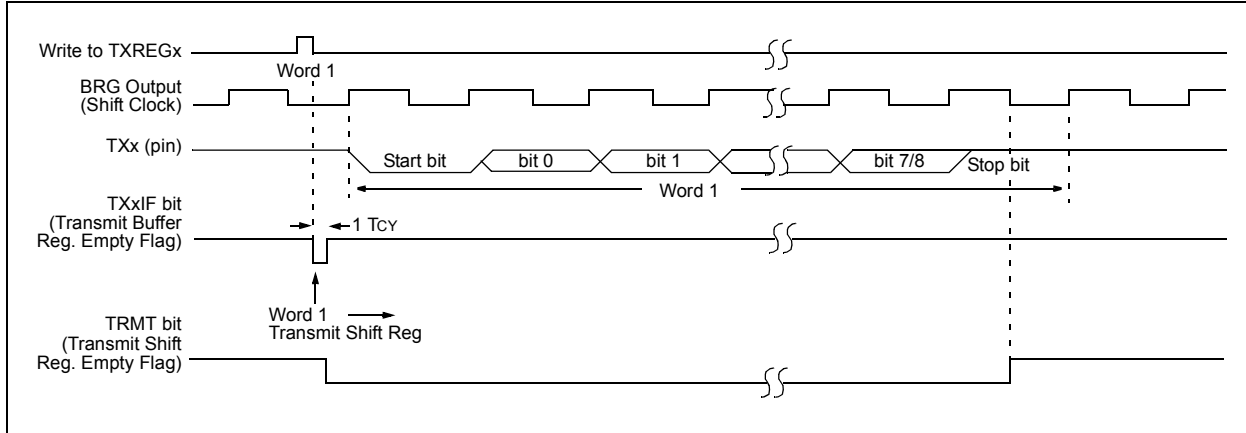
1. Initialize the SPBRGHx:SPBRGx registers for the appropriate baud rate. Set or clear the BRGH and BRG16 bits, as required, to achieve the desired baud rate.
2. Enable the asynchronous serial port by clearing bit, SYNC, and setting bit, SPEN.
3. If interrupts are desired, set enable bit, TXxIE.
4. If 9-bit transmission is desired, set transmit bit, TX9; can be used as an address/data bit.
5. Enable the transmission by setting bit, TXEN, which will also set bit, TXxIF.
6. If 9-bit transmission is selected, the ninth bit should be loaded in bit, TX9D.
7. Load data to the TXREGx register (starts transmission).
8. If using interrupts, ensure that the GIE and PEIE bits in the INTCON register (INTCON<7:6>) are set.

**FIGURE 22-3: EUSART TRANSMIT BLOCK DIAGRAM**

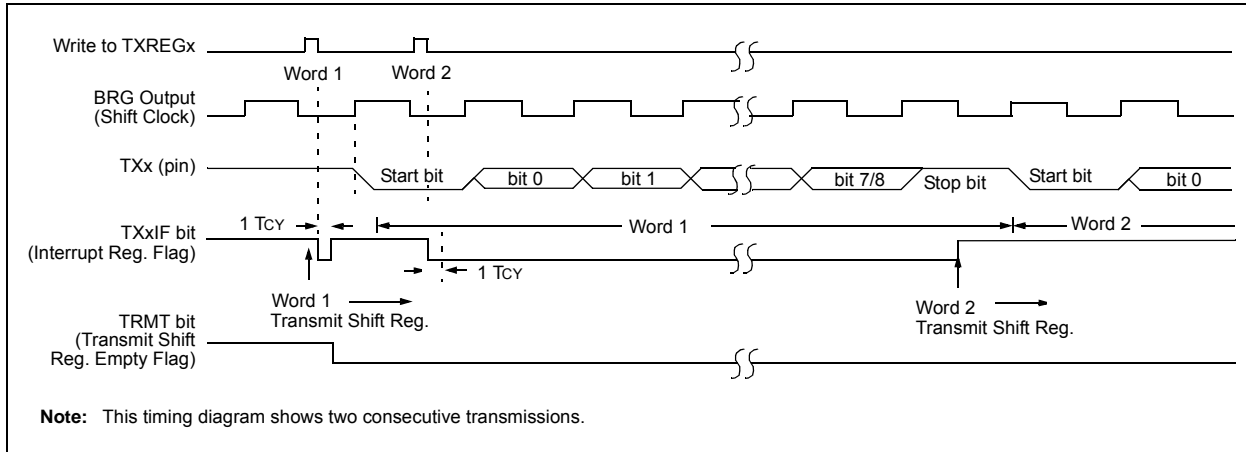


# PIC18F87K90 FAMILY

**FIGURE 22-4: ASYNCHRONOUS TRANSMISSION**



**FIGURE 22-5: ASYNCHRONOUS TRANSMISSION (BACK-TO-BACK)**





# PIC18F87K90 FAMILY

**TABLE 22-5: REGISTERS ASSOCIATED WITH ASYNCHRONOUS TRANSMISSION**

| Name     | Bit 7  | Bit 6     | Bit 5  | Bit 4  | Bit 3  | Bit 2   | Bit 1  | Bit 0  | Reset Values on Page: |
|----------|--|-----------|--------|--------|--------|---------|--------|--------|-----------------------|
| INTCON   | GIE/GIEH                                       | PEIE/GIEL | TMR0IE | INT0IE | RBIE   | TMR0IF  | INT0IF | RBIF   | 75                    |
| PIR1     | —  | ADIF      | RC1IF  | TX1IF  | SSP1IF | TMR1GIF | TMR2IF | TMR1IF | 77                    |
| PIE1     | —  | ADIE      | RC1IE  | TX1IE  | SSP1IE | TMR1GIE | TMR2IE | TMR1IE | 77                    |
| IPR1     | —  | ADIP      | RC1IP  | TX1IP  | SSP1IP | TMR1GIP | TMR2IP | TMR1IP | 77                    |
| PIR3     | TMR5GIF  | LCDIF     | RC2IF  | TX2IF  | CTMUIF | CCP2IF  | CCP1IF | RTCCIF | 77                    |
| PIE3     | TMR5GIE  | LCDIE     | RC2IE  | TX2IE  | CTMUIE | CCP2IE  | CCP1IE | RTCCIE | 77                    |
| IPR3     | TMR5GIP  | LCDIP     | RC2IP  | TX2IP  | CTMUIP | CCP2IP  | CCP1IP | RTCCIP | 77                    |
| RCSTA1   | SPEN   | RX9       | SREN   | CREN   | ADDEN  | FERR    | OERR   | RX9D   | 77                    |
| TXREG1   | EUSART1 Transmit Register                      |           |        |        |        |         |        |        | 77                    |
| TXSTA1   | CSRC   | TX9       | TXEN   | SYNC   | SENDB  | BRGH    | TRMT   | TX9D   | 77                    |
| BAUDCON1 | ABDOVF   | RCIDL     | RXDTP  | TXCKP  | BRG16  | —       | WUE    | ABDEN  | 79                    |
| SPBRGH1  | EUSART1 Baud Rate Generator Register High Byte |           |        |        |        |         |        |        | 76                    |
| SPBRG1   | EUSART1 Baud Rate Generator Register Low Byte  |           |        |        |        |         |        |        | 77                    |
| RCSTA2   | SPEN   | RX9       | SREN   | CREN   | ADDEN  | FERR    | OERR   | RX9D   | 81                    |
| TXREG2   | EUSART2 Transmit Register                      |           |        |        |        |         |        |        | 82                    |
| TXSTA2   | CSRC   | TX9       | TXEN   | SYNC   | SENDB  | BRGH    | TRMT   | TX9D   | 81                    |
| BAUDCON2 | ABDOVF   | RCIDL     | RXDTP  | TXCKP  | BRG16  | —       | WUE    | ABDEN  | 81                    |
| SPBRGH2  | EUSART2 Baud Rate Generator Register High Byte |           |        |        |        |         |        |        | 82                    |
| SPBRG2   | EUSART2 Baud Rate Generator Register Low Byte  |           |        |        |        |         |        |        | 82                    |

**Legend:** — = unimplemented locations read as '0'. Shaded cells are not used for asynchronous transmission.

# PIC18F87K90 FAMILY

## 22.2.2 EUSART ASYNCHRONOUS RECEIVER

The receiver block diagram is shown in [Figure 22-6](#). The data is received on the RXx pin and drives the data recovery block. The data recovery block is actually a high-speed shifter operating at x16 times the baud rate, whereas the main receive serial shifter operates at the bit rate or at Fosc. This mode would typically be used in RS-232 systems.

To set up an Asynchronous Reception:

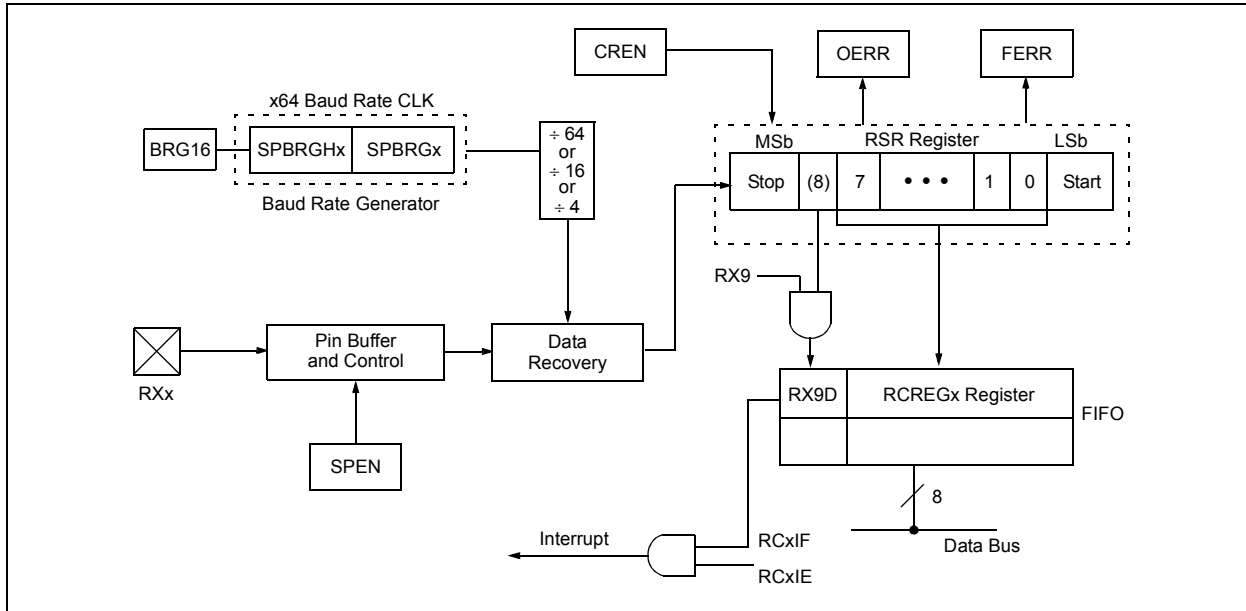
1. Initialize the SPBRGHx:SPBRGx registers for the appropriate baud rate. Set or clear the BRGH and BRG16 bits, as required, to achieve the desired baud rate.
2. Enable the asynchronous serial port by clearing bit, SYNC, and setting bit, SPEN.
3. If interrupts are desired, set enable bit, RCxIE.
4. If 9-bit reception is desired, set bit, RX9.
5. Enable the reception by setting bit, CREN.
6. Flag bit, RCxIF, will be set when reception is complete and an interrupt will be generated if enable bit, RCxIE, was set.
7. Read the RCSTAx register to get the 9th bit (if enabled) and determine if any error occurred during reception.
8. Read the 8-bit received data by reading the RCREGx register.
9. If any error occurred, clear the error by clearing enable bit, CREN.
10. If using interrupts, ensure that the GIE and PEIE bits in the INTCON register (INTCON<7:6>) are set.

## 22.2.3 SETTING UP 9-BIT MODE WITH ADDRESS DETECT

This mode would typically be used in RS-485 systems. To set up an Asynchronous Reception with Address Detect Enable:

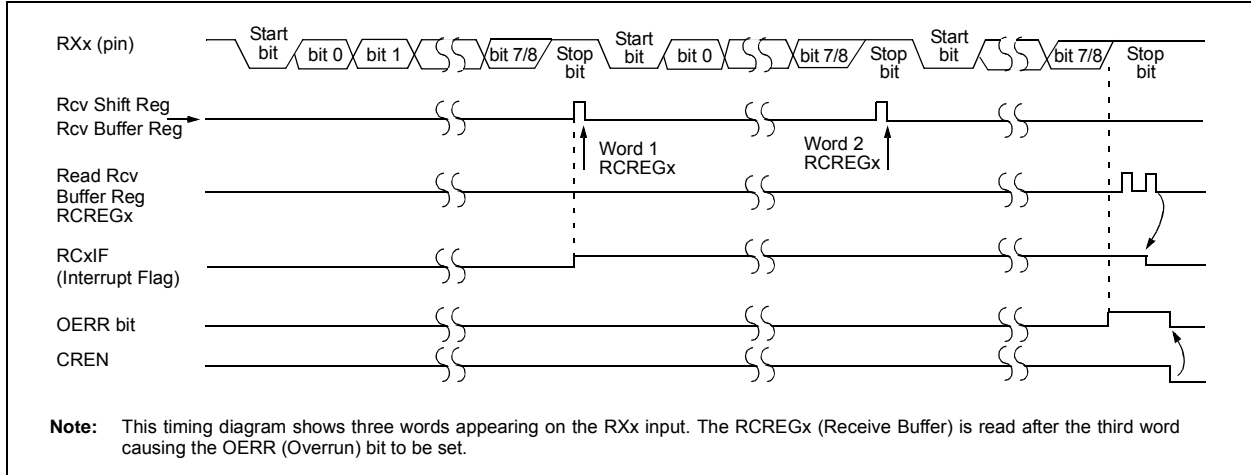
1. Initialize the SPBRGHx:SPBRGx registers for the appropriate baud rate. Set or clear the BRGH and BRG16 bits, as required, to achieve the desired baud rate.
2. Enable the asynchronous serial port by clearing the SYNC bit and setting the SPEN bit.
3. If interrupts are required, set the RCEN bit and select the desired priority level with the RCxIP bit.
4. Set the RX9 bit to enable 9-bit reception.
5. Set the ADDEN bit to enable address detect.
6. Enable reception by setting the CREN bit.
7. The RCxIF bit will be set when reception is complete. The interrupt will be Acknowledged if the RCxIE and GIE bits are set.
8. Read the RCSTAx register to determine if any error occurred during reception, as well as read bit 9 of data (if applicable).
9. Read RCREGx to determine if the device is being addressed.
10. If any error occurred, clear the CREN bit.
11. If the device has been addressed, clear the ADDEN bit to allow all received data into the receive buffer and interrupt the CPU.

**FIGURE 22-6: EUSART RECEIVE BLOCK DIAGRAM**



# PIC18F87K90 FAMILY

**FIGURE 22-7: ASYNCHRONOUS RECEPTION**



**TABLE 22-6: REGISTERS ASSOCIATED WITH ASYNCHRONOUS RECEPTION**

| Name     | Bit 7  | Bit 6     | Bit 5  | Bit 4  | Bit 3  | Bit 2   | Bit 1  | Bit 0  | Reset Values on Page: |
|----------|--|-----------|--------|--------|--------|---------|--------|--------|-----------------------|
| INTCON   | GIE/GIEH                                       | PEIE/GIEL | TMR0IE | INT0IE | RBIE   | TMR0IF  | INT0IF | RBIF   | 75                    |
| PIR1     | —  | ADIF      | RC1IF  | TX1IF  | SSP1IF | TMR1GIF | TMR2IF | TMR1IF | 77                    |
| PIE1     | —  | ADIE      | RC1IE  | TX1IE  | SSP1IE | TMR1GIE | TMR2IE | TMR1IE | 77                    |
| IPR1     | —  | ADIP      | RC1IP  | TX1IP  | SSP1IP | TMR1GIP | TMR2IP | TMR1IP | 77                    |
| PIR3     | TMR5GIF  | LCDIF     | RC2IF  | TX2IF  | CTMUIF | CCP2IF  | CCP1IF | RTCCIF | 77                    |
| PIE3     | TMR5GIE  | LCDIE     | RC2IE  | TX2IE  | CTMUIE | CCP2IE  | CCP1IE | RTCCIE | 77                    |
| IPR3     | TMR5GIP  | LCDIP     | RC2IP  | TX2IP  | CTMUIP | CCP2IP  | CCP1IP | RTCCIP | 77                    |
| RCSTA1   | SPEN   | RX9       | SREN   | CREN   | ADDEN  | FERR    | OERR   | RX9D   | 77                    |
| RCREG1   | EUSART1 Receive Register                       |           |        |        |        |         |        |        | 77                    |
| TXSTA1   | CSRC   | TX9       | TXEN   | SYNC   | SEnDB  | BRGH    | TRMT   | TX9D   | 77                    |
| BAUDCON1 | ABDOVF   | RCIDL     | RXDTP  | TXCKP  | BRG16  | —       | WUE    | ABDEN  | 79                    |
| SPBRGH1  | EUSART1 Baud Rate Generator Register High Byte |           |        |        |        |         |        |        | 76                    |
| SPBRG1   | EUSART1 Baud Rate Generator Register Low Byte  |           |        |        |        |         |        |        | 77                    |
| RCSTA2   | SPEN   | RX9       | SREN   | CREN   | ADDEN  | FERR    | OERR   | RX9D   | 81                    |
| RCREG2   | EUSART2 Receive Register                       |           |        |        |        |         |        |        | 82                    |
| TXSTA2   | CSRC   | TX9       | TXEN   | SYNC   | SEnDB  | BRGH    | TRMT   | TX9D   | 81                    |
| BAUDCON2 | ABDOVF   | RCIDL     | RXDTP  | TXCKP  | BRG16  | —       | WUE    | ABDEN  | 81                    |
| SPBRGH2  | EUSART2 Baud Rate Generator Register High Byte |           |        |        |        |         |        |        | 82                    |
| SPBRG2   | EUSART2 Baud Rate Generator Register Low Byte  |           |        |        |        |         |        |        | 82                    |

**Legend:** — = unimplemented locations read as '0'. Shaded cells are not used for asynchronous reception.

# PIC18F87K90 FAMILY

---

## 22.2.4 AUTO-WAKE-UP ON SYNC BREAK CHARACTER

During Sleep mode, all clocks to the EUSART are suspended. Because of this, the Baud Rate Generator is inactive and a proper byte reception cannot be performed. The auto-wake-up feature allows the controller to wake-up due to activity on the RXx/DTx line while the EUSART is operating in Asynchronous mode.

The auto-wake-up feature is enabled by setting the WUE bit (BAUDCONx<1>). Once set, the typical receive sequence on RXx/DTx is disabled and the EUSART remains in an Idle state, monitoring for a wake-up event independent of the CPU mode. A wake-up event consists of a high-to-low transition on the RXx/DTx line. (This coincides with the start of a Sync Break or a Wake-up Signal character for the LIN/J2602 protocol.)

Following a wake-up event, the module generates an RCxIF interrupt. The interrupt is generated synchronously to the Q clocks in normal operating modes (Figure 22-8) and asynchronously if the device is in Sleep mode (Figure 22-9). The interrupt condition is cleared by reading the RCREGx register.

The WUE bit is automatically cleared once a low-to-high transition is observed on the RXx line following the wake-up event. At this point, the EUSART module is in Idle mode and returns to normal operation. This signals to the user that the Sync Break event is over.

## 22.2.4.1 Special Considerations Using Auto-Wake-up

Since auto-wake-up functions by sensing rising edge transitions on RXx/DTx, information with any state changes before the Stop bit may signal a false End-of-Character (EOC) and cause data or framing errors. To work properly, therefore, the initial character in the transmission must be all '0's. This can be 00h (8 bits) for standard RS-232 devices or 000h (12 bits) for LIN/J2602 bus.

Oscillator start-up time must also be considered, especially in applications using oscillators with longer start-up intervals (i.e., HS or HSPLL mode). The Sync Break (or Wake-up Signal) character must be of sufficient length and be followed by a sufficient interval to allow enough time for the selected oscillator to start and provide proper initialization of the EUSART.

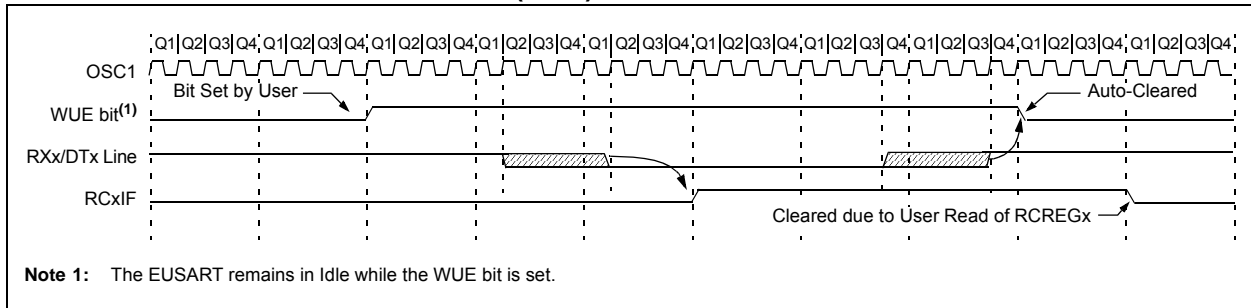
## 22.2.4.2 Special Considerations Using the WUE Bit

The timing of WUE and RCxIF events may cause some confusion when it comes to determining the validity of received data. As noted, setting the WUE bit places the EUSART in an Idle mode. The wake-up event causes a receive interrupt by setting the RCxIF bit. The WUE bit is cleared after this when a rising edge is seen on RXx/DTx. The interrupt condition is then cleared by reading the RCREGx register. Ordinarily, the data in RCREGx will be dummy data and should be discarded.

The fact that the WUE bit has been cleared (or is still set) and the RCxIF flag is set should not be used as an indicator of the integrity of the data in RCREGx. Users should consider implementing a parallel method in firmware to verify received data integrity.

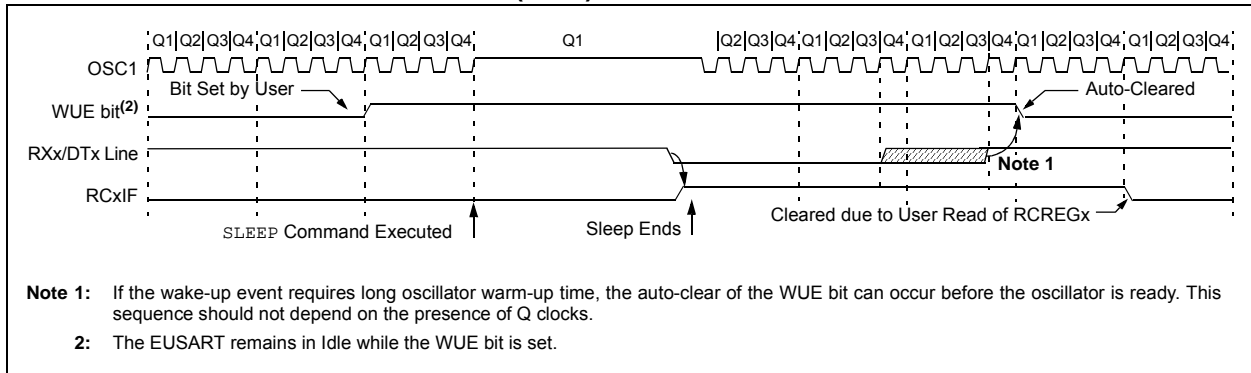
To assure that no actual data is lost, check the RCIDL bit to verify that a receive operation is not in process. If a receive operation is not occurring, the WUE bit may then be set just prior to entering Sleep mode.

**FIGURE 22-8: AUTO-WAKE-UP BIT (WUE) TIMINGS DURING NORMAL OPERATION**



**Note 1:** The EUSART remains in Idle while the WUE bit is set.

**FIGURE 22-9: AUTO-WAKE-UP BIT (WUE) TIMINGS DURING SLEEP**



**Note 1:** If the wake-up event requires long oscillator warm-up time, the auto-clear of the WUE bit can occur before the oscillator is ready. This sequence should not depend on the presence of Q clocks.

**2:** The EUSART remains in Idle while the WUE bit is set.

# PIC18F87K90 FAMILY

## 22.2.5 BREAK CHARACTER SEQUENCE

The EUSART module has the capability of sending the special Break character sequences that are required by the LIN/J2602 bus standard. The Break character transmit consists of a Start bit, followed by twelve '0' bits and a Stop bit. The Frame Break character is sent whenever the SENDB and TXEN bits (TXSTAx<3> and TXSTAx<5>, respectively) are set while the Transmit Shift Register is loaded with data. Note that the value of data written to TXREGx will be ignored and all '0's will be transmitted.

The SENDB bit is automatically reset by hardware after the corresponding Stop bit is sent. This allows the user to preload the transmit FIFO with the next transmit byte following the Break character (typically, the Sync character in the LIN/J2602 specification).

Note that the data value written to the TXREGx for the Break character is ignored. The write simply serves the purpose of initiating the proper sequence.

The TRMT bit indicates when the transmit operation is active or Idle, just as it does during normal transmission. See [Figure 22-10](#) for the timing of the Break character sequence.

### 22.2.5.1 Break and Sync Transmit Sequence

The following sequence will send a message frame header made up of a Break, followed by an Auto-Baud Sync byte. This sequence is typical of a LIN/J2602 bus master.

1. Configure the EUSART for the desired mode.
2. Set the TXEN and SENDB bits to set up the Break character.
3. Load the TXREGx with a dummy character to initiate transmission (the value is ignored).
4. Write '55h' to TXREGx to load the Sync character into the transmit FIFO buffer.
5. After the Break has been sent, the SENDB bit is reset by hardware. The Sync character now transmits in the preconfigured mode.

When the TXREGx becomes empty, as indicated by the TXxIF, the next data byte can be written to TXREGx.

## 22.2.6 RECEIVING A BREAK CHARACTER

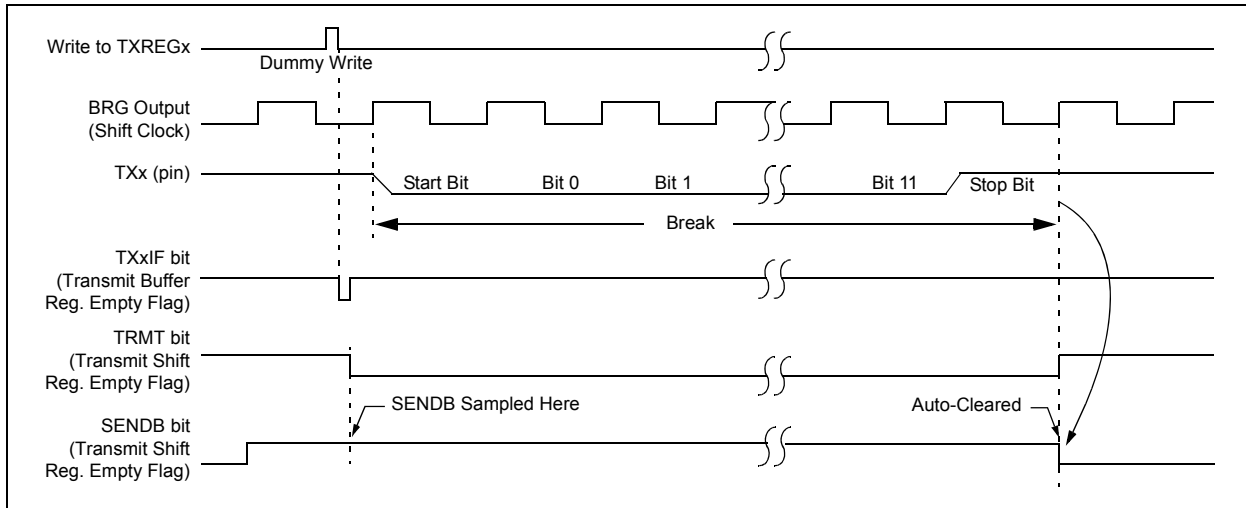
The Enhanced USART module can receive a Break character in two ways.

The first method forces configuration of the baud rate at a frequency of 9/13 the typical speed. This allows for the Stop bit transition to be at the correct sampling location (13 bits for Break versus Start bit and 8 data bits for typical data).

The second method uses the auto-wake-up feature described in [Section 22.2.4 "Auto-Wake-up on Sync Break Character"](#). By enabling this feature, the EUSART will sample the next two transitions on RXx/DTx, cause an RCxIF interrupt and receive the next data byte followed by another interrupt.

Note that following a Break character, the user will typically want to enable the Auto-Baud Rate Detect feature. For both methods, the user can set the ABDEN bit once the TXxIF interrupt is observed.

**FIGURE 22-10: SEND BREAK CHARACTER SEQUENCE**



## 22.3 EUSART Synchronous Master Mode

The Synchronous Master mode is entered by setting the CSRC bit (TXSTAx<7>). In this mode, the data is transmitted in a half-duplex manner (i.e., transmission and reception do not occur at the same time). When transmitting data, the reception is inhibited and vice versa. Synchronous mode is entered by setting bit, SYNC (TXSTAx<4>). In addition, enable bit, SPEN (RCSTAx<7>), is set in order to configure the TXx and RXx pins to CKx (clock) and DTx (data) lines, respectively.

The Master mode indicates that the processor transmits the master clock on the CKx line. Clock polarity is selected with the TXCKP bit (BAUDCONx<4>). Setting TXCKP sets the Idle state on CKx as high, while clearing the bit sets the Idle state as low. This option is provided to support Microwire devices with this module.

### 22.3.1 EUSART SYNCHRONOUS MASTER TRANSMISSION

The EUSART transmitter block diagram is shown in [Figure 22-3](#). The heart of the transmitter is the Transmit (Serial) Shift Register (TSR). The TSR register obtains its data from the Read/Write Transmit Buffer register, TXREGx. The TXREGx register is loaded with data in software. The TSR register is not loaded until the last bit has been transmitted from the previous load. As soon as the last bit is transmitted, the TSR is loaded with new data from the TXREGx (if available).

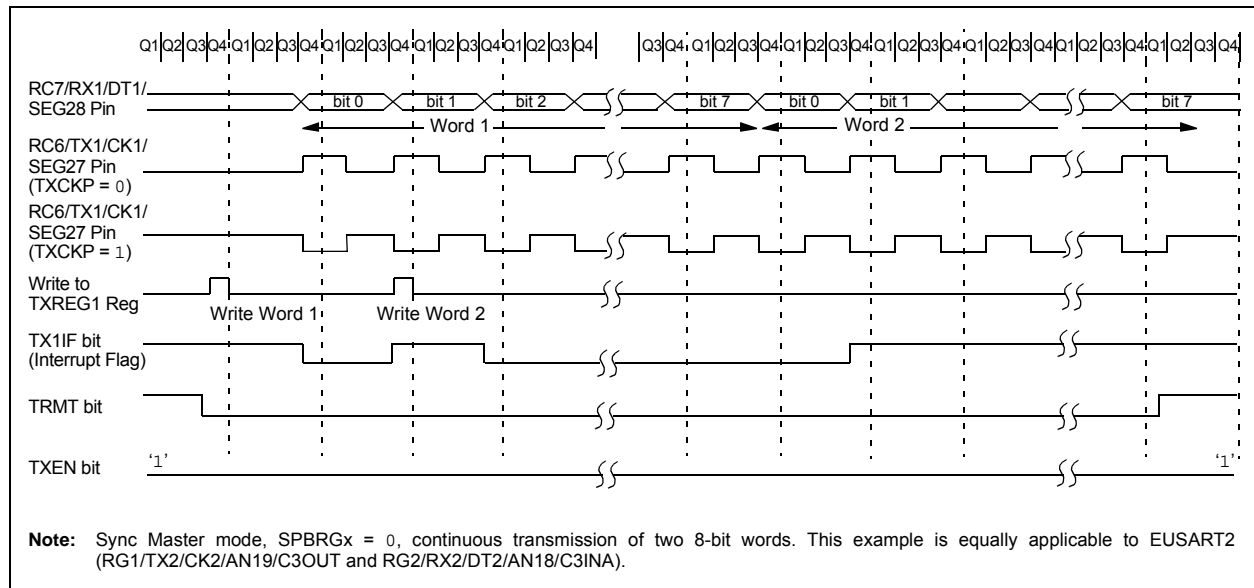
Once the TXREGx register transfers the data to the TSR register (occurs in one T<sub>CY</sub>), the TXREGx is empty and the TXxIF flag bit is set. The interrupt can be enabled or disabled by setting or clearing the interrupt enable bit, TXxIE. TXxIF is set regardless of the state of enable bit, TXxIE; it cannot be cleared in software. It will reset only when new data is loaded into the TXREGx register.

While flag bit, TXxIF, indicates the status of the TXREGx register, another bit, TRMT (TXSTAx<1>), shows the status of the TSR register. TRMT is a read-only bit which is set when the TSR is empty. No interrupt logic is tied to this bit, so the user must poll this bit in order to determine if the TSR register is empty. The TSR is not mapped in data memory so it is not available to the user.

To set up a Synchronous Master Transmission:

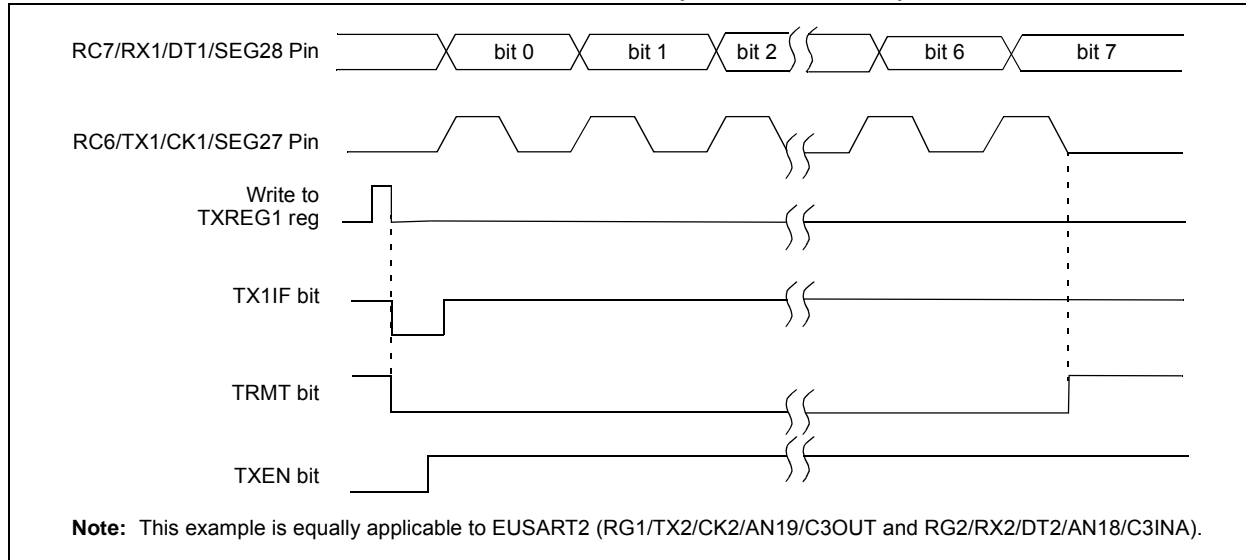
1. Initialize the SPBRGHx:SPBRGx registers for the appropriate baud rate. Set or clear the BRG16 bit, as required, to achieve the desired baud rate.
2. Enable the synchronous master serial port by setting bits, SYNC, SPEN and CSRC.
3. If interrupts are desired, set enable bit, TXxIE.
4. If 9-bit transmission is desired, set bit, TX9.
5. Enable the transmission by setting bit, TXEN.
6. If 9-bit transmission is selected, the ninth bit should be loaded in bit, TX9D.
7. Start transmission by loading data to the TXREGx register.
8. If using interrupts, ensure that the GIE and PEIE bits in the INTCON register (INTCON<7:6>) are set.

**FIGURE 22-11: SYNCHRONOUS TRANSMISSION**



# PIC18F87K90 FAMILY

**FIGURE 22-12: SYNCHRONOUS TRANSMISSION (THROUGH TXEN)**



**TABLE 22-7: REGISTERS ASSOCIATED WITH SYNCHRONOUS MASTER TRANSMISSION**

| Name     | Bit 7  | Bit 6     | Bit 5  | Bit 4  | Bit 3  | Bit 2   | Bit 1  | Bit 0  | Reset Values on Page: |
|----------|--|-----------|--------|--------|--------|---------|--------|--------|-----------------------|
| INTCON   | GIE/GIEH                                       | PEIE/GIEL | TMR0IE | INT0IE | RBIE   | TMR0IF  | INT0IF | RBIF   | 75                    |
| PIR1     | —  | ADIF      | RC1IF  | TX1IF  | SSP1IF | TMR1GIF | TMR2IF | TMR1IF | 77                    |
| PIE1     | —  | ADIE      | RC1IE  | TX1IE  | SSP1IE | TMR1GIE | TMR2IE | TMR1IE | 77                    |
| IPR1     | —  | ADIP      | RC1IP  | TX1IP  | SSP1IP | TMR1GIP | TMR2IP | TMR1IP | 77                    |
| PIR3     | TMR5GIF  | LCDIF     | RC2IF  | TX2IF  | CTMUIF | CCP2IF  | CCP1IF | RTCCIF | 77                    |
| PIE3     | TMR5GIE  | LCDIE     | RC2IE  | TX2IE  | CTMUIE | CCP2IE  | CCP1IE | RTCCIE | 77                    |
| IPR3     | TMR5GIP  | LCDIP     | RC2IP  | TX2IP  | CTMUIP | CCP2IP  | CCP1IP | RTCCIP | 77                    |
| RCSTA1   | SPEN   | RX9       | SREN   | CREN   | ADDEN  | FERR    | OERR   | RX9D   | 77                    |
| TXREG1   | EUSART1 Transmit Register                      |           |        |        |        |         |        |        | 77                    |
| TXSTA1   | CSRC   | TX9       | TXEN   | SYNC   | SENDB  | BRGH    | TRMT   | TX9D   | 77                    |
| BAUDCON1 | ABDOVF   | RCIDL     | RXDTP  | TXCKP  | BRG16  | —       | WUE    | ABDEN  | 79                    |
| SPBRGH1  | EUSART1 Baud Rate Generator Register High Byte |           |        |        |        |         |        |        | 76                    |
| SPBRG1   | EUSART1 Baud Rate Generator Register Low Byte  |           |        |        |        |         |        |        | 77                    |
| RCSTA2   | SPEN   | RX9       | SREN   | CREN   | ADDEN  | FERR    | OERR   | RX9D   | 81                    |
| TXREG2   | EUSART2 Transmit Register                      |           |        |        |        |         |        |        | 82                    |
| TXSTA2   | CSRC   | TX9       | TXEN   | SYNC   | SENDB  | BRGH    | TRMT   | TX9D   | 81                    |
| BAUDCON2 | ABDOVF   | RCIDL     | RXDTP  | TXCKP  | BRG16  | —       | WUE    | ABDEN  | 81                    |
| SPBRGH2  | EUSART2 Baud Rate Generator Register High Byte |           |        |        |        |         |        |        | 82                    |
| SPBRG2   | EUSART2 Baud Rate Generator Register Low Byte  |           |        |        |        |         |        |        | 82                    |

**Legend:** — = unimplemented, read as '0'. Shaded cells are not used for synchronous master transmission.



## 22.3.2 EUSART SYNCHRONOUS MASTER RECEPTION

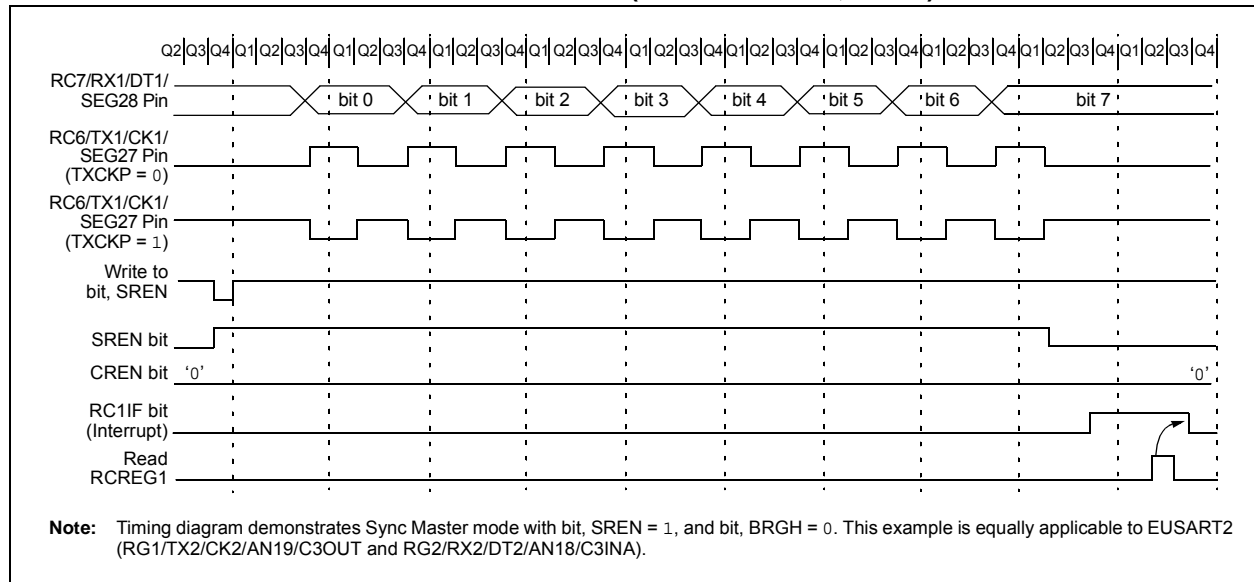
Once Synchronous mode is selected, reception is enabled by setting either the Single Receive Enable bit, SREN (RCSTAx<5>), or the Continuous Receive Enable bit, CREN (RCSTAx<4>). Data is sampled on the RXx pin on the falling edge of the clock.

If enable bit, SREN, is set, only a single word is received. If enable bit, CREN, is set, the reception is continuous until CREN is cleared. If both bits are set, then CREN takes precedence.

To set up a Synchronous Master Reception:

1. Initialize the SPBRGHx:SPBRGx registers for the appropriate baud rate. Set or clear the BRG16 bit, as required, to achieve the desired baud rate.
2. Enable the synchronous master serial port by setting bits, SYNC, SPEN and CSRC.
3. Ensure bits, CREN and SREN, are clear.
4. If interrupts are desired, set enable bit, RCxIE.
5. If 9-bit reception is desired, set bit, RX9.
6. If a single reception is required, set bit, SREN. For continuous reception, set bit, CREN.
7. Interrupt flag bit, RCxIF, will be set when reception is complete and an interrupt will be generated if the enable bit, RCxIE, was set.
8. Read the RCSTAx register to get the 9th bit (if enabled) and determine if any error occurred during reception.
9. Read the 8-bit received data by reading the RCREGx register.
10. If any error occurred, clear the error by clearing bit CREN.
11. If using interrupts, ensure that the GIE and PEIE bits in the INTCON register (INTCON<7:6>) are set.

**FIGURE 22-13: SYNCHRONOUS RECEPTION (MASTER MODE, SREN)**



# PIC18F87K90 FAMILY

**TABLE 22-8: REGISTERS ASSOCIATED WITH SYNCHRONOUS MASTER RECEPTION**

| Name     | Bit 7  | Bit 6     | Bit 5  | Bit 4  | Bit 3  | Bit 2   | Bit 1  | Bit 0  | Reset Values on Page: |
|----------|--|-----------|--------|--------|--------|---------|--------|--------|-----------------------|
| INTCON   | GIE/GIEH                                       | PEIE/GIEL | TMR0IE | INT0IE | RBIE   | TMR0IF  | INT0IF | RBIF   | 75                    |
| PIR1     | —  | ADIF      | RC1IF  | TX1IF  | SSP1IF | TMR1GIF | TMR2IF | TMR1IF | 77                    |
| PIE1     | —  | ADIE      | RC1IE  | TX1IE  | SSP1IE | TMR1GIE | TMR2IE | TMR1IE | 77                    |
| IPR1     | —  | ADIP      | RC1IP  | TX1IP  | SSP1IP | TMR1GIP | TMR2IP | TMR1IP | 77                    |
| PIR3     | TMR5GIF  | LCDIF     | RC2IF  | TX2IF  | CTMUIF | CCP2IF  | CCP1IF | RTCCIF | 77                    |
| PIE3     | TMR5GIE  | LCDIE     | RC2IE  | TX2IE  | CTMUIE | CCP2IE  | CCP1IE | RTCCIE | 77                    |
| IPR3     | TMR5GIP  | LCDIP     | RC2IP  | TX2IP  | CTMUIP | CCP2IP  | CCP1IP | RTCCIP | 77                    |
| RCSTA1   | SPEN   | RX9       | SREN   | CREN   | ADDEN  | FERR    | OERR   | RX9D   | 77                    |
| RCREG1   | EUSART1 Receive Register                       |           |        |        |        |         |        |        | 77                    |
| TXSTA1   | CSRC   | TX9       | TXEN   | SYNC   | SENDB  | BRGH    | TRMT   | TX9D   | 77                    |
| BAUDCON1 | ABDOVF   | RCIDL     | RXDTP  | TXCKP  | BRG16  | —       | WUE    | ABDEN  | 79                    |
| SPBRGH1  | EUSART1 Baud Rate Generator Register High Byte |           |        |        |        |         |        |        | 76                    |
| SPBRG1   | EUSART1 Baud Rate Generator Register Low Byte  |           |        |        |        |         |        |        | 77                    |
| RCSTA2   | SPEN   | RX9       | SREN   | CREN   | ADDEN  | FERR    | OERR   | RX9D   | 81                    |
| RCREG2   | EUSART2 Receive Register                       |           |        |        |        |         |        |        | 82                    |
| TXSTA2   | CSRC   | TX9       | TXEN   | SYNC   | SENDB  | BRGH    | TRMT   | TX9D   | 81                    |
| BAUDCON2 | ABDOVF   | RCIDL     | RXDTP  | TXCKP  | BRG16  | —       | WUE    | ABDEN  | 81                    |
| SPBRGH2  | EUSART2 Baud Rate Generator Register High Byte |           |        |        |        |         |        |        | 82                    |
| SPBRG2   | EUSART2 Baud Rate Generator Register Low Byte  |           |        |        |        |         |        |        | 82                    |

**Legend:** — = unimplemented, read as '0'. Shaded cells are not used for synchronous master reception.

# PIC18F87K90 FAMILY

## 22.4 EUSART Synchronous Slave Mode

Synchronous Slave mode is entered by clearing bit, CSRC (TXSTA<7>). This mode differs from the Synchronous Master mode in that the shift clock is supplied externally at the CKx pin (instead of being supplied internally in Master mode). This allows the device to transfer or receive data while in any low-power mode.

### 22.4.1 EUSART SYNCHRONOUS SLAVE TRANSMISSION

The operation of the Synchronous Master and Slave modes is identical, except in the case of Sleep mode.

If two words are written to the TXREGx and then the SLEEP instruction is executed, the following will occur:

- The first word will immediately transfer to the TSR register and transmit.
- The second word will remain in the TXREGx register.
- Flag bit, TXxIF, will not be set.
- When the first word has been shifted out of TSR, the TXREGx register will transfer the second word to the TSR and flag bit, TXxIF, will now be set.

- If enable bit, TXxIE, is set, the interrupt will wake the chip from Sleep. If the global interrupt is enabled, the program will branch to the interrupt vector.

To set up a Synchronous Slave Transmission:

- Enable the synchronous slave serial port by setting bits, SYNC and SPEN, and clearing bit, CSRC.
- Clear bits, CREN and SREN.
- If interrupts are desired, set enable bit, TXxIE.
- If 9-bit transmission is desired, set bit, TX9.
- Enable the transmission by setting enable bit, TXEN.
- If 9-bit transmission is selected, the ninth bit should be loaded in bit, TX9D.
- Start transmission by loading data to the TXREGx register.
- If using interrupts, ensure that the GIE and PEIE bits in the INTCON register (INTCON<7:6>) are set.

**TABLE 22-9: REGISTERS ASSOCIATED WITH SYNCHRONOUS SLAVE TRANSMISSION**

| Name     | Bit 7  | Bit 6     | Bit 5  | Bit 4  | Bit 3  | Bit 2   | Bit 1  | Bit 0  | Reset Values on Page: |
|----------|--|-----------|--------|--------|--------|---------|--------|--------|-----------------------|
| INTCON   | GIE/GIEH                                       | PEIE/GIEL | TMR0IE | INT0IE | RBIE   | TMR0IF  | INT0IF | RBIF   | 75                    |
| PIR1     | —  | ADIF      | RC1IF  | TX1IF  | SSP1IF | TMR1GIF | TMR2IF | TMR1IF | 77                    |
| PIE1     | —  | ADIE      | RC1IE  | TX1IE  | SSP1IE | TMR1GIE | TMR2IE | TMR1IE | 77                    |
| IPR1     | —  | ADIP      | RC1IP  | TX1IP  | SSP1IP | TMR1GIP | TMR2IP | TMR1IP | 77                    |
| PIR3     | TMR5GIF  | LCDIF     | RC2IF  | TX2IF  | CTMUIF | CCP2IF  | CCP1IF | RTCCIF | 77                    |
| PIE3     | TMR5GIE  | LCDIE     | RC2IE  | TX2IE  | CTMUIE | CCP2IE  | CCP1IE | RTCCIE | 77                    |
| IPR3     | TMR5GIP  | LCDIP     | RC2IP  | TX2IP  | CTMUIP | CCP2IP  | CCP1IP | RTCCIP | 77                    |
| RCSTA1   | SPEN   | RX9       | SREN   | CREN   | ADDEN  | FERR    | OERR   | RX9D   | 77                    |
| TXREG1   | EUSART1 Transmit Register                      |           |        |        |        |         |        |        | 77                    |
| TXSTA1   | CSRC   | TX9       | TXEN   | SYNC   | SENDB  | BRGH    | TRMT   | TX9D   | 77                    |
| BAUDCON1 | ABDOVF   | RCIDL     | RXDTP  | TXCKP  | BRG16  | —       | WUE    | ABDEN  | 79                    |
| SPBRGH1  | EUSART1 Baud Rate Generator Register High Byte |           |        |        |        |         |        |        | 76                    |
| SPBRG1   | EUSART1 Baud Rate Generator Register Low Byte  |           |        |        |        |         |        |        | 77                    |
| RCSTA2   | SPEN   | RX9       | SREN   | CREN   | ADDEN  | FERR    | OERR   | RX9D   | 81                    |
| TXREG2   | EUSART2 Transmit Register                      |           |        |        |        |         |        |        | 82                    |
| TXSTA2   | CSRC   | TX9       | TXEN   | SYNC   | SENDB  | BRGH    | TRMT   | TX9D   | 81                    |
| BAUDCON2 | ABDOVF   | RCIDL     | RXDTP  | TXCKP  | BRG16  | —       | WUE    | ABDEN  | 81                    |
| SPBRGH2  | EUSART2 Baud Rate Generator Register High Byte |           |        |        |        |         |        |        | 82                    |
| SPBRG2   | EUSART2 Baud Rate Generator Register Low Byte  |           |        |        |        |         |        |        | 82                    |

**Legend:** — = unimplemented, read as '0'. Shaded cells are not used for synchronous slave transmission.

# PIC18F87K90 FAMILY

## 22.4.2 EUSART SYNCHRONOUS SLAVE RECEPTION

The operation of the Synchronous Master and Slave modes is identical, except in the case of Sleep, or any Idle mode, and bit, SREN, which is a “don’t care” in Slave mode.

If receive is enabled by setting the CREN bit prior to entering Sleep or any Idle mode, then a word may be received while in this low-power mode. Once the word is received, the RSR register will transfer the data to the RCREGx register. If the RCxIE enable bit is set, the interrupt generated will wake the chip from the low-power mode. If the global interrupt is enabled, the program will branch to the interrupt vector.

To set up a Synchronous Slave Reception:

1. Enable the synchronous master serial port by setting bits, SYNC and SPEN, and clearing bit, CSRC.
2. If interrupts are desired, set enable bit, RCxIE.
3. If 9-bit reception is desired, set bit, RX9.
4. To enable reception, set enable bit, CREN.
5. Flag bit, RCxIF, will be set when reception is complete. An interrupt will be generated if enable bit, RCxIE, was set.
6. Read the RCSTAx register to get the 9th bit (if enabled) and determine if any error occurred during reception.
7. Read the 8-bit received data by reading the RCREGx register.
8. If any error occurred, clear the error by clearing bit, CREN.
9. If using interrupts, ensure that the GIE and PEIE bits in the INTCON register (INTCON<7:6>) are set.

**TABLE 22-10: REGISTERS ASSOCIATED WITH SYNCHRONOUS SLAVE RECEPTION**

| Name     | Bit 7  | Bit 6     | Bit 5  | Bit 4  | Bit 3  | Bit 2   | Bit 1  | Bit 0  | Reset Values on Page: |
|----------|--|-----------|--------|--------|--------|---------|--------|--------|-----------------------|
| INTCON   | GIE/GIEH                                       | PEIE/GIEL | TMR0IE | INT0IE | RBIE   | TMR0IF  | INT0IF | RBIF   | 75                    |
| PIR1     | —  | ADIF      | RC1IF  | TX1IF  | SSP1IF | TMR1GIF | TMR2IF | TMR1IF | 77                    |
| PIE1     | —  | ADIE      | RC1IE  | TX1IE  | SSP1IE | TMR1GIE | TMR2IE | TMR1IE | 77                    |
| IPR1     | —  | ADIP      | RC1IP  | TX1IP  | SSP1IP | TMR1GIP | TMR2IP | TMR1IP | 77                    |
| PIR3     | TMR5GIF  | LCDIF     | RC2IF  | TX2IF  | CTMUIF | CCP2IF  | CCP1IF | RTCCIF | 77                    |
| PIE3     | TMR5GIE  | LCDIE     | RC2IE  | TX2IE  | CTMUIE | CCP2IE  | CCP1IE | RTCCIE | 77                    |
| IPR3     | TMR5GIP  | LCDIP     | RC2IP  | TX2IP  | CTMUIP | CCP2IP  | CCP1IP | RTCCIP | 77                    |
| RCSTA1   | SPEN   | RX9       | SREN   | CREN   | ADDEN  | FERR    | OERR   | RX9D   | 77                    |
| RCREG1   | EUSART1 Receive Register                       |           |        |        |        |         |        |        | 77                    |
| TXSTA1   | CSRC   | TX9       | TXEN   | SYNC   | SENDB  | BRGH    | TRMT   | TX9D   | 77                    |
| BAUDCON1 | ABDOVF   | RCIDL     | RXDTP  | TXCKP  | BRG16  | —       | WUE    | ABDEN  | 79                    |
| SPBRGH1  | EUSART1 Baud Rate Generator Register High Byte |           |        |        |        |         |        |        | 76                    |
| SPBRG1   | EUSART1 Baud Rate Generator Register Low Byte  |           |        |        |        |         |        |        | 77                    |
| RCSTA2   | SPEN   | RX9       | SREN   | CREN   | ADDEN  | FERR    | OERR   | RX9D   | 81                    |
| RCREG2   | EUSART2 Receive Register                       |           |        |        |        |         |        |        | 82                    |
| TXSTA2   | CSRC   | TX9       | TXEN   | SYNC   | SENDB  | BRGH    | TRMT   | TX9D   | 81                    |
| BAUDCON2 | ABDOVF   | RCIDL     | RXDTP  | TXCKP  | BRG16  | —       | WUE    | ABDEN  | 81                    |
| SPBRGH2  | EUSART2 Baud Rate Generator Register High Byte |           |        |        |        |         |        |        | 82                    |
| SPBRG2   | EUSART2 Baud Rate Generator Register Low Byte  |           |        |        |        |         |        |        | 82                    |

**Legend:** — = unimplemented, read as ‘0’. Shaded cells are not used for synchronous slave reception.

## 23.0 12-BIT ANALOG-TO-DIGITAL CONVERTER (A/D) MODULE

The Analog-to-Digital (A/D) Converter module in the PIC18F87K90 family of devices has 16 inputs for the 64-pin devices and 24 inputs for the 80-pin devices. This module allows conversion of an analog input signal to a corresponding signed 12-bit digital number.

The module has these registers:

- A/D Control Register 0 (ADCON0)
- A/D Control Register 1 (ADCON1)
- A/D Control Register 2 (ADCON2)
- A/D Port Configuration Register 0 (ANCON0)
- A/D Port Configuration Register 1 (ANCON1)
- A/D Port Configuration Register 2 (ANCON2)
- ADRESH (the upper A/D Results register)
- ADRESL (the lower A/D Results register)

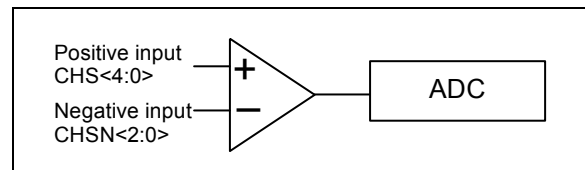
The ADCON0 register, shown in [Register 23-1](#), controls the operation of the A/D module. The ADCON1 register, shown in [Register 23-2](#), configures the voltage reference and special trigger selection. The ADCON2 register, shown in [Register 23-3](#), configures the A/D clock source and programmed acquisition time and justification.

## 23.1 Differential A/D Converter

The converter in PIC18F87K90 family devices is implemented as a differential A/D where the differential voltage between two channels is measured and converted to digital values (see [Figure 23-1](#)).

The converter can also be configured to measure a voltage from a single input by clearing the CHSN bits (ADCON1<2:0>). With this configuration, the negative channel input is connected internally to AVSS (see [Figure 23-2](#)).

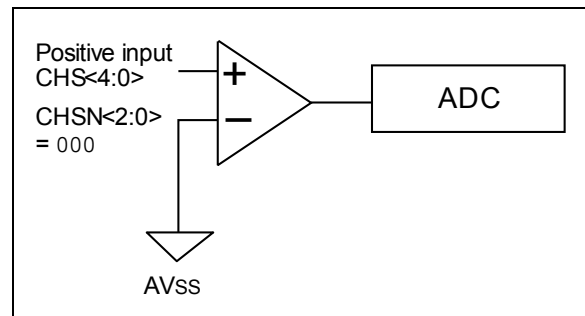
**FIGURE 23-1: DIFFERENTIAL CHANNEL MEASUREMENT**



Differential conversion feeds the two input channels to a unity gain differential amplifier. The positive channel input is selected using the CHS bits (ADCON0<6:2>) and the negative channel input is selected using the CHSN bits (ADCON1<2:0>).

The output from the amplifier is fed to the A/D convert, as shown in [Figure 23-1](#). The 12-bit result is available on the ADRESH and ADRESL registers. There is also a sign bit, along with the 12-bit result, indicating if the result is a positive or negative value.

**FIGURE 23-2: SINGLE CHANNEL MEASUREMENT**



In the Single Channel Measurement mode, the negative input is connected to AVSS by clearing the CHSN bits (ADCON1<2:0>).

# PIC18F87K90 FAMILY

## 23.2 A/D Registers

### 23.2.1 A/D CONTROL REGISTERS

#### REGISTER 23-1: ADCON0: A/D CONTROL REGISTER 0

|       |       |       |       |       |       |         |       |
|-------|-------|-------|-------|-------|-------|---------|-------|
| U-0   | R/W-0 | R/W-0 | R/W-0 | R/W-0 | R/W-0 | R/W-0   | R/W-0 |
| —     | CHS4  | CHS3  | CHS2  | CHS1  | CHS0  | GO/DONE | ADON  |
| bit 7 |       |       |       |       |       |         | bit 0 |

#### Legend:

|                   |                  |                                    |
|-------------------|------------------|------------------------------------|
| R = Readable bit  | W = Writable bit | U = Unimplemented bit, read as '0' |
| -n = Value at POR | '1' = Bit is set | '0' = Bit is cleared               |
|                   |                  | x = Bit is unknown                 |

bit 7 **Unimplemented:** Read as '0'

bit 6-2 **CHS<4:0>:** Analog Channel Select bits

|  |   |
|--|---|
| 00000 = Channel 00 (AN0)                   | 10000 = Channel 16 (AN16)                       |
| 00001 = Channel 01 (AN1)                   | 10001 = Channel 17 (AN17)                       |
| 00010 = Channel 02 (AN2)                   | 10010 = Channel 18 (AN18)                       |
| 00011 = Channel 03 (AN3)                   | 10011 = Channel 19 (AN19)                       |
| 00100 = Channel 04 (AN4)                   | 10100 = Channel 20 (AN20) <sup>(1,2)</sup>      |
| 00101 = Channel 05 (AN5)                   | 10101 = Channel 21 (AN21) <sup>(1,2)</sup>      |
| 00110 = Channel 06 (AN6)                   | 10110 = Channel 22 (AN22) <sup>(1,2)</sup>      |
| 00111 = Channel 07 (AN7)                   | 10111 = Channel 23 (AN23) <sup>(1,2)</sup>      |
| 01000 = Channel 08 (AN8)                   | 11000 = (Reserved) <sup>(2)</sup>               |
| 01001 = Channel 09 (AN9)                   | 11001 = (Reserved) <sup>(2)</sup>               |
| 01010 = Channel 10 (AN10)                  | 11010 = (Reserved) <sup>(2)</sup>               |
| 01011 = Channel 11 (AN11)                  | 11011 = (Reserved) <sup>(2)</sup>               |
| 01100 = Channel 12 (AN12) <sup>(1,2)</sup> | 11100 = Channel 28 (Reserved CTMU)              |
| 01101 = Channel 13 (AN13) <sup>(1,2)</sup> | 11101 = Channel 29 (Internal temperature diode) |
| 01110 = Channel 14 (AN14) <sup>(1,2)</sup> | 11110 = Channel 30 (VDDCORE)                    |
| 01111 = Channel 15 (AN15) <sup>(1,2)</sup> | 11111 = Channel 31 (1.024V band gap)            |

bit 1 **GO/DONE:** A/D Conversion Status bit

- 1 = A/D (or calibration) cycle is in progress. Setting this bit starts an A/D conversion cycle. The bit is cleared automatically by hardware when the A/D conversion is completed.
- 0 = A/D conversion is completed or is not in progress

bit 0 **ADON:** A/D On bit

- 1 = A/D Converter is operating
- 0 = A/D Converter module is shut off and consuming no operating current

**Note 1:** These channels are not implemented on 64-pin devices.

**Note 2:** Performing a conversion on unimplemented channels will return random values.

# PIC18F87K90 FAMILY

## REGISTER 23-2: ADCON1: A/D CONTROL REGISTER 1

| R/W-0    | R/W-0    | R/W-0 | R/W-0 | R/W-0 | R/W-0 | R/W-0 | R/W-0 |
|----------|----------|-------|-------|-------|-------|-------|-------|
| TRIGSEL1 | TRIGSEL0 | VCFG1 | VCFG0 | VNCFG | CHSN2 | CHSN1 | CHSN0 |
| bit 7    |          |       |       |       |       |       | bit 0 |

### Legend:

R = Readable bit

W = Writable bit

U = Unimplemented bit, read as '0'

-n = Value at POR

'1' = Bit is set

'0' = Bit is cleared

x = Bit is unknown

bit 7-6 **TRIGSEL<1:0>**: Special Trigger Select bits  
11 = Selects the special trigger from the RTCC  
10 = Selects the special trigger from the Timer1  
01 = Selects the special trigger from the CTMU  
00 = Selects the special trigger from the ECCP2

bit 5-4 **VCFG<1:0>**: A/D VREF+ Configuration bits  
11 = Internal VREF+ (4.096V)  
10 = Internal VREF+ (2.048V)  
01 = External VREF+  
00 = AVDD

bit 3 **VNCFG**: A/D VREF- Configuration bit  
1 = External VREF  
0 = AVSS

bit 2-0 **CHSN<2:0>**: Analog Negative Channel Select bits  
111 = Channel 07 (AN6)  
110 = Channel 06 (AN5)  
101 = Channel 05 (AN4)  
100 = Channel 04 (AN3)  
011 = Channel 03 (AN2)  
010 = Channel 02 (AN1)  
001 = Channel 01 (AN0)  
000 = Selecting '000' chooses AVSS/external VREF- as a negative channel based on VNCFG

# PIC18F87K90 FAMILY

## REGISTER 23-3: ADCON2: A/D CONTROL REGISTER 2

|       |     |       |       |       |       |       |       |
|-------|-----|-------|-------|-------|-------|-------|-------|
| R/W-0 | U-0 | R/W-0 | R/W-0 | R/W-0 | R/W-0 | R/W-0 | R/W-0 |
| ADFM  | —   | ACQT2 | ACQT1 | ACQT0 | ADCS2 | ADCS1 | ADCS0 |
| bit 7 |     |       |       |       |       |       | bit 0 |

### Legend:

R = Readable bit

W = Writable bit

U = Unimplemented bit, read as '0'

-n = Value at POR

'1' = Bit is set

'0' = Bit is cleared

x = Bit is unknown

- bit 7      **ADFM:** A/D Result Format Select bit  
1 = Right justified  
0 = Left justified
- bit 6      **Unimplemented:** Read as '0'
- bit 5-3    **ACQT<2:0>:** A/D Acquisition Time Select bits  
111 = 20 TAD  
110 = 16 TAD  
101 = 12 TAD  
100 = 8 TAD  
011 = 6 TAD  
010 = 4 TAD  
001 = 2 TAD  
000 = 0 TAD<sup>(1)</sup>
- bit 2-0    **ADCS<2:0>:** A/D Conversion Clock Select bits  
111 = FRC (clock derived from A/D RC oscillator)<sup>(1)</sup>  
110 = FOSC/64  
101 = FOSC/16  
100 = FOSC/4  
011 = FRC (clock derived from A/D RC oscillator)<sup>(1)</sup>  
010 = FOSC/32  
001 = FOSC/8  
000 = FOSC/2

**Note 1:** If the A/D FRC clock source is selected, a delay of one T<sub>cy</sub> (instruction cycle) is added before the A/D clock starts. This allows the *SLEEP* instruction to be executed before starting a conversion.



# PIC18F87K90 FAMILY

## 23.2.2 A/D RESULT REGISTERS

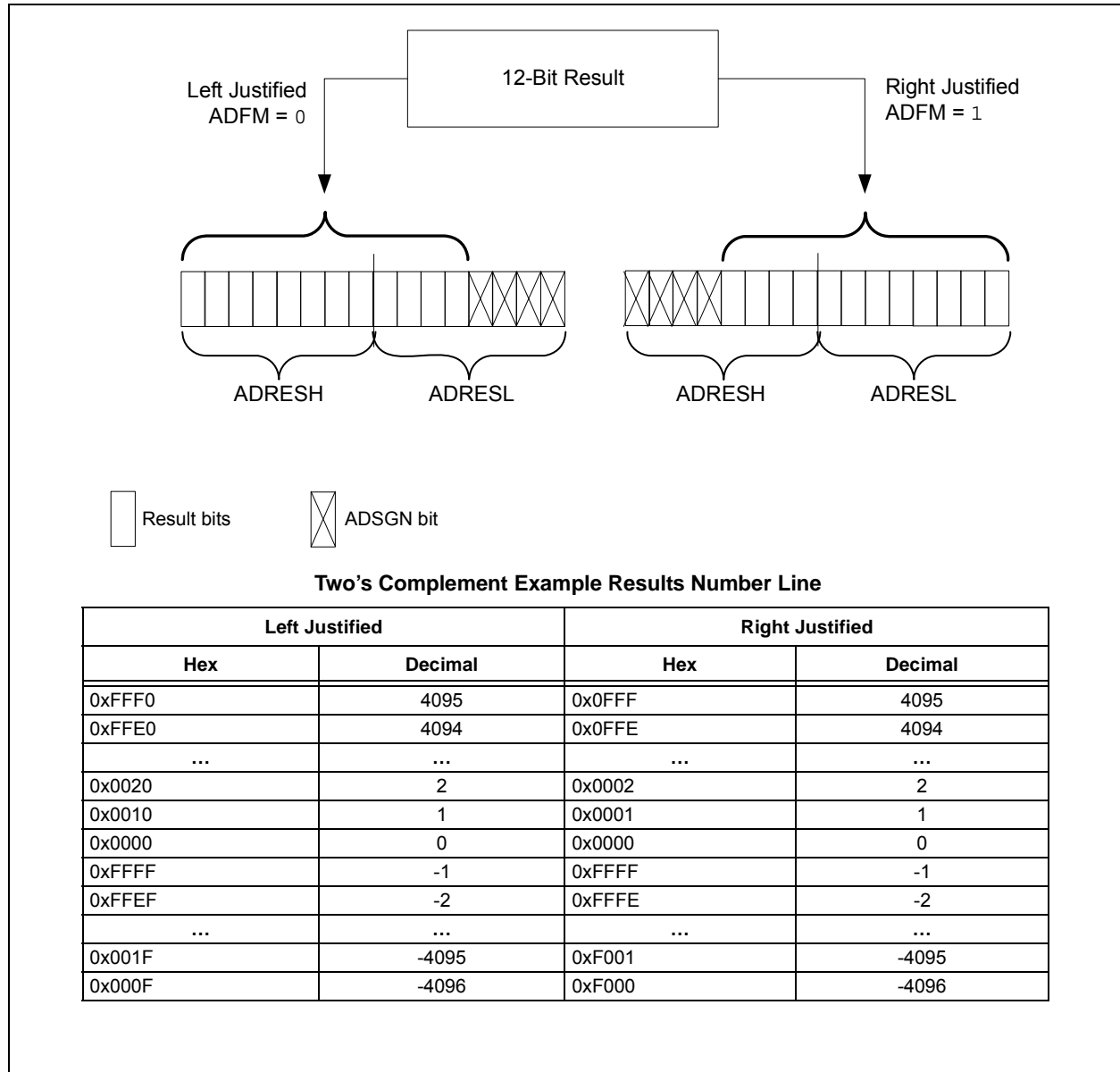
The ADRESH:ADRESL register pair is where the 12-bit A/D result and extended sign bits (ADSGN) are loaded at the completion of a conversion. This register pair is 16 bits wide. The A/D module gives the flexibility of left or right justifying the 12-bit result in the 16-Bit Result register. The A/D Format Select bit (ADFM) controls this justification.

Figure 23-3 shows the operation of the A/D result justification and location of the sign bit (ADSGN). The extended sign bits allow for easier 16-bit math to be

performed on the result. The results are represented as a two's complement binary value. This means that when sign bits and magnitude bits are considered together in right justification, the ADRESH and ADRESL can be read as a single signed integer value.

When the A/D Converter is disabled, these 8-bit registers can be used as two general purpose registers.

**FIGURE 23-3: A/D RESULT JUSTIFICATION**



# PIC18F87K90 FAMILY

## REGISTER 23-4: ADRESH: A/D RESULT HIGH BYTE REGISTER, LEFT JUSTIFIED (ADFM = 0)

|         |         |        |        |        |        |        |        |
|---------|---------|--------|--------|--------|--------|--------|--------|
| R/W-x   | R/W-x   | R/W-x  | R/W-x  | R/W-x  | R/W-x  | R/W-x  | R/W-x  |
| ADRES11 | ADRES10 | ADRES9 | ADRES8 | ADRES7 | ADRES6 | ADRES5 | ADRES4 |
| bit 7   |         |        |        |        |        |        | bit 0  |

### Legend:

R = Readable bit                      W = Writable bit                      U = Unimplemented bit, read as '0'  
 -n = Value at POR                      '1' = Bit is set                      '0' = Bit is cleared                      x = Bit is unknown

bit 7-0                      **ADRES<11:4>**: A/D Result High Byte bits

## REGISTER 23-5: ADRESL: A/D RESULT LOW BYTE REGISTER, LEFT JUSTIFIED (ADFM = 0)

|        |        |        |        |       |       |       |       |
|--------|--------|--------|--------|-------|-------|-------|-------|
| R/W-x  | R/W-x  | R/W-x  | R/W-x  | R/W-x | R/W-x | R/W-x | R/W-x |
| ADRES3 | ADRES2 | ADRES1 | ADRES0 | ADSGN | ADSGN | ADSGN | ADSGN |
| bit 7  |        |        |        |       |       |       | bit 0 |

### Legend:

R = Readable bit                      W = Writable bit                      U = Unimplemented bit, read as '0'  
 -n = Value at POR                      '1' = Bit is set                      '0' = Bit is cleared                      x = Bit is unknown

bit 7-4                      **ADRES<3:0>**: A/D Result Low Byte bits

bit 3-0                      **ADSGN**: A/D Result Sign bits

1 = A/D result is negative  
 0 = A/D result is positive

# PIC18F87K90 FAMILY

## REGISTER 23-6: ADRESH: A/D RESULT HIGH BYTE REGISTER, RIGHT JUSTIFIED (ADFM = 1)

| R/W-x | R/W-x | R/W-x | R/W-x | R/W-x   | R/W-x   | R/W-x  | R/W-x  |
|-------|-------|-------|-------|---------|---------|--------|--------|
| ADSGN | ADSGN | ADSGN | ADSGN | ADRES11 | ADRES10 | ADRES9 | ADRES8 |
| bit 7 |       |       |       |         |         |        | bit 0  |

### Legend:

R = Readable bit                      W = Writable bit                      U = Unimplemented bit, read as '0'  
-n = Value at POR                      '1' = Bit is set                      '0' = Bit is cleared                      x = Bit is unknown

bit 7-4                      **ADSGN:** A/D Result Sign bits  
                                    1 = A/D result is negative  
                                    0 = A/D result is positive  
bit 3-0                      **ADRES<11:8>:** A/D Result High Byte bits

## REGISTER 23-7: ADRESL: A/D RESULT LOW BYTE REGISTER, RIGHT JUSTIFIED (ADFM = 1)

| R/W-x  | R/W-x  | R/W-x  | R/W-x  | R/W-x  | R/W-x  | R/W-x  | R/W-x  |
|--------|--------|--------|--------|--------|--------|--------|--------|
| ADRES7 | ADRES6 | ADRES5 | ADRES4 | ADRES3 | ADRES2 | ADRES1 | ADRES0 |
| bit 7  |        |        |        |        |        |        | bit 0  |

### Legend:

R = Readable bit                      W = Writable bit                      U = Unimplemented bit, read as '0'  
-n = Value at POR                      '1' = Bit is set                      '0' = Bit is cleared                      x = Bit is unknown

bit 7-0                      **ADRES<7:0>:** A/D Result Low Byte bits

# PIC18F87K90 FAMILY

The ANCONx registers are used to configure the operation of the I/O pin associated with each analog channel. Clearing a ANSELx bit configures the corresponding pin (ANx) to operate as a digital only I/O. Setting a bit configures the pin to operate as an analog

input for either the A/D Converter or the comparator module, with all digital peripherals disabled and digital inputs read as '0'.

As a rule, I/O pins that are multiplexed with analog inputs default to analog operation on any device Reset.

## REGISTER 23-8: ANCON0: A/D PORT CONFIGURATION REGISTER 0

|        |        |        |        |        |        |        |        |
|--------|--------|--------|--------|--------|--------|--------|--------|
| R/W-1  | R/W-1  | R/W-1  | R/W-1  | R/W-1  | R/W-1  | R/W-1  | R/W-1  |
| ANSEL7 | ANSEL6 | ANSEL5 | ANSEL4 | ANSEL3 | ANSEL2 | ANSEL1 | ANSEL0 |
| bit 7  |        |        |        |        |        |        | bit 0  |

### Legend:

R = Readable bit

W = Writable bit

U = Unimplemented bit, read as '0'

-n = Value at POR

'1' = Bit is set

'0' = Bit is cleared

x = Bit is unknown

bit 7-0

**ANSEL<7:0>**: Analog Port Configuration bits (AN7 and AN0)

0 = Pin is configured as a digital port

1 = Pin is configured as an analog channel – digital input disabled and any inputs read as '0'

## REGISTER 23-9: ANCON1: A/D PORT CONFIGURATION REGISTER 1

|                        |                        |                        |                        |         |         |        |        |
|------------------------|------------------------|------------------------|------------------------|---------|---------|--------|--------|
| R/W-1                  | R/W-1                  | R/W-1                  | R/W-1                  | R/W-1   | R/W-1   | R/W-1  | R/W-1  |
| ANSEL15 <sup>(1)</sup> | ANSEL14 <sup>(1)</sup> | ANSEL13 <sup>(1)</sup> | ANSEL12 <sup>(1)</sup> | ANSEL11 | ANSEL10 | ANSEL9 | ANSEL8 |
| bit 7                  |                        |                        |                        |         |         |        | bit 0  |

### Legend:

R = Readable bit

W = Writable bit

U = Unimplemented bit, read as '0'

-n = Value at POR

'1' = Bit is set

'0' = Bit is cleared

x = Bit is unknown

bit 7-0

**ANSEL<15:8>**: Analog Port Configuration bits (AN15 through AN8)

0 = Pin is configured as a digital port

1 = Pin is configured as an analog channel – digital input is disabled and any inputs read as '0'

**Note 1:** AN12 through AN15, and AN20 to AN23, are implemented only on 80-pin devices. For 64-pin devices, the corresponding ANSELx bits are still implemented for these channels, but have no effect.

# PIC18F87K90 FAMILY

## REGISTER 23-10: ANCON2: A/D PORT CONFIGURATION REGISTER 2

|                        |                        |                        |                        |         |         |         |         |
|------------------------|------------------------|------------------------|------------------------|---------|---------|---------|---------|
| R/W-1                  | R/W-1                  | R/W-1                  | R/W-1                  | R/W-1   | R/W-1   | R/W-1   | R/W-1   |
| ANSEL23 <sup>(1)</sup> | ANSEL22 <sup>(1)</sup> | ANSEL21 <sup>(1)</sup> | ANSEL20 <sup>(1)</sup> | ANSEL19 | ANSEL18 | ANSEL17 | ANSEL16 |
| bit 7                  |                        |                        |                        |         |         |         | bit 0   |

### Legend:

|                   |                  |                                    |
|-------------------|------------------|------------------------------------|
| R = Readable bit  | W = Writable bit | U = Unimplemented bit, read as '0' |
| -n = Value at POR | '1' = Bit is set | '0' = Bit is cleared               |
|                   |                  | x = Bit is unknown                 |

bit 7-0      **ANSEL<23:16>**: Analog Port Configuration bits (AN23 through AN16)  
 0 = Pin configured as a digital port  
 1 = Pin configured as an analog channel — digital input disabled and any inputs read as '0'

**Note 1:** AN12 through AN15, and AN20 to AN23, are implemented only on 80-pin devices. For 64-pin devices, the corresponding ANSELx bits are still implemented for these channels, but have no effect.

The analog reference voltage is software-selectable to either the device's positive and negative supply voltage (AVDD and AVSS) or the voltage level on the RA3/AN3/VREF+ and RA2/AN2/VREF- pins. VREF+ has two additional internal voltage reference selections: 2.048V and 4.096V.

The A/D Converter can uniquely operate while the device is in Sleep mode. To operate in Sleep, the A/D conversion clock must be derived from the A/D Converter's internal RC oscillator.

The output of the Sample-and-Hold (S/H) is the input into the converter, which generates the result via successive approximation.

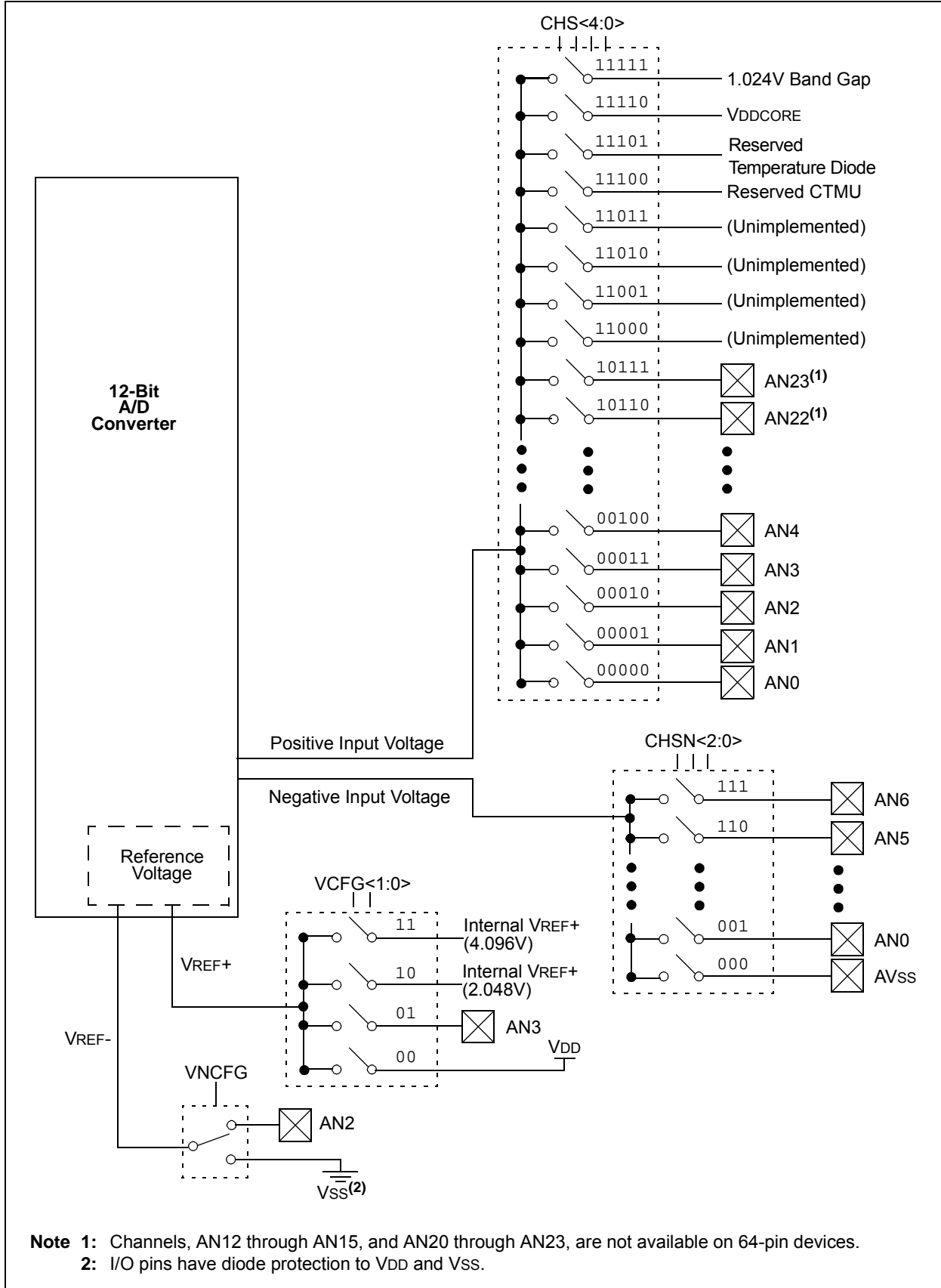
Each port pin associated with the A/D Converter can be configured as an analog input or a digital I/O. The ADRESH and ADRESL registers contain the result of the A/D conversion. When the A/D conversion is complete, the result is loaded into the ADRESH:ADRESL register pair, the GO/DONE bit (ADCON0<1>) is cleared and the A/D Interrupt Flag bit, ADIF (PIR1<6>), is set.

A device Reset forces all registers to their Reset state. This forces the A/D module to be turned off and any conversion in progress is aborted. The value in the ADRESH:ADRESL register pair is not modified for a Power-on Reset. These registers will contain unknown data after a Power-on Reset.

The block diagram of the A/D module is shown in [Figure 23-4](#).

# PIC18F87K90 FAMILY

FIGURE 23-4: A/D BLOCK DIAGRAM



**Note 1:** Channels, AN12 through AN15, and AN20 through AN23, are not available on 64-pin devices.

**Note 2:** I/O pins have diode protection to VDD and VSS.

# PIC18F87K90 FAMILY

After the A/D module has been configured as desired, the selected channel must be acquired before the conversion can start. The analog input channels must have their corresponding TRIS bits selected as inputs. To determine acquisition time, see [Section 23.3 “A/D Acquisition Requirements”](#). After this acquisition time has elapsed, the A/D conversion can be started. An acquisition time can be programmed to occur between setting the  $\overline{\text{GO/DONE}}$  bit and the actual start of the conversion.

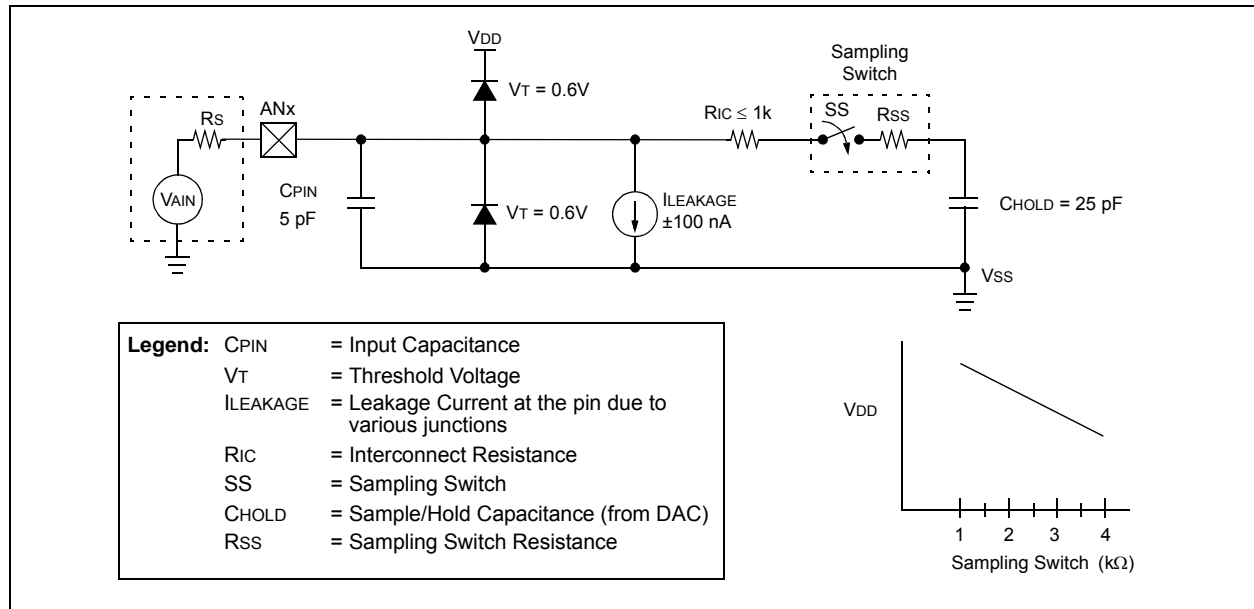
To do an A/D conversion, follow these steps:

1. Configure the A/D module:
  - Configure the required ADC pins as analog pins (ANCON0, ANCON1 and ANCON2)
  - Set the voltage reference (ADCON1)
  - Select the A/D positive and negative input channels (ADCON0 and ADCON1)
  - Select the A/D acquisition time (ADCON2)
  - Select the A/D conversion clock (ADCON2)
  - Turn on the A/D module (ADCON0)

2. Configure the A/D interrupt (if desired):
  - Clear the ADIF bit (PIR1<6>)
  - Set the ADIE bit (PIE1<6>)
  - Set the GIE bit (INTCON<7>)
3. Wait the required acquisition time (if required).
4. Start the conversion:
  - Set the  $\overline{\text{GO/DONE}}$  bit (ADCON0<1>)
5. Wait for A/D conversion to complete, by either:
  - Polling for the  $\overline{\text{GO/DONE}}$  bit to be cleared
 OR
  - Waiting for the A/D interrupt
6. Read A/D Result registers (ADRESH:ADRESL), and if required, clear bit, ADIF.
7. For the next conversion, begin with Step 1 or 2, as required.

The A/D conversion time per bit is defined as  $T_{AD}$ . Before the next acquisition starts, a minimum Wait of  $2 T_{AD}$  is required.

**FIGURE 23-5: ANALOG INPUT MODEL**



# PIC18F87K90 FAMILY

## 23.3 A/D Acquisition Requirements

For the A/D Converter to meet its specified accuracy, the charge holding capacitor (CHOLD) must be allowed to fully charge to the input channel voltage level. The analog input model is shown in [Figure 23-5](#). The source impedance (Rs) and the internal sampling switch (Rss) impedance directly affect the time required to charge the capacitor CHOLD. The sampling switch (Rss) impedance varies over the device voltage (VDD).

The source impedance affects the offset voltage at the analog input (due to pin leakage current). **The maximum recommended impedance for analog sources is 2.5 kΩ.** After the analog input channel is selected or changed, the channel must be sampled for at least the minimum acquisition time before starting a conversion.

**Note:** When the conversion is started, the holding capacitor is disconnected from the input pin.

To calculate the minimum acquisition time, [Equation 23-1](#) can be used. This equation assumes that 1/2 LSB error is used (1,024 steps for the A/D). The 1/2 LSB error is the maximum error allowed for the A/D to meet its specified resolution.

[Equation 23-3](#) shows the calculation of the minimum required acquisition time, TACQ. This calculation is based on the following application system assumptions:

|                    |   |                 |
|--------------------|---|-----------------|
| • CHOLD            | = | 25 pF           |
| • Rs               | = | 2.5 kΩ          |
| • Conversion Error | ≤ | 1/2 LSB         |
| • VDD              | = | 3V → Rss = 2 kΩ |
| • Temperature      | = | 85°C            |

### EQUATION 23-1: ACQUISITION TIME

$$\begin{aligned} \text{TACQ} &= \text{Amplifier Settling Time} + \text{Holding Capacitor Charging Time} + \text{Temperature Coefficient} \\ &= \text{TAMP} + \text{TC} + \text{TCOFF} \end{aligned}$$

### EQUATION 23-2: A/D MINIMUM CHARGING TIME

$$\begin{aligned} \text{VHOLD} &= (\text{VREF} - (\text{VREF}/2048)) \cdot (1 - e^{-(\text{TC}/\text{CHOLD})(\text{RIC} + \text{RSS} + \text{RS})}) \\ \text{or} \\ \text{TC} &= -(\text{CHOLD})(\text{RIC} + \text{RSS} + \text{RS}) \ln(1/2048) \end{aligned}$$

### EQUATION 23-3: CALCULATING THE MINIMUM REQUIRED ACQUISITION TIME

$$\begin{aligned} \text{TACQ} &= \text{TAMP} + \text{TC} + \text{TCOFF} \\ \text{TAMP} &= 0.2 \mu\text{s} \\ \text{TCOFF} &= (\text{Temp} - 25^\circ\text{C})(0.02 \mu\text{s}/^\circ\text{C}) \\ &\quad (85^\circ\text{C} - 25^\circ\text{C})(0.02 \mu\text{s}/^\circ\text{C}) \\ &\quad 1.2 \mu\text{s} \end{aligned}$$

Temperature coefficient is only required for temperatures > 25°C. Below 25°C, TCOFF = 0 ms.

$$\begin{aligned} \text{TC} &= -(\text{CHOLD})(\text{RIC} + \text{RSS} + \text{RS}) \ln(1/2048) \mu\text{s} \\ &\quad -(25 \text{ pF})(1 \text{ k}\Omega + 2 \text{ k}\Omega + 2.5 \text{ k}\Omega) \ln(0.0004883) \mu\text{s} \\ &\quad 1.05 \mu\text{s} \\ \text{TACQ} &= 0.2 \mu\text{s} + 1.05 \mu\text{s} + 1.2 \mu\text{s} \\ &\quad 2.45 \mu\text{s} \end{aligned}$$



## 23.4 Selecting and Configuring Automatic Acquisition Time

The ADCON2 register allows the user to select an acquisition time that occurs each time the GO/DONE bit is set.

When the GO/DONE bit is set, sampling is stopped and a conversion begins. The user is responsible for ensuring the required acquisition time has passed between selecting the desired input channel and setting the GO/DONE bit.

This occurs when the ACQT<2:0> bits (ADCON2<5:3>) remain in their Reset state ('000'), which is compatible with devices that do not offer programmable acquisition times.

If desired, the ACQTx bits can be set to select a programmable acquisition time for the A/D module. When the GO/DONE bit is set, the A/D module continues to sample the input for the selected acquisition time, then automatically begins a conversion. Since the acquisition time is programmed, there may be no need to wait for an acquisition time between selecting a channel and setting the GO/DONE bit.

In either case, when the conversion is completed, the GO/DONE bit is cleared, the ADIF flag is set and the A/D begins sampling the currently selected channel again. If an acquisition time is programmed, there is nothing to indicate if the acquisition time has ended or if the conversion has begun.

## 23.5 Selecting the A/D Conversion Clock

The A/D conversion time per bit is defined as TAD. The A/D conversion requires 14 TAD per 12-bit conversion. The source of the A/D conversion clock is software-selectable.

The possible options for TAD are:

- 2 TOSC
- 4 TOSC
- 8 TOSC
- 16 TOSC
- 32 TOSC
- 64 TOSC
- Using the internal RC Oscillator

For correct A/D conversions, the A/D conversion clock (TAD) must be as short as possible but greater than the minimum TAD. (For more information, see Parameter 130 in Table 31-26.)

Table 23-1 shows the resultant TAD times derived from the device operating frequencies and the A/D clock source selected.

TABLE 23-1: TAD vs. DEVICE OPERATING FREQUENCIES

| AD Clock Source (TAD) |           | Maximum Device Frequency |
|-----------------------|-----------|--------------------------|
| Operation             | ADCS<2:0> |                          |
| 2 TOSC                | 000       | 2.50 MHz                 |
| 4 TOSC                | 100       | 5.00 MHz                 |
| 8 TOSC                | 001       | 10.00 MHz                |
| 16 TOSC               | 101       | 20.00 MHz                |
| 32 TOSC               | 010       | 40.00 MHz                |
| 64 TOSC               | 110       | 64.00 MHz                |
| RC <sup>(2)</sup>     | x11       | 1.00 MHz <sup>(1)</sup>  |

**Note 1:** The RC source has a typical TAD time of 4  $\mu$ s.

**2:** For device frequencies above 1 MHz, the device must be in Sleep mode for the entire conversion or the A/D accuracy may be out of specification.

## 23.6 Configuring Analog Port Pins

The ANCON0, ANCON1, ANCON2, TRISA, TRISF, TRISG and TRISH registers control the operation of the A/D port pins. The port pins needed as analog inputs must have their corresponding TRISx bits set (input). If the TRISx bit is cleared (output), the digital output level (VOH or VOL) will be converted.

The A/D operation is independent of the state of the CHS<3:0> bits and the TRISx bits.

**Note 1:** When reading the PORT register, all pins configured as analog input channels will read as cleared (a low level). Pins configured as digital inputs will convert an analog input. Analog levels on a digitally configured input will be accurately converted.

**2:** Analog levels on any pin defined as a digital input may cause the digital input buffer to consume current out of the device's specification limits.

# PIC18F87K90 FAMILY

## 23.7 A/D Conversions

Figure 23-6 shows the operation of the A/D Converter after the  $\overline{\text{GO/DONE}}$  bit has been set and the  $\text{ACQT}<2:0>$  bits are cleared. A conversion is started after the following instruction to allow entry into Sleep mode before the conversion begins.

Figure 23-7 shows the operation of the A/D Converter after the  $\overline{\text{GO/DONE}}$  bit has been set, the  $\text{ACQT}<2:0>$  bits set to '010' and a 4 TAD acquisition time selected.

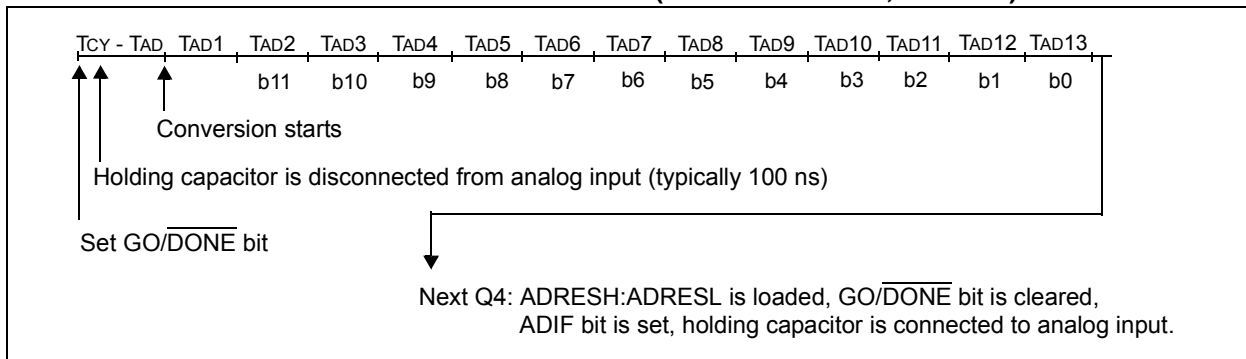
Clearing the  $\overline{\text{GO/DONE}}$  bit during a conversion will abort the current conversion. The A/D Result register pair will NOT be updated with the partially completed A/D conversion sample. This means the

ADRESH:ADRESL registers will continue to contain the value of the last completed conversion (or the last value written to the ADRESH:ADRESL registers).

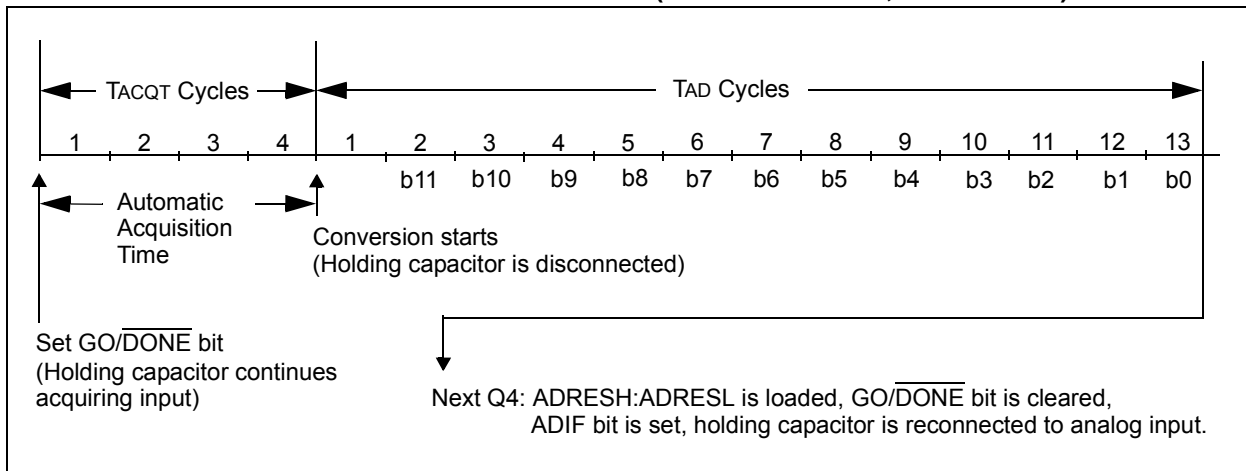
After the A/D conversion is completed or aborted, a 2 TAD Wait is required before the next acquisition can be started. After this Wait, acquisition on the selected channel is automatically started.

**Note:** The  $\overline{\text{GO/DONE}}$  bit should **NOT** be set in the same instruction that turns on the A/D.

**FIGURE 23-6: A/D CONVERSION TAD CYCLES ( $\text{ACQT}<2:0> = 000, \text{TACQ} = 0$ )**



**FIGURE 23-7: A/D CONVERSION TAD CYCLES ( $\text{ACQT}<2:0> = 010, \text{TACQ} = 4 \text{TAD}$ )**



## 23.8 Use of the Special Event Triggers

A/D conversion can be started by the Special Event Trigger of any of these modules:

- ECCP2 – Requires CCP2M<3:0> bits (CCP2CON<3:0>) set at '1011'
- CTMU – Requires the setting of the CTRIG bit (CTMUCONH<0>)
- Timer1
- RTCC

To start an A/D conversion:

- The A/D module must be enabled (ADON = 1)
- The appropriate analog input channel is selected
- The minimum acquisition period is set in one of these ways:
  - Timing provided by the user
  - Selection made of an appropriate TACQ time

With these conditions met, the trigger sets the GO/DONE bit and the A/D acquisition starts.

If the A/D module is not enabled (ADON = 0), the module ignores the Special Event Trigger.

**Note:** With an ECCP2 trigger, Timer1 or Timer3 is cleared. The timers reset to automatically repeat the A/D acquisition period with minimal software overhead (moving ADRESH:ADRESL to the desired location). If the A/D module is not enabled, the Special Event Trigger is ignored by the module, but the timer's counter resets.

## 23.9 Operation in Power-Managed Modes

The selection of the automatic acquisition time and A/D conversion clock is determined, in part, by the clock source and frequency while in a power-managed mode.

If the A/D is expected to operate while the device is in a power-managed mode, the ACQT<2:0> and ADCS<2:0> bits in ADCON2 should be updated in accordance with the power-managed mode clock that will be used.

After the power-managed mode is entered (either of the power-managed Run modes), an A/D acquisition or conversion may be started. Once an acquisition or conversion is started, the device should continue to be clocked by the same power-managed mode clock source until the conversion has been completed. If desired, the device may be placed into the corresponding power-managed Idle mode during the conversion.

If the power-managed mode clock frequency is less than 1 MHz, the A/D RC clock source should be selected.

Operation in Sleep mode requires that the A/D RC clock be selected. If bits, ACQT<2:0>, are set to '000' and a conversion is started, the conversion will be delayed one instruction cycle to allow execution of the SLEEP instruction and entry into Sleep mode. The IDLEN and SCS<1:0> bits in the OSCCON register must have already been cleared prior to starting the conversion.

# PIC18F87K90 FAMILY

**TABLE 23-2: SUMMARY OF A/D REGISTERS**

| Name                 | Bit 7                         | Bit 6                 | Bit 5              | Bit 4   | Bit 3   | Bit 2   | Bit 1   | Bit 0   | Reset Values on Page: |
|----------------------|-------------------------------|-----------------------|--------------------|---------|---------|---------|---------|---------|-----------------------|
| INTCON               | GIE/GIEH                      | PEIE/GIEL             | TMR0IE             | INT0IE  | RBIE    | TMR0IF  | INT0IF  | RBIF    | 75                    |
| PIR1                 | —                             | ADIF                  | RC1IF              | TX1IF   | SSP1IF  | TMR1GIF | TMR2IF  | TMR1IF  | 77                    |
| PIE1                 | —                             | ADIE                  | RC1IE              | TX1IE   | SSP1IE  | TMR1GIE | TMR2IE  | TMR1IE  | 77                    |
| IPR1                 | —                             | ADIP                  | RC1IP              | TX1IP   | SSP1IP  | TMR1GIP | TMR2IP  | TMR1IP  | 77                    |
| ADRESH               | A/D Result Register High Byte |                       |                    |         |         |         |         |         | 76                    |
| ADRESL               | A/D Result Register Low Byte  |                       |                    |         |         |         |         |         | 76                    |
| ADCON0               | —                             | CHS4                  | CHS3               | CHS2    | CHS1    | CHS0    | GO/DONE | ADON    | 76                    |
| ADCON1               | TRIGSEL1                      | TRIGSEL0              | VCFG1              | VCFG0   | VNCFG   | CHSN2   | CHSN1   | CHSN0   | 76                    |
| ADCON2               | ADFM                          | —                     | ACQT2              | ACQT1   | ACQT0   | ADCS2   | ADCS1   | ADCS0   | 76                    |
| ANCON0               | ANSEL7                        | ANSEL6                | ANSEL5             | ANSEL4  | ANSEL3  | ANSEL2  | ANSEL1  | ANSEL0  | 81                    |
| ANCON1               | ANSEL15                       | ANSEL14               | ANSEL13            | ANSEL12 | ANSEL11 | ANSEL10 | ANSEL9  | ANSEL8  | 81                    |
| ANCON2               | ANSEL23                       | ANSEL22               | ANSEL21            | ANSEL20 | ANSEL19 | ANSEL18 | ANSEL17 | ANSEL16 | 81                    |
| CCP2CON              | P2M1                          | P2M0                  | DC2B1              | DC2B0   | CCP2M3  | CCP2M2  | CCP2M1  | CCP2M0  | 80                    |
| PORTA                | RA7 <sup>(2)</sup>            | RA6 <sup>(2)</sup>    | RA5                | RA4     | RA3     | RA2     | RA1     | RA0     | 78                    |
| TRISA                | TRISA7 <sup>(2)</sup>         | TRISA6 <sup>(2)</sup> | TRISA5             | TRISA4  | TRISA3  | TRISA2  | TRISA1  | TRISA0  | 78                    |
| PORTF                | RF7                           | RF6                   | RF5                | RF4     | RF3     | RF2     | RF1     | —       | 78                    |
| TRISF                | TRISF7                        | TRISF6                | TRISF5             | TRISF4  | TRISF3  | TRISF2  | TRISF1  | —       | 78                    |
| PORTG                | —                             | —                     | RG5 <sup>(3)</sup> | RG4     | RG3     | RG2     | RG1     | RG0     | 78                    |
| TRISG                | —                             | —                     | —                  | TRISG4  | TRISG3  | TRISG2  | TRISG1  | TRISG0  | 78                    |
| PORTH <sup>(1)</sup> | RH7                           | RH6                   | RH5                | RH4     | RH3     | RH2     | RH1     | RH0     | 78                    |
| TRISH <sup>(1)</sup> | TRISH7                        | TRISH6                | TRISH5             | TRISH4  | TRISH3  | TRISH2  | TRISH1  | TRISH0  | 78                    |

**Legend:** — = unimplemented, read as '0'. Shaded cells are not used for A/D conversion.

**Note 1:** This register is not implemented on 64-pin devices.

**2:** These bits are available only in certain oscillator modes, when the OSC2 Configuration bit = 0. If that Configuration bit is cleared, this signal is not implemented.

**3:** This bit is available when Master Clear is disabled (MCLRE = 0). When MCLRE is set, the bit is unimplemented.

## 24.0 COMPARATOR MODULE

The analog comparator module contains three comparators that can be independently configured in a variety of ways. The inputs can be selected from the analog inputs and two internal voltage references. The digital outputs are available at the pin level and can also be read through the control register. Multiple output and interrupt event generation are also available. A generic single comparator from the module is shown in Figure 24-1.

Key features of the module includes:

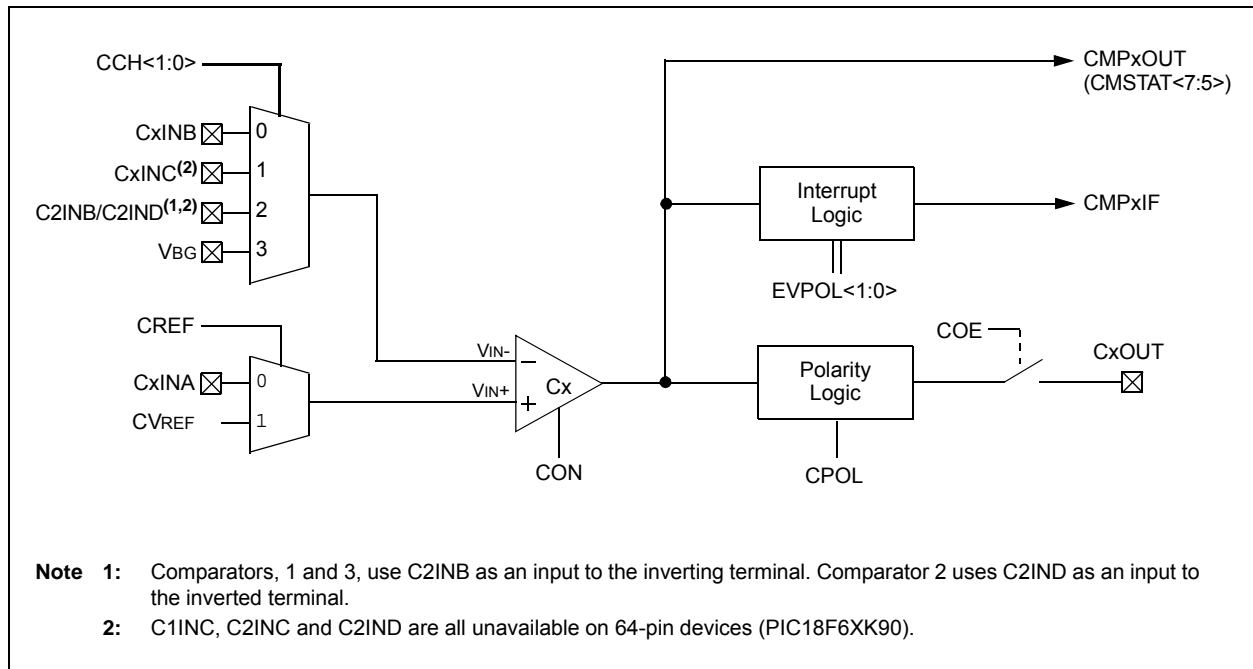
- Independent comparator control
- Programmable input configuration
- Output to both pin and register levels
- Programmable output polarity
- Independent interrupt generation for each comparator with configurable interrupt-on-change

## 24.1 Registers

The CMxCON registers (CM1CON, CM2CON and CM3CON) select the input and output configuration for each comparator, as well as the settings for interrupt generation (see Register 24-1).

The CMSTAT register (Register 24-2) provides the output results of the comparators. The bits in this register are read-only.

**FIGURE 24-1: COMPARATOR SIMPLIFIED BLOCK DIAGRAM**



# PIC18F87K90 FAMILY

## REGISTER 24-1: CMxCON: COMPARATOR CONTROL x REGISTER

| R/W-0 | R/W-0 | R/W-0 | R/W-1  | R/W-1  | R/W-1 | R/W-1 | R/W-1 |
|-------|-------|-------|--------|--------|-------|-------|-------|
| CON   | COE   | CPOL  | EVPOL1 | EVPOL0 | CREF  | CCH1  | CCH0  |
| bit 7 |       |       |        |        |       |       | bit 0 |

### Legend:

|                   |                  |                                    |
|-------------------|------------------|------------------------------------|
| R = Readable bit  | W = Writable bit | U = Unimplemented bit, read as '0' |
| -n = Value at POR | '1' = Bit is set | '0' = Bit is cleared               |
|                   |                  | x = Bit is unknown                 |

- bit 7      **CON:** Comparator Enable bit  
 1 = Comparator is enabled  
 0 = Comparator is disabled
- bit 6      **COE:** Comparator Output Enable bit  
 1 = Comparator output is present on the CxOUT pin  
 0 = Comparator output is internal only
- bit 5      **CPOL:** Comparator Output Polarity Select bit  
 1 = Comparator output is inverted  
 0 = Comparator output is not inverted
- bit 4-3    **EVPOL<1:0>:** Interrupt Polarity Select bits  
 11 = Interrupt generation on any change of the output<sup>(1)</sup>  
 10 = Interrupt generation only on high-to-low transition of the output  
 01 = Interrupt generation only on low-to-high transition of the output  
 00 = Interrupt generation is disabled
- bit 2      **CREF:** Comparator Reference Select bit (non-inverting input)  
 1 = Non-inverting input connects to the internal CVREF voltage  
 0 = Non-inverting input connects to the CxINA pin
- bit 1-0    **CCH<1:0>:** Comparator Channel Select bits  
 11 = Inverting input of the comparator connects to VBG  
 10 = Inverting input of the comparator connects to the C2INB or C2IND pin<sup>(2,3)</sup>  
 01 = Inverting input of the comparator connects to the CxINC pin<sup>(3)</sup>  
 00 = Inverting input of the comparator connects to the CxINB pin

- Note 1:** The CMPxIF bit is automatically set any time this mode is selected and must be cleared by the application after the initial configuration.
- 2:** Comparators, 1 and 3, use C2INB as an input to the inverting terminal; Comparator 2 uses C2IND.
- 3:** C1INC, C2INC and C2IND are all unavailable for 64-pin devices (PIC18F6XK90).

# PIC18F87K90 FAMILY

## REGISTER 24-2: CMSTAT: COMPARATOR STATUS REGISTER

|         |         |         |     |     |     |     |       |
|---------|---------|---------|-----|-----|-----|-----|-------|
| R-1     | R-1     | R-1     | U-0 | U-0 | U-0 | U-0 | U-0   |
| CMP3OUT | CMP2OUT | CMP1OUT | —   | —   | —   | —   | —     |
| bit 7   |         |         |     |     |     |     | bit 0 |

### Legend:

R = Readable bit

W = Writable bit

U = Unimplemented bit, read as '0'

-n = Value at POR

'1' = Bit is set

'0' = Bit is cleared

x = Bit is unknown

bit 7-5 **CMPxOUT<3:1>**: Comparator x Status bits

If CPOL (CMxCON<5>) = 0 (non-inverted polarity):

1 = Comparator x's VIN+ > VIN-

0 = Comparator x's VIN+ < VIN-

If CPOL = 1 (inverted polarity):

1 = Comparator x's VIN+ < VIN-

0 = Comparator x's VIN+ > VIN-

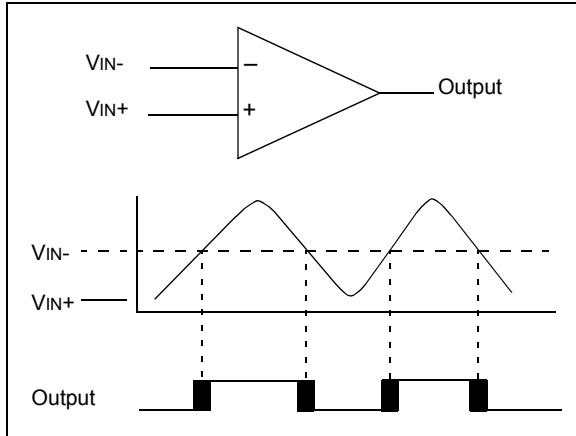
bit 4-0 **Unimplemented**: Read as '0'

# PIC18F87K90 FAMILY

## 24.2 Comparator Operation

A single comparator is shown in Figure 24-2, along with the relationship between the analog input levels and the digital output. When the analog input at  $V_{IN+}$  is less than the analog input,  $V_{IN-}$ , the output of the comparator is a digital low level. When the analog input at  $V_{IN+}$  is greater than the analog input,  $V_{IN-}$ , the output of the comparator is a digital high level. The shaded areas of the output of the comparator, in Figure 24-2, represent the uncertainty due to input offsets and response time.

FIGURE 24-2: SINGLE COMPARATOR



## 24.3 Comparator Response Time

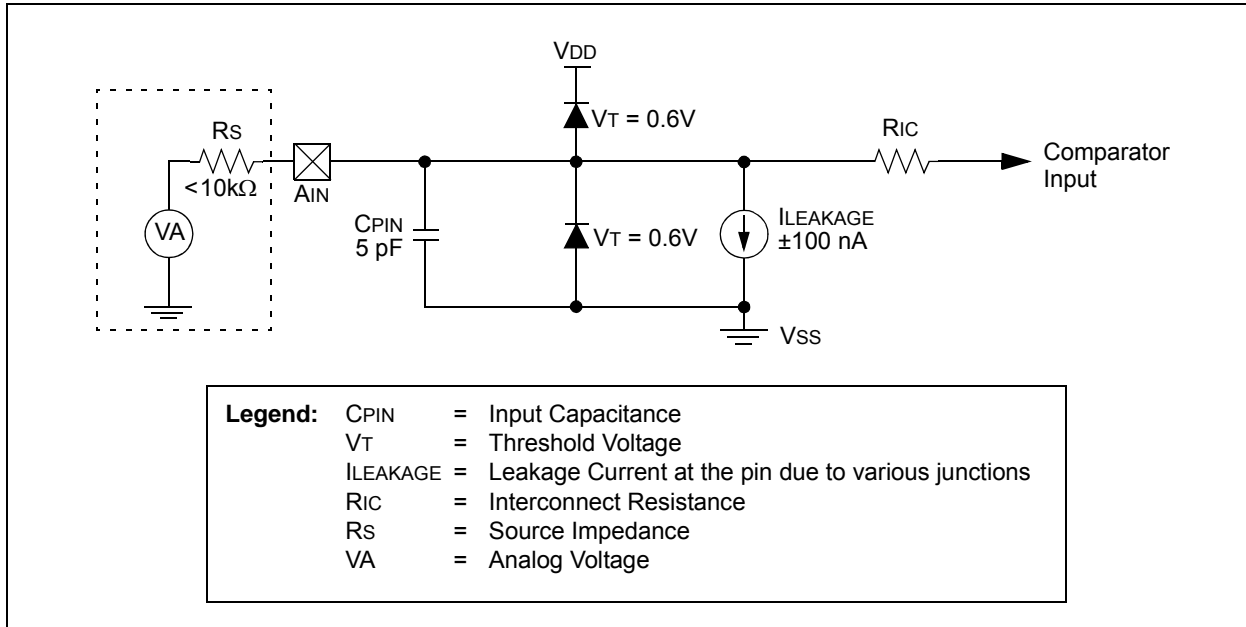
Response time is the minimum time, after selecting a new reference voltage or input source, before the comparator output has a valid level. The response time of the comparator differs from the settling time of the voltage reference. Therefore, both of these times must be considered when determining the total response to a comparator input change. Otherwise, the maximum delay of the comparators should be used (see Section 31.0 “Electrical Characteristics”).

## 24.4 Analog Input Connection Considerations

A simplified circuit for an analog input is shown in Figure 24-3. Since the analog pins are connected to a digital output, they have reverse biased diodes to  $V_{DD}$  and  $V_{SS}$ . The analog input, therefore, must be between  $V_{SS}$  and  $V_{DD}$ . If the input voltage deviates from this range by more than 0.6V in either direction, one of the diodes is forward biased and a latch-up condition may occur.

A maximum source impedance of  $10\text{ k}\Omega$  is recommended for the analog sources. Any external component connected to an analog input pin, such as a capacitor or a Zener diode, should have very little leakage current.

FIGURE 24-3: COMPARATOR ANALOG INPUT MODEL





## 24.5 Comparator Control and Configuration

Each comparator has up to eight possible combinations of inputs: up to four external analog inputs and one of two internal voltage references.

All of the comparators allow a selection of the signal from pin, CxINA, or the voltage from the Comparator Voltage Reference (CVREF) on the non-inverting channel. This is compared to either CxINB, CxINC, C2INB/C2IND or the microcontroller's fixed internal reference voltage (V<sub>BG</sub>, 1.024V nominal) on the inverting channel. The comparator inputs and outputs are tied to fixed I/O pins, defined in Table 24-1. The available comparator configurations and their corresponding bit settings are shown in Figure 24-4.

**TABLE 24-1: COMPARATOR INPUTS AND OUTPUTS**

| Comparator | Input or Output                          | I/O Pin |
|------------|--|---------|
| 1          | C1INA (V <sub>IN+</sub> )                | RF6     |
|            | C1INB (V <sub>IN-</sub> )                | RF5     |
|            | C1INC <sup>(1)</sup> (V <sub>IN-</sub> ) | RH6     |
|            | C2INB (V <sub>IN-</sub> )                | RF3     |
|            | C1OUT                                    | RF2     |
| 2          | C2INA (V <sub>IN+</sub> )                | RF4     |
|            | C2INB (V <sub>IN-</sub> )                | RF3     |
|            | C2INC <sup>(1)</sup> (V <sub>IN-</sub> ) | RH4     |
|            | C2IND <sup>(1)</sup> (V <sub>IN-</sub> ) | RH5     |
|            | C2OUT                                    | RF1     |
| 3          | C3INA (V <sub>IN+</sub> )                | RG2     |
|            | C3INB (V <sub>IN-</sub> )                | RG3     |
|            | C3INC (V <sub>IN-</sub> )                | RG4     |
|            | C2INB (V <sub>IN-</sub> )                | RF3     |
|            | C3OUT                                    | RG1     |

**Note 1:** C1INC, C2INC and C2IND are all unavailable for 64-pin devices (PIC18F6XK90).

### 24.5.1 COMPARATOR ENABLE AND INPUT SELECTION

Setting the CON bit of the CMxCON register (CMxCON<7>) enables the comparator for operation. Clearing the CON bit disables the comparator, resulting in minimum current consumption.

The CCH<1:0> bits in the CMxCON register (CMxCON<1:0>) direct either one of three analog input pins, or the Internal Reference Voltage (V<sub>BG</sub>), to the comparator, V<sub>IN-</sub>. Depending on the comparator

operating mode, either an external or internal voltage reference may be used. For external analog pins that are unavailable in 64-pin devices (C1INC, C2INC and C2IND), the corresponding configurations that use them as inputs are unavailable.

The analog signal present at V<sub>IN-</sub> is compared to the signal at V<sub>IN+</sub> and the digital output of the comparator is adjusted accordingly.

The external reference is used when CREF = 0 (CMxCON<2>) and V<sub>IN+</sub> is connected to the CxINA pin. When external voltage references are used, the comparator module can be configured to have the reference sources externally. The reference signal must be between V<sub>SS</sub> and V<sub>DD</sub>, and can be applied to either pin of the comparator.

The comparator module also allows the selection of an internally generated voltage reference from the Comparator Voltage Reference (CVREF) module. This module is described in more detail in Section 25.0 "Comparator Voltage Reference Module". The reference from the comparator voltage reference module is only available when CREF = 1. In this mode, the internal voltage reference is applied to the comparator's V<sub>IN+</sub> pin.

**Note:** The comparator input pin, selected by CCH<1:0>, must be configured as an input by setting both the corresponding TRISF, TRISG or TRISH bit and the corresponding ANSELx bit in the ANCONx register.

### 24.5.2 COMPARATOR ENABLE AND OUTPUT SELECTION

The comparator outputs are read through the CMSTAT register. The CMSTAT<5> bit reads the Comparator 1 output, CMSTAT<6> reads Comparator 2 output and CMSTAT<7> reads Comparator 3 output. These bits are read-only.

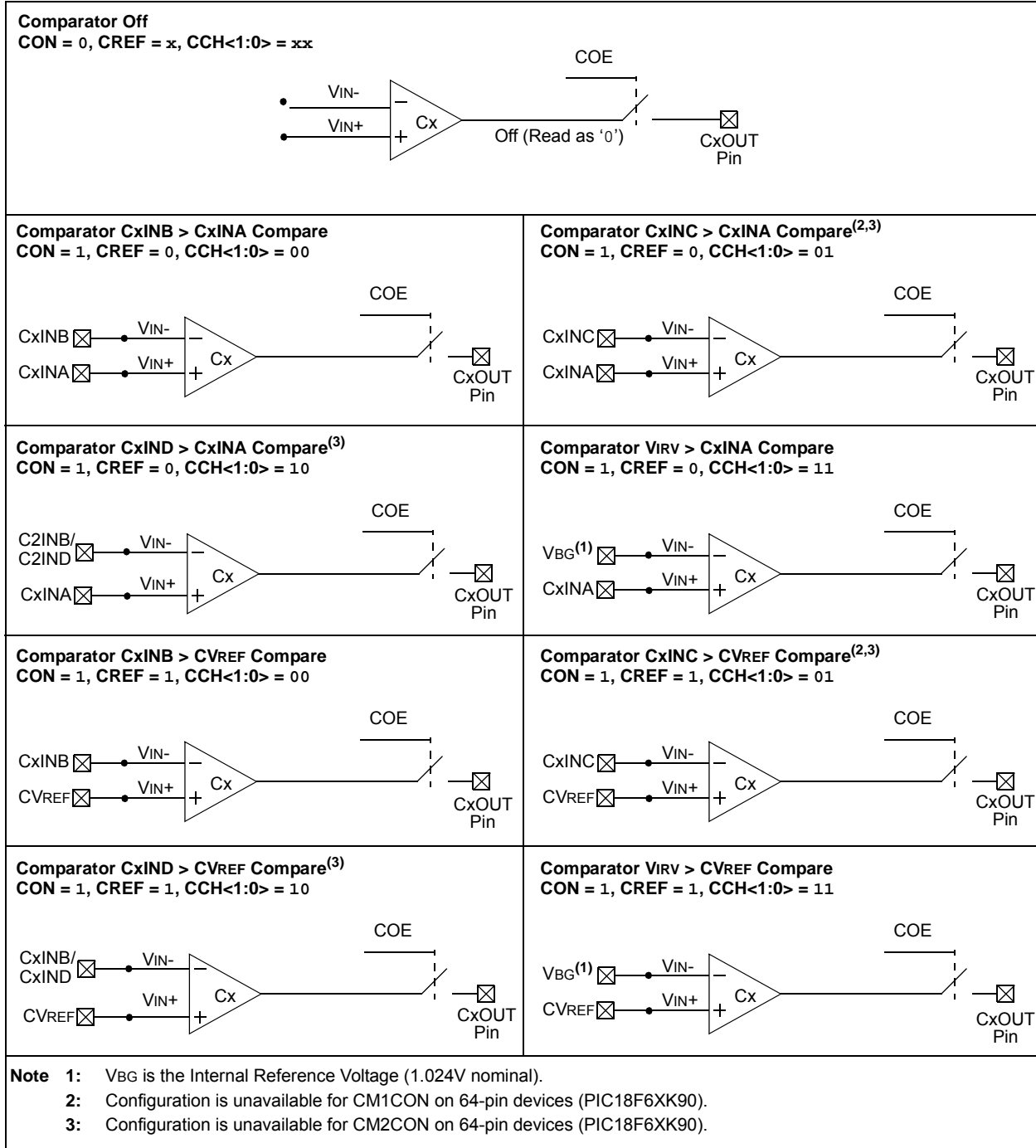
The comparator outputs may also be directly output to the RF2, RF1 and RG1 I/O pins by setting the COE bit (CMxCON<6>). When enabled, multiplexers in the output path of the pins switch to the output of the comparator. While in this mode, the TRISF<2:1> and TRISG<1> bits still function as the digital output enable bits for the RF2, RF1 and RG1 pins.

By default, the comparator's output is at logic high whenever the voltage on V<sub>IN+</sub> is greater than on V<sub>IN-</sub>. The polarity of the comparator outputs can be inverted using the CPOL bit (CMxCON<5>).

The uncertainty of each of the comparators is related to the input offset voltage and the response time given in the specifications, as discussed in Section 24.2 "Comparator Operation".

# PIC18F87K90 FAMILY

**FIGURE 24-4: COMPARATOR CONFIGURATIONS**



## 24.6 Comparator Interrupts

The comparator interrupt flag is set whenever any of the following occurs:

- Low-to-high transition of the comparator output
- High-to-low transition of the comparator output
- Any change in the comparator output

The comparator interrupt selection is done by the  $EVPOL<1:0>$  bits in the  $CMxCON$  register ( $CMxCON<4:3>$ ).

In order to provide maximum flexibility, the output of the comparator may be inverted using the  $CPOL$  bit in the  $CMxCON$  register ( $CMxCON<5>$ ). This is functionally identical to reversing the inverting and non-inverting inputs of the comparator for a particular mode.

An interrupt is generated on the low-to-high or high-to-low transition of the comparator output. This mode of interrupt generation is dependent on  $EVPOL<1:0>$  in the  $CMxCON$  register. When  $EVPOL<1:0> = 01$  or  $10$ , the interrupt is generated on a low-to-high or high-to-low transition of the comparator output. Once the interrupt is generated, it is required to clear the interrupt flag by software.

When  $EVPOL<1:0> = 11$ , the comparator interrupt flag is set whenever there is a change in the output value of either comparator. Software will need to maintain information about the status of the output bits, as read from  $CMSTAT<7:5>$ , to determine the actual change that occurred.

The  $CMPxIF$  bits ( $PIR6<2:0>$ ) are the Comparator Interrupt Flags. The  $CMPxIF$  bits must be reset by clearing them. Since it is also possible to write a '1' to this register, a simulated interrupt may be initiated. [Table 24-2](#) shows the interrupt generation with respect to comparator input voltages and  $EVPOL$  bit settings.

Both the  $CMPxIE$  bits ( $PIE6<2:0>$ ) and the  $PEIE$  bit ( $INTCON<6>$ ) must be set to enable the interrupt. In addition, the  $GIE$  bit ( $INTCON<7>$ ) must also be set. If any of these bits are clear, the interrupt is not enabled, though the  $CMPxIF$  bits will still be set if an interrupt condition occurs.

A simplified diagram of the interrupt section is shown in [Figure 24-3](#).

**Note:**  $CMPxIF$  will not be set when  $EVPOL<1:0> = 00$ .

**TABLE 24-2: COMPARATOR INTERRUPT GENERATION**

| CPOL | $EVPOL<1:0>$        | Comparator Input Change | CxOUT Transition | Interrupt Generated |
|------|---------------------|-------------------------|------------------|---------------------|
| 0    | 00                  | $V_{IN+} > V_{IN-}$     | Low-to-High      | No                  |
|      |                     | $V_{IN+} < V_{IN-}$     | High-to-Low      | No                  |
|      | 01                  | $V_{IN+} > V_{IN-}$     | Low-to-High      | Yes                 |
|      |                     | $V_{IN+} < V_{IN-}$     | High-to-Low      | No                  |
|      | 10                  | $V_{IN+} > V_{IN-}$     | Low-to-High      | No                  |
|      |                     | $V_{IN+} < V_{IN-}$     | High-to-Low      | Yes                 |
| 11   | $V_{IN+} > V_{IN-}$ | Low-to-High             | Yes              |                     |
|      | $V_{IN+} < V_{IN-}$ | High-to-Low             | Yes              |                     |
| 1    | 00                  | $V_{IN+} > V_{IN-}$     | High-to-Low      | No                  |
|      |                     | $V_{IN+} < V_{IN-}$     | Low-to-High      | No                  |
|      | 01                  | $V_{IN+} > V_{IN-}$     | High-to-Low      | No                  |
|      |                     | $V_{IN+} < V_{IN-}$     | Low-to-High      | Yes                 |
|      | 10                  | $V_{IN+} > V_{IN-}$     | High-to-Low      | Yes                 |
|      |                     | $V_{IN+} < V_{IN-}$     | Low-to-High      | No                  |
| 11   | $V_{IN+} > V_{IN-}$ | High-to-Low             | Yes              |                     |
|      | $V_{IN+} < V_{IN-}$ | Low-to-High             | Yes              |                     |

# PIC18F87K90 FAMILY

## 24.7 Comparator Operation During Sleep

When a comparator is active and the device is placed in Sleep mode, the comparator remains active and the interrupt is functional, if enabled. This interrupt will wake up the device from Sleep mode, when enabled. Each operational comparator will consume additional current.

To minimize power consumption while in Sleep mode, turn off the comparators (CON = 0) before entering Sleep. If the device wakes up from Sleep, the contents of the CMxCON register are not affected.

## 24.8 Effects of a Reset

A device Reset forces the CMxCON registers to their Reset state. This forces both comparators and the voltage reference to the OFF state.

**TABLE 24-3: REGISTERS ASSOCIATED WITH COMPARATOR MODULE**

| Name                 | Bit 7    | Bit 6     | Bit 5   | Bit 4  | Bit 3  | Bit 2  | Bit 1  | Bit 0  | Reset Values on Page: |
|----------------------|----------|-----------|---------|--------|--------|--------|--------|--------|-----------------------|
| INTCON               | GIE/GIEH | PEIE/GIEL | TMR0IE  | INT0IE | RBIE   | TMR0IF | INT0IF | RBIF   | 75                    |
| PIR6                 | —        | —         | —       | EEIF   | —      | CMP3IF | CMP2IF | CMP1IF | 77                    |
| PIE6                 | —        | —         | —       | EEIE   | —      | CMP3IE | CMP2IE | CMP1IE | 80                    |
| IPR6                 | —        | —         | —       | EEIP   | —      | CMP3IP | CMP2IP | CMP1IP | 77                    |
| CM1CON               | CON      | COE       | CPOL    | EVPOL1 | EVPOL0 | CREF   | CCH1   | CCH0   | 80                    |
| CM2CON               | CON      | COE       | CPOL    | EVPOL1 | EVPOL0 | CREF   | CCH1   | CCH0   | 81                    |
| CM3CON               | CON      | COE       | CPOL    | EVPOL1 | EVPOL0 | CREF   | CCH1   | CCH0   | 81                    |
| CVRCON               | CVREN    | CVROE     | CVRSS   | CVR4   | CVR3   | CVR2   | CVR1   | CVR0   | 77                    |
| CMSTAT               | CMP3OUT  | CMP2OUT   | CMP1OUT | —      | —      | —      | —      | —      | 77                    |
| PORTF                | RF7      | RF6       | RF5     | RF4    | RF3    | RF2    | RF1    | —      | 78                    |
| LATF                 | LATF7    | LATF6     | LATF5   | LATF4  | LATF3  | LATF2  | LATF1  | —      | 78                    |
| TRISF                | TRISF7   | TRISF6    | TRISF5  | TRISF4 | TRISF3 | TRISF2 | TRISF1 | —      | 78                    |
| PORTG                | —        | —         | RG5     | RG4    | RG3    | RG2    | RG1    | RG0    | 78                    |
| LATG                 | —        | —         | —       | LATG4  | LATG3  | LATG2  | LATG1  | LATG0  | 78                    |
| TRISG                | —        | —         | —       | TRISG4 | TRISG3 | TRISG2 | TRISG1 | TRISG0 | 78                    |
| PORTH <sup>(1)</sup> | RH7      | RH6       | RH5     | RH4    | RH3    | RH2    | RH1    | RH0    | 78                    |
| LATH <sup>(1)</sup>  | LATH7    | LATH6     | LATH5   | LATH4  | LATH3  | LATH2  | LATH1  | LATH0  | 78                    |
| TRISH <sup>(1)</sup> | TRISH7   | TRISH6    | TRISH5  | TRISH4 | TRISH3 | TRISH2 | TRISH1 | TRISH0 | 78                    |

**Legend:** — = unimplemented, read as '0'.

**Note 1:** This register is not implemented on 64-pin devices.

## 25.0 COMPARATOR VOLTAGE REFERENCE MODULE

The comparator voltage reference is a 32-tap resistor ladder network that provides a selectable reference voltage. Although its primary purpose is to provide a reference for the analog comparators, it may also be used independently of them.

A block diagram of the module is shown in [Figure 25-1](#). The resistor ladder is segmented to provide a range of CVREF values and has a power-down function to conserve power when the reference is not being used. The module's supply reference can be provided from either device VDD/VSS or an external voltage reference.

### 25.1 Configuring the Comparator Voltage Reference

The comparator voltage reference module is controlled through the CVRCON register ([Register 25-1](#)). The comparator voltage reference provides a range of output voltage with 32 levels.

The CVR<4:0> selection bits (CVRCON<4:0>) offer a range of output voltages. [Equation 25-1](#) shows how the comparator voltage reference is computed.

#### EQUATION 25-1:

If CVRSS = 1:

$$CVREF = (VREF-) + (CVR<4:0>/32) \cdot (VREF+ - VREF-)$$

If CVRSS = 0:

$$CVREF = (AVSS) + (CVR<4:0>/32) \cdot (AVDD - AVSS)$$

The comparator reference supply voltage can come from either VDD and VSS, or the external VREF+ and VREF- that are multiplexed with RA3 and RA2. The voltage source is selected by the CVRSS bit (CVRCON<5>).

The settling time of the comparator voltage reference must be considered when changing the CVREF output (see [Table 31-2](#) in [Section 31.0 "Electrical Characteristics"](#)).

#### REGISTER 25-1: CVRCON: COMPARATOR VOLTAGE REFERENCE CONTROL REGISTER

|       |       |       |       |       |       |       |       |
|-------|-------|-------|-------|-------|-------|-------|-------|
| R/W-0 | R/W-0 | R/W-0 | R/W-0 | R/W-0 | R/W-0 | R/W-0 | R/W-0 |
| CVREN | CVROE | CVRSS | CVR4  | CVR3  | CVR2  | CVR1  | CVR0  |
| bit 7 |       |       |       |       |       |       | bit 0 |

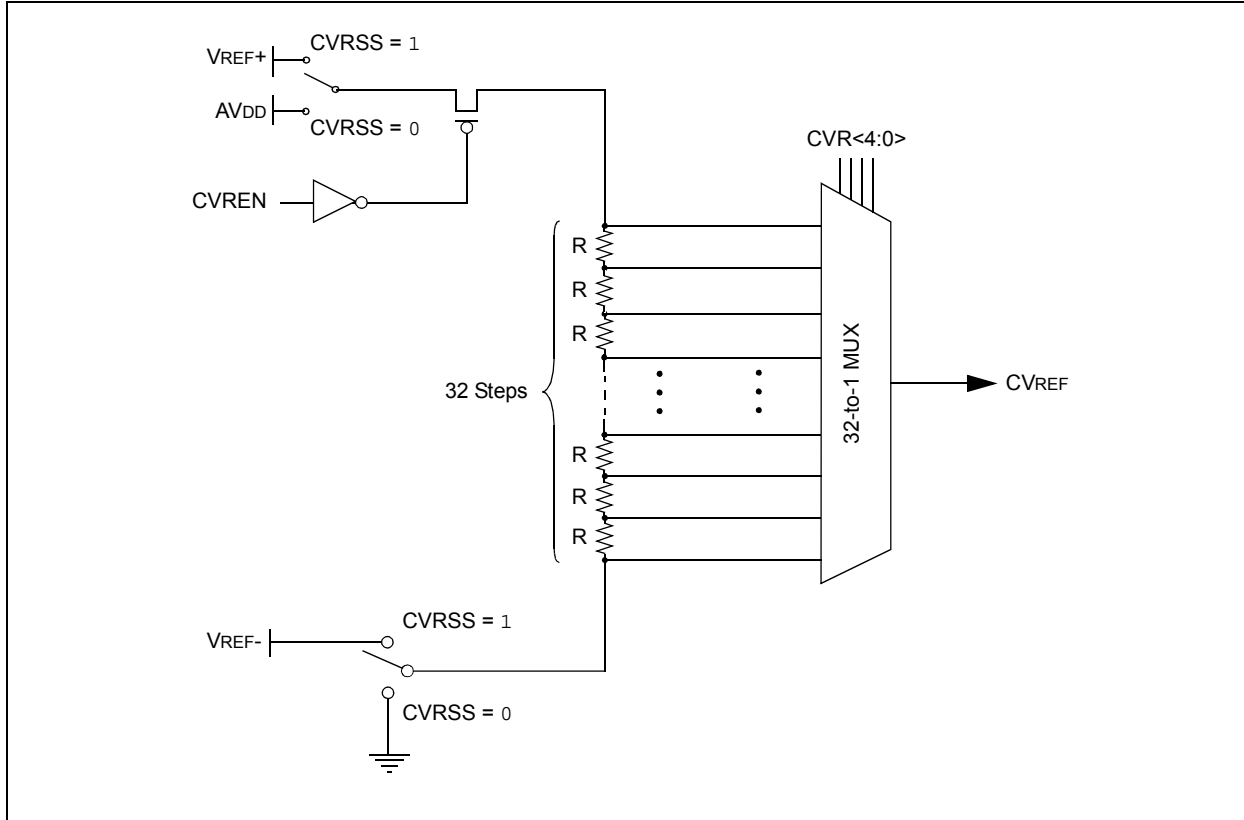
#### Legend:

|                   |                  |                                    |
|-------------------|------------------|------------------------------------|
| R = Readable bit  | W = Writable bit | U = Unimplemented bit, read as '0' |
| -n = Value at POR | '1' = Bit is set | '0' = Bit is cleared               |
|                   |                  | x = Bit is unknown                 |

- bit 7 **CVREN:** Comparator Voltage Reference Enable bit
  - 1 = CVREF circuit is powered on
  - 0 = CVREF circuit is powered down
- bit 6 **CVROE:** Comparator VREF Output Enable bit
  - 1 = CVREF voltage level is output on the CVREF pin
  - 0 = CVREF voltage level is disconnected from the CVREF pin
- bit 5 **CVRSS:** Comparator VREF Source Selection bit
  - 1 = Comparator reference source: CVRSRC = VREF+ – VREF-
  - 0 = Comparator reference source: CVRSRC = AVDD – AVSS
- bit 4-0 **CVR<4:0>:** Comparator VREF Value Selection (0 ≤ CVR<4:0> ≤ 31) bits
  - When CVRSS = 1:
  - $CVREF = (VREF-) + (CVR<4:0>/32) \cdot (VREF+ - VREF-)$
  - When CVRSS = 0:
  - $CVREF = (AVSS) + (CVR<4:0>/32) \cdot (AVDD - AVSS)$

# PIC18F87K90 FAMILY

FIGURE 25-1: COMPARATOR VOLTAGE REFERENCE BLOCK DIAGRAM



## 25.2 Voltage Reference Accuracy/Error

The full range of voltage reference cannot be realized due to the construction of the module. The transistors on the top and bottom of the resistor ladder network (Figure 25-1) keep CVREF from approaching the reference source rails. The voltage reference is derived from the reference source; therefore, the CVREF output changes with fluctuations in that source. The tested absolute accuracy of the voltage reference can be found in Section 31.0 “Electrical Characteristics”.

## 25.3 Operation During Sleep

When the device wakes up from Sleep through an interrupt or a Watchdog Timer time-out, the contents of the CVRCON register are not affected. To minimize current consumption in Sleep mode, the voltage reference should be disabled.

## 25.4 Effects of a Reset

A device Reset disables the voltage reference by clearing bit, CVREN (CVRCON<7>). This Reset also disconnects the reference from the RF5 pin by clearing bit, CVROE (CVRCON<6>).

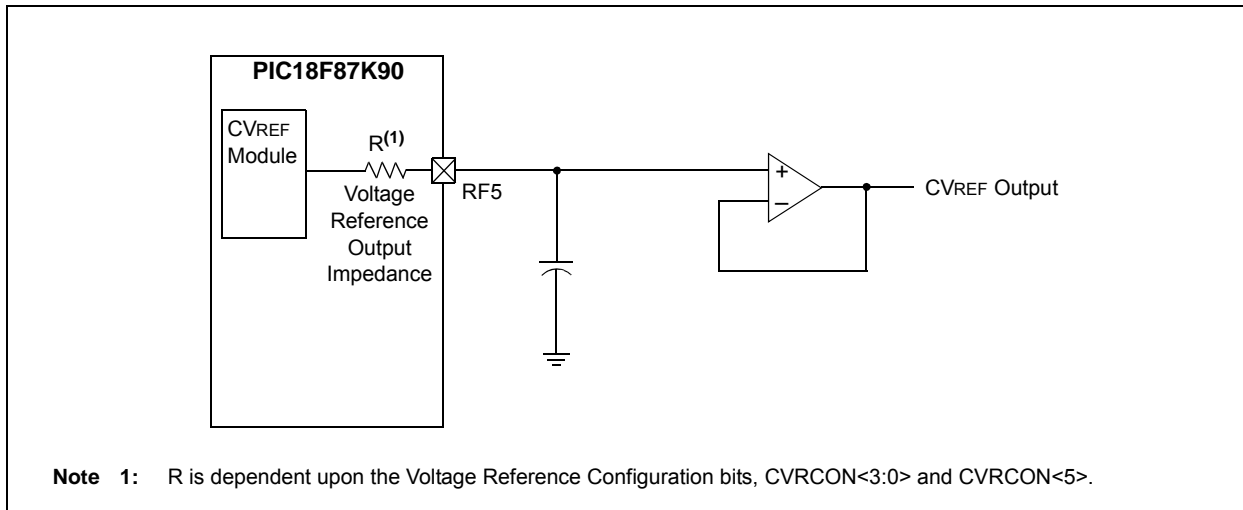
## 25.5 Connection Considerations

The voltage reference module operates independently of the comparator module. The output of the reference generator may be connected to the RF5 pin if the CVROE bit is set. Enabling the voltage reference output onto RF5, when it is configured as a digital input, will increase current consumption. Connecting RF5 as a digital output, with CVR<sub>SS</sub> enabled, will also increase current consumption.

The RF5 pin can be used as a simple D/A output with limited drive capability. Due to the limited current drive capability, a buffer must be used on the voltage reference output for external connections to VREF. Figure 25-2 shows an example buffering technique.

# PIC18F87K90 FAMILY

**FIGURE 25-2: COMPARATOR VOLTAGE REFERENCE OUTPUT BUFFER EXAMPLE**



**TABLE 25-1: REGISTERS ASSOCIATED WITH COMPARATOR VOLTAGE REFERENCE**

| Name   | Bit 7  | Bit 6  | Bit 5  | Bit 4  | Bit 3  | Bit 2  | Bit 1  | Bit 0 | Reset Values on Page: |
|--------|--------|--------|--------|--------|--------|--------|--------|-------|-----------------------|
| CVRCON | CVREN  | CVROE  | CVRSS  | CVR4   | CVR3   | CVR2   | CVR1   | CVR0  | 77                    |
| CM1CON | CON    | COE    | CPOL   | EVPOL1 | EVPOL0 | CREF   | CCH1   | CCH0  | 80                    |
| CM2CON | CON    | COE    | CPOL   | EVPOL1 | EVPOL0 | CREF   | CCH1   | CCH0  | 81                    |
| CM3CON | CON    | COE    | CPOL   | EVPOL1 | EVPOL0 | CREF   | CCH1   | CCH0  | 81                    |
| TRISF  | TRISF7 | TRISF6 | TRISF5 | TRISF4 | TRISF3 | TRISF2 | TRISF1 | —     | 78                    |

**Legend:** — = unimplemented, read as '0'. Shaded cells are not used with the comparator voltage reference.

# PIC18F87K90 FAMILY

---

NOTES:



# PIC18F87K90 FAMILY

## 26.0 HIGH/LOW-VOLTAGE DETECT (HLVD)

The PIC18F87K90 family of devices has a High/Low-Voltage Detect module (HLVD). This is a programmable circuit that sets both a device voltage trip point and the direction of change from that point. If the device experiences an excursion past the trip point in that direction, an interrupt flag is set. If the interrupt is enabled, the program execution branches to the interrupt vector address and the software responds to the interrupt.

The High/Low-Voltage Detect Control register ([Register 26-1](#)) completely controls the operation of the HLVD module. This allows the circuitry to be “turned off” by the user under software control, which minimizes the current consumption for the device.

The module’s block diagram is shown in [Figure 26-1](#).

**REGISTER 26-1: HLVDCON: HIGH/LOW-VOLTAGE DETECT CONTROL REGISTER**

|         |       |       |        |                       |                       |                       |                       |
|---------|-------|-------|--------|-----------------------|-----------------------|-----------------------|-----------------------|
| R/W-0   | R-0   | R-0   | R/W-0  | R/W-0                 | R/W-1                 | R/W-0                 | R/W-0                 |
| VDIRMAG | BGVST | IRVST | HLVDEN | HLVDL3 <sup>(1)</sup> | HLVDL2 <sup>(1)</sup> | HLVDL1 <sup>(1)</sup> | HLVDL0 <sup>(1)</sup> |
| bit 7   |       |       |        |                       |                       |                       | bit 0                 |

**Legend:**

|                   |                  |                                    |
|-------------------|------------------|------------------------------------|
| R = Readable bit  | W = Writable bit | U = Unimplemented bit, read as ‘0’ |
| -n = Value at POR | ‘1’ = Bit is set | ‘0’ = Bit is cleared               |
|                   |                  | x = Bit is unknown                 |

- bit 7      **VDIRMAG:** Voltage Direction Magnitude Select bit
  - 1 = Event occurs when voltage equals or exceeds trip point (HLVDL<3:0>)
  - 0 = Event occurs when voltage equals or falls below trip point (HLVDL<3:0>)
- bit 6      **BGVST:** Band Gap Reference Voltages Stable Status Flag bit
  - 1 = Internal band gap voltage references are stable
  - 0 = Internal band gap voltage references are not stable
- bit 5      **IRVST:** Internal Reference Voltage Stable Flag bit
  - 1 = Indicates that the voltage detect logic will generate the interrupt flag at the specified voltage range
  - 0 = Indicates that the voltage detect logic will not generate the interrupt flag at the specified voltage range and the HLVD interrupt should not be enabled
- bit 4      **HLVDEN:** High/Low-Voltage Detect Power Enable bit
  - 1 = HLVD is enabled
  - 0 = HLVD is disabled
- bit 3-0    **HLVDL<3:0>:** Voltage Detection Limit bits<sup>(1)</sup>
  - 1111 = External analog input is used (input comes from the HLVDIN pin)
  - 1110 = Maximum setting
  - .
  - .
  - .
  - 0000 = Minimum setting

**Note 1:** For the electrical specifications, see Parameter [D420](#).

# PIC18F87K90 FAMILY

The module is enabled by setting the HLVDEN bit (HLVDCON<4>). Each time the HLVD module is enabled, the circuitry requires some time to stabilize. The IRVST bit (HLVDCON<5>) is a read-only bit used to indicate when the circuit is stable. The module can only generate an interrupt after the circuit is stable and IRVST is set.

The VDIRMAG bit (HLVDCON<7>) determines the overall operation of the module. When VDIRMAG is cleared, the module monitors for drops in VDD below a predetermined set point. When the bit is set, the module monitors for rises in VDD above the set point.

## 26.1 Operation

When the HLVD module is enabled, a comparator uses an internally generated reference voltage as the set point. The set point is compared with the trip point, where each node in the resistor divider represents a

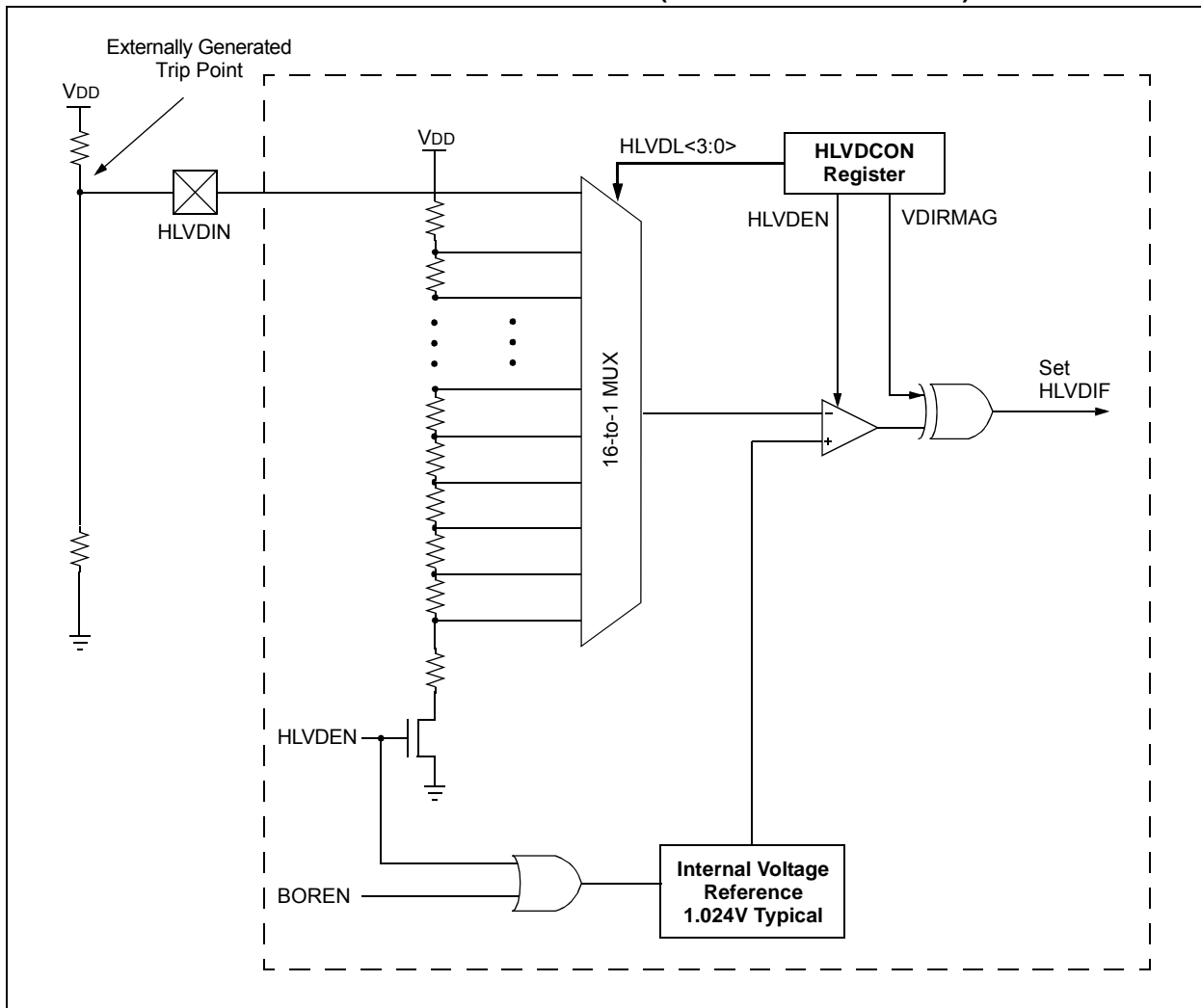
trip point voltage. The “trip point” voltage is the voltage level at which the device detects a high or low-voltage event, depending on the configuration of the module.

When the supply voltage is equal to the trip point, the voltage tapped off of the resistor array is equal to the internal reference voltage generated by the voltage reference module. The comparator then generates an interrupt signal by setting the HLVDIF bit.

The trip point voltage is software programmable to any of 16 values. The trip point is selected by programming the HLVDL<3:0> bits (HLVDCON<3:0>).

The HLVD module has an additional feature that allows the user to supply the trip voltage to the module from an external source. This mode is enabled when bits, HLVDL<3:0>, are set to ‘1111’. In this state, the comparator input is multiplexed from the external input pin, HLVDIN. This gives users the flexibility of configuring the High/Low-Voltage Detect interrupt to occur at any voltage in the valid operating range.

FIGURE 26-1: HLVD MODULE BLOCK DIAGRAM (WITH EXTERNAL INPUT)



## 26.2 HLVD Setup

To set up the HLVD module:

1. Select the desired HLVD trip point by writing the value to the HLVDL<3:0> bits.
2. Set the VDIRMAG bit to detect high voltage (VDIRMAG = 1) or low voltage (VDIRMAG = 0).
3. Enable the HLVD module by setting the HLVDEN bit.
4. Clear the HLVD interrupt flag (PIR2<2>), which may have been set from a previous interrupt.
5. If interrupts are desired, enable the HLVD interrupt by setting the HLVDIE and GIE bits (PIE2<2> and INTCON<7>, respectively).

An interrupt will not be generated until the IRVST bit is set.

**Note:** Before changing any module settings (VDIRMAG, HLVDL<3:0>), first disable the module (HLVDEN = 0), make the changes and re-enable the module. This prevents the generation of false HLVD events.

## 26.3 Current Consumption

When the module is enabled, the HLVD comparator and voltage divider are enabled and consume static current. The total current consumption, when enabled, is specified in electrical specification Parameter D022B (Table 31-10).

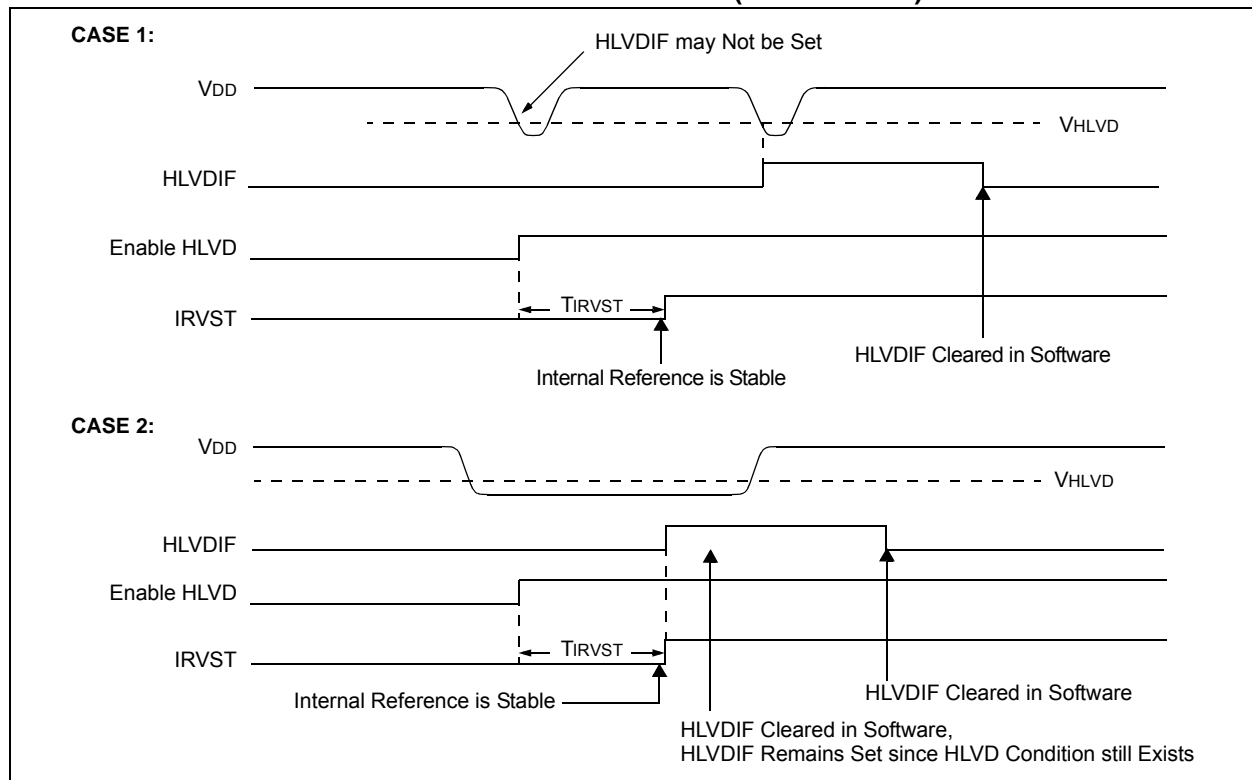
Depending on the application, the HLVD module does not need to operate constantly. To reduce current requirements, the HLVD circuitry may only need to be enabled for short periods where the voltage is checked. After such a check, the module could be disabled.

## 26.4 HLVD Start-up Time

The internal reference voltage of the HLVD module, specified in electrical specification Parameter 37 (Section 31.0 “Electrical Characteristics”), may be used by other internal circuitry, such as the programmable Brown-out Reset. If the HLVD or other circuits using the voltage reference are disabled to lower the device’s current consumption, the reference voltage circuit will require time to become stable before a low or high-voltage condition can be reliably detected. This start-up time, T<sub>IRVST</sub>, is an interval that is independent of device clock speed. It is specified in electrical specification Parameter 36 (Table 31-10).

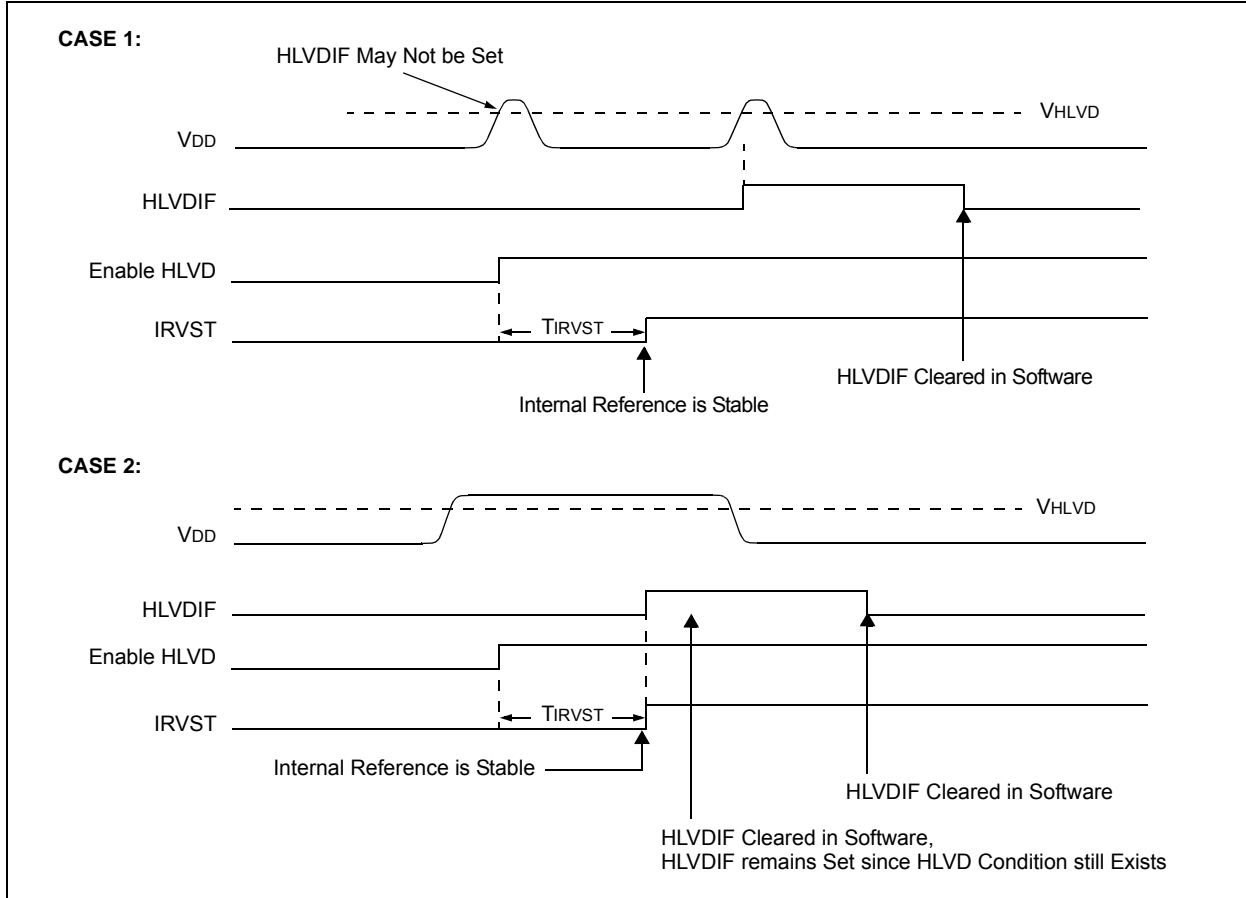
The HLVD interrupt flag is not enabled until T<sub>IRVST</sub> has expired and a stable reference voltage is reached. For this reason, brief excursions beyond the set point may not be detected during this interval (see Figure 26-2 or Figure 26-3).

**FIGURE 26-2: LOW-VOLTAGE DETECT OPERATION (VDIRMAG = 0)**



# PIC18F87K90 FAMILY

**FIGURE 26-3: HIGH-VOLTAGE DETECT OPERATION (VDIRMAG = 1)**

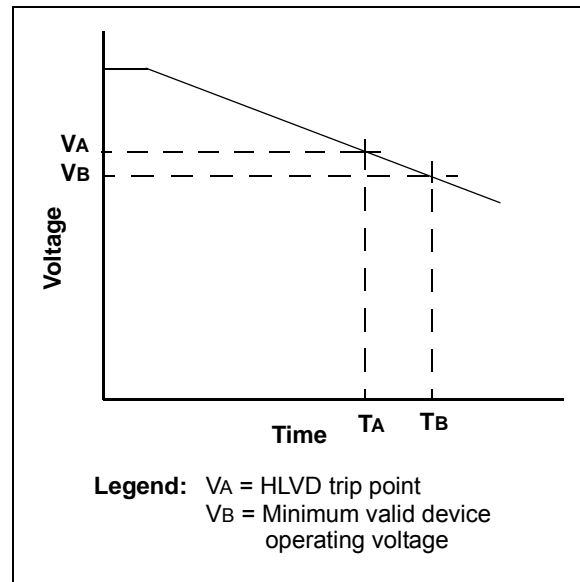


## 26.5 Applications

In many applications, it is desirable to detect a drop below, or rise above, a particular voltage threshold. For example, the HLVD module could be periodically enabled to detect Universal Serial Bus (USB) attach or detach. This assumes the device is powered by a lower voltage source than the USB when detached. An attach would indicate a High-Voltage Detect from, for example, 3.3V to 5V (the voltage on USB) and vice versa for a detach. This feature could save a design a few extra components and an attach signal (input pin).

For general battery applications, [Figure 26-4](#) shows a possible voltage curve. Over time, the device voltage decreases. When the device voltage reaches voltage, V<sub>A</sub>, the HLVD logic generates an interrupt at time, T<sub>A</sub>. The interrupt could cause the execution of an ISR (Interrupt Service Routine), which would allow the application to perform “housekeeping tasks” and a controlled shutdown before the device voltage exits the valid operating range at T<sub>B</sub>. This would give the application a time window, represented by the difference between T<sub>A</sub> and T<sub>B</sub>, to safely exit.

**FIGURE 26-4: TYPICAL LOW-VOLTAGE DETECT APPLICATION**



# PIC18F87K90 FAMILY

## 26.6 Operation During Sleep

When enabled, the HLVD circuitry continues to operate during Sleep. If the device voltage crosses the trip point, the HLVDIF bit will be set and the device will wake-up from Sleep. Device execution will continue from the interrupt vector address if interrupts have been globally enabled.

## 26.7 Effects of a Reset

A device Reset forces all registers to their Reset state. This forces the HLVD module to be turned off.

**TABLE 26-1: REGISTERS ASSOCIATED WITH HIGH/LOW-VOLTAGE DETECT MODULE**

| Name    | Bit 7                 | Bit 6                 | Bit 5  | Bit 4  | Bit 3  | Bit 2  | Bit 1  | Bit 0   | Reset Values on Page: |
|---------|-----------------------|-----------------------|--------|--------|--------|--------|--------|---------|-----------------------|
| HLVDCON | VDIRMAG               | BGVST                 | IRVST  | HLVDEN | HLVDL3 | HLVDL2 | HLVDL1 | HLVDL0  | 77                    |
| INTCON  | GIE/GIEH              | PEIE/GIEL             | TMR0IE | INT0IE | RBIE   | TMR0IF | INT0IF | RBIF    | 75                    |
| PIR2    | OSCFIF                | —                     | SSP2IF | BLC2IF | BCL1IF | HLVDIF | TMR3IF | TMR3GIF | 77                    |
| PIE2    | OSCFIE                | —                     | SSP2IE | BLC2IE | BCL1IE | HLVDIE | TMR3IE | TMR3GIE | 77                    |
| IPR2    | OSCFIP                | —                     | SSP2IP | BLC2IP | BCL1IP | HLVDIP | TMR3IP | TMR3GIP | 77                    |
| TRISA   | TRISA7 <sup>(1)</sup> | TRISA6 <sup>(1)</sup> | TRISA5 | TRISA4 | TRISA3 | TRISA2 | TRISA1 | TRISA0  | 78                    |

**Legend:** — = unimplemented, read as '0'. Shaded cells are unused by the HLVD module.

**Note 1:** PORTA<7:6> and their direction bits are individually configured as port pins based on various primary oscillator modes. When disabled, these bits read as '0'.

# PIC18F87K90 FAMILY

---

NOTES:

## 27.0 CHARGE TIME MEASUREMENT UNIT (CTMU)

The Charge Time Measurement Unit (CTMU) is a flexible analog module that provides accurate differential time measurement between pulse sources, as well as asynchronous pulse generation. By working with other on-chip analog modules, the CTMU can precisely measure time, capacitance and relative changes in capacitance or generate output pulses with a specific time delay. The CTMU is ideal for interfacing with capacitive-based sensors.

The module includes these key features:

- Up to 24 channels available for capacitive or time measurement input
- On-chip precision current source
- Four-edge input trigger sources
- Polarity control for each edge source
- Control of edge sequence

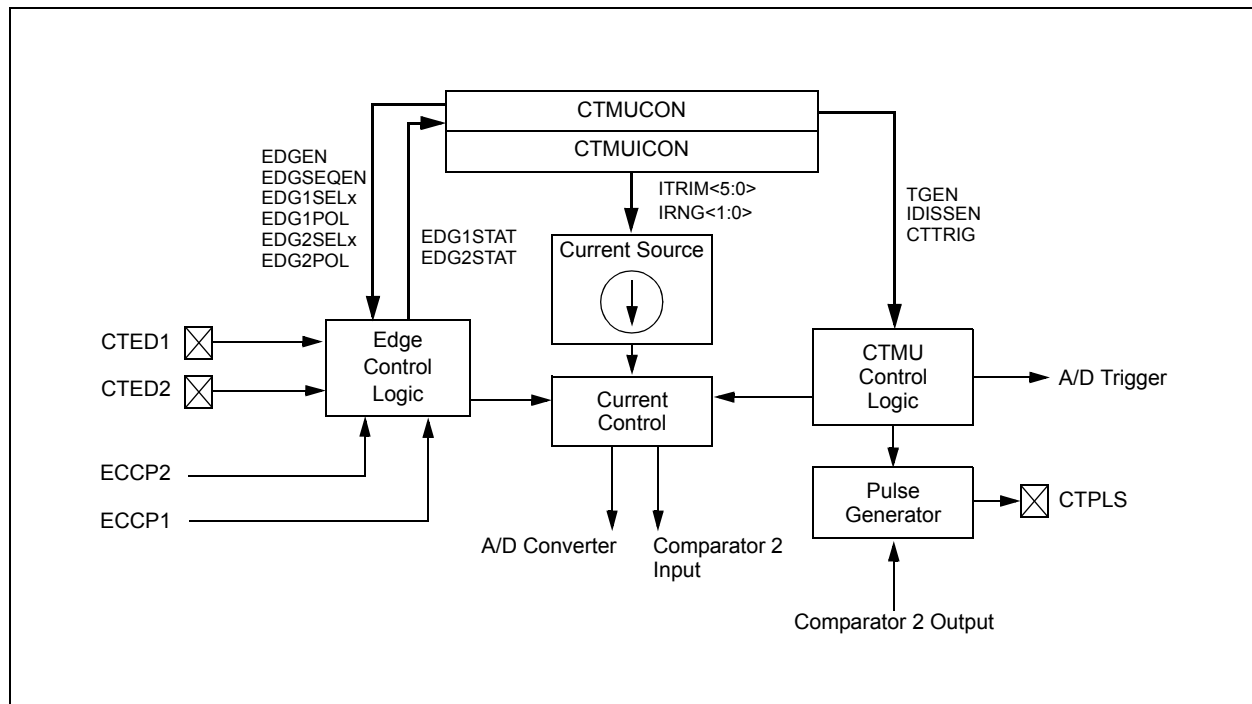
- Control of response to edges
- Time measurement resolution of 1 nanosecond
- High-precision time measurement
- Time delay of external or internal signal asynchronous to system clock
- Accurate current source suitable for capacitive measurement

The CTMU works in conjunction with the A/D Converter to provide up to 24 channels for time or charge measurement, depending on the specific device and the number of A/D channels available. When configured for time delay, the CTMU is connected to one of the analog comparators. The level-sensitive input edge sources can be selected from four sources: two external inputs or the ECCP1/ECCP2 Special Event Triggers.

The CTMU special event can trigger the Analog-to-Digital Converter module.

Figure 27-1 provides a block diagram of the CTMU.

**FIGURE 27-1: CTMU BLOCK DIAGRAM**



# PIC18F87K90 FAMILY

## 27.1 CTMU Registers

The control registers for the CTMU are:

- CTMUCONH
- CTMUCONL
- CTMUICON

The CTMUCONH and CTMUCONL registers ([Register 27-1](#) and [Register 27-2](#)) contain control bits for configuring the CTMU module edge source selection, edge source polarity selection, edge sequencing, A/D trigger, analog circuit capacitor discharge and enables. The CTMUICON register ([Register 27-3](#)) has bits for selecting the current source range and current source trim.

### REGISTER 27-1: CTMUCONH: CTMU CONTROL HIGH REGISTER

|        |     |          |       |       |          |         |        |
|--------|-----|----------|-------|-------|----------|---------|--------|
| R/W-0  | U-0 | R/W-0    | R/W-0 | R/W-0 | R/W-0    | R/W-0   | R/W-0  |
| CTMUEN | —   | CTMUSIDL | TGEN  | EDGEN | EDGSEQEN | IDISSEN | CTTRIG |
| bit 7  |     |          |       |       |          |         | bit 0  |

#### Legend:

R = Readable bit

W = Writable bit

U = Unimplemented bit, read as '0'

-n = Value at POR

'1' = Bit is set

'0' = Bit is cleared

x = Bit is unknown

- bit 7      **CTMUEN:** CTMU Enable bit  
           1 = Module is enabled  
           0 = Module is disabled
- bit 6      **Unimplemented:** Read as '0'
- bit 5      **CTMUSIDL:** Stop in Idle Mode bit  
           1 = Discontinue module operation when device enters Idle mode  
           0 = Continue module operation in Idle mode
- bit 4      **TGEN:** Time Generation Enable bit  
           1 = Enables edge delay generation  
           0 = Disables edge delay generation
- bit 3      **EDGEN:** Edge Enable bit  
           1 = Edges are not blocked  
           0 = Edges are blocked
- bit 2      **EDGSEQEN:** Edge Sequence Enable bit  
           1 = Edge 1 event must occur before Edge 2 event can occur  
           0 = No edge sequence is needed
- bit 1      **IDISSEN:** Analog Current Source Control bit  
           1 = Analog current source output is grounded  
           0 = Analog current source output is not grounded
- bit 0      **CTTRIG:** Trigger Control bit  
           1 = Trigger output is enabled  
           0 = Trigger output is disabled



# PIC18F87K90 FAMILY

## REGISTER 27-2: CTMUCONL: CTMU CONTROL LOW REGISTER

|         |          |          |         |          |          |          |          |
|---------|----------|----------|---------|----------|----------|----------|----------|
| R/W-0   | R/W-0    | R/W-0    | R/W-0   | R/W-0    | R/W-0    | R/W-0    | R/W-0    |
| EDG2POL | EDG2SEL1 | EDG2SEL0 | EDG1POL | EDG1SEL1 | EDG1SEL0 | EDG2STAT | EDG1STAT |
| bit 7   |          |          |         |          |          |          | bit 0    |

### Legend:

|                   |                  |                                    |
|-------------------|------------------|------------------------------------|
| R = Readable bit  | W = Writable bit | U = Unimplemented bit, read as '0' |
| -n = Value at POR | '1' = Bit is set | '0' = Bit is cleared               |
|                   |                  | x = Bit is unknown                 |

- bit 7      **EDG2POL:** Edge 2 Polarity Select bit  
 1 = Edge 2 is programmed for a positive edge response  
 0 = Edge 2 is programmed for a negative edge response
- bit 6-5    **EDG2SEL<1:0>:** Edge 2 Source Select bits  
 11 = CTED1 pin  
 10 = CTED2 pin  
 01 = ECCP1 Special Event Trigger  
 00 = ECCP2 Special Event Trigger
- bit 4      **EDG1POL:** Edge 1 Polarity Select bit  
 1 = Edge 1 is programmed for a positive edge response  
 0 = Edge 1 is programmed for a negative edge response
- bit 3-2    **EDG1SEL<1:0>:** Edge 1 Source Select bits  
 11 = CTED1 pin  
 10 = CTED2 pin  
 01 = ECCP1 Special Event Trigger  
 00 = ECCP2 Special Event Trigger
- bit 1      **EDG2STAT:** Edge 2 Status bit  
 1 = Edge 2 event has occurred  
 0 = Edge 2 event has not occurred
- bit 0      **EDG1STAT:** Edge 1 Status bit  
 1 = Edge 1 event has occurred  
 0 = Edge 1 event has not occurred

# PIC18F87K90 FAMILY

## REGISTER 27-3: CTMUICON: CTMU CURRENT CONTROL REGISTER

|        |        |        |        |        |        |       |       |
|--------|--------|--------|--------|--------|--------|-------|-------|
| R/W-0  | R/W-0  | R/W-0  | R/W-0  | R/W-0  | R/W-0  | R/W-0 | R/W-0 |
| ITRIM5 | ITRIM4 | ITRIM3 | ITRIM2 | ITRIM1 | ITRIM0 | IRNG1 | IRNG0 |
| bit 7  |        |        |        |        |        | bit 0 |       |

### Legend:

|                   |                  |  |
|-------------------|------------------|--|
| R = Readable bit  | W = Writable bit | U = Unimplemented bit, read as '0'           |
| -n = Value at POR | '1' = Bit is set | '0' = Bit is cleared      x = Bit is unknown |

bit 7-2      **ITRIM<5:0>**: Current Source Trim bits

011111 = Maximum positive change from nominal current  
011110  
.  
.  
.  
000001 = Minimum positive change from nominal current  
000000 = Nominal current output specified by IRNG<1:0>  
111111 = Minimum negative change from nominal current  
.  
.  
.  
100010  
100001 = Maximum negative change from nominal current

bit 1-0      **IRNG<1:0>**: Current Source Range Select bits

11 = 100 x Base Current  
10 = 10 x Base Current  
01 = Base current level (0.55  $\mu$ A nominal)  
00 = Current source disabled

## 27.2 CTMU Operation

The CTMU works by using a fixed current source to charge a circuit. The type of circuit depends on the type of measurement being made.

In the case of charge measurement, the current is fixed and the amount of time the current is applied to the circuit is fixed. The amount of voltage read by the A/D becomes a measurement of the circuit's capacitance.

In the case of time measurement, the current, as well as the capacitance of the circuit, is fixed. In this case, the voltage read by the A/D is representative of the amount of time elapsed from the time the current source starts and stops charging the circuit.

If the CTMU is being used as a time delay, both capacitance and current source are fixed, as well as the voltage supplied to the comparator circuit. The delay of a signal is determined by the amount of time it takes the voltage to charge to the comparator threshold voltage.

### 27.2.1 THEORY OF OPERATION

The operation of the CTMU is based on the equation for charge:

$$C = I \cdot \frac{dV}{dT}$$

More simply, the amount of charge measured in coulombs in a circuit is defined as current in amperes (I) multiplied by the amount of time in seconds that the current flows (t). Charge is also defined as the capacitance in farads (C) multiplied by the voltage of the circuit (V). It follows that:

$$I \cdot t = C \cdot V$$

The CTMU module provides a constant, known current source. The A/D Converter is used to measure (V) in the equation, leaving two unknowns: capacitance (C) and time (t). The above equation can be used to calculate capacitance or time, by either the relationship using the known fixed capacitance of the circuit:

$$t = (C \cdot V)/I$$

or by:

$$C = (I \cdot t)/V$$

using a fixed time that the current source is applied to the circuit.

### 27.2.2 CURRENT SOURCE

At the heart of the CTMU is a precision current source, designed to provide a constant reference for measurements. The level of current is user-selectable across three ranges or a total of two orders of magnitude, with the ability to trim the output in  $\pm 2\%$  increments (nominal). The current range is selected by the IRNG<1:0> bits (CTMUICON<1:0>), with a value of '00' representing the lowest range.

Current trim is provided by the ITRIM<5:0> bits (CTMUICON<7:2>). These six bits allow trimming of the current source in steps of approximately 2% per step. Half of the range adjusts the current source positively and the other half reduces the current source. A value of '000000' is the neutral position (no change). A value of '100000' is the maximum negative adjustment (approximately -62%) and '011111' is the maximum positive adjustment (approximately +62%).

### 27.2.3 EDGE SELECTION AND CONTROL

CTMU measurements are controlled by edge events occurring on the module's two input channels. Each channel, referred to as Edge 1 and Edge 2, can be configured to receive input pulses from one of the edge input pins (CTED1 and CTED2) or CCPx Special Event Triggers. The input channels are level-sensitive, responding to the instantaneous level on the channel rather than a transition between levels. The inputs are selected using the EDG1SEL and EDG2SEL bit pairs (CTMUCONL<3:2, 6:5>).

In addition to source, each channel can be configured for event polarity using the EDGE2POL and EDGE1POL bits (CTMUCONL<7,4>). The input channels can also be filtered for an edge event sequence (Edge 1 occurring before Edge 2) by setting the EDGSEQEN bit (CTMUCONH<2>).

### 27.2.4 EDGE STATUS

The CTMUCON register also contains two status bits, EDG2STAT and EDG1STAT (CTMUCONL<1:0>). Their primary function is to show if an edge response has occurred on the corresponding channel. The CTMU automatically sets a particular bit when an edge response is detected on its channel. The level-sensitive nature of the input channels also means that the status bits become set immediately if the channel's configuration is changed and matches the channel's current state.

The module uses the edge status bits to control the current source output to external analog modules (such as the A/D Converter). Current is only supplied to external modules when only one (not both) of the status bits is set. Current is shut off when both bits are either set or cleared. This allows the CTMU to measure current only during the interval between edges. After both status bits are set, it is necessary to clear them before another measurement is taken. Both bits should be cleared simultaneously, if possible, to avoid re-enabling the CTMU current source.

In addition to being set by the CTMU hardware, the edge status bits can also be set by software. This permits a user application to manually enable or disable the current source. Setting either (but not both) of the bits enables the current source. Setting or clearing both bits at once disables the source.

# PIC18F87K90 FAMILY

## 27.2.5 INTERRUPTS

The CTMU sets its interrupt flag (PIR3<3>) whenever the current source is enabled, then disabled. An interrupt is generated only if the corresponding interrupt enable bit (PIE3<3>) is also set. If edge sequencing is not enabled (i.e., Edge 1 must occur before Edge 2), it is necessary to monitor the edge status bits and determine which edge occurred last and caused the interrupt.

## 27.3 CTMU Module Initialization

The following sequence is a general guideline used to initialize the CTMU module:

1. Select the current source range using the IRNGx bits (CTMUICON<1:0>).
2. Adjust the current source trim using the ITRIMx bits (CTMUICON<7:2>).
3. Configure the edge input sources for Edge 1 and Edge 2 by setting the EDG1SEL and EDG2SEL bits (CTMUCONL<3:2> and <6:5>, respectively).
4. Configure the input polarities for the edge inputs using the EDG2POL and EDG1POL bits (CTMUCONL<7,4>).

The default configuration is for negative edge polarity (high-to-low transitions).

5. Enable edge sequencing using the EDGSEQEN bit (CTMUCONH<2>).

By default, edge sequencing is disabled.

6. Select the operating mode (Measurement or Time Delay) with the TGEN bit.

The default mode is the Time/Capacitance Measurement.

7. Configure the module to automatically trigger an A/D conversion when the second edge event has occurred using the CTRIG bit (CTMUCONH<0>).

The conversion trigger is disabled by default.

8. Discharge the connected circuit by setting the IDISSEN bit (CTMUCONH<1>).
9. After waiting a sufficient time for the circuit to discharge, clear IDISSEN.
10. Disable the module by clearing the CTMUEN bit (CTMUCONH<7>).
11. Clear the Edge Status bits, EDG2STAT and EDG1STAT (CTMUCONL<1:0>).
12. Enable both edge inputs by setting the EDGEN bit (CTMUCONH<3>).
13. Enable the module by setting the CTMUEN bit.

Depending on the type of measurement or pulse generation being performed, one or more additional modules may also need to be initialized and configured with the CTMU module:

- Edge Source Generation: In addition to the external edge input pins, CCPx Special Event Triggers can be used as edge sources for the CTMU.
- Capacitance or Time Measurement: The CTMU module uses the A/D Converter to measure the voltage across a capacitor that is connected to one of the analog input channels.
- Pulse Generation: When generating system clock independent, output pulses, the CTMU module uses Comparator 2 and the associated comparator voltage reference.

## 27.4 Calibrating the CTMU Module

The CTMU requires calibration for precise measurements of capacitance and time, as well as for accurate time delay. If the application only requires measurement of a relative change in capacitance or time, calibration is usually not necessary. An example of a lesser precision application is a capacitive touch switch, in which the touch circuit has a baseline capacitance and the added capacitance of the human body changes the overall capacitance of a circuit.

If actual capacitance or time measurement is required, two hardware calibrations must take place:

- The current source needs calibration to set it to a precise current.
- The circuit being measured needs calibration to measure or nullify any capacitance other than that to be measured.

### 27.4.1 CURRENT SOURCE CALIBRATION

The current source on board the CTMU module has a range of  $\pm 60\%$  nominal for each of three current ranges. For precise measurements, it is possible to measure and adjust this current source by placing a high-precision resistor,  $R_{CAL}$ , onto an unused analog channel. An example circuit is shown in [Figure 27-2](#).

To measure the current source:

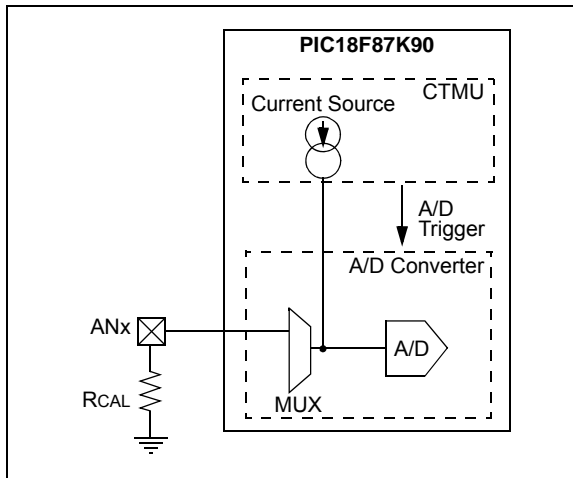
1. Initialize the A/D Converter.
2. Initialize the CTMU.
3. Enable the current source by setting EDG1STAT (CTMUCONL<0>).
4. Issue the settling time delay.
5. Perform the A/D conversion.
6. Calculate the current source current using  $I = V/R_{CAL}$ , where  $R_{CAL}$  is a high-precision resistance and  $V$  is measured by performing an A/D conversion.

The CTMU current source may be trimmed with the trim bits in CTMUICON using an iterative process to get the exact current desired. Alternatively, the nominal value without adjustment may be used. That value may be stored by software for use in all subsequent capacitive or time measurements.

To calculate the value for  $R_{CAL}$ , the nominal current must be chosen. Then, the resistance can be calculated.

For example, if the A/D Converter reference voltage is 3.3V, use 70% of full scale (or 2.31V) as the desired approximate voltage to be read by the A/D Converter. If the range of the CTMU current source is selected to be 0.55  $\mu\text{A}$ , the resistor value needed is calculated as,  $R_{CAL} = 2.31\text{V}/0.55 \mu\text{A}$ , for a value of 4.2 M $\Omega$ . Similarly, if the current source is chosen to be 5.5  $\mu\text{A}$ ,  $R_{CAL}$  would be 420,000 $\Omega$ , and 42,000 $\Omega$  if the current source is set to 55  $\mu\text{A}$ .

**FIGURE 27-2: CTMU CURRENT SOURCE CALIBRATION CIRCUIT**



A value of 70% of full-scale voltage is chosen to make sure that the A/D Converter was in a range that is well above the noise floor. If an exact current is chosen to incorporate the trimming bits from CTMUICON, the resistor value of  $R_{CAL}$  may need to be adjusted accordingly.  $R_{CAL}$  may also be adjusted to allow for available resistor values.  $R_{CAL}$  should be of the highest precision available, in light of the precision needed for the circuit that the CTMU will be measuring. A recommended minimum would be 0.1% tolerance.

The following examples show a typical method for performing a CTMU current calibration.

- [Example 27-1](#) demonstrates how to initialize the A/D Converter and the CTMU.

This routine is typical for applications using both modules.

- [Example 27-2](#) demonstrates one method for the actual calibration routine.

This method manually triggers the A/D Converter to demonstrate the entire step-wise process. It is also possible to automatically trigger the conversion by setting the CTMU's CTTRIG bit (CTMUCONH<0>).

# PIC18F87K90 FAMILY

## EXAMPLE 27-1: SETUP FOR CTMU CALIBRATION ROUTINES

```
#include "p18cxxx.h"
/*****
/*Setup CTMU *****/
/*****
void setup(void)

{ //CTMUCON - CTMU Control register

    CTMUCONH = 0x00;           //make sure CTMU is disabled
    CTMUCONL = 0X90;
    //CTMU continues to run when emulator is stopped,CTMU continues
    //to run in idle mode,Time Generation mode disabled, Edges are blocked
    //No edge sequence order, Analog current source not grounded, trigger
    //output disabled, Edge2 polarity = positive level, Edge2 source =
    //source 0, Edgel polarity = positive level, Edgel source = source 0,
    // Set Edge status bits to zero

    //CTMUICON - CTMU Current Control Register
    CTMUICON = 0x01;           //0.55uA, Nominal - No Adjustment

/*****
//Setup AD converter;
/*****

    TRISA=0x04;                //set channel 2 as an input

    // Configured AN2 as an analog channel
    // ANCON0
    ANCON0 = 0X04;
    // ANCON1
    ANCON1 = 0XE0;

    // ADCON1
    ADCON2bits.ADFM=1;         //Result format 1= Right justified
    ADCON2bits.ACQT=1;         //Acquisition time 7 = 20TAD 2 = 4TAD 1=2TAD
    ADCON2bits.ADCS=2;         //Clock conversion bits 6= FOSC/64 2=FOSC/32

    // ADCON0
    ADCON1bits.VCFG0 =0;       //Vref+ = AVdd
    ADCON1bits.VCFG1 =0;       //Vref+ = AVdd
    ADCON1bits.VNCFG =0;       //Vref- = AVss
    ADCON0bits.CHS=2;          //Select ADC channel

    ADCON0bits.ADON=1;         //Turn on ADC

}
```

# PIC18F87K90 FAMILY

## EXAMPLE 27-2: CURRENT CALIBRATION ROUTINE

```
#include "p18cxxx.h"

#define COUNT 500 // @ 8MHz = 125uS.
#define DELAY for(i=0;i<COUNT;i++)
#define RCAL .027 // R value is 4200000 (4.2M)
// scaled so that result is in
// 1/100th of uA

#define ADSCALE 1023 // for unsigned conversion 10 sig bits
#define ADREF 3.3 // Vdd connected to A/D Vr+

int main(void)
{
    int i;
    int j = 0; // index for loop
    unsigned int Vread = 0;
    double VTot = 0;
    float Vavg=0, Vcal=0, CTMUISrc = 0; // float values stored for calcs

    // assume CTMU and A/D have been setup correctly
    // see Example 25-1 for CTMU & A/D setup
    setup();

    CTMUCONHbits.CTMUEN = 1; // Enable the CTMU
    for(j=0;j<10;j++)
    {
        CTMUCONHbits.IDISSEN = 1; // drain charge on the circuit
        DELAY; // wait 125us
        CTMUCONHbits.IDISSEN = 0; // end drain of circuit

        CTMUCONLbits.EDG1STAT = 1; // Begin charging the circuit
        // using CTMU current source
        DELAY; // wait for 125us
        CTMUCONLbits.EDG1STAT = 0; // Stop charging circuit

        PIR1bits.ADIF = 0; // make sure A/D Int not set
        ADCON0bits.GO=1; // and begin A/D conv.
        while(!PIR1bits.ADIF); // Wait for A/D convert complete

        Vread = ADRES; // Get the value from the A/D
        PIR1bits.ADIF = 0; // Clear A/D Interrupt Flag
        VTot += Vread; // Add the reading to the total
    }

    Vavg = (float)(VTot/10.000); // Average of 10 readings
    Vcal = (float)(Vavg/ADSCALE*ADREF);
    CTMUISrc = Vcal/RCAL; // CTMUISrc is in 1/100ths of uA
}
```

# PIC18F87K90 FAMILY

---

## 27.4.2 CAPACITANCE CALIBRATION

There is a small amount of capacitance from the internal A/D Converter sample capacitor, as well as stray capacitance from the circuit board traces and pads that affect the precision of capacitance measurements. A measurement of the stray capacitance can be taken by making sure the desired capacitance to be measured has been removed.

After removing the capacitance to be measured:

1. Initialize the A/D Converter and the CTMU.
2. Set EDG1STAT (= 1).
3. Wait for a fixed delay of time,  $t$ .
4. Clear EDG1STAT.
5. Perform an A/D conversion.
6. Calculate the stray and A/D sample capacitances:

$$COFFSET = C_{STRAY} + C_{AD} = (I \cdot t) / V$$

Where:

- $I$  is known from the current source measurement step
- $t$  is a fixed delay
- $V$  is measured by performing an A/D conversion

This measured value is then stored and used for calculations of time measurement or subtracted for capacitance measurement. For calibration, it is expected that the capacitance of  $C_{STRAY} + C_{AD}$  is approximately known;  $C_{AD}$  is approximately 4 pF.

An iterative process may be required to adjust the time,  $t$ , that the circuit is charged to obtain a reasonable voltage reading from the A/D Converter. The value of  $t$  may be determined by setting  $COFFSET$  to a theoretical value and solving for  $t$ . For example, if  $C_{STRAY}$  is theoretically calculated to be 11 pF, and  $V$  is expected to be 70% of  $V_{DD}$  or 2.31V,  $t$  would be:

$$(4 \text{ pF} + 11 \text{ pF}) \cdot 2.31 \text{ V} / 0.55 \text{ } \mu\text{A}$$

or 63  $\mu\text{s}$ .

See [Example 27-3](#) for a typical routine for CTMU capacitance calibration.



## EXAMPLE 27-3: CAPACITANCE CALIBRATION ROUTINE

```
#include "p18cxxx.h"

#define COUNT 25 // @ 8MHz INTFRC = 62.5 us.
#define ETIME COUNT*2.5 // time in uS
#define DELAY for(i=0;i<COUNT;i++)
#define ADSCALE 1023 // for unsigned conversion 10 sig bits
#define ADREF 3.3 // Vdd connected to A/D Vr+
#define RCAL .027 // R value is 4200000 (4.2M)
// scaled so that result is in
// 1/100th of uA

int main(void)
{
    int i;
    int j = 0; // index for loop
    unsigned int Vread = 0;
    float CTMUISrc, CTMUCap, Vavg, VTot, Vcal;

    // assume CTMU and A/D have been setup correctly
    // see Example 25-1 for CTMU & A/D setup
    setup();

    CTMUCONHbits.CTMUEN = 1; // Enable the CTMU
    for(j=0;j<10;j++)
    {
        CTMUCONHbits.IDISSEN = 1; // drain charge on the circuit
        DELAY; // wait 125us
        CTMUCONHbits.IDISSEN = 0; // end drain of circuit

        CTMUCONLbits.EDG1STAT = 1; // Begin charging the circuit
        // using CTMU current source
        DELAY; // wait for 125us
        CTMUCONLbits.EDG1STAT = 0; // Stop charging circuit

        PIR1bits.ADIF = 0; // make sure A/D Int not set
        ADCON0bits.GO=1; // and begin A/D conv.
        while(!PIR1bits.ADIF); // Wait for A/D convert complete

        Vread = ADRES; // Get the value from the A/D
        PIR1bits.ADIF = 0; // Clear A/D Interrupt Flag
        VTot += Vread; // Add the reading to the total
    }

    Vavg = (float)(VTot/10.000); // Average of 10 readings
    Vcal = (float)(Vavg/ADSCALE*ADREF);
    CTMUISrc = Vcal/RCAL; // CTMUISrc is in 1/100ths of uA
    CTMUCap = (CTMUISrc*ETIME/Vcal)/100;
}
```

# PIC18F87K90 FAMILY

---

## 27.5 Measuring Capacitance with the CTMU

There are two ways to measure capacitance with the CTMU. The absolute method measures the actual capacitance value. The relative method only measures for any change in the capacitance.

### 27.5.1 ABSOLUTE CAPACITANCE MEASUREMENT

For absolute capacitance measurements, both the current and capacitance calibration steps, found in [Section 27.4 “Calibrating the CTMU Module”](#), should be followed.

To perform these measurements:

1. Initialize the A/D Converter.
2. Initialize the CTMU.
3. Set EDG1STAT.
4. Wait for a fixed delay, T.
5. Clear EDG1STAT.
6. Perform an A/D conversion.
7. Calculate the total capacitance,  $C_{TOTAL} = (I * T)/V$ , where:
  - I is known from the current source measurement step ([Section 27.4.1 “Current Source Calibration”](#))
  - T is a fixed delay
  - V is measured by performing an A/D conversion
8. Subtract the stray and A/D capacitance (COFFSET from [Section 27.4.2 “Capacitance Calibration”](#)) from  $C_{TOTAL}$  to determine the measured capacitance.

### 27.5.2 RELATIVE CHARGE MEASUREMENT

Not all applications require precise capacitance measurements. When detecting a valid press of a capacitance-based switch, only a relative change of capacitance needs to be detected.

In such an application, when the switch is open (or not touched), the total capacitance is the capacitance of the combination of the board traces, the A/D Converter and other elements. A larger voltage will be measured by the A/D Converter. When the switch is closed (or touched), the total capacitance is larger due to the addition of the capacitance of the human body to the above listed capacitances and a smaller voltage will be measured by the A/D Converter.

To detect capacitance changes simply:

1. Initialize the A/D Converter and the CTMU.
2. Set EDG1STAT.
3. Wait for a fixed delay.
4. Clear EDG1STAT.
5. Perform an A/D conversion.

The voltage measured by performing the A/D conversion is an indication of the relative capacitance. In this case, no calibration of the current source or circuit capacitance measurement is needed. (For a sample software routine for a capacitive touch switch, see [Example 27-4.](#))

## EXAMPLE 27-4: ROUTINE FOR CAPACITIVE TOUCH SWITCH

```
#include "p18cxxx.h"

#define COUNT 500 // @ 8MHz = 125uS.
#define DELAY for(i=0;i<COUNT;i++)
#define OPENSW 1000 // Un-pressed switch value
#define TRIP 300 // Difference between pressed
// and un-pressed switch
#define HYST 65 // amount to change
// from pressed to un-pressed

#define PRESSED 1
#define UNPRESSED 0

int main(void)
{
    unsigned int Vread; // storage for reading
    unsigned int switchState;
    int i;

    // assume CTMU and A/D have been setup correctly
    // see Example 27-1 for CTMU & A/D setup
    setup();

    CTMUCONHbits.CTMUEN = 1; // Enable the CTMU

    CTMUCONHbits.IDISSEN = 1; // drain charge on the circuit
    DELAY; // wait 125us
    CTMUCONHbits.IDISSEN = 0; // end drain of circuit

    CTMUCONLbits.EDGLSTAT = 1; // Begin charging the circuit
    // using CTMU current source
    DELAY; // wait for 125us
    CTMUCONLbits.EDGLSTAT = 0; // Stop charging circuit

    PIR1bits.ADIF = 0; // make sure A/D Int not set
    ADCON0bits.GO=1; // and begin A/D conv.
    while(!PIR1bits.ADIF); // Wait for A/D convert complete

    Vread = ADRES; // Get the value from the A/D

    if(Vread < OPENSW - TRIP)
    {
        switchState = PRESSED;
    }
    else if(Vread > OPENSW - TRIP + HYST)
    {
        switchState = UNPRESSED;
    }
}
```

# PIC18F87K90 FAMILY

## 27.6 Measuring Time with the CTMU Module

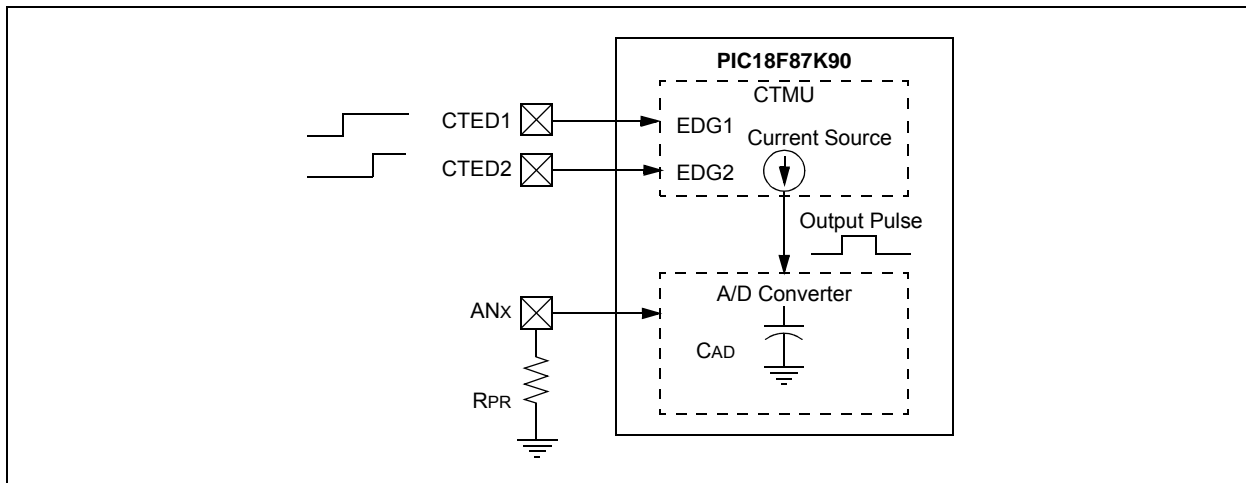
Time can be precisely measured after the ratio ( $C/I$ ) is measured from the current and capacitance calibration step. To do that:

1. Initialize the A/D Converter and the CTMU.
2. Set EDG1STAT.
3. Set EDG2STAT.
4. Perform an A/D conversion.
5. Calculate the time between edges as  $T = (C/I) \cdot V$ , where:
  - I is calculated in the current calibration step ([Section 27.4.1 "Current Source Calibration"](#))
  - C is calculated in the capacitance calibration step ([Section 27.4.2 "Capacitance Calibration"](#))
  - V is measured by performing the A/D conversion

It is assumed that the time measured is small enough that the capacitance,  $C_{OFFSET}$ , provides a valid voltage to the A/D Converter. For the smallest time measurement, always set the A/D Channel Select register (AD1CHS) to an unused A/D channel, the corresponding pin for which is not connected to any circuit board trace. This minimizes added stray capacitance, keeping the total circuit capacitance close to that of the A/D Converter itself (25 pF).

To measure longer time intervals, an external capacitor may be connected to an A/D channel and that channel selected whenever making a time measurement.

**FIGURE 27-3: TYPICAL CONNECTIONS AND INTERNAL CONFIGURATION FOR TIME MEASUREMENT**



## 27.7 Creating a Delay with the CTMU Module

A unique feature on board the CTMU module is its ability to generate system clock independent output pulses, based on either an internal voltage or an external capacitor value. When using an external voltage, this is accomplished using the CTDIN input pin as a trigger for the pulse delay. When using an internal capacitor value, this is accomplished using the internal comparator voltage reference module and Comparator 2 input pin. The pulse is output onto the CTPLS pin. To enable this mode, set the TGEN bit.

See [Figure 27-4](#) for an example circuit. When CTMUDS (ODCON3<0>) is cleared, the pulse delay is determined by the output of Comparator 2, and when it is set, the pulse delay is determined by the input of CTDIN. CDELAY is chosen by the user to determine the output pulse width on CTPLS. The pulse width is calculated by  $T = (C_{DELAY}/I) * V$ , where I is known from the current source measurement step ([Section 27.4.1 "Current Source Calibration"](#)) and V is the internal reference voltage (CVREF).

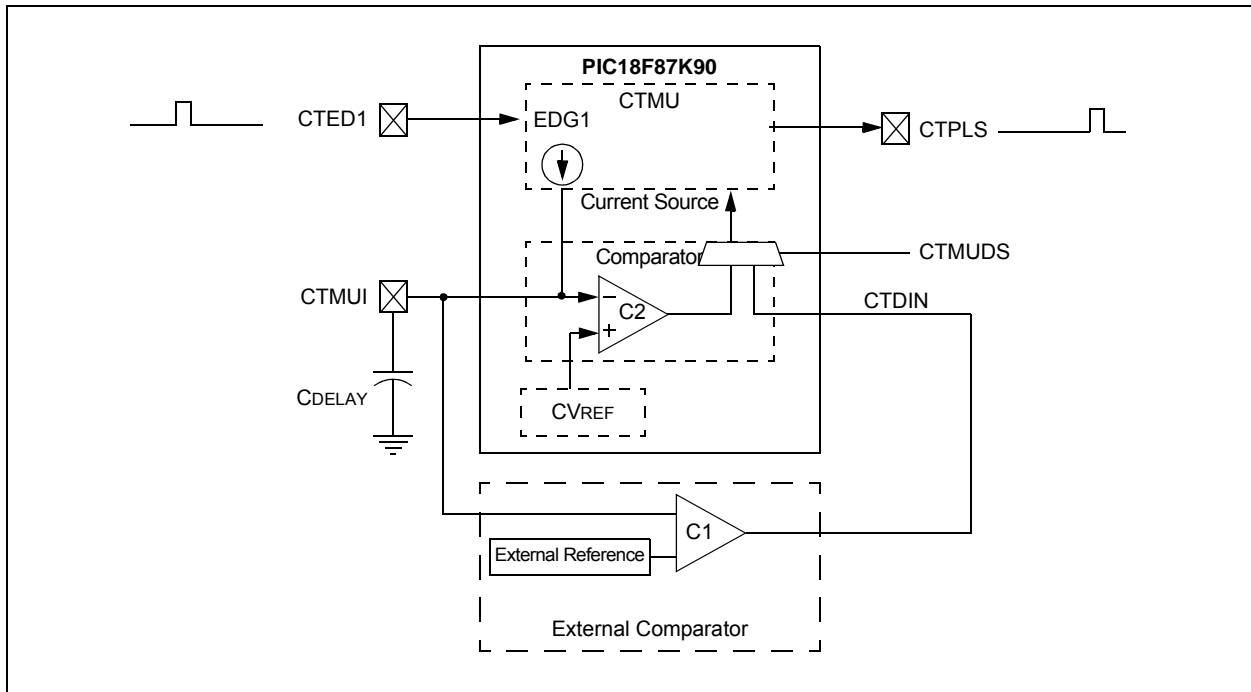
An example use of the external capacitor feature is interfacing with variable capacitive-based sensors, such as a humidity sensor. As the humidity varies, the pulse-width output on CTPLS will vary. An example use of the CTDIN feature is interfacing with a digital sensor. The CTPLS output pin can be connected to an input capture pin and the varying pulse width measured to determine the humidity in the application.

To use this feature:

1. If CTMUDS is cleared, initialize Comparator 2.
2. If CTMUDS is cleared, initialize the comparator voltage reference.
3. Initialize the CTMU and enable time delay generation by setting the TGEN bit.
4. Set EDG1STAT.

When CTMUDS is cleared, as soon as CDELAY charges to the value of the voltage reference trip point, an output pulse is generated on CTPLS. When CTMUDS is set, as soon as CTDIN is set, an output pulse is generated on CTPLS.

**FIGURE 27-4: TYPICAL CONNECTIONS AND INTERNAL CONFIGURATION FOR PULSE DELAY GENERATION**



# PIC18F87K90 FAMILY

---

## 27.8 Measuring Temperature Using the CTMU Module

The CTMU, along with an internal diode, can be used to measure the temperature. The ADC can be connected to the internal diode and the CTMU module can

source the current to the diode. The ADC reading will reflect the temperature. With the increase, the ADC readings will go low. This can be used for low-cost temperature measurement applications.

### EXAMPLE 27-5: ROUTINE FOR TEMPERATURE MEASUREMENT USING INTERNAL DIODE

```
//Initialize CTMU
CTMUICON=0x03;
CTMUCONHbits.CTMUEN=1;
CTMUCONLbits.EDG1STAT=1;
//Initialize ADC
ADCON0=0xE5;           //ADCON and connect to Internal diode
ADCON1=0;
ADCON2=0xBE;           //Right justified

ADCON0bits.GO=1;
while(ADCON0bits.GO==1);
Temp=ADRES;           ;//read ADC results ( inversely proportional to temperature)
-----
```

**Note:** The temperature diode is not calibrated; the user will have to calibrate the diode to their application.

# PIC18F87K90 FAMILY

## 27.9 Operation During Sleep/Idle Modes

### 27.9.1 SLEEP MODE

When the device enters any Sleep mode, the CTMU module current source is always disabled. If the CTMU is performing an operation that depends on the current source when Sleep mode is invoked, the operation may not terminate correctly. Capacitance and time measurements may return erroneous values.

### 27.9.2 IDLE MODE

The behavior of the CTMU in Idle mode is determined by the CTMUSIDL bit (CTMUCONH<5>). If CTMUSIDL is cleared, the module will continue to operate in Idle mode. If CTMUSIDL is set, the module's current source is disabled when the device enters Idle mode. If the

module is performing an operation when Idle mode is invoked, in this case, the results will be similar to those with Sleep mode.

## 27.10 Effects of a Reset on CTMU

Upon Reset, all registers of the CTMU are cleared. This disables the CTMU module, turns off its current source and returns all configuration options to their default settings. The module needs to be re-initialized following any Reset.

If the CTMU is in the process of taking a measurement at the time of Reset, the measurement will be lost. A partial charge may exist on the circuit that was being measured, which should be properly discharged before the CTMU makes subsequent attempts to make a measurement. The circuit is discharged by setting and clearing the IDISSEN bit (CTMUCONH<1>) while the A/D Converter is connected to the appropriate channel.

**TABLE 27-1: REGISTERS ASSOCIATED WITH CTMU MODULE**

| Name     | Bit 7   | Bit 6    | Bit 5    | Bit 4   | Bit 3    | Bit 2    | Bit 1    | Bit 0    | Reset Values on Page: |
|----------|---------|----------|----------|---------|----------|----------|----------|----------|-----------------------|
| CTMUCONH | CTMUEN  | —        | CTMUSIDL | TGEN    | EDGEN    | EDGSEQEN | IDISSEN  | CTTRIG   | 80                    |
| CTMUCONL | EDG2POL | EDG2SEL1 | EDG2SEL0 | EDG1POL | EDG1SEL1 | EDG1SEL0 | EDG2STAT | EDG1STAT | 80                    |
| CTMUICON | ITRIM5  | ITRIM4   | ITRIM3   | ITRIM2  | ITRIM1   | ITRIM0   | IRNG1    | IRNG0    | 80                    |
| PIR3     | TMR5GIF | LCDIF    | RC2IF    | TX2IF   | CTMUIF   | CCP2IF   | CCP1IF   | RTCCIF   | 77                    |
| PIE3     | TMR5GIE | LCDIE    | RC2IE    | TX2IE   | CTMUIE   | CCP2IE   | CCP1IE   | RTCCIE   | 77                    |
| IPR3     | TMR5GIP | LCDIP    | RC2IP    | TX2IP   | CTMUIP   | CCP2IP   | CCP1IP   | RTCCIP   | 77                    |

**Legend:** — = unimplemented, read as '0'

# PIC18F87K90 FAMILY

---

NOTES:



## 28.0 SPECIAL FEATURES OF THE CPU

The PIC18F87K90 family of devices includes several features intended to maximize reliability and minimize cost through elimination of external components. These include:

- Oscillator Selection
- Resets:
  - Power-on Reset (POR)
  - Power-up Timer (PWRT)
  - Oscillator Start-up Timer (OST)
  - Brown-out Reset (BOR)
- Interrupts
- Watchdog Timer (WDT) and On-Chip Regulator
- Fail-Safe Clock Monitor
- Two-Speed Start-up
- Code Protection
- ID Locations
- In-Circuit Serial Programming™ (ICSP™)

The oscillator can be configured for the application depending on frequency, power, accuracy and cost. All of the options are discussed in detail in [Section 3.0 “Oscillator Configurations”](#).

A complete discussion of device Resets and interrupts is available in previous sections of this data sheet.

In addition to their Power-up and Oscillator Start-up Timers provided for Resets, the PIC18F87K90 family of devices has a Watchdog Timer, which is either permanently enabled via the Configuration bits or software controlled (if configured as disabled).

The inclusion of an internal RC (LF-INTOSC) oscillator also provides the additional benefits of a Fail-Safe Clock Monitor (FSCM) and Two-Speed Start-up. FSCM provides for background monitoring of the peripheral clock and automatic switchover in the event of its failure. Two-Speed Start-up enables code to be executed almost immediately on start-up, while the primary clock source completes its start-up delays.

All of these features are enabled and configured by setting the appropriate Configuration register bits.

## 28.1 Configuration Bits

The Configuration bits can be programmed (read as ‘0’) or left unprogrammed (read as ‘1’) to select various device configurations. These bits are mapped starting at program memory location, 300000h.

The user will note that address, 300000h, is beyond the user program memory space. In fact, it belongs to the configuration memory space (300000h-3FFFFFFh), which can only be accessed using table reads and table writes.

Software programming the Configuration registers is done in a manner similar to programming the Flash memory. The WR bit in the EECON1 register starts a self-timed write to the Configuration register. In normal operation mode, a TBLWT instruction, with the TBLPTR pointing to the Configuration register, sets up the address and the data for the Configuration register write. Setting the WR bit starts a long write to the Configuration register. The Configuration registers are written a byte at a time. To write or erase a configuration cell, a TBLWT instruction can write a ‘1’ or a ‘0’ into the cell. For additional details on Flash programming, refer to [Section 7.5 “Writing to Flash Program Memory”](#).

# PIC18F87K90 FAMILY

**TABLE 28-1: CONFIGURATION BITS AND DEVICE IDs**

| File Name |                       | Bit 7                     | Bit 6                | Bit 5                | Bit 4                | Bit 3    | Bit 2     | Bit 1                 | Bit 0                      | Default/<br>Unprogrammed<br>Value |
|-----------|-----------------------|---------------------------|----------------------|----------------------|----------------------|----------|-----------|-----------------------|----------------------------|-----------------------------------|
| 300000h   | CONFIG1L              | —                         | XINST                | —                    | SOSCSEL1             | SOSCSEL0 | INTOSCSEL | —                     | $\overline{\text{RETEN}}$  | -1-1 1--1                         |
| 300001h   | CONFIG1H              | IESO                      | FCMEN                | —                    | PLLCFG               | FOSC3    | FOSC2     | FOSC1                 | FOSC0                      | 0000 1000                         |
| 300002h   | CONFIG2L              | —                         | BORPWR1              | BORWPR0              | BORV1                | BORV0    | BOREN1    | BOREN0                | $\overline{\text{PWRTEN}}$ | -111 1111                         |
| 300003h   | CONFIG2H              | —                         | WDTPS4               | WDTPS3               | WDTPS2               | WDTPS1   | WDTPS0    | WDTEN1                | WDTEN0                     | -111 1111                         |
| 300004h   | CONFIG3L              | —                         | —                    | —                    | —                    | —        | —         | —                     | RTCOSC                     | ---- --1                          |
| 300005h   | CONFIG3H              | MCLRE                     | —                    | —                    | —                    | MSSPMSK  | —         | ECCPMX <sup>(2)</sup> | CCP2MX                     | 1---- 1-11                        |
| 300006h   | CONFIG4L              | $\overline{\text{DEBUG}}$ | —                    | —                    | BBSIZ0               | —        | —         | —                     | STVREN                     | 1--1 ---1                         |
| 300008h   | CONFIG5L              | CP7 <sup>(1)</sup>        | CP6 <sup>(1)</sup>   | CP5 <sup>(1)</sup>   | CP4 <sup>(1)</sup>   | CP3      | CP2       | CP1                   | CP0                        | 1111 1111                         |
| 300009h   | CONFIG5H              | CPD                       | CPB                  | —                    | —                    | —        | —         | —                     | —                          | 11-- ----                         |
| 30000Ah   | CONFIG6L              | WRT7 <sup>(1)</sup>       | WRT6 <sup>(1)</sup>  | WRT5 <sup>(1)</sup>  | WRT4 <sup>(1)</sup>  | WRT3     | WRT2      | WRT1                  | WRT0                       | 1111 1111                         |
| 30000Bh   | CONFIG6H              | WRD                       | WRB                  | WRTC                 | —                    | —        | —         | —                     | —                          | 111- ----                         |
| 30000Ch   | CONFIG7L              | EBTR7 <sup>(1)</sup>      | EBTR6 <sup>(1)</sup> | EBTR5 <sup>(1)</sup> | EBTR4 <sup>(1)</sup> | EBTR3    | EBTR2     | EBTR1                 | EBTR0                      | 1111 1111                         |
| 30000Dh   | CONFIG7H              | —                         | EBTRB                | —                    | —                    | —        | —         | —                     | —                          | -1-- ----                         |
| 3FFFFEh   | DEVID1 <sup>(3)</sup> | DEV2                      | DEV1                 | DEV0                 | REV4                 | REV3     | REV2      | REV1                  | REV0                       | xxxx xxxx                         |
| 3FFFFFh   | DEVID2 <sup>(3)</sup> | DEV10                     | DEV9                 | DEV8                 | DEV7                 | DEV6     | DEV5      | DEV4                  | DEV3                       | xxxx xxxx                         |

**Legend:** x = unknown, u = unchanged, - = unimplemented,  $\alpha$  = value depends on condition.  
Shaded cells are unimplemented, read as '0'.

- Note 1:** Implemented in the PIC18F67K90 and PIC18F87K90 devices.  
**2:** Implemented in the 80-pin devices (PIC18F8XK90).  
**3:** See [Register 28-14](#) for DEVID1 values. DEVID registers are read-only and cannot be programmed by the user.

# PIC18F87K90 FAMILY

## REGISTER 28-1: CONFIG1L: CONFIGURATION REGISTER 1 LOW (BYTE ADDRESS 300000h)

|       |       |     |          |          |            |     |       |
|-------|-------|-----|----------|----------|------------|-----|-------|
| U-0   | R/P-1 | U-0 | R/P-1    | R/P-1    | R/P-1      | U-0 | R/P-1 |
| —     | XINST | —   | SOSCSEL1 | SOSCSEL0 | INTOSCSEL0 | —   | RETEN |
| bit 7 |       |     |          |          |            |     | bit 0 |

|                   |                      |
|-------------------|----------------------|
| <b>Legend:</b>    | P = Programmable bit |
| R = Readable bit  | W = Writable bit     |
| -n = Value at POR | '1' = Bit is set     |
|                   | '0' = Bit is cleared |
|                   | x = Bit is unknown   |

bit 7 **Unimplemented:** Read as '0'

bit 6 **XINST:** Extended Instruction Set Enable bit  
 1 = Instruction set extension and Indexed Addressing mode are enabled  
 0 = Instruction set extension and Indexed Addressing mode are disabled (Legacy mode)

bit 5 **Unimplemented:** Read as '0'

bit 4-3 **SOSCSEL<1:0>:** SOSC Power Selection and Mode Configuration bits  
 11 = High-power SOSC circuit is selected  
 10 = Digital (SCLKI) mode: I/O port functionality of RC0 and RC1 is enabled  
 01 = Low-power SOSC circuit is selected  
 00 = Reserved

bit 2 **INTOSCSEL:** LF-INTOSC Low-Power Enable bit  
 1 = LF-INTOSC is in High-Power mode during Sleep  
 0 = LF-INTOSC is in Low-Power mode during Sleep

bit 1 **Unimplemented:** Read as '0'

bit 0 **RETEN:** VREG Sleep Enable bit  
 1 = Ultra low-power regulator is disabled. Regulator power in Sleep mode is controlled by VREGSLP (WDTCON<7>)  
 0 = Ultra low-power regulator is enabled. Regulator power in Sleep mode is controlled by SRETEN (WDTCON<4>).

# PIC18F87K90 FAMILY

## REGISTER 28-2: CONFIG1H: CONFIGURATION REGISTER 1 HIGH (BYTE ADDRESS 300001h)

|       |       |     |                       |                      |                      |                      |                      |
|-------|-------|-----|-----------------------|----------------------|----------------------|----------------------|----------------------|
| R/P-0 | R/P-0 | U-0 | U-0                   | R/P-1                | R/P-0                | R/P-0                | R/P-0                |
| IESO  | FCMEN | —   | PLLCFG <sup>(1)</sup> | FOSC3 <sup>(2)</sup> | FOSC2 <sup>(2)</sup> | FOSC1 <sup>(2)</sup> | FOSC0 <sup>(2)</sup> |
| bit 7 |       |     |                       |                      |                      |                      | bit 0                |

|                   |                                    |
|-------------------|------------------------------------|
| <b>Legend:</b>    | P = Programmable bit               |
| R = Readable bit  | W = Writable bit                   |
| -n = Value at POR | '1' = Bit is set                   |
|                   | U = Unimplemented bit, read as '0' |
|                   | '0' = Bit is cleared               |
|                   | x = Bit is unknown                 |

- bit 7      **IESO:** Internal/External Oscillator Switchover bit  
           1 = Two-Speed Start-up is enabled  
           0 = Two-Speed Start-up is disabled
- bit 6      **FCMEN:** Fail-Safe Clock Monitor Enable bit  
           1 = Fail-Safe Clock Monitor is enabled  
           0 = Fail-Safe Clock Monitor is disabled
- bit 5      **Unimplemented:** Read as '0'
- bit 4      **PLLCFG:** 4x PLL Enable bit<sup>(1)</sup>  
           1 = Oscillator is multiplied by 4  
           0 = Oscillator is used directly
- bit 3-0    **FOSC<3:0>:** Oscillator Selection bits<sup>(2)</sup>  
           1101 = EC1, EC oscillator (low power, DC-160 kHz)  
           1100 = EC1IO, EC oscillator with CLKOUT function on RA6 (low power, DC-160 kHz)  
           1011 = EC2, EC oscillator (medium power, 160 kHz-16 MHz)  
           1010 = EC2IO, EC oscillator with CLKOUT function on RA6 (medium power, 160 kHz-16MHz)  
           0101 = EC3, EC oscillator (high power, 4 MHz-64 MHz)  
           0100 = EC3IO, EC oscillator with CLKOUT function on RA6 (high power, 4 MHz-64 MHz)  
           0011 = HS1, HS oscillator (medium power, 4 MHz-16 MHz)  
           0010 = HS2, HS oscillator (high power, 16 MHz-25 MHz)  
           0001 = XT oscillator  
           0000 = LP oscillator  
           0111 = RC, External RC oscillator  
           0110 = RCIO, External RC oscillator with CKLOUT function on RA6  
           1000 = INTIO2, Internal RC oscillator  
           1001 = INTIO1, Internal RC oscillator with CLKOUT function on RA6

- Note 1:** Not valid for the INTIOx PLL mode.
- 2:** INTIO+PLL can only be enabled by the PLEN bit (OSCTUNE<6>). Other PLL modes can be enabled by either the PLEN bit or the PLLCFG (CONFIG1H<4>) bit.

# PIC18F87K90 FAMILY

**REGISTER 28-3: CONFIG2L: CONFIGURATION REGISTER 2 LOW (BYTE ADDRESS 300002h)**

|       |                        |                        |                      |                      |                       |                       |                       |
|-------|------------------------|------------------------|----------------------|----------------------|-----------------------|-----------------------|-----------------------|
| U-0   | R/P-1                  | R/P-1                  | R/P-1                | R/P-1                | R/P-1                 | R/P-1                 | R/P-1                 |
| —     | BORPWR1 <sup>(1)</sup> | BORPWR0 <sup>(1)</sup> | BORV1 <sup>(1)</sup> | BORV0 <sup>(1)</sup> | BOREN1 <sup>(2)</sup> | BOREN0 <sup>(2)</sup> | PWRTEN <sup>(2)</sup> |
| bit 7 |                        |                        |                      |                      |                       |                       | bit 0                 |

|                   |                                    |
|-------------------|------------------------------------|
| <b>Legend:</b>    | P = Programmable bit               |
| R = Readable bit  | W = Writable bit                   |
| -n = Value at POR | '1' = Bit is set                   |
|                   | U = Unimplemented bit, read as '0' |
|                   | '0' = Bit is cleared               |
|                   | x = Bit is unknown                 |

bit 7 **Unimplemented:** Read as '0'

bit 6-5 **BORPWR<1:0>:** BORMV Power Level bits<sup>(1)</sup>

- 11 = ZPBORVMV instead of BORMV is selected
- 10 = BORMV is set to high-power level
- 01 = BORMV is set to medium-power level
- 00 = BORMV is set to low-power level

bit 4-3 **BORV<1:0>:** Brown-out Reset Voltage bits<sup>(1)</sup>

- 11 = VBORMV is set to 1.8V
- 10 = VBORMV is set to 2.0V
- 01 = VBORMV is set to 2.7V
- 00 = VBORMV is set to 3.0V

bit 2-1 **BOREN<1:0>:** Brown-out Reset Enable bits<sup>(2)</sup>

- 11 = Brown-out Reset is enabled in hardware only (SBOREN is disabled)
- 10 = Brown-out Reset is enabled in hardware only and disabled in Sleep mode (SBOREN is disabled)
- 01 = Brown-out Reset is enabled and controlled by software (SBOREN is enabled)
- 00 = Brown-out Reset is disabled in hardware and software

bit 0 **PWRTEN:** Power-up Timer Enable bit<sup>(2)</sup>

- 1 = PWRT is disabled
- 0 = PWRT is enabled

**Note 1:** For the specifications, see [Section 31.1 “DC Characteristics: Supply Voltage PIC18F87K90 Family \(Industrial/Extended\)”](#).

**2:** The Power-up Timer is decoupled from Brown-out Reset, allowing these features to be independently controlled.

# PIC18F87K90 FAMILY

## REGISTER 28-4: CONFIG2H: CONFIGURATION REGISTER 2 HIGH (BYTE ADDRESS 300003h)

|       |        |        |        |        |        |        |        |
|-------|--------|--------|--------|--------|--------|--------|--------|
| U-0   | R/P-1  | R/P-1  | R/P-1  | R/P-1  | R/P-1  | R/P-1  | R/P-1  |
| —     | WDTPS4 | WDTPS3 | WDTPS2 | WDTPS1 | WDTPS0 | WDTEN1 | WDTEN0 |
| bit 7 |        |        |        |        |        |        | bit 0  |

|                   |                      |                                    |
|-------------------|----------------------|------------------------------------|
| <b>Legend:</b>    | P = Programmable bit | U = Unimplemented bit, read as '0' |
| R = Readable bit  | W = Writable bit     | '1' = Bit is set                   |
| -n = Value at POR | '0' = Bit is cleared | x = Bit is unknown                 |

bit 7      **Unimplemented:** Read as '0'

bit 6-2    **WDTPS<4:0>:** Watchdog Timer Postscale Select bits

- 11111 = 1:1,048,576
- 10011 = 1:524,288
- 10010 = 1:262,144
- 10001 = 1:131,072
- 10000 = 1:65,536
- 01111 = 1:32,768
- 01110 = 1:16,384
- 01101 = 1:8,192
- 01100 = 1:4,096
- 01011 = 1:2,048
- 01010 = 1:1,024
- 01001 = 1:512
- 01000 = 1:256
- 00111 = 1:128
- 00110 = 1:64
- 00101 = 1:32
- 00100 = 1:16
- 00011 = 1:8
- 00010 = 1:4
- 00001 = 1:2
- 00000 = 1:1

bit 1-0    **WDTEN<1:0>:** Watchdog Timer Enable bits

- 11 = WDT is enabled in hardware; SWDTEN bit is disabled
- 10 = WDT is controlled by the SWDTEN bit setting
- 01 = WDT is enabled only while device is active and is disabled in Sleep mode; SWDTEN bit is disabled
- 00 = WDT is disabled in hardware; SWDTEN bit is disabled

# PIC18F87K90 FAMILY

## REGISTER 28-5: CONFIG3L: CONFIGURATION REGISTER 3 LOW (BYTE ADDRESS 300004h)

|       |     |     |     |     |     |     |        |
|-------|-----|-----|-----|-----|-----|-----|--------|
| U-0   | U-0 | U-0 | U-0 | U-0 | U-0 | U-0 | R/P-1  |
| —     | —   | —   | —   | —   | —   | —   | RTCOSC |
| bit 7 |     |     |     |     |     |     | bit 0  |

|                   |                                    |
|-------------------|------------------------------------|
| <b>Legend:</b>    | P = Programmable bit               |
| R = Readable bit  | W = Writable bit                   |
| -n = Value at POR | '1' = Bit is set                   |
|                   | U = Unimplemented bit, read as '0' |
|                   | '0' = Bit is cleared               |
|                   | x = Bit is unknown                 |

- bit 7-1      **Unimplemented:** Read as '0'
- bit 0      **RTCOSC:** RTCC Reference Clock Select bit  
 1 = RTCC uses SOSC as a reference clock  
 0 = RTCC uses LF-INTOSC as a reference clock

## REGISTER 28-6: CONFIG3H: CONFIGURATION REGISTER 3 HIGH (BYTE ADDRESS 300005h)

|       |     |     |     |         |     |                       |        |
|-------|-----|-----|-----|---------|-----|-----------------------|--------|
| R/P-1 | U-0 | U-0 | U-0 | R/P-1   | U-0 | R/P-1                 | R/P-1  |
| MCLRE | —   | —   | —   | MSSPMSK | —   | ECCPMX <sup>(1)</sup> | CCP2MX |
| bit 7 |     |     |     |         |     |                       | bit 0  |

|                   |                                    |
|-------------------|------------------------------------|
| <b>Legend:</b>    | P = Programmable bit               |
| R = Readable bit  | W = Writable bit                   |
| -n = Value at POR | '1' = Bit is set                   |
|                   | U = Unimplemented bit, read as '0' |
|                   | '0' = Bit is cleared               |
|                   | x = Bit is unknown                 |

- bit 7      **MCLRE:**  $\overline{\text{MCLR}}$  Pin Enable bit  
 1 =  $\overline{\text{MCLR}}$  pin is enabled; RG5 input pin is disabled  
 0 = RG5 input pin is enabled;  $\overline{\text{MCLR}}$  is disabled
- bit 6-4      **Unimplemented:** Read as '0'
- bit 3      **MSSPMSK:** MSSP V3 7-Bit Address Masking Mode Enable bit  
 1 = 7-Bit Address Masking mode is enabled  
 0 = 5-Bit Address Masking mode is enabled
- bit 2      **Unimplemented:** Read as '0'
- bit 1      **ECCPMX:** ECCP MUX bit<sup>(1)</sup>  
 1 = Enhanced ECCP1 (P1B/P1C) is multiplexed onto RE6 and RE5, CCP6 onto RE6 and CCP7 onto RE5  
     Enhanced ECCP3 (P3B/P3C) is multiplexed onto RE4 and RE3, CCP8 onto RE4 and CCP9 onto RE3  
 0 = Enhanced ECCP1 (P1B/P1C) is multiplexed onto RH7 and RH6, CCP6 onto RH7 and CCP7 onto RH6  
     Enhanced ECCP3 (P3B/P3C) is multiplexed onto RH5 and RH4, CCP8 onto RH5 and CCP9 onto RH4
- bit 0      **CCP2MX:** ECCP2 MUX bit  
 1 = ECCP2 is multiplexed with RC1  
 0 = ECCP2 input/output is multiplexed with RE7<sup>(1)</sup>

**Note 1:** This feature is only available on 80-pin devices.

# PIC18F87K90 FAMILY

## REGISTER 28-7: CONFIG4L: CONFIGURATION REGISTER 4 LOW (BYTE ADDRESS 300006h)

|                           |     |     |        |     |       |     |        |
|---------------------------|-----|-----|--------|-----|-------|-----|--------|
| R/P-1                     | U-0 | U-0 | R/P-0  | U-0 | R/P-0 | U-0 | R/P-1  |
| $\overline{\text{DEBUG}}$ | —   | —   | BBSIZ0 | —   | —     | —   | STVREN |
| bit 7                     |     |     |        |     |       |     | bit 0  |

|                   |                                    |
|-------------------|------------------------------------|
| <b>Legend:</b>    | P = Programmable bit               |
| R = Readable bit  | W = Writable bit                   |
| -n = Value at POR | '1' = Bit is set                   |
|                   | U = Unimplemented bit, read as '0' |
|                   | '0' = Bit is cleared               |
|                   | x = Bit is unknown                 |

- bit 7 **DEBUG:** Background Debugger Enable bit  
 1 = Background debugger is disabled, RB6 and RB7 are configured as general purpose I/O pins  
 0 = Background debugger is enabled, RB6 and RB7 are dedicated to In-Circuit Debug
- bit 6-5 **Unimplemented:** Read as '0'
- bit 4 **BBSIZ<0>:** Boot Block Size Select bit  
 1 = 2 kW boot block size  
 0 = 1 kW boot block size
- bit 3-1 **Unimplemented:** Read as '0'
- bit 0 **STVREN:** Stack Full/Underflow Reset Enable bit  
 1 = Stack full/underflow will cause a Reset  
 0 = Stack full/underflow will not cause a Reset



# PIC18F87K90 FAMILY

**REGISTER 28-8: CONFIG5L: CONFIGURATION REGISTER 5 LOW (BYTE ADDRESS 300008h)<sup>(2)</sup>**

|                    |                    |                    |                    |       |       |       |       |
|--------------------|--------------------|--------------------|--------------------|-------|-------|-------|-------|
| R/C-1              | R/C-1              | R/C-1              | R/C-1              | R/C-1 | R/C-1 | R/C-1 | R/C-1 |
| CP7 <sup>(1)</sup> | CP6 <sup>(1)</sup> | CP5 <sup>(1)</sup> | CP4 <sup>(1)</sup> | CP3   | CP2   | CP1   | CP0   |
| bit 7              |                    |                    |                    |       |       |       | bit 0 |

|                   |                   |                                    |
|-------------------|-------------------|------------------------------------|
| <b>Legend:</b>    | C = Clearable bit | U = Unimplemented bit, read as '0' |
| R = Readable bit  | W = Writable bit  | '0' = Bit is cleared               |
| -n = Value at POR | '1' = Bit is set  | x = Bit is unknown                 |

- bit 7      **CP7:** Code Protection bit<sup>(1)</sup>  
             1 = Block 7 is not code-protected  
             0 = Block 7 is code-protected
- bit 6      **CP6:** Code Protection bit<sup>(1)</sup>  
             1 = Block 6 is not code-protected  
             0 = Block 6 is code-protected
- bit 5      **CP5:** Code Protection bit<sup>(1)</sup>  
             1 = Block 5 is not code-protected  
             0 = Block 5 is code-protected
- bit 4      **CP4:** Code Protection bit<sup>(1)</sup>  
             1 = Block 4 is not code-protected  
             0 = Block 4 is code-protected
- bit 3      **CP3:** Code Protection bit  
             1 = Block 3 is not code-protected  
             0 = Block 3 is code-protected
- bit 2      **CP2:** Code Protection bit  
             1 = Block 2 is not code-protected  
             0 = Block 2 is code-protected
- bit 1      **CP1:** Code Protection bit  
             1 = Block 1 is not code-protected  
             0 = Block 1 is code-protected
- bit 0      **CP0:** Code Protection bit  
             1 = Block 0 is not code-protected  
             0 = Block 0 is code-protected

**Note 1:** This bit is only available on PIC18F67K90 and PIC18F87K90.

**2:** For the memory size of the blocks, refer to [Figure 28-6](#).

# PIC18F87K90 FAMILY

## REGISTER 28-9: CONFIG5H: CONFIGURATION REGISTER 5 HIGH (BYTE ADDRESS 300009h)<sup>(1)</sup>

|       |       |     |     |     |     |     |       |
|-------|-------|-----|-----|-----|-----|-----|-------|
| R/C-1 | R/C-1 | U-0 | U-0 | U-0 | U-0 | U-0 | U-0   |
| CPD   | CPB   | —   | —   | —   | —   | —   | —     |
| bit 7 |       |     |     |     |     |     | bit 0 |

|                   |                   |                                    |                    |
|-------------------|-------------------|------------------------------------|--------------------|
| <b>Legend:</b>    | C = Clearable bit |                                    |                    |
| R = Readable bit  | W = Writable bit  | U = Unimplemented bit, read as '0' |                    |
| -n = Value at POR | '1' = Bit is set  | '0' = Bit is cleared               | x = Bit is unknown |

bit 7      **CPD:** Data EEPROM Code Protection bit

1 = Data EEPROM is not code-protected

0 = Data EEPROM is code-protected

bit 6      **CPB:** Boot Block Code Protection bit

1 = Boot block is not code-protected

0 = Boot block is code-protected

bit 5-0      **Unimplemented:** Read as '0'

**Note 1:** For the memory size of the blocks, refer to [Figure 28-6](#).

# PIC18F87K90 FAMILY

## REGISTER 28-10: CONFIG6L: CONFIGURATION REGISTER 6 LOW (BYTE ADDRESS 3000Ah)<sup>(2)</sup>

| R/C-1               | R/C-1               | R/C-1               | R/C-1               | R/C-1 | R/C-1 | R/C-1 | R/C-1 |
|---------------------|---------------------|---------------------|---------------------|-------|-------|-------|-------|
| WRT7 <sup>(1)</sup> | WRT6 <sup>(1)</sup> | WRT5 <sup>(1)</sup> | WRT4 <sup>(1)</sup> | WRT3  | WRT2  | WRT1  | WRT0  |
| bit 7               |                     |                     |                     |       |       |       | bit 0 |

|                   |                   |                                    |
|-------------------|-------------------|------------------------------------|
| <b>Legend:</b>    | C = Clearable bit | U = Unimplemented bit, read as '0' |
| R = Readable bit  | W = Writable bit  | '0' = Bit is cleared               |
| -n = Value at POR | '1' = Bit is set  | x = Bit is unknown                 |

- bit 7      **WRT7:** Write Protection bit<sup>(1)</sup>  
 1 = Block 7 is not write-protected  
 0 = Block 7 is write-protected
- bit 6      **WRT6:** Write Protection bit<sup>(1)</sup>  
 1 = Block 6 is not write-protected  
 0 = Block 6 is write-protected
- bit 5      **WRT5:** Write Protection bit<sup>(1)</sup>  
 1 = Block 5 is not write-protected  
 0 = Block 5 is write-protected
- bit 4      **WRT4:** Write Protection bit<sup>(1)</sup>  
 1 = Block 4 is not write-protected  
 0 = Block 4 is write-protected
- bit 3      **WRT3:** Write Protection bit  
 1 = Block 3 is not write-protected  
 0 = Block 3 is write-protected
- bit 2      **WRT2:** Write Protection bit  
 1 = Block 2 is not write-protected  
 0 = Block 2 is write-protected
- bit 1      **WRT1:** Write Protection bit  
 1 = Block 1 is not write-protected  
 0 = Block 1 is write-protected
- bit 0      **WRT0:** Write Protection bit  
 1 = Block 0 is not write-protected  
 0 = Block 0 is write-protected

**Note 1:** This bit is only available on PIC18F67K90 and PIC18F87K90.

**2:** For the memory size of the blocks, refer to [Figure 28-6](#).

# PIC18F87K90 FAMILY

## REGISTER 28-11: CONFIG6H: CONFIGURATION REGISTER 6 HIGH (BYTE ADDRESS 30000Bh)<sup>(2)</sup>

|       |       |                     |     |     |     |     |       |
|-------|-------|---------------------|-----|-----|-----|-----|-------|
| R/C-1 | R/C-1 | R-1                 | U-0 | U-0 | U-0 | U-0 | U-0   |
| WRTD  | WRTB  | WRTC <sup>(1)</sup> | —   | —   | —   | —   | —     |
| bit 7 |       |                     |     |     |     |     | bit 0 |

|                   |                   |                                    |                    |
|-------------------|-------------------|------------------------------------|--------------------|
| <b>Legend:</b>    | C = Clearable bit |                                    |                    |
| R = Readable bit  | W = Writable bit  | U = Unimplemented bit, read as '0' |                    |
| -n = Value at POR | '1' = Bit is set  | '0' = Bit is cleared               | x = Bit is unknown |

- bit 7      **WRTD:** Data EEPROM Write Protection bit  
           1 = Data EEPROM is not write-protected  
           0 = Data EEPROM is write-protected
- bit 6      **WRTB:** Boot Block Write Protection bit  
           1 = Boot block is not write-protected  
           0 = Boot block is write-protected
- bit 5      **WRTC:** Configuration Register Write Protection bit<sup>(1)</sup>  
           1 = Configuration registers are not write-protected  
           0 = Configuration registers are write-protected
- bit 4-0    **Unimplemented:** Read as '0'

- Note 1:** This bit is read-only in Normal Execution mode; it can be written only in Program mode.  
**Note 2:** For the memory size of the blocks, refer to [Figure 28-6](#).

# PIC18F87K90 FAMILY

## REGISTER 28-12: CONFIG7L: CONFIGURATION REGISTER 7 LOW (BYTE ADDRESS 30000Ch)<sup>(3)</sup>

| R/C-1                | R/C-1                | R/C-1                | R/C-1                | R/C-1 | R/C-1 | R/C-1 | R/C-1 |
|----------------------|----------------------|----------------------|----------------------|-------|-------|-------|-------|
| EBTR7 <sup>(1)</sup> | EBTR6 <sup>(1)</sup> | EBTR5 <sup>(1)</sup> | EBTR4 <sup>(1)</sup> | EBTR3 | EBTR2 | EBTR1 | EBTR0 |
| bit 7                |                      |                      |                      |       |       |       | bit 0 |

|                   |                      |                                    |
|-------------------|----------------------|------------------------------------|
| <b>Legend:</b>    | C = Clearable bit    | U = Unimplemented bit, read as '0' |
| R = Readable bit  | W = Writable bit     | '1' = Bit is set                   |
| -n = Value at POR | '0' = Bit is cleared | x = Bit is unknown                 |

- bit 7      **EBTR7:** Table Read Protection bit<sup>(1)</sup>  
 1 = Block 7 is not protected from table reads executed in other blocks  
 0 = Block 7 is protected from table reads executed in other blocks
- bit 6      **EBTR6:** Table Read Protection bit<sup>(1)</sup>  
 1 = Block 6 is not protected from table reads executed in other blocks  
 0 = Block 6 is protected from table reads executed in other blocks
- bit 5      **EBTR5:** Table Read Protection bit<sup>(1)</sup>  
 1 = Block 5 is not protected from table reads executed in other blocks  
 0 = Block 5 is protected from table reads executed in other blocks
- bit 4      **EBTR4:** Table Read Protection bit<sup>(1)</sup>  
 1 = Block 4 is not protected from table reads executed in other blocks  
 0 = Block 4 is protected from table reads executed in other blocks
- bit 3      **EBTR3:** Table Read Protection bit  
 1 = Block 3 is not protected from table reads executed in other blocks  
 0 = Block 3 is protected from table reads executed in other blocks
- bit 2      **EBTR2:** Table Read Protection bit  
 1 = Block 2 is not protected from table reads executed in other blocks  
 0 = Block 2 is protected from table reads executed in other blocks
- bit 1      **EBTR1:** Table Read Protection bit  
 1 = Block 1 is not protected from table reads executed in other blocks  
 0 = Block 1 is protected from table reads executed in other blocks
- bit 0      **EBTR0:** Table Read Protection bit  
 1 = Block 0 is not protected from table reads executed in other blocks  
 0 = Block 0 is protected from table reads executed in other blocks

- Note 1:** This bit is only available on PIC18F67K90 and PIC18F87K90.  
**Note 2:** This bit is only available on PIC18F66K90, PIC18F67K90, PIC18F86K90 and PIC18F87K90 devices.  
**Note 3:** For the memory size of the blocks, refer to [Figure 28-6](#).

# PIC18F87K90 FAMILY

**REGISTER 28-13: CONFIG7H: CONFIGURATION REGISTER 7 HIGH (BYTE ADDRESS 30000Dh)<sup>(1)</sup>**

|       |       |     |     |     |     |     |       |
|-------|-------|-----|-----|-----|-----|-----|-------|
| U-0   | R/C-1 | U-0 | U-0 | U-0 | U-0 | U-0 | U-0   |
| —     | EBTRB | —   | —   | —   | —   | —   | —     |
| bit 7 |       |     |     |     |     |     | bit 0 |

|                   |                   |                                    |                    |
|-------------------|-------------------|------------------------------------|--------------------|
| <b>Legend:</b>    | C = Clearable bit |                                    |                    |
| R = Readable bit  | W = Writable bit  | U = Unimplemented bit, read as '0' |                    |
| -n = Value at POR | '1' = Bit is set  | '0' = Bit is cleared               | x = Bit is unknown |

- bit 7      **Unimplemented:** Read as '0'
- bit 6      **EBTRB:** Boot Block Table Read Protection bit
  - 1 = Boot block is not protected from table reads executed in other blocks
  - 0 = Boot block is protected from table reads executed in other blocks
- bit 5-0    **Unimplemented:** Read as '0'

**Note 1:** For the memory size of the blocks, refer to [Figure 28-6](#).

# PIC18F87K90 FAMILY

**REGISTER 28-14: DEVID1: DEVICE ID REGISTER 1 FOR THE PIC18F87K90 FAMILY**

|       |      |      |      |      |      |      |       |
|-------|------|------|------|------|------|------|-------|
| R     | R    | R    | R    | R    | R    | R    | R     |
| DEV2  | DEV1 | DEV0 | REV4 | REV3 | REV2 | REV1 | REV0  |
| bit 7 |      |      |      |      |      |      | bit 0 |

**Legend:**

R = Readable bit                      W = Writable bit                      U = Unimplemented bit, read as '0'  
 -n = Value at POR                      '1' = Bit is set                      '0' = Bit is cleared                      x = Bit is unknown

bit 7-5                      **DEV<2:0>:** Device ID bits  
Devices with DEV<10:3> of 0101 0010 (see DEVID2):  
 010 = PIC18F65K90  
 000 = PIC18F66K90  
 101 = PIC18F85K90  
 011 = PIC18F86K90  
Devices with DEV<10:3> of 0101 0001:  
 000 = PIC18F67K90  
 010 = PIC18F87K90

bit 4-0                      **REV<4:0>:** Revision ID bits  
 These bits are used to indicate the device revision.

**REGISTER 28-15: DEVID2: DEVICE ID REGISTER 2 FOR THE PIC18F87K90 FAMILY**

|                      |                     |                     |                     |                     |                     |                     |                     |
|----------------------|---------------------|---------------------|---------------------|---------------------|---------------------|---------------------|---------------------|
| R                    | R                   | R                   | R                   | R                   | R                   | R                   | R                   |
| DEV10 <sup>(1)</sup> | DEV9 <sup>(1)</sup> | DEV8 <sup>(1)</sup> | DEV7 <sup>(1)</sup> | DEV6 <sup>(1)</sup> | DEV5 <sup>(1)</sup> | DEV4 <sup>(1)</sup> | DEV3 <sup>(1)</sup> |
| bit 7                |                     |                     |                     |                     |                     |                     | bit 0               |

**Legend:**

R = Readable bit                      W = Writable bit                      U = Unimplemented bit, read as '0'  
 -n = Value at POR                      '1' = Bit is set                      '0' = Bit is cleared                      x = Bit is unknown

bit 7-0                      **DEV<10:3>:** Device ID bits<sup>(1)</sup>  
 These bits are used with the DEV<2:0> bits in the Device ID Register 1 to identify the part number.  
 0101 0010 = PIC18F65K90, PIC18F66K90, PIC18F85K90 and PIC18F86K90  
 0101 0001 = PIC18F67K90 and PIC18F87K90

**Note 1:** These values for DEV<10:3> may be shared with other devices. The specific device is always identified by using the entire DEV<10:0> bit sequence.

# PIC18F87K90 FAMILY

## 28.2 Watchdog Timer (WDT)

For the PIC18F87K90 family of devices, the WDT is driven by the LF-INTOSC source. When the WDT is enabled, the clock source is also enabled. The nominal WDT period is 4 ms and has the same stability as the LF-INTOSC oscillator.

The 4 ms period of the WDT is multiplied by a 16-bit postscaler. Any output of the WDT postscaler is selected by a multiplexer, controlled by bits in Configuration Register 2H. Available periods range from 4 ms to 4,194 seconds (about one hour). The WDT and postscaler are cleared when any of the following events occur: a SLEEP or CLRWDT instruction is executed, the IRCF bits (OSCCON<6:4>) are changed or a clock failure has occurred.

The WDT can be operated in one of four modes as determined by the CONFIG2H bits (WDTEN<1:0>). The four modes are:

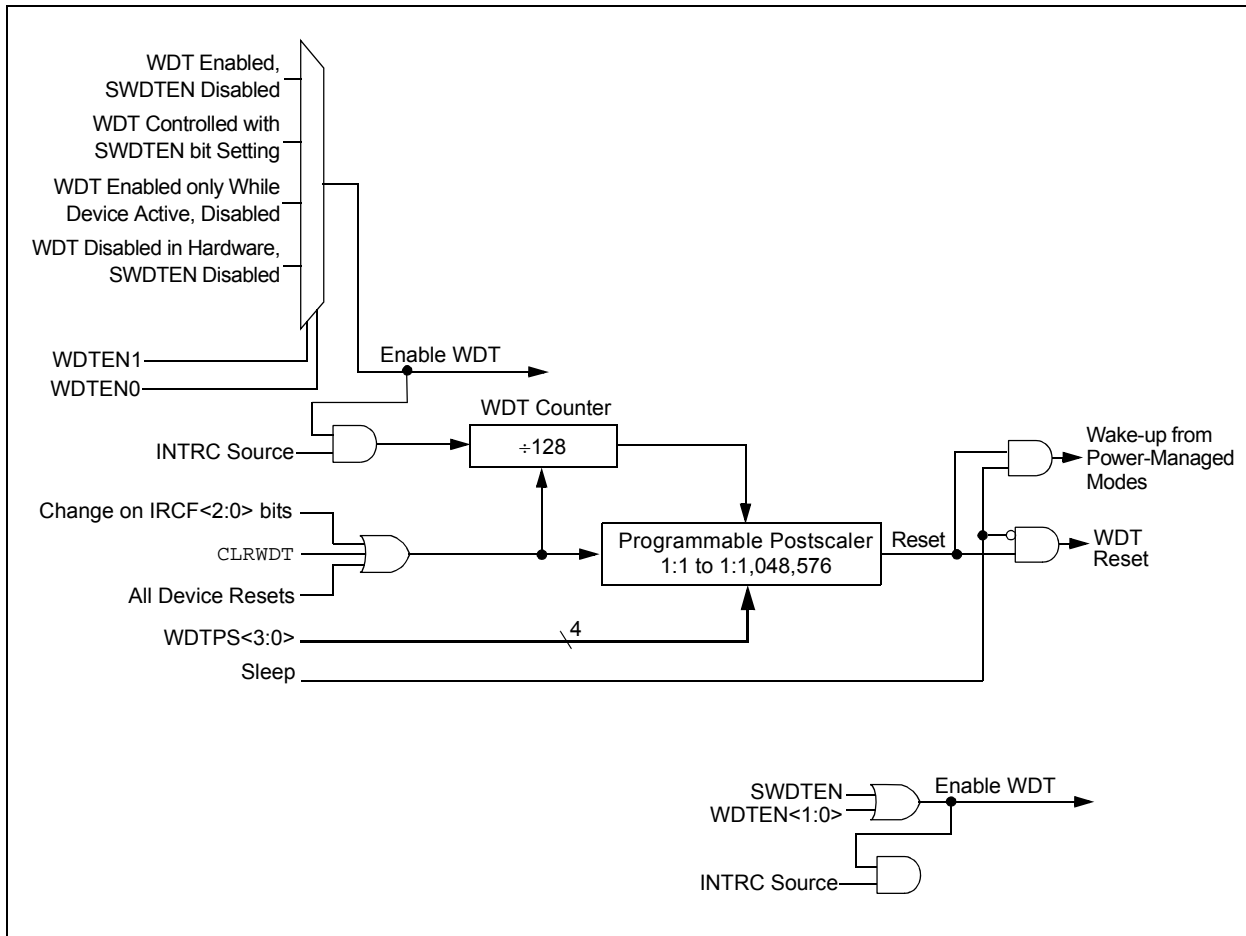
- WDT Enabled
- WDT Disabled
- WDT under Software Control (WDTCON<0>, SWDTEN)
- WDT
  - Enabled during normal operation
  - Disabled during Sleep

**Note 1:** The CLRWDT and SLEEP instructions clear the WDT and postscaler counts when executed.

**2:** Changing the setting of the IRCF bits (OSCCON<6:4>) clears the WDT and postscaler counts.

**3:** When a CLRWDT instruction is executed, the postscaler count will be cleared.

**FIGURE 28-1: WDT BLOCK DIAGRAM**





# PIC18F87K90 FAMILY

## 28.2.1 CONTROL REGISTER

Register 28-16 shows the WDTCON register. This is a readable and writable register which contains a control bit that allows software to override the WDT Enable Configuration bit, but only if the Configuration bit has disabled the WDT.

**REGISTER 28-16: WDTCON: WATCHDOG TIMER CONTROL REGISTER**

|        |     |                       |                       |     |       |                        |                       |
|--------|-----|-----------------------|-----------------------|-----|-------|------------------------|-----------------------|
| R/W-0  | U-0 | R-x                   | R/W-0                 | U-0 | R/W-0 | R/W-0                  | R/W-0                 |
| REGSLP | —   | ULPLVL <sup>(3)</sup> | SRETEN <sup>(2)</sup> | —   | ULPEN | ULPSINK <sup>(3)</sup> | SWDTEN <sup>(1)</sup> |
| bit 7  |     |                       |                       |     |       |                        | bit 0                 |

**Legend:**

R = Readable bit                      W = Writable bit                      U = Unimplemented bit, read as '0'  
 -n = Value at POR                      '1' = Bit is set                      '0' = Bit is cleared                      x = Bit is unknown

- bit 7            **REGSLP:** Regulator Voltage Sleep Enable bit  
                  1 = Regulator goes into Low-Power mode when device's Sleep mode is enabled  
                  0 = Regulator stays in normal mode when device's Sleep mode is activated
- bit 6            **Unimplemented:** Read as '0'
- bit 5            **ULPLVL:** Ultra Low-Power Wake-up Output bit<sup>(3)</sup>  
                  1 = Voltage on RA0 > ~0.5V  
                  0 = Voltage on RA0 < ~0.5V
- bit 4            **SRETEN:** Regulator Voltage Sleep Disable bit<sup>(2)</sup>  
                  1 = If  $\overline{\text{RETEN}}$  (CONFIG1L<0>) = 0 and the regulator is enabled, the device goes into Ultra Low-Power mode in Sleep  
                  0 = The regulator is on when the device's Sleep mode is enabled and the Low-Power mode is controlled by REGSLP
- bit 3            **Unimplemented:** Read as '0'
- bit 2            **ULPEN:** Ultra Low-Power Wake-up (ULPWU) Module Enable bit  
                  1 = Ultra Low-Power Wake-up module is enabled; ULPLVL bit indicates a comparator output  
                  0 = Ultra Low-Power Wake-up module is disabled
- bit 1            **ULPSINK:** Ultra Low-Power Wake-up Current Sink Enable bit<sup>(3)</sup>  
                  1 = Ultra Low-Power Wake-up current sink is enabled  
                  0 = Ultra Low-Power Wake-up current sink is disabled
- bit 0            **SWDTEN:** Software Controlled Watchdog Timer Enable bit<sup>(1)</sup>  
                  1 = Watchdog Timer is on  
                  0 = Watchdog Timer is off

- Note 1:** This bit has no effect if the Configuration bits, WDTEN<1:0>, are enabled.  
**Note 2:** This bit is only available when ENVREG = 1 and  $\overline{\text{RETEN}}$  = 0.  
**Note 3:** This bit is not valid unless ULPEN = 1.

**TABLE 28-2: SUMMARY OF WATCHDOG TIMER REGISTERS**

| Name   | Bit 7  | Bit 6  | Bit 5                  | Bit 4                  | Bit 3                  | Bit 2                  | Bit 1                   | Bit 0                   | Reset Values on Page: |
|--------|--------|--------|------------------------|------------------------|------------------------|------------------------|-------------------------|-------------------------|-----------------------|
| RCON   | IPEN   | SBOREN | $\overline{\text{CM}}$ | $\overline{\text{RI}}$ | $\overline{\text{TO}}$ | $\overline{\text{PD}}$ | $\overline{\text{POR}}$ | $\overline{\text{BOR}}$ | 76                    |
| WDTCON | REGSLP | —      | ULPLVL                 | SRETEN                 | —                      | ULPEN                  | ULPSINK                 | SWDTEN                  | 76                    |

**Legend:** — = unimplemented, read as '0'. Shaded cells are not used by the Watchdog Timer.

# PIC18F87K90 FAMILY

## 28.3 On-Chip Voltage Regulator

All of the PIC18F87K90 family devices power their core digital logic at a nominal 3.3V. For designs that are required to operate at a higher typical voltage, such as 5V, all family devices incorporate two on-chip regulators that allow the device to run its core logic from VDD. Those regulators are:

- Normal On-Chip Regulator
- Ultra Low-Power, On-Chip Regulator

The hardware configuration of these regulators is the same and is explained in [Section 28.3.1 “Regulator Enable/disable by Hardware”](#). The regulators’ only differences relate to when the device enters Sleep, as explained in [Section 28.3.2](#).

### 28.3.1 REGULATOR ENABLE/DISABLE BY HARDWARE

The regulator can be enabled or disabled only by hardware. The regulator is controlled by the ENVREG pin and the VDDCORE/VCAP pin.

#### 28.3.1.1 Regulator Enable Mode

Tying VDD to the pin enables the regulator, which in turn, provides power to the core from the other VDD pins.

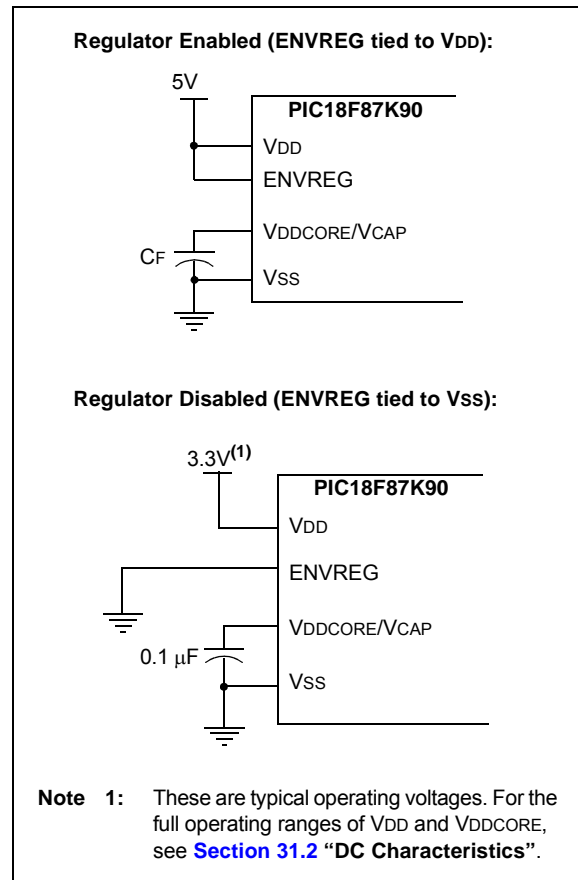
When the regulator is enabled, a low-ESR filter capacitor must be connected to the VDDCORE/VCAP pin (see [Figure 28-2](#)). This helps maintain the regulator’s stability. The recommended value for the filter capacitor is given in [Section 31.2 DC Characteristics](#).

#### 28.3.1.2 Regulator Disable Mode

If ENVREG is tied to VSS, the regulator is disabled. In this case, a 0.1  $\mu\text{F}$  capacitor should be connected to the VDDCORE/VCAP pin (see [Figure 28-2](#)).

When the regulator is being used, the overall voltage budget is very tight. The regulator should operate the device down to 1.8V. When VDD drops below 3.3V, the regulator no longer regulates, but the output voltage follows the input until VDD reaches 1.8V. Below this voltage, the output of the regulator output may drop to 0V.

FIGURE 28-2: CONNECTIONS FOR THE ON-CHIP REGULATOR



# PIC18F87K90 FAMILY

## 28.3.2 OPERATION OF REGULATOR IN SLEEP

The difference in the two regulators' operation arises with Sleep mode. The ultra low-power regulator gives the device the lowest current in the Regulator Enabled mode.

The on-chip regulator can go into a lower power mode, when the device goes to Sleep, by setting the REGSLP bit (WDTCON<7>). This puts the regulator in a standby mode so that the device consumes much less current.

The on-chip regulator can also go into the Ultra Low-Power mode, which consumes the lowest current possible with the regulator enabled. This mode is controlled by the RETEN bit (CONFIG1L<0>) and SRETEN bit (WDTCON<4>).

The various modes of regulator operation are shown in [Table 28-3](#).

When the ultra low-power regulator is in Sleep mode, the internal reference voltages in the chip will be shut off and any interrupts referring to the internal reference will not wake up the device. If the BOR or LVD is enabled, the regulator will keep the internal references on and the lowest possible current will not be achieved.

When using the ultra low-power regulator in Sleep mode, the device will take about 250  $\mu$ s, typical, to start executing the code after it wakes up.

**TABLE 28-3: SLEEP MODE REGULATOR SETTINGS<sup>(1)</sup>**

| Regulator | Power Mode                   | VREGSLP<br>WDTCON<7> | SRETEN<br>WDTCON<4> | RETEN<br>CONFIG1L<0> |
|-----------|------------------------------|----------------------|---------------------|----------------------|
| Enabled   | Normal Operation (Sleep)     | 0                    | x                   | 1                    |
| Enabled   | Low-Power mode (Sleep)       | 1                    | x                   | 1                    |
| Enabled   | Normal Operation (Sleep)     | 0                    | 0                   | x                    |
| Enabled   | Low-Power mode (Sleep)       | 1                    | 0                   | x                    |
| Enabled   | Ultra Low-Power mode (Sleep) | x                    | 1                   | 0                    |

**Note 1:** x = Indicates that V<sub>IT</sub> status is invalid.

# PIC18F87K90 FAMILY

## 28.4 Two-Speed Start-up

The Two-Speed Start-up feature helps to minimize the latency period, from oscillator start-up to code execution, by allowing the microcontroller to use the INTOSC (LF-INTOSC, MF-INTOSC, HF-INTOSC) oscillator as a clock source, until the primary clock source is available. It is enabled by setting the IESO Configuration bit.

Two-Speed Start-up should be enabled only if the primary oscillator mode is LP, XT or HS (Crystal-Based modes). Other sources do not require an OST start-up delay; for these, Two-Speed Start-up should be disabled.

When enabled, Resets and wake-ups from Sleep mode cause the device to configure itself to run from the internal oscillator block as the clock source, following the time-out of the Power-up Timer after a Power-on Reset is enabled. This allows almost immediate code execution while the primary oscillator starts and the OST is running. Once the OST times out, the device automatically switches to PRI\_RUN mode.

To use a higher clock speed on wake-up, the INTOSC or postscaler clock sources can be selected to provide a higher clock speed by setting bits, IRCF<2:0>, immediately after Reset. For wake-ups from Sleep, the INTOSC or postscaler clock sources can be selected by setting the IRCF<2:0> bits prior to entering Sleep mode.

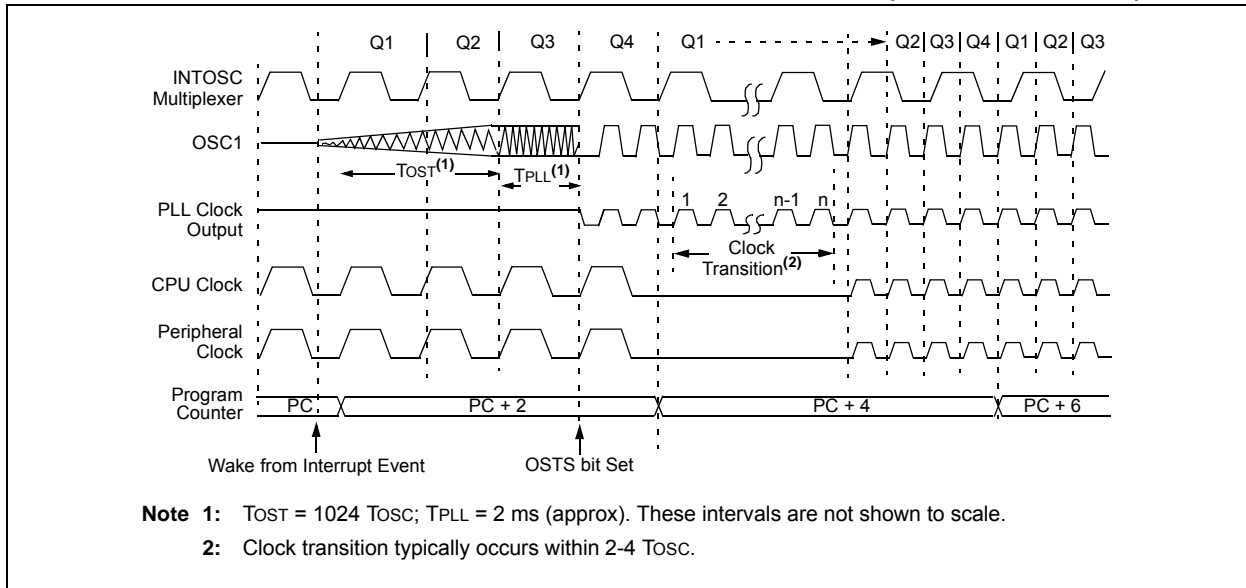
In all other power-managed modes, Two-Speed Start-up is not used. The device will be clocked by the currently selected clock source until the primary clock source becomes available. The setting of the IESO bit is ignored.

### 28.4.1 SPECIAL CONSIDERATIONS FOR USING TWO-SPEED START-UP

While using the INTOSC oscillator in Two-Speed Start-up, the device still obeys the normal command sequences for entering power-managed modes, including multiple SLEEP instructions (refer to [Section 4.1.4 "Multiple Sleep Commands"](#)). In practice, this means that user code can change the SCS<1:0> bit settings or issue SLEEP instructions before the OST times out. This would allow an application to briefly wake-up, perform routine "housekeeping" tasks and return to Sleep before the device starts to operate from the primary oscillator.

User code can also check if the primary clock source is currently providing the device clocking by checking the status of the OSTS bit (OSCCON<3>). If the bit is set, the primary oscillator is providing the clock. Otherwise, the internal oscillator block is providing the clock during wake-up from Reset or Sleep mode.

**FIGURE 28-3: TIMING TRANSITION FOR TWO-SPEED START-UP (INTOSC TO HSPLL)**

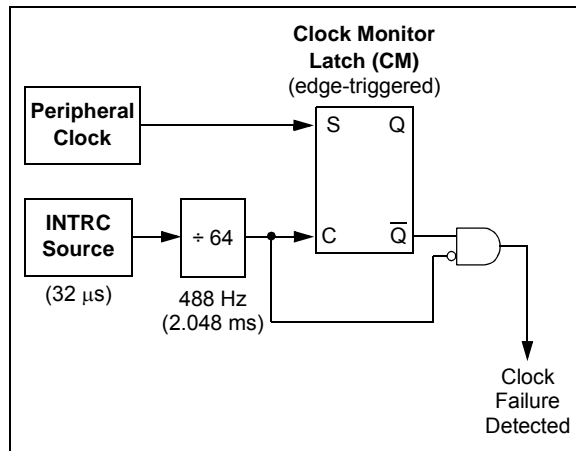


## 28.5 Fail-Safe Clock Monitor

The Fail-Safe Clock Monitor (FSCM) allows the microcontroller to continue operation in the event of an external oscillator failure by automatically switching the device clock to the internal oscillator block. The FSCM function is enabled by setting the FCMEN Configuration bit.

When FSCM is enabled, the LF-INTOSC oscillator runs at all times to monitor clocks to peripherals and provide a backup clock in the event of a clock failure. Clock monitoring (shown in Figure 28-4) is accomplished by creating a sample clock signal, which is the output from the LF-INTOSC, divided by 64. This allows ample time between FSCM sample clocks for a peripheral clock edge to occur. The peripheral device clock and the sample clock are presented as inputs to the Clock Monitor (CM) latch. The CM is set on the falling edge of the device clock source, but cleared on the rising edge of the sample clock.

**FIGURE 28-4: FSCM BLOCK DIAGRAM**



Clock failure is tested for on the falling edge of the sample clock. If a sample clock falling edge occurs while CM is still set, a clock failure has been detected (Figure 28-5). This causes the following:

- The FSCM generates an oscillator fail interrupt by setting bit, OSCFIF (PIR2<7>)
- The device clock source switches to the internal oscillator block (OSCCON is not updated to show the current clock source – this is the Fail-Safe condition)
- The WDT is reset

During switchover, the postscaler frequency from the internal oscillator block may not be sufficiently stable for timing-sensitive applications. In these cases, it may be desirable to select another clock configuration and enter an alternate power-managed mode. This can be done to attempt a partial recovery or execute a controlled shut-down. See Section 4.1.4 “Multiple Sleep Commands” and Section 28.4.1 “Special Considerations for Using Two-Speed Start-up” for more details.

To use a higher clock speed on wake-up, the INTOSC or postscaler clock sources can be selected to provide a higher clock speed by setting bits, IRCF<2:0>, immediately after Reset. For wake-ups from Sleep, the INTOSC or postscaler clock sources can be selected by setting the IRCF<2:0> bits prior to entering Sleep mode.

The FSCM will detect only failures of the primary or secondary clock sources. If the internal oscillator block fails, no failure would be detected nor would any action be possible.

### 28.5.1 FSCM AND THE WATCHDOG TIMER

Both the FSCM and the WDT are clocked by the INTOSC oscillator. Since the WDT operates with a separate divider and counter, disabling the WDT has no effect on the operation of the INTOSC oscillator when the FSCM is enabled.

As already noted, the clock source is switched to the INTOSC clock when a clock failure is detected. Depending on the frequency selected by the IRCF<2:0> bits, this may mean a substantial change in the speed of code execution. If the WDT is enabled with a small prescale value, a decrease in clock speed allows a WDT time-out to occur and a subsequent device Reset. For this reason, Fail-Safe Clock events also reset the WDT and postscaler, allowing it to start timing from when execution speed was changed, and decreasing the likelihood of an erroneous time-out.

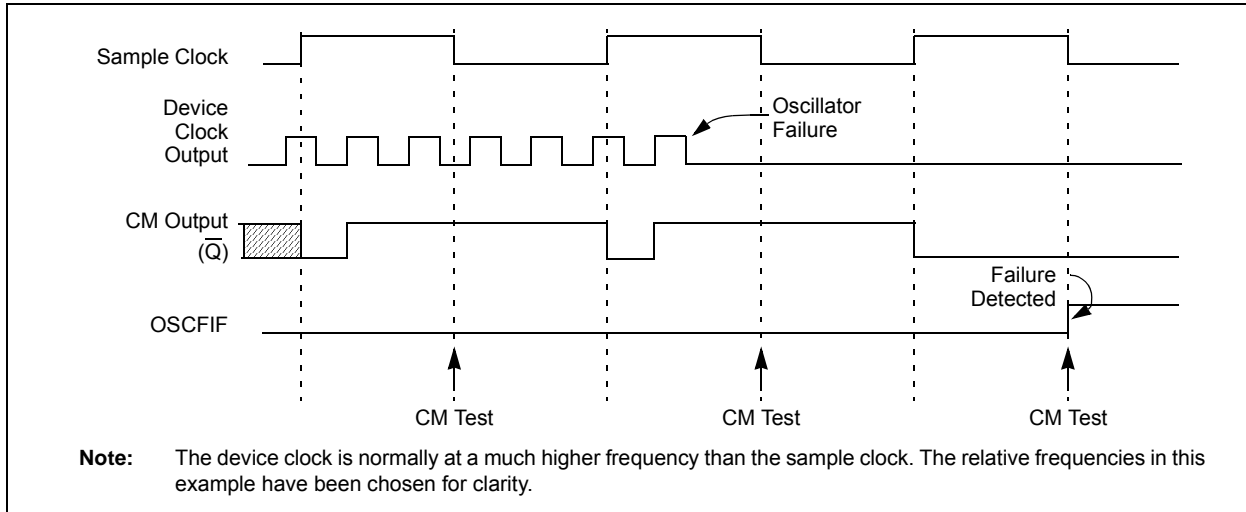
### 28.5.2 EXITING FAIL-SAFE OPERATION

The Fail-Safe condition is terminated by either a device Reset or by entering a power-managed mode. On Reset, the controller starts the primary clock source specified in Configuration Register 1H (with any required start-up delays that are required for the oscillator mode, such as the OST or PLL timer). The INTOSC multiplexer provides the device clock until the primary clock source becomes ready (similar to a Two-Speed Start-up). The clock source is then switched to the primary clock (indicated by the OSTS bit in the OSCCON register becoming set). The Fail-Safe Clock Monitor then resumes monitoring the peripheral clock.

The primary clock source may never become ready during start-up. In this case, operation is clocked by the INTOSC multiplexer. The OSCCON register will remain in its Reset state until a power-managed mode is entered.

# PIC18F87K90 FAMILY

FIGURE 28-5: FSCM TIMING DIAGRAM



### 28.5.3 FSCM INTERRUPTS IN POWER-MANAGED MODES

By entering a power-managed mode, the clock multiplexer selects the clock source selected by the OSCCON register. Fail-Safe Monitoring of the power-managed clock source resumes in the power-managed mode.

If an oscillator failure occurs during power-managed operation, the subsequent events depend on whether or not the Oscillator Failure Interrupt Flag is enabled. If enabled (OSCFIF = 1), code execution will be clocked by the INTOSC multiplexer. An automatic transition back to the failed clock source will not occur.

If the interrupt is disabled, subsequent interrupts while in Idle mode will cause the CPU to begin executing instructions while being clocked by the INTOSC source.

### 28.5.4 POR OR WAKE FROM SLEEP

The FSCM is designed to detect oscillator failure at any point after the device has exited Power-on Reset (POR) or low-power Sleep mode. When the primary device clock is EC, RC or INTRC modes, monitoring can begin immediately following these events.

For oscillator modes involving a crystal or resonator (HS, HSPLL, LP or XT), the situation is somewhat different. Since the oscillator may require a start-up time considerably longer than the FSCM sample clock time, a false clock failure may be detected. To prevent this, the internal oscillator block is automatically configured as the device clock and functions until the primary clock is stable (when the OST and PLL timers have timed out).

This is identical to Two-Speed Start-up mode. Once the primary clock is stable, the INTOSC returns to its role as the FSCM source.

**Note:** The same logic that prevents false oscillator failure interrupts on POR, or wake from Sleep, also prevents the detection of the oscillator's failure to start at all following these events. This can be avoided by monitoring the OSTS bit and using a timing routine to determine if the oscillator is taking too long to start. Even so, no oscillator failure interrupt will be flagged.

As noted in [Section 28.4.1 "Special Considerations for Using Two-Speed Start-up"](#), it is also possible to select another clock configuration and enter an alternate power-managed mode while waiting for the primary clock to become stable. When the new power-managed mode is selected, the primary clock is disabled.

# PIC18F87K90 FAMILY

## 28.6 Program Verification and Code Protection

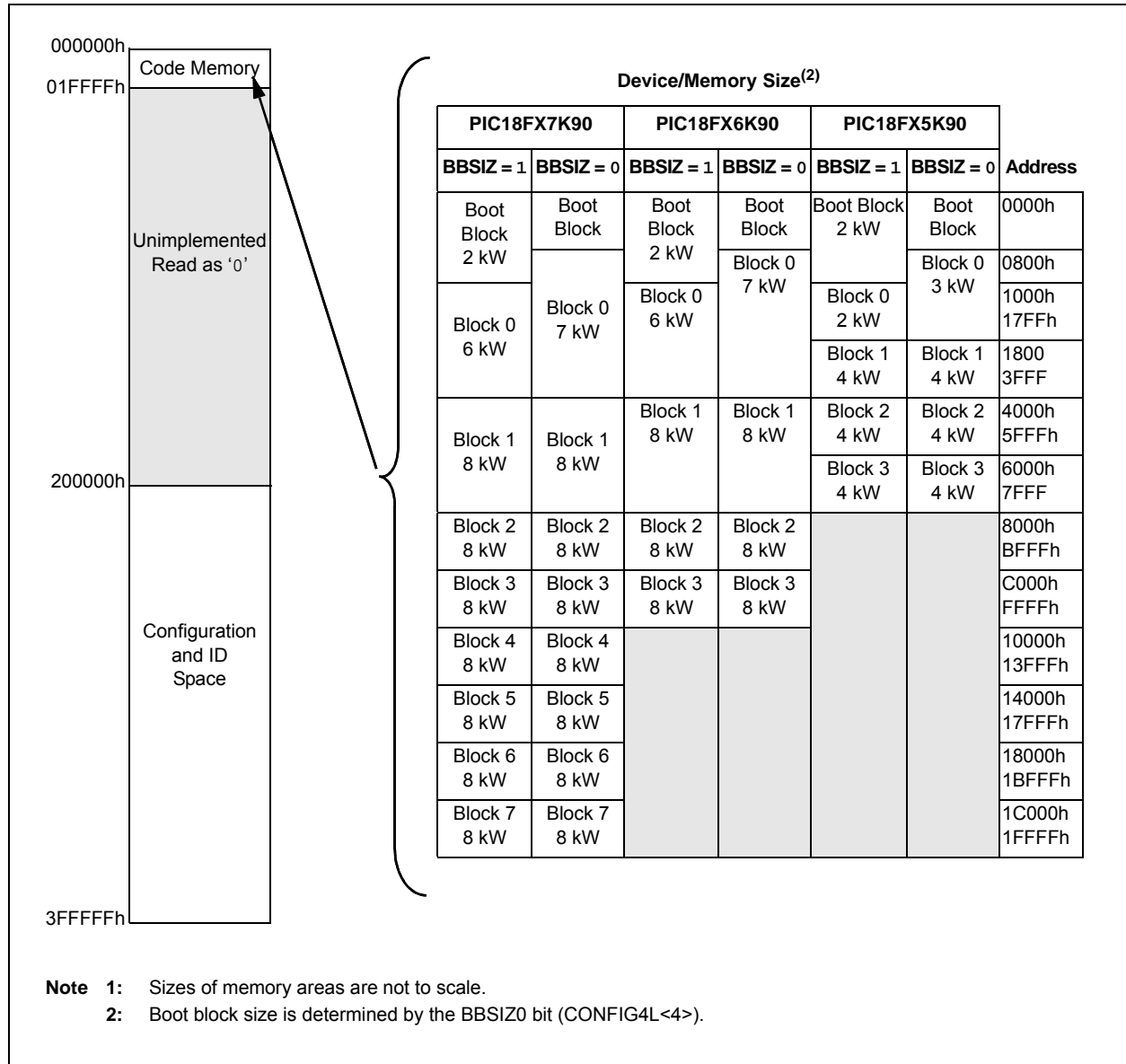
The user program memory is divided into four blocks for the PIC18FX5K90 device and PIC18FX6K90 devices, and eight blocks for PIC18FX7K90 devices. One of these is a boot block of 1 or 2 Kbytes. The remainder of the memory is divided into blocks on binary boundaries.

Each of the blocks has three code protection bits associated with them. They are:

- Code-Protect bit (CPn)
- Write-Protect bit (WRTn)
- External Block Table Read bit (EBTRn)

Figure 28-6 shows the program memory organization for 48, 64, 96 and 128-Kbyte devices and the specific code protection bit associated with each block. The actual locations of the bits are summarized in Table 28-4.

**FIGURE 28-6: CODE-PROTECTED PROGRAM MEMORY FOR THE PIC18F87K90 FAMILY<sup>(1)</sup>**



# PIC18F87K90 FAMILY

**TABLE 28-4: SUMMARY OF CODE PROTECTION REGISTERS**

| File Name        | Bit 7                | Bit 6                | Bit 5                | Bit 4                | Bit 3 | Bit 2 | Bit 1 | Bit 0 |
|------------------|----------------------|----------------------|----------------------|----------------------|-------|-------|-------|-------|
| 300008h CONFIG5L | CP7 <sup>(1)</sup>   | CP6 <sup>(1)</sup>   | CP5 <sup>(1)</sup>   | CP4 <sup>(1)</sup>   | CP3   | CP2   | CP1   | CP0   |
| 300009h CONFIG5H | CPD                  | CPB                  | —                    | —                    | —     | —     | —     | —     |
| 30000Ah CONFIG6L | WRT7 <sup>(1)</sup>  | WRT6 <sup>(1)</sup>  | WRT5 <sup>(1)</sup>  | WRT4 <sup>(1)</sup>  | WRT3  | WRT2  | WRT1  | WRT0  |
| 30000Bh CONFIG6H | WRTD                 | WRTB                 | WRTC                 | —                    | —     | —     | —     | —     |
| 30000Ch CONFIG7L | EBRT7 <sup>(1)</sup> | EBRT6 <sup>(1)</sup> | EBTR5 <sup>(1)</sup> | EBTR4 <sup>(1)</sup> | EBTR3 | EBTR2 | EBTR1 | EBTR0 |
| 30000Dh CONFIG7H | —                    | EBTRB                | —                    | —                    | —     | —     | —     | —     |

**Legend:** Shaded cells are unimplemented.

**Note 1:** This bit is available only on the PIC18F67K90 and PIC18F87K90 devices.

## 28.6.1 PROGRAM MEMORY CODE PROTECTION

The program memory may be read to, or written from, any location using the table read and table write instructions. The Device ID may be read with table reads. The Configuration registers may be read and written with the table read and table write instructions.

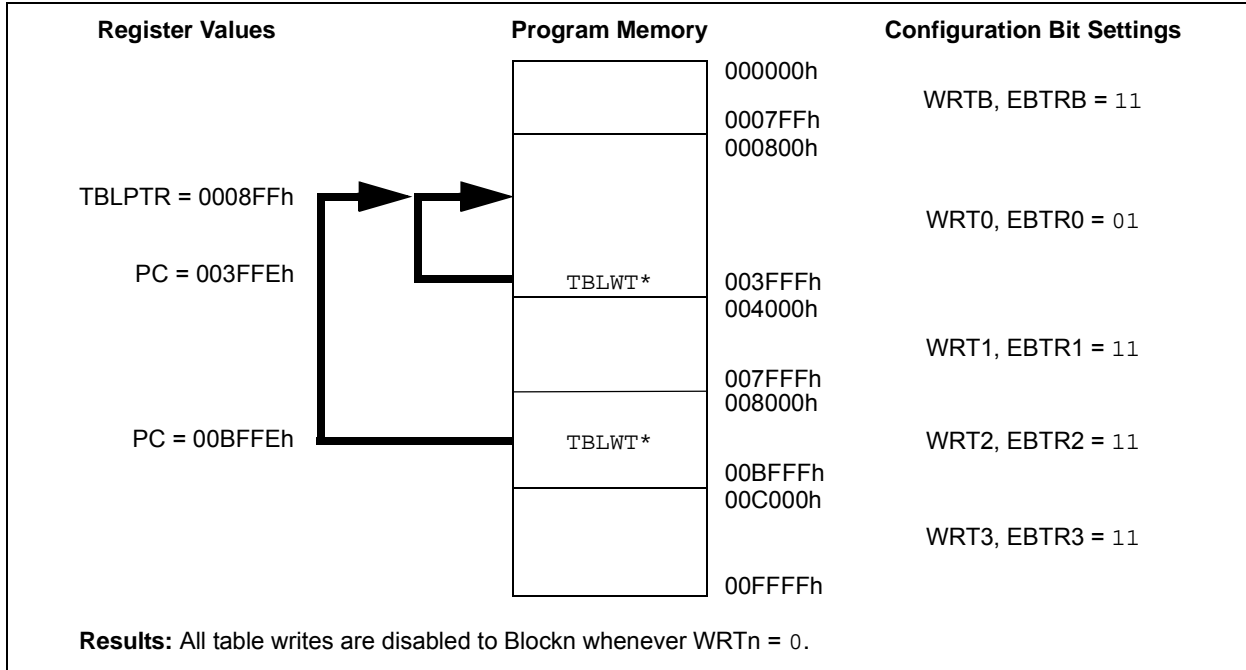
In Normal Execution mode, the CPn bits have no direct effect. CPn bits inhibit external reads and writes. A block of user memory may be protected from table writes if the WRTn Configuration bit is '0'.

The EBTRn bits control table reads. For a block of user memory with the EBTRn bit set to '0', a table read instruction that executes from within that block is allowed to read. A table read instruction that executes from a

location outside of that block is not allowed to read and will result in reading '0's. Figures 28-7 through 28-9 illustrate table write and table read protection.

**Note:** Code protection bits may only be written to a '0' from a '1' state. It is not possible to write a '1' to a bit in the '0' state. Code protection bits are only set to '1' by a full chip erase or block erase function. The full chip erase and block erase functions can only be initiated via ICSP or an external programmer. Refer to the device programming specification for more information.

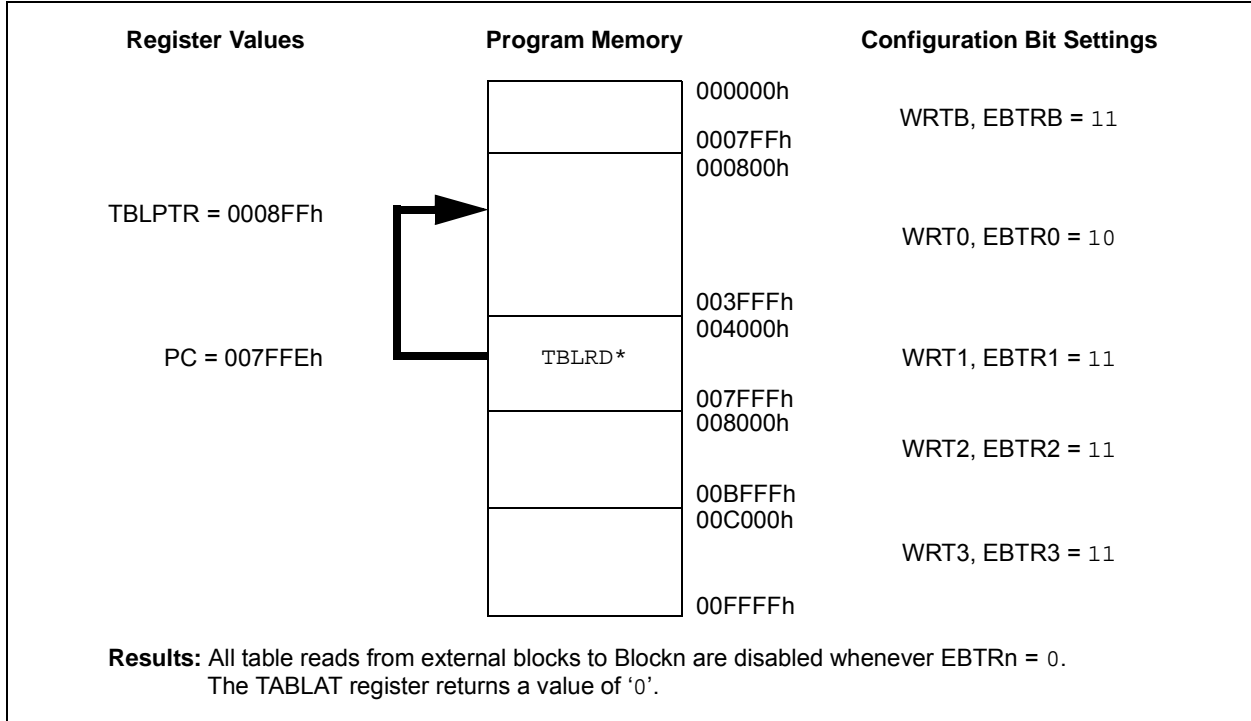
**FIGURE 28-7: TABLE WRITE (WRTn) DISABLED**



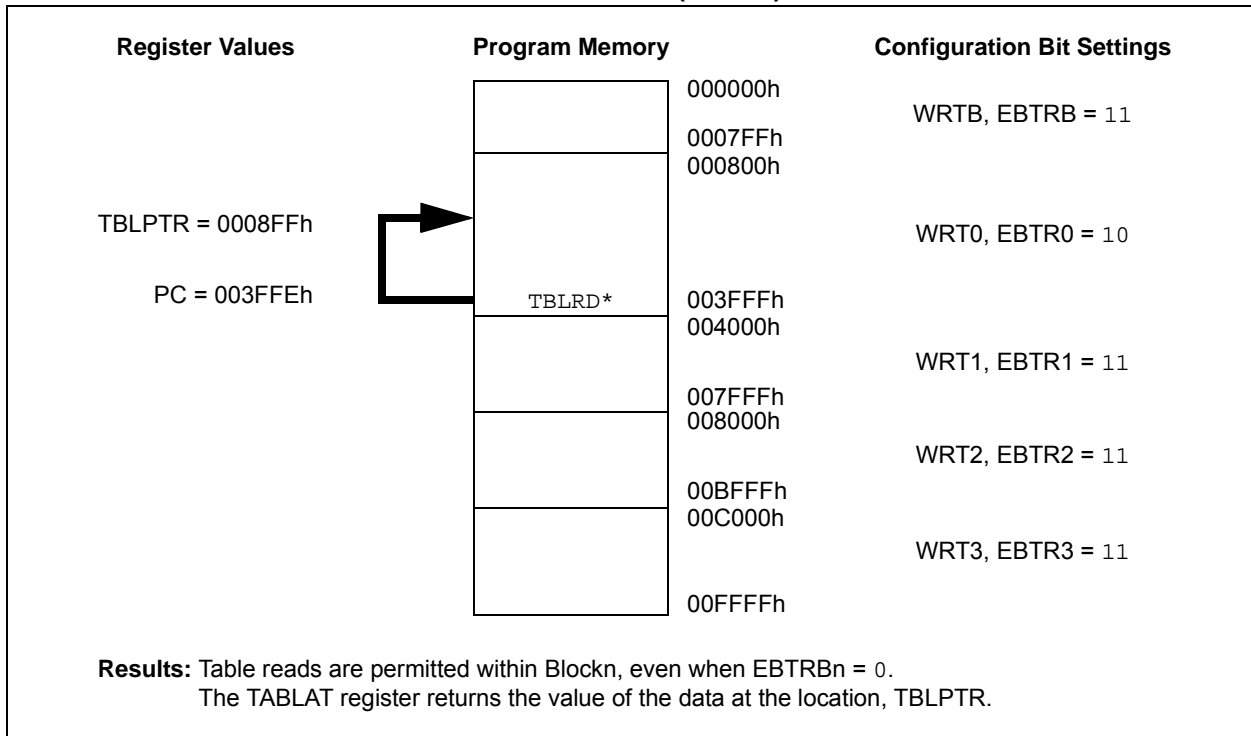


# PIC18F87K90 FAMILY

**FIGURE 28-8: EXTERNAL BLOCK TABLE READ (EBTRn) DISALLOWED**



**FIGURE 28-9: EXTERNAL BLOCK TABLE READ (EBTRn) ALLOWED**



# PIC18F87K90 FAMILY

---

## 28.6.2 DATA EEPROM CODE PROTECTION

The entire data EEPROM is protected from external reads and writes by two bits: CPD and WRTD. CPD inhibits external reads and writes of data EEPROM. WRTD inhibits internal and external writes to data EEPROM. The CPU can always read data EEPROM under normal operation, regardless of the protection bit settings.

## 28.6.3 CONFIGURATION REGISTER PROTECTION

The Configuration registers can be write-protected. The WRTC bit controls protection of the Configuration registers. In Normal Execution mode, the WRTC bit is readable only. WRTC can only be written via ICSP or an external programmer.

## 28.7 ID Locations

Eight memory locations (200000h-200007h) are designated as ID locations, where the user can store checksum or other code identification numbers. These locations are both readable and writable, during Normal Execution mode through the TBLRD and TBLWT instructions, or during program/verify. The ID locations can be read when the device is code-protected.

## 28.8 In-Circuit Serial Programming

The PIC18F87K90 family of devices can be serially programmed while in the end application circuit. This is simply done with two lines for clock and data, and three other lines for power, ground and the programming voltage. This allows customers to manufacture boards with unprogrammed devices and then program the microcontroller just before shipping the product. This also allows the most recent firmware or a custom firmware to be programmed. For the various programming modes, please refer to the device programming specification.

## 28.9 In-Circuit Debugger

When the  $\overline{\text{DEBUG}}$  Configuration bit is programmed to a '0', the In-Circuit Debugger (ICD) functionality is enabled. This function allows simple debugging functions when used with MPLAB<sup>®</sup> IDE. When the microcontroller has this feature enabled, some resources are not available for general use. [Table 28-5](#) shows which resources are required by the background debugger.

**TABLE 28-5: DEBUGGER RESOURCES**

|                        |            |
|------------------------|------------|
| <b>I/O Pins:</b>       | RB6, RB7   |
| <b>Stack:</b>          | Two Levels |
| <b>Program Memory:</b> | 512 Bytes  |
| <b>Data Memory:</b>    | 10 Bytes   |

To use the In-Circuit Debugger function of the microcontroller, the design must implement In-Circuit Serial Programming connections to  $\overline{\text{MCLR}}/\text{RG5}/\text{VPP}$ ,  $\text{VDD}$ ,  $\text{Vss}$ , RB7 and RB6. This will interface to the In-Circuit Debugger module, available from Microchip or one of the third party development tool companies.

## 29.0 INSTRUCTION SET SUMMARY

The PIC18F87K90 family of devices incorporates the standard set of 75 PIC18 core instructions, as well as an extended set of 8 new instructions for the optimization of code that is recursive or that utilizes a software stack. The extended set is discussed later in this section.

### 29.1 Standard Instruction Set

The standard PIC18 MCU instruction set adds many enhancements to the previous PIC<sup>®</sup> MCU instruction sets, while maintaining an easy migration from these PIC MCU instruction sets. Most instructions are a single program memory word (16 bits), but there are four instructions that require two program memory locations.

Each single-word instruction is a 16-bit word divided into an opcode, which specifies the instruction type and one or more operands, which further specify the operation of the instruction.

The instruction set is highly orthogonal and is grouped into four basic categories:

- **Byte-oriented** operations
- **Bit-oriented** operations
- **Literal** operations
- **Control** operations

The PIC18 instruction set summary in [Table 29-2](#) lists **byte-oriented**, **bit-oriented**, **literal** and **control** operations. [Table 29-1](#) shows the opcode field descriptions.

Most **byte-oriented** instructions have three operands:

1. The file register (specified by 'f')
2. The destination of the result (specified by 'd')
3. The accessed memory (specified by 'a')

The file register designator, 'f', specifies which file register is to be used by the instruction. The destination designator, 'd', specifies where the result of the operation is to be placed. If 'd' is zero, the result is placed in the WREG register. If 'd' is one, the result is placed in the file register specified in the instruction.

All **bit-oriented** instructions have three operands:

1. The file register (specified by 'f')
2. The bit in the file register (specified by 'b')
3. The accessed memory (specified by 'a')

The bit field designator, 'b', selects the number of the bit affected by the operation, while the file register designator, 'f', represents the number of the file in which the bit is located.

The **literal** instructions may use some of the following operands:

- A literal value to be loaded into a file register (specified by 'k')
- The desired FSR register to load the literal value into (specified by 'f')
- No operand required (specified by '—')

The **control** instructions may use some of the following operands:

- A program memory address (specified by 'n')
- The mode of the `CALL` or `RETURN` instructions (specified by 's')
- The mode of the table read and table write instructions (specified by 'm')
- No operand required (specified by '—')

All instructions are a single word, except for four double-word instructions. These instructions were made double-word to contain the required information in 32 bits. In the second word, the 4 MSBs are '1's. If this second word is executed as an instruction (by itself), it will execute as a `NOP`.

All single-word instructions are executed in a single instruction cycle, unless a conditional test is true or the Program Counter is changed as a result of the instruction. In these cases, the execution takes two instruction cycles with the additional instruction cycle(s) executed as a `NOP`.

The double-word instructions execute in two instruction cycles.

One instruction cycle consists of four oscillator periods. Thus, for an oscillator frequency of 4 MHz, the normal instruction execution time is 1  $\mu$ s. If a conditional test is true, or the Program Counter is changed as a result of an instruction, the instruction execution time is 2  $\mu$ s. Two-word branch instructions (if true) would take 3  $\mu$ s.

[Figure 29-1](#) shows the general formats that the instructions can have. All examples use the convention 'nnh' to represent a hexadecimal number.

The Instruction Set Summary, shown in [Table 29-2](#), lists the standard instructions recognized by the Microchip MPASM<sup>™</sup> Assembler.

[Section 29.1.1 "Standard Instruction Set"](#) provides a description of each instruction.

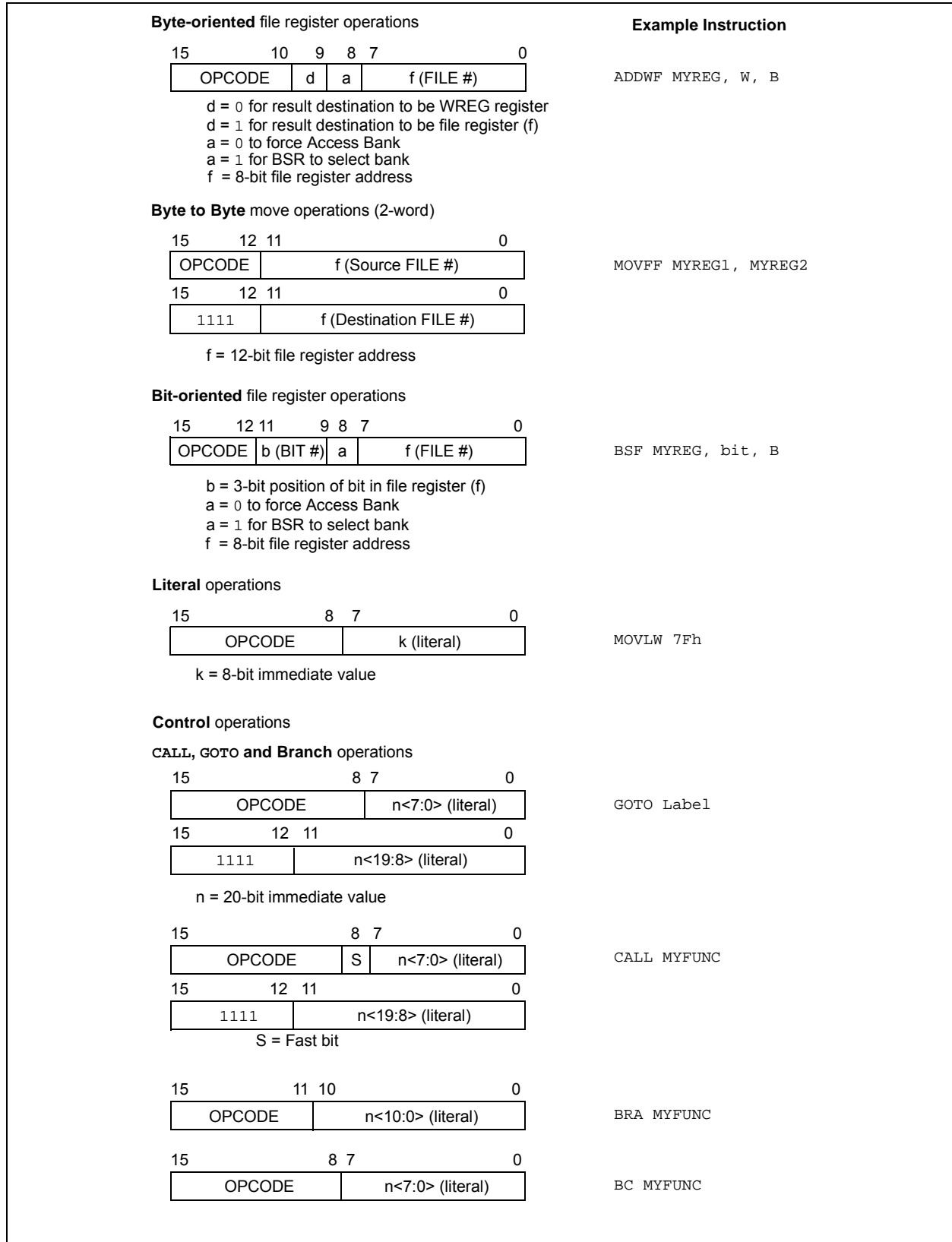
# PIC18F87K90 FAMILY

**TABLE 29-1: OPCODE FIELD DESCRIPTIONS**

| Field           | Description  |
|-----------------|--|
| a               | RAM access bit:<br>a = 0: RAM location in Access RAM (BSR register is ignored)<br>a = 1: RAM bank is specified by BSR register                                 |
| bbb             | Bit address within an 8-bit file register (0 to 7).  |
| BSR             | Bank Select Register. Used to select the current RAM bank.   |
| C, DC, Z, OV, N | ALU Status bits: <b>C</b> arry, <b>D</b> igit <b>C</b> arry, <b>Z</b> ero, <b>O</b> verflow, <b>N</b> egative.   |
| d               | Destination select bit:<br>d = 0: store result in WREG<br>d = 1: store result in file register f   |
| dest            | Destination: either the WREG register or the specified register file location.   |
| f               | 8-bit register file address (00h to FFh), or 2-bit FSR designator (0h to 3h).  |
| f <sub>s</sub>  | 12-bit register file address (000h to FFFh). This is the source address.   |
| f <sub>d</sub>  | 12-bit register file address (000h to FFFh). This is the destination address.  |
| GIE             | Global Interrupt Enable bit.   |
| k               | Literal field, constant data or label (may be either an 8-bit, 12-bit or a 20-bit value).  |
| label           | Label name.  |
| mm              | The mode of the TBLPTR register for the table read and table write instructions.<br>Only used with table read and table write instructions:                    |
| *               | No Change to register (such as TBLPTR with table reads and writes)   |
| *+              | Post-Increment register (such as TBLPTR with table reads and writes)   |
| *-              | Post-Decrement register (such as TBLPTR with table reads and writes)   |
| ++              | Pre-Increment register (such as TBLPTR with table reads and writes)  |
| n               | The relative address (2's complement number) for relative branch instructions or the direct address for Call/Branch and Return instructions.                   |
| PC              | Program Counter.   |
| PCL             | Program Counter Low Byte.  |
| PCH             | Program Counter High Byte.   |
| PCLATH          | Program Counter High Byte Latch.   |
| PCLATU          | Program Counter Upper Byte Latch.  |
| PD              | Power-Down bit.  |
| PRODH           | Product of Multiply High Byte.   |
| PRODL           | Product of Multiply Low Byte.  |
| s               | Fast Call/Return mode select bit:<br>s = 0: do not update into/from shadow registers<br>s = 1: certain registers loaded into/from shadow registers (Fast mode) |
| TBLPTR          | 21-bit Table Pointer (points to a Program Memory location).  |
| TABLAT          | 8-bit Table Latch.   |
| T0              | Time-out bit.  |
| TOS             | Top-of-Stack.  |
| u               | Unused or Unchanged.   |
| WDT             | Watchdog Timer.  |
| WREG            | Working register (accumulator).  |
| x               | Don't care ('0' or '1'). The assembler will generate code with x = 0. It is the recommended form of use for compatibility with all Microchip software tools.   |
| z <sub>s</sub>  | 7-bit offset value for Indirect Addressing of register files (source).   |
| z <sub>d</sub>  | 7-bit offset value for Indirect Addressing of register files (destination).  |
| { }             | Optional argument.   |
| [text]          | Indicates an Indexed Address.  |
| (text)          | The contents of text.  |
| [expr]<n>       | Specifies bit n of the register indicated by the pointer expr.   |
| →               | Assigned to.   |
| < >             | Register bit field.  |
| ∈               | In the set of.   |
| italics         | User-defined term (font is Courier New).   |

# PIC18F87K90 FAMILY

**FIGURE 29-1: GENERAL FORMAT FOR INSTRUCTIONS**



# PIC18F87K90 FAMILY

TABLE 29-2: PIC18F87K90 FAMILY INSTRUCTION SET

| Mnemonic,<br>Operands           | Description                     | Cycles  | 16-Bit Instruction Word |      |      |      | Status<br>Affected | Notes           |            |
|---------------------------------|---------------------------------|---|-------------------------|------|------|------|--------------------|-----------------|------------|
|                                 |                                 |   | MSb                     |      |      | LSb  |                    |                 |            |
| <b>BYTE-ORIENTED OPERATIONS</b> |                                 |   |                         |      |      |      |                    |                 |            |
| ADDWF                           | f, d, a                         | Add WREG and f  | 1                       | 0010 | 01da | ffff | ffff               | C, DC, Z, OV, N | 1, 2       |
| ADDWFC                          | f, d, a                         | Add WREG and Carry bit to f   | 1                       | 0010 | 00da | ffff | ffff               | C, DC, Z, OV, N | 1, 2       |
| ANDWF                           | f, d, a                         | AND WREG with f   | 1                       | 0001 | 01da | ffff | ffff               | Z, N            | 1, 2       |
| CLRF                            | f, a                            | Clear f   | 1                       | 0110 | 101a | ffff | ffff               | Z               | 2          |
| COMF                            | f, d, a                         | Complement f  | 1                       | 0001 | 11da | ffff | ffff               | Z, N            | 1, 2       |
| CPFSEQ                          | f, a                            | Compare f with WREG, Skip =   | 1 (2 or 3)              | 0110 | 001a | ffff | ffff               | None            | 4          |
| CPFSGT                          | f, a                            | Compare f with WREG, Skip >   | 1 (2 or 3)              | 0110 | 010a | ffff | ffff               | None            | 4          |
| CPFSLT                          | f, a                            | Compare f with WREG, Skip <   | 1 (2 or 3)              | 0110 | 000a | ffff | ffff               | None            | 1, 2       |
| DECf                            | f, d, a                         | Decrement f   | 1                       | 0000 | 01da | ffff | ffff               | C, DC, Z, OV, N | 1, 2, 3, 4 |
| DECFSZ                          | f, d, a                         | Decrement f, Skip if 0  | 1 (2 or 3)              | 0010 | 11da | ffff | ffff               | None            | 1, 2, 3, 4 |
| DCFSNZ                          | f, d, a                         | Decrement f, Skip if Not 0  | 1 (2 or 3)              | 0100 | 11da | ffff | ffff               | None            | 1, 2       |
| INCF                            | f, d, a                         | Increment f   | 1                       | 0010 | 10da | ffff | ffff               | C, DC, Z, OV, N | 1, 2, 3, 4 |
| INCFSZ                          | f, d, a                         | Increment f, Skip if 0  | 1 (2 or 3)              | 0011 | 11da | ffff | ffff               | None            | 4          |
| INFSNZ                          | f, d, a                         | Increment f, Skip if Not 0  | 1 (2 or 3)              | 0100 | 10da | ffff | ffff               | None            | 1, 2       |
| IORWF                           | f, d, a                         | Inclusive OR WREG with f  | 1                       | 0001 | 00da | ffff | ffff               | Z, N            | 1, 2       |
| MOVf                            | f, d, a                         | Move f  | 1                       | 0101 | 00da | ffff | ffff               | Z, N            | 1          |
| MOVFF                           | f <sub>s</sub> , f <sub>d</sub> | Move f <sub>s</sub> (source) to 1st word<br>f <sub>d</sub> (destination) 2nd word | 2                       | 1100 | ffff | ffff | ffff               | None            |            |
| MOVWF                           | f, a                            | Move WREG to f  | 1                       | 0110 | 111a | ffff | ffff               | None            |            |
| MULWF                           | f, a                            | Multiply WREG with f  | 1                       | 0000 | 001a | ffff | ffff               | None            | 1, 2       |
| NEGF                            | f, a                            | Negate f  | 1                       | 0110 | 110a | ffff | ffff               | C, DC, Z, OV, N |            |
| RLCF                            | f, d, a                         | Rotate Left f through Carry   | 1                       | 0011 | 01da | ffff | ffff               | C, Z, N         | 1, 2       |
| RLNCF                           | f, d, a                         | Rotate Left f (No Carry)  | 1                       | 0100 | 01da | ffff | ffff               | Z, N            |            |
| RRCF                            | f, d, a                         | Rotate Right f through Carry  | 1                       | 0011 | 00da | ffff | ffff               | C, Z, N         |            |
| RRNCF                           | f, d, a                         | Rotate Right f (No Carry)   | 1                       | 0100 | 00da | ffff | ffff               | Z, N            |            |
| SETf                            | f, a                            | Set f   | 1                       | 0110 | 100a | ffff | ffff               | None            | 1, 2       |
| SUBFWB                          | f, d, a                         | Subtract f from WREG with<br>Borrow   | 1                       | 0101 | 01da | ffff | ffff               | C, DC, Z, OV, N |            |
| SUBWF                           | f, d, a                         | Subtract WREG from f  | 1                       | 0101 | 11da | ffff | ffff               | C, DC, Z, OV, N | 1, 2       |
| SUBWFB                          | f, d, a                         | Subtract WREG from f with<br>Borrow   | 1                       | 0101 | 10da | ffff | ffff               | C, DC, Z, OV, N |            |
| SWAPF                           | f, d, a                         | Swap Nibbles in f   | 1                       | 0011 | 10da | ffff | ffff               | None            | 4          |
| TSTFSZ                          | f, a                            | Test f, Skip if 0   | 1 (2 or 3)              | 0110 | 011a | ffff | ffff               | None            | 1, 2       |
| XORWF                           | f, d, a                         | Exclusive OR WREG with f  | 1                       | 0001 | 10da | ffff | ffff               | Z, N            |            |

- Note 1:** When a PORT register is modified as a function of itself (e.g., MOVF PORTB, 1, 0), the value used will be that value present on the pins themselves. For example, if the data latch is '1' for a pin configured as input and is driven low by an external device, the data will be written back with a '0'.
- If this instruction is executed on the TMR0 register (and, where applicable, d = 1), the prescaler will be cleared if assigned.
  - If the Program Counter (PC) is modified or a conditional test is true, the instruction requires two cycles. The second cycle is executed as a NOP.
  - Some instructions are two-word instructions. The second word of these instructions will be executed as a NOP unless the first word of the instruction retrieves the information embedded in these 16 bits. This ensures that all program memory locations have a valid instruction.

# PIC18F87K90 FAMILY

**TABLE 29-2: PIC18F87K90 FAMILY INSTRUCTION SET (CONTINUED)**

| Mnemonic,<br>Operands          | Description | Cycles                         | 16-Bit Instruction Word |      |      |      | Status<br>Affected | Notes                             |      |
|--------------------------------|-------------|--------------------------------|-------------------------|------|------|------|--------------------|-----------------------------------|------|
|                                |             |                                | MSb                     |      |      | LSb  |                    |                                   |      |
| <b>BIT-ORIENTED OPERATIONS</b> |             |                                |                         |      |      |      |                    |                                   |      |
| BCF                            | f, b, a     | Bit Clear f                    | 1                       | 1001 | bbba | ffff | ffff               | None                              | 1, 2 |
| BSF                            | f, b, a     | Bit Set f                      | 1                       | 1000 | bbba | ffff | ffff               | None                              | 1, 2 |
| BTFSC                          | f, b, a     | Bit Test f, Skip if Clear      | 1 (2 or 3)              | 1011 | bbba | ffff | ffff               | None                              | 3, 4 |
| BTFSS                          | f, b, a     | Bit Test f, Skip if Set        | 1 (2 or 3)              | 1010 | bbba | ffff | ffff               | None                              | 3, 4 |
| BTG                            | f, b, a     | Bit Toggle f                   | 1                       | 0111 | bbba | ffff | ffff               | None                              | 1, 2 |
| <b>CONTROL OPERATIONS</b>      |             |                                |                         |      |      |      |                    |                                   |      |
| BC                             | n           | Branch if Carry                | 1 (2)                   | 1110 | 0010 | nnnn | nnnn               | None                              |      |
| BN                             | n           | Branch if Negative             | 1 (2)                   | 1110 | 0110 | nnnn | nnnn               | None                              |      |
| BNC                            | n           | Branch if Not Carry            | 1 (2)                   | 1110 | 0011 | nnnn | nnnn               | None                              |      |
| BNN                            | n           | Branch if Not Negative         | 1 (2)                   | 1110 | 0111 | nnnn | nnnn               | None                              |      |
| BNOV                           | n           | Branch if Not Overflow         | 1 (2)                   | 1110 | 0101 | nnnn | nnnn               | None                              |      |
| BNZ                            | n           | Branch if Not Zero             | 1 (2)                   | 1110 | 0001 | nnnn | nnnn               | None                              |      |
| BOV                            | n           | Branch if Overflow             | 1 (2)                   | 1110 | 0100 | nnnn | nnnn               | None                              |      |
| BRA                            | n           | Branch Unconditionally         | 2                       | 1101 | 0nnn | nnnn | nnnn               | None                              |      |
| BZ                             | n           | Branch if Zero                 | 1 (2)                   | 1110 | 0000 | nnnn | nnnn               | None                              |      |
| CALL                           | n, s        | Call Subroutine                | 2                       | 1110 | 110s | kkkk | kkkk               | None                              |      |
|                                |             | 1st word                       |                         |      |      |      |                    |                                   |      |
|                                |             | 2nd word                       |                         | 1111 | kkkk | kkkk | kkkk               |                                   |      |
| CLRWDT                         | —           | Clear Watchdog Timer           | 1                       | 0000 | 0000 | 0000 | 0100               | $\overline{TO}$ , $\overline{PD}$ |      |
| DAW                            | —           | Decimal Adjust WREG            | 1                       | 0000 | 0000 | 0000 | 0111               | C                                 |      |
| GOTO                           | n           | Go to Address                  | 2                       | 1110 | 1111 | kkkk | kkkk               | None                              |      |
|                                |             | 1st word                       |                         |      |      |      |                    |                                   |      |
|                                |             | 2nd word                       |                         | 1111 | kkkk | kkkk | kkkk               |                                   |      |
| NOP                            | —           | No Operation                   | 1                       | 0000 | 0000 | 0000 | 0000               | None                              |      |
| NOP                            | —           | No Operation                   | 1                       | 1111 | xxxx | xxxx | xxxx               | None                              | 4    |
| POP                            | —           | Pop Top of Return Stack (TOS)  | 1                       | 0000 | 0000 | 0000 | 0110               | None                              |      |
| PUSH                           | —           | Push Top of Return Stack (TOS) | 1                       | 0000 | 0000 | 0000 | 0101               | None                              |      |
| RCALL                          | n           | Relative Call                  | 2                       | 1101 | 1nnn | nnnn | nnnn               | None                              |      |
| RESET                          | —           | Software Device Reset          | 1                       | 0000 | 0000 | 1111 | 1111               | All                               |      |
| RETFIE                         | s           | Return from Interrupt Enable   | 2                       | 0000 | 0000 | 0001 | 000s               | GIE/GIEH,<br>PEIE/GIEL            |      |
| RETLW                          | k           | Return with Literal in WREG    | 2                       | 0000 | 1100 | kkkk | kkkk               | None                              |      |
| RETURN                         | s           | Return from Subroutine         | 2                       | 0000 | 0000 | 0001 | 001s               | None                              |      |
| SLEEP                          | —           | Go into Standby mode           | 1                       | 0000 | 0000 | 0000 | 0011               | $\overline{TO}$ , $\overline{PD}$ |      |

**Note 1:** When a PORT register is modified as a function of itself (e.g., `MOVF PORTB, 1, 0`), the value used will be that value present on the pins themselves. For example, if the data latch is '1' for a pin configured as input and is driven low by an external device, the data will be written back with a '0'.

- 2:** If this instruction is executed on the TMR0 register (and, where applicable,  $d = 1$ ), the prescaler will be cleared if assigned.
- 3:** If the Program Counter (PC) is modified or a conditional test is true, the instruction requires two cycles. The second cycle is executed as a `NOP`.
- 4:** Some instructions are two-word instructions. The second word of these instructions will be executed as a `NOP` unless the first word of the instruction retrieves the information embedded in these 16 bits. This ensures that all program memory locations have a valid instruction.

# PIC18F87K90 FAMILY

**TABLE 29-2: PIC18F87K90 FAMILY INSTRUCTION SET (CONTINUED)**

| Mnemonic,<br>Operands                          | Description | Cycles   | 16-Bit Instruction Word |      |      |      | Status<br>Affected | Notes           |  |
|--|-------------|--|-------------------------|------|------|------|--------------------|-----------------|--|
|  |             |  | MSb                     |      |      | LSb  |                    |                 |  |
| <b>LITERAL OPERATIONS</b>                      |             |  |                         |      |      |      |                    |                 |  |
| ADDLW  | k           | Add Literal and WREG                                 | 1                       | 0000 | 1111 | kkkk | kkkk               | C, DC, Z, OV, N |  |
| ANDLW  | k           | AND Literal with WREG                                | 1                       | 0000 | 1011 | kkkk | kkkk               | Z, N            |  |
| IORLW  | k           | Inclusive OR Literal with WREG                       | 1                       | 0000 | 1001 | kkkk | kkkk               | Z, N            |  |
| LFSR   | f, k        | Move literal (12-bit) 2nd word<br>to FSR(f) 1st word | 2                       | 1110 | 1110 | 00ff | kkkk               | None            |  |
| MOVLB  | k           | Move Literal to BSR<3:0>                             | 1                       | 0000 | 0001 | 0000 | kkkk               | None            |  |
| MOVLW  | k           | Move Literal to WREG                                 | 1                       | 0000 | 1110 | kkkk | kkkk               | None            |  |
| MULLW  | k           | Multiply Literal with WREG                           | 1                       | 0000 | 1101 | kkkk | kkkk               | None            |  |
| RETLW  | k           | Return with Literal in WREG                          | 2                       | 0000 | 1100 | kkkk | kkkk               | None            |  |
| SUBLW  | k           | Subtract WREG from Literal                           | 1                       | 0000 | 1000 | kkkk | kkkk               | C, DC, Z, OV, N |  |
| XORLW  | k           | Exclusive OR Literal with WREG                       | 1                       | 0000 | 1010 | kkkk | kkkk               | Z, N            |  |
| <b>DATA MEMORY ↔ PROGRAM MEMORY OPERATIONS</b> |             |  |                         |      |      |      |                    |                 |  |
| TBLRD*   |             | Table Read   | 2                       | 0000 | 0000 | 0000 | 1000               | None            |  |
| TBLRD*+  |             | Table Read with Post-Increment                       |                         | 0000 | 0000 | 0000 | 1001               | None            |  |
| TBLRD*-  |             | Table Read with Post-Decrement                       |                         | 0000 | 0000 | 0000 | 1010               | None            |  |
| TBLRD+*  |             | Table Read with Pre-Increment                        |                         | 0000 | 0000 | 0000 | 1011               | None            |  |
| TBLWT*   |             | Table Write  | 2                       | 0000 | 0000 | 0000 | 1100               | None            |  |
| TBLWT*+  |             | Table Write with Post-Increment                      |                         | 0000 | 0000 | 0000 | 1101               | None            |  |
| TBLWT*-  |             | Table Write with Post-Decrement                      |                         | 0000 | 0000 | 0000 | 1110               | None            |  |
| TBLWT+*  |             | Table Write with Pre-Increment                       |                         | 0000 | 0000 | 0000 | 1111               | None            |  |

- Note 1:** When a PORT register is modified as a function of itself (e.g., `MOVWF PORTB, 1, 0`), the value used will be that value present on the pins themselves. For example, if the data latch is '1' for a pin configured as input and is driven low by an external device, the data will be written back with a '0'.
- If this instruction is executed on the TMR0 register (and, where applicable,  $d = 1$ ), the prescaler will be cleared if assigned.
  - If the Program Counter (PC) is modified or a conditional test is true, the instruction requires two cycles. The second cycle is executed as a NOP.
  - Some instructions are two-word instructions. The second word of these instructions will be executed as a NOP unless the first word of the instruction retrieves the information embedded in these 16 bits. This ensures that all program memory locations have a valid instruction.



# PIC18F87K90 FAMILY

## 29.1.1 STANDARD INSTRUCTION SET

| ADDLW             | ADD Literal to W  |              |            |      |      |        |                  |              |            |
|-------------------|---|--------------|------------|------|------|--------|------------------|--------------|------------|
| Syntax:           | ADDLW k   |              |            |      |      |        |                  |              |            |
| Operands:         | $0 \leq k \leq 255$   |              |            |      |      |        |                  |              |            |
| Operation:        | $(W) + k \rightarrow W$   |              |            |      |      |        |                  |              |            |
| Status Affected:  | N, OV, C, DC, Z   |              |            |      |      |        |                  |              |            |
| Encoding:         | <table border="1"> <tr> <td>0000</td> <td>1111</td> <td>kkkk</td> <td>kkkk</td> </tr> </table>  | 0000         | 1111       | kkkk | kkkk |        |                  |              |            |
| 0000              | 1111  | kkkk         | kkkk       |      |      |        |                  |              |            |
| Description:      | The contents of W are added to the 8-bit literal 'k' and the result is placed in W.   |              |            |      |      |        |                  |              |            |
| Words:            | 1   |              |            |      |      |        |                  |              |            |
| Cycles:           | 1   |              |            |      |      |        |                  |              |            |
| Q Cycle Activity: | <table border="1"> <thead> <tr> <th>Q1</th> <th>Q2</th> <th>Q3</th> <th>Q4</th> </tr> </thead> <tbody> <tr> <td>Decode</td> <td>Read literal 'k'</td> <td>Process Data</td> <td>Write to W</td> </tr> </tbody> </table> | Q1           | Q2         | Q3   | Q4   | Decode | Read literal 'k' | Process Data | Write to W |
| Q1                | Q2  | Q3           | Q4         |      |      |        |                  |              |            |
| Decode            | Read literal 'k'  | Process Data | Write to W |      |      |        |                  |              |            |

**Example:**           ADDLW 15h

Before Instruction  
W = 10h  
After Instruction  
W = 25h

| ADDWF             | ADD W to f  |              |                      |      |      |        |                   |              |                      |
|-------------------|---|--------------|----------------------|------|------|--------|-------------------|--------------|----------------------|
| Syntax:           | ADDWF f {,d {,a}}   |              |                      |      |      |        |                   |              |                      |
| Operands:         | $0 \leq f \leq 255$<br>$d \in [0, 1]$<br>$a \in [0, 1]$   |              |                      |      |      |        |                   |              |                      |
| Operation:        | $(W) + (f) \rightarrow \text{dest}$   |              |                      |      |      |        |                   |              |                      |
| Status Affected:  | N, OV, C, DC, Z   |              |                      |      |      |        |                   |              |                      |
| Encoding:         | <table border="1"> <tr> <td>0010</td> <td>01da</td> <td>ffff</td> <td>ffff</td> </tr> </table>  | 0010         | 01da                 | ffff | ffff |        |                   |              |                      |
| 0010              | 01da  | ffff         | ffff                 |      |      |        |                   |              |                      |
| Description:      | Add W to register 'f'. If 'd' is '0', the result is stored in W. If 'd' is '1', the result is stored back in register 'f'.<br><br>If 'a' is '0', the Access Bank is selected. If 'a' is '1', the BSR is used to select the GPR bank.<br><br>If 'a' is '0' and the extended instruction set is enabled, this instruction operates in Indexed Literal Offset Addressing mode whenever $f \leq 95$ (5Fh). See <a href="#">Section 29.2.3 "Byte-Oriented and Bit-Oriented Instructions in Indexed Literal Offset Mode"</a> for details. |              |                      |      |      |        |                   |              |                      |
| Words:            | 1   |              |                      |      |      |        |                   |              |                      |
| Cycles:           | 1   |              |                      |      |      |        |                   |              |                      |
| Q Cycle Activity: | <table border="1"> <thead> <tr> <th>Q1</th> <th>Q2</th> <th>Q3</th> <th>Q4</th> </tr> </thead> <tbody> <tr> <td>Decode</td> <td>Read register 'f'</td> <td>Process Data</td> <td>Write to destination</td> </tr> </tbody> </table>  | Q1           | Q2                   | Q3   | Q4   | Decode | Read register 'f' | Process Data | Write to destination |
| Q1                | Q2  | Q3           | Q4                   |      |      |        |                   |              |                      |
| Decode            | Read register 'f'   | Process Data | Write to destination |      |      |        |                   |              |                      |

**Example:**           ADDWF REG, 0, 0

Before Instruction  
W = 17h  
REG = 0C2h  
After Instruction  
W = 0D9h  
REG = 0C2h

**Note:** All PIC18 instructions may take an optional label argument preceding the instruction mnemonic for use in symbolic addressing. If a label is used, the instruction format then becomes: {label} instruction argument(s).

# PIC18F87K90 FAMILY

**ADDWFC**      **ADD W and Carry bit to f**

---

Syntax:            ADDWFC    f {,d {,a}}

Operands:         $0 \leq f \leq 255$   
 $d \in [0, 1]$   
 $a \in [0, 1]$

Operation:        (W) + (f) + (C) → dest

Status Affected: N,OV, C, DC, Z

Encoding:        

|      |      |      |      |
|------|------|------|------|
| 0010 | 00da | ffff | ffff |
|------|------|------|------|

Description:     Add W, the Carry flag and data memory location 'f'. If 'd' is '0', the result is placed in W. If 'd' is '1', the result is placed in data memory location 'f'.  
 If 'a' is '0', the Access Bank is selected. If 'a' is '1', the BSR is used to select the GPR bank.  
 If 'a' is '0' and the extended instruction set is enabled, this instruction operates in Indexed Literal Offset Addressing mode whenever  $f \leq 95$  (5Fh). See [Section 29.2.3 "Byte-Oriented and Bit-Oriented Instructions in Indexed Literal Offset Mode"](#) for details.

Words:            1

Cycles:           1

Q Cycle Activity:

| Q1     | Q2                | Q3           | Q4                   |
|--------|-------------------|--------------|----------------------|
| Decode | Read register 'f' | Process Data | Write to destination |

Example:            ADDWFC    REG, 0, 1

Before Instruction  
 Carry bit = 1  
 REG = 02h  
 W = 4Dh

After Instruction  
 Carry bit = 0  
 REG = 02h  
 W = 50h

**ANDLW**            **AND Literal with W**

---

Syntax:            ANDLW    k

Operands:         $0 \leq k \leq 255$

Operation:        (W) .AND. k → W

Status Affected: N, Z

Encoding:        

|      |      |      |      |
|------|------|------|------|
| 0000 | 1011 | kkkk | kkkk |
|------|------|------|------|

Description:     The contents of W are ANDed with the 8-bit literal 'k'. The result is placed in W.

Words:            1

Cycles:           1

Q Cycle Activity:

| Q1     | Q2               | Q3           | Q4         |
|--------|------------------|--------------|------------|
| Decode | Read literal 'k' | Process Data | Write to W |

Example:            ANDLW    05Fh

Before Instruction  
 W = A3h

After Instruction  
 W = 03h

# PIC18F87K90 FAMILY

**ANDWF**                      **AND W with f**

---

Syntax:                      ANDWF    f {,d {,a}}

Operands:                     $0 \leq f \leq 255$   
 $d \in [0, 1]$   
 $a \in [0, 1]$

Operation:                    (W) .AND. (f) → dest

Status Affected:            N, Z

Encoding:                    

|      |      |      |      |
|------|------|------|------|
| 0001 | 01da | ffff | ffff |
|------|------|------|------|

Description:                 The contents of W are ANDed with register 'f'. If 'd' is '0', the result is stored in W. If 'd' is '1', the result is stored back in register 'f'.  
  
If 'a' is '0', the Access Bank is selected. If 'a' is '1', the BSR is used to select the GPR bank.  
  
If 'a' is '0' and the extended instruction set is enabled, this instruction operates in Indexed Literal Offset Addressing mode whenever  $f \leq 95$  (5Fh). See [Section 29.2.3 "Byte-Oriented and Bit-Oriented Instructions in Indexed Literal Offset Mode"](#) for details.

Words:                        1

Cycles:                        1

Q Cycle Activity:

| Q1     | Q2                | Q3           | Q4                   |
|--------|-------------------|--------------|----------------------|
| Decode | Read register 'f' | Process Data | Write to destination |

**Example:**                    ANDWF    REG, 0, 0

Before Instruction  
W        =    17h  
REG     =    C2h

After Instruction  
W        =    02h  
REG     =    C2h

**BC**                              **Branch if Carry**

---

Syntax:                        BC    n

Operands:                     $-128 \leq n \leq 127$

Operation:                    if Carry bit is '1',  
(PC) + 2 + 2n → PC

Status Affected:            None

Encoding:                    

|      |      |      |      |
|------|------|------|------|
| 1110 | 0010 | nnnn | nnnn |
|------|------|------|------|

Description:                 If the Carry bit is '1', then the program will branch.  
  
The 2's complement number '2n' is added to the PC. Since the PC will have incremented to fetch the next instruction, the new address will be PC + 2 + 2n. This instruction is then a two-cycle instruction.

Words:                        1

Cycles:                        1(2)

Q Cycle Activity:  
If Jump:

| Q1           | Q2               | Q3           | Q4           |
|--------------|------------------|--------------|--------------|
| Decode       | Read literal 'n' | Process Data | Write to PC  |
| No operation | No operation     | No operation | No operation |

If No Jump:

| Q1     | Q2               | Q3           | Q4           |
|--------|------------------|--------------|--------------|
| Decode | Read literal 'n' | Process Data | No operation |

**Example:**                    HERE        BC    5

Before Instruction  
PC        =    address (HERE)

After Instruction  
If Carry    =    1;  
PC        =    address (HERE + 12)  
If Carry    =    0;  
PC        =    address (HERE + 2)

# PIC18F87K90 FAMILY

|                   |  |              |                    |      |      |        |                   |              |                    |
|-------------------|--|--------------|--------------------|------|------|--------|-------------------|--------------|--------------------|
| <b>BCF</b>        | <b>Bit Clear f</b>   |              |                    |      |      |        |                   |              |                    |
| Syntax:           | BCF f, b {,a}  |              |                    |      |      |        |                   |              |                    |
| Operands:         | $0 \leq f \leq 255$<br>$0 \leq b \leq 7$<br>$a \in [0, 1]$   |              |                    |      |      |        |                   |              |                    |
| Operation:        | $0 \rightarrow f < b >$  |              |                    |      |      |        |                   |              |                    |
| Status Affected:  | None   |              |                    |      |      |        |                   |              |                    |
| Encoding:         | <table border="1" style="display: inline-table; border-collapse: collapse;"> <tr> <td style="padding: 2px;">1001</td> <td style="padding: 2px;">bbba</td> <td style="padding: 2px;">ffff</td> <td style="padding: 2px;">ffff</td> </tr> </table>   | 1001         | bbba               | ffff | ffff |        |                   |              |                    |
| 1001              | bbba   | ffff         | ffff               |      |      |        |                   |              |                    |
| Description:      | <p>Bit 'b' in register 'f' is cleared.</p> <p>If 'a' is '0', the Access Bank is selected.<br/>If 'a' is '1', the BSR is used to select the GPR bank.</p> <p>If 'a' is '0' and the extended instruction set is enabled, this instruction operates in Indexed Literal Offset Addressing mode whenever <math>f \leq 95</math> (5Fh). See <a href="#">Section 29.2.3 "Byte-Oriented and Bit-Oriented Instructions in Indexed Literal Offset Mode"</a> for details.</p> |              |                    |      |      |        |                   |              |                    |
| Words:            | 1  |              |                    |      |      |        |                   |              |                    |
| Cycles:           | 1  |              |                    |      |      |        |                   |              |                    |
| Q Cycle Activity: | <table border="1" style="display: inline-table; border-collapse: collapse; text-align: center;"> <tr> <td style="padding: 2px;">Q1</td> <td style="padding: 2px;">Q2</td> <td style="padding: 2px;">Q3</td> <td style="padding: 2px;">Q4</td> </tr> <tr> <td style="padding: 2px;">Decode</td> <td style="padding: 2px;">Read register 'f'</td> <td style="padding: 2px;">Process Data</td> <td style="padding: 2px;">Write register 'f'</td> </tr> </table>       | Q1           | Q2                 | Q3   | Q4   | Decode | Read register 'f' | Process Data | Write register 'f' |
| Q1                | Q2   | Q3           | Q4                 |      |      |        |                   |              |                    |
| Decode            | Read register 'f'  | Process Data | Write register 'f' |      |      |        |                   |              |                    |

**Example:**            BCF        FLAG\_REG, 7, 0

Before Instruction  
                   FLAG\_REG = C7h  
 After Instruction  
                   FLAG\_REG = 47h

|                   |   |              |              |      |      |        |                  |              |              |              |              |              |              |
|-------------------|---|--------------|--------------|------|------|--------|------------------|--------------|--------------|--------------|--------------|--------------|--------------|
| <b>BN</b>         | <b>Branch if Negative</b>   |              |              |      |      |        |                  |              |              |              |              |              |              |
| Syntax:           | BN n  |              |              |      |      |        |                  |              |              |              |              |              |              |
| Operands:         | $-128 \leq n \leq 127$  |              |              |      |      |        |                  |              |              |              |              |              |              |
| Operation:        | if Negative bit is '1',<br>$(PC) + 2 + 2n \rightarrow PC$   |              |              |      |      |        |                  |              |              |              |              |              |              |
| Status Affected:  | None  |              |              |      |      |        |                  |              |              |              |              |              |              |
| Encoding:         | <table border="1" style="display: inline-table; border-collapse: collapse;"> <tr> <td style="padding: 2px;">1110</td> <td style="padding: 2px;">0110</td> <td style="padding: 2px;">nnnn</td> <td style="padding: 2px;">nnnn</td> </tr> </table>  | 1110         | 0110         | nnnn | nnnn |        |                  |              |              |              |              |              |              |
| 1110              | 0110  | nnnn         | nnnn         |      |      |        |                  |              |              |              |              |              |              |
| Description:      | <p>If the Negative bit is '1', then the program will branch.</p> <p>The 2's complement number '2n' is added to the PC. Since the PC will have incremented to fetch the next instruction, the new address will be <math>PC + 2 + 2n</math>. This instruction is then a two-cycle instruction.</p>  |              |              |      |      |        |                  |              |              |              |              |              |              |
| Words:            | 1   |              |              |      |      |        |                  |              |              |              |              |              |              |
| Cycles:           | 1(2)  |              |              |      |      |        |                  |              |              |              |              |              |              |
| Q Cycle Activity: |   |              |              |      |      |        |                  |              |              |              |              |              |              |
| If Jump:          | <table border="1" style="display: inline-table; border-collapse: collapse; text-align: center;"> <tr> <td style="padding: 2px;">Q1</td> <td style="padding: 2px;">Q2</td> <td style="padding: 2px;">Q3</td> <td style="padding: 2px;">Q4</td> </tr> <tr> <td style="padding: 2px;">Decode</td> <td style="padding: 2px;">Read literal 'n'</td> <td style="padding: 2px;">Process Data</td> <td style="padding: 2px;">Write to PC</td> </tr> <tr> <td style="padding: 2px;">No operation</td> <td style="padding: 2px;">No operation</td> <td style="padding: 2px;">No operation</td> <td style="padding: 2px;">No operation</td> </tr> </table> | Q1           | Q2           | Q3   | Q4   | Decode | Read literal 'n' | Process Data | Write to PC  | No operation | No operation | No operation | No operation |
| Q1                | Q2  | Q3           | Q4           |      |      |        |                  |              |              |              |              |              |              |
| Decode            | Read literal 'n'  | Process Data | Write to PC  |      |      |        |                  |              |              |              |              |              |              |
| No operation      | No operation  | No operation | No operation |      |      |        |                  |              |              |              |              |              |              |
| If No Jump:       | <table border="1" style="display: inline-table; border-collapse: collapse; text-align: center;"> <tr> <td style="padding: 2px;">Q1</td> <td style="padding: 2px;">Q2</td> <td style="padding: 2px;">Q3</td> <td style="padding: 2px;">Q4</td> </tr> <tr> <td style="padding: 2px;">Decode</td> <td style="padding: 2px;">Read literal 'n'</td> <td style="padding: 2px;">Process Data</td> <td style="padding: 2px;">No operation</td> </tr> </table>   | Q1           | Q2           | Q3   | Q4   | Decode | Read literal 'n' | Process Data | No operation |              |              |              |              |
| Q1                | Q2  | Q3           | Q4           |      |      |        |                  |              |              |              |              |              |              |
| Decode            | Read literal 'n'  | Process Data | No operation |      |      |        |                  |              |              |              |              |              |              |

**Example:**                   HERE        BN        Jump

Before Instruction  
                   PC        =        address (HERE)

After Instruction  
                   If Negative        =        1;  
                   PC        =        address (Jump)  
                   If Negative        =        0;  
                   PC        =        address (HERE + 2)

# PIC18F87K90 FAMILY

**BNC**                      **Branch if Not Carry**

---

Syntax:                    BNC n

Operands:                 $-128 \leq n \leq 127$

Operation:                if Carry bit is '0',  
 $(PC) + 2 + 2n \rightarrow PC$

Status Affected:        None

Encoding:                

|      |      |      |      |
|------|------|------|------|
| 1110 | 0011 | nnnn | nnnn |
|------|------|------|------|

Description:              If the Carry bit is '0', then the program will branch.

                              The 2's complement number '2n' is added to the PC. Since the PC will have incremented to fetch the next instruction, the new address will be  $PC + 2 + 2n$ . This instruction is then a two-cycle instruction.

Words:                    1

Cycles:                    1(2)

Q Cycle Activity:  
If Jump:

| Q1              | Q2                  | Q3              | Q4              |
|-----------------|---------------------|-----------------|-----------------|
| Decode          | Read literal<br>'n' | Process<br>Data | Write to<br>PC  |
| No<br>operation | No<br>operation     | No<br>operation | No<br>operation |

If No Jump:

| Q1     | Q2                  | Q3              | Q4              |
|--------|---------------------|-----------------|-----------------|
| Decode | Read literal<br>'n' | Process<br>Data | No<br>operation |

Example:                                       HERE                    BNC    Jump

Before Instruction  
PC = address (HERE)

After Instruction  
If Carry = 0;  
PC = address (Jump)

If Carry = 1;  
PC = address (HERE + 2)

**BNN**                      **Branch if Not Negative**

---

Syntax:                    BNN n

Operands:                 $-128 \leq n \leq 127$

Operation:                if Negative bit is '0',  
 $(PC) + 2 + 2n \rightarrow PC$

Status Affected:        None

Encoding:                

|      |      |      |      |
|------|------|------|------|
| 1110 | 0111 | nnnn | nnnn |
|------|------|------|------|

Description:              If the Negative bit is '0', then the program will branch.

                              The 2's complement number '2n' is added to the PC. Since the PC will have incremented to fetch the next instruction, the new address will be  $PC + 2 + 2n$ . This instruction is then a two-cycle instruction.

Words:                    1

Cycles:                    1(2)

Q Cycle Activity:  
If Jump:

| Q1              | Q2                  | Q3              | Q4              |
|-----------------|---------------------|-----------------|-----------------|
| Decode          | Read literal<br>'n' | Process<br>Data | Write to<br>PC  |
| No<br>operation | No<br>operation     | No<br>operation | No<br>operation |

If No Jump:

| Q1     | Q2                  | Q3              | Q4              |
|--------|---------------------|-----------------|-----------------|
| Decode | Read literal<br>'n' | Process<br>Data | No<br>operation |

Example:                                       HERE                    BNN    Jump

Before Instruction  
PC = address (HERE)

After Instruction  
If Negative = 0;  
PC = address (Jump)

If Negative = 1;  
PC = address (HERE + 2)

# PIC18F87K90 FAMILY

## BNOV Branch if Not Overflow

Syntax: BNOV n

Operands:  $-128 \leq n \leq 127$

Operation: if Overflow bit is '0',  
(PC) + 2 + 2n → PC

Status Affected: None

Encoding: 

|      |      |      |      |
|------|------|------|------|
| 1110 | 0101 | nnnn | nnnn |
|------|------|------|------|

Description: If the Overflow bit is '0', then the program will branch.  
  
The 2's complement number '2n' is added to the PC. Since the PC will have incremented to fetch the next instruction, the new address will be PC + 2 + 2n. This instruction is then a two-cycle instruction.

Words: 1

Cycles: 1(2)

Q Cycle Activity:  
If Jump:

| Q1           | Q2               | Q3           | Q4           |
|--------------|------------------|--------------|--------------|
| Decode       | Read literal 'n' | Process Data | Write to PC  |
| No operation | No operation     | No operation | No operation |

If No Jump:

| Q1     | Q2               | Q3           | Q4           |
|--------|------------------|--------------|--------------|
| Decode | Read literal 'n' | Process Data | No operation |

**Example:**            HERE        BNOV Jump

Before Instruction  
PC = address (HERE)

After Instruction  
If Overflow = 0;  
PC = address (Jump)  
If Overflow = 1;  
PC = address (HERE + 2)

## BNZ Branch if Not Zero

Syntax: BNZ n

Operands:  $-128 \leq n \leq 127$

Operation: if Zero bit is '0',  
(PC) + 2 + 2n → PC

Status Affected: None

Encoding: 

|      |      |      |      |
|------|------|------|------|
| 1110 | 0001 | nnnn | nnnn |
|------|------|------|------|

Description: If the Zero bit is '0', then the program will branch.  
  
The 2's complement number '2n' is added to the PC. Since the PC will have incremented to fetch the next instruction, the new address will be PC + 2 + 2n. This instruction is then a two-cycle instruction.

Words: 1

Cycles: 1(2)

Q Cycle Activity:  
If Jump:

| Q1           | Q2               | Q3           | Q4           |
|--------------|------------------|--------------|--------------|
| Decode       | Read literal 'n' | Process Data | Write to PC  |
| No operation | No operation     | No operation | No operation |

If No Jump:

| Q1     | Q2               | Q3           | Q4           |
|--------|------------------|--------------|--------------|
| Decode | Read literal 'n' | Process Data | No operation |

**Example:**            HERE        BNZ Jump

Before Instruction  
PC = address (HERE)

After Instruction  
If Zero = 0;  
PC = address (Jump)  
If Zero = 1;  
PC = address (HERE + 2)

# PIC18F87K90 FAMILY

**BRA**                      **Unconditional Branch**

---

Syntax:                    BRA n

Operands:                 $-1024 \leq n \leq 1023$

Operation:                 $(PC) + 2 + 2n \rightarrow PC$

Status Affected:        None

Encoding:                

|      |      |      |      |
|------|------|------|------|
| 1101 | 0nnn | nnnn | nnnn |
|------|------|------|------|

Description:             Add the 2's complement number '2n' to the PC. Since the PC will have incremented to fetch the next instruction, the new address will be  $PC + 2 + 2n$ . This instruction is a two-cycle instruction.

Words:                    1

Cycles:                    2

Q Cycle Activity:

| Q1           | Q2               | Q3           | Q4           |
|--------------|------------------|--------------|--------------|
| Decode       | Read literal 'n' | Process Data | Write to PC  |
| No operation | No operation     | No operation | No operation |

**Example:**                                       HERE                    BRA    Jump

Before Instruction  
PC = address (HERE)

After Instruction  
PC = address (Jump)

**BSF**                      **Bit Set f**

---

Syntax:                    BSF f, b {,a}

Operands:                 $0 \leq f \leq 255$   
 $0 \leq b \leq 7$   
 $a \in [0, 1]$

Operation:                 $1 \rightarrow f < b$

Status Affected:        None

Encoding:                

|      |      |      |      |
|------|------|------|------|
| 1000 | bbba | ffff | ffff |
|------|------|------|------|

Description:             Bit 'b' in register 'f' is set.

If 'a' is '0', the Access Bank is selected. If 'a' is '1', the BSR is used to select the GPR bank.

If 'a' is '0' and the extended instruction set is enabled, this instruction operates in Indexed Literal Offset Addressing mode whenever  $f \leq 95$  (5Fh). See [Section 29.2.3 "Byte-Oriented and Bit-Oriented Instructions in Indexed Literal Offset Mode"](#) for details.

Words:                    1

Cycles:                    1

Q Cycle Activity:

| Q1     | Q2                | Q3           | Q4                 |
|--------|-------------------|--------------|--------------------|
| Decode | Read register 'f' | Process Data | Write register 'f' |

**Example:**                                       BSF                    FLAG\_REG, 7, 1

Before Instruction  
FLAG\_REG = 0Ah

After Instruction  
FLAG\_REG = 8Ah

# PIC18F87K90 FAMILY

**BTFSC**                      **Bit Test File, Skip if Clear**

---

Syntax:                      BTFSC f, b {,a}

Operands:                     $0 \leq f \leq 255$   
 $0 \leq b \leq 7$   
 $a \in [0, 1]$

Operation:                    skip if (f<b>) = 0

Status Affected:            None

Encoding:                    

|      |      |      |      |
|------|------|------|------|
| 1011 | bbba | ffff | ffff |
|------|------|------|------|

Description:                If bit 'b' in register 'f' is '0', then the next instruction is skipped. If bit 'b' is '0', then the next instruction fetched during the current instruction execution is discarded and a NOP is executed instead, making this a two-cycle instruction.

                                  If 'a' is '0', the Access Bank is selected. If 'a' is '1', the BSR is used to select the GPR bank.

                                  If 'a' is '0' and the extended instruction set is enabled, this instruction operates in Indexed Literal Offset Addressing mode whenever  $f \leq 95$  (5Fh). See [Section 29.2.3 "Byte-Oriented and Bit-Oriented Instructions in Indexed Literal Offset Mode"](#) for details.

Words:                        1

Cycles:                        1(2)  
**Note:** 3 cycles if skip and followed by a 2-word instruction.

Q Cycle Activity:

| Q1     | Q2                | Q3           | Q4           |
|--------|-------------------|--------------|--------------|
| Decode | Read register 'f' | Process Data | No operation |

If skip:

| Q1           | Q2           | Q3           | Q4           |
|--------------|--------------|--------------|--------------|
| No operation | No operation | No operation | No operation |

If skip and followed by 2-word instruction:

| Q1           | Q2           | Q3           | Q4           |
|--------------|--------------|--------------|--------------|
| No operation | No operation | No operation | No operation |
| No operation | No operation | No operation | No operation |

**Example:**

```

HERE    BTFSC    FLAG, 1, 0
FALSE   :
TRUE    :
```

```

Before Instruction
PC       =    address (HERE)
After Instruction
If FLAG<1> = 0;
PC       =    address (TRUE)
If FLAG<1> = 1;
PC       =    address (FALSE)
```

**BTFSS**                      **Bit Test File, Skip if Set**

---

Syntax:                      BTFSS f, b {,a}

Operands:                     $0 \leq f \leq 255$   
 $0 \leq b < 7$   
 $a \in [0, 1]$

Operation:                    skip if (f<b>) = 1

Status Affected:            None

Encoding:                    

|      |      |      |      |
|------|------|------|------|
| 1010 | bbba | ffff | ffff |
|------|------|------|------|

Description:                If bit 'b' in register 'f' is '1', then the next instruction is skipped. If bit 'b' is '1', then the next instruction fetched during the current instruction execution is discarded and a NOP is executed instead, making this a two-cycle instruction.

                                  If 'a' is '0', the Access Bank is selected. If 'a' is '1', the BSR is used to select the GPR bank.

                                  If 'a' is '0' and the extended instruction set is enabled, this instruction operates in Indexed Literal Offset Addressing mode whenever  $f \leq 95$  (5Fh). See [Section 29.2.3 "Byte-Oriented and Bit-Oriented Instructions in Indexed Literal Offset Mode"](#) for details.

Words:                        1

Cycles:                        1(2)  
**Note:** 3 cycles if skip and followed by a 2-word instruction.

Q Cycle Activity:

| Q1     | Q2                | Q3           | Q4           |
|--------|-------------------|--------------|--------------|
| Decode | Read register 'f' | Process Data | No operation |

If skip:

| Q1           | Q2           | Q3           | Q4           |
|--------------|--------------|--------------|--------------|
| No operation | No operation | No operation | No operation |

If skip and followed by 2-word instruction:

| Q1           | Q2           | Q3           | Q4           |
|--------------|--------------|--------------|--------------|
| No operation | No operation | No operation | No operation |
| No operation | No operation | No operation | No operation |

**Example:**

```

HERE    BTFSS    FLAG, 1, 0
FALSE   :
TRUE    :
```

```

Before Instruction
PC       =    address (HERE)
After Instruction
If FLAG<1> = 0;
PC       =    address (FALSE)
If FLAG<1> = 1;
PC       =    address (TRUE)
```



# PIC18F87K90 FAMILY

| BTG               | Bit Toggle f   |              |                    |      |      |        |                   |              |                    |
|-------------------|--|--------------|--------------------|------|------|--------|-------------------|--------------|--------------------|
| Syntax:           | BTG f, b {,a}  |              |                    |      |      |        |                   |              |                    |
| Operands:         | $0 \leq f \leq 255$<br>$0 \leq b < 7$<br>$a \in [0, 1]$  |              |                    |      |      |        |                   |              |                    |
| Operation:        | $\overline{(f < b)} \rightarrow f < b$   |              |                    |      |      |        |                   |              |                    |
| Status Affected:  | None   |              |                    |      |      |        |                   |              |                    |
| Encoding:         | <table border="1"> <tr> <td>0111</td> <td>bbba</td> <td>ffff</td> <td>ffff</td> </tr> </table>   | 0111         | bbba               | ffff | ffff |        |                   |              |                    |
| 0111              | bbba   | ffff         | ffff               |      |      |        |                   |              |                    |
| Description:      | Bit 'b' in data memory location, 'f', is inverted.<br><br>If 'a' is '0', the Access Bank is selected.<br>If 'a' is '1', the BSR is used to select the GPR bank.<br><br>If 'a' is '0' and the extended instruction set is enabled, this instruction operates in Indexed Literal Offset Addressing mode whenever $f \leq 95$ (5Fh). See <a href="#">Section 29.2.3 "Byte-Oriented and Bit-Oriented Instructions in Indexed Literal Offset Mode"</a> for details. |              |                    |      |      |        |                   |              |                    |
| Words:            | 1  |              |                    |      |      |        |                   |              |                    |
| Cycles:           | 1  |              |                    |      |      |        |                   |              |                    |
| Q Cycle Activity: | <table border="1"> <thead> <tr> <th>Q1</th> <th>Q2</th> <th>Q3</th> <th>Q4</th> </tr> </thead> <tbody> <tr> <td>Decode</td> <td>Read register 'f'</td> <td>Process Data</td> <td>Write register 'f'</td> </tr> </tbody> </table>   | Q1           | Q2                 | Q3   | Q4   | Decode | Read register 'f' | Process Data | Write register 'f' |
| Q1                | Q2   | Q3           | Q4                 |      |      |        |                   |              |                    |
| Decode            | Read register 'f'  | Process Data | Write register 'f' |      |      |        |                   |              |                    |

**Example:** BTG PORTC, 4, 0

Before Instruction:  
 PORTC = 0111 0101 [75h]  
 After Instruction:  
 PORTC = 0110 0101 [65h]

| BOV               | Branch if Overflow  |              |              |      |      |        |                  |              |              |              |              |              |              |
|-------------------|---|--------------|--------------|------|------|--------|------------------|--------------|--------------|--------------|--------------|--------------|--------------|
| Syntax:           | BOV n   |              |              |      |      |        |                  |              |              |              |              |              |              |
| Operands:         | $-128 \leq n \leq 127$  |              |              |      |      |        |                  |              |              |              |              |              |              |
| Operation:        | if Overflow bit is '1',<br>$(PC) + 2 + 2n \rightarrow PC$   |              |              |      |      |        |                  |              |              |              |              |              |              |
| Status Affected:  | None  |              |              |      |      |        |                  |              |              |              |              |              |              |
| Encoding:         | <table border="1"> <tr> <td>1110</td> <td>0100</td> <td>nnnn</td> <td>nnnn</td> </tr> </table>  | 1110         | 0100         | nnnn | nnnn |        |                  |              |              |              |              |              |              |
| 1110              | 0100  | nnnn         | nnnn         |      |      |        |                  |              |              |              |              |              |              |
| Description:      | If the Overflow bit is '1', then the program will branch.<br><br>The 2's complement number '2n' is added to the PC. Since the PC will have incremented to fetch the next instruction, the new address will be $PC + 2 + 2n$ . This instruction is then a two-cycle instruction.   |              |              |      |      |        |                  |              |              |              |              |              |              |
| Words:            | 1   |              |              |      |      |        |                  |              |              |              |              |              |              |
| Cycles:           | 1(2)  |              |              |      |      |        |                  |              |              |              |              |              |              |
| Q Cycle Activity: | If Jump:  |              |              |      |      |        |                  |              |              |              |              |              |              |
|                   | <table border="1"> <thead> <tr> <th>Q1</th> <th>Q2</th> <th>Q3</th> <th>Q4</th> </tr> </thead> <tbody> <tr> <td>Decode</td> <td>Read literal 'n'</td> <td>Process Data</td> <td>Write to PC</td> </tr> <tr> <td>No operation</td> <td>No operation</td> <td>No operation</td> <td>No operation</td> </tr> </tbody> </table> | Q1           | Q2           | Q3   | Q4   | Decode | Read literal 'n' | Process Data | Write to PC  | No operation | No operation | No operation | No operation |
| Q1                | Q2  | Q3           | Q4           |      |      |        |                  |              |              |              |              |              |              |
| Decode            | Read literal 'n'  | Process Data | Write to PC  |      |      |        |                  |              |              |              |              |              |              |
| No operation      | No operation  | No operation | No operation |      |      |        |                  |              |              |              |              |              |              |
|                   | If No Jump:   |              |              |      |      |        |                  |              |              |              |              |              |              |
|                   | <table border="1"> <thead> <tr> <th>Q1</th> <th>Q2</th> <th>Q3</th> <th>Q4</th> </tr> </thead> <tbody> <tr> <td>Decode</td> <td>Read literal 'n'</td> <td>Process Data</td> <td>No operation</td> </tr> </tbody> </table>   | Q1           | Q2           | Q3   | Q4   | Decode | Read literal 'n' | Process Data | No operation |              |              |              |              |
| Q1                | Q2  | Q3           | Q4           |      |      |        |                  |              |              |              |              |              |              |
| Decode            | Read literal 'n'  | Process Data | No operation |      |      |        |                  |              |              |              |              |              |              |

**Example:** HERE BOV Jump

Before Instruction  
 PC = address (HERE)  
 After Instruction  
 If Overflow = 1;  
 PC = address (Jump)  
 If Overflow = 0;  
 PC = address (HERE + 2)

# PIC18F87K90 FAMILY

## BZ Branch if Zero

**Syntax:** BZ n

**Operands:**  $-128 \leq n \leq 127$

**Operation:** if Zero bit is '1',  
(PC) + 2 + 2n → PC

**Status Affected:** None

**Encoding:**

|      |      |      |      |
|------|------|------|------|
| 1110 | 0000 | nnnn | nnnn |
|------|------|------|------|

**Description:** If the Zero bit is '1', then the program will branch.  
  
The 2's complement number '2n' is added to the PC. Since the PC will have incremented to fetch the next instruction, the new address will be PC + 2 + 2n. This instruction is then a two-cycle instruction.

**Words:** 1

**Cycles:** 1(2)

**Q Cycle Activity:**  
If Jump:

| Q1           | Q2               | Q3           | Q4           |
|--------------|------------------|--------------|--------------|
| Decode       | Read literal 'n' | Process Data | Write to PC  |
| No operation | No operation     | No operation | No operation |

If No Jump:

| Q1     | Q2               | Q3           | Q4           |
|--------|------------------|--------------|--------------|
| Decode | Read literal 'n' | Process Data | No operation |

**Example:**                   HERE                   BZ   Jump

Before Instruction  
PC = address (HERE)

After Instruction  
If Zero = 1;  
PC = address (Jump)  
If Zero = 0;  
PC = address (HERE + 2)

## CALL Subroutine Call

**Syntax:** CALL k {,s}

**Operands:**  $0 \leq k \leq 1048575$   
 $s \in [0, 1]$

**Operation:** (PC) + 4 → TOS,  
k → PC<20:1>;  
if s = 1,  
(W) → WS,  
(STATUS) → STATUSS,  
(BSR) → BSRS

**Status Affected:** None

**Encoding:**

|      |                     |                    |                   |
|------|---------------------|--------------------|-------------------|
| 1110 | 110s                | k <sub>7</sub> kkk | kkkk <sub>0</sub> |
| 1111 | k <sub>19</sub> kkk | kkkk               | kkkk <sub>8</sub> |

**Description:** Subroutine call of entire 2-Mbyte memory range. First, return address (PC+ 4) is pushed onto the return stack. If 's' = 1, the W, STATUS and BSR registers are also pushed into their respective shadow registers, WS, STATUSS and BSRS. If 's' = 0, no update occurs. Then, the 20-bit value 'k' is loaded into PC<20:1>. CALL is a two-cycle instruction.

**Words:** 2

**Cycles:** 2

**Q Cycle Activity:**

| Q1           | Q2   | Q3               | Q4                                     |
|--------------|--|------------------|--|
| Decode       | Read literal 'k'<7:0>,<br>Push PC to stack | Push PC to stack | Read literal 'k'<19:8>,<br>Write to PC |
| No operation | No operation                               | No operation     | No operation                           |

**Example:**                   HERE                   CALL   THERE, 1

Before Instruction  
PC = address (HERE)

After Instruction  
PC = address (THERE)  
TOS = address (HERE + 4)  
WS = W  
BSRS = BSR  
STATUSS = STATUS

# PIC18F87K90 FAMILY

**CLRF**                      **Clear f**

---

Syntax:                      CLRF f{,a}

Operands:                     $0 \leq f \leq 255$   
 $a \in [0, 1]$

Operation:                     $000h \rightarrow f$ ,  
 $1 \rightarrow Z$

Status Affected:            Z

Encoding:                    

|      |      |      |      |
|------|------|------|------|
| 0110 | 101a | ffff | ffff |
|------|------|------|------|

Description:                Clears the contents of the specified register.

                                  If 'a' is '0', the Access Bank is selected.  
                                  If 'a' is '1', the BSR is used to select the GPR bank.

                                  If 'a' is '0' and the extended instruction set is enabled, this instruction operates in Indexed Literal Offset Addressing mode whenever  $f \leq 95$  (5Fh). See [Section 29.2.3 "Byte-Oriented and Bit-Oriented Instructions in Indexed Literal Offset Mode"](#) for details.

Words:                        1

Cycles:                        1

Q Cycle Activity:

| Q1     | Q2                | Q3           | Q4                 |
|--------|-------------------|--------------|--------------------|
| Decode | Read register 'f' | Process Data | Write register 'f' |

Example:                    CLRF                      FLAG\_REG, 1

Before Instruction  
FLAG\_REG = 5Ah

After Instruction  
FLAG\_REG = 00h

**CLRWDT**                    **Clear Watchdog Timer**

---

Syntax:                       CLRWDT

Operands:                    None

Operation:                     $000h \rightarrow$  WDT,  
 $000h \rightarrow$  WDT postscaler,  
 $1 \rightarrow \overline{TO}$ ,  
 $1 \rightarrow \overline{PD}$

Status Affected:             $\overline{TO}$ ,  $\overline{PD}$

Encoding:                    

|      |      |      |      |
|------|------|------|------|
| 0000 | 0000 | 0000 | 0100 |
|------|------|------|------|

Description:                CLRWDT instruction resets the Watchdog Timer. It also resets the postscaler of the WDT. Status bits,  $\overline{TO}$  and  $\overline{PD}$ , are set.

Words:                        1

Cycles:                        1

Q Cycle Activity:

| Q1     | Q2           | Q3           | Q4           |
|--------|--------------|--------------|--------------|
| Decode | No operation | Process Data | No operation |

Example:                    CLRWDT

Before Instruction  
WDT Counter = ?

After Instruction  
WDT Counter = 00h  
WDT Postscaler = 0  
 $\overline{TO}$  = 1  
 $\overline{PD}$  = 1

# PIC18F87K90 FAMILY

## COMF Complement f

**Syntax:** COMF f{,d{,a}}

**Operands:**  $0 \leq f \leq 255$   
 $d \in [0, 1]$   
 $a \in [0, 1]$

**Operation:**  $\bar{f} \rightarrow \text{dest}$

**Status Affected:** N, Z

**Encoding:**

|      |      |      |      |
|------|------|------|------|
| 0001 | 11da | ffff | ffff |
|------|------|------|------|

**Description:** The contents of register 'f' are complemented. If 'd' is '0', the result is stored in W. If 'd' is '1', the result is stored back in register 'f'.  
 If 'a' is '0', the Access Bank is selected. If 'a' is '1', the BSR is used to select the GPR bank.  
 If 'a' is '0' and the extended instruction set is enabled, this instruction operates in Indexed Literal Offset Addressing mode whenever  $f \leq 95$  (5Fh). See [Section 29.2.3 "Byte-Oriented and Bit-Oriented Instructions in Indexed Literal Offset Mode"](#) for details.

**Words:** 1

**Cycles:** 1

**Q Cycle Activity:**

| Q1     | Q2                | Q3           | Q4                   |
|--------|-------------------|--------------|----------------------|
| Decode | Read register 'f' | Process Data | Write to destination |

**Example:** COMF REG, 0, 0

Before Instruction  
 REG = 13h

After Instruction  
 REG = 13h  
 W = ECh

## CPFSEQ Compare f with W, Skip if f = W

**Syntax:** CPFSEQ f{,a}

**Operands:**  $0 \leq f \leq 255$   
 $a \in [0, 1]$

**Operation:**  $(f) - (W)$ ,  
 skip if  $(f) = (W)$   
 (unsigned comparison)

**Status Affected:** None

**Encoding:**

|      |      |      |      |
|------|------|------|------|
| 0110 | 001a | ffff | ffff |
|------|------|------|------|

**Description:** Compares the contents of data memory location 'f' to the contents of W by performing an unsigned subtraction.  
 If 'f' = W, then the fetched instruction is discarded and a NOP is executed instead, making this a two-cycle instruction.  
 If 'a' is '0', the Access Bank is selected. If 'a' is '1', the BSR is used to select the GPR bank.  
 If 'a' is '0' and the extended instruction set is enabled, this instruction operates in Indexed Literal Offset Addressing mode whenever  $f \leq 95$  (5Fh). See [Section 29.2.3 "Byte-Oriented and Bit-Oriented Instructions in Indexed Literal Offset Mode"](#) for details.

**Words:** 1

**Cycles:** 1(2)  
**Note:** 3 cycles if skip and followed by a 2-word instruction.

**Q Cycle Activity:**

| Q1     | Q2                | Q3           | Q4           |
|--------|-------------------|--------------|--------------|
| Decode | Read register 'f' | Process Data | No operation |

If skip:

| Q1           | Q2           | Q3           | Q4           |
|--------------|--------------|--------------|--------------|
| No operation | No operation | No operation | No operation |

If skip and followed by 2-word instruction:

| Q1           | Q2           | Q3           | Q4           |
|--------------|--------------|--------------|--------------|
| No operation | No operation | No operation | No operation |
| No operation | No operation | No operation | No operation |

**Example:** HERE CPFSEQ REG, 0  
 NEQUAL :  
 EQUAL :

Before Instruction  
 PC Address = HERE  
 W = ?  
 REG = ?

After Instruction  
 If REG = W;  
 PC = Address (EQUAL)  
 If REG  $\neq$  W;  
 PC = Address (NEQUAL)

# PIC18F87K90 FAMILY

**CPFSGT**      **Compare f with W, Skip if f > W**

---

Syntax:            CPFSGT f{,a}

Operands:         $0 \leq f \leq 255$   
 $a \in [0, 1]$

Operation:         $(f) - (W)$ ,  
 skip if  $(f) > (W)$   
 (unsigned comparison)

Status Affected:    None

Encoding:        

|      |      |      |      |
|------|------|------|------|
| 0110 | 010a | ffff | ffff |
|------|------|------|------|

Description:      Compares the contents of data memory location 'f' to the contents of the W by performing an unsigned subtraction.

                    If the contents of 'f' are greater than the contents of WREG, then the fetched instruction is discarded and a NOP is executed instead, making this a two-cycle instruction.

                    If 'a' is '0', the Access Bank is selected.  
 If 'a' is '1', the BSR is used to select the GPR bank.

                    If 'a' is '0' and the extended instruction set is enabled, this instruction operates in Indexed Literal Addressing mode whenever  $f \leq 95$  (5Fh). See [Section 29.2.3 "Byte-Oriented and Bit-Oriented Instructions in Indexed Literal Offset Mode"](#) for details.

Words:            1

Cycles:            1(2)  
**Note:** 3 cycles if skip and followed by a 2-word instruction.

Q Cycle Activity:

| Q1     | Q2                | Q3           | Q4           |
|--------|-------------------|--------------|--------------|
| Decode | Read register 'f' | Process Data | No operation |

If skip:

| Q1           | Q2           | Q3           | Q4           |
|--------------|--------------|--------------|--------------|
| No operation | No operation | No operation | No operation |

If skip and followed by 2-word instruction:

| Q1           | Q2           | Q3           | Q4           |
|--------------|--------------|--------------|--------------|
| No operation | No operation | No operation | No operation |
| No operation | No operation | No operation | No operation |

**Example:**            HERE      CPFSGT REG, 0  
                           NGREATER :  
                           GREATER  :

Before Instruction

PC            =    Address (HERE)  
 W            =    ?

After Instruction

If REG       >    W;  
                  =    Address (GREATER)  
 If REG       ≤    W;  
                  =    Address (NGREATER)

**CPFSLT**      **Compare f with W, Skip if f < W**

---

Syntax:            CPFSLT f{,a}

Operands:         $0 \leq f \leq 255$   
 $a \in [0, 1]$

Operation:         $(f) - (W)$ ,  
 skip if  $(f) < (W)$   
 (unsigned comparison)

Status Affected:    None

Encoding:        

|      |      |      |      |
|------|------|------|------|
| 0110 | 000a | ffff | ffff |
|------|------|------|------|

Description:      Compares the contents of data memory location 'f' to the contents of W by performing an unsigned subtraction.

                    If the contents of 'f' are less than the contents of W, then the fetched instruction is discarded and a NOP is executed instead, making this a two-cycle instruction.

                    If 'a' is '0', the Access Bank is selected.  
 If 'a' is '1', the BSR is used to select the GPR bank.

Words:            1

Cycles:            1(2)  
**Note:** 3 cycles if skip and followed by a 2-word instruction.

Q Cycle Activity:

| Q1     | Q2                | Q3           | Q4           |
|--------|-------------------|--------------|--------------|
| Decode | Read register 'f' | Process Data | No operation |

If skip:

| Q1           | Q2           | Q3           | Q4           |
|--------------|--------------|--------------|--------------|
| No operation | No operation | No operation | No operation |

If skip and followed by 2-word instruction:

| Q1           | Q2           | Q3           | Q4           |
|--------------|--------------|--------------|--------------|
| No operation | No operation | No operation | No operation |
| No operation | No operation | No operation | No operation |

**Example:**            HERE      CPFSLT REG, 1  
                           NLESS    :  
                           LESS     :

Before Instruction

PC            =    Address (HERE)  
 W            =    ?

After Instruction

If REG       <    W;  
                  =    Address (LESS)  
 If REG       ≥    W;  
                  =    Address (NLESS)

# PIC18F87K90 FAMILY

|                   |   |              |         |      |      |        |                 |              |         |
|-------------------|---|--------------|---------|------|------|--------|-----------------|--------------|---------|
| <b>DAW</b>        | <b>Decimal Adjust W Register</b>  |              |         |      |      |        |                 |              |         |
| Syntax:           | DAW   |              |         |      |      |        |                 |              |         |
| Operands:         | None  |              |         |      |      |        |                 |              |         |
| Operation:        | If [W<3:0> > 9] or [DC = 1], then<br>(W<3:0>) + 6 → W<3:0>;<br>else,<br>(W<3:0>) → W<3:0>;<br><br>If [W<7:4> > 9] or [C = 1], then<br>(W<7:4>) + 6 → W<7:4>;<br>C = 1;<br>else,<br>(W<7:4>) → W<7:4>  |              |         |      |      |        |                 |              |         |
| Status Affected:  | C   |              |         |      |      |        |                 |              |         |
| Encoding:         | <table border="1" style="display: inline-table; border-collapse: collapse;"> <tr> <td style="padding: 2px;">0000</td> <td style="padding: 2px;">0000</td> <td style="padding: 2px;">0000</td> <td style="padding: 2px;">0111</td> </tr> </table>  | 0000         | 0000    | 0000 | 0111 |        |                 |              |         |
| 0000              | 0000  | 0000         | 0111    |      |      |        |                 |              |         |
| Description:      | DAW adjusts the 8-bit value in W, resulting from the earlier addition of two variables (each in packed BCD format) and produces a correct packed BCD result.  |              |         |      |      |        |                 |              |         |
| Words:            | 1   |              |         |      |      |        |                 |              |         |
| Cycles:           | 1   |              |         |      |      |        |                 |              |         |
| Q Cycle Activity: | <table border="1" style="display: inline-table; border-collapse: collapse; text-align: center;"> <tr> <td style="padding: 2px;">Q1</td> <td style="padding: 2px;">Q2</td> <td style="padding: 2px;">Q3</td> <td style="padding: 2px;">Q4</td> </tr> <tr> <td style="padding: 2px;">Decode</td> <td style="padding: 2px;">Read register W</td> <td style="padding: 2px;">Process Data</td> <td style="padding: 2px;">Write W</td> </tr> </table> | Q1           | Q2      | Q3   | Q4   | Decode | Read register W | Process Data | Write W |
| Q1                | Q2  | Q3           | Q4      |      |      |        |                 |              |         |
| Decode            | Read register W   | Process Data | Write W |      |      |        |                 |              |         |

**Example 1:**            DAW

Before Instruction  
W = A5h  
C = 0  
DC = 0  
After Instruction  
W = 05h  
C = 1  
DC = 0

**Example 2:**

Before Instruction  
W = CEh  
C = 0  
DC = 0  
After Instruction  
W = 34h  
C = 1  
DC = 0

|                   |   |              |                      |      |      |        |                   |              |                      |
|-------------------|---|--------------|----------------------|------|------|--------|-------------------|--------------|----------------------|
| <b>DECF</b>       | <b>Decrement f</b>  |              |                      |      |      |        |                   |              |                      |
| Syntax:           | DECF f {,d {,a}}  |              |                      |      |      |        |                   |              |                      |
| Operands:         | 0 ≤ f ≤ 255<br>d ∈ [0, 1]<br>a ∈ [0, 1]   |              |                      |      |      |        |                   |              |                      |
| Operation:        | (f) – 1 → dest  |              |                      |      |      |        |                   |              |                      |
| Status Affected:  | C, DC, N, OV, Z   |              |                      |      |      |        |                   |              |                      |
| Encoding:         | <table border="1" style="display: inline-table; border-collapse: collapse;"> <tr> <td style="padding: 2px;">0000</td> <td style="padding: 2px;">01da</td> <td style="padding: 2px;">ffff</td> <td style="padding: 2px;">ffff</td> </tr> </table>  | 0000         | 01da                 | ffff | ffff |        |                   |              |                      |
| 0000              | 01da  | ffff         | ffff                 |      |      |        |                   |              |                      |
| Description:      | Decrement register 'f'. If 'd' is '0', the result is stored in W. If 'd' is '1', the result is stored back in register 'f'.<br><br>If 'a' is '0', the Access Bank is selected. If 'a' is '1', the BSR is used to select the GPR bank.<br><br>If 'a' is '0' and the extended instruction set is enabled, this instruction operates in Indexed Literal Offset Addressing mode whenever f ≤ 95 (5Fh). See <a href="#">Section 29.2.3 "Byte-Oriented and Bit-Oriented Instructions in Indexed Literal Offset Mode"</a> for details. |              |                      |      |      |        |                   |              |                      |
| Words:            | 1   |              |                      |      |      |        |                   |              |                      |
| Cycles:           | 1   |              |                      |      |      |        |                   |              |                      |
| Q Cycle Activity: | <table border="1" style="display: inline-table; border-collapse: collapse; text-align: center;"> <tr> <td style="padding: 2px;">Q1</td> <td style="padding: 2px;">Q2</td> <td style="padding: 2px;">Q3</td> <td style="padding: 2px;">Q4</td> </tr> <tr> <td style="padding: 2px;">Decode</td> <td style="padding: 2px;">Read register 'f'</td> <td style="padding: 2px;">Process Data</td> <td style="padding: 2px;">Write to destination</td> </tr> </table>  | Q1           | Q2                   | Q3   | Q4   | Decode | Read register 'f' | Process Data | Write to destination |
| Q1                | Q2  | Q3           | Q4                   |      |      |        |                   |              |                      |
| Decode            | Read register 'f'   | Process Data | Write to destination |      |      |        |                   |              |                      |

**Example:**            DECF CNT, 1, 0

Before Instruction  
CNT = 01h  
Z = 0  
After Instruction  
CNT = 00h  
Z = 1



# PIC18F87K90 FAMILY

## GOTO Unconditional Branch

Syntax: GOTO k

Operands:  $0 \leq k \leq 1048575$

Operation:  $k \rightarrow PC<20:1>$

Status Affected: None

Encoding:

1st word ( $k<7:0>$ )

2nd word ( $k<19:8>$ )

|      |              |           |                   |
|------|--------------|-----------|-------------------|
| 1110 | 1111         | $k_7$ kkk | kkkk <sub>0</sub> |
| 1111 | $k_{19}$ kkk | kkkk      | kkkk <sub>8</sub> |

Description: GOTO allows an unconditional branch anywhere within entire 2-Mbyte memory range. The 20-bit value 'k' is loaded into PC<20:1>. GOTO is always a two-cycle instruction.

Words: 2

Cycles: 2

Q Cycle Activity:

| Q1           | Q2                     | Q3           | Q4                                  |
|--------------|------------------------|--------------|-------------------------------------|
| Decode       | Read literal 'k'<7:0>, | No operation | Read literal 'k'<19:8>, Write to PC |
| No operation | No operation           | No operation | No operation                        |

Example: GOTO THERE

After Instruction

PC = Address (THERE)

## INCF Increment f

Syntax: INCF f{,d{,a}}

Operands:  $0 \leq f \leq 255$

$d \in [0, 1]$

$a \in [0, 1]$

Operation:  $(f) + 1 \rightarrow \text{dest}$

Status Affected: C, DC, N, OV, Z

Encoding:

|      |      |      |      |
|------|------|------|------|
| 0010 | 10da | ffff | ffff |
|------|------|------|------|

Description:

The contents of register 'f' are incremented. If 'd' is '0', the result is placed in W. If 'd' is '1', the result is placed back in register 'f'.

If 'a' is '0', the Access Bank is selected. If 'a' is '1', the BSR is used to select the GPR bank.

If 'a' is '0' and the extended instruction set is enabled, this instruction operates in Indexed Literal Offset Addressing mode whenever  $f \leq 95$  (5Fh). See [Section 29.2.3 "Byte-Oriented and Bit-Oriented Instructions in Indexed Literal Offset Mode"](#) for details.

Words: 1

Cycles: 1

Q Cycle Activity:

| Q1     | Q2                | Q3           | Q4                   |
|--------|-------------------|--------------|----------------------|
| Decode | Read register 'f' | Process Data | Write to destination |

Example: INCF CNT, 1, 0

Before Instruction

CNT = FFh

Z = 0

C = ?

DC = ?

After Instruction

CNT = 00h

Z = 1

C = 1

DC = 1



# PIC18F87K90 FAMILY

**INCFSZ**      **Increment f, Skip if 0**

---

Syntax:      INCFSZ f {,d {,a}}

Operands:     $0 \leq f \leq 255$   
 $d \in [0, 1]$   
 $a \in [0, 1]$

Operation:     $(f) + 1 \rightarrow \text{dest}$ ,  
 skip if result = 0

Status Affected:    None

Encoding:    

|      |      |      |      |
|------|------|------|------|
| 0011 | 11da | ffff | ffff |
|------|------|------|------|

Description:    The contents of register 'f' are incremented. If 'd' is '0', the result is placed in W. If 'd' is '1', the result is placed back in register 'f'.  
 If the result is '0', the next instruction which is already fetched is discarded and a NOP is executed instead, making it a two-cycle instruction.  
 If 'a' is '0', the Access Bank is selected. If 'a' is '1', the BSR is used to select the GPR bank.  
 If 'a' is '0' and the extended instruction set is enabled, this instruction operates in Indexed Literal Offset Addressing mode whenever  $f \leq 95$  (5Fh). See [Section 29.2.3 "Byte-Oriented and Bit-Oriented Instructions in Indexed Literal Offset Mode"](#) for details.

Words:      1

Cycles:      1(2)  
**Note:** 3 cycles if skip and followed by a 2-word instruction.

Q Cycle Activity:

| Q1     | Q2                | Q3           | Q4                   |
|--------|-------------------|--------------|----------------------|
| Decode | Read register 'f' | Process Data | Write to destination |

If skip:

| Q1           | Q2           | Q3           | Q4           |
|--------------|--------------|--------------|--------------|
| No operation | No operation | No operation | No operation |

If skip and followed by 2-word instruction:

| Q1           | Q2           | Q3           | Q4           |
|--------------|--------------|--------------|--------------|
| No operation | No operation | No operation | No operation |
| No operation | No operation | No operation | No operation |

**Example:**      HERE      INCFSZ    CNT, 1, 0  
                   :           ZERO   :  
                   :           ZERO   :

Before Instruction  
 PC = Address (HERE)  
 After Instruction  
 CNT = CNT + 1  
 If CNT = 0;  
 PC = Address (ZERO)  
 If CNT  $\neq$  0;  
 PC = Address (NZERO)

**INFSNZ**      **Increment f, Skip if Not 0**

---

Syntax:      INFSNZ f {,d {,a}}

Operands:     $0 \leq f \leq 255$   
 $d \in [0, 1]$   
 $a \in [0, 1]$

Operation:     $(f) + 1 \rightarrow \text{dest}$ ,  
 skip if result  $\neq 0$

Status Affected:    None

Encoding:    

|      |      |      |      |
|------|------|------|------|
| 0100 | 10da | ffff | ffff |
|------|------|------|------|

Description:    The contents of register 'f' are incremented. If 'd' is '0', the result is placed in W. If 'd' is '1', the result is placed back in register 'f'.  
 If the result is not '0', the next instruction which is already fetched is discarded and a NOP is executed instead, making it a two-cycle instruction.  
 If 'a' is '0', the Access Bank is selected. If 'a' is '1', the BSR is used to select the GPR bank.  
 If 'a' is '0' and the extended instruction set is enabled, this instruction operates in Indexed Literal Offset Addressing mode whenever  $f \leq 95$  (5Fh). See [Section 29.2.3 "Byte-Oriented and Bit-Oriented Instructions in Indexed Literal Offset Mode"](#) for details.

Words:      1

Cycles:      1(2)  
**Note:** 3 cycles if skip and followed by a 2-word instruction.

Q Cycle Activity:

| Q1     | Q2                | Q3           | Q4                   |
|--------|-------------------|--------------|----------------------|
| Decode | Read register 'f' | Process Data | Write to destination |

If skip:

| Q1           | Q2           | Q3           | Q4           |
|--------------|--------------|--------------|--------------|
| No operation | No operation | No operation | No operation |

If skip and followed by 2-word instruction:

| Q1           | Q2           | Q3           | Q4           |
|--------------|--------------|--------------|--------------|
| No operation | No operation | No operation | No operation |
| No operation | No operation | No operation | No operation |

**Example:**      HERE      INFSNZ    REG, 1, 0  
                   :           ZERO   :  
                   :           NZERO   :

Before Instruction  
 PC = Address (HERE)  
 After Instruction  
 REG = REG + 1  
 If REG  $\neq$  0;  
 PC = Address (NZERO)  
 If REG = 0;  
 PC = Address (ZERO)

# PIC18F87K90 FAMILY

## IORLW Inclusive OR Literal with W

Syntax: IORLW k  
 Operands:  $0 \leq k \leq 255$   
 Operation: (W) .OR. k  $\rightarrow$  W  
 Status Affected: N, Z  
 Encoding: 

|      |      |      |      |
|------|------|------|------|
| 0000 | 1001 | kkkk | kkkk |
|------|------|------|------|

  
 Description: The contents of W are ORed with the 8-bit literal 'k'. The result is placed in W.  
 Words: 1  
 Cycles: 1

Q Cycle Activity:

| Q1     | Q2               | Q3           | Q4         |
|--------|------------------|--------------|------------|
| Decode | Read literal 'k' | Process Data | Write to W |

**Example:** IORLW 35h

Before Instruction  
 W = 9Ah  
 After Instruction  
 W = BFh

## IORWF Inclusive OR W with f

Syntax: IORWF f {,d {,a}}  
 Operands:  $0 \leq f \leq 255$   
 $d \in [0, 1]$   
 $a \in [0, 1]$   
 Operation: (W) .OR. (f)  $\rightarrow$  dest  
 Status Affected: N, Z  
 Encoding: 

|      |      |      |      |
|------|------|------|------|
| 0001 | 00da | ffff | ffff |
|------|------|------|------|

  
 Description: Inclusive OR W with register 'f'. If 'd' is '0', the result is placed in W. If 'd' is '1', the result is placed back in register 'f'.  
 If 'a' is '0', the Access Bank is selected. If 'a' is '1', the BSR is used to select the GPR bank.

If 'a' is '0' and the extended instruction set is enabled, this instruction operates in Indexed Literal Offset Addressing mode whenever  $f \leq 95$  (5Fh). See [Section 29.2.3 "Byte-Oriented and Bit-Oriented Instructions in Indexed Literal Offset Mode"](#) for details.

Words: 1  
 Cycles: 1

Q Cycle Activity:

| Q1     | Q2                | Q3           | Q4                   |
|--------|-------------------|--------------|----------------------|
| Decode | Read register 'f' | Process Data | Write to destination |

**Example:** IORWF RESULT, 0, 1

Before Instruction  
 RESULT = 13h  
 W = 91h  
 After Instruction  
 RESULT = 13h  
 W = 93h

# PIC18F87K90 FAMILY

**LFSR**                      **Load FSR**

---

Syntax:                      LFSR f, k

Operands:                     $0 \leq f \leq 2$   
 $0 \leq k \leq 4095$

Operation:                     $k \rightarrow \text{FSRf}$

Status Affected:            None

Encoding:                    

|      |      |          |             |
|------|------|----------|-------------|
| 1110 | 1110 | 00ff     | $k_{11}kkk$ |
| 1111 | 0000 | $k_7kkk$ | kkkk        |

Description:                The 12-bit literal 'k' is loaded into the file select register pointed to by 'f'.

Words:                        2

Cycles:                       2

Q Cycle Activity:

| Q1     | Q2                   | Q3           | Q4                             |
|--------|----------------------|--------------|--------------------------------|
| Decode | Read literal 'k' MSB | Process Data | Write literal 'k' MSB to FSRfH |
| Decode | Read literal 'k' LSB | Process Data | Write literal 'k' to FSRfL     |

Example:                      LFSR 2, 3ABh

After Instruction

|       |   |     |
|-------|---|-----|
| FSR2H | = | 03h |
| FSR2L | = | ABh |

**MOVf**                      **Move f**

---

Syntax:                      MOVf f {,d {,a}}

Operands:                     $0 \leq f \leq 255$   
 $d \in [0, 1]$   
 $a \in [0, 1]$

Operation:                     $f \rightarrow \text{dest}$

Status Affected:            N, Z

Encoding:                    

|      |      |      |      |
|------|------|------|------|
| 0101 | 00da | ffff | ffff |
|------|------|------|------|

Description:                The contents of register 'f' are moved to a destination dependent upon the status of 'd'. If 'd' is '0', the result is placed in W. If 'd' is '1', the result is placed back in register 'f'. Location 'f' can be anywhere in the 256-byte bank.

If 'a' is '0', the Access Bank is selected. If 'a' is '1', the BSR is used to select the GPR bank.

If 'a' is '0' and the extended instruction set is enabled, this instruction operates in Indexed Literal Offset Addressing mode whenever  $f \leq 95$  (5Fh). See [Section 29.2.3 "Byte-Oriented and Bit-Oriented Instructions in Indexed Literal Offset Mode"](#) for details.

Words:                        1

Cycles:                       1

Q Cycle Activity:

| Q1     | Q2                | Q3           | Q4      |
|--------|-------------------|--------------|---------|
| Decode | Read register 'f' | Process Data | Write W |

Example:                      MOVf REG, 0, 0

Before Instruction

|     |   |     |
|-----|---|-----|
| REG | = | 22h |
| W   | = | FFh |

After Instruction

|     |   |     |
|-----|---|-----|
| REG | = | 22h |
| W   | = | 22h |

# PIC18F87K90 FAMILY

## MOVFF Move f to f

Syntax: MOVFF  $f_s, f_d$

Operands:  $0 \leq f_s \leq 4095$   
 $0 \leq f_d \leq 4095$

Operation:  $(f_s) \rightarrow f_d$

Status Affected: None

Encoding:

|                    |      |      |      |            |
|--------------------|------|------|------|------------|
| 1st word (source)  | 1100 | ffff | ffff | ffff $f_s$ |
| 2nd word (destin.) | 1111 | ffff | ffff | ffff $f_d$ |

Description: The contents of source register ' $f_s$ ' are moved to destination register ' $f_d$ '. Location of source ' $f_s$ ' can be anywhere in the 4096-byte data space (000h to FFFh) and location of destination ' $f_d$ ' can also be anywhere from 000h to FFFh.

Either source or destination can be W (a useful special situation).

MOVFF is particularly useful for transferring a data memory location to a peripheral register (such as the transmit buffer or an I/O port).

The MOVFF instruction cannot use the PCL, TOSU, TOSH or TOSL as the destination register

Words: 2

Cycles: 2

Q Cycle Activity:

|        | Q1     | Q2                            | Q3           | Q4                        |
|--------|--------|-------------------------------|--------------|---------------------------|
| Decode | Decode | Read register 'f' (src)       | Process Data | No operation              |
| Decode | Decode | No operation<br>No dummy read | No operation | Write register 'f' (dest) |

**Example:** MOVFF REG1, REG2

Before Instruction  
 REG1 = 33h  
 REG2 = 11h

After Instruction  
 REG1 = 33h  
 REG2 = 33h

## MOVLB Move Literal to Low Nibble in BSR

Syntax: MOVLB k

Operands:  $0 \leq k \leq 255$

Operation:  $k \rightarrow \text{BSR}$

Status Affected: None

Encoding:

|      |      |      |      |
|------|------|------|------|
| 0000 | 0001 | kkkk | kkkk |
|------|------|------|------|

Description: The 8-bit literal 'k' is loaded into the Bank Select Register (BSR). The value of BSR<7:4> always remains '0' regardless of the value of  $k_7:k_4$ .

Words: 1

Cycles: 1

Q Cycle Activity:

|        | Q1     | Q2               | Q3           | Q4                       |
|--------|--------|------------------|--------------|--------------------------|
| Decode | Decode | Read literal 'k' | Process Data | Write literal 'k' to BSR |

**Example:** MOVLB 5

Before Instruction  
 BSR Register = 02h

After Instruction  
 BSR Register = 05h

# PIC18F87K90 FAMILY

## MOVLW Move Literal to W

Syntax: MOVLW k

Operands:  $0 \leq k \leq 255$

Operation:  $k \rightarrow W$

Status Affected: None

Encoding: 

|      |      |      |      |
|------|------|------|------|
| 0000 | 1110 | kkkk | kkkk |
|------|------|------|------|

Description: The 8-bit literal 'k' is loaded into W.

Words: 1

Cycles: 1

Q Cycle Activity:

| Q1     | Q2                  | Q3              | Q4            |
|--------|---------------------|-----------------|---------------|
| Decode | Read<br>literal 'k' | Process<br>Data | Write to<br>W |

Example: MOVLW 5Ah

After Instruction  
W = 5Ah

## MOVWF Move W to f

Syntax: MOVWF f{,a}

Operands:  $0 \leq f \leq 255$   
 $a \in [0, 1]$

Operation:  $(W) \rightarrow f$

Status Affected: None

Encoding: 

|      |      |      |      |
|------|------|------|------|
| 0110 | 111a | ffff | ffff |
|------|------|------|------|

Description: Move data from W to register 'f'. Location 'f' can be anywhere in the 256-byte bank.

If 'a' is '0', the Access Bank is selected. If 'a' is '1', the BSR is used to select the GPR bank.

If 'a' is '0' and the extended instruction set is enabled, this instruction operates in Indexed Literal Offset Addressing mode whenever  $f \leq 95$  (5Fh). See [Section 29.2.3 "Byte-Oriented and Bit-Oriented Instructions in Indexed Literal Offset Mode"](#) for details.

Words: 1

Cycles: 1

Q Cycle Activity:

| Q1     | Q2                   | Q3              | Q4                    |
|--------|----------------------|-----------------|-----------------------|
| Decode | Read<br>register 'f' | Process<br>Data | Write<br>register 'f' |

Example: MOVWF REG, 0

Before Instruction

W = 4Fh  
REG = FFh

After Instruction

W = 4Fh  
REG = 4Fh

# PIC18F87K90 FAMILY

## MULLW Multiply Literal with W

Syntax: MULLW k

Operands:  $0 \leq k \leq 255$

Operation:  $(W) \times k \rightarrow \text{PRODH}:\text{PRODL}$

Status Affected: None

Encoding: 

|      |      |      |      |
|------|------|------|------|
| 0000 | 1101 | kkkk | kkkk |
|------|------|------|------|

Description: An unsigned multiplication is carried out between the contents of W and the 8-bit literal 'k'. The 16-bit result is placed in the PRODH:PRODL register pair. PRODH contains the high byte. W is unchanged.

None of the Status flags are affected.

Note that neither Overflow nor Carry is possible in this operation. A Zero result is possible but not detected.

Words: 1

Cycles: 1

Q Cycle Activity:

| Q1     | Q2               | Q3           | Q4                          |
|--------|------------------|--------------|-----------------------------|
| Decode | Read literal 'k' | Process Data | Write registers PRODH:PRODL |

Example: MULLW 0C4h

Before Instruction

W = E2h

PRODH = ?

PRODL = ?

After Instruction

W = E2h

PRODH = ADh

PRODL = 08h

## MULWF Multiply W with f

Syntax: MULWF f{,a}

Operands:  $0 \leq f \leq 255$   
 $a \in [0, 1]$

Operation:  $(W) \times (f) \rightarrow \text{PRODH}:\text{PRODL}$

Status Affected: None

Encoding: 

|      |      |      |      |
|------|------|------|------|
| 0000 | 001a | ffff | ffff |
|------|------|------|------|

Description: An unsigned multiplication is carried out between the contents of W and the register file location 'f'. The 16-bit result is stored in the PRODH:PRODL register pair. PRODH contains the high byte. Both W and 'f' are unchanged.

None of the Status flags are affected.

Note that neither Overflow nor Carry is possible in this operation. A Zero result is possible but not detected.

If 'a' is '0', the Access Bank is selected. If 'a' is '1', the BSR is used to select the GPR bank.

If 'a' is '0' and the extended instruction set is enabled, this instruction operates in Indexed Literal Offset Addressing mode whenever  $f \leq 95$  (5Fh). See [Section 29.2.3 "Byte-Oriented and Bit-Oriented Instructions in Indexed Literal Offset Mode"](#) for details.

Words: 1

Cycles: 1

Q Cycle Activity:

| Q1     | Q2                | Q3           | Q4                          |
|--------|-------------------|--------------|-----------------------------|
| Decode | Read register 'f' | Process Data | Write registers PRODH:PRODL |

Example: MULWF REG, 1

Before Instruction

W = C4h

REG = B5h

PRODH = ?

PRODL = ?

After Instruction

W = C4h

REG = B5h

PRODH = 8Ah

PRODL = 94h

# PIC18F87K90 FAMILY

| NEGF              | Negate f   |              |                    |      |      |        |                   |              |                    |
|-------------------|--|--------------|--------------------|------|------|--------|-------------------|--------------|--------------------|
| Syntax:           | NEGF f {,a}  |              |                    |      |      |        |                   |              |                    |
| Operands:         | $0 \leq f \leq 255$<br>$a \in [0, 1]$  |              |                    |      |      |        |                   |              |                    |
| Operation:        | $(\bar{f}) + 1 \rightarrow f$  |              |                    |      |      |        |                   |              |                    |
| Status Affected:  | N, OV, C, DC, Z  |              |                    |      |      |        |                   |              |                    |
| Encoding:         | <table border="1"> <tr> <td>0110</td> <td>110a</td> <td>ffff</td> <td>ffff</td> </tr> </table>   | 0110         | 110a               | ffff | ffff |        |                   |              |                    |
| 0110              | 110a   | ffff         | ffff               |      |      |        |                   |              |                    |
| Description:      | <p>Location 'f' is negated using two's complement. The result is placed in the data memory location 'f'.</p> <p>If 'a' is '0', the Access Bank is selected. If 'a' is '1', the BSR is used to select the GPR bank.</p> <p>If 'a' is '0' and the extended instruction set is enabled, this instruction operates in Indexed Literal Offset Addressing mode whenever <math>f \leq 95</math> (5Fh). See <a href="#">Section 29.2.3 "Byte-Oriented and Bit-Oriented Instructions in Indexed Literal Offset Mode"</a> for details.</p> |              |                    |      |      |        |                   |              |                    |
| Words:            | 1  |              |                    |      |      |        |                   |              |                    |
| Cycles:           | 1  |              |                    |      |      |        |                   |              |                    |
| Q Cycle Activity: | <table border="1"> <thead> <tr> <th>Q1</th> <th>Q2</th> <th>Q3</th> <th>Q4</th> </tr> </thead> <tbody> <tr> <td>Decode</td> <td>Read register 'f'</td> <td>Process Data</td> <td>Write register 'f'</td> </tr> </tbody> </table>   | Q1           | Q2                 | Q3   | Q4   | Decode | Read register 'f' | Process Data | Write register 'f' |
| Q1                | Q2   | Q3           | Q4                 |      |      |        |                   |              |                    |
| Decode            | Read register 'f'  | Process Data | Write register 'f' |      |      |        |                   |              |                    |

**Example:**           NEGF    REG, 1

Before Instruction  
REG    =   0011 1010 [3Ah]

After Instruction  
REG    =   1100 0110 [C6h]

| NOP               | No Operation  |              |              |      |      |        |              |              |              |
|-------------------|---|--------------|--------------|------|------|--------|--------------|--------------|--------------|
| Syntax:           | NOP   |              |              |      |      |        |              |              |              |
| Operands:         | None  |              |              |      |      |        |              |              |              |
| Operation:        | No operation  |              |              |      |      |        |              |              |              |
| Status Affected:  | None  |              |              |      |      |        |              |              |              |
| Encoding:         | <table border="1"> <tr> <td>0000</td> <td>0000</td> <td>0000</td> <td>0000</td> </tr> <tr> <td>1111</td> <td>xxxx</td> <td>xxxx</td> <td>xxxx</td> </tr> </table>   | 0000         | 0000         | 0000 | 0000 | 1111   | xxxx         | xxxx         | xxxx         |
| 0000              | 0000  | 0000         | 0000         |      |      |        |              |              |              |
| 1111              | xxxx  | xxxx         | xxxx         |      |      |        |              |              |              |
| Description:      | No operation.   |              |              |      |      |        |              |              |              |
| Words:            | 1   |              |              |      |      |        |              |              |              |
| Cycles:           | 1   |              |              |      |      |        |              |              |              |
| Q Cycle Activity: | <table border="1"> <thead> <tr> <th>Q1</th> <th>Q2</th> <th>Q3</th> <th>Q4</th> </tr> </thead> <tbody> <tr> <td>Decode</td> <td>No operation</td> <td>No operation</td> <td>No operation</td> </tr> </tbody> </table> | Q1           | Q2           | Q3   | Q4   | Decode | No operation | No operation | No operation |
| Q1                | Q2  | Q3           | Q4           |      |      |        |              |              |              |
| Decode            | No operation  | No operation | No operation |      |      |        |              |              |              |

**Example:**  
None.

# PIC18F87K90 FAMILY

## POP Pop Top of Return Stack

Syntax: POP

Operands: None

Operation: (TOS) → bit bucket

Status Affected: None

Encoding: 

|      |      |      |      |
|------|------|------|------|
| 0000 | 0000 | 0000 | 0110 |
|------|------|------|------|

Description: The TOS value is pulled off the return stack and is discarded. The TOS value then becomes the previous value that was pushed onto the return stack. This instruction is provided to enable the user to properly manage the return stack to incorporate a software stack.

Words: 1

Cycles: 1

Q Cycle Activity:

| Q1     | Q2           | Q3            | Q4           |
|--------|--------------|---------------|--------------|
| Decode | No operation | POP TOS value | No operation |

**Example:**

|                      |      |         |  |
|----------------------|------|---------|--|
|                      | POP  |         |  |
|                      | GOTO | NEW     |  |
| Before Instruction   |      |         |  |
| TOS                  | =    | 0031A2h |  |
| Stack (1 level down) | =    | 014332h |  |
| After Instruction    |      |         |  |
| TOS                  | =    | 014332h |  |
| PC                   | =    | NEW     |  |

## PUSH Push Top of Return Stack

Syntax: PUSH

Operands: None

Operation: (PC + 2) → TOS

Status Affected: None

Encoding: 

|      |      |      |      |
|------|------|------|------|
| 0000 | 0000 | 0000 | 0101 |
|------|------|------|------|

Description: The PC + 2 is pushed onto the top of the return stack. The previous TOS value is pushed down on the stack. This instruction allows implementing a software stack by modifying TOS and then pushing it onto the return stack.

Words: 1

Cycles: 1

Q Cycle Activity:

| Q1     | Q2                                  | Q3              | Q4              |
|--------|-------------------------------------|-----------------|-----------------|
| Decode | PUSH<br>PC + 2 onto<br>return stack | No<br>operation | No<br>operation |

**Example:**

|                      |      |       |  |
|----------------------|------|-------|--|
|                      | PUSH |       |  |
| Before Instruction   |      |       |  |
| TOS                  | =    | 345Ah |  |
| PC                   | =    | 0124h |  |
| After Instruction    |      |       |  |
| PC                   | =    | 0126h |  |
| TOS                  | =    | 0126h |  |
| Stack (1 level down) | =    | 345Ah |  |



# PIC18F87K90 FAMILY

**RCALL**                      **Relative Call**

---

Syntax:                      RCALL n

Operands:                     $-1024 \leq n \leq 1023$

Operation:                    (PC) + 2 → TOS,  
                                   (PC) + 2 + 2n → PC

Status Affected:            None

Encoding:                    

|      |      |      |      |
|------|------|------|------|
| 1101 | 1nnn | nnnn | nnnn |
|------|------|------|------|

Description:                Subroutine call with a jump up to 1K from the current location. First, return address (PC + 2) is pushed onto the stack. Then, add the 2's complement number '2n' to the PC. Since the PC will have incremented to fetch the next instruction, the new address will be PC + 2 + 2n. This instruction is a two-cycle instruction.

Words:                        1

Cycles:                        2

Q Cycle Activity:

| Q1           | Q2                                   | Q3           | Q4           |
|--------------|--------------------------------------|--------------|--------------|
| Decode       | Read literal 'n'<br>PUSH PC to stack | Process Data | Write to PC  |
| No operation | No operation                         | No operation | No operation |

Example:                    HERE            RCALL Jump

Before Instruction  
     PC = Address (HERE)

After Instruction  
     PC = Address (Jump)  
     TOS = Address (HERE + 2)

**RESET**                      **Reset**

---

Syntax:                      RESET

Operands:                    None

Operation:                    Reset all registers and flags that are affected by a MCLR Reset.

Status Affected:            All

Encoding:                    

|      |      |      |      |
|------|------|------|------|
| 0000 | 0000 | 1111 | 1111 |
|------|------|------|------|

Description:                This instruction provides a way to execute a MCLR Reset in software.

Words:                        1

Cycles:                        1

Q Cycle Activity:

| Q1     | Q2          | Q3           | Q4           |
|--------|-------------|--------------|--------------|
| Decode | Start reset | No operation | No operation |

Example:                    RESET

After Instruction  
     Registers = Reset Value  
     Flags\* = Reset Value

# PIC18F87K90 FAMILY

## RETFIE Return from Interrupt

**Syntax:** RETFIE {s}

**Operands:**  $s \in [0,1]$

**Operation:** (TOS) → PC,  
 $1 \rightarrow$  GIE/GIEH or PEIE/GIEL;  
 if  $s = 1$ ,  
 (WS) → W,  
 (STATUS) → STATUS,  
 (BSRS) → BSR,  
 PCLATU, PCLATH are unchanged

**Status Affected:** GIE/GIEH, PEIE/GIEL.

|      |      |      |      |
|------|------|------|------|
| 0000 | 0000 | 0001 | 000s |
|------|------|------|------|

**Encoding:**

**Description:** Return from interrupt. Stack is popped and Top-of-Stack (TOS) is loaded into the PC. Interrupts are enabled by setting either the high or low-priority Global Interrupt Enable bit. If 's' = 1, the contents of the shadow registers WS, STATUS and BSRS are loaded into their corresponding registers W, STATUS and BSR. If 's' = 0, no update of these registers occurs.

**Words:** 1

**Cycles:** 2

Q Cycle Activity:

| Q1           | Q2           | Q3           | Q4                                    |
|--------------|--------------|--------------|---------------------------------------|
| Decode       | No operation | No operation | POP PC from stack<br>Set GIEH or GIEL |
| No operation | No operation | No operation | No operation                          |

**Example:** RETFIE 1

After Interrupt

|                     |   |        |
|---------------------|---|--------|
| PC                  | = | TOS    |
| W                   | = | WS     |
| BSR                 | = | BSRS   |
| STATUS              | = | STATUS |
| GIE/GIEH, PEIE/GIEL | = | 1      |

## RETLW Return Literal to W

**Syntax:** RETLW k

**Operands:**  $0 \leq k \leq 255$

**Operation:**  $k \rightarrow$  W,  
 (TOS) → PC,  
 PCLATU, PCLATH are unchanged

**Status Affected:** None

|      |      |      |      |
|------|------|------|------|
| 0000 | 1100 | kkkk | kkkk |
|------|------|------|------|

**Encoding:**

**Description:** W is loaded with the 8-bit literal 'k'. The Program Counter is loaded from the top of the stack (the return address). The high address latch (PCLATH) remains unchanged.

**Words:** 1

**Cycles:** 2

Q Cycle Activity:

| Q1           | Q2               | Q3           | Q4                            |
|--------------|------------------|--------------|-------------------------------|
| Decode       | Read literal 'k' | Process Data | POP PC from stack, write to W |
| No operation | No operation     | No operation | No operation                  |

**Example:**

```
CALL TABLE ; W contains table
              ; offset value
              ; W now has
              ; table value
:
TABLE
  ADDWF PCL ; W = offset
  RETLW k0 ; Begin table
  RETLW k1 ;
:
:
  RETLW kn ; End of table
```

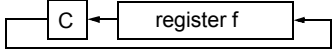
Before Instruction  
 W = 07h

After Instruction  
 W = value of kn

# PIC18F87K90 FAMILY

| RETURN            | Return from Subroutine  |              |                   |      |      |        |              |              |                   |              |              |              |              |
|-------------------|---|--------------|-------------------|------|------|--------|--------------|--------------|-------------------|--------------|--------------|--------------|--------------|
| Syntax:           | RETURN {s}  |              |                   |      |      |        |              |              |                   |              |              |              |              |
| Operands:         | s ∈ [0,1]   |              |                   |      |      |        |              |              |                   |              |              |              |              |
| Operation:        | (TOS) → PC;<br>if s = 1,<br>(WS) → W,<br>(STATUS) → STATUS,<br>(BSRS) → BSR,<br>PCLATU, PCLATH are unchanged  |              |                   |      |      |        |              |              |                   |              |              |              |              |
| Status Affected:  | None  |              |                   |      |      |        |              |              |                   |              |              |              |              |
| Encoding:         | <table border="1" style="display: inline-table;"><tr><td>0000</td><td>0000</td><td>0001</td><td>001s</td></tr></table>  | 0000         | 0000              | 0001 | 001s |        |              |              |                   |              |              |              |              |
| 0000              | 0000  | 0001         | 001s              |      |      |        |              |              |                   |              |              |              |              |
| Description:      | Return from subroutine. The stack is popped and the top of the stack (TOS) is loaded into the Program Counter. If 's' = 1, the contents of the shadow registers WS, STATUS and BSR are loaded into their corresponding registers W, STATUS and BSR. If 's' = 0, no update of these registers occurs.                                  |              |                   |      |      |        |              |              |                   |              |              |              |              |
| Words:            | 1   |              |                   |      |      |        |              |              |                   |              |              |              |              |
| Cycles:           | 2   |              |                   |      |      |        |              |              |                   |              |              |              |              |
| Q Cycle Activity: | <table border="1" style="display: inline-table;"><thead><tr><th>Q1</th><th>Q2</th><th>Q3</th><th>Q4</th></tr></thead><tbody><tr><td>Decode</td><td>No operation</td><td>Process Data</td><td>POP PC from stack</td></tr><tr><td>No operation</td><td>No operation</td><td>No operation</td><td>No operation</td></tr></tbody></table> | Q1           | Q2                | Q3   | Q4   | Decode | No operation | Process Data | POP PC from stack | No operation | No operation | No operation | No operation |
| Q1                | Q2  | Q3           | Q4                |      |      |        |              |              |                   |              |              |              |              |
| Decode            | No operation  | Process Data | POP PC from stack |      |      |        |              |              |                   |              |              |              |              |
| No operation      | No operation  | No operation | No operation      |      |      |        |              |              |                   |              |              |              |              |

**Example:** RETURN  
After Instruction:  
PC = TOS

| RLCF              | Rotate Left f through Carry  |              |                      |      |      |        |                   |              |                      |
|-------------------|--|--------------|----------------------|------|------|--------|-------------------|--------------|----------------------|
| Syntax:           | RLCF f {,d {,a}}   |              |                      |      |      |        |                   |              |                      |
| Operands:         | 0 ≤ f ≤ 255<br>d ∈ [0,1]<br>a ∈ [0,1]  |              |                      |      |      |        |                   |              |                      |
| Operation:        | (f<n>) → dest<n + 1>,<br>(f<7>) → C,<br>(C) → dest<0>  |              |                      |      |      |        |                   |              |                      |
| Status Affected:  | C, N, Z  |              |                      |      |      |        |                   |              |                      |
| Encoding:         | <table border="1" style="display: inline-table;"><tr><td>0011</td><td>01da</td><td>ffff</td><td>ffff</td></tr></table>   | 0011         | 01da                 | ffff | ffff |        |                   |              |                      |
| 0011              | 01da   | ffff         | ffff                 |      |      |        |                   |              |                      |
| Description:      | The contents of register 'f' are rotated one bit to the left through the Carry flag. If 'd' is '0', the result is placed in W. If 'd' is '1', the result is stored back in register 'f'.<br><br>If 'a' is '0', the Access Bank is selected. If 'a' is '1', the BSR is used to select the GPR bank.<br><br>If 'a' is '0' and the extended instruction set is enabled, this instruction operates in Indexed Literal Offset Addressing mode whenever f ≤ 95 (5Fh). See <a href="#">Section 29.2.3 "Byte-Oriented and Bit-Oriented Instructions in Indexed Literal Offset Mode"</a> for details. |              |                      |      |      |        |                   |              |                      |
|                   |    |              |                      |      |      |        |                   |              |                      |
| Words:            | 1  |              |                      |      |      |        |                   |              |                      |
| Cycles:           | 1  |              |                      |      |      |        |                   |              |                      |
| Q Cycle Activity: | <table border="1" style="display: inline-table;"><thead><tr><th>Q1</th><th>Q2</th><th>Q3</th><th>Q4</th></tr></thead><tbody><tr><td>Decode</td><td>Read register 'f'</td><td>Process Data</td><td>Write to destination</td></tr></tbody></table>   | Q1           | Q2                   | Q3   | Q4   | Decode | Read register 'f' | Process Data | Write to destination |
| Q1                | Q2   | Q3           | Q4                   |      |      |        |                   |              |                      |
| Decode            | Read register 'f'  | Process Data | Write to destination |      |      |        |                   |              |                      |

**Example:** RLCF REG, 0, 0

Before Instruction  
REG = 1110 0110  
C = 0

After Instruction  
REG = 1110 0110  
W = 1100 1100  
C = 1

# PIC18F87K90 FAMILY

## RLNCF Rotate Left f (No Carry)

Syntax: RLNCF f{,d{,a}}

Operands:  $0 \leq f \leq 255$   
 $d \in [0, 1]$   
 $a \in [0, 1]$

Operation:  $(f\langle n \rangle) \rightarrow \text{dest}\langle n + 1 \rangle$ ,  
 $(f\langle 7 \rangle) \rightarrow \text{dest}\langle 0 \rangle$

Status Affected: N, Z

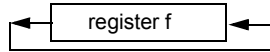
Encoding: 

|      |      |      |      |
|------|------|------|------|
| 0100 | 01da | ffff | ffff |
|------|------|------|------|

Description: The contents of register 'f' are rotated one bit to the left. If 'd' is '0', the result is placed in W. If 'd' is '1', the result is stored back in register 'f'.

If 'a' is '0', the Access Bank is selected. If 'a' is '1', the BSR is used to select the GPR bank.

If 'a' is '0' and the extended instruction set is enabled, this instruction operates in Indexed Literal Offset Addressing mode whenever  $f \leq 95$  (5Fh). See [Section 29.2.3 "Byte-Oriented and Bit-Oriented Instructions in Indexed Literal Offset Mode"](#) for details.



Words: 1

Cycles: 1

Q Cycle Activity:

| Q1     | Q2                | Q3           | Q4                   |
|--------|-------------------|--------------|----------------------|
| Decode | Read register 'f' | Process Data | Write to destination |

**Example:** RLNCF REG, 1, 0

Before Instruction  
 REG = 1010 1011

After Instruction  
 REG = 0101 0111

## RRCF Rotate Right f through Carry

Syntax: RRCF f{,d{,a}}

Operands:  $0 \leq f \leq 255$   
 $d \in [0, 1]$   
 $a \in [0, 1]$

Operation:  $(f\langle n \rangle) \rightarrow \text{dest}\langle n - 1 \rangle$ ,  
 $(f\langle 0 \rangle) \rightarrow C$ ,  
 $(C) \rightarrow \text{dest}\langle 7 \rangle$

Status Affected: C, N, Z

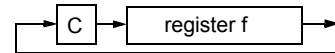
Encoding: 

|      |      |      |      |
|------|------|------|------|
| 0011 | 00da | ffff | ffff |
|------|------|------|------|

Description: The contents of register 'f' are rotated one bit to the right through the Carry flag. If 'd' is '0', the result is placed in W. If 'd' is '1', the result is placed back in register 'f'.

If 'a' is '0', the Access Bank is selected. If 'a' is '1', the BSR is used to select the GPR bank.

If 'a' is '0' and the extended instruction set is enabled, this instruction operates in Indexed Literal Offset Addressing mode whenever  $f \leq 95$  (5Fh). See [Section 29.2.3 "Byte-Oriented and Bit-Oriented Instructions in Indexed Literal Offset Mode"](#) for details.



Words: 1

Cycles: 1

Q Cycle Activity:

| Q1     | Q2                | Q3           | Q4                   |
|--------|-------------------|--------------|----------------------|
| Decode | Read register 'f' | Process Data | Write to destination |

**Example:** RRCF REG, 0, 0

Before Instruction  
 REG = 1110 0110  
 C = 0

After Instruction  
 REG = 1110 0110  
 W = 0111 0011  
 C = 0

# PIC18F87K90 FAMILY

**RRNCF**      **Rotate Right f (No Carry)**

---

Syntax:            RRNCF f {,d {,a}}

Operands:         $0 \leq f \leq 255$   
 $d \in [0, 1]$   
 $a \in [0, 1]$

Operation:         $(f < n) \rightarrow \text{dest} < n - 1 >$ ,  
 $(f < 0) \rightarrow \text{dest} < 7 >$

Status Affected:    N, Z

Encoding:        

|      |      |      |      |
|------|------|------|------|
| 0100 | 00da | ffff | ffff |
|------|------|------|------|

Description:      The contents of register 'f' are rotated one bit to the right. If 'd' is '0', the result is placed in W. If 'd' is '1', the result is placed back in register 'f'.

                    If 'a' is '0', the Access Bank will be selected, overriding the BSR value. If 'a' is '1', then the bank will be selected as per the BSR value.

                    If 'a' is '0' and the extended instruction set is enabled, this instruction operates in Indexed Literal Offset Addressing mode whenever  $f \leq 95$  (5Fh). See [Section 29.2.3 "Byte-Oriented and Bit-Oriented Instructions in Indexed Literal Offset Mode"](#) for details.

Words:            1

Cycles:           1

Q Cycle Activity:

| Q1     | Q2                | Q3           | Q4                   |
|--------|-------------------|--------------|----------------------|
| Decode | Read register 'f' | Process Data | Write to destination |

**Example 1:**            RRNCF REG, 1, 0

Before Instruction  
REG = 1101 0111  
After Instruction  
REG = 1110 1011

**Example 2:**            RRNCF REG, 0, 0

Before Instruction  
W = ?  
REG = 1101 0111  
After Instruction  
W = 1110 1011  
REG = 1101 0111

**SETF**            **Set f**

---

Syntax:            SETF f {,a}

Operands:         $0 \leq f \leq 255$   
 $a \in [0, 1]$

Operation:         $\text{FFh} \rightarrow f$

Status Affected:    None

Encoding:        

|      |      |      |      |
|------|------|------|------|
| 0110 | 100a | ffff | ffff |
|------|------|------|------|

Description:      The contents of the specified register are set to FFh.

                    If 'a' is '0', the Access Bank is selected. If 'a' is '1', the BSR is used to select the GPR bank.

                    If 'a' is '0' and the extended instruction set is enabled, this instruction operates in Indexed Literal Offset Addressing mode whenever  $f \leq 95$  (5Fh). See [Section 29.2.3 "Byte-Oriented and Bit-Oriented Instructions in Indexed Literal Offset Mode"](#) for details.

Words:            1

Cycles:           1

Q Cycle Activity:

| Q1     | Q2                | Q3           | Q4                 |
|--------|-------------------|--------------|--------------------|
| Decode | Read register 'f' | Process Data | Write register 'f' |

**Example:**            SETF REG, 1

Before Instruction  
REG = 5Ah  
After Instruction  
REG = FFh

# PIC18F87K90 FAMILY

## SLEEP Enter Sleep Mode

Syntax: SLEEP

Operands: None

Operation: 00h → WDT,  
0 → WDT postscaler,  
1 →  $\overline{TO}$ ,  
0 → PD

Status Affected:  $\overline{TO}$ , PD

Encoding: 

|      |      |      |      |
|------|------|------|------|
| 0000 | 0000 | 0000 | 0011 |
|------|------|------|------|

Description: The Power-Down status bit (PD) is cleared. The Time-out status bit ( $\overline{TO}$ ) is set. The Watchdog Timer and its postscaler are cleared.

The processor is put into Sleep mode with the oscillator stopped.

Words: 1

Cycles: 1

Q Cycle Activity:

| Q1     | Q2           | Q3           | Q4          |
|--------|--------------|--------------|-------------|
| Decode | No operation | Process Data | Go to Sleep |

**Example:** SLEEP

Before Instruction

$\overline{TO}$  = ?  
PD = ?

After Instruction

$\overline{TO}$  = 1 †  
PD = 0

† If WDT causes wake-up, this bit is cleared.

## SUBFWB Subtract f from W with Borrow

Syntax: SUBFWB f {,d {,a}}

Operands:  $0 \leq f \leq 255$   
 $d \in [0, 1]$   
 $a \in [0, 1]$

Operation:  $(W) - (f) - (\overline{C}) \rightarrow \text{dest}$

Status Affected: N, OV, C, DC, Z

Encoding: 

|      |      |      |      |
|------|------|------|------|
| 0101 | 01da | ffff | ffff |
|------|------|------|------|

Description: Subtract register 'f' and Carry flag (borrow) from W (2's complement method). If 'd' is '0', the result is stored in W. If 'd' is '1', the result is stored in register 'f'.

If 'a' is '0', the Access Bank is selected. If 'a' is '1', the BSR is used to select the GPR bank.

If 'a' is '0' and the extended instruction set is enabled, this instruction operates in Indexed Literal Offset Addressing mode whenever  $f \leq 95$  (5Fh). See

[Section 29.2.3 "Byte-Oriented and Bit-Oriented Instructions in Indexed Literal Offset Mode"](#) for details.

Words: 1

Cycles: 1

Q Cycle Activity:

| Q1     | Q2                | Q3           | Q4                   |
|--------|-------------------|--------------|----------------------|
| Decode | Read register 'f' | Process Data | Write to destination |

**Example 1:** SUBFWB REG, 1, 0

Before Instruction

REG = 3  
W = 2  
C = 1

After Instruction

REG = FF  
W = 2  
C = 0  
Z = 0  
N = 1 ; result is negative

**Example 2:** SUBFWB REG, 0, 0

Before Instruction

REG = 2  
W = 5  
C = 1

After Instruction

REG = 2  
W = 3  
C = 1  
Z = 0  
N = 0 ; result is positive

**Example 3:** SUBFWB REG, 1, 0

Before Instruction

REG = 1  
W = 2  
C = 0

After Instruction

REG = 0  
W = 2  
C = 1  
Z = 1 ; result is zero  
N = 0

# PIC18F87K90 FAMILY

**SUBLW**                      **Subtract W from Literal**

---

Syntax:                      SUBLW k

Operands:                     $0 \leq k \leq 255$

Operation:                    $k - (W) \rightarrow W$

Status Affected:            N, OV, C, DC, Z

Encoding:                   

|      |      |      |      |
|------|------|------|------|
| 0000 | 1000 | kkkk | kkkk |
|------|------|------|------|

Description:                W is subtracted from the 8-bit literal 'k'. The result is placed in W.

Words:                        1

Cycles:                        1

Q Cycle Activity:

| Q1     | Q2                  | Q3              | Q4            |
|--------|---------------------|-----------------|---------------|
| Decode | Read<br>literal 'k' | Process<br>Data | Write to<br>W |

**Example 1:**                      SUBLW 02h

Before Instruction

W = 01h  
C = ?

After Instruction

W = 01h  
C = 1 ; result is positive  
Z = 0  
N = 0

**Example 2:**                      SUBLW 02h

Before Instruction

W = 02h  
C = ?

After Instruction

W = 00h  
C = 1 ; result is zero  
Z = 1  
N = 0

**Example 3:**                      SUBLW 02h

Before Instruction

W = 03h  
C = ?

After Instruction

W = FFh ; (2's complement)  
C = 0 ; result is negative  
Z = 0  
N = 1

**SUBWF**                      **Subtract W from f**

---

Syntax:                      SUBWF f{,d{,a}}

Operands:                     $0 \leq f \leq 255$   
 $d \in [0, 1]$   
 $a \in [0, 1]$

Operation:                     $(f) - (W) \rightarrow \text{dest}$

Status Affected:            N, OV, C, DC, Z

Encoding:                   

|      |      |      |      |
|------|------|------|------|
| 0101 | 11da | ffff | ffff |
|------|------|------|------|

Description:                Subtract W from register 'f' (2's complement method). If 'd' is '0', the result is stored in W. If 'd' is '1', the result is stored back in register 'f'.

If 'a' is '0', the Access Bank is selected. If 'a' is '1', the BSR is used to select the GPR bank.

If 'a' is '0' and the extended instruction set is enabled, this instruction operates in Indexed Literal Offset Addressing mode whenever  $f \leq 95$  (5Fh). See [Section 29.2.3 "Byte-Oriented and Bit-Oriented Instructions in Indexed Literal Offset Mode"](#) for details.

Words:                        1

Cycles:                        1

Q Cycle Activity:

| Q1     | Q2                   | Q3              | Q4                      |
|--------|----------------------|-----------------|-------------------------|
| Decode | Read<br>register 'f' | Process<br>Data | Write to<br>destination |

**Example 1:**                      SUBWF REG, 1, 0

Before Instruction

REG = 3  
W = 2  
C = ?

After Instruction

REG = 1  
W = 2  
C = 1 ; result is positive  
Z = 0  
N = 0

**Example 2:**                      SUBWF REG, 0, 0

Before Instruction

REG = 2  
W = 2  
C = ?

After Instruction

REG = 2  
W = 0  
C = 1 ; result is zero  
Z = 1  
N = 0

**Example 3:**                      SUBWF REG, 1, 0

Before Instruction

REG = 1  
W = 2  
C = ?

After Instruction

REG = FFh ; (2's complement)  
W = 2  
C = 0 ; result is negative  
Z = 0  
N = 1

# PIC18F87K90 FAMILY

## SUBWFB Subtract W from f with Borrow

**Syntax:** SUBWFB f{,d{,a}}

**Operands:**  $0 \leq f \leq 255$   
 $d \in [0, 1]$   
 $a \in [0, 1]$

**Operation:**  $(f) - (W) - (\overline{C}) \rightarrow \text{dest}$

**Status Affected:** N, OV, C, DC, Z

**Encoding:**

|      |      |      |      |
|------|------|------|------|
| 0101 | 10da | ffff | ffff |
|------|------|------|------|

**Description:** Subtract W and the Carry flag (borrow) from register 'f' (2's complement method). If 'd' is '0', the result is stored in W. If 'd' is '1', the result is stored back in register 'f'.  
 If 'a' is '0', the Access Bank is selected. If 'a' is '1', the BSR is used to select the GPR bank.  
 If 'a' is '0' and the extended instruction set is enabled, this instruction operates in Indexed Literal Offset Addressing mode whenever  $f \leq 95$  (5Fh). See [Section 29.2.3 "Byte-Oriented and Bit-Oriented Instructions in Indexed Literal Offset Mode"](#) for details.

**Words:** 1  
**Cycles:** 1  
**Q Cycle Activity:**

| Q1     | Q2                | Q3           | Q4                   |
|--------|-------------------|--------------|----------------------|
| Decode | Read register 'f' | Process Data | Write to destination |

**Example 1:** SUBWFB REG, 1, 0

**Before Instruction**  
 REG = 19h (0001 1001)  
 W = 0Dh (0000 1101)  
 C = 1

**After Instruction**  
 REG = 0Ch (0000 1011)  
 W = 0Dh (0000 1101)  
 C = 1  
 Z = 0  
 N = 0 ; result is positive

**Example 2:** SUBWFB REG, 0, 0

**Before Instruction**  
 REG = 1Bh (0001 1011)  
 W = 1Ah (0001 1010)  
 C = 0

**After Instruction**  
 REG = 1Bh (0001 1011)  
 W = 00h  
 C = 1  
 Z = 1 ; result is zero  
 N = 0

**Example 3:** SUBWFB REG, 1, 0

**Before Instruction**  
 REG = 03h (0000 0011)  
 W = 0Eh (0000 1101)  
 C = 1

**After Instruction**  
 REG = F5h (1111 0100)  
 ; [2's comp]  
 W = 0Eh (0000 1101)  
 C = 0  
 Z = 0  
 N = 1 ; result is negative

## SWAPF Swap f

**Syntax:** SWAPF f{,d{,a}}

**Operands:**  $0 \leq f \leq 255$   
 $d \in [0, 1]$   
 $a \in [0, 1]$

**Operation:**  $(f<3:0>) \rightarrow \text{dest}<7:4>$ ,  
 $(f<7:4>) \rightarrow \text{dest}<3:0>$

**Status Affected:** None

**Encoding:**

|      |      |      |      |
|------|------|------|------|
| 0011 | 10da | ffff | ffff |
|------|------|------|------|

**Description:** The upper and lower nibbles of register 'f' are exchanged. If 'd' is '0', the result is placed in W. If 'd' is '1', the result is placed in register 'f'.  
 If 'a' is '0', the Access Bank is selected. If 'a' is '1', the BSR is used to select the GPR bank.  
 If 'a' is '0' and the extended instruction set is enabled, this instruction operates in Indexed Literal Offset Addressing mode whenever  $f \leq 95$  (5Fh). See [Section 29.2.3 "Byte-Oriented and Bit-Oriented Instructions in Indexed Literal Offset Mode"](#) for details.

**Words:** 1  
**Cycles:** 1  
**Q Cycle Activity:**

| Q1     | Q2                | Q3           | Q4                   |
|--------|-------------------|--------------|----------------------|
| Decode | Read register 'f' | Process Data | Write to destination |

**Example:** SWAPF REG, 1, 0

**Before Instruction**  
 REG = 53h

**After Instruction**  
 REG = 35h



# PIC18F87K90 FAMILY

**TBLRD Table Read**

Syntax: TBLRD (\*; \*+; \*-; +\*)

Operands: None

Operation: if TBLRD \*,  
(Prog Mem (TBLPTR)) → TABLAT,  
TBLPTR – No Change;  
if TBLRD \*+,  
(Prog Mem (TBLPTR)) → TABLAT,  
(TBLPTR) + 1 → TBLPTR;  
if TBLRD \*-,  
(Prog Mem (TBLPTR)) → TABLAT,  
(TBLPTR) – 1 → TBLPTR;  
if TBLRD +\*,  
(TBLPTR) + 1 → TBLPTR,  
(Prog Mem (TBLPTR)) → TABLAT

Status Affected: None

Encoding:

|      |      |      |   |
|------|------|------|---|
| 0000 | 0000 | 0000 | 10nn<br>nn=0 *<br>=1 *+<br>=2 *-<br>=3 +* |
|------|------|------|---|

Description: This instruction is used to read the contents of Program Memory (P.M.). To address the program memory, a pointer called Table Pointer (TBLPTR) is used.

The TBLPTR (a 21-bit pointer) points to each byte in the program memory. TBLPTR has a 2-Mbyte address range.

TBLPTR<0> = 0:Least Significant Byte of Program Memory Word

TBLPTR<0> = 1:Most Significant Byte of Program Memory Word

The TBLRD instruction can modify the value of TBLPTR as follows:

- no change
- post-increment
- post-decrement
- pre-increment

Words: 1

Cycles: 2

Q Cycle Activity:

|              | Q1           | Q2                                 | Q3           | Q4                          |
|--------------|--------------|------------------------------------|--------------|-----------------------------|
| Decode       | No operation | No operation                       | No operation | No operation                |
| No operation | No operation | No operation (Read Program Memory) | No operation | No operation (Write TABLAT) |

**TBLRD Table Read (Continued)**

Example 1: TBLRD \*+ ;

Before Instruction

|                 |   |         |
|-----------------|---|---------|
| TABLAT          | = | 55h     |
| TBLPTR          | = | 00A356h |
| MEMORY(00A356h) | = | 34h     |

After Instruction

|        |   |         |
|--------|---|---------|
| TABLAT | = | 34h     |
| TBLPTR | = | 00A357h |

Example 2: TBLRD \*+ ;

Before Instruction

|                 |   |         |
|-----------------|---|---------|
| TABLAT          | = | AAh     |
| TBLPTR          | = | 01A357h |
| MEMORY(01A357h) | = | 12h     |
| MEMORY(01A358h) | = | 34h     |

After Instruction

|        |   |         |
|--------|---|---------|
| TABLAT | = | 34h     |
| TBLPTR | = | 01A358h |

# PIC18F87K90 FAMILY

## TBLWT Table Write

**Syntax:** TBLWT (\*; \*\*; \*-\*; \*\*\*)

**Operands:** None

**Operation:** if TBLWT\*,  
(TABLAT) → Holding Register,  
TBLPTR – No Change;  
if TBLWT\*\*+,  
(TABLAT) → Holding Register,  
(TBLPTR) + 1 → TBLPTR;  
if TBLWT\*-,  
(TABLAT) → Holding Register,  
(TBLPTR) – 1 → TBLPTR;  
if TBLWT\*\*\*,  
(TBLPTR) + 1 → TBLPTR,  
(TABLAT) → Holding Register

**Status Affected:** None

**Encoding:**

|      |      |      |  |
|------|------|------|--|
| 0000 | 0000 | 0000 | 11nn<br>nn=0 *<br>=1 **<br>=2 *-<br>=3 *** |
|------|------|------|--|

**Description:** This instruction uses the 3 LSBs of TBLPTR to determine which of the 8 holding registers the TABLAT is written to. The holding registers are used to program the contents of Program Memory (P.M.). (Refer to [Section 6.0 "Memory Organization"](#) for additional details on programming Flash memory.)

The TBLPTR (a 21-bit pointer) points to each byte in the program memory. TBLPTR has a 2-Mbyte address range. The LSb of the TBLPTR selects which byte of the program memory location to access.

TBLPTR<0> = 0: Least Significant Byte of Program Memory Word

TBLPTR<0> = 1: Most Significant Byte of Program Memory Word

The TBLWT instruction can modify the value of TBLPTR as follows:

- no change
- post-increment
- post-decrement
- pre-increment

**Words:** 1

**Cycles:** 2

**Q Cycle Activity:**

|              | Q1           | Q2                         | Q3           | Q4                                       |
|--------------|--------------|----------------------------|--------------|--|
| Decode       | No operation | No operation               | No operation | No operation                             |
| No operation | No operation | No operation (Read TABLAT) | No operation | No operation (Write to Holding Register) |

## TBLWT Table Write (Continued)

**Example 1:** TBLWT \*\*+;

Before Instruction

|                            |   |         |
|----------------------------|---|---------|
| TABLAT                     | = | 55h     |
| TBLPTR                     | = | 00A356h |
| HOLDING REGISTER (00A356h) | = | FFh     |

After Instructions (table write completion)

|                            |   |         |
|----------------------------|---|---------|
| TABLAT                     | = | 55h     |
| TBLPTR                     | = | 00A357h |
| HOLDING REGISTER (00A356h) | = | 55h     |

**Example 2:** TBLWT \*\*+;

Before Instruction

|                            |   |         |
|----------------------------|---|---------|
| TABLAT                     | = | 34h     |
| TBLPTR                     | = | 01389Ah |
| HOLDING REGISTER (01389Ah) | = | FFh     |
| HOLDING REGISTER (01389Bh) | = | FFh     |

After Instruction (table write completion)

|                            |   |         |
|----------------------------|---|---------|
| TABLAT                     | = | 34h     |
| TBLPTR                     | = | 01389Bh |
| HOLDING REGISTER (01389Ah) | = | FFh     |
| HOLDING REGISTER (01389Bh) | = | 34h     |

# PIC18F87K90 FAMILY

**TSTFSZ**      **Test f, Skip if 0**

---

Syntax:            TSTFSZ f {,a}

Operands:         $0 \leq f \leq 255$   
 $a \in [0, 1]$

Operation:        skip if  $f = 0$

Status Affected:    None

Encoding:        

|      |      |      |      |
|------|------|------|------|
| 0110 | 011a | ffff | ffff |
|------|------|------|------|

Description:      If 'f' = 0, the next instruction fetched during the current instruction execution is discarded and a NOP is executed, making this a two-cycle instruction.

                    If 'a' is '0', the Access Bank is selected. If 'a' is '1', the BSR is used to select the GPR bank.

                    If 'a' is '0' and the extended instruction set is enabled, this instruction operates in Indexed Literal Offset Addressing mode whenever  $f \leq 95$  (5Fh). See [Section 29.2.3 "Byte-Oriented and Bit-Oriented Instructions in Indexed Literal Offset Mode"](#) for details.

Words:            1

Cycles:            1(2)  
**Note:** 3 cycles if skip and followed by a 2-word instruction.

Q Cycle Activity:

| Q1     | Q2                | Q3           | Q4           |
|--------|-------------------|--------------|--------------|
| Decode | Read register 'f' | Process Data | No operation |

If skip:

| Q1           | Q2           | Q3           | Q4           |
|--------------|--------------|--------------|--------------|
| No operation | No operation | No operation | No operation |

If skip and followed by 2-word instruction:

| Q1           | Q2           | Q3           | Q4           |
|--------------|--------------|--------------|--------------|
| No operation | No operation | No operation | No operation |
| No operation | No operation | No operation | No operation |

**Example:**

```

HERE    TSTFSZ   CNT, 1
NZERO   :
ZERO    :
```

Before Instruction

PC = Address (HERE)

After Instruction

```

If CNT = 00h,
PC = Address (ZERO)
If CNT ≠ 00h,
PC = Address (NZERO)
```

**XORLW**      **Exclusive OR Literal with W**

---

Syntax:            XORLW k

Operands:         $0 \leq k \leq 255$

Operation:        (W) .XOR. k → W

Status Affected:    N, Z

Encoding:        

|      |      |      |      |
|------|------|------|------|
| 0000 | 1010 | kkkk | kkkk |
|------|------|------|------|

Description:      The contents of W are XORed with the 8-bit literal 'k'. The result is placed in W.

Words:            1

Cycles:            1

Q Cycle Activity:

| Q1     | Q2               | Q3           | Q4         |
|--------|------------------|--------------|------------|
| Decode | Read literal 'k' | Process Data | Write to W |

**Example:**            XORLW    0AFh

Before Instruction

W = B5h

After Instruction

W = 1Ah

# PIC18F87K90 FAMILY

---

## XORWF Exclusive OR W with f

---

Syntax: XORWF f {,d {,a}}

Operands:  $0 \leq f \leq 255$   
 $d \in [0, 1]$   
 $a \in [0, 1]$

Operation: (W) .XOR. (f) → dest

Status Affected: N, Z

Encoding: 

|      |      |      |      |
|------|------|------|------|
| 0001 | 10da | ffff | ffff |
|------|------|------|------|

Description: Exclusive OR the contents of W with register 'f'. If 'd' is '0', the result is stored in W. If 'd' is '1', the result is stored back in the register 'f'.

If 'a' is '0', the Access Bank is selected.  
If 'a' is '1', the BSR is used to select the GPR bank.

If 'a' is '0' and the extended instruction set is enabled, this instruction operates in Indexed Literal Offset Addressing mode whenever  $f \leq 95$  (5Fh). See [Section 29.2.3 "Byte-Oriented and Bit-Oriented Instructions in Indexed Literal Offset Mode"](#) for details.

Words: 1

Cycles: 1

Q Cycle Activity:

| Q1     | Q2                | Q3           | Q4                   |
|--------|-------------------|--------------|----------------------|
| Decode | Read register 'f' | Process Data | Write to destination |

Example: XORWF REG, 1, 0

Before Instruction

REG = AFh  
W = B5h

After Instruction

REG = 1Ah  
W = B5h

# PIC18F87K90 FAMILY

## 29.2 Extended Instruction Set

In addition to the standard 75 instructions of the PIC18 instruction set, the PIC18F87K90 family of devices also provides an optional extension to the core CPU functionality. The added features include eight additional instructions that augment Indirect and Indexed Addressing operations and the implementation of Indexed Literal Offset Addressing for many of the standard PIC18 instructions.

The additional features of the extended instruction set are enabled by default on unprogrammed devices. Users must properly set or clear the XINST Configuration bit during programming to enable or disable these features.

The instructions in the extended set can all be classified as literal operations, which either manipulate the File Select Registers, or use them for Indexed Addressing. Two of the instructions, `ADDFSR` and `SUBFSR`, each have an additional special instantiation for using FSR2. These versions (`ADDULNK` and `SUBULNK`) allow for automatic return after execution.

The extended instructions are specifically implemented to optimize re-entrant program code (that is, code that is recursive or that uses a software stack) written in high-level languages, particularly C. Among other things, they allow users working in high-level languages to perform certain operations on data structures more efficiently. These include:

- Dynamic allocation and deallocation of software stack space when entering and leaving subroutines
- Function Pointer invocation
- Software Stack Pointer manipulation
- Manipulation of variables located in a software stack

A summary of the instructions in the extended instruction set is provided in [Table 29-3](#). Detailed descriptions are provided in [Section 29.2.2 “Extended Instruction Set”](#). The opcode field descriptions in [Table 29-1](#) (page 452) apply to both the standard and extended PIC18 instruction sets.

**Note:** The instruction set extension and the Indexed Literal Offset Addressing mode were designed for optimizing applications written in C; the user may likely never use these instructions directly in assembler. The syntax for these commands is provided as a reference for users who may be reviewing code that has been generated by a compiler.

### 29.2.1 EXTENDED INSTRUCTION SYNTAX

Most of the extended instructions use indexed arguments, using one of the File Select Registers and some offset to specify a source or destination register. When an argument for an instruction serves as part of Indexed Addressing, it is enclosed in square brackets (“[ ]”). This is done to indicate that the argument is used as an index or offset. The MPASM™ Assembler will flag an error if it determines that an index or offset value is not bracketed.

When the extended instruction set is enabled, brackets are also used to indicate index arguments in byte-oriented and bit-oriented instructions. This is in addition to other changes in their syntax. For more details, see [Section 29.2.3.1 “Extended Instruction Syntax with Standard PIC18 Commands”](#).

**Note:** In the past, square brackets have been used to denote optional arguments in the PIC18 and earlier instruction sets. In this text and going forward, optional arguments are denoted by braces (“{ }”).

**TABLE 29-3: EXTENSIONS TO THE PIC18 INSTRUCTION SET**

| Mnemonic,<br>Operands                              | Description   | Cycles | 16-Bit Instruction Word |      |      |      | Status<br>Affected |
|--|---|--------|-------------------------|------|------|------|--------------------|
|  |   |        | MSb                     |      | LSb  |      |                    |
| <code>ADDFSR</code> f, k                           | Add Literal to FSR  | 1      | 1110                    | 1000 | ffkk | kkkk | None               |
| <code>ADDULNK</code> k                             | Add Literal to FSR2 and Return  | 2      | 1110                    | 1000 | 11kk | kkkk | None               |
| <code>CALLW</code>                                 | Call Subroutine using WREG  | 2      | 0000                    | 0000 | 0001 | 0100 | None               |
| <code>MOVSF</code> z <sub>s</sub> , f <sub>d</sub> | Move z <sub>s</sub> (source) to 1st word<br>f <sub>d</sub> (destination) 2nd word | 2      | 1110                    | 1011 | 0zzz | zzzz | None               |
| <code>MOVSS</code> z <sub>s</sub> , z <sub>d</sub> | Move z <sub>s</sub> (source) to 1st word<br>z <sub>d</sub> (destination) 2nd word | 2      | 1110                    | 1011 | 1zzz | zzzz | None               |
| <code>PUSHL</code> k                               | Store Literal at FSR2,<br>Decrement FSR2  | 1      | 1110                    | 1010 | kkkk | kkkk | None               |
| <code>SUBFSR</code> f, k                           | Subtract Literal from FSR   | 1      | 1110                    | 1001 | ffkk | kkkk | None               |
| <code>SUBULNK</code> k                             | Subtract Literal from FSR2 and<br>Return  | 2      | 1110                    | 1001 | 11kk | kkkk | None               |

# PIC18F87K90 FAMILY

## 29.2.2 EXTENDED INSTRUCTION SET

| ADDFSR            | Add Literal to FSR  |              |              |      |      |        |                  |              |              |
|-------------------|---|--------------|--------------|------|------|--------|------------------|--------------|--------------|
| Syntax:           | ADDFSR f, k   |              |              |      |      |        |                  |              |              |
| Operands:         | $0 \leq k \leq 63$<br>$f \in [0, 1, 2]$   |              |              |      |      |        |                  |              |              |
| Operation:        | $FSR(f) + k \rightarrow FSR(f)$   |              |              |      |      |        |                  |              |              |
| Status Affected:  | None  |              |              |      |      |        |                  |              |              |
| Encoding:         | <table border="1" style="display: inline-table;"><tr><td>1110</td><td>1000</td><td>ffkk</td><td>kkkk</td></tr></table>  | 1110         | 1000         | ffkk | kkkk |        |                  |              |              |
| 1110              | 1000  | ffkk         | kkkk         |      |      |        |                  |              |              |
| Description:      | The 6-bit literal 'k' is added to the contents of the FSR specified by 'f'.   |              |              |      |      |        |                  |              |              |
| Words:            | 1   |              |              |      |      |        |                  |              |              |
| Cycles:           | 1   |              |              |      |      |        |                  |              |              |
| Q Cycle Activity: |   |              |              |      |      |        |                  |              |              |
|                   | <table border="1" style="display: inline-table;"><thead><tr><th>Q1</th><th>Q2</th><th>Q3</th><th>Q4</th></tr></thead><tbody><tr><td>Decode</td><td>Read literal 'k'</td><td>Process Data</td><td>Write to FSR</td></tr></tbody></table> | Q1           | Q2           | Q3   | Q4   | Decode | Read literal 'k' | Process Data | Write to FSR |
| Q1                | Q2  | Q3           | Q4           |      |      |        |                  |              |              |
| Decode            | Read literal 'k'  | Process Data | Write to FSR |      |      |        |                  |              |              |

**Example:**           ADDFSR 2, 23h

Before Instruction  
FSR2 = 03FFh  
After Instruction  
FSR2 = 0422h

| ADDLNLK           | Add Literal to FSR2 and Return  |              |              |      |      |        |                  |              |              |              |              |              |              |
|-------------------|---|--------------|--------------|------|------|--------|------------------|--------------|--------------|--------------|--------------|--------------|--------------|
| Syntax:           | ADDLNLK k   |              |              |      |      |        |                  |              |              |              |              |              |              |
| Operands:         | $0 \leq k \leq 63$  |              |              |      |      |        |                  |              |              |              |              |              |              |
| Operation:        | $FSR2 + k \rightarrow FSR2,$<br>(TOS) $\rightarrow$ PC  |              |              |      |      |        |                  |              |              |              |              |              |              |
| Status Affected:  | None  |              |              |      |      |        |                  |              |              |              |              |              |              |
| Encoding:         | <table border="1" style="display: inline-table;"><tr><td>1110</td><td>1000</td><td>11kk</td><td>kkkk</td></tr></table>  | 1110         | 1000         | 11kk | kkkk |        |                  |              |              |              |              |              |              |
| 1110              | 1000  | 11kk         | kkkk         |      |      |        |                  |              |              |              |              |              |              |
| Description:      | The 6-bit literal 'k' is added to the contents of FSR2. A RETURN is then executed by loading the PC with the TOS.<br><br>The instruction takes two cycles to execute; a NOP is performed during the second cycle.<br><br>This may be thought of as a special case of the ADDFSR instruction, where $f = 3$ (binary '11'); it operates only on FSR2. |              |              |      |      |        |                  |              |              |              |              |              |              |
| Words:            | 1   |              |              |      |      |        |                  |              |              |              |              |              |              |
| Cycles:           | 2   |              |              |      |      |        |                  |              |              |              |              |              |              |
| Q Cycle Activity: |   |              |              |      |      |        |                  |              |              |              |              |              |              |
|                   | <table border="1" style="display: inline-table;"><thead><tr><th>Q1</th><th>Q2</th><th>Q3</th><th>Q4</th></tr></thead><tbody><tr><td>Decode</td><td>Read literal 'k'</td><td>Process Data</td><td>Write to FSR</td></tr><tr><td>No Operation</td><td>No Operation</td><td>No Operation</td><td>No Operation</td></tr></tbody></table>                | Q1           | Q2           | Q3   | Q4   | Decode | Read literal 'k' | Process Data | Write to FSR | No Operation | No Operation | No Operation | No Operation |
| Q1                | Q2  | Q3           | Q4           |      |      |        |                  |              |              |              |              |              |              |
| Decode            | Read literal 'k'  | Process Data | Write to FSR |      |      |        |                  |              |              |              |              |              |              |
| No Operation      | No Operation  | No Operation | No Operation |      |      |        |                  |              |              |              |              |              |              |

**Example:**           ADDLNLK 23h

Before Instruction  
FSR2 = 03FFh  
PC = 0100h  
After Instruction  
FSR2 = 0422h  
PC = (TOS)

**Note:** All PIC18 instructions may take an optional label argument preceding the instruction mnemonic for use in symbolic addressing. If a label is used, the instruction format then becomes: {label} instruction argument(s).

# PIC18F87K90 FAMILY

**CALLW**                      **Subroutine Call Using WREG**

---

Syntax:                      CALLW

Operands:                    None

Operation:                    (PC + 2) → TOS,  
(W) → PCL,  
(PCLATH) → PCH,  
(PCLATU) → PCU

Status Affected:            None

Encoding:                    

|      |      |      |      |
|------|------|------|------|
| 0000 | 0000 | 0001 | 0100 |
|------|------|------|------|

Description                    First, the return address (PC + 2) is pushed onto the return stack. Next, the contents of W are written to PCL; the existing value is discarded. Then, the contents of PCLATH and PCLATU are latched into PCH and PCU, respectively. The second cycle is executed as a NOP instruction while the new next instruction is fetched.

                                  Unlike CALL, there is no option to update W, STATUS or BSR.

Words:                        1

Cycles:                       2

Q Cycle Activity:

| Q1           | Q2           | Q3               | Q4           |
|--------------|--------------|------------------|--------------|
| Decode       | Read WREG    | Push PC to stack | No operation |
| No operation | No operation | No operation     | No operation |

**Example:**                    HERE                    CALLW

Before Instruction

PC                    =    address (HERE)  
PCLATH =    10h  
PCLATU =    00h  
W                    =    06h

After Instruction

PC                    =    001006h  
TOS                    =    address (HERE + 2)  
PCLATH =    10h  
PCLATU =    00h  
W                    =    06h

**MOVSF**                      **Move Indexed to f**

---

Syntax:                      MOVSF [z<sub>s</sub>], f<sub>d</sub>

Operands:                    0 ≤ z<sub>s</sub> ≤ 127  
0 ≤ f<sub>d</sub> ≤ 4095

Operation:                    ((FSR2) + z<sub>s</sub>) → f<sub>d</sub>

Status Affected:            None

Encoding:                    

|      |      |      |                   |
|------|------|------|-------------------|
| 1110 | 1011 | 0zzz | zzzz <sub>s</sub> |
| 1111 | ffff | ffff | ffff <sub>d</sub> |

Description:                    The contents of the source register are moved to destination register 'f<sub>d</sub>'. The actual address of the source register is determined by adding the 7-bit literal offset 'z<sub>s</sub>', in the first word, to the value of FSR2. The address of the destination register is specified by the 12-bit literal 'f<sub>d</sub>' in the second word. Both addresses can be anywhere in the 4096-byte data space (000h to FFFh).

The MOVSF instruction cannot use the PCL, TOSU, TOSH or TOSL as the destination register.

If the resultant source address points to an Indirect Addressing register, the value returned will be 00h.

Words:                        2

Cycles:                       2

Q Cycle Activity:

| Q1     | Q2                            | Q3                    | Q4                        |
|--------|-------------------------------|-----------------------|---------------------------|
| Decode | Determine source addr         | Determine source addr | Read source reg           |
| Decode | No operation<br>No dummy read | No operation          | Write register 'f' (dest) |

**Example:**                    MOVSF [05h], REG2

Before Instruction

FSR2                    =    80h  
Contents of 85h            =    33h  
REG2                    =    11h

After Instruction

FSR2                    =    80h  
Contents of 85h            =    33h  
REG2                    =    33h

# PIC18F87K90 FAMILY

## MOVSS Move Indexed to Indexed

**Syntax:** MOVSS  $[z_s], [z_d]$

**Operands:**  $0 \leq z_s \leq 127$   
 $0 \leq z_d \leq 127$

**Operation:**  $((FSR2) + z_s) \rightarrow ((FSR2) + z_d)$

**Status Affected:** None

**Encoding:**

|      |      |      |                   |
|------|------|------|-------------------|
| 1110 | 1011 | 1zzz | zzzz <sub>s</sub> |
| 1111 | xxxx | xzzz | zzzz <sub>d</sub> |

**1st word (source)**  
**2nd word (dest.)**

**Description**

The contents of the source register are moved to the destination register. The addresses of the source and destination registers are determined by adding the 7-bit literal offsets, 'z<sub>s</sub>' or 'z<sub>d</sub>', respectively, to the value of FSR2. Both registers can be located anywhere in the 4096-byte data memory space (000h to FFFh).

The MOVSS instruction cannot use the PCL, TOSU, TOSH or TOSL as the destination register.

If the resultant source address points to an Indirect Addressing register, the value returned will be 00h. If the resultant destination address points to an Indirect Addressing register, the instruction will execute as a NOP.

**Words:** 2  
**Cycles:** 2  
**Q Cycle Activity:**

| Q1     | Q2                    | Q3                    | Q4                |
|--------|-----------------------|-----------------------|-------------------|
| Decode | Determine source addr | Determine source addr | Read source reg   |
| Decode | Determine dest addr   | Determine dest addr   | Write to dest reg |

**Example:** MOVSS [05h], [06h]

**Before Instruction**

FSR2 = 80h  
 Contents of 85h = 33h  
 Contents of 86h = 11h

**After Instruction**

FSR2 = 80h  
 Contents of 85h = 33h  
 Contents of 86h = 33h

## PUSHL Store Literal at FSR2, Decrement FSR2

**Syntax:** PUSHL k

**Operands:**  $0 \leq k \leq 255$

**Operation:**  $k \rightarrow (FSR2),$   
 $FSR2 - 1 \rightarrow FSR2$

**Status Affected:** None

**Encoding:**

|      |      |      |      |
|------|------|------|------|
| 1110 | 1010 | kkkk | kkkk |
|------|------|------|------|

**Description:**

The 8-bit literal 'k' is written to the data memory address specified by FSR2. FSR2 is decremented by 1 after the operation.

This instruction allows users to push values onto a software stack.

**Words:** 1  
**Cycles:** 1  
**Q Cycle Activity:**

| Q1     | Q2       | Q3           | Q4                   |
|--------|----------|--------------|----------------------|
| Decode | Read 'k' | Process data | Write to destination |

**Example:** PUSHL 08h

**Before Instruction**

FSR2H:FSR2L = 01ECh  
 Memory (01ECh) = 00h

**After Instruction**

FSR2H:FSR2L = 01EBh  
 Memory (01ECh) = 08h



# PIC18F87K90 FAMILY

## SUBFSR Subtract Literal from FSR

Syntax: SUBFSR f, k  
 Operands:  $0 \leq k \leq 63$   
 $f \in [0, 1, 2]$   
 Operation:  $FSRf - k \rightarrow FSRf$   
 Status Affected: None  
 Encoding: 

|      |      |      |      |
|------|------|------|------|
| 1110 | 1001 | ffkk | kkkk |
|------|------|------|------|

  
 Description: The 6-bit literal 'k' is subtracted from the contents of the FSR specified by 'f'.  
 Words: 1  
 Cycles: 1  
 Q Cycle Activity:

| Q1     | Q2                | Q3           | Q4                   |
|--------|-------------------|--------------|----------------------|
| Decode | Read register 'f' | Process Data | Write to destination |

**Example:** SUBFSR 2, 23h

Before Instruction  
 FSR2 = 03FFh  
 After Instruction  
 FSR2 = 03DCh

## SUBULNK Subtract Literal from FSR2 and Return

Syntax: SUBULNK k  
 Operands:  $0 \leq k \leq 63$   
 Operation:  $FSR2 - k \rightarrow FSR2$ ,  
 (TOS)  $\rightarrow$  PC  
 Status Affected: None  
 Encoding: 

|      |      |      |      |
|------|------|------|------|
| 1110 | 1001 | 11kk | kkkk |
|------|------|------|------|

  
 Description: The 6-bit literal 'k' is subtracted from the contents of the FSR2. A RETURN is then executed by loading the PC with the TOS.  
 The instruction takes two cycles to execute; a NOP is performed during the second cycle.  
 This may be thought of as a special case of the SUBFSR instruction, where  $f = 3$  (binary '11'); it operates only on FSR2.

Words: 1  
 Cycles: 2  
 Q Cycle Activity:

| Q1           | Q2                | Q3           | Q4                   |
|--------------|-------------------|--------------|----------------------|
| Decode       | Read register 'f' | Process Data | Write to destination |
| No Operation | No Operation      | No Operation | No Operation         |

**Example:** SUBULNK 23h

Before Instruction  
 FSR2 = 03FFh  
 PC = 0100h  
 After Instruction  
 FSR2 = 03DCh  
 PC = (TOS)

# PIC18F87K90 FAMILY

---

## 29.2.3 BYTE-ORIENTED AND BIT-ORIENTED INSTRUCTIONS IN INDEXED LITERAL OFFSET MODE

**Note:** Enabling the PIC18 instruction set extension may cause legacy applications to behave erratically or fail entirely.

In addition to eight new commands in the extended set, enabling the extended instruction set also enables Indexed Literal Offset Addressing ([Section 6.6.1 “Indexed Addressing with Literal Offset”](#)). This has a significant impact on the way that many commands of the standard PIC18 instruction set are interpreted.

When the extended set is disabled, addresses embedded in opcodes are treated as literal memory locations: either as a location in the Access Bank ( $a = 0$ ) or in a GPR bank designated by the BSR ( $a = 1$ ). When the extended instruction set is enabled and  $a = 0$ , however, a file register argument of 5Fh or less is interpreted as an offset from the pointer value in FSR2 and not as a literal address. For practical purposes, this means that all instructions that use the Access RAM bit as an argument – that is, all byte-oriented and bit-oriented instructions, or almost half of the core PIC18 instructions – may behave differently when the extended instruction set is enabled.

When the content of FSR2 is 00h, the boundaries of the Access RAM are essentially remapped to their original values. This may be useful in creating backward compatible code. If this technique is used, it may be necessary to save the value of FSR2 and restore it when moving back and forth between C and assembly routines in order to preserve the Stack Pointer. Users must also keep in mind the syntax requirements of the extended instruction set (see [Section 29.2.3.1 “Extended Instruction Syntax with Standard PIC18 Commands”](#)).

Although the Indexed Literal Offset mode can be very useful for dynamic stack and pointer manipulation, it can also be very annoying if a simple arithmetic operation is carried out on the wrong register. Users who are accustomed to the PIC18 programming must keep in mind, that when the extended instruction set is enabled, register addresses of 5Fh or less are used for Indexed Literal Offset Addressing.

Representative examples of typical byte-oriented and bit-oriented instructions in the Indexed Literal Offset mode are provided on the following page to show how execution is affected. The operand conditions shown in the examples are applicable to all instructions of these types.

## 29.2.3.1 Extended Instruction Syntax with Standard PIC18 Commands

When the extended instruction set is enabled, the file register argument, ‘f’, in the standard byte-oriented and bit-oriented commands is replaced with the literal offset value, ‘k’. As already noted, this occurs only when ‘f’ is less than or equal to 5Fh. When an offset value is used, it must be indicated by square brackets (“[ ]”). As with the extended instructions, the use of brackets indicates to the compiler that the value is to be interpreted as an index or an offset. Omitting the brackets, or using a value greater than 5Fh within the brackets, will generate an error in the MPASM™ Assembler.

If the index argument is properly bracketed for Indexed Literal Offset Addressing, the Access RAM argument is never specified; it will automatically be assumed to be ‘0’. This is in contrast to standard operation (extended instruction set disabled), when ‘a’ is set on the basis of the target address. Declaring the Access RAM bit in this mode will also generate an error in the MPASM Assembler.

The destination argument, ‘d’, functions as before.

In the latest versions of the MPASM Assembler, language support for the extended instruction set must be explicitly invoked. This is done with either the command line option, `/y`, or the PE directive in the source listing.

## 29.2.4 CONSIDERATIONS WHEN ENABLING THE EXTENDED INSTRUCTION SET

It is important to note that the extensions to the instruction set may not be beneficial to all users. In particular, users who are not writing code that uses a software stack may not benefit from using the extensions to the instruction set.

Additionally, the Indexed Literal Offset Addressing mode may create issues with legacy applications written to the PIC18 assembler. This is because instructions in the legacy code may attempt to address registers in the Access Bank below 5Fh. Since these addresses are interpreted as literal offsets to FSR2 when the instruction set extension is enabled, the application may read or write to the wrong data addresses.

When porting an application to the PIC18F87K90 family, it is very important to consider the type of code. A large, re-entrant application that is written in C and would benefit from efficient compilation will do well when using the instruction set extensions. Legacy applications that heavily use the Access Bank will most likely not benefit from using the extended instruction set.

# PIC18F87K90 FAMILY

**ADDWF**      **ADD W to Indexed  
(Indexed Literal Offset mode)**

---

Syntax:            ADDWF    [k] {,d}

Operands:         $0 \leq k \leq 95$   
 $d \in [0, 1]$

Operation:         $(W) + ((FSR2) + k) \rightarrow \text{dest}$

Status Affected: N, OV, C, DC, Z

Encoding:        

|      |      |      |      |
|------|------|------|------|
| 0010 | 01d0 | kkkk | kkkk |
|------|------|------|------|

Description:     The contents of W are added to the contents of the register indicated by FSR2, offset by the value 'k'.  
 If 'd' is '0', the result is stored in W. If 'd' is '1', the result is stored back in register 'f' (default).

Words:            1

Cycles:           1

Q Cycle Activity:

| Q1     | Q2       | Q3           | Q4                   |
|--------|----------|--------------|----------------------|
| Decode | Read 'k' | Process Data | Write to destination |

**Example:**            ADDWF    [OFST] , 0

Before Instruction

|                   |   |       |
|-------------------|---|-------|
| W                 | = | 17h   |
| OFST              | = | 2Ch   |
| FSR2              | = | 0A00h |
| Contents of 0A2Ch | = | 20h   |

After Instruction

|                   |   |     |
|-------------------|---|-----|
| W                 | = | 37h |
| Contents of 0A2Ch | = | 20h |

**BSF**            **Bit Set Indexed  
(Indexed Literal Offset mode)**

---

Syntax:            BSF    [k], b

Operands:         $0 \leq f \leq 95$   
 $0 \leq b \leq 7$

Operation:         $1 \rightarrow ((FSR2) + k) \langle b \rangle$

Status Affected: None

Encoding:        

|      |      |      |      |
|------|------|------|------|
| 1000 | bbb0 | kkkk | kkkk |
|------|------|------|------|

Description:     Bit 'b' of the register indicated by FSR2, offset by the value 'k', is set.

Words:            1

Cycles:           1

Q Cycle Activity:

| Q1     | Q2                | Q3           | Q4                   |
|--------|-------------------|--------------|----------------------|
| Decode | Read register 'f' | Process Data | Write to destination |

**Example:**            BSF      [FLAG\_OFST] , 7

Before Instruction

|                   |   |       |
|-------------------|---|-------|
| FLAG_OFST         | = | 0Ah   |
| FSR2              | = | 0A00h |
| Contents of 0A0Ah | = | 55h   |

After Instruction

|                   |   |     |
|-------------------|---|-----|
| Contents of 0A0Ah | = | D5h |
|-------------------|---|-----|

**SETF**            **Set Indexed  
(Indexed Literal Offset mode)**

---

Syntax:            SETF   [k]

Operands:         $0 \leq k \leq 95$

Operation:         $FFh \rightarrow ((FSR2) + k)$

Status Affected: None

Encoding:        

|      |      |      |      |
|------|------|------|------|
| 0110 | 1000 | kkkk | kkkk |
|------|------|------|------|

Description:     The contents of the register indicated by FSR2, offset by 'k', are set to FFh.

Words:            1

Cycles:           1

Q Cycle Activity:

| Q1     | Q2       | Q3           | Q4             |
|--------|----------|--------------|----------------|
| Decode | Read 'k' | Process Data | Write register |

**Example:**            SETF    [OFST]

Before Instruction

|                   |   |       |
|-------------------|---|-------|
| OFST              | = | 2Ch   |
| FSR2              | = | 0A00h |
| Contents of 0A2Ch | = | 00h   |

After Instruction

|                   |   |     |
|-------------------|---|-----|
| Contents of 0A2Ch | = | FFh |
|-------------------|---|-----|

# PIC18F87K90 FAMILY

---

## 29.2.5 SPECIAL CONSIDERATIONS WITH MICROCHIP MPLAB® IDE TOOLS

The latest versions of Microchip's software tools have been designed to fully support the extended instruction set for the PIC18F87K90 family family. This includes the MPLAB C18 C Compiler, MPASM assembly language and MPLAB Integrated Development Environment (IDE).

When selecting a target device for software development, MPLAB IDE will automatically set default Configuration bits for that device. The default setting for the XINST Configuration bit is '0', disabling the extended instruction set and Indexed Literal Offset Addressing. For proper execution of applications developed to take advantage of the extended instruction set, XINST must be set during programming.

To develop software for the extended instruction set, the user must enable support for the instructions and the Indexed Addressing mode in their language tool(s). Depending on the environment being used, this may be done in several ways:

- A menu option or dialog box within the environment that allows the user to configure the language tool and its settings for the project
- A command line option
- A directive in the source code

These options vary between different compilers, assemblers and development environments. Users are encouraged to review the documentation accompanying their development systems for the appropriate information.

## 30.0 DEVELOPMENT SUPPORT

The PIC<sup>®</sup> microcontrollers and dsPIC<sup>®</sup> digital signal controllers are supported with a full range of software and hardware development tools:

- Integrated Development Environment
  - MPLAB<sup>®</sup> IDE Software
- Compilers/Assemblers/Linkers
  - MPLAB C Compiler for Various Device Families
  - HI-TECH C for Various Device Families
  - MPASM<sup>™</sup> Assembler
  - MPLINK<sup>™</sup> Object Linker/  
MPLIB<sup>™</sup> Object Librarian
  - MPLAB Assembler/Linker/Librarian for Various Device Families
- Simulators
  - MPLAB SIM Software Simulator
- Emulators
  - MPLAB REAL ICE<sup>™</sup> In-Circuit Emulator
- In-Circuit Debuggers
  - MPLAB ICD 3
  - PICKit<sup>™</sup> 3 Debug Express
- Device Programmers
  - PICKit<sup>™</sup> 2 Programmer
  - MPLAB PM3 Device Programmer
- Low-Cost Demonstration/Development Boards, Evaluation Kits, and Starter Kits

## 30.1 MPLAB Integrated Development Environment Software

The MPLAB IDE software brings an ease of software development previously unseen in the 8/16/32-bit microcontroller market. The MPLAB IDE is a Windows<sup>®</sup> operating system-based application that contains:

- A single graphical interface to all debugging tools
  - Simulator
  - Programmer (sold separately)
  - In-Circuit Emulator (sold separately)
  - In-Circuit Debugger (sold separately)
- A full-featured editor with color-coded context
- A multiple project manager
- Customizable data windows with direct edit of contents
- High-level source code debugging
- Mouse over variable inspection
- Drag and drop variables from source to watch windows
- Extensive on-line help
- Integration of select third party tools, such as IAR C Compilers

The MPLAB IDE allows you to:

- Edit your source files (either C or assembly)
- One-touch compile or assemble, and download to emulator and simulator tools (automatically updates all project information)
- Debug using:
  - Source files (C or assembly)
  - Mixed C and assembly
  - Machine code

MPLAB IDE supports multiple debugging tools in a single development paradigm, from the cost-effective simulators, through low-cost in-circuit debuggers, to full-featured emulators. This eliminates the learning curve when upgrading to tools with increased flexibility and power.

# PIC18F87K90 FAMILY

---

## 30.2 MPLAB C Compilers for Various Device Families

The MPLAB C Compiler code development systems are complete ANSI C compilers for Microchip's PIC18, PIC24 and PIC32 families of microcontrollers and the dsPIC30 and dsPIC33 families of digital signal controllers. These compilers provide powerful integration capabilities, superior code optimization and ease of use.

For easy source level debugging, the compilers provide symbol information that is optimized to the MPLAB IDE debugger.

## 30.3 HI-TECH C for Various Device Families

The HI-TECH C Compiler code development systems are complete ANSI C compilers for Microchip's PIC family of microcontrollers and the dsPIC family of digital signal controllers. These compilers provide powerful integration capabilities, omniscient code generation and ease of use.

For easy source level debugging, the compilers provide symbol information that is optimized to the MPLAB IDE debugger.

The compilers include a macro assembler, linker, pre-processor, and one-step driver, and can run on multiple platforms.

## 30.4 MPASM Assembler

The MPASM Assembler is a full-featured, universal macro assembler for PIC10/12/16/18 MCUs.

The MPASM Assembler generates relocatable object files for the MPLINK Object Linker, Intel® standard HEX files, MAP files to detail memory usage and symbol reference, absolute LST files that contain source lines and generated machine code and COFF files for debugging.

The MPASM Assembler features include:

- Integration into MPLAB IDE projects
- User-defined macros to streamline assembly code
- Conditional assembly for multi-purpose source files
- Directives that allow complete control over the assembly process

## 30.5 MPLINK Object Linker/ MPLIB Object Librarian

The MPLINK Object Linker combines relocatable objects created by the MPASM Assembler and the MPLAB C18 C Compiler. It can link relocatable objects from precompiled libraries, using directives from a linker script.

The MPLIB Object Librarian manages the creation and modification of library files of precompiled code. When a routine from a library is called from a source file, only the modules that contain that routine will be linked in with the application. This allows large libraries to be used efficiently in many different applications.

The object linker/library features include:

- Efficient linking of single libraries instead of many smaller files
- Enhanced code maintainability by grouping related modules together
- Flexible creation of libraries with easy module listing, replacement, deletion and extraction

## 30.6 MPLAB Assembler, Linker and Librarian for Various Device Families

MPLAB Assembler produces relocatable machine code from symbolic assembly language for PIC24, PIC32 and dsPIC devices. MPLAB C Compiler uses the assembler to produce its object file. The assembler generates relocatable object files that can then be archived or linked with other relocatable object files and archives to create an executable file. Notable features of the assembler include:

- Support for the entire device instruction set
- Support for fixed-point and floating-point data
- Command line interface
- Rich directive set
- Flexible macro language
- MPLAB IDE compatibility

## 30.7 MPLAB SIM Software Simulator

The MPLAB SIM Software Simulator allows code development in a PC-hosted environment by simulating the PIC MCUs and dsPIC<sup>®</sup> DSCs on an instruction level. On any given instruction, the data areas can be examined or modified and stimuli can be applied from a comprehensive stimulus controller. Registers can be logged to files for further run-time analysis. The trace buffer and logic analyzer display extend the power of the simulator to record and track program execution, actions on I/O, most peripherals and internal registers.

The MPLAB SIM Software Simulator fully supports symbolic debugging using the MPLAB C Compilers, and the MPASM and MPLAB Assemblers. The software simulator offers the flexibility to develop and debug code outside of the hardware laboratory environment, making it an excellent, economical software development tool.

## 30.8 MPLAB REAL ICE In-Circuit Emulator System

MPLAB REAL ICE In-Circuit Emulator System is Microchip's next generation high-speed emulator for Microchip Flash DSC and MCU devices. It debugs and programs PIC<sup>®</sup> Flash MCUs and dsPIC<sup>®</sup> Flash DSCs with the easy-to-use, powerful graphical user interface of the MPLAB Integrated Development Environment (IDE), included with each kit.

The emulator is connected to the design engineer's PC using a high-speed USB 2.0 interface and is connected to the target with either a connector compatible with in-circuit debugger systems (RJ11) or with the new high-speed, noise tolerant, Low-Voltage Differential Signal (LVDS) interconnection (CAT5).

The emulator is field upgradable through future firmware downloads in MPLAB IDE. In upcoming releases of MPLAB IDE, new devices will be supported, and new features will be added. MPLAB REAL ICE offers significant advantages over competitive emulators including low-cost, full-speed emulation, run-time variable watches, trace analysis, complex breakpoints, a ruggedized probe interface and long (up to three meters) interconnection cables.

## 30.9 MPLAB ICD 3 In-Circuit Debugger System

MPLAB ICD 3 In-Circuit Debugger System is Microchip's most cost effective high-speed hardware debugger/programmer for Microchip Flash Digital Signal Controller (DSC) and microcontroller (MCU) devices. It debugs and programs PIC<sup>®</sup> Flash microcontrollers and dsPIC<sup>®</sup> DSCs with the powerful, yet easy-to-use graphical user interface of MPLAB Integrated Development Environment (IDE).

The MPLAB ICD 3 In-Circuit Debugger probe is connected to the design engineer's PC using a high-speed USB 2.0 interface and is connected to the target with a connector compatible with the MPLAB ICD 2 or MPLAB REAL ICE systems (RJ-11). MPLAB ICD 3 supports all MPLAB ICD 2 headers.

## 30.10 PICkit 3 In-Circuit Debugger/Programmer and PICkit 3 Debug Express

The MPLAB PICkit 3 allows debugging and programming of PIC<sup>®</sup> and dsPIC<sup>®</sup> Flash microcontrollers at a most affordable price point using the powerful graphical user interface of the MPLAB Integrated Development Environment (IDE). The MPLAB PICkit 3 is connected to the design engineer's PC using a full speed USB interface and can be connected to the target via an Microchip debug (RJ-11) connector (compatible with MPLAB ICD 3 and MPLAB REAL ICE). The connector uses two device I/O pins and the reset line to implement in-circuit debugging and In-Circuit Serial Programming™.

The PICkit 3 Debug Express include the PICkit 3, demo board and microcontroller, hookup cables and CDROM with user's guide, lessons, tutorial, compiler and MPLAB IDE software.

# PIC18F87K90 FAMILY

---

## 30.11 PICkit 2 Development Programmer/Debugger and PICkit 2 Debug Express

The PICkit™ 2 Development Programmer/Debugger is a low-cost development tool with an easy to use interface for programming and debugging Microchip's Flash families of microcontrollers. The full featured Windows® programming interface supports baseline (PIC10F, PIC12F5xx, PIC16F5xx), midrange (PIC12F6xx, PIC16F), PIC18F, PIC24, dsPIC30, dsPIC33, and PIC32 families of 8-bit, 16-bit, and 32-bit microcontrollers, and many Microchip Serial EEPROM products. With Microchip's powerful MPLAB Integrated Development Environment (IDE) the PICkit™ 2 enables in-circuit debugging on most PIC® microcontrollers. In-Circuit-Debugging runs, halts and single steps the program while the PIC microcontroller is embedded in the application. When halted at a breakpoint, the file registers can be examined and modified.

The PICkit 2 Debug Express include the PICkit 2, demo board and microcontroller, hookup cables and CDROM with user's guide, lessons, tutorial, compiler and MPLAB IDE software.

## 30.12 MPLAB PM3 Device Programmer

The MPLAB PM3 Device Programmer is a universal, CE compliant device programmer with programmable voltage verification at VDDMIN and VDDMAX for maximum reliability. It features a large LCD display (128 x 64) for menus and error messages and a modular, detachable socket assembly to support various package types. The ICSP™ cable assembly is included as a standard item. In Stand-Alone mode, the MPLAB PM3 Device Programmer can read, verify and program PIC devices without a PC connection. It can also set code protection in this mode. The MPLAB PM3 connects to the host PC via an RS-232 or USB cable. The MPLAB PM3 has high-speed communications and optimized algorithms for quick programming of large memory devices and incorporates an MMC card for file storage and data applications.

## 30.13 Demonstration/Development Boards, Evaluation Kits, and Starter Kits

A wide variety of demonstration, development and evaluation boards for various PIC MCUs and dsPIC DSCs allows quick application development on fully functional systems. Most boards include prototyping areas for adding custom circuitry and provide application firmware and source code for examination and modification.

The boards support a variety of features, including LEDs, temperature sensors, switches, speakers, RS-232 interfaces, LCD displays, potentiometers and additional EEPROM memory.

The demonstration and development boards can be used in teaching environments, for prototyping custom circuits and for learning about various microcontroller applications.

In addition to the PICDEM™ and dsPICDEM™ demonstration/development board series of circuits, Microchip has a line of evaluation kits and demonstration software for analog filter design, KEELOQ® security ICs, CAN, IrDA®, PowerSmart battery management, SEEVAL® evaluation system, Sigma-Delta ADC, flow rate sensing, plus many more.

Also available are starter kits that contain everything needed to experience the specified device. This usually includes a single application and debug capability, all on one board.

Check the Microchip web page ([www.microchip.com](http://www.microchip.com)) for the complete list of demonstration, development and evaluation kits.



# PIC18F87K90 FAMILY

## 31.0 ELECTRICAL CHARACTERISTICS

### Absolute Maximum Ratings<sup>(†)</sup>

|   |                                   |
|---|-----------------------------------|
| Ambient temperature under bias .....  | -40°C to +125°C                   |
| Storage temperature .....   | -65°C to +150°C                   |
| Voltage on any digital only I/O pin with respect to V <sub>SS</sub> (except V <sub>DD</sub> ) .....   | -0.3V to 7.5V                     |
| Voltage on $\overline{\text{MCLR}}$ with respect to V <sub>SS</sub> .....   | -0.3V to +9.0V                    |
| Voltage on any combined digital and analog pin with respect to V <sub>SS</sub> (except V <sub>DD</sub> and $\overline{\text{MCLR}}$ ) ..... | -0.3V to (V <sub>DD</sub> + 0.3V) |
| Voltage on V <sub>DD</sub> with respect to V <sub>SS</sub> (regulator enabled) .....  | -0.3V to 5.5V                     |
| Voltage on V <sub>DD</sub> with respect to V <sub>SS</sub> (regulator disabled) .....   | -0.3V to 3.6V                     |
| Total power dissipation ( <b>Note 1</b> ) .....   | 1W                                |
| Maximum current out of V <sub>SS</sub> pin .....  | 300 mA                            |
| Maximum current into V <sub>DD</sub> pin .....  | 250 mA                            |
| Input clamp current, I <sub>IK</sub> (V <sub>I</sub> < 0 or V <sub>I</sub> > V <sub>DD</sub> ) .....  | ±20 mA                            |
| Output clamp current, I <sub>OK</sub> (V <sub>O</sub> < 0 or V <sub>O</sub> > V <sub>DD</sub> ) .....                                       | ±20 mA                            |
| Maximum output current sunk by PORTA<7:6> and any PORTB and PORTC I/O pins .....  | 25 mA                             |
| Maximum output current sunk by any PORTD, PORTE and PORTJ I/O pins .....  | 8 mA                              |
| Maximum output current sunk by PORTA<5:0> and any PORTF, PORTG and PORTH I/O pins .....   | 2 mA                              |
| Maximum output current sourced by PORTA<7:6> and any PORTB and PORTC I/O pins .....   | 25 mA                             |
| Maximum output current sourced by any PORTD, PORTE and PORTJ I/O pins .....   | 8 mA                              |
| Maximum output current sourced by PORTA<5:0> and any PORTF, PORTG and PORTH I/O pins .....  | 2 mA                              |
| Maximum current sunk by all ports combined .....  | 200 mA                            |

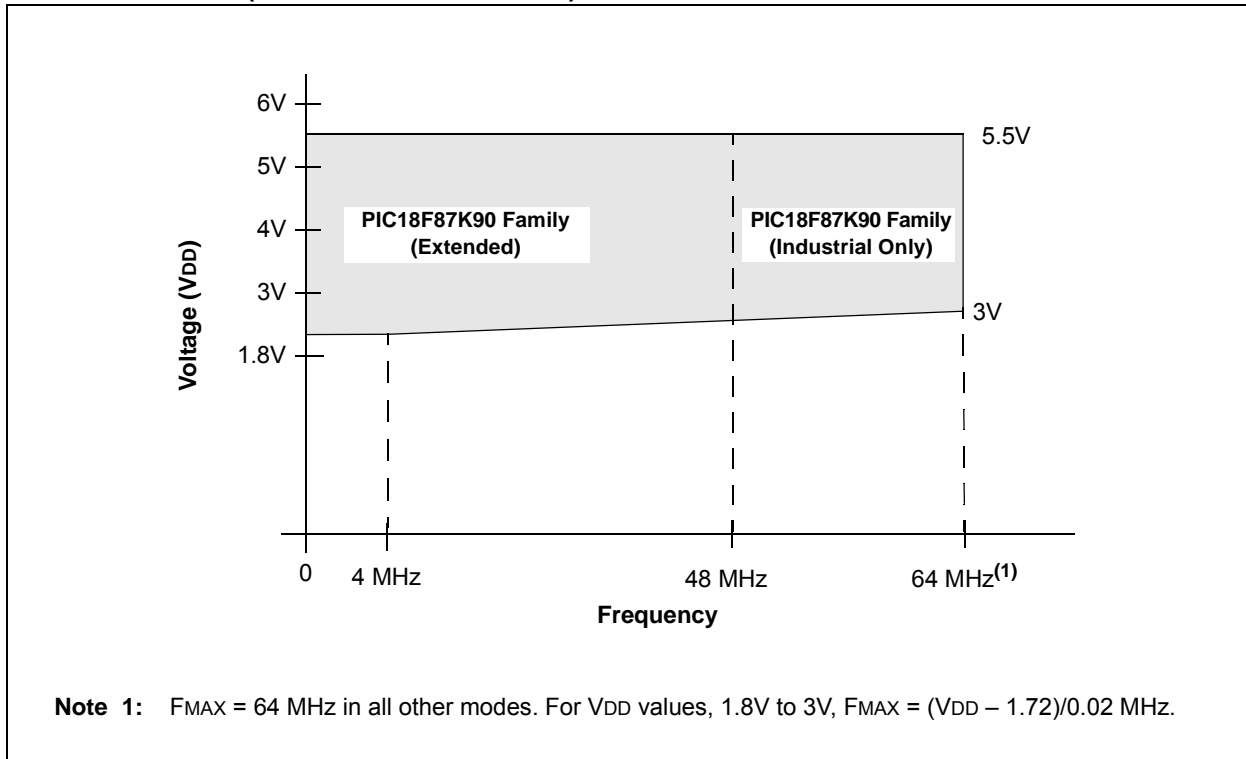
**Note 1:** Power dissipation is calculated as follows:

$$P_{dis} = V_{DD} \times \{I_{DD} - \sum I_{OH}\} + \sum \{(V_{DD} - V_{OH}) \times I_{OH}\} + \sum (V_{OL} \times I_{OL})$$

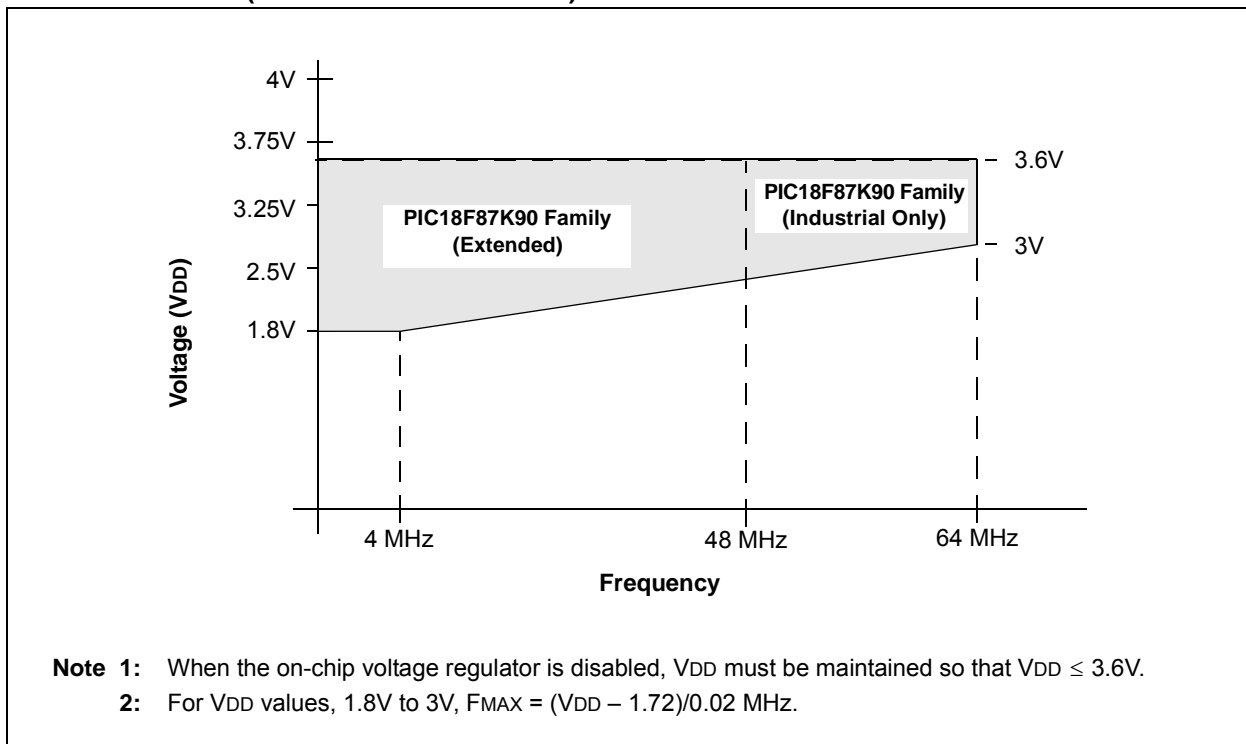
† **NOTICE:** Stresses above those listed under “Absolute Maximum Ratings” may cause permanent damage to the device. This is a stress rating only and functional operation of the device at those or any other conditions above those indicated in the operation listings of this specification is not implied. Exposure to maximum rating conditions for extended periods may affect device reliability.

# PIC18F87K90 FAMILY

**FIGURE 31-1: VOLTAGE-FREQUENCY GRAPH, REGULATOR ENABLED (INDUSTRIAL/EXTENDED)<sup>(1)</sup>**



**FIGURE 31-2: VOLTAGE-FREQUENCY GRAPH, REGULATOR DISABLED (INDUSTRIAL/EXTENDED)<sup>(1,2)</sup>**



# PIC18F87K90 FAMILY

## 31.1 DC Characteristics: Supply Voltage PIC18F87K90 Family (Industrial/Extended)

| PIC18F87K90 Family |        |  | Standard Operating Conditions (unless otherwise stated)   |                          |                              |        |  |
|--------------------|--------|--|---|--------------------------|------------------------------|--------|--|
|                    |        |  | Operating temperature -40°C ≤ T <sub>A</sub> ≤ +85°C for industrial<br>-40°C ≤ T <sub>A</sub> ≤ +125°C for extended |                          |                              |        |  |
| Param No.          | Symbol | Characteristic   | Min   | Typ                      | Max                          | Units  | Conditions   |
| D001               | VDD    | <b>Supply Voltage</b>  | 1.8<br>1.8  | —<br>—                   | 3.6<br>5.5                   | V<br>V | ENVREG tied to V <sub>SS</sub><br>ENVREG tied to VDD               |
| D001C              | AVDD   | <b>Analog Supply Voltage</b>   | VDD - 0.3   | —                        | VDD + 0.3                    | V      |  |
| D001D              | AVSS   | <b>Analog Ground Potential</b>   | VSS - 0.3   | —                        | VSS + 0.3                    | V      |  |
| D002               | VDR    | <b>RAM Data Retention Voltage<sup>(1)</sup></b>  | 1.5   | —                        | —                            | V      |  |
| D003               | VPOR   | <b>VDD Start Voltage</b><br>to Ensure Internal<br>Power-on Reset Signal  | —   | —                        | 0.7                          | V      | See <a href="#">Section 5.3 “Power-on Reset (POR)”</a> for details |
| D004               | SVDD   | <b>VDD Rise Rate</b><br>to Ensure Internal<br>Power-on Reset Signal  | 0.05  | —                        | —                            | V/ms   | See <a href="#">Section 5.3 “Power-on Reset (POR)”</a> for details |
| D005               | BVDD   | <b>Brown-out Reset Voltage (High/Medium/Low-Power mode)</b><br>BORV<1:0> = 11 <sup>(2)</sup><br>BORV<1:0> = 10<br>BORV<1:0> = 01<br>BORV<1:0> = 00 | 1.69<br>1.88<br>2.53<br>2.82  | 1.8<br>2.0<br>2.7<br>3.0 | 1.91<br>2.12<br>2.86<br>3.18 |        |  |

- Note 1:** This is the limit to which VDD can be lowered in Sleep mode, or during a device Reset, without losing RAM data.
- Note 2:** The device will operate normally until Brown-out Reset occurs, even though VDD may be below VDDMIN.

# PIC18F87K90 FAMILY

## 31.2 DC Characteristics: Power-Down and Supply Current PIC18F87K90 Family (Industrial/Extended)

| PIC18F87K90 Family                            |             | Standard Operating Conditions (unless otherwise stated) |      |       |            |   |
|---|-------------|---|------|-------|------------|---|
|   |             | Operating temperature                                   |      |       |            |   |
|   |             | -40°C ≤ TA ≤ +85°C for industrial                       |      |       |            |   |
|   |             | -40°C ≤ TA ≤ +125°C for extended                        |      |       |            |   |
| Param No.                                     | Device      | Typ   | Max  | Units | Conditions |   |
| <b>Power-Down Current (IPD)<sup>(1)</sup></b> |             |   |      |       |            |   |
|   | All devices | 10  | 500  | nA    | -40°C      | VDD = 1.8V <sup>(4)</sup><br>(Sleep mode)<br>Regulator Disabled |
|   |             | 20  | 500  | nA    | +25°C      |   |
|   |             | 120   | 600  | nA    | +60°C      |   |
|   |             | 630   | 1800 | nA    | +85°C      |   |
|   |             | 4   | 9    | μA    | +125°C     |   |
|   | All devices | 50  | 700  | μA    | -40°C      | VDD = 3.3V <sup>(4)</sup><br>(Sleep mode)<br>Regulator Disabled |
|   |             | 60  | 700  | nA    | +25°C      |   |
|   |             | 170   | 800  | nA    | +60°C      |   |
|   |             | 700   | 2700 | nA    | +85°C      |   |
|   |             | 5   | 11   | μA    | +125°C     |   |
|   | All devices | 350   | 1300 | nA    | -40°C      | VDD = 5V <sup>(5)</sup><br>(Sleep mode)<br>Regulator Enabled    |
|   |             | 400   | 1400 | nA    | +25°C      |   |
|   |             | 550   | 1500 | nA    | +60°C      |   |
|   |             | 1350  | 4000 | nA    | +85°C      |   |
|   |             | 6   | 12   | μA    | +125°C     |   |

- Note 1:** The power-down current in Sleep mode does not depend on the oscillator type. Power-down current is measured with the part in Sleep mode, with all I/O pins in a high-impedance state and tied to VDD or VSS, and all features that add delta current are disabled (such as WDT, SOSC oscillator, BOR, etc.).
- 2:** The supply current is mainly a function of operating voltage, frequency and mode. Other factors, such as I/O pin loading and switching rate, oscillator type and circuit, internal code execution pattern and temperature, also have an impact on the current consumption.  
The test conditions for all IDD measurements in active operation mode are:  
OSC1 = external square wave, from rail-to-rail; all I/O pins tri-stated, pulled to VDD;  
MCLR = VDD; WDT enabled/disabled as specified.
- 3:** Standard, low-cost 32 kHz crystals have an operating temperature range of -10°C to +70°C. Extended temperature crystals are available at a much higher cost.
- 4:** Voltage regulator disabled (ENVREG = 0, tied to VSS,  $\overline{\text{RETEN}}$  (CONFIG1L<0>) = 1).
- 5:** Voltage regulator enabled (ENVREG = 1, tied to VDD, SRETEN (WDTCON<4>) = 1 and  $\overline{\text{RETEN}}$  (CONFIG1L<0>) = 0).
- 6:** LCD glass is not connected; resistor current is not included.
- 7:** 48 MHz maximum frequency at 125°C.

# PIC18F87K90 FAMILY

## 31.2 DC Characteristics: Power-Down and Supply Current PIC18F87K90 Family (Industrial/Extended) (Continued)

| PIC18F87K90 Family                          |             | Standard Operating Conditions (unless otherwise stated)  |     |        |            |  |       |
|---|-------------|--|-----|--------|------------|--|-------|
|   |             | Operating temperature<br>-40°C ≤ TA ≤ +85°C for industrial<br>-40°C ≤ TA ≤ +125°C for extended |     |        |            |  |       |
| Param No.                                   | Device      | Typ  | Max | Units  | Conditions |  |       |
| <b>Supply Current (IDD)<sup>(2,3)</sup></b> |             |  |     |        |            |  |       |
|   | All devices | 5.3  | 10  | μA     | -40°C      | V <sub>DD</sub> = 1.8V <sup>(4)</sup><br>Regulator Disabled<br><br>V <sub>DD</sub> = 3.3V <sup>(4)</sup><br>Regulator Disabled<br><br>V <sub>DD</sub> = 5V <sup>(5)</sup><br>Regulator Enabled<br><br>V <sub>DD</sub> = 1.8V <sup>(4)</sup><br>Regulator Disabled<br><br>V <sub>DD</sub> = 3.3V <sup>(4)</sup><br>Regulator Disabled<br><br>V <sub>DD</sub> = 5V <sup>(5)</sup><br>Regulator Enabled |       |
|   |             | 5.5  | 10  | μA     | +25°C      |  |       |
|   |             | 5.5  | 10  | μA     | +85°C      |  |       |
|   |             | 12   | 24  | μA     | +125°C     |  |       |
|   | All devices | 10   | 15  | μA     | -40°C      |  |       |
|   |             | 10   | 16  | μA     | +25°C      |  |       |
|   |             | 11   | 17  | μA     | +85°C      |  |       |
|   | All devices | 15   | 35  | μA     | +125°C     |  |       |
|   |             | All devices  | 70  | 180    | μA         |  | -40°C |
|   |             |  | 80  | 185    | μA         |  | +25°C |
|   | 90          |  | 190 | μA     | +85°C      |  |       |
|   | 200         |  | 500 | μA     | +125°C     |  |       |
| All devices                                 | 410         | 850  | μA  | -40°C  |            |  |       |
|   | 410         | 800  | μA  | +25°C  |            |  |       |
|   | 410         | 830  | μA  | +85°C  |            |  |       |
|   | 700         | 1500   | μA  | +125°C |            |  |       |
| All devices                                 | 680         | 990  | μA  | -40°C  |            |  |       |
|   | 680         | 960  | μA  | +25°C  |            |  |       |
|   | 670         | 950  | μA  | +85°C  |            |  |       |
|   | 800         | 1700   | μA  | +125°C |            |  |       |
| All devices                                 | 760         | 1400   | μA  | -40°C  |            |  |       |
|   | 780         | 1400   | μA  | +25°C  |            |  |       |
|   | 800         | 1500   | μA  | +85°C  |            |  |       |
|   | 1200        | 2400   | μA  | +125°C |            |  |       |

- Note 1:** The power-down current in Sleep mode does not depend on the oscillator type. Power-down current is measured with the part in Sleep mode, with all I/O pins in a high-impedance state and tied to V<sub>DD</sub> or V<sub>SS</sub>, and all features that add delta current are disabled (such as WDT, SOSC oscillator, BOR, etc.).
- 2:** The supply current is mainly a function of operating voltage, frequency and mode. Other factors, such as I/O pin loading and switching rate, oscillator type and circuit, internal code execution pattern and temperature, also have an impact on the current consumption.  
The test conditions for all I<sub>DD</sub> measurements in active operation mode are:  
 OSC1 = external square wave, from rail-to-rail; all I/O pins tri-stated, pulled to V<sub>DD</sub>;  
 MCLR = V<sub>DD</sub>; WDT enabled/disabled as specified.
- 3:** Standard, low-cost 32 kHz crystals have an operating temperature range of -10°C to +70°C. Extended temperature crystals are available at a much higher cost.
- 4:** Voltage regulator disabled (ENVREG = 0, tied to V<sub>SS</sub>,  $\overline{\text{RETEN}}$  (CONFIG1L<0>) = 1).
- 5:** Voltage regulator enabled (ENVREG = 1, tied to V<sub>DD</sub>, SRETEN (WDTCON<4>) = 1 and  $\overline{\text{RETEN}}$  (CONFIG1L<0>) = 0).
- 6:** LCD glass is not connected; resistor current is not included.
- 7:** 48 MHz maximum frequency at 125°C.

# PIC18F87K90 FAMILY

## 31.2 DC Characteristics: Power-Down and Supply Current PIC18F87K90 Family (Industrial/Extended) (Continued)

| PIC18F87K90 Family |             | Standard Operating Conditions (unless otherwise stated) |      |       |            |  |   |
|--------------------|-------------|---|------|-------|------------|--|---|
|                    |             | Operating temperature                                   |      |       |            |  |   |
|                    |             | -40°C ≤ TA ≤ +85°C for industrial                       |      |       |            |  |   |
|                    |             | -40°C ≤ TA ≤ +125°C for extended                        |      |       |            |  |   |
| Param No.          | Device      | Typ   | Max  | Units | Conditions |  |   |
|                    | All devices | 760   | 1300 | μA    | -40°C      | FOSC = 4 MHz<br>(RC_RUN mode,<br>HF-INTOSC)  |   |
|                    |             | 760   | 1400 | μA    | +25°C      |  |   |
|                    |             | 770   | 1500 | μA    | +85°C      |  |   |
|                    |             | 800   | 1700 | μA    | +125°C     |  |   |
|                    | All devices | 1.4   | 2.5  | mA    | -40°C      |  | VDD = 1.8V <sup>(4)</sup><br>Regulator Disabled |
|                    |             | 1.4   | 2.5  | mA    | +25°C      |  |   |
|                    |             | 1.4   | 2.5  | mA    | +85°C      |  |   |
|                    |             | 1.5   | 3.0  | mA    | +125°C     |  |   |
|                    | All devices | 1.5   | 2.7  | mA    | -40°C      |  | VDD = 3.3V <sup>(4)</sup><br>Regulator Disabled |
|                    |             | 1.5   | 2.7  | mA    | +25°C      |  |   |
|                    |             | 1.5   | 2.7  | mA    | +85°C      |  |   |
|                    |             | 1.6   | 3.3  | mA    | +125°C     |  |   |
|                    | All devices | 1.5   | 2.7  | mA    | -40°C      | VDD = 5V <sup>(5)</sup><br>Regulator Enabled |   |
|                    |             | 1.5   | 2.7  | mA    | +25°C      |  |   |
|                    |             | 1.5   | 2.7  | mA    | +85°C      |  |   |
|                    |             | 1.6   | 3.3  | mA    | +125°C     |  |   |

- Note 1:** The power-down current in Sleep mode does not depend on the oscillator type. Power-down current is measured with the part in Sleep mode, with all I/O pins in a high-impedance state and tied to VDD or VSS, and all features that add delta current are disabled (such as WDT, SOSC oscillator, BOR, etc.).
- 2:** The supply current is mainly a function of operating voltage, frequency and mode. Other factors, such as I/O pin loading and switching rate, oscillator type and circuit, internal code execution pattern and temperature, also have an impact on the current consumption.  
The test conditions for all IDD measurements in active operation mode are:  
OSC1 = external square wave, from rail-to-rail; all I/O pins tri-stated, pulled to VDD;  
MCLR = VDD; WDT enabled/disabled as specified.
- 3:** Standard, low-cost 32 kHz crystals have an operating temperature range of -10°C to +70°C. Extended temperature crystals are available at a much higher cost.
- 4:** Voltage regulator disabled (ENVREG = 0, tied to VSS,  $\overline{\text{RETEN}}$  (CONFIG1L<0>) = 1).
- 5:** Voltage regulator enabled (ENVREG = 1, tied to VDD, SRETEN (WDTCON<4>) = 1 and  $\overline{\text{RETEN}}$  (CONFIG1L<0>) = 0).
- 6:** LCD glass is not connected; resistor current is not included.
- 7:** 48 MHz maximum frequency at 125°C.

# PIC18F87K90 FAMILY

## 31.2 DC Characteristics: Power-Down and Supply Current PIC18F87K90 Family (Industrial/Extended) (Continued)

| PIC18F87K90 Family                                 |             | Standard Operating Conditions (unless otherwise stated)                                     |     |        |            |  |
|--|-------------|---|-----|--------|------------|--|
|  |             | Operating temperature -40°C ≤ TA ≤ +85°C for industrial<br>-40°C ≤ TA ≤ +125°C for extended |     |        |            |  |
| Param No.  | Device      | Typ   | Max | Units  | Conditions |  |
| <b>Supply Current (IDD) Cont.</b> <sup>(2,3)</sup> |             |   |     |        |            |  |
|  | All devices | 2.1   | 5.5 | μA     | -40°C      | VDD = 1.8V <sup>(4)</sup><br>Regulator Disabled<br><br>VDD = 3.3V <sup>(4)</sup><br>Regulator Disabled<br><br>VDD = 5V <sup>(5)</sup><br>Regulator Enabled<br><br>VDD = 1.8V <sup>(4)</sup><br>Regulator Disabled<br><br>VDD = 3.3V <sup>(4)</sup><br>Regulator Disabled<br><br>VDD = 5V <sup>(5)</sup><br>Regulator Enabled<br><br>VDD = 1.8V <sup>(4)</sup><br>Regulator Disabled<br><br>VDD = 3.3V <sup>(4)</sup><br>Regulator Disabled<br><br>VDD = 5V <sup>(5)</sup><br>Regulator Enabled |
|  |             | 2.1   | 5.7 | μA     | +25°C      |  |
|  |             | 2.2   | 6.0 | μA     | +85°C      |  |
|  |             | 10  | 20  | μA     | +125°C     |  |
|  | All devices | 3.7   | 7.5 | μA     | -40°C      |  |
|  |             | 3.9   | 7.8 | μA     | +25°C      |  |
|  |             | 3.9   | 8.5 | μA     | +85°C      |  |
|  | All devices | 12  | 24  | μA     | +125°C     |  |
|  |             | 70  | 180 | μA     | -40°C      |  |
|  |             | 80  | 190 | μA     | +25°C      |  |
|  | All devices | 80  | 200 | μA     | +85°C      |  |
|  |             | 200   | 420 | μA     | +125°C     |  |
| 330  |             | 650   | μA  | -40°C  |            |  |
| All devices  | 330         | 640   | μA  | +25°C  |            |  |
|  | 330         | 630   | μA  | +85°C  |            |  |
|  | 500         | 850   | μA  | +125°C |            |  |
| All devices  | 520         | 850   | μA  | -40°C  |            |  |
|  | 520         | 900   | μA  | +25°C  |            |  |
|  | 520         | 850   | μA  | +85°C  |            |  |
|  | 800         | 1200  | μA  | +125°C |            |  |
| All devices  | 590         | 940   | μA  | -40°C  |            |  |
|  | 600         | 960   | μA  | +25°C  |            |  |
|  | 620         | 990   | μA  | +85°C  |            |  |
|  | 1000        | 1400  | μA  | +125°C |            |  |
| All devices  | 470         | 770   | μA  | -40°C  |            |  |
|  | 470         | 770   | μA  | +25°C  |            |  |
|  | 460         | 760   | μA  | +85°C  |            |  |
|  | 700         | 1000  | μA  | +125°C |            |  |
| All devices  | 800         | 1400  | μA  | -40°C  |            |  |
|  | 800         | 1350  | μA  | +25°C  |            |  |
|  | 790         | 1300  | μA  | +85°C  |            |  |
|  | 1100        | 1400  | μA  | +125°C |            |  |
| All devices  | 880         | 1600  | μA  | -40°C  |            |  |
|  | 890         | 1700  | μA  | +25°C  |            |  |
|  | 910         | 1800  | μA  | +85°C  |            |  |
|  | 1200        | 2200  | μA  | +125°C |            |  |

- Note 1:** The power-down current in Sleep mode does not depend on the oscillator type. Power-down current is measured with the part in Sleep mode, with all I/O pins in a high-impedance state and tied to VDD or VSS, and all features that add delta current are disabled (such as WDT, SOSC oscillator, BOR, etc.).
- Note 2:** The supply current is mainly a function of operating voltage, frequency and mode. Other factors, such as I/O pin loading and switching rate, oscillator type and circuit, internal code execution pattern and temperature, also have an impact on the current consumption.  
The test conditions for all IDD measurements in active operation mode are:  
OSC1 = external square wave, from rail-to-rail; all I/O pins tri-stated, pulled to VDD;  
MCLR = VDD; WDT enabled/disabled as specified.
- Note 3:** Standard, low-cost 32 kHz crystals have an operating temperature range of -10°C to +70°C. Extended temperature crystals are available at a much higher cost.
- Note 4:** Voltage regulator disabled (ENVREG = 0, tied to VSS, RETEN (CONFIG1L<0>) = 1).
- Note 5:** Voltage regulator enabled (ENVREG = 1, tied to VDD, SRETEN (WDTCON<4>) = 1 and RETEN (CONFIG1L<0>) = 0).
- Note 6:** LCD glass is not connected; resistor current is not included.
- Note 7:** 48 MHz maximum frequency at 125°C.

# PIC18F87K90 FAMILY

## 31.2 DC Characteristics: Power-Down and Supply Current PIC18F87K90 Family (Industrial/Extended) (Continued)

| PIC18F87K90 Family   |             | Standard Operating Conditions (unless otherwise stated) |      |                       |            |  |
|--|-------------|---|------|-----------------------|------------|--|
|  |             | Operating temperature                                   |      |                       |            |  |
|  |             | -40°C ≤ TA ≤ +85°C for industrial                       |      |                       |            |  |
|  |             | -40°C ≤ TA ≤ +125°C for extended                        |      |                       |            |  |
| Param No.  | Device      | Typ   | Max  | Units                 | Conditions |  |
| <b>Supply Current (I<sub>DD</sub>) Cont.<sup>(2,3)</sup></b> |             |   |      |                       |            |  |
|  | All devices | 130   | 390  | μA                    | -40°C      | V <sub>DD</sub> = 1.8V <sup>(4)</sup><br>Regulator Disabled<br><br>V <sub>DD</sub> = 3.3V <sup>(4)</sup><br>Regulator Disabled<br><br>V <sub>DD</sub> = 5V <sup>(5)</sup><br>Regulator Enabled<br><br>V <sub>DD</sub> = 1.8V <sup>(4)</sup><br>Regulator Disabled<br><br>V <sub>DD</sub> = 3.3V <sup>(4)</sup><br>Regulator Disabled<br><br>V <sub>DD</sub> = 5V <sup>(5)</sup><br>Regulator Enabled<br><br>V <sub>DD</sub> = 1.8V <sup>(4)</sup><br>Regulator Disabled<br><br>V <sub>DD</sub> = 3.3V <sup>(4)</sup><br>Regulator Disabled<br><br>V <sub>DD</sub> = 5V <sup>(5)</sup><br>Regulator Enabled<br><br>V <sub>DD</sub> = 3.3V <sup>(4)</sup><br>Regulator Disabled<br><br>V <sub>DD</sub> = 5V <sup>(5)</sup><br>Regulator Enabled<br><br>V <sub>DD</sub> = 3.3V <sup>(4)</sup><br>Regulator Disabled<br><br>V <sub>DD</sub> = 5V <sup>(5)</sup><br>Regulator Enabled |
|  |             | 130   | 390  | μA                    | +25°C      |  |
|  |             | 130   | 390  | μA                    | +85°C      |  |
|  |             | 250   | 500  | μA                    | +125°C     |  |
|  | All devices | 270   | 790  | μA                    | -40°C      |  |
|  |             | 270   | 790  | μA                    | +25°C      |  |
|  |             | 270   | 790  | μA                    | +85°C      |  |
|  | All devices | 400   | 900  | μA                    | +125°C     |  |
|  |             | 430   | 990  | μA                    | -40°C      |  |
|  |             | 450   | 980  | μA                    | +25°C      |  |
|  | All devices | 460   | 980  | μA                    | +85°C      |  |
|  |             | 600   | 1300 | μA                    | +125°C     |  |
| All devices  |             | 430   | 860  | μA                    | -40°C      |  |
|  | 530         | 900   | μA   | +25°C                 |            |  |
|  | 490         | 880   | μA   | +85°C                 |            |  |
|  | 750         | 1600  | μA   | +125°C                |            |  |
| All devices  | 850         | 1750  | μA   | -40°C                 |            |  |
|  | 850         | 1700  | μA   | +25°C                 |            |  |
|  | 850         | 1800  | μA   | +85°C                 |            |  |
|  | 1150        | 2400  | μA   | +125°C                |            |  |
| All devices  | 1.1         | 2.7   | mA   | -40°C                 |            |  |
|  | 1.1         | 2.6   | mA   | +25°C                 |            |  |
|  | 1.1         | 2.6   | mA   | +85°C                 |            |  |
|  | 2.0         | 4.0   | mA   | +125°C                |            |  |
| All devices  | 12          | 19  | mA   | -40°C                 |            |  |
|  | 12          | 19  | mA   | +25°C                 |            |  |
|  | 12          | 19  | mA   | +85°C                 |            |  |
|  | 13          | 22  | mA   | +125°C <sup>(7)</sup> |            |  |
| All devices  | 13          | 20  | mA   | -40°C                 |            |  |
|  | 13          | 20  | mA   | +25°C                 |            |  |
|  | 13          | 20  | mA   | +85°C                 |            |  |
|  | 14          | 23  | mA   | +125°C <sup>(7)</sup> |            |  |

- Note 1:** The power-down current in Sleep mode does not depend on the oscillator type. Power-down current is measured with the part in Sleep mode, with all I/O pins in a high-impedance state and tied to V<sub>DD</sub> or V<sub>SS</sub>, and all features that add delta current are disabled (such as WDT, SOSC oscillator, BOR, etc.).
- 2:** The supply current is mainly a function of operating voltage, frequency and mode. Other factors, such as I/O pin loading and switching rate, oscillator type and circuit, internal code execution pattern and temperature, also have an impact on the current consumption.  
The test conditions for all I<sub>DD</sub> measurements in active operation mode are:  
 OSC1 = external square wave, from rail-to-rail; all I/O pins tri-stated, pulled to V<sub>DD</sub>;  
 MCLR = V<sub>DD</sub>; WDT enabled/disabled as specified.
- 3:** Standard, low-cost 32 kHz crystals have an operating temperature range of -10°C to +70°C. Extended temperature crystals are available at a much higher cost.
- 4:** Voltage regulator disabled (ENVREG = 0, tied to V<sub>SS</sub>,  $\overline{\text{RETEN}}$  (CONFIG1L<0>) = 1).
- 5:** Voltage regulator enabled (ENVREG = 1, tied to V<sub>DD</sub>, SRETEN (WDTCON<4>) = 1 and  $\overline{\text{RETEN}}$  (CONFIG1L<0>) = 0).
- 6:** LCD glass is not connected; resistor current is not included.
- 7:** 48 MHz maximum frequency at 125°C.



# PIC18F87K90 FAMILY

## 31.2 DC Characteristics: Power-Down and Supply Current PIC18F87K90 Family (Industrial/Extended) (Continued)

| PIC18F87K90 Family   |             | Standard Operating Conditions (unless otherwise stated)  |     |                       |                       |   |   |  |
|--|-------------|--|-----|-----------------------|-----------------------|---|---|--|
|  |             | Operating temperature<br>-40°C ≤ TA ≤ +85°C for industrial<br>-40°C ≤ TA ≤ +125°C for extended |     |                       |                       |   |   |  |
| Param No.  | Device      | Typ  | Max | Units                 | Conditions            |   |   |  |
| <b>Supply Current (I<sub>DD</sub>) Cont.<sup>(2,3)</sup></b> |             |  |     |                       |                       |   |   |  |
|  | All devices | 3.3  | 5.6 | mA                    | -40°C                 | V <sub>DD</sub> = 3.3V <sup>(4)</sup><br>Regulator Disabled | F <sub>OSC</sub> = 16 MHz,<br>( <b>PRI_RUN</b> mode, 4 MHz<br>EC oscillator with PLL) |  |
|  |             | 3.3  | 5.5 | mA                    | +25°C                 |   |   |  |
|  |             | 3.3  | 5.5 | mA                    | +85°C                 |   |   |  |
|  |             | 3.6  | 6.0 | mA                    | +125°C                |   |   |  |
|  | All devices | 3.5  | 5.9 | mA                    | -40°C                 | V <sub>DD</sub> = 5V <sup>(5)</sup><br>Regulator Enabled    |   |  |
|  |             | 3.5  | 5.8 | mA                    | +25°C                 |   |   |  |
|  |             | 3.8  | 7.0 | mA                    | +125°C                |   |   |  |
|  | All devices | 12   | 18  | mA                    | -40°C                 | V <sub>DD</sub> = 3.3V <sup>(4)</sup><br>Regulator Disabled |   | F <sub>OSC</sub> = 64 MHz,<br>( <b>PRI_RUN</b> mode, 16 MHz<br>EC oscillator with PLL) |
|  |             | 12   | 18  | mA                    | +25°C                 |   |   |  |
|  |             | 12   | 18  | mA                    | +85°C                 |   |   |  |
|  |             | 13   | 22  | mA                    | +125°C <sup>(7)</sup> |   |   |  |
|  | All devices | 13   | 20  | mA                    | -40°C                 | V <sub>DD</sub> = 5V <sup>(5)</sup><br>Regulator Enabled    |   |  |
| 13   |             | 20   | mA  | +25°C                 |                       |   |   |  |
| 13   |             | 20   | mA  | +85°C                 |                       |   |   |  |
| 14   |             | 24   | mA  | +125°C <sup>(7)</sup> |                       |   |   |  |

- Note 1:** The power-down current in Sleep mode does not depend on the oscillator type. Power-down current is measured with the part in Sleep mode, with all I/O pins in a high-impedance state and tied to V<sub>DD</sub> or V<sub>SS</sub>, and all features that add delta current are disabled (such as WDT, SOSC oscillator, BOR, etc.).
- 2:** The supply current is mainly a function of operating voltage, frequency and mode. Other factors, such as I/O pin loading and switching rate, oscillator type and circuit, internal code execution pattern and temperature, also have an impact on the current consumption.  
The test conditions for all I<sub>DD</sub> measurements in active operation mode are:  
OSC1 = external square wave, from rail-to-rail; all I/O pins tri-stated, pulled to V<sub>DD</sub>;  
MCLR = V<sub>DD</sub>; WDT enabled/disabled as specified.
- 3:** Standard, low-cost 32 kHz crystals have an operating temperature range of -10°C to +70°C. Extended temperature crystals are available at a much higher cost.
- 4:** Voltage regulator disabled (ENVREG = 0, tied to V<sub>SS</sub>,  $\overline{\text{RETEN}}$  (CONFIG1L<0>) = 1).
- 5:** Voltage regulator enabled (ENVREG = 1, tied to V<sub>DD</sub>, SRETEN (WDTCON<4>) = 1 and  $\overline{\text{RETEN}}$  (CONFIG1L<0>) = 0).
- 6:** LCD glass is not connected; resistor current is not included.
- 7:** 48 MHz maximum frequency at 125°C.

# PIC18F87K90 FAMILY

## 31.2 DC Characteristics: Power-Down and Supply Current PIC18F87K90 Family (Industrial/Extended) (Continued)

| PIC18F87K90 Family   |             | Standard Operating Conditions (unless otherwise stated) |     |                       |            |  |
|--|-------------|---|-----|-----------------------|------------|--|
|  |             | Operating temperature                                   |     |                       |            |  |
|  |             | -40°C ≤ TA ≤ +85°C for industrial                       |     |                       |            |  |
|  |             | -40°C ≤ TA ≤ +125°C for extended                        |     |                       |            |  |
| Param No.  | Device      | Typ   | Max | Units                 | Conditions |  |
| <b>Supply Current (I<sub>DD</sub>) Cont.<sup>(2,3)</sup></b> |             |   |     |                       |            |  |
|  | All devices | 42  | 73  | μA                    | -40°C      | V <sub>DD</sub> = 1.8V <sup>(4)</sup><br>Regulator Disabled<br><br>V <sub>DD</sub> = 3.3V <sup>(4)</sup><br>Regulator Disabled<br><br>V <sub>DD</sub> = 5V <sup>(5)</sup><br>Regulator Enabled<br><br>V <sub>DD</sub> = 1.8V <sup>(4)</sup><br>Regulator Disabled<br><br>V <sub>DD</sub> = 3.3V <sup>(4)</sup><br>Regulator Disabled<br><br>V <sub>DD</sub> = 5V <sup>(5)</sup><br>Regulator Enabled<br><br>V <sub>DD</sub> = 3.3V <sup>(4)</sup><br>Regulator Disabled<br><br>V <sub>DD</sub> = 5V <sup>(5)</sup><br>Regulator Enabled<br><br>V <sub>DD</sub> = 3.3V <sup>(4)</sup><br>Regulator Disabled<br><br>V <sub>DD</sub> = 5V <sup>(5)</sup><br>Regulator Enabled |
|  |             | 42  | 73  | μA                    | +25°C      |  |
|  |             | 43  | 74  | μA                    | +85°C      |  |
|  |             | 53  | 100 | μA                    | +125°C     |  |
|  | All devices | 110   | 190 | μA                    | -40°C      |  |
|  |             | 110   | 195 | μA                    | +25°C      |  |
|  |             | 110   | 195 | μA                    | +85°C      |  |
|  | All devices | 130   | 250 | μA                    | +125°C     |  |
|  |             | 280   | 450 | μA                    | -40°C      |  |
|  |             | 290   | 440 | μA                    | +25°C      |  |
|  | All devices | 300   | 460 | μA                    | +85°C      |  |
|  |             | 330   | 500 | μA                    | +125°C     |  |
| All devices  |             | 160   | 360 | μA                    | -40°C      |  |
|  | 160         | 360   | μA  | +25°C                 |            |  |
|  | 170         | 370   | μA  | +85°C                 |            |  |
|  | 200         | 400   | μA  | +125°C                |            |  |
| All devices  | 330         | 650   | μA  | -40°C                 |            |  |
|  | 340         | 660   | μA  | +25°C                 |            |  |
|  | 340         | 660   | μA  | +85°C                 |            |  |
|  | 370         | 700   | μA  | +125°C                |            |  |
| All devices  | 510         | 900   | μA  | -40°C                 |            |  |
|  | 520         | 950   | μA  | +25°C                 |            |  |
|  | 540         | 990   | μA  | +85°C                 |            |  |
|  | 600         | 1200  | μA  | +125°C                |            |  |
| All devices  | 4.7         | 9   | mA  | -40°C                 |            |  |
|  | 4.8         | 9   | mA  | +25°C                 |            |  |
|  | 4.8         | 10  | mA  | +85°C                 |            |  |
|  | 5.2         | 12  | mA  | +125°C <sup>(7)</sup> |            |  |
| All devices  | 5.1         | 11  | mA  | -40°C                 |            |  |
|  | 5.1         | 11  | mA  | +25°C                 |            |  |
|  | 5.2         | 12  | mA  | +85°C                 |            |  |
|  | 5.7         | 14  | mA  | +125°C <sup>(7)</sup> |            |  |

- Note 1:** The power-down current in Sleep mode does not depend on the oscillator type. Power-down current is measured with the part in Sleep mode, with all I/O pins in a high-impedance state and tied to V<sub>DD</sub> or V<sub>SS</sub>, and all features that add delta current are disabled (such as WDT, SOSC oscillator, BOR, etc.).
- 2:** The supply current is mainly a function of operating voltage, frequency and mode. Other factors, such as I/O pin loading and switching rate, oscillator type and circuit, internal code execution pattern and temperature, also have an impact on the current consumption.  
The test conditions for all I<sub>DD</sub> measurements in active operation mode are:  
OSC1 = external square wave, from rail-to-rail; all I/O pins tri-stated, pulled to V<sub>DD</sub>;  
MCLR = V<sub>DD</sub>; WDT enabled/disabled as specified.
- 3:** Standard, low-cost 32 kHz crystals have an operating temperature range of -10°C to +70°C. Extended temperature crystals are available at a much higher cost.
- 4:** Voltage regulator disabled (ENVREG = 0, tied to V<sub>SS</sub>,  $\overline{\text{RETEN}}$  (CONFIG1L<0>) = 1).
- 5:** Voltage regulator enabled (ENVREG = 1, tied to V<sub>DD</sub>, SRETEN (WDTCON<4>) = 1 and  $\overline{\text{RETEN}}$  (CONFIG1L<0>) = 0).
- 6:** LCD glass is not connected; resistor current is not included.
- 7:** 48 MHz maximum frequency at 125°C.

# PIC18F87K90 FAMILY

## 31.2 DC Characteristics: Power-Down and Supply Current PIC18F87K90 Family (Industrial/Extended) (Continued)

| PIC18F87K90 Family  |             | Standard Operating Conditions (unless otherwise stated)  |     |        |            |  |
|---|-------------|--|-----|--------|------------|--|
|   |             | Operating temperature<br>-40°C ≤ TA ≤ +85°C for industrial<br>-40°C ≤ TA ≤ +125°C for extended |     |        |            |  |
| Param No.   | Device      | Typ  | Max | Units  | Conditions |  |
| <b>Supply Current (I<sub>DD</sub>) Cont.</b> <sup>(2,3)</sup> |             |  |     |        |            |  |
|   | All devices | 3.7  | 8.5 | μA     | -40°C      | V <sub>DD</sub> = 1.8V <sup>(4)</sup><br>Regulator Disabled<br><br>V <sub>DD</sub> = 3.3V <sup>(4)</sup><br>Regulator Disabled<br><br>V <sub>DD</sub> = 5V <sup>(5)</sup><br>Regulator Enabled<br><br>V <sub>DD</sub> = 1.8V <sup>(4)</sup><br>Regulator Disabled<br><br>V <sub>DD</sub> = 3.3V <sup>(4)</sup><br>Regulator Disabled<br><br>V <sub>DD</sub> = 5V <sup>(5)</sup><br>Regulator Enabled |
|   |             | 5.4  | 10  | μA     | +25°C      |  |
|   |             | 6.6  | 13  | μA     | +85°C      |  |
|   |             | 13   | 30  | μA     | +125°C     |  |
|   | All devices | 8.7  | 18  | μA     | -40°C      |  |
|   |             | 10   | 20  | μA     | +25°C      |  |
|   |             | 12   | 23  | μA     | +85°C      |  |
|   | All devices | 25   | 60  | μA     | +125°C     |  |
|   |             | 60   | 160 | μA     | -40°C      |  |
|   |             | 90   | 190 | μA     | +25°C      |  |
|   | All devices | 100  | 240 | μA     | +85°C      |  |
|   |             | 200  | 450 | μA     | +125°C     |  |
| All devices   |             | 1.2  | 4   | μA     | -40°C      |  |
|   | 1.7         | 5  | μA  | +25°C  |            |  |
|   | 2.6         | 6  | μA  | +85°C  |            |  |
|   | 9           | 20   | μA  | +125°C |            |  |
| All devices   | 1.6         | 7  | μA  | -40°C  |            |  |
|   | 2.8         | 9  | μA  | +25°C  |            |  |
|   | 4.1         | 10   | μA  | +85°C  |            |  |
|   | 17          | 40   | μA  | +125°C |            |  |
| All devices   | 60          | 150  | μA  | -40°C  |            |  |
|   | 80          | 180  | μA  | +25°C  |            |  |
|   | 100         | 240  | μA  | +85°C  |            |  |
|   | 180         | 440  | μA  | +125°C |            |  |

- Note 1:** The power-down current in Sleep mode does not depend on the oscillator type. Power-down current is measured with the part in Sleep mode, with all I/O pins in a high-impedance state and tied to V<sub>DD</sub> or V<sub>SS</sub>, and all features that add delta current are disabled (such as WDT, SOSC oscillator, BOR, etc.).
- 2:** The supply current is mainly a function of operating voltage, frequency and mode. Other factors, such as I/O pin loading and switching rate, oscillator type and circuit, internal code execution pattern and temperature, also have an impact on the current consumption.  
The test conditions for all I<sub>DD</sub> measurements in active operation mode are:  
 OSC1 = external square wave, from rail-to-rail; all I/O pins tri-stated, pulled to V<sub>DD</sub>;  
 MCLR = V<sub>DD</sub>; WDT enabled/disabled as specified.
- 3:** Standard, low-cost 32 kHz crystals have an operating temperature range of -10°C to +70°C. Extended temperature crystals are available at a much higher cost.
- 4:** Voltage regulator disabled (ENVREG = 0, tied to V<sub>SS</sub>,  $\overline{\text{RETEN}}$  (CONFIG1L<0>) = 1).
- 5:** Voltage regulator enabled (ENVREG = 1, tied to V<sub>DD</sub>, SRETEN (WDTCON<4>) = 1 and  $\overline{\text{RETEN}}$  (CONFIG1L<0>) = 0).
- 6:** LCD glass is not connected; resistor current is not included.
- 7:** 48 MHz maximum frequency at 125°C.

# PIC18F87K90 FAMILY

## 31.2 DC Characteristics: Power-Down and Supply Current PIC18F87K90 Family (Industrial/Extended) (Continued)

| PIC18F87K90 Family   |                                | Standard Operating Conditions (unless otherwise stated)  |         |         |            |   |                |
|--|--------------------------------|--|---------|---------|------------|---|----------------|
|  |                                | Operating temperature<br>-40°C ≤ TA ≤ +85°C for industrial<br>-40°C ≤ TA ≤ +125°C for extended |         |         |            |   |                |
| Param No.  | Device                         | Typ  | Max     | Units   | Conditions |   |                |
| <b>Module Differential Currents (<math>\Delta I_{WDT}</math>, <math>\Delta I_{BOR}</math>, <math>\Delta I_{HLVD}</math>, <math>\Delta I_{OSCB}</math>, <math>\Delta I_{AD}</math>)</b> |                                |  |         |         |            |   |                |
| D022<br>( $\Delta I_{WDT}$ )   | <b>Watchdog Timer</b>          |  |         |         |            |   |                |
|  | All devices                    | 0.3  | 1       | $\mu A$ | -40°C      | VDD = 1.8V <sup>(4)</sup><br>Regulator Disabled |                |
|  |                                | 0.3  | 1       | $\mu A$ | +25°C      |   |                |
|  |                                | 0.3  | 1       | $\mu A$ | +85°C      |   |                |
|  |                                | 0.5  | 2       | $\mu A$ | +125°C     |   |                |
|  | All devices                    | 0.6  | 2       | $\mu A$ | -40°C      | VDD = 3.3V <sup>(4)</sup><br>Regulator Disabled |                |
|  |                                | 0.6  | 2       | $\mu A$ | +25°C      |   |                |
|  |                                | 0.7  | 2       | $\mu A$ | +85°C      |   |                |
|  | All devices                    | 1  | 3       | $\mu A$ | +125°C     | VDD = 5V <sup>(5)</sup><br>Regulator Enabled    |                |
|  |                                | 0.6  | 2       | $\mu A$ | -40°C      |   |                |
|  |                                | 0.6  | 2       | $\mu A$ | +25°C      |   |                |
|  |                                | 0.7  | 2       | $\mu A$ | +85°C      |   |                |
| D022A<br>( $\Delta I_{BOR}$ )<br>( $\Delta I_{BOR}$ )  | <b>Brown-out Reset</b>         |  |         |         |            |   |                |
|  | All devices                    | 4.6  | 19      | $\mu A$ | -40°C      | VDD = 3.3V <sup>(4)</sup><br>Regulator Disabled | High-Power BOR |
|  |                                | 4.5  | 20      | $\mu A$ | +25°C      |   |                |
|  |                                | 4.7  | 20      | $\mu A$ | +85°C      |   |                |
|  |                                | 18   | 40      | $\mu A$ | +125°C     |   |                |
|  | All devices                    | 4.2  | 20      | $\mu A$ | -40°C      | VDD = 5V <sup>(5)</sup><br>Regulator Enabled    | High-Power BOR |
|  |                                | 4.3  | 20      | $\mu A$ | +25°C      |   |                |
|  |                                | 4.4  | 20      | $\mu A$ | +85°C      |   |                |
|  |                                | 20   | 40      | $\mu A$ | +125°C     |   |                |
|  | D022B<br>( $\Delta I_{HLVD}$ ) | <b>High/Low-Voltage Detect</b>   |         |         |            |   |                |
| All devices  |                                | 3.8  | 9       | $\mu A$ | -40°C      | VDD = 1.8V <sup>(4)</sup><br>Regulator Disabled |                |
|  |                                | 4.2  | 9       | $\mu A$ | +25°C      |   |                |
|  |                                | 4.3  | 10      | $\mu A$ | +85°C      |   |                |
|  |                                | 4.5  | 12      | $\mu A$ | +125°C     |   |                |
| All devices  |                                | 4.5  | 11      | $\mu A$ | -40°C      | VDD = 3.3V <sup>(4)</sup><br>Regulator Disabled |                |
|  |                                | 4.8  | 12      | $\mu A$ | +25°C      |   |                |
|  |                                | 4.8  | 12      | $\mu A$ | +85°C      |   |                |
| All devices  |                                | 5.0  | 14      | $\mu A$ | +125°C     | VDD = 5V <sup>(5)</sup><br>Regulator Enabled    |                |
|  |                                | 4.9  | 13      | $\mu A$ | -40°C      |   |                |
|  |                                | 4.9  | 13      | $\mu A$ | +25°C      |   |                |
|  |                                | 4.9  | 13      | $\mu A$ | +85°C      |   |                |
| All devices  | 5.3                            | 15   | $\mu A$ | +125°C  |            |   |                |

- Note 1:** The power-down current in Sleep mode does not depend on the oscillator type. Power-down current is measured with the part in Sleep mode, with all I/O pins in a high-impedance state and tied to VDD or VSS, and all features that add delta current are disabled (such as WDT, SOSC oscillator, BOR, etc.).
- 2:** The supply current is mainly a function of operating voltage, frequency and mode. Other factors, such as I/O pin loading and switching rate, oscillator type and circuit, internal code execution pattern and temperature, also have an impact on the current consumption.  
The test conditions for all IDD measurements in active operation mode are:  
 $\overline{QSC1}$  = external square wave, from rail-to-rail; all I/O pins tri-stated, pulled to VDD;  
 $\overline{MCLR}$  = VDD; WDT enabled/disabled as specified.
- 3:** Standard, low-cost 32 kHz crystals have an operating temperature range of -10°C to +70°C. Extended temperature crystals are available at a much higher cost.
- 4:** Voltage regulator disabled (ENVREG = 0, tied to VSS,  $\overline{RETEN}$  (CONFIG1L<0>) = 1).
- 5:** Voltage regulator enabled (ENVREG = 1, tied to VDD, SRETEN (WDTCON<4>) = 1 and  $\overline{RETEN}$  (CONFIG1L<0>) = 0).
- 6:** LCD glass is not connected; resistor current is not included.
- 7:** 48 MHz maximum frequency at 125°C.

# PIC18F87K90 FAMILY

## 31.2 DC Characteristics: Power-Down and Supply Current PIC18F87K90 Family (Industrial/Extended) (Continued)

| PIC18F87K90 Family               |  | Standard Operating Conditions (unless otherwise stated)   |               |                        |                        |   |
|----------------------------------|--|---|---------------|------------------------|------------------------|---|
|                                  |  | Operating temperature $-40^{\circ}\text{C} \leq T_A \leq +85^{\circ}\text{C}$ for industrial<br>$-40^{\circ}\text{C} \leq T_A \leq +125^{\circ}\text{C}$ for extended |               |                        |                        |   |
| Param No.                        | Device   | Typ   | Max           | Units                  | Conditions             |   |
| D025<br>( $\Delta\text{IRTCC}$ ) | <b>Real-Time Clock/Calendar with SOSC Oscillator</b> |   |               |                        |                        |   |
|                                  | All devices  | 0.7   | 2.7           | $\mu\text{A}$          | $-40^{\circ}\text{C}$  | $V_{\text{DD}} = 1.8\text{V}^{(4)}$<br>Regulator Disabled |
|                                  |  | 0.7   | 2.7           | $\mu\text{A}$          | $+25^{\circ}\text{C}$  |   |
|                                  |  | 1.1   | 2.8           | $\mu\text{A}$          | $+60^{\circ}\text{C}$  |   |
|                                  |  | 1.1   | 2.9           | $\mu\text{A}$          | $+85^{\circ}\text{C}$  |   |
|                                  |  | 2.2   | 4.4           | $\mu\text{A}$          | $+125^{\circ}\text{C}$ |   |
|                                  | All devices  | 1.2   | 2.9           | $\mu\text{A}$          | $-40^{\circ}\text{C}$  | $V_{\text{DD}} = 3.3\text{V}^{(4)}$<br>Regulator Disabled |
|                                  |  | 1.1   | 2.8           | $\mu\text{A}$          | $+25^{\circ}\text{C}$  |   |
|                                  |  | 2   | 4.6           | $\mu\text{A}$          | $+60^{\circ}\text{C}$  |   |
|                                  |  | 2   | 4.8           | $\mu\text{A}$          | $+85^{\circ}\text{C}$  |   |
|                                  | All devices  | 4   | 6.5           | $\mu\text{A}$          | $+125^{\circ}\text{C}$ | $V_{\text{DD}} = 5\text{V}^{(5)}$<br>Regulator Enabled    |
|                                  |  | 1.5   | 4.4           | $\mu\text{A}$          | $-40^{\circ}\text{C}$  |   |
|                                  |  | 1.5   | 4.4           | $\mu\text{A}$          | $+25^{\circ}\text{C}$  |   |
|                                  |  | 1.7   | 4.7           | $\mu\text{A}$          | $+60^{\circ}\text{C}$  |   |
|                                  |  | 1.7   | 4.7           | $\mu\text{A}$          | $+85^{\circ}\text{C}$  |   |
|                                  | D025B<br>( $\Delta\text{LCD}$ )                      | <b>LCD Internal Biasing</b>   |               |                        |                        |   |
| PIC18FXK90                       |  | 0.6   | 2.8           | $\mu\text{A}$          | $-40^{\circ}\text{C}$  | $V_{\text{DD}} = 1.8\text{V}^{(4)}$<br>Regulator Disabled |
|                                  |  | 0.6   | 2.8           | $\mu\text{A}$          | $+25^{\circ}\text{C}$  |   |
|                                  |  | 0.7   | 3.4           | $\mu\text{A}$          | $+85^{\circ}\text{C}$  |   |
|                                  |  | 0.8   | 5.5           | $\mu\text{A}$          | $+125^{\circ}\text{C}$ |   |
| PIC18FXK90                       |  | 1.1   | 3.9           | $\mu\text{A}$          | $-40^{\circ}\text{C}$  | $V_{\text{DD}} = 3.3\text{V}^{(4)}$<br>Regulator Disabled |
|                                  |  | 1.0   | 3.9           | $\mu\text{A}$          | $+25^{\circ}\text{C}$  |   |
|                                  |  | 1.1   | 4.5           | $\mu\text{A}$          | $+85^{\circ}\text{C}$  |   |
|                                  |  | 1.2   | 6.6           | $\mu\text{A}$          | $+125^{\circ}\text{C}$ |   |
| PIC18FXK90                       |  | 1.3   | 5.8           | $\mu\text{A}$          | $-40^{\circ}\text{C}$  | $V_{\text{DD}} = 5\text{V}$<br>Regulator Enabled          |
|                                  |  | 1.2   | 5.8           | $\mu\text{A}$          | $+25^{\circ}\text{C}$  |   |
|                                  |  | 1.6   | 6.5           | $\mu\text{A}$          | $+85^{\circ}\text{C}$  |   |
|                                  | 1.8  | 9.8   | $\mu\text{A}$ | $+125^{\circ}\text{C}$ |                        |   |

- Note 1:** The power-down current in Sleep mode does not depend on the oscillator type. Power-down current is measured with the part in Sleep mode, with all I/O pins in a high-impedance state and tied to  $V_{\text{DD}}$  or  $V_{\text{SS}}$ , and all features that add delta current are disabled (such as WDT, SOSC oscillator, BOR, etc.).
- 2:** The supply current is mainly a function of operating voltage, frequency and mode. Other factors, such as I/O pin loading and switching rate, oscillator type and circuit, internal code execution pattern and temperature, also have an impact on the current consumption.  
The test conditions for all  $I_{\text{DD}}$  measurements in active operation mode are:  
OSC1 = external square wave, from rail-to-rail; all I/O pins tri-stated, pulled to  $V_{\text{DD}}$ ;  
MCLR =  $V_{\text{DD}}$ ; WDT enabled/disabled as specified.
- 3:** Standard, low-cost 32 kHz crystals have an operating temperature range of  $-10^{\circ}\text{C}$  to  $+70^{\circ}\text{C}$ . Extended temperature crystals are available at a much higher cost.
- 4:** Voltage regulator disabled (ENVREG = 0, tied to  $V_{\text{SS}}$ ,  $\overline{\text{RETEN}}$  (CONFIG1L<0>) = 1).
- 5:** Voltage regulator enabled (ENVREG = 1, tied to  $V_{\text{DD}}$ , SRETEN (WDTCON<4>) = 1 and  $\overline{\text{RETEN}}$  (CONFIG1L<0>) = 0).
- 6:** LCD glass is not connected; resistor current is not included.
- 7:** 48 MHz maximum frequency at  $125^{\circ}\text{C}$ .

# PIC18F87K90 FAMILY

## 31.2 DC Characteristics: Power-Down and Supply Current PIC18F87K90 Family (Industrial/Extended) (Continued)

| PIC18F87K90 Family        |                             | Standard Operating Conditions (unless otherwise stated)   |     |               |                        |   |   |
|---------------------------|-----------------------------|---|-----|---------------|------------------------|---|---|
|                           |                             | Operating temperature $-40^{\circ}\text{C} \leq T_A \leq +85^{\circ}\text{C}$ for industrial<br>$-40^{\circ}\text{C} \leq T_A \leq +125^{\circ}\text{C}$ for extended |     |               |                        |   |   |
| Param No.                 | Device                      | Typ   | Max | Units         | Conditions             |   |   |
| D025B<br>( $\Delta$ ILCD) | <b>LCD External Biasing</b> |   |     |               |                        |   |   |
|                           | PIC18FXXK90                 | 0.3   | 1.4 | $\mu\text{A}$ | $-40^{\circ}\text{C}$  | VDD = 1.8V <sup>(4)</sup><br>Regulator Disabled | External biasing <sup>(6)</sup><br>1/4 Multiplex mode<br>Type-A wave form<br>LCD clock is internal RC |
|                           |                             | 0.3   | 1.4 | $\mu\text{A}$ | $+25^{\circ}\text{C}$  |   |   |
|                           |                             | 0.7   | 1.7 | $\mu\text{A}$ | $+85^{\circ}\text{C}$  |   |   |
|                           |                             | 0.8   | 2.3 | $\mu\text{A}$ | $+125^{\circ}\text{C}$ |   |   |
|                           | PIC18FXXK90                 | 0.7   | 2.9 | $\mu\text{A}$ | $-40^{\circ}\text{C}$  | VDD = 3.3V <sup>(4)</sup><br>Regulator Disabled |   |
|                           |                             | 0.7   | 3.5 | $\mu\text{A}$ | $+25^{\circ}\text{C}$  |   |   |
|                           |                             | 1.1   | 3.9 | $\mu\text{A}$ | $+85^{\circ}\text{C}$  |   |   |
|                           | PIC18FXXK90                 | 1.2   | 5.8 | $\mu\text{A}$ | $+125^{\circ}\text{C}$ | VDD = 5V<br>Regulator Enabled                   |   |
|                           |                             | 0.8   | 3.3 | $\mu\text{A}$ | $-40^{\circ}\text{C}$  |   |   |
|                           |                             | 1.1   | 4.1 | $\mu\text{A}$ | $+25^{\circ}\text{C}$  |   |   |
|                           |                             | 1.1   | 4.2 | $\mu\text{A}$ | $+85^{\circ}\text{C}$  |   |   |
|                           |                             |   | 1.3 | 6.2           | $\mu\text{A}$          | $+125^{\circ}\text{C}$                          |   |

- Note 1:** The power-down current in Sleep mode does not depend on the oscillator type. Power-down current is measured with the part in Sleep mode, with all I/O pins in a high-impedance state and tied to VDD or VSS, and all features that add delta current are disabled (such as WDT, SOSC oscillator, BOR, etc.).
- 2:** The supply current is mainly a function of operating voltage, frequency and mode. Other factors, such as I/O pin loading and switching rate, oscillator type and circuit, internal code execution pattern and temperature, also have an impact on the current consumption.  
The test conditions for all IDD measurements in active operation mode are:  
OSC1 = external square wave, from rail-to-rail; all I/O pins tri-stated, pulled to VDD;  
MCLR = VDD; WDT enabled/disabled as specified.
- 3:** Standard, low-cost 32 kHz crystals have an operating temperature range of  $-10^{\circ}\text{C}$  to  $+70^{\circ}\text{C}$ . Extended temperature crystals are available at a much higher cost.
- 4:** Voltage regulator disabled (ENVREG = 0, tied to VSS,  $\overline{\text{RETEN}}$  (CONFIG1L<0>) = 1).
- 5:** Voltage regulator enabled (ENVREG = 1, tied to VDD, SRETEN (WDTCON<4>) = 1 and  $\overline{\text{RETEN}}$  (CONFIG1L<0>) = 0).
- 6:** LCD glass is not connected; resistor current is not included.
- 7:** 48 MHz maximum frequency at  $125^{\circ}\text{C}$ .

# PIC18F87K90 FAMILY

## 31.3 DC Characteristics: PIC18F87K90 Family (Industrial/Extended)

| DC CHARACTERISTICS |                   |  | Standard Operating Conditions (unless otherwise stated)<br>Operating temperature $-40^{\circ}\text{C} \leq T_A \leq +85^{\circ}\text{C}$ for industrial<br>$-40^{\circ}\text{C} \leq T_A \leq +125^{\circ}\text{C}$ for extended |                      |       |   |
|--------------------|-------------------|--|--|----------------------|-------|---|
| Param No.          | Symbol            | Characteristic                             | Min  | Max                  | Units | Conditions  |
|                    | V <sub>IL</sub>   | <b>Input Low Voltage</b>                   |  |                      |       |   |
| D030               |                   | All I/O Ports:<br>with TTL Buffer          | V <sub>SS</sub>  | 0.15 V <sub>DD</sub> | V     | V <sub>DD</sub> < 4.5V  |
| D031               |                   | with Schmitt Trigger Buffer                | —  | 0.8                  | V     | 4.5 ≤ V <sub>DD</sub> ≤ 5.5V  |
|                    |                   | RC3, RC4                                   | V <sub>SS</sub>  | 0.2 V <sub>DD</sub>  | V     | V <sub>DD</sub> < 4.5   |
|                    |                   | RD5, RD6                                   | V <sub>SS</sub>  | 1.5                  | V     | 4.5 ≤ V <sub>DD</sub> ≤ 5.5V  |
| D031A              |                   | RC3, RC4                                   | V <sub>SS</sub>  | 0.3 V <sub>DD</sub>  | V     | I <sup>2</sup> C™ enabled   |
| D031B              |                   | RD5, RD6                                   | V <sub>SS</sub>  | 0.8                  | V     | SMBus enabled   |
| D032               |                   | $\overline{\text{MCLR}}$                   | V <sub>SS</sub>  | 0.2 V <sub>DD</sub>  | V     |   |
| D033               |                   | OSC1                                       | V <sub>SS</sub>  | 0.2 V <sub>DD</sub>  | V     | LP, XT, HS, HSPLL modes   |
| D033A              |                   | OSC1                                       | V <sub>SS</sub>  | 0.2 V <sub>DD</sub>  | V     | EC, ECPLL modes   |
| D034               |                   | SOSCI                                      | V <sub>SS</sub>  | 0.3 V <sub>DD</sub>  | V     |   |
|                    | V <sub>IH</sub>   | <b>Input High Voltage</b>                  |  |                      |       |   |
| D040               |                   | I/O Ports:<br>with TTL Buffer              | 0.25 V <sub>DD</sub>   | V <sub>DD</sub>      | V     | V <sub>DD</sub> < 4.5V  |
|                    |                   |  | 2.0  | V <sub>DD</sub>      |       | 4.5 ≤ V <sub>DD</sub> ≤ 5.5V  |
| D041               |                   | with Schmitt Trigger Buffer                | 0.8 V <sub>DD</sub>  | V <sub>DD</sub>      | V     |   |
|                    |                   | RC3, RC4                                   | 0.7 V <sub>DD</sub>  | V <sub>DD</sub>      | V     | V <sub>DD</sub> < 4.5   |
|                    |                   | RD5, RD6                                   | 3V   | 5.5                  | V     | 4.5 ≤ V <sub>DD</sub> ≤ 5.5V  |
| D041A              |                   | RC3, RC4                                   | 0.7 V <sub>DD</sub>  | V <sub>DD</sub>      | V     | I <sup>2</sup> C enabled  |
| D041B              |                   | RD5, RD6                                   | 2.1  | V <sub>DD</sub>      | V     | SMBus enabled   |
| D042               |                   | $\overline{\text{MCLR}}$                   | 0.8 V <sub>DD</sub>  | V <sub>DD</sub>      | V     |   |
| D043               |                   | OSC1                                       | 0.7 V <sub>DD</sub>  | V <sub>DD</sub>      | V     | LP, XT, HS, HSPLL modes   |
| D043A              |                   | OSC1                                       | 0.8 V <sub>DD</sub>  | V <sub>DD</sub>      | V     | EC, ECPLL modes   |
| D044               |                   | SOSCI                                      | 0.7 V <sub>DD</sub>  | V <sub>DD</sub>      | V     |   |
|                    | I <sub>IL</sub>   | <b>Input Leakage Current<sup>(1)</sup></b> |  |                      |       |   |
| D060               |                   | I/O Ports                                  | ±50  | ±200                 | nA    | V <sub>SS</sub> ≤ V <sub>PIN</sub> ≤ V <sub>DD</sub> ,<br>Pin at High-Impedance |
| D061               |                   | $\overline{\text{MCLR}}$                   | —  | ±5                   | μA    | V <sub>SS</sub> ≤ V <sub>PIN</sub> ≤ V <sub>DD</sub>                            |
| D063               |                   | OSC1                                       | —  | ±5                   | μA    | V <sub>SS</sub> ≤ V <sub>PIN</sub> ≤ V <sub>DD</sub>                            |
|                    | I <sub>PU</sub>   | <b>Weak Pull-up Current</b>                |  |                      |       |   |
| D070               | I <sub>PURB</sub> | PORTB Weak Pull-up Current                 | 50   | 400                  | μA    | V <sub>DD</sub> = 3.3V, V <sub>PIN</sub> = V <sub>SS</sub>                      |

**Note 1:** Negative current is defined as current sourced by the pin.

# PIC18F87K90 FAMILY

## 31.3 DC Characteristics: PIC18F87K90 Family (Industrial/Extended) (Continued)

| DC CHARACTERISTICS |        |   | Standard Operating Conditions (unless otherwise stated)<br>Operating temperature $-40^{\circ}\text{C} \leq T_A \leq +85^{\circ}\text{C}$ for industrial<br>$-40^{\circ}\text{C} \leq T_A \leq +125^{\circ}\text{C}$ for extended |     |       |   |
|--------------------|--------|---|--|-----|-------|---|
| Param No.          | Symbol | Characteristic  | Min  | Max | Units | Conditions  |
| D080               | VOL    | <b>Output Low Voltage</b><br>I/O Ports:<br>PORTA,PORTB,PORTC                | —  | 0.6 | V     | $I_{OL} = 8.5 \text{ mA}$ , $V_{DD} = 4.5\text{V}$ ,<br>$-40^{\circ}\text{C}$ to $+125^{\circ}\text{C}$ |
| D083               |        | PORTD, PORTE, PORTF,<br>PORTG, PORTH, PORTJ                                 | —  | 0.6 | V     | $I_{OL} = 3.5 \text{ mA}$ , $V_{DD} = 4.5\text{V}$ ,<br>$-40^{\circ}\text{C}$ to $+125^{\circ}\text{C}$ |
|                    |        | OSC2/CLKO<br>(EC modes)   | —  | 0.6 | V     | $I_{OL} = 1.6 \text{ mA}$ , $V_{DD} = 5.5\text{V}$ ,<br>$-40^{\circ}\text{C}$ to $+125^{\circ}\text{C}$ |
| D090               | VOH    | <b>Output High Voltage<sup>(1)</sup></b><br>I/O Ports:<br>PORTA,PORTB,PORTC | $V_{DD} - 0.7$   | —   | V     | $I_{OH} = -3 \text{ mA}$ , $V_{DD} = 4.5\text{V}$ ,<br>$-40^{\circ}\text{C}$ to $+125^{\circ}\text{C}$  |
| D092               |        | PORTD, PORTE, PORTF,<br>PORTG, PORTH, PORTJ                                 | $V_{DD} - 0.7$   | —   | V     | $I_{OH} = -2 \text{ mA}$ , $V_{DD} = 4.5\text{V}$ ,<br>$-40^{\circ}\text{C}$ to $+125^{\circ}\text{C}$  |
|                    |        | OSC2/CLKO<br>(INTOSC, EC modes)   | $V_{DD} - 0.7$   | —   | V     | $I_{OH} = -1 \text{ mA}$ , $V_{DD} = 5.5\text{V}$ ,<br>$-40^{\circ}\text{C}$ to $+125^{\circ}\text{C}$  |
| D100               | COSC2  | <b>Capacitive Loading Specs<br/>on Output Pins</b><br>OSC2 Pin              | —  | 20  | pF    | In HS mode when external<br>clock is used to drive OSC1   |
| D101               | Cio    | All I/O Pins and OSC2   | —  | 50  | pF    | To meet the AC Timing<br>Specifications   |
| D102               | CB     | SCLx, SDAx  | —  | 400 | pF    | I <sup>2</sup> C™ Specification   |

**Note 1:** Negative current is defined as current sourced by the pin.

## 31.4 DC Characteristics: CTMU Current Source Specifications

| DC CHARACTERISTICS |       |                                    | Standard Operating Conditions: 1.8V to 3.6V (unless otherwise stated)<br>Operating temperature $-40^{\circ}\text{C} \leq T_A \leq +85^{\circ}\text{C}$ for industrial<br>$-40^{\circ}\text{C} \leq T_A \leq +125^{\circ}\text{C}$ for extended |                    |     |       |                    |
|--------------------|-------|------------------------------------|--|--------------------|-----|-------|--------------------|
| Param No.          | Sym   | Characteristic                     | Min  | Typ <sup>(1)</sup> | Max | Units | Conditions         |
|                    | IOUT1 | CTMU Current Source,<br>Base Range | —  | 550                | —   | nA    | CTMUICON<1:0> = 01 |
|                    | IOUT2 | CTMU Current Source,<br>10x Range  | —  | 5.5                | —   | μA    | CTMUICON<1:0> = 10 |
|                    | IOUT3 | CTMU Current Source,<br>100x Range | —  | 55                 | —   | μA    | CTMUICON<1:0> = 11 |

**Note 1:** Nominal value at center point of current trim range (CTMUICON<7:2> = 000000).



# PIC18F87K90 FAMILY

**TABLE 31-1: MEMORY PROGRAMMING REQUIREMENTS**

| DC CHARACTERISTICS  |       |  | Standard Operating Conditions (unless otherwise stated)<br>Operating temperature $-40^{\circ}\text{C} \leq T_A \leq +85^{\circ}\text{C}$ for industrial<br>$-40^{\circ}\text{C} \leq T_A \leq +125^{\circ}\text{C}$ for extended |      |     |       |   |
|---|-------|--|--|------|-----|-------|---|
| Param No.   | Sym   | Characteristic   | Min  | Typ† | Max | Units | Conditions                                      |
| <b>Internal Program Memory Programming Specifications<sup>(1)</sup></b> |       |  |  |      |     |       |   |
| D110  | VPP   | Voltage on $\overline{\text{MCLR}}/\text{VPP}/\text{RE5}$ pin    | VDD + 1.5  | —    | 9   | V     | <b>(Note 3)</b>                                 |
| D113  | IDDP  | Supply Current during Programming                                | —  | —    | 10  | mA    |   |
| <b>Data EEPROM Memory</b>   |       |  |  |      |     |       |   |
| D120  | ED    | Byte Endurance   | 100K   | —    | —   | E/W   | <b>(Note 2)</b><br>-40°C to +125°C              |
| D121  | VDRW  | VDD for Read/Write   | 1.8  | —    | 5.5 | V     |   |
|   |       |  | 1.8  | —    | 3.6 | V     | Using EECON to read/write<br>ENVREG tied to VSS |
| D122  | TDEW  | Erase/Write Cycle Time   | —  | 4    | —   | ms    | Provided no other specifications are violated   |
| D123  | TRETD | Characteristic Retention   | 40   | —    | —   | Year  |   |
| D124  | TREF  | Number of Total Erase/Write Cycles before Refresh <sup>(2)</sup> | 1M   | 10M  | —   | E/W   |   |
| <b>Program Flash Memory</b>   |       |  |  |      |     |       |   |
| D130  | EP    | Cell Endurance   | 10K  | —    | —   | E/W   | -40°C to +125°C                                 |
| D131  | VPR   | VDD for Read   | 1.8  | —    | 5.5 | V     | ENVREG tied to VDD                              |
|   |       |  | 1.8  | —    | 3.6 | V     | ENVREG tied to VSS                              |
| D132B   | VPEW  | Voltage for Self-Timed Erase or Write Operations<br>VDD          | 1.8  | —    | 5.5 | V     | ENVREG tied to VDD                              |
| D133A   | TIW   | Self-Timed Write Cycle Time                                      | —  | 2    | —   | ms    | Provided no other specifications are violated   |
| D134  | TRETD | Characteristic Retention   | 40   | —    | —   | Year  |   |
| D135  | IDDP  | Supply Current during Programming                                | —  | —    | 10  | mA    | For each physical address                       |
| D140  | TWE   | Writes per Erase Cycle   | —  | —    | 1   |       |   |

† Data in “Typ” column is at 3.3V, 25°C unless otherwise stated. These parameters are for design guidance only and are not tested.

- Note 1:** These specifications are for programming the on-chip program memory through the use of table write instructions.
- 2:** Refer to [Section 8.8 “Using the Data EEPROM”](#) for a more detailed discussion on data EEPROM endurance.
- 3:** The MPLAB® ICD 2 does not support variable VPP output. Circuitry to limit the ICD 2 VPP voltage must be placed between the ICD 2 and target system when programming or debugging with the ICD 2.

# PIC18F87K90 FAMILY

**TABLE 31-2: COMPARATOR SPECIFICATIONS**

| Operating Conditions: $1.8V \leq V_{DD} \leq 5V$ , $-40^{\circ}C \leq T_A \leq +125^{\circ}C$ (unless otherwise stated) |                    |   |     |      |                 |       |          |
|---|--------------------|---|-----|------|-----------------|-------|----------|
| Param No.   | Sym                | Characteristics                         | Min | Typ  | Max             | Units | Comments |
| D300  | V <sub>IOFF</sub>  | Input Offset Voltage                    | —   | ±5.0 | 40              | mV    |          |
| D301  | V <sub>ICM</sub>   | Input Common-Mode Voltage               | —   | —    | $AV_{DD} - 1.5$ | V     |          |
| D302  | CMRR               | Common-Mode Rejection Ratio             | 55  | —    | —               | dB    |          |
| D303  | T <sub>RESP</sub>  | Response Time <sup>(1)</sup>            | —   | 150  | 400             | ns    |          |
| D304  | T <sub>MC2OV</sub> | Comparator Mode Change to Output Valid* | —   | —    | 10              | μs    |          |

**Note 1:** Response time measured with one comparator input at  $(AV_{DD} - 1.5)/2$ , while the other input transitions from  $V_{SS}$  to  $V_{DD}$ .

**TABLE 31-3: VOLTAGE REFERENCE SPECIFICATIONS**

| Operating Conditions: $1.8V \leq V_{DD} \leq 5V$ , $-40^{\circ}C \leq T_A \leq +125^{\circ}C$ (unless otherwise stated) |                  |                              |     |             |     |       |          |
|---|------------------|------------------------------|-----|-------------|-----|-------|----------|
| Param No.   | Sym              | Characteristics              | Min | Typ         | Max | Units | Comments |
| D310  | V <sub>RES</sub> | Resolution                   | —   | $V_{DD}/32$ | —   | LSb   |          |
| D311  | V <sub>RAA</sub> | Absolute Accuracy            | —   | —           | 1/2 | LSb   |          |
| D312  | V <sub>RUR</sub> | Unit Resistor Value (R)      | —   | 2k          | —   | Ω     |          |
| D313  | T <sub>SET</sub> | Settling Time <sup>(1)</sup> | —   | —           | 10  | μs    |          |

**Note 1:** Settling time measured while  $CVRR = 1$  and  $CVR<3:0>$  transitions from '0000' to '1111'.

**TABLE 31-4: INTERNAL VOLTAGE REGULATOR SPECIFICATIONS**

| Operating Conditions: $-40^{\circ}C \leq T_A \leq +125^{\circ}C$ (unless otherwise stated) |                    |                                 |     |     |     |       |   |
|--|--------------------|---------------------------------|-----|-----|-----|-------|---|
| Param No.  | Sym                | Characteristics                 | Min | Typ | Max | Units | Comments  |
|  | VR <sub>GOUT</sub> | Regulator Output Voltage        | —   | 3.3 | —   | V     |   |
|  | CE <sub>F</sub> C  | External Filter Capacitor Value | 4.7 | 10  | —   | μF    | Capacitor must be low-ESR, a low series resistance (< 5Ω) |

# PIC18F87K90 FAMILY

## 31.5 AC (Timing) Characteristics

### 31.5.1 TIMING PARAMETER SYMBOLOGY

The timing parameter symbols have been created following one of the following formats:

1. TppS2ppS
2. TppS
3. TCC:ST (I<sup>2</sup>C specifications only)
4. Ts (I<sup>2</sup>C specifications only)

|                                  |                    |
|----------------------------------|--------------------|
| <p>T</p> <p>F      Frequency</p> | <p>T      Time</p> |
|----------------------------------|--------------------|

Lowercase letters (pp) and their meanings:

|  |   |
|--|---|
| <p>pp</p> <p>cc      CCP1</p> <p>ck      CLKO</p> <p>cs      <math>\overline{CS}</math></p> <p>di      SDI</p> <p>do      SDO</p> <p>dt      Data in</p> <p>io      I/O port</p> <p>mc      <math>\overline{MCLR}</math></p> | <p>osc      OSC1</p> <p>rd      <math>\overline{RD}</math></p> <p>rw      <math>\overline{RD}</math> or <math>\overline{WR}</math></p> <p>sc      SCK</p> <p>ss      <math>\overline{SS}</math></p> <p>t0      T0CKI</p> <p>t1      T1CKI</p> <p>wr      <math>\overline{WR}</math></p> |
|--|---|

Uppercase letters and their meanings:

|  |   |
|--|---|
| <p>S</p> <p>F      Fall</p> <p>H      High</p> <p>I      Invalid (High-Impedance)</p> <p>L      Low</p> <p>I<sup>2</sup>C only</p> <p>AA      output access</p> <p>BUF      Bus free</p> | <p>P      Period</p> <p>R      Rise</p> <p>V      Valid</p> <p>Z      High-Impedance</p> <p>High    High</p> <p>Low     Low</p> |
|--|---|

TCC:ST (I<sup>2</sup>C specifications only)

|   |  |
|---|--|
| <p>CC</p> <p>HD      Hold</p> <p>ST</p> <p>DAT     DATA input hold</p> <p>STA     Start condition</p> | <p>SU      Setup</p> <p>STO     Stop condition</p> |
|---|--|

# PIC18F87K90 FAMILY

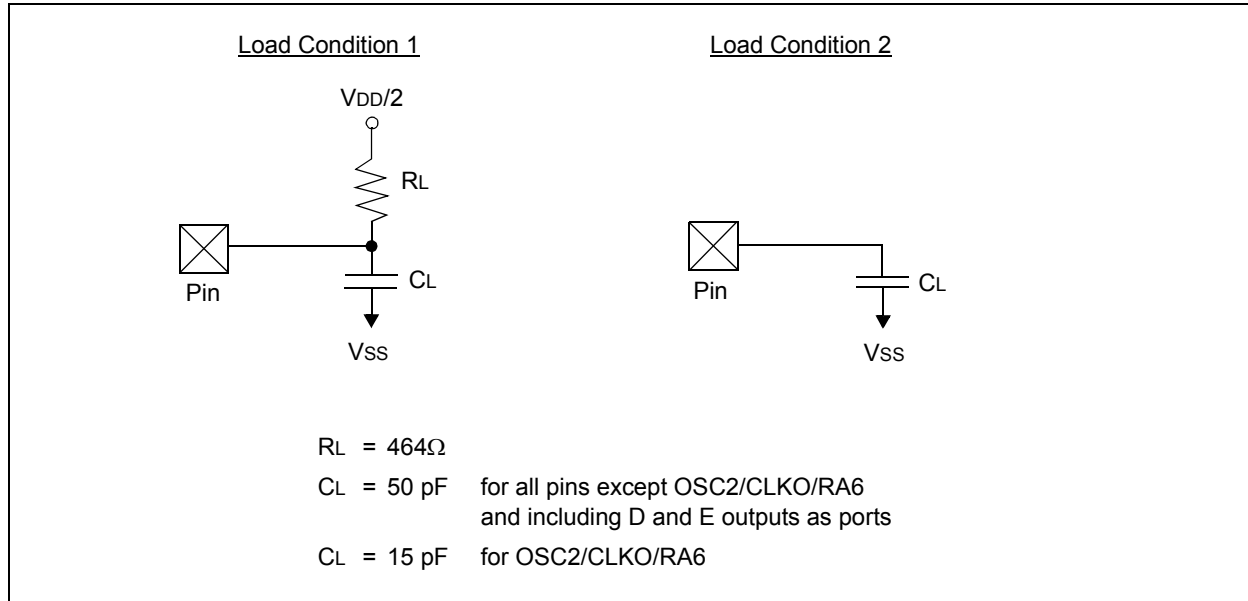
## 31.5.2 TIMING CONDITIONS

The temperature and voltages specified in [Table 31-5](#) apply to all timing specifications unless otherwise noted. [Figure 31-3](#) specifies the load conditions for the timing specifications.

**TABLE 31-5: TEMPERATURE AND VOLTAGE SPECIFICATIONS – AC**

| Standard Operating Conditions (unless otherwise stated) |  |
|---|--|
| AC CHARACTERISTICS                                      | Operating temperature $-40^{\circ}\text{C} \leq T_A \leq +85^{\circ}\text{C}$ for industrial                     |
|   | $-40^{\circ}\text{C} \leq T_A \leq +125^{\circ}\text{C}$ for extended  |
|   | Operating voltage $V_{DD}$ range as described in <a href="#">Section 31.1</a> and <a href="#">Section 31.3</a> . |

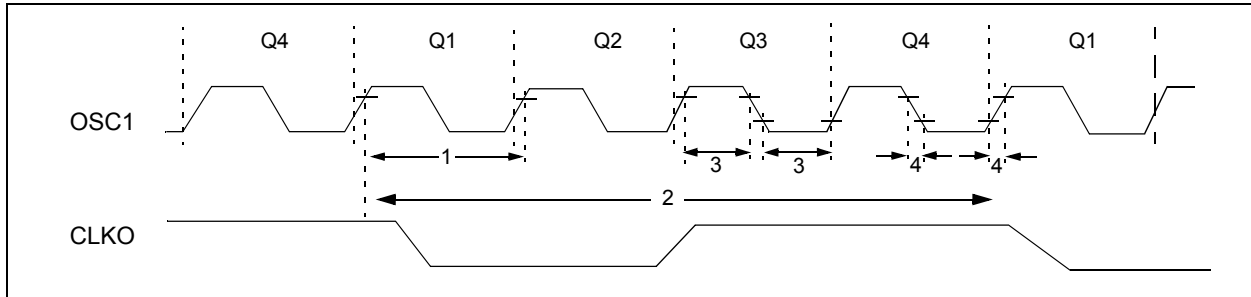
**FIGURE 31-3: LOAD CONDITIONS FOR DEVICE TIMING SPECIFICATIONS**



# PIC18F87K90 FAMILY

## 31.5.3 TIMING DIAGRAMS AND SPECIFICATIONS

**FIGURE 31-4: EXTERNAL CLOCK TIMING**



**TABLE 31-6: EXTERNAL CLOCK TIMING REQUIREMENTS**

| Param. No. | Symbol                              | Characteristic   | Min                      | Max    | Units              | Conditions                                   |
|------------|-------------------------------------|--|--------------------------|--------|--------------------|--|
| 1A         | Fosc                                | External CLKIN Frequency <sup>(1)</sup>                                  | DC                       | 64     | MHz                | EC, ECIO Oscillator mode, -40°C ≤ TA ≤ +85°C |
|            |                                     |  | DC                       | 48     | MHz                | -40°C ≤ TA ≤ +125°C                          |
|            | Oscillator Frequency <sup>(1)</sup> | DC   | 4                        | MHz    | RC Oscillator mode |  |
|            |                                     | 0.1  | 4                        | MHz    | XT Oscillator mode |  |
|            |                                     | 4  | 16                       | MHz    | HS Oscillator mode |  |
| 4          | 16                                  | MHz  | HS + PLL Oscillator mode |        |                    |  |
| 5          | 33                                  | kHz  | LP Oscillator mode       |        |                    |  |
| 1          | Tosc                                | External CLKIN Period <sup>(1)</sup><br>Oscillator Period <sup>(1)</sup> | 15.6                     | —      | ns                 | EC, ECIO Oscillator mode                     |
|            |                                     |  | 250                      | —      | ns                 | RC Oscillator mode                           |
|            |                                     |  | 250                      | 10,000 | ns                 | XT Oscillator mode                           |
|            |                                     |  | 40                       | 250    | ns                 | HS Oscillator mode                           |
|            |                                     |  | 62.5                     | 250    | ns                 | HS + PLL Oscillator mode                     |
| 5          | 200                                 | μs   | LP Oscillator mode       |        |                    |  |
| 2          | Tcy                                 | Instruction Cycle Time <sup>(1)</sup>                                    | 62.5                     | —      | ns                 | Tcy = 4/Fosc                                 |
| 3          | TosL,<br>TosH                       | External Clock in (OSC1)<br>High or Low Time                             | 30                       | —      | ns                 | XT Oscillator mode                           |
|            |                                     |  | 2.5                      | —      | μs                 | LP Oscillator mode                           |
|            |                                     |  | 10                       | —      | ns                 | HS Oscillator mode                           |
| 4          | TosR,<br>TosF                       | External Clock in (OSC1)<br>Rise or Fall Time                            | —                        | 20     | ns                 | XT Oscillator mode                           |
|            |                                     |  | —                        | 50     | ns                 | LP Oscillator mode                           |
|            |                                     |  | —                        | 7.5    | ns                 | HS Oscillator mode                           |

**Note 1:** Instruction cycle period (Tcy) equals four times the input oscillator time base period for all configurations except PLL. All specified values are based on characterization data for that particular oscillator type under standard operating conditions with the device executing code. Exceeding these specified limits may result in an unstable oscillator operation and/or higher than expected current consumption. All devices are tested to operate at “min.” values with an external clock applied to the OSC1/CLKIN pin. When an external clock input is used, the “max.” cycle time limit is “DC” (no clock) for all devices.

# PIC18F87K90 FAMILY

**TABLE 31-7: PLL CLOCK TIMING SPECIFICATIONS (V<sub>DD</sub> = 1.8V TO 5.5V)**

| Param No. | Sym             | Characteristic                | Min | Typ† | Max | Units | Conditions                                  |
|-----------|-----------------|-------------------------------|-----|------|-----|-------|---|
| F10       | FOSC            | Oscillator Frequency Range    | 4   | —    | 5   | MHz   | V <sub>DD</sub> = 1.8-5.5V                  |
|           |                 |                               | 4   | —    | 16  | MHz   | V <sub>DD</sub> = 3.0-5.5V, -40°C to +85°C  |
|           |                 |                               | 4   | —    | 12  | MHz   | V <sub>DD</sub> = 3.0-5.5V, -40°C to +125°C |
| F11       | FSYS            | On-Chip VCO System Frequency  | 16  | —    | 20  | MHz   | V <sub>DD</sub> = 1.8-5.5V                  |
|           |                 |                               | 16  | —    | 64  | MHz   | V <sub>DD</sub> = 3.0-5.5V, -40°C to +85°C  |
|           |                 |                               | 16  | —    | 48  | MHz   | V <sub>DD</sub> = 3.0-5.5V, -40°C to +125°C |
| F12       | t <sub>rc</sub> | PLL Start-up Time (Lock Time) | —   | —    | 2   | ms    |   |
| F13       | ΔCLK            | CLKOUT Stability (Jitter)     | -2  | —    | +2  | %     |   |

† Data in “Typ” column is at 3V, 25°C unless otherwise stated. These parameters are for design guidance only and are not tested.

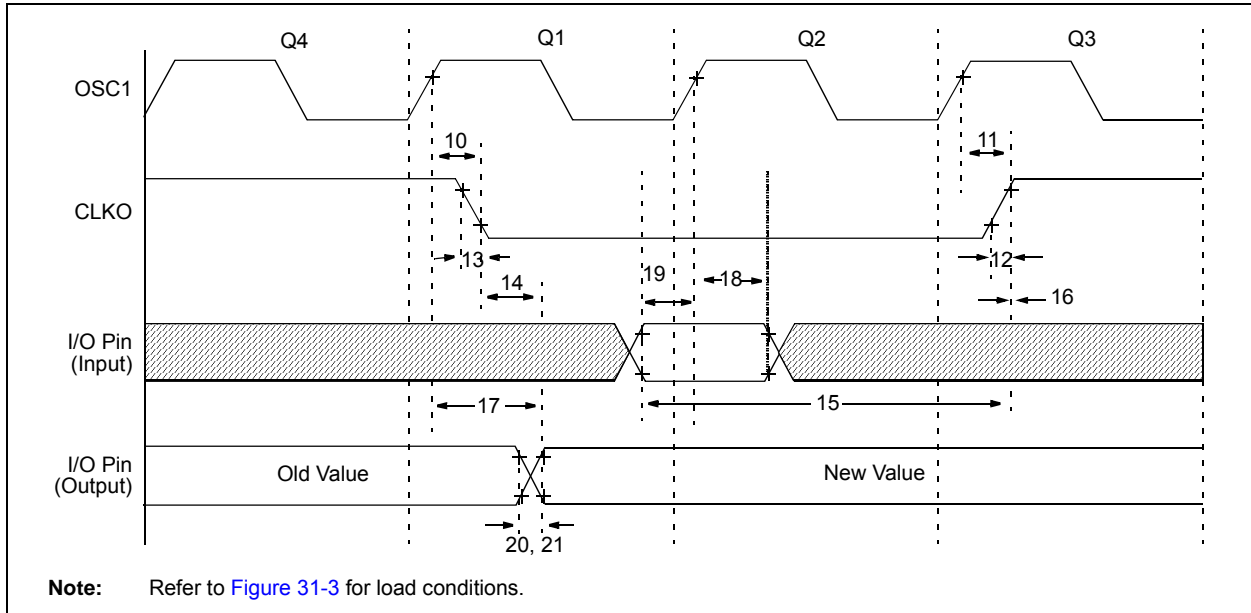
**TABLE 31-8: INTERNAL RC ACCURACY (INTOSC)**

| PIC18F87K90 Family |   | Standard Operating Conditions (unless otherwise stated) |     |   |       |                 |                            |
|--------------------|---|---|-----|---|-------|-----------------|----------------------------|
|                    |   | Operating temperature                                   |     | -40°C ≤ TA ≤ +85°C industrial<br>-40°C ≤ TA ≤ +125°C extended |       |                 |                            |
| Param No.          |   | Min   | Typ | Max   | Units | Conditions      |                            |
| OA1                | <b>HF-INTOSC Accuracy @ Freq = 16 MHz, 8 MHz, 4 MHz, 2 MHz, 1 MHz, 500 kHz, 250 kHz<sup>(1)</sup></b> |   |     |   |       |                 |                            |
|                    |   | -2  | —   | 2   | %     | +25°C           | V <sub>DD</sub> = 3.0-5.0V |
|                    |   | -5  | —   | 5   | %     | -40°C to +85°C  | V <sub>DD</sub> = 3.0-5.0V |
|                    |   | -5  | —   | 5   | %     | -40°C to +85°C  | V <sub>DD</sub> = 1.8-5.0V |
| OA2                | <b>LF-INTOSC Accuracy @ Freq = 31 kHz</b>   |   |     |   |       |                 |                            |
|                    |   | -15   | —   | 15  | %     | -40°C to +125°C | V <sub>DD</sub> = 1.8-5.0V |

**Note 1:** Frequency calibrated at 25°C. OSCTUNE register can be used to compensate for temperature drift.

# PIC18F87K90 FAMILY

**FIGURE 31-5: CLKO AND I/O TIMING**



**TABLE 31-9: CLKO AND I/O TIMING REQUIREMENTS**

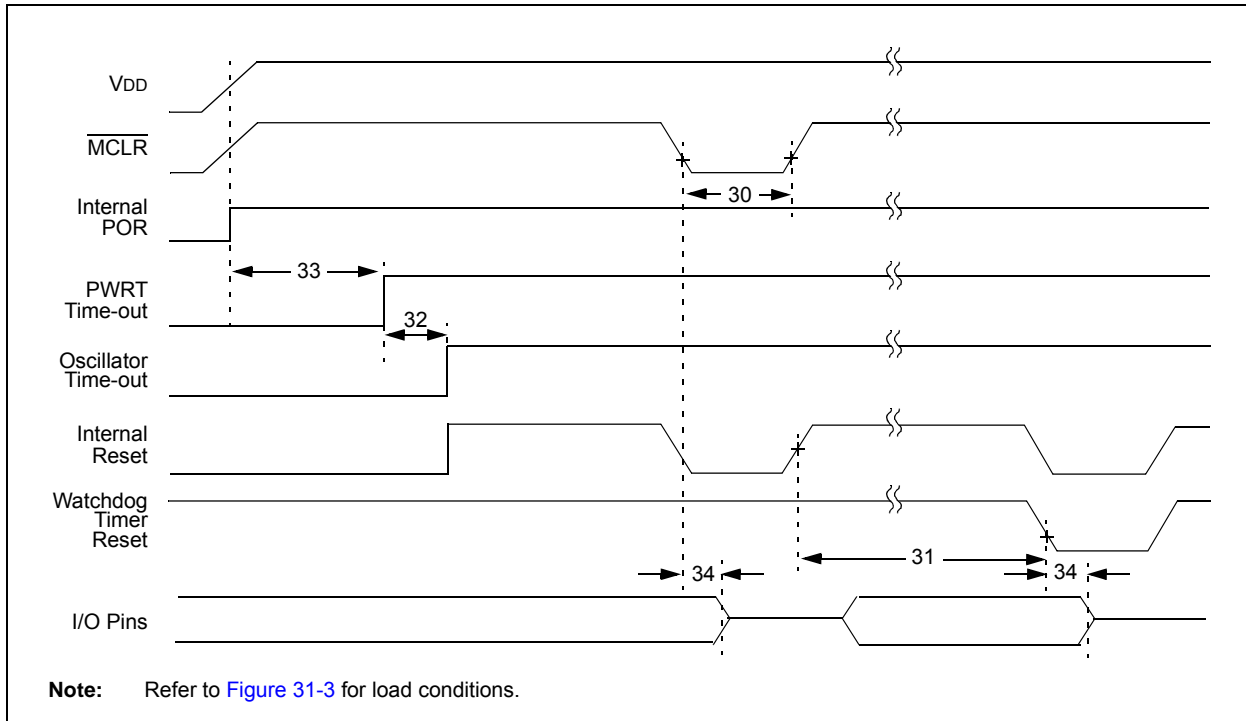
| Param No. | Symbol   | Characteristic   | Min                | Typ | Max               | Units | Conditions |
|-----------|----------|--|--------------------|-----|-------------------|-------|------------|
| 10        | TosH2ckL | OSC1 ↑ to CLKO ↓   | —                  | 75  | 200               | ns    | (Note 1)   |
| 11        | TosH2ckH | OSC1 ↑ to CLKO ↑   | —                  | 75  | 200               | ns    | (Note 1)   |
| 12        | TckR     | CLKO Rise Time   | —                  | 15  | 30                | ns    | (Note 1)   |
| 13        | TckF     | CLKO Fall Time   | —                  | 15  | 30                | ns    | (Note 1)   |
| 14        | TckL2ioV | CLKO ↓ to Port Out Valid                                   | —                  | —   | $0.5 T_{CY} + 20$ | ns    |            |
| 15        | TioV2ckH | Port In Valid before CLKO ↑                                | $0.25 T_{CY} + 25$ | —   | —                 | ns    |            |
| 16        | TckH2ioI | Port In Hold after CLKO ↑                                  | 0                  | —   | —                 | ns    |            |
| 17        | TosH2ioV | OSC1 ↑ (Q1 cycle) to Port Out Valid                        | —                  | 50  | 150               | ns    |            |
| 18        | TosH2ioI | OSC1 ↑ (Q2 cycle) to Port Input Invalid (I/O in hold time) | 100                | —   | —                 | ns    |            |
| 19        | TioV2osH | Port Input Valid to OSC1 ↑ (I/O in setup time)             | 0                  | —   | —                 | ns    |            |
| 20        | TioR     | Port Output Rise Time                                      | —                  | 10  | 25                | ns    |            |
| 21        | TioF     | Port Output Fall Time                                      | —                  | 10  | 25                | ns    |            |
| 22†       | TINP     | INTx pin High or Low Time                                  | 20                 | —   | —                 | ns    |            |
| 23†       | TRBP     | RB<7:4> Change INTx High or Low Time                       | T <sub>CY</sub>    | —   | —                 | ns    |            |

† These parameters are asynchronous events not related to any internal clock edges.

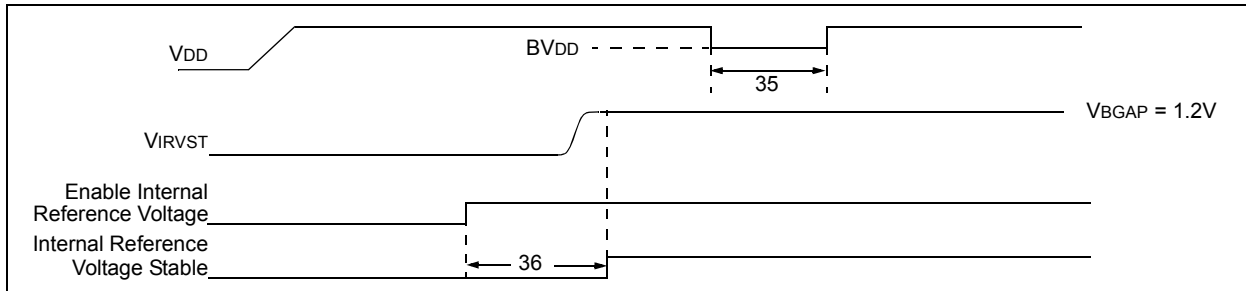
**Note 1:** Measurements are taken in EC mode, where CLKO output is 4 x T<sub>osc</sub>.

# PIC18F87K90 FAMILY

**FIGURE 31-6: RESET, WATCHDOG TIMER, OSCILLATOR START-UP TIMER AND POWER-UP TIMER TIMING**



**FIGURE 31-7: BROWN-OUT RESET TIMING**





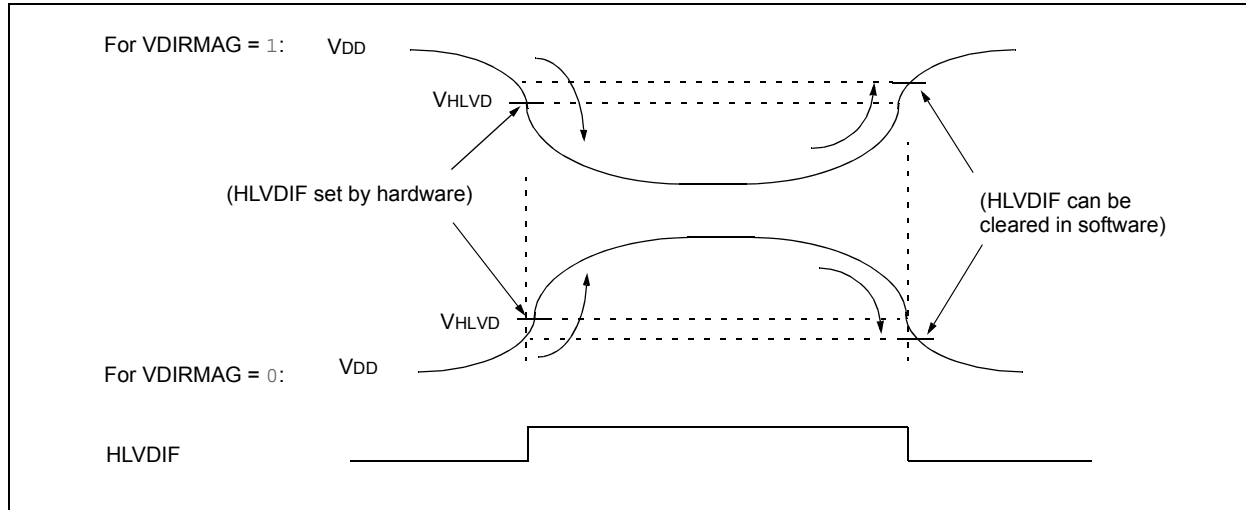
# PIC18F87K90 FAMILY

**TABLE 31-10: RESET, WATCHDOG TIMER, OSCILLATOR START-UP TIMER, POWER-UP TIMER AND BROWN-OUT RESET REQUIREMENTS**

| Param. No. | Symbol | Characteristic   | Min       | Typ  | Max       | Units | Conditions                     |
|------------|--------|--|-----------|------|-----------|-------|--------------------------------|
| 30         | TmCL   | MCLR Pulse Width (low)                                   | 2         | —    | —         | μs    | VDD = 3.3-5.0V, -40°C to +85°C |
|            |        |  | 5         | —    | —         | μs    | VDD = 3.3-5.0V                 |
| 31         | TWDT   | Watchdog Timer Time-out Period (no postscaler)           | —         | 4.00 | —         | ms    |                                |
| 32         | TOST   | Oscillation Start-up Timer Period                        | 1024 TOSC | —    | 1024 TOSC | —     | TOSC = OSC1 period             |
| 33         | TPWRT  | Power-up Timer Period                                    | —         | 65.5 | 140       | ms    |                                |
| 34         | TIOZ   | I/O High-Impedance from MCLR Low or Watchdog Timer Reset | —         | 2    | —         | μs    |                                |
| 35         | TBOR   | Brown-out Reset Pulse Width                              | 200       | —    | —         | μs    | VDD ≤ BVDD (see D005)          |
| 36         | TIRVST | Time for Internal Reference Voltage to become Stable     | —         | 25   | —         | μs    |                                |
| 37         | THLVD  | High/Low-Voltage Detect Pulse Width                      | 200       | —    | —         | μs    | VDD ≤ VHLVD                    |
| 38         | TCSD   | CPU Start-up Time  | 5         | —    | 10        | μs    |                                |
| 39         | TIOBST | Time for INTOSC to Stabilize                             | —         | 1    | —         | μs    |                                |

# PIC18F87K90 FAMILY

**FIGURE 31-8: HIGH/LOW-VOLTAGE DETECT CHARACTERISTICS**

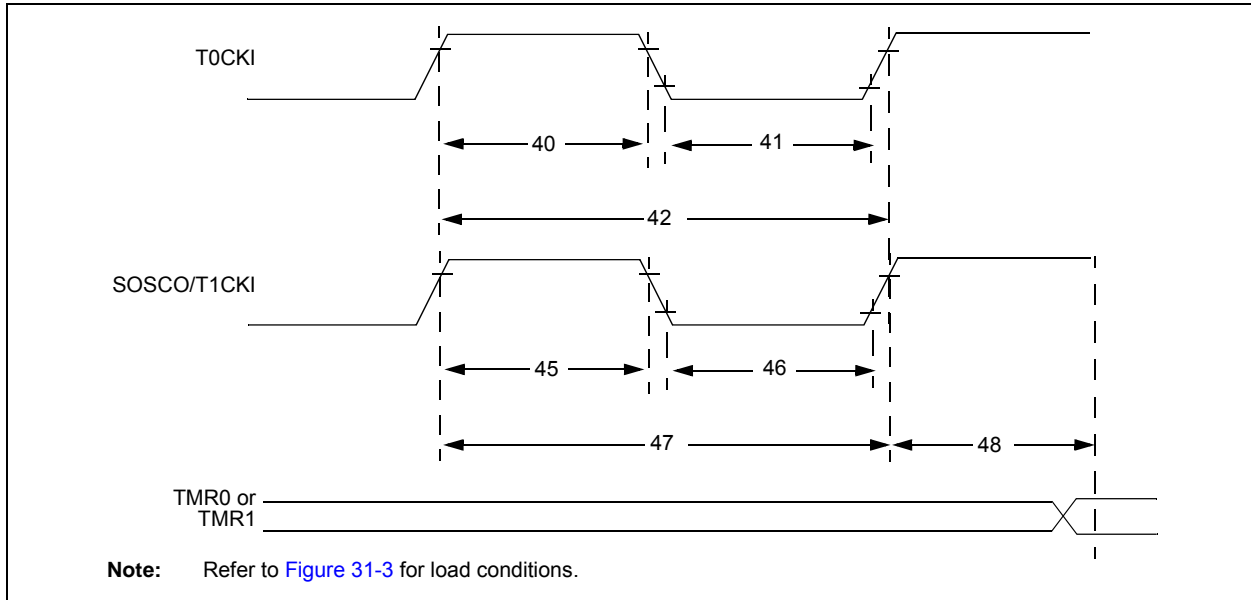


**TABLE 31-11: HIGH/LOW-VOLTAGE DETECT CHARACTERISTICS**

| Standard Operating Conditions (unless otherwise stated)                                      |     |   |                   |      |      |       |            |  |
|--|-----|---|-------------------|------|------|-------|------------|--|
| Operating temperature $-40^{\circ}\text{C} \leq T_A \leq +85^{\circ}\text{C}$ for industrial |     |   |                   |      |      |       |            |  |
| $-40^{\circ}\text{C} \leq T_A \leq +125^{\circ}\text{C}$ for extended                        |     |   |                   |      |      |       |            |  |
| Param No.  | Sym | Characteristic                                | Min               | Typ  | Max  | Units | Conditions |  |
| D420   |     | HLVD Voltage on VDD<br>Transition High-to-Low | HLVDL<3:0> = 0000 | 1.80 | 1.86 | 1.90  | V          |  |
|  |     |   | HLVDL<3:0> = 0001 | 2.03 | 2.12 | 2.13  | V          |  |
|  |     |   | HLVDL<3:0> = 0010 | 2.24 | 2.33 | 2.35  | V          |  |
|  |     |   | HLVDL<3:0> = 0011 | 2.40 | 2.49 | 2.53  | V          |  |
|  |     |   | HLVDL<3:0> = 0100 | 2.50 | 2.59 | 2.62  | V          |  |
|  |     |   | HLVDL<3:0> = 0101 | 2.70 | 2.75 | 2.84  | V          |  |
|  |     |   | HLVDL<3:0> = 0110 | 2.82 | 2.93 | 2.97  | V          |  |
|  |     |   | HLVDL<3:0> = 0111 | 2.95 | 3.07 | 3.10  | V          |  |
|  |     |   | HLVDL<3:0> = 1000 | 3.24 | 3.30 | 3.41  | V          |  |
|  |     |   | HLVDL<3:0> = 1001 | 3.42 | 3.48 | 3.59  | V          |  |
|  |     |   | HLVDL<3:0> = 1010 | 3.61 | 3.67 | 3.79  | V          |  |
|  |     |   | HLVDL<3:0> = 1011 | 3.82 | 3.87 | 4.01  | V          |  |
|  |     |   | HLVDL<3:0> = 1100 | 4.06 | 4.21 | 4.26  | V          |  |
|  |     |   | HLVDL<3:0> = 1101 | 4.33 | 4.42 | 4.55  | V          |  |
|  |     |   | HLVDL<3:0> = 1110 | 4.64 | 4.77 | 4.87  | V          |  |

# PIC18F87K90 FAMILY

**FIGURE 31-9: TIMER0 AND TIMER1 EXTERNAL CLOCK TIMINGS**

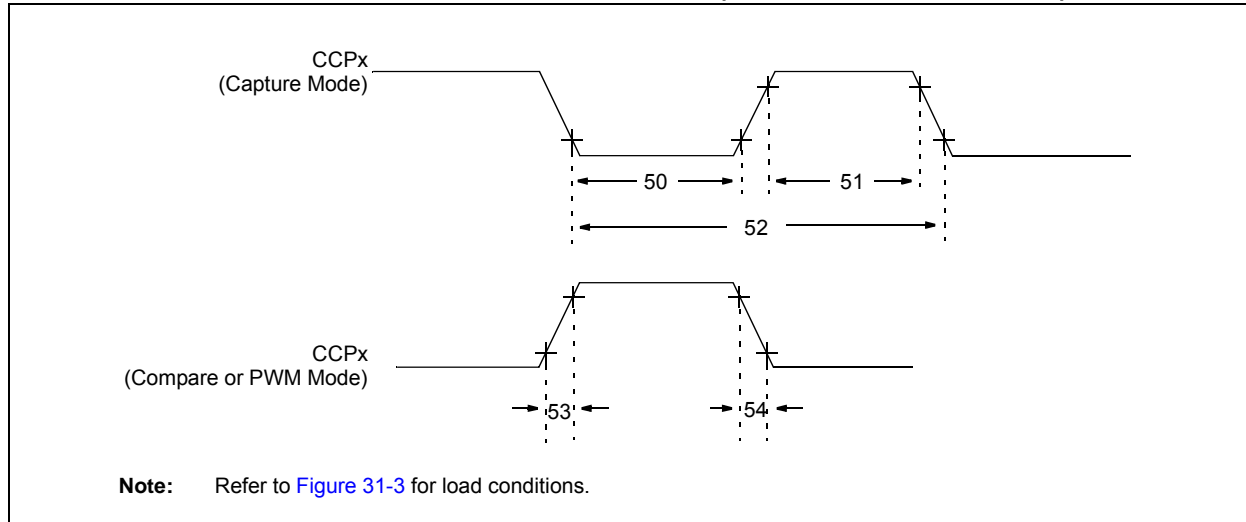


**TABLE 31-12: TIMER0 AND TIMER1 EXTERNAL CLOCK REQUIREMENTS**

| Param No. | Symbol                | Characteristic  |                             | Min  | Max         | Units | Conditions                         |
|-----------|-----------------------|---|-----------------------------|--|-------------|-------|------------------------------------|
| 40        | T <sub>T0H</sub>      | T0CKI High Pulse Width                                  | No prescaler                | $0.5 T_{CY} + 20$                            | —           | ns    |                                    |
|           |                       |   | With prescaler              | 10   | —           | ns    |                                    |
| 41        | T <sub>T0L</sub>      | T0CKI Low Pulse Width                                   | No prescaler                | $0.5 T_{CY} + 20$                            | —           | ns    |                                    |
|           |                       |   | With prescaler              | 10   | —           | ns    |                                    |
| 42        | T <sub>T0P</sub>      | T0CKI Period  | No prescaler                | $T_{CY} + 10$                                | —           | ns    |                                    |
|           |                       |   | With prescaler              | Greater of:<br>20 ns or<br>$(T_{CY} + 40)/N$ | —           | ns    |                                    |
| 45        | T <sub>T1H</sub>      | T1CKI High Time   | Synchronous, no prescaler   | $0.5 T_{CY} + 20$                            | —           | ns    |                                    |
|           |                       |   | Synchronous, with prescaler | 10   | —           | ns    |                                    |
|           |                       |   | Asynchronous                | 30   | —           | ns    |                                    |
| 46        | T <sub>T1L</sub>      | T1CKI Low Time  | Synchronous, no prescaler   | $0.5 T_{CY} + 5$                             | —           | ns    |                                    |
|           |                       |   | Synchronous, with prescaler | 10   | —           | ns    |                                    |
|           |                       |   | Asynchronous                | 30   | —           | ns    |                                    |
| 47        | T <sub>T1P</sub>      | T1CKI Input Period                                      | Synchronous                 | Greater of:<br>20 ns or<br>$(T_{CY} + 40)/N$ | —           | ns    | N = prescale value<br>(1, 2, 4, 8) |
|           |                       |   | Asynchronous                | 60   | —           | ns    |                                    |
|           | FT1                   | T1CKI Oscillator Input Frequency Range                  |                             | DC   | 50          | kHz   |                                    |
| 48        | T <sub>CKE2TMR1</sub> | Delay from External T1CKI Clock Edge to Timer Increment |                             | $2 T_{OSC}$                                  | $7 T_{OSC}$ | —     |                                    |

# PIC18F87K90 FAMILY

**FIGURE 31-10: CAPTURE/COMPARE/PWM TIMINGS (ECCP1, ECCP2 MODULES)**

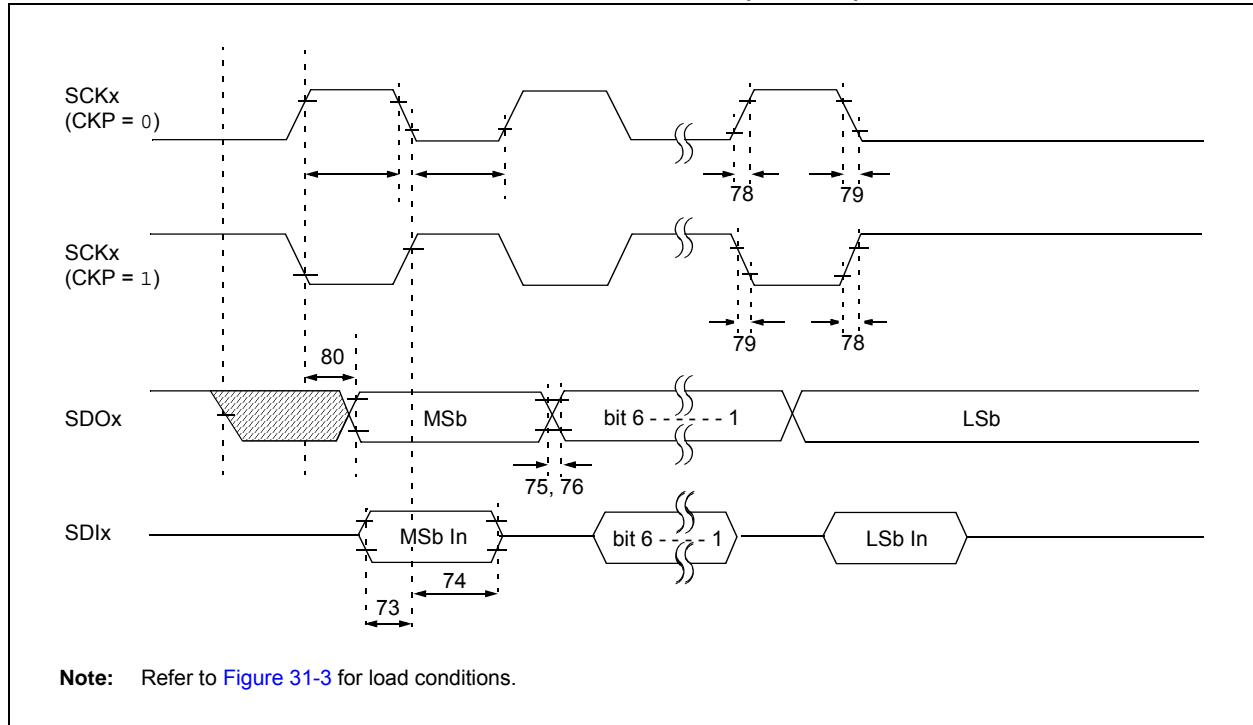


**TABLE 31-13: CAPTURE/COMPARE/PWM REQUIREMENTS (ECCP1, ECCP2 MODULES)**

| Param No. | Symbol | Characteristic        | Min                       | Max               | Units | Conditions                      |
|-----------|--------|-----------------------|---------------------------|-------------------|-------|---------------------------------|
| 50        | TccL   | CCPx Input Low Time   | No prescaler              | $0.5 T_{CY} + 20$ | —     | ns                              |
|           |        | With prescaler        | 10                        | —                 | ns    |                                 |
| 51        | TccH   | CCPx Input High Time  | No prescaler              | $0.5 T_{CY} + 20$ | —     | ns                              |
|           |        | With prescaler        | 10                        | —                 | ns    |                                 |
| 52        | TccP   | CCPx Input Period     | $\frac{3 T_{CY} + 40}{N}$ | —                 | ns    | N = prescale value (1, 4 or 16) |
| 53        | TccR   | CCPx Output Fall Time | —                         | 25                | ns    |                                 |
| 54        | TccF   | CCPx Output Fall Time | —                         | 25                | ns    |                                 |

# PIC18F87K90 FAMILY

**FIGURE 31-11: EXAMPLE SPI MASTER MODE TIMING (CKE = 0)**

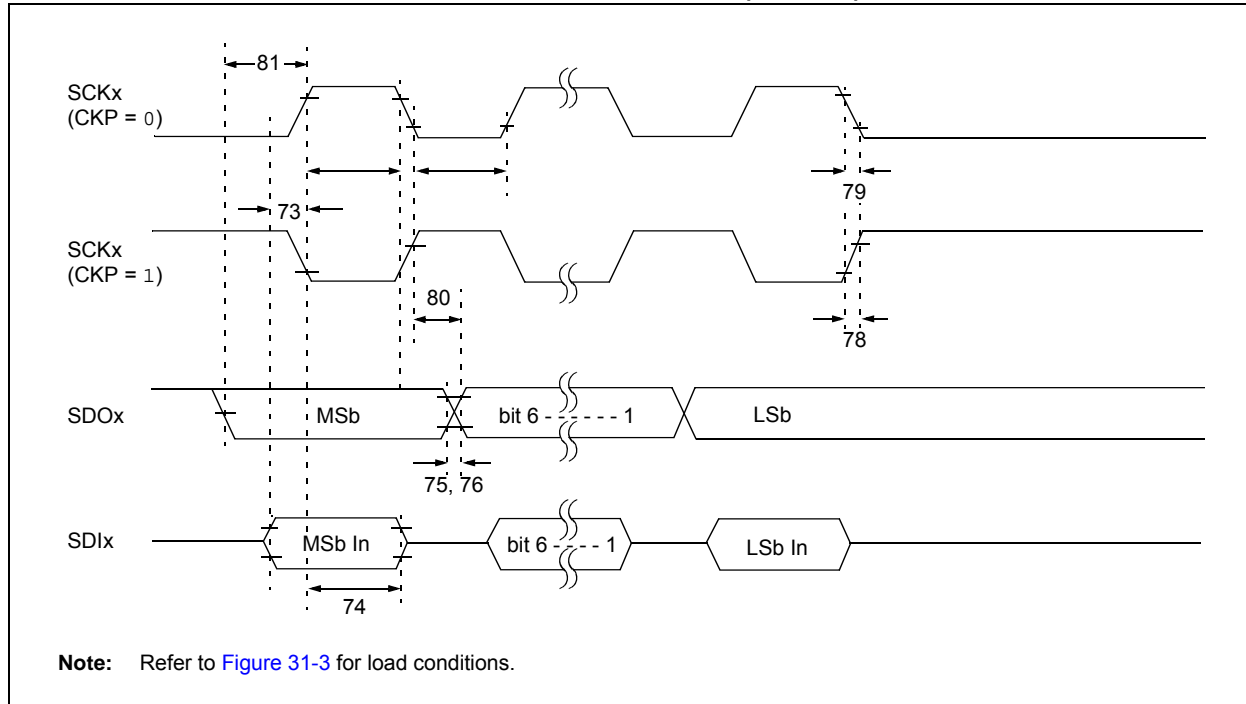


**TABLE 31-14: EXAMPLE SPI MODE REQUIREMENTS (MASTER MODE, CKE = 0)**

| Param No. | Symbol             | Characteristic  | Min                      | Max | Units | Conditions |
|-----------|--------------------|---|--------------------------|-----|-------|------------|
| 73        | TdIV2sCH, TdIV2sCL | Setup Time of SDIx Data Input to SCKx Edge                | 20                       | —   | ns    |            |
| 73A       | Tb2B               | Last Clock Edge of Byte 1 to the 1st Clock Edge of Byte 2 | 1.5 T <sub>CY</sub> + 40 | —   | ns    |            |
| 74        | TsCH2dIL, TsCL2dIL | Hold Time of SDIx Data Input to SCKx Edge                 | 40                       | —   | ns    |            |
| 75        | TdOR               | SDOx Data Output Rise Time                                | —                        | 25  | ns    |            |
| 76        | TdOF               | SDOx Data Output Fall Time                                | —                        | 25  | ns    |            |
| 78        | TscR               | SCKx Output Rise Time (Master mode)                       | —                        | 25  | ns    |            |
| 79        | TscF               | SCKx Output Fall Time (Master mode)                       | —                        | 25  | ns    |            |
| 80        | TsCH2dOV, TsCL2dOV | SDOx Data Output Valid after SCKx Edge                    | —                        | 50  | ns    |            |

# PIC18F87K90 FAMILY

**FIGURE 31-12: EXAMPLE SPI MASTER MODE TIMING (CKE = 1)**

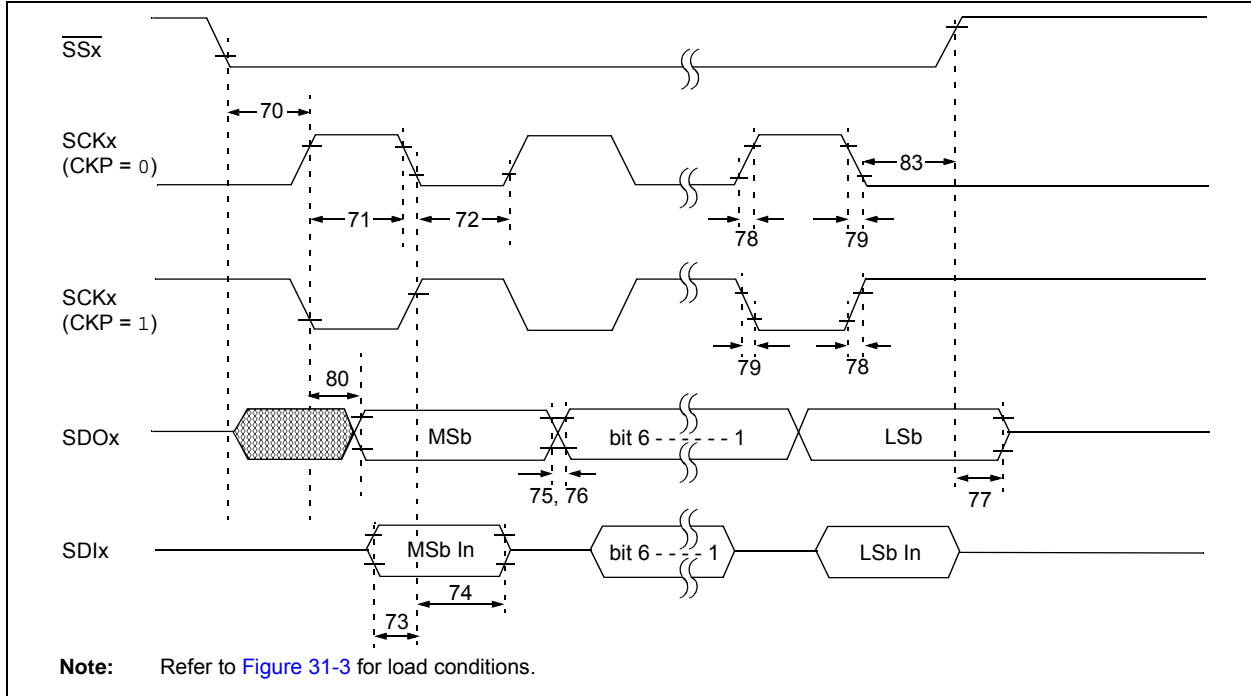


**TABLE 31-15: EXAMPLE SPI MODE REQUIREMENTS (MASTER MODE, CKE = 1)**

| Param. No. | Symbol                | Characteristic  | Min               | Max | Units | Conditions |
|------------|-----------------------|---|-------------------|-----|-------|------------|
| 73A        | TB2B                  | Last Clock Edge of Byte 1 to the 1st Clock Edge of Byte 2 | $1.5 T_{CY} + 40$ | —   | ns    |            |
| 74         | Tsch2dIL,<br>TscL2dIL | Hold Time of SDIx Data Input to SCKx Edge                 | 40                | —   | ns    |            |
| 75         | TdoR                  | SDOx Data Output Rise Time                                | —                 | 25  | ns    |            |
| 76         | TdoF                  | SDOx Data Output Fall Time                                | —                 | 25  | ns    |            |
| 78         | TscR                  | SCKx Output Rise Time (Master mode)                       | —                 | 25  | ns    |            |
| 79         | TscF                  | SCKx Output Fall Time (Master mode)                       | —                 | 25  | ns    |            |
| 80         | Tsch2doV,<br>TscL2doV | SDOx Data Output Valid after SCKx Edge                    | —                 | 50  | ns    |            |
| 81         | TdoV2sch,<br>TdoV2scl | SDOx Data Output Setup to SCKx Edge                       | $T_{CY}$          | —   | ns    |            |

# PIC18F87K90 FAMILY

**FIGURE 31-13: EXAMPLE SPI SLAVE MODE TIMING (CKE = 0)**



**TABLE 31-16: EXAMPLE SPI MODE REQUIREMENTS (SLAVE MODE TIMING, CKE = 0)**

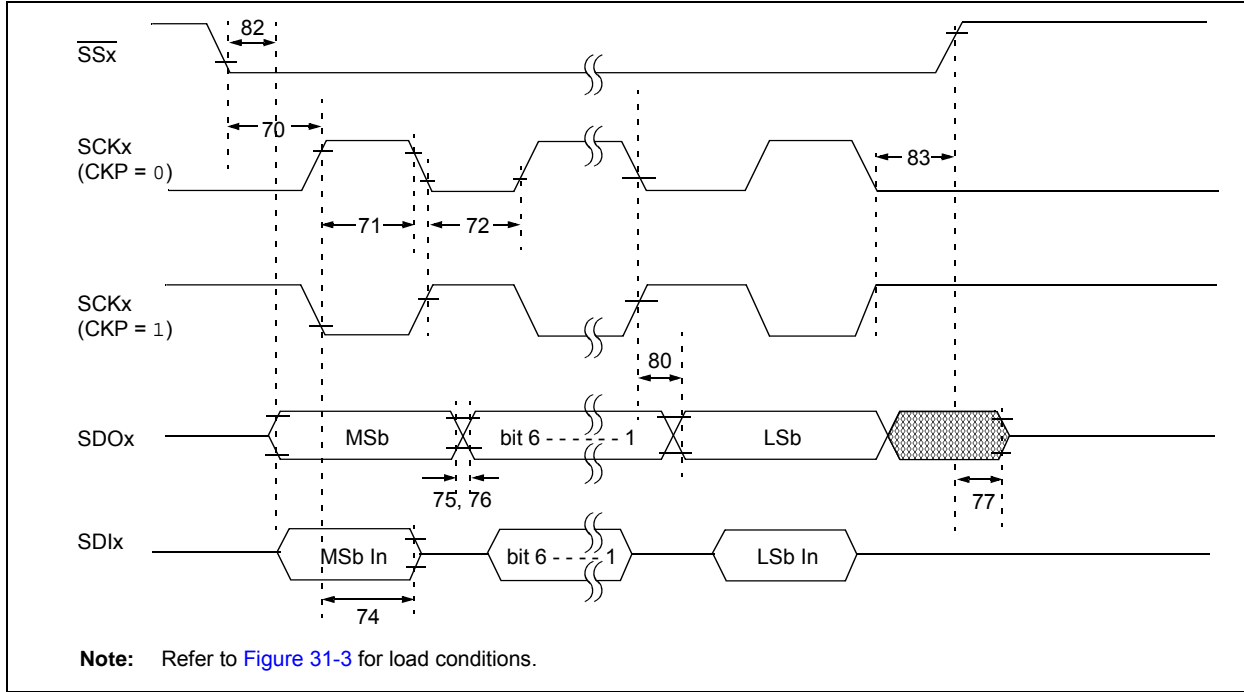
| Param No. | Symbol             | Characteristic  | Min                       | Max                 | Units   | Conditions      |
|-----------|--------------------|---|---------------------------|---------------------|---------|-----------------|
| 70        | Tssl2sch, Tssl2scl | SSx ↓ to SCKx ↓ or SCKx ↑ Input                             | 3 Tcy                     | —                   | ns      |                 |
| 70A       | Tssl2wb            | SSx to write to SSPxBUF                                     | 3 Tcy                     | —                   | ns      |                 |
| 71        | Tsch               | SCKx Input High Time (Slave mode)                           | Continuous<br>Single Byte | 1.25 Tcy + 30<br>40 | —<br>ns | <b>(Note 1)</b> |
| 72        | Tscl               | SCKx Input Low Time (Slave mode)                            | Continuous<br>Single Byte | 1.25 Tcy + 30<br>40 | —<br>ns | <b>(Note 1)</b> |
| 73        | Tdiv2sch, Tdiv2scl | Setup Time of SDIx Data Input to SCKx Edge                  | 20                        | —                   | ns      |                 |
| 73A       | Tb2b               | Last Clock Edge of Byte 1 to the First Clock Edge of Byte 2 | 1.5 Tcy + 40              | —                   | ns      | <b>(Note 2)</b> |
| 74        | Tsch2dil, TscL2dil | Hold Time of SDIx Data Input to SCKx Edge                   | 40                        | —                   | ns      |                 |
| 75        | TdoR               | SDOx Data Output Rise Time                                  | —                         | 25                  | ns      |                 |
| 76        | TdoF               | SDOx Data Output Fall Time                                  | —                         | 25                  | ns      |                 |
| 77        | Tssh2doZ           | SSx ↑ to SDOx Output High-Impedance                         | 10                        | 50                  | ns      |                 |
| 78        | TscR               | SCKx Output Rise Time (Master mode)                         | —                         | 25                  | ns      |                 |
| 79        | TscF               | SCKx Output Fall Time (Master mode)                         | —                         | 25                  | ns      |                 |
| 80        | Tsch2doV, TscL2doV | SDOx Data Output Valid after SCKx Edge                      | —                         | 50                  | ns      |                 |
| 83        | Tsch2ssH, TscL2ssH | SSx ↑ after SCKx Edge                                       | 1.5 Tcy + 40              | —                   | ns      |                 |

**Note 1:** Requires the use of Parameter #73A.

**2:** Only if Parameter #71A and #72A are used.

# PIC18F87K90 FAMILY

**FIGURE 31-14: EXAMPLE SPI SLAVE MODE TIMING (CKE = 1)**



**TABLE 31-17: EXAMPLE SPI SLAVE MODE REQUIREMENTS (CKE = 1)**

| Param No. | Symbol             | Characteristic  | Min                      | Max                       | Units | Conditions |
|-----------|--------------------|---|--------------------------|---------------------------|-------|------------|
| 70        | TssL2sch, TssL2scl | $\overline{SSx} \downarrow$ to SCKx $\downarrow$ or SCKx $\uparrow$ Input | 3 T <sub>CY</sub>        | —                         | ns    |            |
| 70A       | TssL2WB            | $\overline{SSx}$ to write to SSPxBUF                                      | 3 T <sub>CY</sub>        | —                         | ns    |            |
| 71        | Tsch               | SCKx Input High Time (Slave mode)   | Continuous               | 1.25 T <sub>CY</sub> + 30 | —     | ns         |
| 71A       |                    |   | Single Byte              | 40                        | —     | ns         |
| 72        | TscL               | SCKx Input Low Time (Slave mode)  | Continuous               | 1.25 T <sub>CY</sub> + 30 | —     | ns         |
| 72A       |                    |   | Single Byte              | 40                        | —     | ns         |
| 73A       | Tb2B               | Last Clock Edge of Byte 1 to the First Clock Edge of Byte 2               | 1.5 T <sub>CY</sub> + 40 | —                         | ns    | (Note 2)   |
| 74        | Tsch2diL, TscL2diL | Hold Time of SDIx Data Input to SCKx Edge                                 | 40                       | —                         | ns    |            |
| 75        | TdOR               | SDOx Data Output Rise Time  | —                        | 25                        | ns    |            |
| 76        | TdOF               | SDOx Data Output Fall Time  | —                        | 25                        | ns    |            |
| 77        | TssH2doZ           | $\overline{SSx} \uparrow$ to SDOx Output High-Impedance                   | 10                       | 50                        | ns    |            |
| 78        | TscR               | SCKx Output Rise Time (Master mode)                                       | —                        | 25                        | ns    |            |
| 79        | TscF               | SCKx Output Fall Time (Master mode)                                       | —                        | 25                        | ns    |            |
| 80        | Tsch2doV, TscL2doV | SDOx Data Output Valid after SCKx Edge                                    | —                        | 50                        | ns    |            |
| 82        | TssL2doV           | SDOx Data Output Valid after $\overline{SSx} \downarrow$ Edge             | —                        | 50                        | ns    |            |
| 83        | Tsch2ssH, TscL2ssH | $\overline{SSx} \uparrow$ after SCKx Edge                                 | 1.5 T <sub>CY</sub> + 40 | —                         | ns    |            |

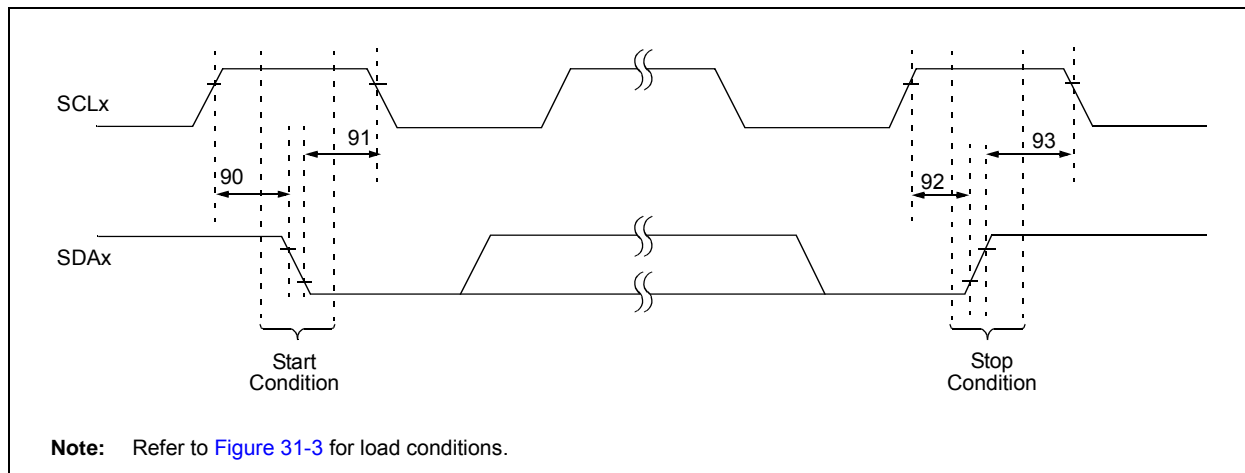
**Note 1:** Requires the use of Parameter #73A.

**Note 2:** Only if Parameter #71A and #72A are used.



# PIC18F87K90 FAMILY

**FIGURE 31-15: I<sup>2</sup>C™ BUS START/STOP BITS TIMING**

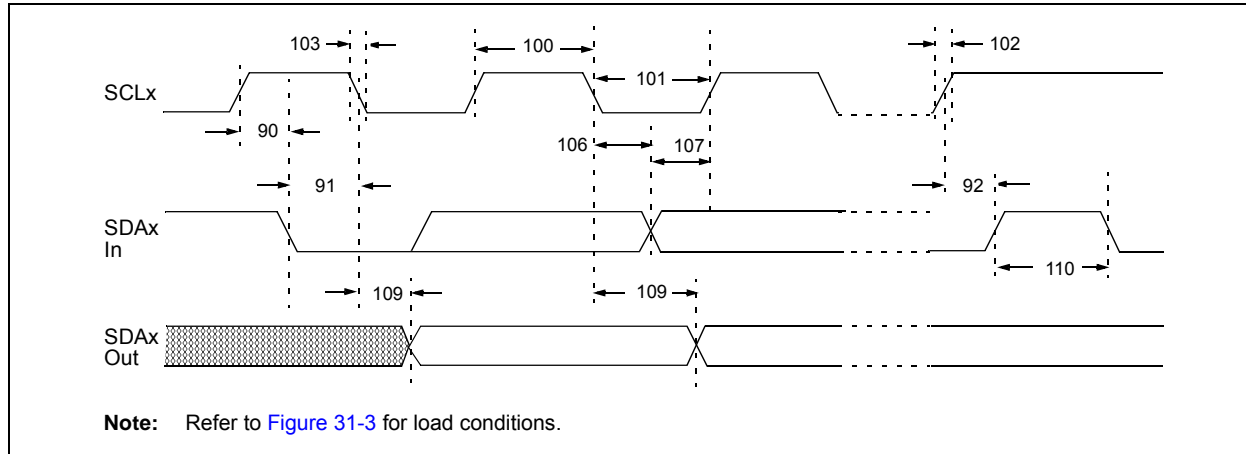


**TABLE 31-18: I<sup>2</sup>C™ BUS START/STOP BITS REQUIREMENTS (SLAVE MODE)**

| Param. No. | Symbol  | Characteristic             | Min          | Max  | Units | Conditions |   |
|------------|---------|----------------------------|--------------|------|-------|------------|---|
| 90         | TSU:STA | Start Condition Setup Time | 100 kHz mode | 4700 | —     | ns         | Only relevant for Repeated Start condition            |
|            |         |                            | 400 kHz mode | 600  | —     |            |   |
| 91         | THD:STA | Start Condition Hold Time  | 100 kHz mode | 4000 | —     | ns         | After this period, the first clock pulse is generated |
|            |         |                            | 400 kHz mode | 600  | —     |            |   |
| 92         | TSU:STO | Stop Condition Setup Time  | 100 kHz mode | 4700 | —     | ns         |   |
|            |         |                            | 400 kHz mode | 600  | —     |            |   |
| 93         | THD:STO | Stop Condition Hold Time   | 100 kHz mode | 4000 | —     | ns         |   |
|            |         |                            | 400 kHz mode | 600  | —     |            |   |

# PIC18F87K90 FAMILY

**FIGURE 31-16: I<sup>2</sup>C™ BUS DATA TIMING**



**TABLE 31-19: I<sup>2</sup>C™ BUS DATA REQUIREMENTS (SLAVE MODE)**

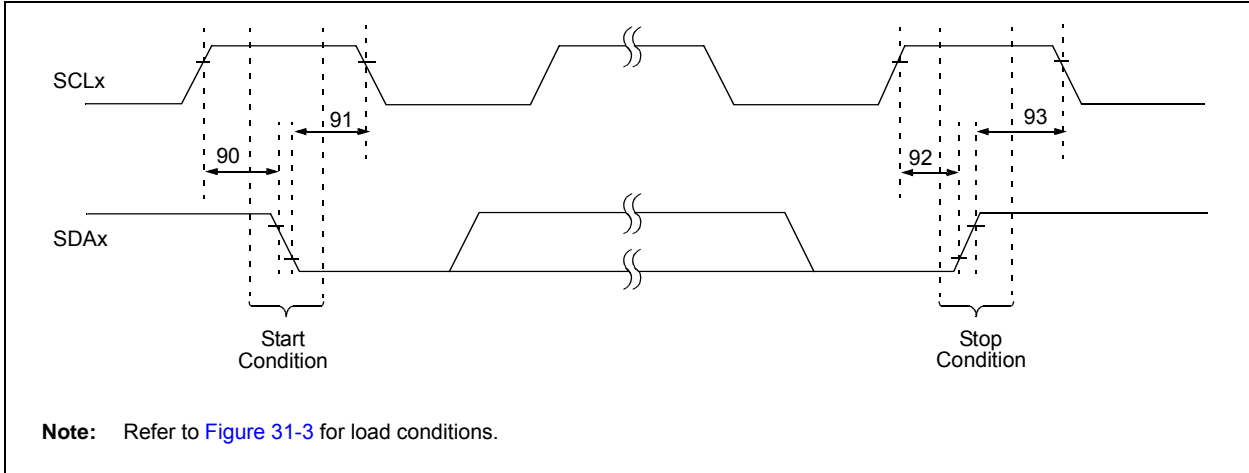
| Param. No. | Symbol         | Characteristic             | Min          | Max                     | Units | Conditions |   |
|------------|----------------|----------------------------|--------------|-------------------------|-------|------------|---|
| 100        | THIGH          | Clock High Time            | 100 kHz mode | 4.0                     | —     | μs         |   |
|            |                |                            | 400 kHz mode | 0.6                     | —     | μs         |   |
|            |                |                            | MSSP module  | 1.5 T <sub>CY</sub>     | —     |            |   |
| 101        | TLOW           | Clock Low Time             | 100 kHz mode | 4.7                     | —     | μs         |   |
|            |                |                            | 400 kHz mode | 1.3                     | —     | μs         |   |
|            |                |                            | MSSP module  | 1.5 T <sub>CY</sub>     | —     |            |   |
| 102        | TR             | SDAx and SCLx Rise Time    | 100 kHz mode | —                       | 1000  | ns         |   |
|            |                |                            | 400 kHz mode | 20 + 0.1 C <sub>B</sub> | 300   | ns         | C <sub>B</sub> is specified to be from 10 to 400 pF           |
| 103        | TF             | SDAx and SCLx Fall Time    | 100 kHz mode | —                       | 300   | ns         |   |
|            |                |                            | 400 kHz mode | 20 + 0.1 C <sub>B</sub> | 300   | ns         | C <sub>B</sub> is specified to be from 10 to 400 pF           |
| 90         | TSU:STA        | Start Condition Setup Time | 100 kHz mode | 4.7                     | —     | μs         | Only relevant for Repeated Start condition                    |
|            |                |                            | 400 kHz mode | 0.6                     | —     | μs         |   |
| 91         | THD:STA        | Start Condition Hold Time  | 100 kHz mode | 4.0                     | —     | μs         | After this period, the first clock pulse is generated         |
|            |                |                            | 400 kHz mode | 0.6                     | —     | μs         |   |
| 106        | THD:DAT        | Data Input Hold Time       | 100 kHz mode | 0                       | —     | ns         |   |
|            |                |                            | 400 kHz mode | 0                       | 0.9   | μs         |   |
| 107        | TSU:DAT        | Data Input Setup Time      | 100 kHz mode | 250                     | —     | ns         | <b>(Note 2)</b>   |
|            |                |                            | 400 kHz mode | 100                     | —     | ns         |   |
| 92         | TSU:STO        | Stop Condition Setup Time  | 100 kHz mode | 4.7                     | —     | μs         |   |
|            |                |                            | 400 kHz mode | 0.6                     | —     | μs         |   |
| 109        | TAA            | Output Valid from Clock    | 100 kHz mode | —                       | 3500  | ns         | <b>(Note 1)</b>   |
|            |                |                            | 400 kHz mode | —                       | —     | ns         |   |
| 110        | TBUF           | Bus Free Time              | 100 kHz mode | 4.7                     | —     | μs         | Time the bus must be free before a new transmission can start |
|            |                |                            | 400 kHz mode | 1.3                     | —     | μs         |   |
| D102       | C <sub>B</sub> | Bus Capacitive Loading     | —            | 400                     | pF    |            |   |

**Note 1:** As a transmitter, the device must provide this internal minimum delay time to bridge the undefined region (min. 300 ns) of the falling edge of SCLx to avoid unintended generation of Start or Stop conditions.

**2:** A Fast mode I<sup>2</sup>C™ bus device can be used in a Standard mode I<sup>2</sup>C bus system, but the requirement, TSU:DAT ≥ 250 ns, must then be met. This will automatically be the case if the device does not stretch the LOW period of the SCLx signal. If such a device does stretch the LOW period of the SCLx signal, it must output the next data bit to the SDAx line, TR max. + TSU:DAT = 1000 + 250 = 1250 ns (according to the Standard mode I<sup>2</sup>C bus specification), before the SCLx line is released.

# PIC18F87K90 FAMILY

**FIGURE 31-17: MSSP I<sup>2</sup>C™ BUS START/STOP BITS TIMING WAVEFORMS**

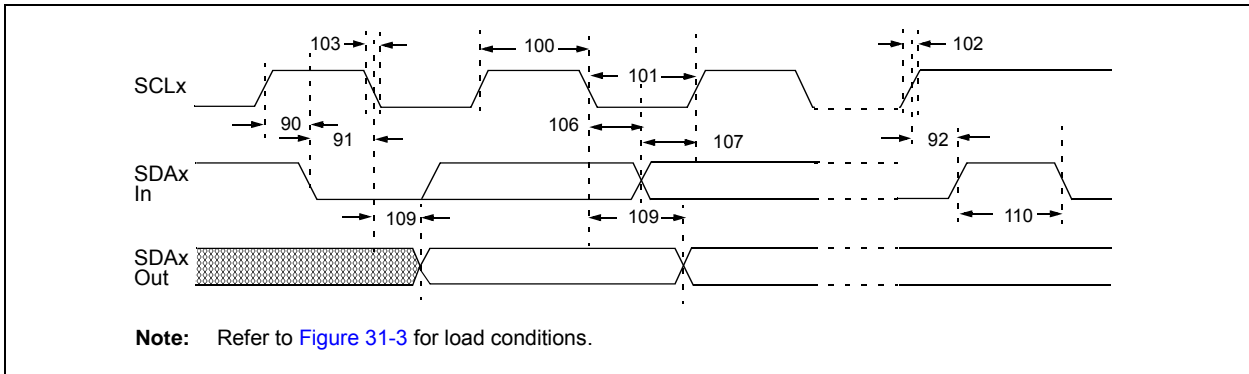


**TABLE 31-20: MSSP I<sup>2</sup>C™ BUS START/STOP BITS REQUIREMENTS**

| Param. No. | Symbol  | Characteristic             | Min                       | Max                   | Units | Conditions  |
|------------|---------|----------------------------|---------------------------|-----------------------|-------|---|
| 90         | TSU:STA | Start Condition Setup Time | 100 kHz mode              | $2(T_{osc})(BRG + 1)$ | —     | ns<br>Only relevant for Repeated Start condition            |
|            |         |                            | 400 kHz mode              | $2(T_{osc})(BRG + 1)$ | —     |   |
|            |         |                            | 1 MHz mode <sup>(1)</sup> | $2(T_{osc})(BRG + 1)$ | —     |   |
| 91         | THD:STA | Start Condition Hold Time  | 100 kHz mode              | $2(T_{osc})(BRG + 1)$ | —     | ns<br>After this period, the first clock pulse is generated |
|            |         |                            | 400 kHz mode              | $2(T_{osc})(BRG + 1)$ | —     |   |
|            |         |                            | 1 MHz mode <sup>(1)</sup> | $2(T_{osc})(BRG + 1)$ | —     |   |
| 92         | TSU:STO | Stop Condition Setup Time  | 100 kHz mode              | $2(T_{osc})(BRG + 1)$ | —     | ns  |
|            |         |                            | 400 kHz mode              | $2(T_{osc})(BRG + 1)$ | —     |   |
|            |         |                            | 1 MHz mode <sup>(1)</sup> | $2(T_{osc})(BRG + 1)$ | —     |   |
| 93         | THD:STO | Stop Condition Hold Time   | 100 kHz mode              | $2(T_{osc})(BRG + 1)$ | —     | ns  |
|            |         |                            | 400 kHz mode              | $2(T_{osc})(BRG + 1)$ | —     |   |
|            |         |                            | 1 MHz mode <sup>(1)</sup> | $2(T_{osc})(BRG + 1)$ | —     |   |

**Note 1:** Maximum pin capacitance = 10 pF for all I<sup>2</sup>C™ pins.

**FIGURE 31-18: MSSP I<sup>2</sup>C™ BUS DATA TIMING**



# PIC18F87K90 FAMILY

**TABLE 31-21: MSSP I<sup>2</sup>C™ BUS DATA REQUIREMENTS**

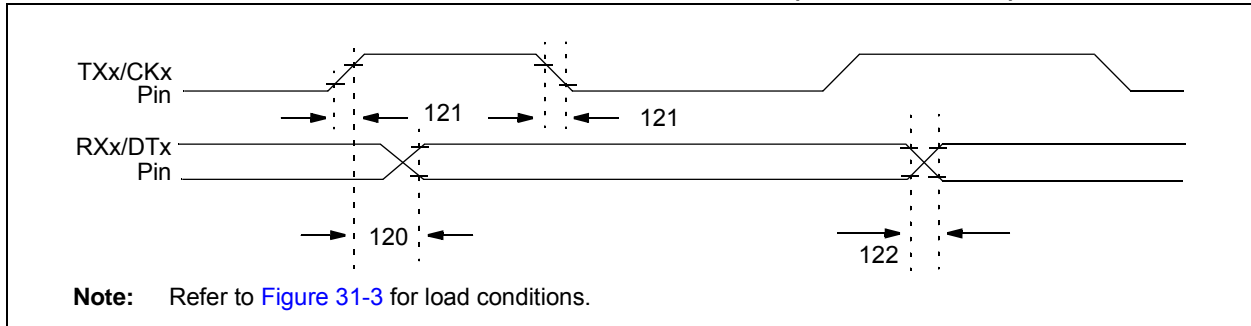
| Param. No. | Symbol  | Characteristic             | Min                       | Max                   | Units | Conditions |   |
|------------|---------|----------------------------|---------------------------|-----------------------|-------|------------|---|
| 100        | THIGH   | Clock High Time            | 100 kHz mode              | $2(T_{osc})(BRG + 1)$ | —     | —          |   |
|            |         |                            | 400 kHz mode              | $2(T_{osc})(BRG + 1)$ | —     | —          |   |
|            |         |                            | 1 MHz mode <sup>(1)</sup> | $2(T_{osc})(BRG + 1)$ | —     | —          |   |
| 101        | TLOW    | Clock Low Time             | 100 kHz mode              | $2(T_{osc})(BRG + 1)$ | —     | —          |   |
|            |         |                            | 400 kHz mode              | $2(T_{osc})(BRG + 1)$ | —     | —          |   |
|            |         |                            | 1 MHz mode <sup>(1)</sup> | $2(T_{osc})(BRG + 1)$ | —     | —          |   |
| 102        | TR      | SDAx and SCLx Rise Time    | 100 kHz mode              | —                     | 1000  | ns         | Cb is specified to be from 10 to 400 pF                       |
|            |         |                            | 400 kHz mode              | $20 + 0.1 C_b$        | 300   | ns         |   |
|            |         |                            | 1 MHz mode <sup>(1)</sup> | —                     | 300   | ns         |   |
| 103        | TF      | SDAx and SCLx Fall Time    | 100 kHz mode              | —                     | 300   | ns         | Cb is specified to be from 10 to 400 pF                       |
|            |         |                            | 400 kHz mode              | $20 + 0.1 C_b$        | 300   | ns         |   |
|            |         |                            | 1 MHz mode <sup>(1)</sup> | —                     | 100   | ns         |   |
| 90         | TSU:STA | Start Condition Setup Time | 100 kHz mode              | $2(T_{osc})(BRG + 1)$ | —     | —          | Only relevant for Repeated Start condition                    |
|            |         |                            | 400 kHz mode              | $2(T_{osc})(BRG + 1)$ | —     | —          |   |
|            |         |                            | 1 MHz mode <sup>(1)</sup> | $2(T_{osc})(BRG + 1)$ | —     | —          |   |
| 91         | THD:STA | Start Condition Hold Time  | 100 kHz mode              | $2(T_{osc})(BRG + 1)$ | —     | —          | After this period, the first clock pulse is generated         |
|            |         |                            | 400 kHz mode              | $2(T_{osc})(BRG + 1)$ | —     | —          |   |
|            |         |                            | 1 MHz mode <sup>(1)</sup> | $2(T_{osc})(BRG + 1)$ | —     | —          |   |
| 106        | THD:DAT | Data Input Hold Time       | 100 kHz mode              | 0                     | —     | ns         |   |
|            |         |                            | 400 kHz mode              | 0                     | 0.9   | μs         |   |
|            |         |                            | 1 MHz mode <sup>(1)</sup> | —                     | —     | ns         |   |
| 107        | TSU:DAT | Data Input Setup Time      | 100 kHz mode              | 250                   | —     | ns         | <b>(Note 2)</b>   |
|            |         |                            | 400 kHz mode              | 100                   | —     | ns         |   |
|            |         |                            | 1 MHz mode <sup>(1)</sup> | —                     | —     | ns         |   |
| 92         | TSU:STO | Stop Condition Setup Time  | 100 kHz mode              | $2(T_{osc})(BRG + 1)$ | —     | —          |   |
|            |         |                            | 400 kHz mode              | $2(T_{osc})(BRG + 1)$ | —     | —          |   |
|            |         |                            | 1 MHz mode <sup>(1)</sup> | $2(T_{osc})(BRG + 1)$ | —     | —          |   |
| 109        | TAA     | Output Valid from Clock    | 100 kHz mode              | —                     | 3500  | ns         |   |
|            |         |                            | 400 kHz mode              | —                     | 1000  | ns         |   |
|            |         |                            | 1 MHz mode <sup>(1)</sup> | —                     | —     | ns         |   |
| 110        | TBUF    | Bus Free Time              | 100 kHz mode              | 4.7                   | —     | μs         | Time the bus must be free before a new transmission can start |
|            |         |                            | 400 kHz mode              | 1.3                   | —     | μs         |   |
|            |         |                            | 1 MHz mode <sup>(1)</sup> | —                     | —     | μs         |   |
| D102       | CB      | Bus Capacitive Loading     | —                         | 400                   | pF    |            |   |

**Note 1:** Maximum pin capacitance = 10 pF for all I<sup>2</sup>C™ pins.

- 2:** A Fast mode I<sup>2</sup>C bus device can be used in a Standard mode I<sup>2</sup>C bus system, but Parameter #107 ≥ 250 ns must then be met. This will automatically be the case if the device does not stretch the LOW period of the SCLx signal. If such a device does stretch the LOW period of the SCLx signal, it must output the next data bit to the SDAx line, Parameter #102 + Parameter #107 = 1000 + 250 = 1250 ns (for 100 kHz mode), before the SCLx line is released.

# PIC18F87K90 FAMILY

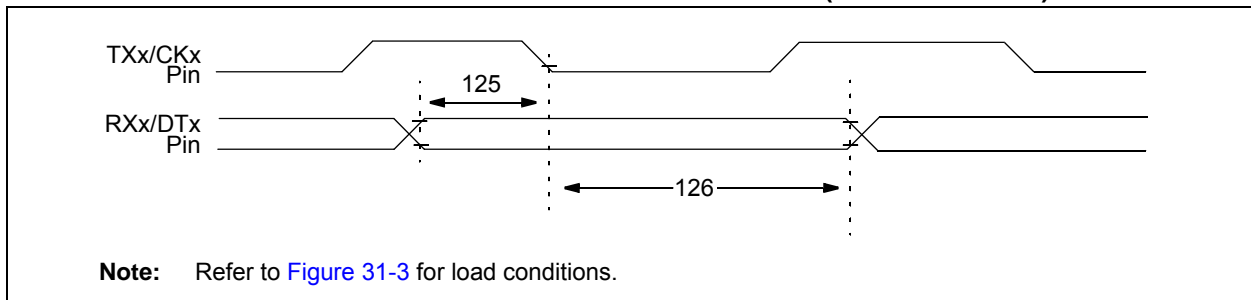
**FIGURE 31-19: EUSART SYNCHRONOUS TRANSMISSION (MASTER/SLAVE) TIMING**



**TABLE 31-22: EUSART/AUSART SYNCHRONOUS TRANSMISSION REQUIREMENTS**

| Param No. | Symbol               | Characteristic  | Min | Max | Units | Conditions |
|-----------|----------------------|---|-----|-----|-------|------------|
| 120       | T <sub>CKH2dTV</sub> | <u>SYNC XMIT (MASTER and SLAVE)</u><br>Clock High to Data Out Valid | —   | 40  | ns    |            |
| 121       | T <sub>CKRF</sub>    | Clock Out Rise Time and Fall Time (Master mode)                     | —   | 20  | ns    |            |
| 122       | T <sub>DTRF</sub>    | Data Out Rise Time and Fall Time                                    | —   | 20  | ns    |            |

**FIGURE 31-20: EUSART/AUSART SYNCHRONOUS RECEIVE (MASTER/SLAVE) TIMING**



**TABLE 31-23: EUSART/AUSART SYNCHRONOUS RECEIVE REQUIREMENTS**

| Param. No. | Symbol               | Characteristic   | Min | Max | Units | Conditions |
|------------|----------------------|--|-----|-----|-------|------------|
| 125        | T <sub>DTV2CKL</sub> | <u>SYNC RCV (MASTER and SLAVE)</u><br>Data Hold before CKx ↓ (DTx hold time) | 10  | —   | ns    |            |
| 126        | T <sub>CKL2DTL</sub> | Data Hold after CKx ↓ (DTx hold time)  | 15  | —   | ns    |            |

**TABLE 31-24: ULTRA LOW-POWER WAKE-UP SPECIFICATIONS**

| Standard Operating Conditions: 3.0V < V <sub>DD</sub> < 3.6V                   |                  |                                      |     |     |     |       |  |
|--|------------------|--------------------------------------|-----|-----|-----|-------|--|
| Operating temperature -40°C ≤ T <sub>A</sub> ≤ +85°C (unless otherwise stated) |                  |                                      |     |     |     |       |  |
| Param. No.   | Symbol           | Characteristic                       | Min | Typ | Max | Units | Comments   |
| Dxxx   | I <sub>ULP</sub> | Ultra Low-Power Wake-up Sink Current | —   | 60  | —   | nA    | Net of I/O leakage and current sink at 1.6V on pin, V <sub>DD</sub> = 3.3V |

# PIC18F87K90 FAMILY

**TABLE 31-25: A/D CONVERTER CHARACTERISTICS: PIC18F87K90 FAMILY (INDUSTRIAL/EXTENDED)**

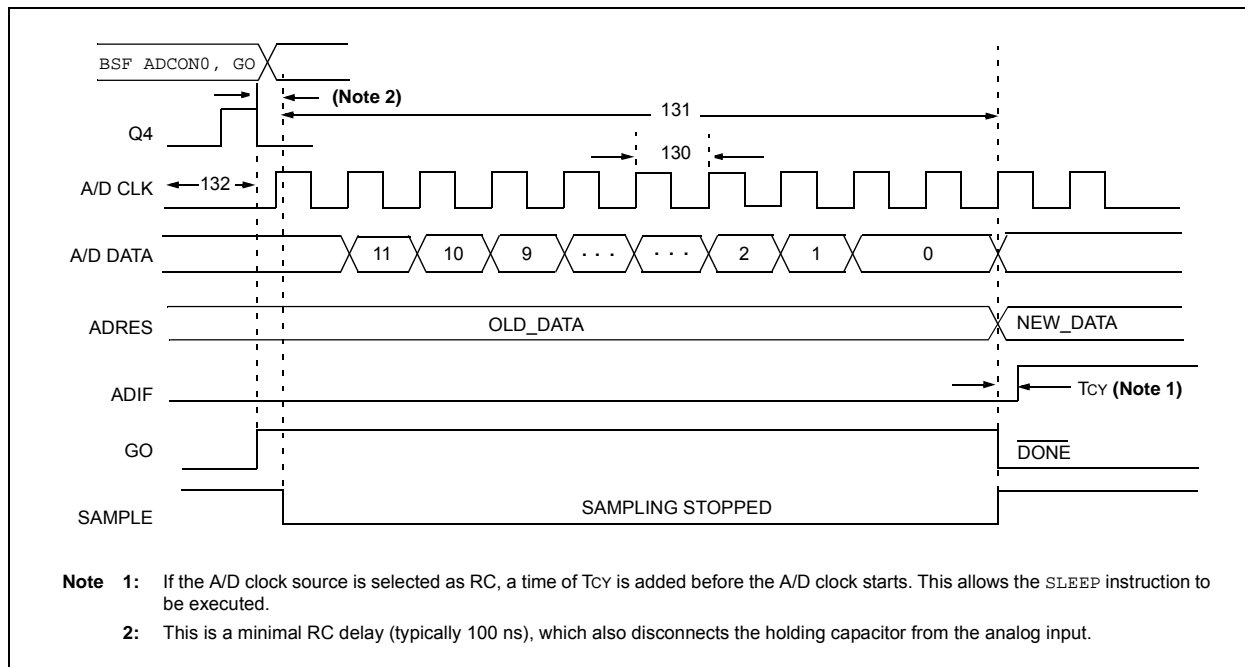
| Param No. | Sym              | Characteristic                                    | Min             | Typ     | Max               | Units              | Conditions  |
|-----------|------------------|---|-----------------|---------|-------------------|--------------------|---|
| A01       | NR               | Resolution  | —               | —       | 12                | bit                | $\Delta V_{REF} \geq 5.0V$                                    |
| A03       | EIL              | Integral Linearity Error                          | —               | $\pm 1$ | $\pm 6.0$         | LSB                | $\Delta V_{REF} = 5.0V$                                       |
| A04       | EDL              | Differential Linearity Error                      | —               | $\pm 1$ | +3.0/-1.0         | LSB                | $\Delta V_{REF} = 5.0V$                                       |
| A06       | E0FF             | Offset Error                                      | —               | $\pm 1$ | $\pm 9.0$         | LSB                | $\Delta V_{REF} = 5.0V$                                       |
| A07       | EGN              | Gain Error  | —               | $\pm 1$ | $\pm 8.0$         | LSB                | $\Delta V_{REF} = 5.0V$                                       |
| A10       | —                | Monotonicity <sup>(1)</sup>                       | —               | —       | —                 | —                  | $V_{SS} \leq V_{AIN} \leq V_{REF}$                            |
| A20       | $\Delta V_{REF}$ | Reference Voltage Range ( $V_{REFH} - V_{REFL}$ ) | 3               | —       | $V_{DD} - V_{SS}$ | V                  |   |
| A21       | $V_{REFH}$       | Reference Voltage High                            | $V_{SS} + 3.0V$ | —       | $V_{DD} + 0.3V$   | V                  |   |
| A22       | $V_{REFL}$       | Reference Voltage Low                             | $V_{SS} - 0.3V$ | —       | $V_{DD} - 3.0V$   | V                  |   |
| A25       | $V_{AIN}$        | Analog Input Voltage                              | $V_{REFL}$      | —       | $V_{REFH}$        | V                  |   |
| A30       | $Z_{AIN}$        | Recommended Impedance of Analog Voltage Source    | —               | —       | 2.5               | k $\Omega$         |   |
| A50       | $I_{REF}$        | $V_{REF}$ Input Current <sup>(2)</sup>            | —               | —       | 5<br>150          | $\mu A$<br>$\mu A$ | During $V_{AIN}$ acquisition.<br>During A/D conversion cycle. |

**Note 1:** The A/D conversion result never decreases with an increase in the input voltage.

**Note 2:**  $V_{REFH}$  current is from the RA3/AN3/ $V_{REF+}$  pin or  $V_{DD}$ , whichever is selected as the  $V_{REFH}$  source.  $V_{REFL}$  current is from the RA2/AN2/ $V_{REF-}/CV_{REF}$  pin or  $V_{SS}$ , whichever is selected as the  $V_{REFL}$  source.

# PIC18F87K90 FAMILY

**FIGURE 31-21: A/D CONVERSION TIMING**



**TABLE 31-26: A/D CONVERSION REQUIREMENTS**

| Param No. | Symbol           | Characteristic  | Min | Max                 | Units | Conditions                              |
|-----------|------------------|---|-----|---------------------|-------|---|
| 130       | TAD              | A/D Clock Period  | 0.8 | 12.5 <sup>(1)</sup> | μs    | TOSC based, VREF ≥ 3.0V                 |
|           |                  |   | 1.4 | 25 <sup>(1)</sup>   | μs    | VDD = 3.0V; TOSC based, VREF full range |
|           |                  |   | —   | 1                   | μs    | A/D RC mode                             |
|           |                  |   | —   | 3                   | μs    | VDD = 3.0V; A/D RC mode                 |
| 131       | T <sub>CV</sub>  | Conversion Time (not including acquisition time) <sup>(2)</sup> | 14  | 15                  | TAD   |   |
| 132       | T <sub>ACQ</sub> | Acquisition Time <sup>(3)</sup>                                 | 1.4 | —                   | μs    | -40°C to +125°C                         |
| 135       | T <sub>SWC</sub> | Switching Time from Convert → Sample                            | —   | (Note 4)            |       |   |
| 137       | T <sub>DIS</sub> | Discharge Time  | 0.2 | —                   | μs    |   |

**Note 1:** The time of the A/D clock period is dependent on the device frequency and the TAD clock divider.

**Note 2:** ADRES registers may be read on the following T<sub>cY</sub> cycle.

**Note 3:** The time for the holding capacitor to acquire the “New” input voltage when the voltage changes full scale after the conversion (VDD to VSS or VSS to VDD). The source impedance (R<sub>s</sub>) on the input channels is 50Ω.

**Note 4:** On the following cycle of the device clock.

# PIC18F87K90 FAMILY

---

NOTES:

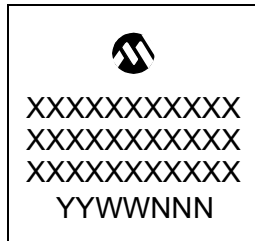


# PIC18F87K90 FAMILY

## 32.0 PACKAGING INFORMATION

### 32.1 Package Marking Information

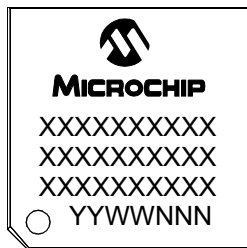
64-Lead QFN (9x9x0.9 mm)



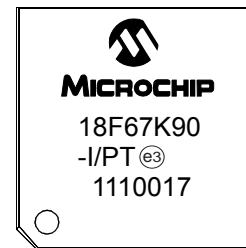
Example



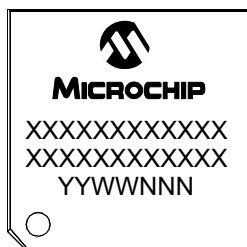
64-Lead TQFP



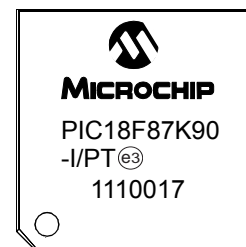
Example



80-Lead TQFP



Example



|                |        |  |
|----------------|--------|--|
| <b>Legend:</b> | XX...X | Customer-specific information  |
|                | Y      | Year code (last digit of calendar year)  |
|                | YY     | Year code (last 2 digits of calendar year)   |
|                | WW     | Week code (week of January 1 is week '01')   |
|                | NNN    | Alphanumeric traceability code   |
|                | (e3)   | Pb-free JEDEC designator for Matte Tin (Sn)  |
|                | *      | This package is Pb-free. The Pb-free JEDEC designator (e3) can be found on the outer packaging for this package. |

**Note:** In the event the full Microchip part number cannot be marked on one line, it will be carried over to the next line, thus limiting the number of available characters for customer-specific information.

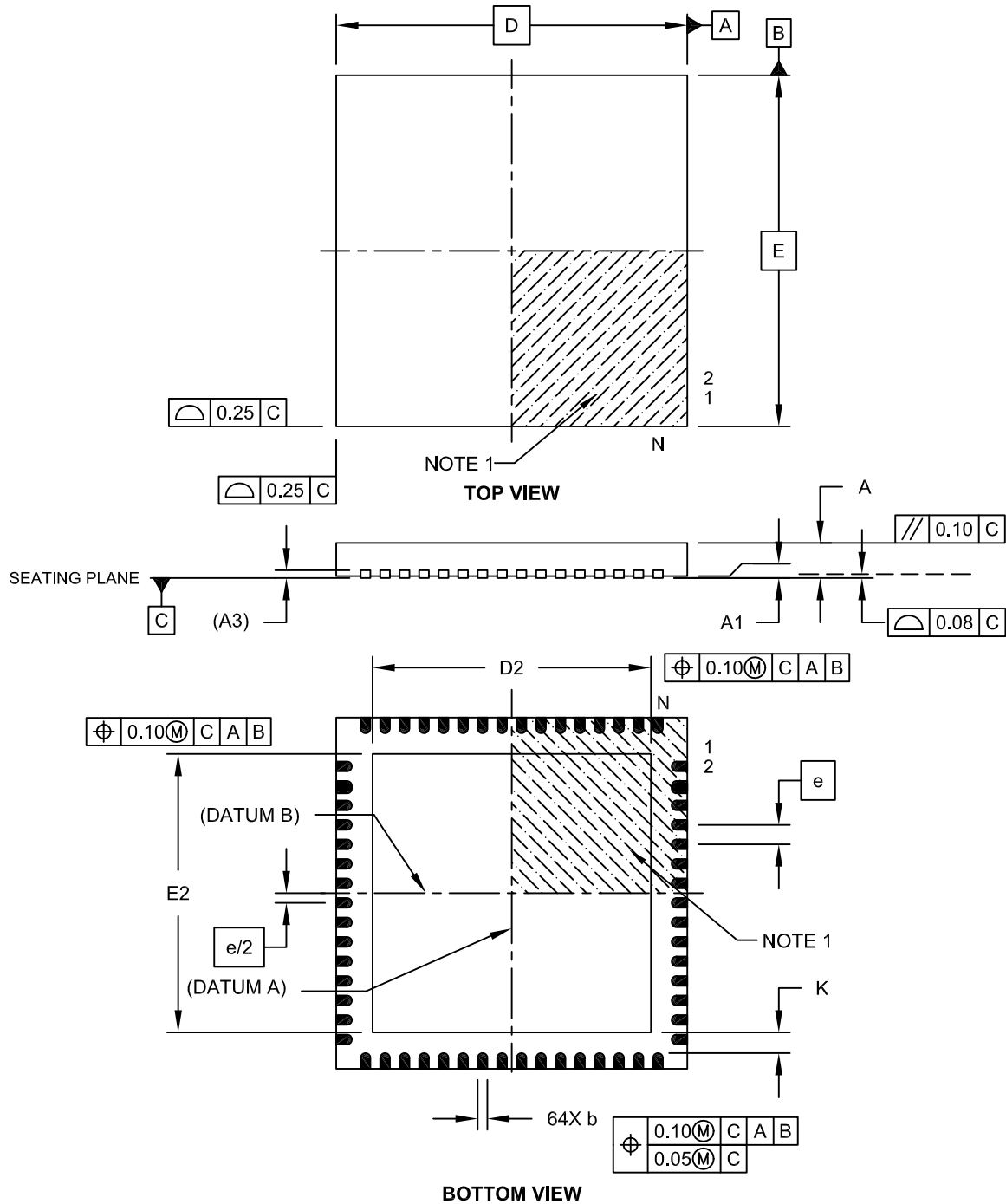
# PIC18F87K90 FAMILY

## 32.2 Package Details

The following sections give the technical details of the packages.

### 64-Lead Plastic Quad Flat, No Lead Package (MR) – 9x9x0.9 mm Body [QFN]

**Note:** For the most current package drawings, please see the Microchip Packaging Specification located at <http://www.microchip.com/packaging>

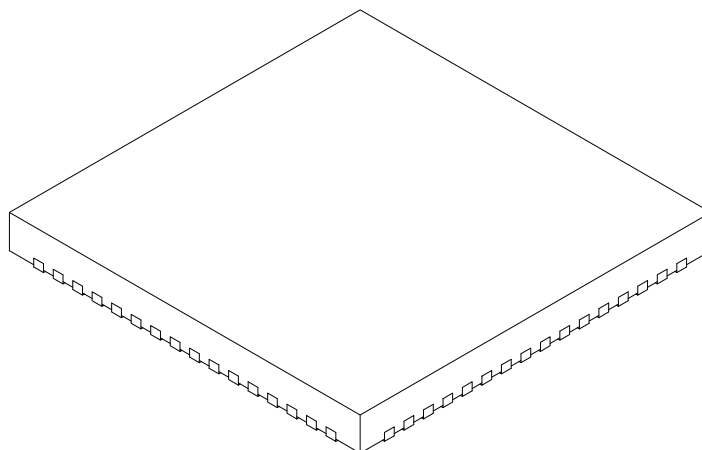


Microchip Technology Drawing C04-149B Sheet 1 of 2

# PIC18F87K90 FAMILY

## 64-Lead Plastic Quad Flat, No Lead Package (MR) – 9x9x0.9 mm Body [QFN]

**Note:** For the most current package drawings, please see the Microchip Packaging Specification located at <http://www.microchip.com/packaging>



| Units                  |    | MILLIMETERS |      |      |
|------------------------|----|-------------|------|------|
|                        |    | MIN         | NOM  | MAX  |
| Number of Pins         | N  | 64          |      |      |
| Pitch                  | e  | 0.50 BSC    |      |      |
| Overall Height         | A  | 0.80        | 0.90 | 1.00 |
| Standoff               | A1 | 0.00        | 0.02 | 0.05 |
| Contact Thickness      | A3 | 0.20 REF    |      |      |
| Overall Width          | E  | 9.00 BSC    |      |      |
| Exposed Pad Width      | E2 | 7.05        | 7.15 | 7.50 |
| Overall Length         | D  | 9.00 BSC    |      |      |
| Exposed Pad Length     | D2 | 7.05        | 7.15 | 7.50 |
| Contact Width          | b  | 0.18        | 0.25 | 0.30 |
| Contact Length         | L  | 0.30        | 0.40 | 0.50 |
| Contact-to-Exposed Pad | K  | 0.20        | -    | -    |

**Notes:**

1. Pin 1 visual index feature may vary, but must be located within the hatched area.
2. Package is saw singulated.
3. Dimensioning and tolerancing per ASME Y14.5M.

BSC: Basic Dimension, Theoretically exact value shown without tolerances.

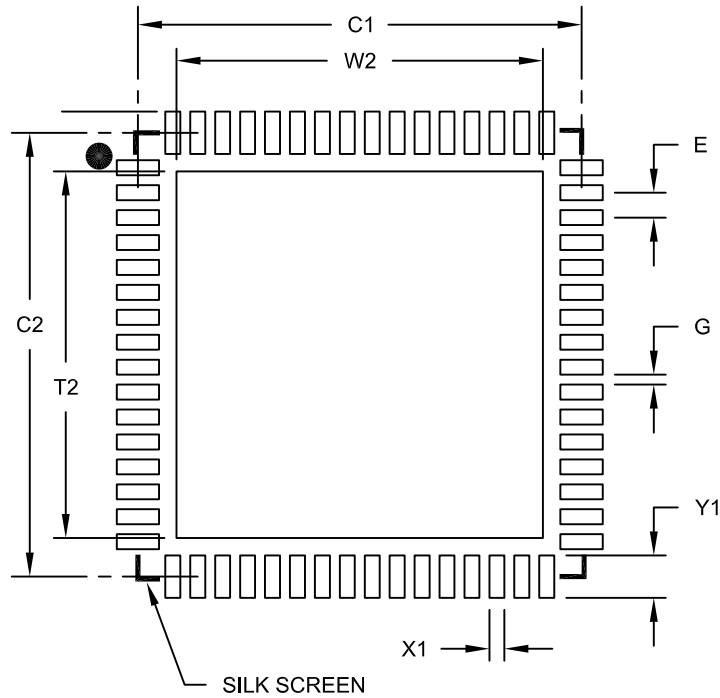
REF: Reference Dimension, usually without tolerance, for information purposes only.

Microchip Technology Drawing C04-149B Sheet 2 of 2

# PIC18F87K90 FAMILY

64-Lead Plastic Quad Flat, No Lead Package (MR) – 9x9x0.9 mm Body [QFN]  
With 0.40 mm Contact Length

**Note:** For the most current package drawings, please see the Microchip Packaging Specification located at <http://www.microchip.com/packaging>



RECOMMENDED LAND PATTERN

| Dimension Limits           | Units | MILLIMETERS |      |      |
|----------------------------|-------|-------------|------|------|
|                            |       | MIN         | NOM  | MAX  |
| Contact Pitch              | E     | 0.50 BSC    |      |      |
| Optional Center Pad Width  | W2    |             |      | 7.35 |
| Optional Center Pad Length | T2    |             |      | 7.35 |
| Contact Pad Spacing        | C1    |             | 8.90 |      |
| Contact Pad Spacing        | C2    |             | 8.90 |      |
| Contact Pad Width (X64)    | X1    |             |      | 0.30 |
| Contact Pad Length (X64)   | Y1    |             |      | 0.85 |
| Distance Between Pads      | G     | 0.20        |      |      |

Notes:

1. Dimensioning and tolerancing per ASME Y14.5M

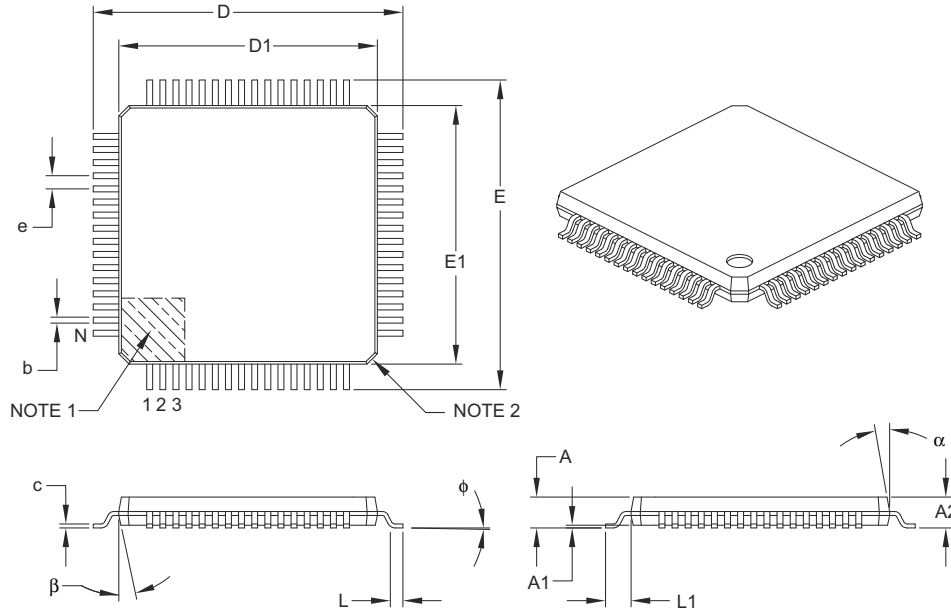
BSC: Basic Dimension. Theoretically exact value shown without tolerances.

Microchip Technology Drawing No. C04-2149A

# PIC18F87K90 FAMILY

## 64-Lead Plastic Thin Quad Flatpack (PT) – 10x10x1 mm Body, 2.00 mm [TQFP]

**Note:** For the most current package drawings, please see the Microchip Packaging Specification located at <http://www.microchip.com/packaging>



| Dimension Limits         | Units    | MILLIMETERS |      |      |
|--------------------------|----------|-------------|------|------|
|                          |          | MIN         | NOM  | MAX  |
| Number of Leads          | N        | 64          |      |      |
| Lead Pitch               | e        | 0.50 BSC    |      |      |
| Overall Height           | A        | –           | –    | 1.20 |
| Molded Package Thickness | A2       | 0.95        | 1.00 | 1.05 |
| Standoff                 | A1       | 0.05        | –    | 0.15 |
| Foot Length              | L        | 0.45        | 0.60 | 0.75 |
| Footprint                | L1       | 1.00 REF    |      |      |
| Foot Angle               | $\phi$   | 0°          | 3.5° | 7°   |
| Overall Width            | E        | 12.00 BSC   |      |      |
| Overall Length           | D        | 12.00 BSC   |      |      |
| Molded Package Width     | E1       | 10.00 BSC   |      |      |
| Molded Package Length    | D1       | 10.00 BSC   |      |      |
| Lead Thickness           | c        | 0.09        | –    | 0.20 |
| Lead Width               | b        | 0.17        | 0.22 | 0.27 |
| Mold Draft Angle Top     | $\alpha$ | 11°         | 12°  | 13°  |
| Mold Draft Angle Bottom  | $\beta$  | 11°         | 12°  | 13°  |

**Notes:**

- Pin 1 visual index feature may vary, but must be located within the hatched area.
- Chamfers at corners are optional; size may vary.
- Dimensions D1 and E1 do not include mold flash or protrusions. Mold flash or protrusions shall not exceed 0.25 mm per side.
- Dimensioning and tolerancing per ASME Y14.5M.

BSC: Basic Dimension. Theoretically exact value shown without tolerances.

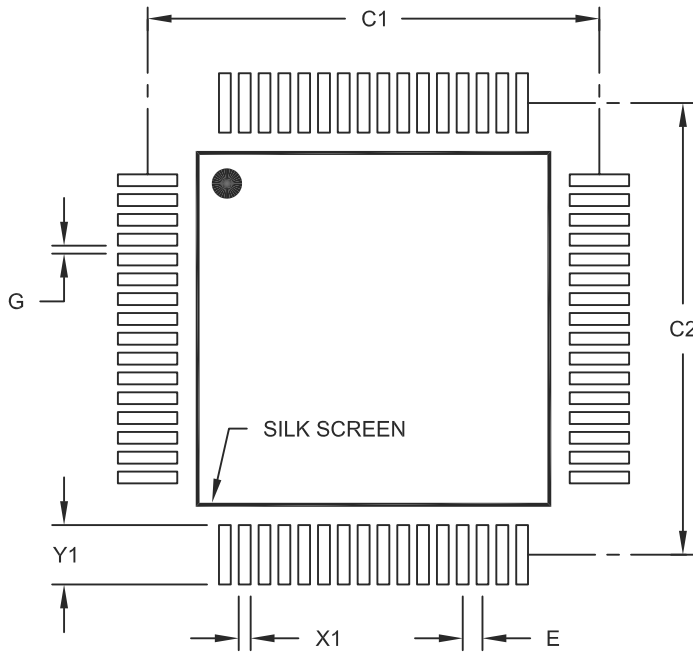
REF: Reference Dimension, usually without tolerance, for information purposes only.

Microchip Technology Drawing C04-085B

# PIC18F87K90 FAMILY

## 64-Lead Plastic Thin Quad Flatpack (PT) – 10x10x1 mm Body, 2.00 mm [TQFP]

**Note:** For the most current package drawings, please see the Microchip Packaging Specification located at <http://www.microchip.com/packaging>



RECOMMENDED LAND PATTERN

| Dimension Limits         | Units | MILLIMETERS |       |      |
|--------------------------|-------|-------------|-------|------|
|                          |       | MIN         | NOM   | MAX  |
| Contact Pitch            | E     | 0.50 BSC    |       |      |
| Contact Pad Spacing      | C1    |             | 11.40 |      |
| Contact Pad Spacing      | C2    |             | 11.40 |      |
| Contact Pad Width (X64)  | X1    |             |       | 0.30 |
| Contact Pad Length (X64) | Y1    |             |       | 1.50 |
| Distance Between Pads    | G     | 0.20        |       |      |

Notes:

1. Dimensioning and tolerancing per ASME Y14.5M

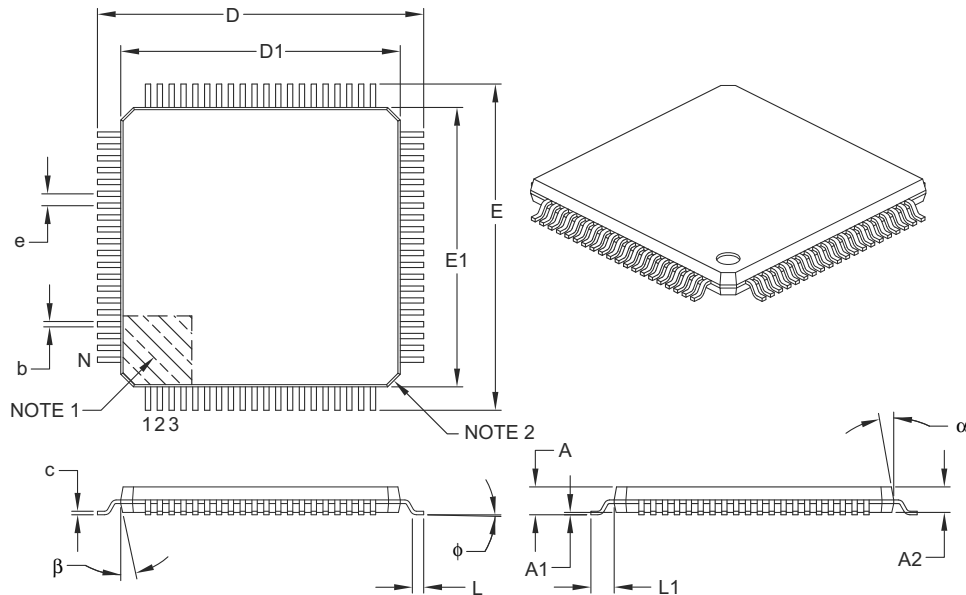
BSC: Basic Dimension. Theoretically exact value shown without tolerances.

Microchip Technology Drawing No. C04-2085A

# PIC18F87K90 FAMILY

## 80-Lead Plastic Thin Quad Flatpack (PT) – 12x12x1 mm Body, 2.00 mm [TQFP]

**Note:** For the most current package drawings, please see the Microchip Packaging Specification located at <http://www.microchip.com/packaging>



| Dimension Limits         | Units    | MILLIMETERS |      |      |
|--------------------------|----------|-------------|------|------|
|                          |          | MIN         | NOM  | MAX  |
| Number of Leads          | N        | 80          |      |      |
| Lead Pitch               | e        | 0.50 BSC    |      |      |
| Overall Height           | A        | –           | –    | 1.20 |
| Molded Package Thickness | A2       | 0.95        | 1.00 | 1.05 |
| Standoff                 | A1       | 0.05        | –    | 0.15 |
| Foot Length              | L        | 0.45        | 0.60 | 0.75 |
| Footprint                | L1       | 1.00 REF    |      |      |
| Foot Angle               | $\phi$   | 0°          | 3.5° | 7°   |
| Overall Width            | E        | 14.00 BSC   |      |      |
| Overall Length           | D        | 14.00 BSC   |      |      |
| Molded Package Width     | E1       | 12.00 BSC   |      |      |
| Molded Package Length    | D1       | 12.00 BSC   |      |      |
| Lead Thickness           | c        | 0.09        | –    | 0.20 |
| Lead Width               | b        | 0.17        | 0.22 | 0.27 |
| Mold Draft Angle Top     | $\alpha$ | 11°         | 12°  | 13°  |
| Mold Draft Angle Bottom  | $\beta$  | 11°         | 12°  | 13°  |

**Notes:**

1. Pin 1 visual index feature may vary, but must be located within the hatched area.
2. Chamfers at corners are optional; size may vary.
3. Dimensions D1 and E1 do not include mold flash or protrusions. Mold flash or protrusions shall not exceed 0.25 mm per side.
4. Dimensioning and tolerancing per ASME Y14.5M.

BSC: Basic Dimension. Theoretically exact value shown without tolerances.

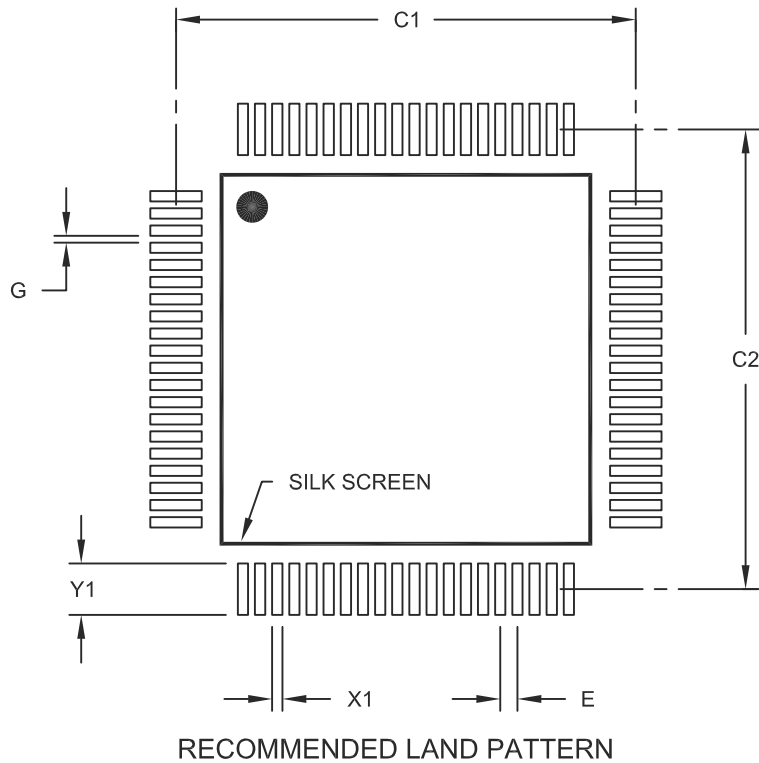
REF: Reference Dimension, usually without tolerance, for information purposes only.

Microchip Technology Drawing C04-092B

# PIC18F87K90 FAMILY

## 80-Lead Plastic Thin Quad Flatpack (PT) – 12x12x1 mm Body, 2.00 mm [TQFP]

**Note:** For the most current package drawings, please see the Microchip Packaging Specification located at <http://www.microchip.com/packaging>



| Dimension Limits         | Units | MILLIMETERS |          |      |
|--------------------------|-------|-------------|----------|------|
|                          |       | MIN         | NOM      | MAX  |
| Contact Pitch            | E     |             | 0.50 BSC |      |
| Contact Pad Spacing      | C1    |             | 13.40    |      |
| Contact Pad Spacing      | C2    |             | 13.40    |      |
| Contact Pad Width (X80)  | X1    |             |          | 0.30 |
| Contact Pad Length (X80) | Y1    |             |          | 1.50 |
| Distance Between Pads    | G     | 0.20        |          |      |

**Notes:**

1. Dimensioning and tolerancing per ASME Y14.5M

BSC: Basic Dimension. Theoretically exact value shown without tolerances.

Microchip Technology Drawing No. C04-2092A



# PIC18F87K90 FAMILY

---

## APPENDIX A: REVISION HISTORY

### Revision A (September 2009)

Original data sheet for PIC18F87K90 family devices.

### Revision B (April 2010)

Changes to **Section 32.0 “Packaging Information”**, including new packaging diagrams. Changes to some of the values in **Section 31.0 “Electrical Characteristics”**. The new **Section 2.0 “Guidelines for Getting Started with PIC18FXXKXX Microcontrollers”** has been added. Minor text edits throughout the document.

### Revision C (March 2011)

Updated notes for clamping diodes, updated D080, D090, D121, D131 and D310. Also, updated the absolute maximum specification for the I/O pin and the maximum specification for the input/output clamp current. The 64-lead QFN packaging diagram was updated.

### Revision D (July 2011)

Updated the specification values in **Section 31.0 “Electrical Characteristics”**. Minor text edits throughout the document.

## APPENDIX B: MIGRATION FROM PIC18F85J90 AND PIC18F87J90 TO PIC18F87K90

Devices in the PIC18F87K90, PIC18F85J90 and PIC18F87J90 families are almost similar in their functions and features. Code can be migrated from the 18F85J90 to the PIC18F87K90 without many changes. The differences between the two device families are listed in [Table B-1](#).

# PIC18F87K90 FAMILY

**TABLE B-1: NOTABLE DIFFERENCES BETWEEN PIC18F87K90, PIC18F87J90 AND PIC18F85J90 FAMILIES**

| Characteristic                       | PIC18F87K90 Family  | PIC18F87J90 Family                   | PIC18F85J90 Family                   |
|--------------------------------------|---|--------------------------------------|--------------------------------------|
| Max Operating Frequency              | 64 MHz  | 48 MHz                               | 40 MHz                               |
| Max Program Memory                   | 128 Kbytes  | 128 Kbytes                           | 32 Kbytes                            |
| Data Memory                          | 4 Kbytes  | 4 Kbytes                             | 2 Kbytes                             |
| Program Memory Endurance             | 10,000 Write/Erase (minimum)                                      | 10,000 Write/Erase (minimum)         | 1,000 Write/Erase (minimum)          |
| Single-Word Write for Flash          | Yes   | Yes                                  | No                                   |
| Oscillator Options                   | PLL can be used with INTOSC                                       | Yes                                  | PLL cannot be used with INTOSC       |
| CTMU                                 | Yes   | Yes                                  | No                                   |
| RTCC                                 | Yes   | Yes                                  | No                                   |
| SOSC Oscillator Options              | Low-power oscillator option for SOSC                              | Low-power oscillator option for SOSC | No                                   |
| TICKI Clock                          | T1CKI can be used as a clock without enabling the SOSC oscillator | No                                   | No                                   |
| INTOSC                               | Up to 16 MHz  | 8 MHz                                | 8 MHz                                |
| SPI/I <sup>2</sup> C™                | 2   | 1                                    | 1                                    |
| Timers                               | 11  | 4                                    | 4                                    |
| ECCP                                 | 3   | No                                   | No                                   |
| CCP                                  | 7   | 2                                    | 2                                    |
| Data EEPROM                          | Yes   | No                                   | No                                   |
| Programmable BOR                     | Multiple level of BOR   | No                                   | No                                   |
| WDT Prescale Options                 | 22  | 16                                   | 16                                   |
| 5V Operation                         | Yes   | No                                   | No                                   |
| nanoWatt XLP                         | Yes   | No                                   | No                                   |
| Regulator                            | Yes   | Yes                                  | Yes                                  |
| Low-Power BOR                        | Yes   | No                                   | No                                   |
| ADC                                  | 24-Channel Differential (12-bit)                                  | 12-Channel Not differential (10-bit) | 12-Channel Not Differential (10-bit) |
| Internal Temperature Sensor          | Yes   | No                                   | No                                   |
| Programmable HLVD                    | Yes   | No                                   | No                                   |
| EUSART                               | 2 EUSARTs   | 1 EUSART, 1 AUSART                   | 1 EUSART, 1 AUSART                   |
| Comparators                          | 3   | 2                                    | 2                                    |
| Oscillator Options                   | 14 options by OSC<3:0>  | 8 options by OSC<3:0>                | 8 options by OSC<3:0>                |
| Ultra Low-Power Wake-up (ULPW)       | Yes   | No                                   | No                                   |
| Power-up Timer                       | Yes   | No                                   | No                                   |
| MCLR Pin as Input Port               | Yes   | No                                   | No                                   |
| LCD Charge Pump                      | No  | Yes                                  | Yes                                  |
| Internal Resistor Ladder for Biasing | Yes   | No                                   | No                                   |

# PIC18F87K90 FAMILY

## INDEX

### A

|  |     |
|--|-----|
| A/D  | 373 |
| A/D Converter Interrupt, Configuring         | 383 |
| Acquisition Requirements                     | 384 |
| ADRESH Register                              | 381 |
| Analog Port Pins, Configuring                | 385 |
| Associated Registers                         | 388 |
| Automatic Acquisition Time                   | 385 |
| Configuring the Module                       | 383 |
| Conversion Clock (TAD)                       | 385 |
| Conversion Requirements                      | 543 |
| Conversion Status (GO/DONE Bit)              | 381 |
| Conversions                                  | 386 |
| Converter Characteristics                    | 542 |
| Differential                                 | 373 |
| Operation in Power-Managed Modes             | 387 |
| Use of the Special Event Triggers            | 387 |
| Absolute Maximum Ratings                     | 505 |
| AC (Timing) Characteristics                  | 523 |
| Load Conditions for Device Timing            |     |
| Specifications                               | 524 |
| Parameter Symbology                          | 523 |
| Timing Conditions                            | 524 |
| ACKSTAT                                      | 339 |
| ACKSTAT Status Flag                          | 339 |
| ADCON0 Register                              |     |
| GO/DONE Bit                                  | 381 |
| ADDFSR                                       | 494 |
| ADDLW  | 457 |
| ADDULNK                                      | 494 |
| ADDWF  | 457 |
| ADDWFC                                       | 458 |
| ADRESL Register                              | 381 |
| Analog and Digital Ports                     | 156 |
| Analog-to-Digital Converter. <i>See</i> A/D. |     |
| ANDLW  | 458 |
| ANDWF  | 459 |
| Assembler                                    |     |
| MPASM Assembler                              | 502 |

### B

|   |          |
|---|----------|
| Baud Rate Generator                       | 335      |
| BC  | 459      |
| BCF                                       | 460      |
| BF  | 339      |
| BF Status Flag                            | 339      |
| Block Diagrams                            |          |
| A/D                                       | 382      |
| A/D Differential Channel Measurement      | 373      |
| Analog Input Model                        | 383      |
| Baud Rate Generator                       | 335      |
| Capture Mode Operation                    | 243, 255 |
| Clock Source Multiplexing                 | 230      |
| Comparator Analog Input Model             | 392      |
| Comparator Configurations                 | 394      |
| Comparator Output                         | 389      |
| Comparator Voltage Reference              | 398      |
| Comparator Voltage Reference Output       |          |
| Buffer Example                            | 399      |
| Compare Mode Operation                    | 245, 256 |
| Connections for On-Chip Voltage Regulator | 442      |
| Crystal/Ceramic Resonator (HS, HSPLL)     | 47       |
| CTMU                                      | 407      |

|  |          |
|--|----------|
| CTMU Current Source Calibration Circuit      | 413      |
| CTMU Typical Connections and Internal        |          |
| Configuration for Pulse Delay Generation     | 421      |
| CTMU Typical Connections and Internal        |          |
| Configuration for Time Measurement           | 420      |
| Device Clock                                 | 42       |
| Enhanced PWM Mode                            | 257      |
| EUSART Receive                               | 362      |
| EUSART Transmit                              | 359      |
| External Clock Input (EC)                    | 48       |
| External Clock Input (HS)                    | 48       |
| External Power-on Reset Circuit              |          |
| (Slow VDD Power-up)                          | 71       |
| Fail-Safe Clock Monitor (FSCM)               | 445      |
| Full-Bridge Application                      | 261      |
| Generic I/O Port Operation                   | 153      |
| Half-Bridge Applications                     | 260, 267 |
| High/Low-Voltage Detect with External Input  | 402      |
| Internal Reference and Contrast Control      | 284      |
| Interrupt Logic                              | 130      |
| INTIO1 Oscillator Mode                       | 49       |
| INTIO2 Oscillator Mode                       | 49       |
| LCD Bias Internal Resistor Ladder Connection | 282      |
| LCD Clock Generation                         | 280      |
| LCD Driver Module                            | 273      |
| MSSPx (I <sup>2</sup> C Master Mode)         | 333      |
| MSSPx (I <sup>2</sup> C Mode)                | 313      |
| MSSPx (SPI Mode)                             | 303      |
| On-Chip Reset Circuit                        | 69       |
| Open-Drain Output (USART Example)            | 154      |
| PIC18F6XK90                                  | 12       |
| PIC18F8XK90                                  | 13       |
| PLL  | 49       |
| PWM Operation (Simplified)                   | 247      |
| RC Oscillator Mode                           | 48       |
| RCIO Oscillator Mode                         | 48       |
| Reads from Flash Program Memory              | 115      |
| RTCC   | 217      |
| Simplified Steering                          | 270      |
| Single Comparator                            | 392      |
| SOSC External Components                     | 191      |
| SPI Master/Slave Connection                  | 307      |
| Table Read Operation                         | 111      |
| Table Write Operation                        | 112      |
| Table Writes to Flash Program Memory         | 117      |
| Timer0 in 16-Bit Mode                        | 184      |
| Timer0 in 8-Bit Mode                         | 184      |
| Timer1                                       | 190      |
| Timer2                                       | 200      |
| Timer3/5/7                                   | 205      |
| Timer4/6/8/10/12                             | 215      |
| Ultra Low-Power Wake-up Initialization       | 66       |
| Watchdog Timer                               | 440      |
| BN   | 460      |
| BNC  | 461      |
| BNN  | 461      |
| BNOV   | 462      |
| BNZ  | 462      |
| BOR. <i>See</i> Brown-out Reset.             |          |
| BOV  | 465      |
| BRA  | 463      |
| BRG. <i>See</i> Baud Rate Generator.         |          |

# PIC18F87K90 FAMILY

|   |          |  |          |
|---|----------|--|----------|
| Brown-out Reset (BOR) .....               | 71       | How to Clear RAM (Bank 1) Using Indirect Addressing.....       | 104      |
| Detecting .....                           | 71       | Initializing PORTA.....  | 157      |
| BSF .....                                 | 463      | Initializing PORTB.....  | 160      |
| BTFSC .....                               | 464      | Initializing PORTC .....                                       | 163      |
| BTFSS.....                                | 464      | Initializing PORTD .....                                       | 166      |
| BTG.....                                  | 465      | Initializing PORTE.....  | 169      |
| BZ.....                                   | 466      | Initializing PORTF.....  | 172      |
| <b>C</b>                                  |          | Initializing PORTG .....                                       | 175      |
| C Compilers                               |          | Initializing PORTH .....                                       | 177      |
| MPLAB C18 .....                           | 502      | Initializing PORTJ.....  | 180      |
| CALL .....                                | 466      | Loading the SSP1BUF (SSP1SR) Register.....                     | 306      |
| CALLW.....                                | 495      | Reading a Flash Program Memory Word .....                      | 115      |
| Capture (CCP Module).....                 | 242      | Routine for Capacitive Touch Switch.....                       | 419      |
| Associated Registers .....                | 246      | Routine for Temperature Measurement Using Internal Diode ..... | 422      |
| CCP Pin Configuration.....                | 242      | Saving STATUS, WREG and BSR Registers in RAM.....              | 151      |
| CCPR4H:CCPR4L Registers.....              | 242      | Setting the RTCWREN Bit .....                                  | 231      |
| Prescaler.....                            | 243      | Setup for CTMU Calibration Routines .....                      | 414      |
| Software Interrupt .....                  | 243      | Ultra Low-Power Wake-up Initialization .....                   | 66       |
| Timer1/3/5/7 Mode Selection .....         | 242      | Writing to Flash Program Memory.....                           | 118–119  |
| Capture (ECCP Module) .....               | 255      | Code Protection .....  | 425, 447 |
| CCPRxH:CCPRxL Registers .....             | 255      | Associated Registers .....                                     | 448      |
| ECCP Pin Configuration .....              | 255      | Data EEPROM.....   | 450      |
| Prescaler.....                            | 255      | Program Memory .....   | 448      |
| Software Interrupt .....                  | 255      | COMF .....   | 468      |
| Timer1/Timer3 Mode Selection.....         | 255      | Comparator.....  | 389      |
| Capture/Compare/PWM (CCP).....            | 237      | Analog Input Connection Considerations .....                   | 392      |
| Capture Mode. See Capture.                |          | Associated Registers .....                                     | 396      |
| CCP6/7/8/9 Pin Assignment .....           | 242      | Control and Configuration.....                                 | 393      |
| CCPRxH Register .....                     | 241      | Effects of a Reset .....                                       | 396      |
| CCPRxL Register.....                      | 241      | Enable and Input Selection.....                                | 393      |
| Compare Mode. See Compare.                |          | Enable and Output Selection.....                               | 393      |
| Configuration.....                        | 241      | Interrupts .....   | 395      |
| Mode and Timer Resources.....             | 241      | Operation .....  | 392      |
| Open-Drain Output Option .....            | 242      | Operation During Sleep .....                                   | 396      |
| Charge Time Measurement Unit (CTMU) ..... | 407      | Response Time.....   | 392      |
| Associated Registers .....                | 423      | Comparator Voltage Reference.....                              | 397      |
| Calibrating the Module .....              | 412      | Accuracy and Error .....                                       | 398      |
| Creating a Delay .....                    | 421      | Associated Registers .....                                     | 399      |
| Effects of a Reset.....                   | 423      | Configuring .....  | 397      |
| Measuring Capacitance with the CTMU ..... | 418      | Connection Considerations.....                                 | 398      |
| Measuring Temperature with Use .....      | 422      | Effects of a Reset .....                                       | 398      |
| Measuring Time .....                      | 420      | Operation During Sleep .....                                   | 398      |
| Module Initialization .....               | 412      | Compare (CCP Module) .....                                     | 244      |
| Operation .....                           | 411      | Associated Registers .....                                     | 246      |
| During Sleep and Idle Modes.....          | 423      | CCPR4 Register .....   | 244      |
| Clock Sources                             |          | Pin Configuration .....  | 244      |
| Default System Clock on Reset .....       | 46       | Software Interrupt .....                                       | 244      |
| Selection Using OSCCON Register .....     | 46       | Special Event Trigger .....                                    | 244      |
| CLRF .....                                | 467      | Timer1/3/5/7 Mode Selection.....                               | 244      |
| CLRWDT.....                               | 467      | Compare (ECCP Module).....                                     | 256      |
| Code Examples                             |          | CCPRx Register .....   | 256      |
| 16 x 16 Signed Multiply Routine .....     | 128      | Pin Configuration .....  | 256      |
| 16 x 16 Unsigned Multiply Routine .....   | 128      | Software Interrupt .....                                       | 256      |
| 8 x 8 Signed Multiply Routine .....       | 127      | Special Event Trigger .....                                    | 210, 256 |
| 8 x 8 Unsigned Multiply Routine .....     | 127      | Timer1/Timer3 Mode Selection.....                              | 256      |
| Capacitance Calibration Routine .....     | 417      | Computed GOTO.....   | 89       |
| Changing Between Capture Prescalers.....  | 243, 255 | Configuration Bits .....                                       | 425      |
| Computed GOTO Using an Offset Value ..... | 89       | Configuration Mismatch (CM) Reset.....                         | 72       |
| Current Calibration Routine .....         | 415      | Configuration Register Protection.....                         | 450      |
| Data EEPROM Read .....                    | 123      |  |          |
| Data EEPROM Refresh Routine.....          | 124      |  |          |
| Data EEPROM Write .....                   | 123      |  |          |
| Erasing a Flash Program Memory Row .....  | 116      |  |          |
| Fast Register Stack.....                  | 89       |  |          |

# PIC18F87K90 FAMILY

|  |     |
|--|-----|
| Core Features  |     |
| Easy Migration .....   | 9   |
| Extended Instruction Set .....   | 9   |
| Memory Options .....   | 9   |
| nanoWatt Technology .....  | 9   |
| Oscillator Options and Features .....  | 9   |
| CPFSEQ .....   | 468 |
| CPFSGT .....   | 469 |
| CPFSLT .....   | 469 |
| Crystal Oscillator/Ceramic Resonators (HS) .....   | 46  |
| Customer Change Notification Service .....   | 566 |
| Customer Notification Service .....  | 566 |
| Customer Support .....   | 566 |
| <b>D</b>   |     |
| Data Addressing Modes .....  | 104 |
| Comparing Addressing Modes (Bit-Oriented,<br>Byte Oriented) with the Extended<br>Instruction Set Enabled ..... | 108 |
| Direct .....   | 104 |
| Indexed Literal Offset   |     |
| BSR .....  | 109 |
| Mapping Access Bank .....  | 109 |
| Indirect .....   | 104 |
| Inherent and Literal .....   | 104 |
| Data EEPROM Memory   |     |
| Associated Registers .....   | 125 |
| EEADR and EEADRH Registers .....   | 121 |
| EECON1 and EECON2 Registers .....  | 121 |
| Operation During Code-Protect .....  | 124 |
| Overview .....   | 121 |
| Protection, Spurious Writes .....  | 124 |
| Reading .....  | 123 |
| Usage .....  | 124 |
| Write Verify .....   | 123 |
| Writing To .....   | 123 |
| Data Memory .....  | 92  |
| Access Bank .....  | 94  |
| Bank Select Register (BSR) .....   | 92  |
| Extended Instruction Set .....   | 107 |
| General Purpose Registers .....  | 94  |
| Memory Maps  |     |
| PIC18FX5K90/X7K90 Devices .....  | 93  |
| Special Function Registers .....   | 95  |
| Special Function Registers .....   | 95  |
| Data Memory Modes  |     |
| Indexed Literal Offset .....   | 107 |
| Affected Instructions .....  | 107 |
| DAW .....  | 470 |
| DC Characteristics   |     |
| CTMU Current Source .....  | 520 |
| PIC18F87K90 Family, Industrial .....   | 519 |
| Power-Down and Supply Current .....  | 508 |
| Supply Voltage .....   | 507 |
| DCFSNZ .....   | 471 |
| DECF .....   | 470 |
| DECFSZ .....   | 471 |
| Default System Clock .....   | 46  |
| Details on Individual Family Members .....   | 10  |
| Development Support .....  | 501 |
| Device Overview .....  | 9   |
| Features (64-Pin Devices) .....  | 11  |
| Features (80-Pin Devices) .....  | 11  |
| Direct Addressing .....  | 105 |
| <b>E</b>   |     |
| Effect on Standard PIC18 Instructions .....  | 498 |
| Effects of Power-Managed Modes on Various<br>Clock Sources .....   | 52  |
| Electrical Characteristics .....   | 505 |
| Enhanced Capture/Compare/PWM (ECCP) .....  | 251 |
| Capture Mode. <i>See</i> Capture.  |     |
| Compare Mode. <i>See</i> Compare.  |     |
| ECCP Mode and Timer Resources .....  | 254 |
| Enhanced PWM Mode .....  | 257 |
| Auto-Restart .....   | 266 |
| Auto-Shutdown .....  | 264 |
| Direction Change in Full-Bridge<br>Output Mode .....   | 263 |
| Full-Bridge Application .....  | 261 |
| Full-Bridge Mode .....   | 261 |
| Half-Bridge Application .....  | 260 |
| Half-Bridge Application Examples .....   | 267 |
| Half-Bridge Mode .....   | 260 |
| Output Relationships (Active-High and<br>Active-Low) .....   | 258 |
| Output Relationships Diagram .....   | 259 |
| Programmable Dead-Band Delay .....   | 267 |
| Shoot-Through Current .....  | 267 |
| Start-up Considerations .....  | 264 |
| Outputs and Configuration .....  | 254 |
| Enhanced Capture/Compare/PWM (ECCP1/2/3)<br>Associated Registers .....   | 272 |
| Enhanced Universal Synchronous Asynchronous Receiver<br>Transmitter (EUSART). <i>See</i> EUSART.               |     |
| Equations  |     |
| 16 x 16 Signed Multiplication Algorithm .....  | 128 |
| 16 x 16 Unsigned Multiplication Algorithm .....  | 128 |
| A/D Acquisition Time .....   | 384 |
| A/D Minimum Charging Time .....  | 384 |
| Calculating the Minimum Required<br>Acquisition Time .....   | 384 |
| Converting Error Pulses .....  | 232 |
| EUSART   |     |
| Asynchronous Mode .....  | 359 |
| 12-Bit Break Transmit and Receive<br>Sequence .....  | 366 |
| Associated Registers, Receive .....  | 363 |
| Associated Registers, Transmit .....   | 361 |
| Auto-Wake-up on Sync Break .....   | 364 |
| Receiver .....   | 362 |
| Setting Up 9-Bit Mode with Address Detect .....  | 362 |
| Transmitter .....  | 359 |
| Baud Rate Generator  |     |
| Operation in Power-Managed Modes .....   | 353 |
| Baud Rate Generator (BRG) .....  | 353 |
| Associated Registers .....   | 354 |
| Auto-Baud Rate Detect .....  | 357 |
| Baud Rate Error, Calculating .....   | 354 |
| Baud Rates, Asynchronous Modes .....   | 355 |
| High Baud Rate Select (BRGH Bit) .....   | 353 |
| Sampling .....   | 353 |
| Synchronous Master Mode .....  | 367 |
| Associated Registers, Receive .....  | 370 |
| Associated Registers, Transmit .....   | 368 |
| Reception .....  | 369 |
| Transmission .....   | 367 |

# PIC18F87K90 FAMILY

|  |          |  |          |
|--|----------|--|----------|
| Synchronous Slave Mode .....             | 371      | Setup .....                                  | 403      |
| Associated Registers, Receive .....      | 372      | Start-up Time .....                          | 403      |
| Associated Registers, Transmit .....     | 371      | Typical Low-Voltage Detect Application ..... | 404      |
| Reception .....                          | 372      | HLVD. See High/Low-Voltage Detect.           |          |
| Transmission .....                       | 371      |  |          |
| Extended Instruction Set                 |          | <b>I</b>                                     |          |
| ADDFSR .....                             | 494      | I/O Ports .....                              | 153      |
| ADDULNK .....                            | 494      | Open-Drain Outputs .....                     | 154      |
| CALLW .....                              | 495      | Output Pin Drive .....                       | 153      |
| MOVSF .....                              | 495      | Pin Capabilities .....                       | 153      |
| MOVSS .....                              | 496      | Pull-up Configuration .....                  | 153      |
| PUSHL .....                              | 496      | I <sup>2</sup> C Mode (MSSP)                 |          |
| SUBFSR .....                             | 497      | Acknowledge Sequence Timing .....            | 342      |
| SUBULNK .....                            | 497      | Associated Registers .....                   | 348      |
| External Oscillator Modes                |          | Baud Rate Generator .....                    | 335      |
| Clock Input (EC, ECPLL Modes) .....      | 48       | Bus Collision                                |          |
| HS, HSPLL .....                          | 46       | During a Repeated Start Condition .....      | 346      |
|  |          | During a Stop Condition .....                | 347      |
| <b>F</b>                                 |          | Clock Arbitration .....                      | 336      |
| Fail-Safe Clock Monitor .....            | 425, 445 | Clock Stretching .....                       | 328      |
| Exiting Operation .....                  | 445      | 10-Bit Slave Receive Mode (SEN = 1) .....    | 328      |
| Interrupts in Power-Managed Modes .....  | 446      | 10-Bit Slave Transmit Mode .....             | 328      |
| POR or Wake from Sleep .....             | 446      | 7-Bit Slave Receive Mode (SEN = 1) .....     | 328      |
| WDT During Oscillator Failure .....      | 445      | 7-Bit Slave Transmit Mode .....              | 328      |
| Fast Register Stack .....                | 89       | Clock Synchronization and the CKP bit .....  | 329      |
| Firmware Instructions .....              | 451      | Effects of a Reset .....                     | 343      |
| Flash Program Memory .....               | 111      | General Call Address Support .....           | 332      |
| Associated Registers .....               | 119      | I <sup>2</sup> C Clock Rate w/BRG .....      | 335      |
| Control Registers .....                  | 112      | Master Mode .....                            | 333      |
| EECON1, EECON2 .....                     | 112      | Operation .....                              | 334      |
| TABLAT (Table Latch) .....               | 114      | Reception .....                              | 339      |
| TBLPTR (Table Pointer) .....             | 114      | Repeated Start Condition Timing .....        | 338      |
| Erasing .....                            | 116      | Start Condition Timing .....                 | 337      |
| Sequence .....                           | 116      | Transmission .....                           | 339      |
| Operation During Code-Protect .....      | 119      | Multi-Master Communication, Bus Collision    |          |
| Protection Against Spurious Writes ..... | 119      | and Arbitration .....                        | 343      |
| Reading .....                            | 115      | Multi-Master Mode .....                      | 343      |
| Table Pointer                            |          | Operation .....                              | 318      |
| Boundaries Based on Operation .....      | 114      | Read/Write Bit Information (R/W Bit) .....   | 318, 321 |
| Table Pointer Boundaries .....           | 114      | Registers .....                              | 313      |
| Table Reads, Table Writes .....          | 111      | Serial Clock (SCLx) .....                    | 321      |
| Writing                                  |          | Slave Mode .....                             | 318      |
| Unexpected Termination .....             | 119      | Address Masking Modes                        |          |
| Verify .....                             | 119      | 5-Bit .....                                  | 319      |
| Writing To .....                         | 117      | 7-Bit .....                                  | 320      |
| Sequence .....                           | 117      | Addressing .....                             | 318      |
| FSCM. See Fail-Safe Clock Monitor.       |          | Reception .....                              | 321      |
|  |          | Transmission .....                           | 321      |
| <b>G</b>                                 |          | Sleep Operation .....                        | 343      |
| GOTO .....                               | 472      | Stop Condition Timing .....                  | 342      |
| <b>H</b>                                 |          | ID Locations .....                           | 425, 450 |
| Hardware Multiplier .....                | 127      | INCF .....                                   | 472      |
| 8 x 8 Multiplication Algorithms .....    | 127      | INCFSZ .....                                 | 473      |
| Operation .....                          | 127      | In-Circuit Debugger .....                    | 450      |
| Performance Comparison (table) .....     | 127      | In-Circuit Serial Programming (ICSP) .....   | 425, 450 |
| High/Low-Voltage Detect .....            | 401      | Indexed Literal Offset Addressing            |          |
| Applications .....                       | 404      | and Standard PIC18 Instructions .....        | 498      |
| Associated Registers .....               | 405      | Indexed Literal Offset Mode .....            | 498      |
| Current Consumption .....                | 403      | Indirect Addressing .....                    | 105      |
| Effects of a Reset .....                 | 405      | INFSNZ .....                                 | 473      |
| Operation .....                          | 402      | Instruction Cycle .....                      | 90       |
| During Sleep .....                       | 405      | Clocking Scheme .....                        | 90       |
|  |          | Flow/Pipelining .....                        | 90       |

# PIC18F87K90 FAMILY

|   |     |  |          |
|---|-----|--|----------|
| Instruction Set .....                     | 451 | RRNCF .....  | 485      |
| ADDLW .....                               | 457 | SETF .....   | 485      |
| ADDWF .....                               | 457 | SETF (Indexed Literal Offset Mode) .....               | 499      |
| ADDWF (Indexed Literal Offset Mode) ..... | 499 | SLEEP .....  | 486      |
| ADDWFC .....                              | 458 | Standard Instructions .....                            | 451      |
| ANDLW .....                               | 458 | SUBFWB .....   | 486      |
| ANDWF .....                               | 459 | SUBLW .....  | 487      |
| BC .....                                  | 459 | SUBWF .....  | 487      |
| BCF .....                                 | 460 | SUBWFB .....   | 488      |
| BN .....                                  | 460 | SWAPF .....  | 488      |
| BNC .....                                 | 461 | TBLRD .....  | 489      |
| BNN .....                                 | 461 | TBLWT .....  | 490      |
| BNOV .....                                | 462 | TSTFSZ .....   | 491      |
| BNZ .....                                 | 462 | XORLW .....  | 491      |
| BOV .....                                 | 465 | XORWF .....  | 492      |
| BRA .....                                 | 463 | INTCON Register  |          |
| BSF .....                                 | 463 | RBIF Bit .....   | 160      |
| BSF (Indexed Literal Offset Mode) .....   | 499 | Inter-Integrated Circuit. <i>See</i> I <sup>2</sup> C. |          |
| BTFSC .....                               | 464 | Internal Oscillator Block .....                        | 49       |
| BTFSS .....                               | 464 | Adjustment .....                                       | 50       |
| BTG .....                                 | 465 | INTIO Modes .....                                      | 49       |
| BZ .....                                  | 466 | INTOSC Frequency Drift .....                           | 50       |
| CALL .....                                | 466 | INTOSC Output Frequency .....                          | 50       |
| CLRF .....                                | 467 | INTPLL Modes .....                                     | 50       |
| CLRWDT .....                              | 467 | Internal RC Oscillator                                 |          |
| COMF .....                                | 468 | Use with WDT .....                                     | 440      |
| CPFSEQ .....                              | 468 | Internet Address .....                                 | 566      |
| CPFSGT .....                              | 469 | Interrupt Sources .....                                | 425      |
| CPFSLT .....                              | 469 | A/D Conversion Complete .....                          | 383      |
| DAW .....                                 | 470 | Capture Complete (CCP) .....                           | 243      |
| DCFSNZ .....                              | 471 | Capture Complete (ECCP) .....                          | 255      |
| DECF .....                                | 470 | Compare Complete (CCP) .....                           | 244      |
| DECFSZ .....                              | 471 | Compare Complete (ECCP) .....                          | 256      |
| Extended Instructions .....               | 493 | Interrupt-on-Change (RB7:RB4) .....                    | 160      |
| Considerations when Enabling .....        | 498 | TMR0 Overflow .....                                    | 185      |
| Syntax .....                              | 493 | TMR1 Overflow .....                                    | 192      |
| Use with MPLAB IDE Tools .....            | 500 | TMR2 to PR2 Match (PWM) .....                          | 248      |
| General Format .....                      | 453 | TMRx Overflow .....                                    | 201, 210 |
| GOTO .....                                | 472 | TMRx to PRx Match .....                                | 215      |
| INCF .....                                | 472 | TMRx to PRx Match (PWM) .....                          | 213      |
| INCFSZ .....                              | 473 | Interrupts .....                                       | 129      |
| INFSNZ .....                              | 473 | Associated Registers .....                             | 152      |
| IORLW .....                               | 474 | During, Context Saving .....                           | 151      |
| IORWF .....                               | 474 | INTx Pin .....   | 151      |
| LFSR .....                                | 475 | PORTB, Interrupt-on-Change .....                       | 151      |
| MOVF .....                                | 475 | TMR0 .....   | 151      |
| MOVFF .....                               | 476 | Interrupts, Flag Bits                                  |          |
| MOVLB .....                               | 476 | Interrupt-on-Change (RB7:RB4) Flag (RBIF Bit) .....    | 160      |
| MOVLW .....                               | 477 | TMR12 to PR12 Match Flag (TMR12IF Bit) .....           | 138      |
| MOVWF .....                               | 477 | INTOSC, INTRC. <i>See</i> Internal Oscillator Block.   |          |
| MULLW .....                               | 478 | IORLW .....  | 474      |
| MULWF .....                               | 478 | IORWF .....  | 474      |
| NEGF .....                                | 479 |  |          |
| NOP .....                                 | 479 | <b>L</b>   |          |
| Opcode Field Descriptions .....           | 452 | LCD  |          |
| POP .....                                 | 480 | Associated Registers .....                             | 301      |
| PUSH .....                                | 480 | Bias Types .....                                       | 281      |
| RCALL .....                               | 481 | Clock Source Selection .....                           | 280      |
| RESET .....                               | 481 | Configuring the Module .....                           | 300      |
| RETFIE .....                              | 482 | Frame Frequency .....                                  | 286      |
| RETLW .....                               | 482 | Interrupts .....                                       | 298      |
| RETURN .....                              | 483 | LCDCON Register .....                                  | 274      |
| RLCF .....                                | 483 | LCDDATAx Registers .....                               | 274      |
| RLNCF .....                               | 484 | LCDPS Register .....                                   | 274      |
| RRCF .....                                | 484 | LCDSEx Registers .....                                 | 274      |
|   |     | Multiplex Types .....                                  | 285      |

# PIC18F87K90 FAMILY

|   |     |
|---|-----|
| Operation During Sleep .....              | 299 |
| Pixel Control.....                        | 285 |
| Prescaler.....                            | 280 |
| Segment Enables.....                      | 285 |
| Waveform Generation.....                  | 286 |
| LCD Driver .....                          | 10  |
| LCDCON Register.....                      | 274 |
| LCDDATAx Registers .....                  | 274 |
| LCDPS Register.....                       | 274 |
| LP3:LP0 Bits .....                        | 280 |
| LCDSEx Registers .....                    | 274 |
| LFSR.....                                 | 475 |
| Liquid Crystal Display (LCD) Driver ..... | 273 |

## M

|  |          |
|--|----------|
| Master Clear ( $\overline{\text{MCLR}}$ ).....                     | 71       |
| Master Synchronous Serial Port (MSSP). <i>See</i> MSSP.            |          |
| Memory Organization.....   | 85       |
| Data Memory .....  | 92       |
| Program Memory   |          |
| Memory Maps .....  | 85       |
| Microchip Internet Web Site .....                                  | 566      |
| Migration From PIC18F85J90 and<br>PIC18F87J90 to PIC18F87K90 ..... | 553      |
| MOVF.....  | 475      |
| MOVFF.....   | 476      |
| MOVLB.....   | 476      |
| MOVLW.....   | 477      |
| MOVSF .....  | 495      |
| MOVSS .....  | 496      |
| MOVWF .....  | 477      |
| MPLAB ASM30 Assembler, Linker, Librarian .....                     | 502      |
| MPLAB Integrated Development Environment                           |          |
| Software .....   | 501      |
| MPLAB PM3 Device Programmer.....                                   | 504      |
| MPLAB REAL ICE In-Circuit Emulator System.....                     | 503      |
| MPLINK Object Linker/MPLIB Object Librarian .....                  | 502      |
| MSSP   |          |
| ACK Pulse.....   | 318, 321 |
| I <sup>2</sup> C Mode. <i>See</i> I <sup>2</sup> C Mode.           |          |
| Module Overview .....  | 303      |
| SPI Mode .....   | 303      |
| Associated Registers .....   | 312      |
| Bus Mode Compatibility .....                                       | 311      |
| Clock Speed, Interactions .....                                    | 311      |
| Effects of a Reset.....  | 311      |
| Enabling SPI I/O .....   | 307      |
| Master Mode.....   | 308      |
| Operation .....  | 306      |
| Operation in Power-Managed Modes .....                             | 311      |
| Serial Clock.....  | 303      |
| Serial Data Out .....  | 303      |
| Slave Mode.....  | 309      |
| Slave Select.....  | 303      |
| Slave Select Synchronization .....                                 | 309      |
| SPI Clock .....  | 308      |
| SSPxBUF Register .....   | 308      |
| SSPxSR Register .....  | 308      |
| Typical Connection .....   | 307      |
| SPI Mode Serial Data In .....                                      | 303      |
| MULLW .....  | 478      |
| MULWF .....  | 478      |

## N

|  |     |
|--|-----|
| NEGF.....  | 479 |
| NOP .....  | 479 |
| Notable Differences Between PIC18F87K90,<br>PIC18F87J90 and PIC18F85J90 Families ..... | 554 |

## O

|                                      |     |
|--------------------------------------|-----|
| On-Chip Regulator.....               | 425 |
| On-Chip Voltage Regulator.....       | 442 |
| Enable/Disable by Hardware .....     | 442 |
| Oscillator Configuration .....       | 41  |
| Clock Sources, Switching .....       | 45  |
| EC.....                              | 41  |
| ECIO.....                            | 41  |
| HS.....                              | 41  |
| Internal Oscillator Block.....       | 49  |
| INTIO1 .....                         | 41  |
| INTIO2.....                          | 41  |
| LP .....                             | 41  |
| RC .....                             | 41  |
| RCIO.....                            | 41  |
| Transitions .....                    | 46  |
| XT .....                             | 41  |
| Oscillator Selection .....           | 425 |
| Oscillator Start-up Timer (OST)..... | 52  |
| Oscillator, Timer1.....              | 187 |

## P

|                                      |        |
|--------------------------------------|--------|
| P1A/P1B/P1C/P1D. <i>See</i> Enhanced |        |
| Capture/Compare/PWM (ECCP).....      | 257    |
| Packaging .....                      | 545    |
| Details.....                         | 546    |
| Marking .....                        | 545    |
| Pin Functions                        |        |
| AVDD.....                            | 22, 33 |
| AVss .....                           | 22, 33 |
| ENVREG .....                         | 22, 33 |
| MCLR/RG5 .....                       | 14, 22 |
| OSC1/CLKI/RA7 .....                  | 14, 22 |
| OSC2/CLKO/RA6 .....                  | 14, 22 |
| RA0/AN0/ULPWU .....                  | 15, 23 |
| RA1/AN1/SEG18 .....                  | 15, 23 |
| RA2/AN2/VREF- .....                  | 15, 23 |
| RA3/AN3/REF+ .....                   | 15     |
| RA3/AN3/VREF+ .....                  | 23     |
| RA4/T0CKI/SEG14 .....                | 15, 23 |
| RA5/AN4/SEG15/T1CKI/T3G/HLVDIN.....  | 15, 23 |
| RB0/INT0/SEG30/FLT0 .....            | 24     |
| RB0/INT0/SEG30/FLT0 .....            | 16     |
| RB1/INT1/SEG8 .....                  | 16, 24 |
| RB2/INT2/SEG9/CTED1.....             | 16, 24 |
| RB3/INT3/SEG10/CTED2/ECCP2/P2A.....  | 16, 24 |
| RB4/KBI0/SEG11 .....                 | 16, 24 |
| RB5/KBI1/SEG29/T3CKI/T1G .....       | 16, 24 |
| RB6/KBI2/PGC .....                   | 16, 25 |
| RB7/KBI3/PGD .....                   | 16, 25 |
| RC0/SOSCO/SCKLI .....                | 26     |
| RC0/SOSCO/SCKLI .....                | 17     |
| RC1/SOSCI/ECCP2/P2A/SEG32 .....      | 17     |
| RC1/SOSCI/ECCP2/SEG32/P2A.....       | 26     |
| RC2/ECCP1/P1A/SEG13 .....            | 17, 26 |



# PIC18F87K90 FAMILY

|   |        |  |     |
|---|--------|--|-----|
| RC3/SCK1/SCL1/SEG17.....                              | 17, 26 | POP.....   | 480 |
| RC4/SDI1/SDA1/SEG16.....                              | 17, 26 | POR. See Power-on Reset.                         |     |
| RC5/SDO1/SEG12.....                                   | 17, 26 | PORTA  |     |
| RC6/TX1/CK1/SEG27.....                                | 17, 26 | Associated Registers.....                        | 159 |
| RC7/RX1/DT1/SEG28.....                                | 17, 26 | LATA Register.....                               | 157 |
| RD0/SEG0/CTPLS.....                                   | 18, 27 | PORTA Register.....                              | 157 |
| RD1/SEG1/T5CKI/T7G.....                               | 18, 27 | TRISA Register.....                              | 157 |
| RD2/SEG2.....   | 18, 27 | PORTB  |     |
| RD3/SEG3.....   | 18, 27 | Associated Registers.....                        | 162 |
| RD4/SEG4/SDO2.....                                    | 18, 27 | LATB Register.....                               | 160 |
| RD5/SEG5/SDI2/SDA2.....                               | 18, 27 | PORTB Register.....                              | 160 |
| RD6/SEG6/SCK2/SCL2.....                               | 18, 27 | RB7:RB4 Interrupt-on-Change Flag (RBIF Bit)..... | 160 |
| RD7/SEG7/SS2.....                                     | 18, 27 | TRISB Register.....                              | 160 |
| RE0/LCDBIAS1/P2D.....                                 | 19, 28 | PORTC  |     |
| RE1/LCDBIAS2/P2C.....                                 | 19, 28 | Associated Registers.....                        | 165 |
| RE2/LCDBIAS3/P2B/CCP10.....                           | 19, 28 | LATC Register.....                               | 163 |
| RE3/COM0/P3C/CCP9/REFO.....                           | 19, 28 | PORTC Register.....                              | 163 |
| RE4/COM1/P3B/CCP8.....                                | 19, 28 | TRISC Register.....                              | 163 |
| RE5/COM2/P1C/CCP7.....                                | 19, 28 | PORTD  |     |
| RE6/COM3/P1B/CCP6.....                                | 19, 28 | Associated Registers.....                        | 168 |
| RE7/ECCP2/P2A/SEG31.....                              | 28     | LATD Register.....                               | 166 |
| RE7/ECCP2/SEG31/P2A.....                              | 19     | PORTD Register.....                              | 166 |
| RF1/AN6/C2OUT/SEG19/CTDIN.....                        | 20, 29 | TRISD Register.....                              | 166 |
| RF2/AN7/C1OUT/SEG20.....                              | 20     | PORTE  |     |
| RF2/AN7/C1OUT/SEG20/CTMUI.....                        | 29     | Associated Registers.....                        | 171 |
| RF3/AN8/SEG21/C2INB.....                              | 29     | LATE Register.....                               | 169 |
| RF3/AN8/SEG21/C2INB/CTMUI.....                        | 20     | Pins Available in Different LCD Drives.....      | 169 |
| RF4/AN9/SEG22/C2INA.....                              | 20, 29 | PORTE Register.....                              | 169 |
| RF5/AN10.....   | 20     | TRISE Register.....                              | 169 |
| RF5/AN10/CVREF/SEG23/C1INB.....                       | 29     | PORTF  |     |
| RF6/AN11/SEG24/C1INA.....                             | 20, 29 | Associated Registers.....                        | 174 |
| RF7/AN5/SS1/SEG25.....                                | 20, 29 | LATF Register.....                               | 172 |
| RG0/ECCP3/P3A.....                                    | 21, 30 | PORTF Register.....                              | 172 |
| RG1/TX2/CK2/AN19/C3OUT.....                           | 21, 30 | TRISF Register.....                              | 172 |
| RG2/RX2/DT2/AN18/C3INA.....                           | 21, 30 | PORTG  |     |
| RG3/CCP4/AN17/P3D/C3INB.....                          | 21, 30 | Associated Registers.....                        | 176 |
| RG4/SEG26/RTCC/T7CKI/T5G/CCP5/AN16/P1D/<br>C3INC..... | 21, 30 | LATG Register.....                               | 175 |
| RH0/SEG47/AN23.....                                   | 31     | PORTG Register.....                              | 175 |
| RH1/SEG46/AN22.....                                   | 31     | TRISG Register.....                              | 175 |
| RH2/SEG45/AN21.....                                   | 31     | PORTH  |     |
| RH3/SEG44/AN20.....                                   | 31     | Associated Registers.....                        | 179 |
| RH4/SEG40/CCP9/P3C/AN12/C2INC.....                    | 31     | LATH Register.....                               | 177 |
| RH5/SEG41/CCP8/P3B/AN13/C2IND.....                    | 31     | PORTH Register.....                              | 177 |
| RH6/SEG42/CCP7/P1C/AN14/C1INC.....                    | 31     | TRISH Register.....                              | 177 |
| RH7/SEG43/CCP6/P1B/AN15.....                          | 32     | PORTJ  |     |
| RJ0.....  | 33     | Associated Registers.....                        | 181 |
| RJ1/SEG33.....  | 33     | LATJ Register.....                               | 180 |
| RJ2/SEG34.....  | 33     | PORTJ Register.....                              | 180 |
| RJ3/SEG35.....  | 33     | TRISJ Register.....                              | 180 |
| RJ4/SEG39.....  | 33     | Power-Managed Modes.....                         | 53  |
| RJ5/SEG38.....  | 33     | and PWM Operation.....                           | 271 |
| RJ6/SEG37.....  | 33     | and SPI Operation.....                           | 311 |
| RJ7/SEG36.....  | 33     | Clock Transitions and Status Indicators.....     | 54  |
| VDD.....  | 22, 33 | Entering.....                                    | 53  |
| VDDCORE/VCAP.....                                     | 22, 33 | Exiting Idle and Sleep Modes.....                | 65  |
| VSS.....  | 22, 33 | by Interrupt.....                                | 65  |
| Pinout I/O Descriptions                               |        | by Reset.....                                    | 65  |
| PIC18F6XK90.....                                      | 14     | by WDT Time-out.....                             | 65  |
| PIC18F8XK90.....                                      | 22     | Without an Oscillator Start-up Delay.....        | 65  |
| PIR5 Register   |        | Idle Modes.....                                  | 58  |
| TMR12IF Bit.....                                      | 138    | PRI_IDLE.....                                    | 59  |
| PLL.....  | 48     | RC_IDLE.....                                     | 60  |
| HSPLL and ECPLL Oscillator Modes.....                 | 48     | SEC_IDLE.....                                    | 59  |
| Use with HF-INTOSC.....                               | 49     |  |     |

# PIC18F87K90 FAMILY

|  |        |  |        |
|--|--------|--|--------|
| Multiple Sleep Commands .....                        | 54     | Reader Response .....  | 567    |
| Run Modes .....                                      | 54     | Real-Time Clock and Calendar (RTCC) .....                        | 217    |
| PRI_RUN .....  | 54     | Alarm .....  | 232    |
| RC_RUN .....   | 55     | Configuring .....  | 232    |
| SEC_RUN .....  | 54     | Interrupt .....  | 233    |
| Selecting .....                                      | 53     | Mask Settings .....  | 233    |
| Sleep Mode .....                                     | 58     | Alarm Value Registers (ALRMVAL) .....                            | 226    |
| OSC1, OSC2 Pin States .....                          | 52     | Clock Source .....   | 230    |
| Summary (table) .....                                | 53     | Control Registers .....  | 219    |
| Power-on Reset (POR) .....                           | 71     | Digit Carry Rules .....  | 230    |
| Power-up Delays .....                                | 52     | Operation .....  | 229    |
| Power-up Timer (PWRT) .....                          | 52, 72 | Calibration .....  | 232    |
| Time-out Sequence .....                              | 72     | General Functionality .....                                      | 231    |
| Prescaler, Timer0 .....                              | 185    | Leap Year .....  | 231    |
| Prescaler, Timer2 .....                              | 248    | Register Mapping .....   | 231    |
| PRI_IDLE Mode .....                                  | 59     | Register Reads/Writes, Safety Window .....                       | 231    |
| PRI_RUN Mode .....                                   | 54     | Write Lock .....   | 231    |
| Program Counter (PC) .....                           | 87     | Register Interface .....   | 229    |
| PCL, PCH and PCU Registers .....                     | 87     | Register Maps .....  | 235    |
| PCLATH and PCLATU Registers .....                    | 87     | Alarm Value .....  | 235    |
| Program Memory .....                                 |        | RTCC Control .....   | 235    |
| Extended Instruction Set .....                       | 106    | RTCC Value .....   | 235    |
| Hard Memory Vectors .....                            | 86     | Registers .....  | 218    |
| Instructions .....                                   | 91     | Reset .....  | 234    |
| Two-Word .....                                       | 91     | Device .....   | 234    |
| Interrupt Vector .....                               | 86     | Power-on Reset (POR) .....                                       | 234    |
| Look-up Tables .....                                 | 89     | RTCCEN Bit, Write .....  | 229    |
| Memory Maps .....                                    |        | Sleep Mode .....   | 234    |
| Hard Vectors and Configuration Words .....           | 86     | Value Registers (RTCVAL) .....                                   | 222    |
| Reset Vector .....                                   | 86     | Reference Clock Output .....                                     | 51     |
| Program Verification .....                           | 447    | Register File .....  | 94     |
| Programming, Device Instructions .....               | 451    | Register File Summary .....                                      | 97–102 |
| Pulse Steering .....                                 | 268    | Registers .....  |        |
| Pulse-Width Modulation. <i>See</i> PWM (CCP Module). |        | ADCON0 (A/D Control 0) .....                                     | 374    |
| PUSH .....   | 480    | ADCON1 (A/D Control 1) .....                                     | 375    |
| PUSH and POP Instructions .....                      | 88     | ADCON2 (A/D Control 2) .....                                     | 376    |
| PUSHL .....  | 496    | ADRESH (A/D Result High Byte Left Justified,<br>ADFM = 0) .....  | 378    |
| PWM (CCP Module) .....                               |        | ADRESH (A/D Result High Byte Right Justified,<br>ADFM = 1) ..... | 379    |
| Associated Registers with PWM and Timers .....       | 249    | ADRESL (A/D Result Low Byte Left Justified,<br>ADFM = 0) .....   | 378    |
| Duty Cycle .....                                     | 248    | ADRESL (A/D Result Low Byte Right Justified,<br>ADFM = 1) .....  | 379    |
| Example Frequencies/Resolutions, 40 MHz .....        | 248    | ALRMCFG (Alarm Configuration) .....                              | 221    |
| Period .....   | 248    | ALRMDAY (Alarm Day Value) .....                                  | 226    |
| Setup for Operation .....                            | 249    | ALRMRH (Alarm Hours Value) .....                                 | 227    |
| TMR12 to PR12 Match Flag (TMR12IF Bit) .....         | 138    | ALRMMIN (Alarm Minutes Value) .....                              | 228    |
| TMR2 to PR2 Match .....                              | 248    | ALRMMNTH (Alarm Month Value) .....                               | 226    |
| TMRx to PRx Match .....                              | 213    | ALRMRPT (Alarm Repeat) .....                                     | 222    |
| PWM (ECCP Module) .....                              |        | ALRMSEC (Alarm Seconds Value) .....                              | 228    |
| Effects of a Reset .....                             | 271    | ALRMWD (Alarm Weekday Value) .....                               | 227    |
| Operation in Power-Managed Modes .....               | 271    | ANCON0 (A/D Port Configuration 0) .....                          | 380    |
| Operation with Fail-Safe Clock Monitor .....         | 271    | ANCON1 (A/D Port Configuration 1) .....                          | 380    |
| Pulse Steering .....                                 | 268    | ANCON2 (A/D Port Configuration 2) .....                          | 381    |
| Steering Synchronization .....                       | 270    | BAUDCONx (Baud Rate Control) .....                               | 352    |
| PWM Mode. <i>See</i> Enhanced Capture/Compare/PWM.   |        | CCPRxH (CCPx Period High Byte) .....                             | 240    |
| <b>Q</b> .....                                       |        | CCPRxL (CCPx Period Low Byte) .....                              | 240    |
| Q Clock .....  | 248    | CCPTMRS0 (CCP Timer Select 0) .....                              | 253    |
| <b>R</b> .....                                       |        | CCPTMRS1 (CCPx Timer Select 1) .....                             | 238    |
| RAM. <i>See</i> Data Memory.                         |        | CCPTMRS2 (CCPx Timer Select 2) .....                             | 239    |
| RC Oscillator .....                                  | 47     | CCPxCON (CCPx Control, CCP4-CCP10) .....                         | 237    |
| RC_IDLE Mode .....                                   | 60     | CCPxCON (Enhanced Capture/Compare/<br>PWM x Control) .....       | 252    |
| RC_RUN Mode .....                                    | 55     |  |        |
| RCALL .....  | 481    |  |        |
| RCON Register .....                                  |        |  |        |
| Bit Status During Initialization .....               | 74     |  |        |

# PIC18F87K90 FAMILY

|   |         |  |         |
|---|---------|--|---------|
| CMSTAT (Comparator Status).....                       | 391     | PMD0 (Peripheral Module Disable 0) .....                     | 64      |
| CMxCON (Comparator Control x).....                    | 390     | PMD1 (Peripheral Module Disable 1) .....                     | 63      |
| CONFIG1H (Configuration 1 High).....                  | 428     | PMD2 (Peripheral Module Disable 2) .....                     | 62      |
| CONFIG1L (Configuration 1 Low).....                   | 427     | PMD3 (Peripheral Module Disable 3) .....                     | 61      |
| CONFIG2H (Configuration 2 High).....                  | 430     | PSTRxCON (Pulse Steering Control).....                       | 269     |
| CONFIG2L (Configuration 2 Low).....                   | 429     | RCON (Reset Control).....                                    | 70, 150 |
| CONFIG3H (Configuration 3 High).....                  | 431     | RCSTAx (Receive Status and Control) .....                    | 351     |
| CONFIG3L (Configuration 3 Low).....                   | 431     | REFOCON (Reference Oscillator Control) .....                 | 51      |
| CONFIG4L (Configuration 4 Low).....                   | 432     | Reserved .....   | 222     |
| CONFIG5H (Configuration 5 High).....                  | 434     | RTCCAL (RTCC Calibration).....                               | 220     |
| CONFIG5L (Configuration 5 Low).....                   | 433     | RTCCFG (RTCC Configuration).....                             | 219     |
| CONFIG6H (Configuration 6 High).....                  | 436     | SECOND (Second Value) .....                                  | 225     |
| CONFIG6L (Configuration 6 Low).....                   | 435     | SSPxCON1 (MSSPx Control 1, I <sup>2</sup> C Mode) .....      | 315     |
| CONFIG7H (Configuration 7 High).....                  | 438     | SSPxCON1 (MSSPx Control 1, SPI Mode).....                    | 305     |
| CONFIG7L (Configuration 7 Low).....                   | 437     | SSPxCON2 (MSSPx Control 2, I <sup>2</sup> C Master Mode) ..  | 316     |
| CTMUCONH (CTMU Control High).....                     | 408     | SSPxCON2 (MSSPx Control 2, I <sup>2</sup> C Slave Mode) .... | 317     |
| CTMUCONL (CTMU Control Low).....                      | 409     | SSPxMSK (I <sup>2</sup> C Slave Address Mask, 7-Bit).....    | 317     |
| CTMUICON (CTMU Current Control).....                  | 410     | SSPxSTAT (MSSPx Status, I <sup>2</sup> C Mode).....          | 314     |
| CVRCON (Comparator Voltage Reference<br>Control)..... | 397     | SSPxSTAT (MSSPx Status, SPI Mode).....                       | 304     |
| DAY (Day Value).....                                  | 224     | STATUS .....   | 103     |
| DEVID1 (Device ID 1).....                             | 439     | STKPTR (Stack Pointer).....                                  | 88      |
| DEVID2 (Device ID 2).....                             | 439     | T0CON (Timer0 Control) .....                                 | 183     |
| ECCPxAS (ECCPx Auto-Shutdown Control).....            | 265     | T1CON (Timer1 Control) .....                                 | 187     |
| ECCPxDEL (Enhanced PWM Control).....                  | 268     | T1GCON (Timer1 Gate Control).....                            | 188     |
| EECON1 (Data EEPROM Control 1).....                   | 122     | T2CON (Timer2 Control) .....                                 | 199     |
| EECON1 (EEPROM Control 1).....                        | 113     | TxCON (Timer3/5/7 Control) .....                             | 202     |
| HLVDCON (High/Low-Voltage Detect Control).....        | 401     | TxCON (Timer4/6/8/10/12 Control) .....                       | 214     |
| HOUR (Hour Value).....                                | 225     | TxGCON (Timer3/5/7 Gate Control).....                        | 203     |
| INTCON (Interrupt Control).....                       | 131     | TXSTAx (Transmit Status and Control) .....                   | 350     |
| INTCON2 (Interrupt Control 2).....                    | 132     | WDTCON (Watchdog Timer Control) .....                        | 441     |
| INTCON3 (Interrupt Control 3).....                    | 133     | WEEKDAY (Weekday Value).....                                 | 224     |
| IPR1 (Peripheral Interrupt Priority 1).....           | 145     | YEAR (Year Value).....                                       | 223     |
| IPR2 (Peripheral Interrupt Priority 2).....           | 146     | RESET .....  | 481     |
| IPR3 (Peripheral Interrupt Priority 3).....           | 147     | Reset .....  | 69      |
| IPR4 (Peripheral Interrupt Priority 4).....           | 147     | Brown-out Reset (BOR).....                                   | 69      |
| IPR5 (Peripheral Interrupt Priority 5).....           | 148     | Configuration Mismatch (CM).....                             | 69      |
| IPR6 (Peripheral Interrupt Priority 6).....           | 149     | MCLR Reset, Normal Operation.....                            | 69      |
| LCDCON (LCD Control).....                             | 274     | MCLR Reset, Power-Managed Modes.....                         | 69      |
| LCDDATAx (LCD Datax) .....                            | 279     | Power-on Reset (POR).....                                    | 69      |
| LCDPS (LCD Phase) .....                               | 275     | RESET Instruction .....                                      | 69      |
| LCDREF (LCD Reference Voltage Control).....           | 276     | Stack Full.....  | 69      |
| LCDRL (LCD Reference Ladder Control) .....            | 277     | Stack Underflow .....  | 69      |
| LCDSEx (LCD Segmentx Enable) .....                    | 278     | State of Registers .....                                     | 74      |
| MINUTE (Minute Value).....                            | 225     | Watchdog Timer (WDT).....                                    | 69      |
| MONTH (Month Value).....                              | 223     | Resets .....   | 425     |
| ODCON1 (Peripheral Open-Drain Control 1).....         | 154     | Brown-out Reset (BOR).....                                   | 425     |
| ODCON2 (Peripheral Open-Drain Control 2).....         | 155     | Oscillator Start-up Timer (OST).....                         | 425     |
| ODCON3 (Peripheral Open-Drain Control 3).....         | 156     | Power-on Reset (POR).....                                    | 425     |
| OSCCON (Oscillator Control) .....                     | 43      | Power-up Timer (PWRT) .....                                  | 425     |
| OSCCON2 (Oscillator Control 2).....                   | 44, 204 | RETFIE .....   | 482     |
| OSCTUNE (Oscillator Tuning) .....                     | 45      | RETLW .....  | 482     |
| PADCFG1 (Pad Configuration).....                      | 220     | RETURN .....   | 483     |
| PIE1 (Peripheral Interrupt Enable 1).....             | 140     | Return Address Stack.....                                    | 87      |
| PIE2 (Peripheral Interrupt Enable 2).....             | 141     | Return Stack Pointer (STKPTR).....                           | 88      |
| PIE3 (Peripheral Interrupt Enable 3).....             | 142     | Revision History.....  | 553     |
| PIE4 (Peripheral Interrupt Enable 4).....             | 142     | RLCF .....   | 483     |
| PIE5 (Peripheral Interrupt Enable 5).....             | 143     | RLNCF .....  | 484     |
| PIE6 (Peripheral Interrupt Enable 6).....             | 144     | RRCF .....   | 484     |
| PIR1 (Peripheral Interrupt Request (Flag) 1).....     | 134     | RRNCF .....  | 485     |
| PIR2 (Peripheral Interrupt Request (Flag) 2).....     | 135     |  |         |
| PIR3 (Peripheral Interrupt Request (Flag) 3).....     | 136     |  |         |
| PIR4 (Peripheral Interrupt Request (Flag) 4).....     | 137     |  |         |
| PIR5 (Peripheral Interrupt Request (Flag) 5).....     | 138     |  |         |
| PIR6 (Peripheral Interrupt Request (Flag) 6).....     | 139     |  |         |

# PIC18F87K90 FAMILY

## S

|  |          |
|--|----------|
| SCKx   | 303      |
| SDIx   | 303      |
| SDOx   | 303      |
| SEC_IDLE Mode  | 59       |
| SEC_RUN Mode   | 54       |
| Secondary Oscillator (SOSC)                                    | 45       |
| Selective Peripheral Module Control                            | 60       |
| Serial Clock, SCKx   | 303      |
| Serial Data In (SDIx)  | 303      |
| Serial Data Out (SDOx)   | 303      |
| Serial Peripheral Interface. <i>See</i> SPI Mode.              |          |
| SETF   | 485      |
| Shoot-Through Current  | 267      |
| Slave Select (SSx)   | 303      |
| SLEEP  | 486      |
| Software Simulator (MPLAB SIM)                                 | 503      |
| Special Event Trigger. <i>See</i> Compare (CCP Module).        |          |
| Special Event Trigger. <i>See</i> Compare (ECCP Mode).         |          |
| Specifications   |          |
| AC (Timing) Characteristics                                    |          |
| Temperature and Voltage  | 524      |
| Capture/Compare/PWM Requirements                               |          |
| (ECCP1, ECCP2)   | 532      |
| CLKO and I/O Requirements                                      | 527      |
| Comparator   | 522      |
| EUSART/AUSART Synchronous Receive                              |          |
| Requirements   | 541      |
| EUSART/AUSART Synchronous Transmission                         |          |
| Requirements   | 541      |
| Example SPI Mode Requirements (Master Mode, CKE = 0)           | 533      |
| Example SPI Mode Requirements (Master Mode, CKE = 1)           | 534      |
| Example SPI Mode Requirements (Slave Mode, CKE = 0)            | 535      |
| Example SPI Slave Mode Requirements (CKE = 1)                  | 536      |
| External Clock Requirements                                    | 525      |
| High/Low-Voltage Detect Characteristics                        | 530      |
| I <sup>2</sup> C Bus Data Requirements (Slave Mode)            | 538      |
| I <sup>2</sup> C Bus Start/Stop Bits Requirements (Slave Mode) | 537      |
| Internal RC Accuracy (INTOSC)                                  | 526      |
| Internal Voltage Regulator                                     | 522      |
| Memory Programming Requirements                                | 521      |
| MSSP I <sup>2</sup> C Bus Data Requirements                    | 540      |
| MSSP I <sup>2</sup> C Bus Start/Stop Bits Requirements         | 539      |
| PLL Clock Timing   | 526      |
| Timer0 and Timer1 External Clock                               |          |
| Requirements   | 531      |
| Ultra Low-Power Wake-up  | 541      |
| Voltage Reference  | 522      |
| SSPOV  | 339      |
| SSPOV Status Flag  | 339      |
| SSPxSTAT Register  |          |
| R/W Bit  | 318, 321 |
| SSx  | 303      |
| Stack Full/Underflow Resets                                    | 89       |
| SUBFSR   | 497      |
| SUBFWB   | 486      |
| SUBLW  | 487      |
| SUBLNK   | 497      |
| SUBWF  | 487      |
| SUBWFB   | 488      |
| SWAPF  | 488      |

## T

|  |          |
|--|----------|
| Table Pointer Operations (table)                     | 114      |
| Table Reads/Table Writes                             | 89       |
| TBLRD  | 489      |
| TBLWT  | 490      |
| Timer0   | 183      |
| Associated Registers                                 | 185      |
| Operation  | 184      |
| Overflow Interrupt                                   | 185      |
| Prescaler  | 185      |
| Switching Assignment                                 | 185      |
| Prescaler Assignment (PSA Bit)                       | 185      |
| Prescaler Select (T0PS2:T0PS0 Bits)                  | 185      |
| Reads and Writes in 16-Bit Mode                      | 184      |
| Source Edge Select (T0SE Bit)                        | 184      |
| Source Select (T0CS Bit)                             | 184      |
| Timer1   | 187      |
| 16-Bit Read/Write Mode                               | 191      |
| Associated Registers                                 | 197      |
| Clock Source Selection                               | 189      |
| Gate   | 193      |
| Interrupt  | 192      |
| Operation  | 189      |
| Oscillator   | 187      |
| Resetting, Using the ECCP Special                    |          |
| Event Trigger  | 193      |
| SOSC Oscillator                                      | 191      |
| Layout Considerations                                | 192      |
| Use as a Clock Source                                | 192      |
| TMR1H Register                                       | 187      |
| TMR1L Register                                       | 187      |
| Timer2   | 199      |
| Associated Registers                                 | 200      |
| Interrupt  | 200      |
| Operation  | 199      |
| Output   | 200      |
| PR2 Register   | 248      |
| TMR12 to PR12 Match Flag (TMR12IF Bit)               | 138      |
| TMR12 to PR2 Match Interrupt                         | 248      |
| Timer3/5/7   | 201      |
| 16-Bit Read/Write Mode                               | 206      |
| Associated Registers                                 | 211      |
| Gates  | 206      |
| Operation  | 205      |
| Overflow Interrupt                                   | 201, 210 |
| SOSC Oscillator                                      | 201      |
| Use as a Clock Source                                | 206      |
| Special Event Trigger (ECCP)                         | 210      |
| TMRxH Register                                       | 201      |
| TMRxL Register                                       | 201      |
| Timer4/6/8/10/12                                     | 213      |
| Associated Registers                                 | 215      |
| Interrupt  | 215      |
| Operation  | 213      |
| Output   | 215      |
| Outputs, PWM Time Base for ECCP                      | 215      |
| Postscaler. <i>See</i> Postscaler, Timer4/6/8/10/12. |          |
| Prescaler. <i>See</i> Prescaler, Timer4/6/8/10/12.   |          |
| PRx Register   | 213      |
| TMRx Register  | 213      |
| TMRx to PRx Match Interrupt                          | 213, 215 |

# PIC18F87K90 FAMILY

|   |          |   |     |
|---|----------|---|-----|
| Timing Diagrams   |          | I <sup>2</sup> C Stop Condition Receive or Transmit Mode..... | 342 |
| A/D Conversion.....   | 543      | LCD Interrupt Timing in Quarter Duty Cycle Drive ...          | 298 |
| Automatic Baud Rate Calculation .....                         | 358      | LCD Reference Ladder Power Mode Switching .....               | 283 |
| Auto-Wake-up Bit (WUE) During Normal                          |          | LCD Sleep Entry/Exit When SLPEN = 1 or CS = 00                | 299 |
| Operation .....   | 365      | Low-Voltage Detect Operation (VDIRMAG = 0) .....              | 403 |
| Auto-Wake-up Bit (WUE) During Sleep .....                     | 365      | MSSP I <sup>2</sup> C Bus Data .....                          | 539 |
| Baud Rate Generator with Clock Arbitration .....              | 336      | MSSP I <sup>2</sup> C Bus Start/Stop Bits .....               | 539 |
| BRG Overflow Sequence.....                                    | 358      | PWM Auto-Shutdown with Auto-Restart Enabled,                  |     |
| BRG Reset Due to SDAX Arbitration During                      |          | PxRSEN = 1 .....  | 266 |
| Start Condition .....   | 345      | PWM Auto-Shutdown with Firmware Restart,                      |     |
| Brown-out Reset (BOR).....                                    | 528      | PxRSEN = 0 .....  | 266 |
| Bus Collision During a Repeated Start                         |          | PWM Direction Change .....                                    | 263 |
| Condition (Case 1).....                                       | 346      | PWM Direction Change at Near 100%                             |     |
| Bus Collision During a Repeated Start                         |          | Duty Cycle .....  | 264 |
| Condition (Case 2).....                                       | 346      | PWM Output .....  | 248 |
| Bus Collision During a Start Condition                        |          | PWM Output (Active-High) .....                                | 258 |
| (SCLx = 0).....   | 345      | PWM Output (Active-Low) .....                                 | 259 |
| Bus Collision During a Stop Condition                         |          | Repeated Start Condition .....                                | 338 |
| (Case 1).....   | 347      | Reset, Watchdog Timer (WDT), Oscillator Start-up              |     |
| Bus Collision During a Stop Condition                         |          | Timer (OST) and Power-up Timer (PWRT).....                    | 528 |
| (Case 2).....   | 347      | Send Break Character Sequence.....                            | 366 |
| Bus Collision During Start Condition                          |          | Slave Synchronization .....                                   | 309 |
| (SDAX Only).....  | 344      | Slow Rise Time (MCLR Tied to VDD,                             |     |
| Bus Collision for Transmit and Acknowledge.....               | 343      | VDD Rise > TPWRT).....  | 73  |
| Capture/Compare/PWM (ECCP1, ECCP2) .....                      | 532      | SPI Mode (Master Mode) .....                                  | 308 |
| CLKO and I/O .....  | 527      | SPI Mode (Slave Mode, CKE = 0).....                           | 310 |
| Clock Synchronization .....                                   | 329      | SPI Mode (Slave Mode, CKE = 1).....                           | 310 |
| Clock/Instruction Cycle .....                                 | 90       | Steering Event at Beginning of Instruction                    |     |
| EUSART Asynchronous Reception .....                           | 363      | (STRSYNC = 1).....  | 270 |
| EUSART Asynchronous Transmission .....                        | 360      | Steering Event at End of Instruction                          |     |
| EUSART Asynchronous Transmission                              |          | (STRSYNC = 0).....  | 270 |
| (Back-to-Back).....   | 360      | Synchronous Master Transmission                               |     |
| EUSART Synchronous Master Transmission .....                  | 367      | (Through TXEN) .....  | 368 |
| EUSART Synchronous Transmission                               |          | Synchronous Reception (Master Mode, SREN).....                | 369 |
| (Master/Slave) .....  | 541      | Time-out Sequence on Power-up (MCLR Not                       |     |
| EUSART/AUSART Synchronous Receive                             |          | Tied to VDD), Case 1 .....                                    | 73  |
| (Master/Slave) .....  | 541      | Time-out Sequence on Power-up (MCLR Not                       |     |
| Example SPI Master Mode (CKE = 0) .....                       | 533      | Tied to VDD), Case 2 .....                                    | 73  |
| Example SPI Master Mode (CKE = 1) .....                       | 534      | Time-out Sequence on Power-up                                 |     |
| Example SPI Slave Mode (CKE = 0) .....                        | 535      | (MCLR Tied to VDD, VDD Rise TPWRT).....                       | 72  |
| Example SPI Slave Mode (CKE = 1) .....                        | 536      | Timer Pulse Generation.....                                   | 234 |
| External Clock.....   | 525      | Timer0 and Timer1 External Clock .....                        | 531 |
| Fail-Safe Clock Monitor (FSCM).....                           | 446      | Timer1 Gate Count Enable Mode.....                            | 193 |
| First Start Bit Timing .....                                  | 337      | Timer1 Gate Single Pulse Mode.....                            | 196 |
| Full-Bridge PWM Output.....                                   | 262      | Timer1 Gate Single Pulse/Toggle                               |     |
| Half-Bridge PWM Output .....                                  | 260, 267 | Combined Mode .....   | 197 |
| High/Low-Voltage Detect Characteristics .....                 | 530      | Timer1 Gate Toggle Mode.....                                  | 195 |
| High-Voltage Detect Operation (VDIRMAG = 1).....              | 404      | Timer3/5/7 Gate Count Enable Mode .....                       | 206 |
| I <sup>2</sup> C Acknowledge Sequence .....                   | 342      | Timer3/5/7 Gate Single Pulse Mode.....                        | 208 |
| I <sup>2</sup> C Bus Data .....                               | 538      | Timer3/5/7 Gate Single Pulse/Toggle                           |     |
| I <sup>2</sup> C Bus Start/Stop Bits.....                     | 537      | Combined Mode .....   | 209 |
| I <sup>2</sup> C Master Mode (7 or 10-Bit Transmission) ..... | 340      | Timer3/5/7 Gate Toggle Mode.....                              | 207 |
| I <sup>2</sup> C Master Mode (7-Bit Reception).....           | 341      | Transition for Entry to Idle Mode .....                       | 59  |
| I <sup>2</sup> C Slave Mode (10-Bit Reception, SEN = 0,       |          | Transition for Entry to SEC_RUN Mode .....                    | 55  |
| ADMSK = 01001).....   | 325      | Transition for Entry to Sleep Mode .....                      | 58  |
| I <sup>2</sup> C Slave Mode (10-Bit Reception, SEN = 0) ..... | 326      | Transition for Two-Speed Start-up                             |     |
| I <sup>2</sup> C Slave Mode (10-Bit Reception, SEN = 1) ..... | 331      | (INTOSC to HSPLL) .....                                       | 444 |
| I <sup>2</sup> C Slave Mode (10-Bit Transmission).....        | 327      | Transition for Wake from Idle to Run Mode.....                | 59  |
| I <sup>2</sup> C Slave Mode (7-Bit Reception, SEN = 0,        |          | Transition for Wake from Sleep (HSPLL) .....                  | 58  |
| ADMSK = 01011).....   | 323      | Transition from RC_RUN Mode to                                |     |
| I <sup>2</sup> C Slave Mode (7-Bit Reception, SEN = 0) .....  | 322      | PRI_RUN Mode.....   | 57  |
| I <sup>2</sup> C Slave Mode (7-Bit Reception, SEN = 1) .....  | 330      | Transition from SEC_RUN Mode to                               |     |
| I <sup>2</sup> C Slave Mode (7-Bit Transmission).....         | 324      | PRI_RUN Mode (HSPLL).....                                     | 55  |
| I <sup>2</sup> C Slave Mode General Call Address Sequence     |          | Transition to RC_RUN Mode.....                                | 57  |
| (7 or 10-Bit Addressing Mode).....                            | 332      | Type-A in 1/2 MUX, 1/2 Bias Drive.....                        | 288 |

# PIC18F87K90 FAMILY

---

|  |          |
|--|----------|
| Type-A in 1/2 MUX, 1/3 Bias Drive .....    | 290      |
| Type-A in 1/3 MUX, 1/2 Bias Drive .....    | 292      |
| Type-A in 1/3 MUX, 1/3 Bias Drive .....    | 294      |
| Type-A in 1/4 MUX, 1/3 Bias Drive .....    | 296      |
| Type-A/Type-B in Static Drive .....        | 287      |
| Type-B in 1/2 MUX, 1/2 Bias Drive .....    | 289      |
| Type-B in 1/2 MUX, 1/3 Bias Drive .....    | 291      |
| Type-B in 1/3 MUX, 1/2 Bias Drive .....    | 293      |
| Type-B in 1/3 MUX, 1/3 Bias Drive .....    | 295      |
| Type-B in 1/4 MUX, 1/3 Bias Drive .....    | 297      |
| Timing Diagrams and Specifications         |          |
| Reset, Watchdog Timer, Oscillator Start-up |          |
| Timer, Power-up Timer and Brown-out        |          |
| Reset Requirements .....                   | 529      |
| Top-of-Stack (TOS) Access .....            | 87       |
| TSTFSZ .....                               | 491      |
| Two-Speed Start-up .....                   | 425, 444 |
| IESO (CONFIG1H), Internal/External         |          |
| Oscillator Switchover Bit .....            | 428      |
| Two-Word Instructions                      |          |
| Example Cases .....                        | 91       |
| TXSTAx Register                            |          |
| BRGH Bit .....                             | 353      |

## U

|                                 |     |
|---------------------------------|-----|
| Ultra Low-Power                 |     |
| Regulator                       |     |
| In Sleep .....                  | 443 |
| Ultra Low-Power Wake-up         |     |
| Exit Delay (table) .....        | 67  |
| Ultra Low-Power Wake-up (ULPWU) |     |
| Overview .....                  | 66  |

## W

|                                  |                    |
|----------------------------------|--------------------|
| Watchdog Timer (WDT) .....       | 425, 440           |
| Associated Registers .....       | 441                |
| Control Register .....           | 441                |
| During Oscillator Failure .....  | 445                |
| Programming Considerations ..... | 440                |
| WCOL .....                       | 337, 338, 339, 342 |
| WCOL Status Flag .....           | 337, 338, 339, 342 |
| WWW Address .....                | 566                |

## X

|             |     |
|-------------|-----|
| XORLW ..... | 491 |
| XORWF ..... | 492 |

# PIC18F87K90 FAMILY

---

## THE MICROCHIP WEB SITE

Microchip provides online support via our WWW site at [www.microchip.com](http://www.microchip.com). This web site is used as a means to make files and information easily available to customers. Accessible by using your favorite Internet browser, the web site contains the following information:

- **Product Support** – Data sheets and errata, application notes and sample programs, design resources, user's guides and hardware support documents, latest software releases and archived software
- **General Technical Support** – Frequently Asked Questions (FAQ), technical support requests, online discussion groups, Microchip consultant program member listing
- **Business of Microchip** – Product selector and ordering guides, latest Microchip press releases, listing of seminars and events, listings of Microchip sales offices, distributors and factory representatives

## CUSTOMER CHANGE NOTIFICATION SERVICE

Microchip's customer notification service helps keep customers current on Microchip products. Subscribers will receive e-mail notification whenever there are changes, updates, revisions or errata related to a specified product family or development tool of interest.

To register, access the Microchip web site at [www.microchip.com](http://www.microchip.com). Under "Support", click on "Customer Change Notification" and follow the registration instructions.

## CUSTOMER SUPPORT

Users of Microchip products can receive assistance through several channels:

- Distributor or Representative
- Local Sales Office
- Field Application Engineer (FAE)
- Technical Support
- Development Systems Information Line

Customers should contact their distributor, representative or field application engineer (FAE) for support. Local sales offices are also available to help customers. A listing of sales offices and locations is included in the back of this document.

**Technical support is available through the web site at: <http://microchip.com/support>**

# PIC18F87K90 FAMILY

---

---

## READER RESPONSE

It is our intention to provide you with the best documentation possible to ensure successful use of your Microchip product. If you wish to provide your comments on organization, clarity, subject matter, and ways in which our documentation can better serve you, please FAX your comments to the Technical Publications Manager at (480) 792-4150.

Please list the following information, and use this outline to provide us with your comments about this document.

TO: Technical Publications Manager Total Pages Sent \_\_\_\_\_

RE: Reader Response

From: Name \_\_\_\_\_

Company \_\_\_\_\_

Address \_\_\_\_\_

City / State / ZIP / Country \_\_\_\_\_

Telephone: (\_\_\_\_\_) \_\_\_\_\_ - \_\_\_\_\_ FAX: (\_\_\_\_\_) \_\_\_\_\_ - \_\_\_\_\_

Application (optional):

Would you like a reply?  Y  N

Device: PIC18F87K90 Family

Literature Number: DS39957D

Questions:

1. What are the best features of this document?

\_\_\_\_\_  
\_\_\_\_\_

2. How does this document meet your hardware and software development needs?

\_\_\_\_\_  
\_\_\_\_\_

3. Do you find the organization of this document easy to follow? If not, why?

\_\_\_\_\_  
\_\_\_\_\_

4. What additions to the document do you think would enhance the structure and subject?

\_\_\_\_\_  
\_\_\_\_\_

5. What deletions from the document could be made without affecting the overall usefulness?

\_\_\_\_\_  
\_\_\_\_\_

6. Is there any incorrect or misleading information (what and where)?

\_\_\_\_\_  
\_\_\_\_\_

7. How would you improve this document?

\_\_\_\_\_  
\_\_\_\_\_



# PIC18F87K90 FAMILY

## PRODUCT IDENTIFICATION SYSTEM

To order or obtain information, e.g., on pricing or delivery, refer to the factory or the listed sales office.

| <u>PART NO.</u>         | <u>X</u>   | <u>/XX</u> | <u>XXX</u> |
|-------------------------|--|------------|------------|
| Device                  | Temperature Range  | Package    | Pattern    |
| Device <sup>(1,2)</sup> | PIC18F65K90, PIC18F65K90T<br>PIC18F66K90, PIC18F66K90T<br>PIC18F67K90, PIC18F67K90T<br>PIC18F85K90, PIC18F85K90T<br>PIC18F86K90, PIC18F86K90T<br>PIC18F87K90, PIC18F87K90T |            |            |
| Temperature Range       | I = -40°C to +85°C (Industrial)<br>E = -40°C to +125°C (Extended)  |            |            |
| Package                 | PT = TQFP (Plastic Thin Quad Flatpack)<br>MR = QFN (Plastic Quad Flat)   |            |            |
| Pattern                 | QTP, SQTP, Code or Special Requirements<br>(blank otherwise)   |            |            |

**Examples:**

- a) PIC18F87K90-I/PT 301 = Industrial temperature, TQFP package, QTP pattern #301.
- b) PIC18F87K90T-I/PT = Tape and reel, Industrial temperature, TQFP package.
- c) PIC18F87K22T-E/PT = Tape and reel, Extended temperature, TQFP package.

**Note 1:** F = Standard Voltage Range  
**2:** T = In tape and reel  
**3:** RSL = Silicon revision A3



# MICROCHIP

## Worldwide Sales and Service

### AMERICAS

**Corporate Office**  
2355 West Chandler Blvd.  
Chandler, AZ 85224-6199  
Tel: 480-792-7200  
Fax: 480-792-7277  
Technical Support:  
<http://www.microchip.com/support>  
Web Address:  
[www.microchip.com](http://www.microchip.com)

**Atlanta**  
Duluth, GA  
Tel: 678-957-9614  
Fax: 678-957-1455

**Boston**  
Westborough, MA  
Tel: 774-760-0087  
Fax: 774-760-0088

**Chicago**  
Itasca, IL  
Tel: 630-285-0071  
Fax: 630-285-0075

**Cleveland**  
Independence, OH  
Tel: 216-447-0464  
Fax: 216-447-0643

**Dallas**  
Addison, TX  
Tel: 972-818-7423  
Fax: 972-818-2924

**Detroit**  
Farmington Hills, MI  
Tel: 248-538-2250  
Fax: 248-538-2260

**Indianapolis**  
Noblesville, IN  
Tel: 317-773-8323  
Fax: 317-773-5453

**Los Angeles**  
Mission Viejo, CA  
Tel: 949-462-9523  
Fax: 949-462-9608

**Santa Clara**  
Santa Clara, CA  
Tel: 408-961-6444  
Fax: 408-961-6445

**Toronto**  
Mississauga, Ontario,  
Canada  
Tel: 905-673-0699  
Fax: 905-673-6509

### ASIA/PACIFIC

**Asia Pacific Office**  
Suites 3707-14, 37th Floor  
Tower 6, The Gateway  
Harbour City, Kowloon  
Hong Kong  
Tel: 852-2401-1200  
Fax: 852-2401-3431

**Australia - Sydney**  
Tel: 61-2-9868-6733  
Fax: 61-2-9868-6755

**China - Beijing**  
Tel: 86-10-8569-7000  
Fax: 86-10-8528-2104

**China - Chengdu**  
Tel: 86-28-8665-5511  
Fax: 86-28-8665-7889

**China - Chongqing**  
Tel: 86-23-8980-9588  
Fax: 86-23-8980-9500

**China - Hangzhou**  
Tel: 86-571-2819-3180  
Fax: 86-571-2819-3189

**China - Hong Kong SAR**  
Tel: 852-2401-1200  
Fax: 852-2401-3431

**China - Nanjing**  
Tel: 86-25-8473-2460  
Fax: 86-25-8473-2470

**China - Qingdao**  
Tel: 86-532-8502-7355  
Fax: 86-532-8502-7205

**China - Shanghai**  
Tel: 86-21-5407-5533  
Fax: 86-21-5407-5066

**China - Shenyang**  
Tel: 86-24-2334-2829  
Fax: 86-24-2334-2393

**China - Shenzhen**  
Tel: 86-755-8203-2660  
Fax: 86-755-8203-1760

**China - Wuhan**  
Tel: 86-27-5980-5300  
Fax: 86-27-5980-5118

**China - Xian**  
Tel: 86-29-8833-7252  
Fax: 86-29-8833-7256

**China - Xiamen**  
Tel: 86-592-2388138  
Fax: 86-592-2388130

**China - Zhuhai**  
Tel: 86-756-3210040  
Fax: 86-756-3210049

### ASIA/PACIFIC

**India - Bangalore**  
Tel: 91-80-3090-4444  
Fax: 91-80-3090-4123

**India - New Delhi**  
Tel: 91-11-4160-8631  
Fax: 91-11-4160-8632

**India - Pune**  
Tel: 91-20-2566-1512  
Fax: 91-20-2566-1513

**Japan - Yokohama**  
Tel: 81-45-471- 6166  
Fax: 81-45-471-6122

**Korea - Daegu**  
Tel: 82-53-744-4301  
Fax: 82-53-744-4302

**Korea - Seoul**  
Tel: 82-2-554-7200  
Fax: 82-2-558-5932 or  
82-2-558-5934

**Malaysia - Kuala Lumpur**  
Tel: 60-3-6201-9857  
Fax: 60-3-6201-9859

**Malaysia - Penang**  
Tel: 60-4-227-8870  
Fax: 60-4-227-4068

**Philippines - Manila**  
Tel: 63-2-634-9065  
Fax: 63-2-634-9069

**Singapore**  
Tel: 65-6334-8870  
Fax: 65-6334-8850

**Taiwan - Hsin Chu**  
Tel: 886-3-6578-300  
Fax: 886-3-6578-370

**Taiwan - Kaohsiung**  
Tel: 886-7-213-7830  
Fax: 886-7-330-9305

**Taiwan - Taipei**  
Tel: 886-2-2500-6610  
Fax: 886-2-2508-0102

**Thailand - Bangkok**  
Tel: 66-2-694-1351  
Fax: 66-2-694-1350

### EUROPE

**Austria - Wels**  
Tel: 43-7242-2244-39  
Fax: 43-7242-2244-393

**Denmark - Copenhagen**  
Tel: 45-4450-2828  
Fax: 45-4485-2829

**France - Paris**  
Tel: 33-1-69-53-63-20  
Fax: 33-1-69-30-90-79

**Germany - Munich**  
Tel: 49-89-627-144-0  
Fax: 49-89-627-144-44

**Italy - Milan**  
Tel: 39-0331-742611  
Fax: 39-0331-466781

**Netherlands - Drunen**  
Tel: 31-416-690399  
Fax: 31-416-690340

**Spain - Madrid**  
Tel: 34-91-708-08-90  
Fax: 34-91-708-08-91

**UK - Wokingham**  
Tel: 44-118-921-5869  
Fax: 44-118-921-5820

05/02/11