

1.ELECTRICAL SPECIFICATIONS @25°C

1.1 OCL: 350 uH Min @ 100 KHz, 0.1V with 8mA DC Bias

1.2 Leakage Inductance: 0.5uH Max @ 100KHz, 0.2V

1.3 DCR: 1.5Ω Max

1.4 Turns Ratio: 1CT:1CT

1.5 Insertion Loss: -1.1 dB Max. @ 0.3-100 MHz

1.6 Return Loss: -18 dB Min. @ 1-30 MHz

-14 dB Min. @ 30-60 MHz

-12 dB Min. @ 60-80 MHz

-10 dB Min.@ 80-100 MHz


1.7 Cross Talk: -30 dB Min@ 1-100 MHz

1.8 Common Mode Rejection : -30 dB Min@ 1-100 MHz

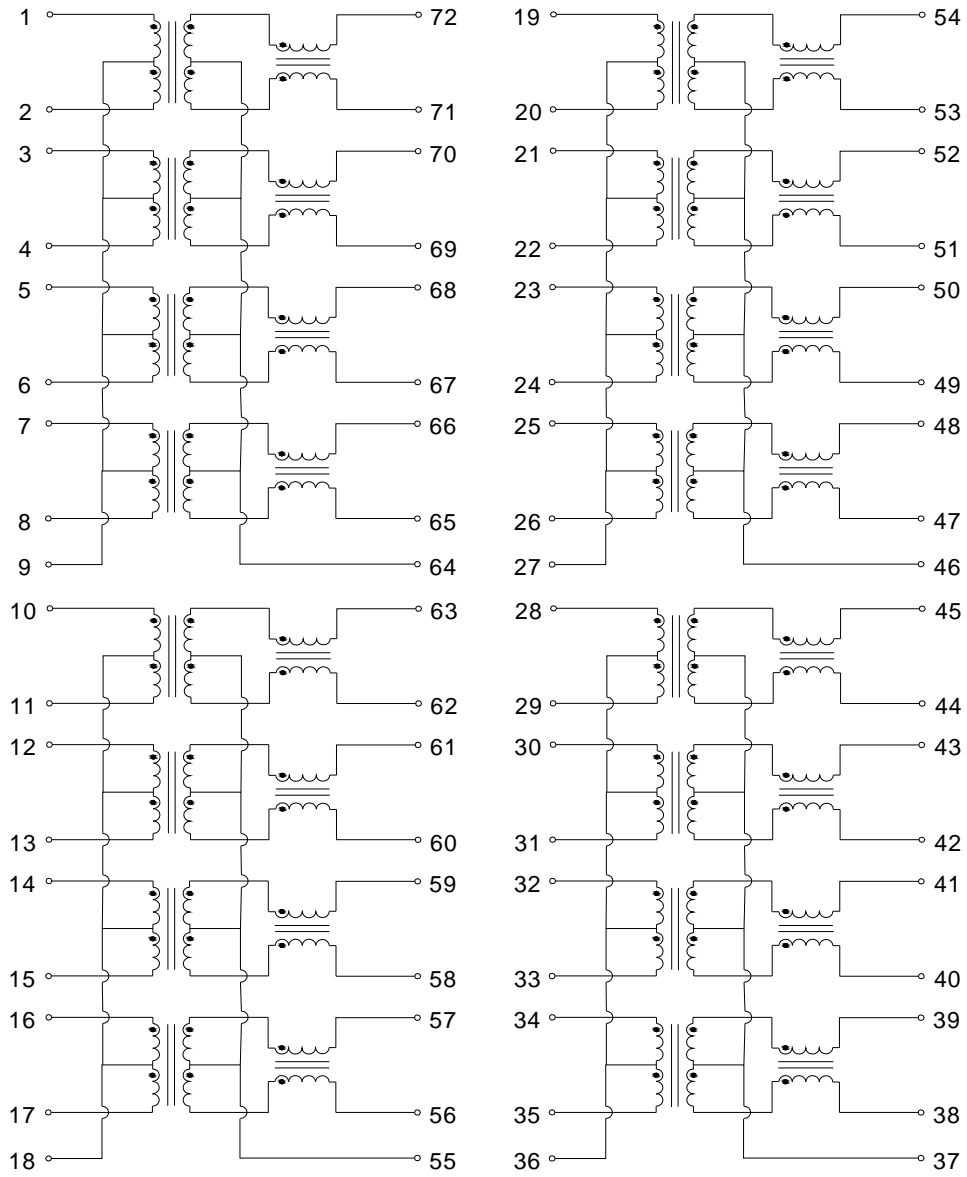
1.9 Isolation HI-POT: 1500Vrms 2mA 60Second

1.10 Operating temperature 0°C to +70°C

1.11 Storage temperature -40°C to +85°C

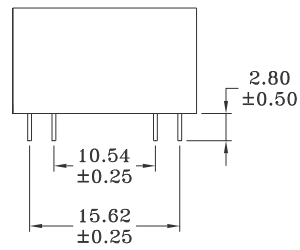
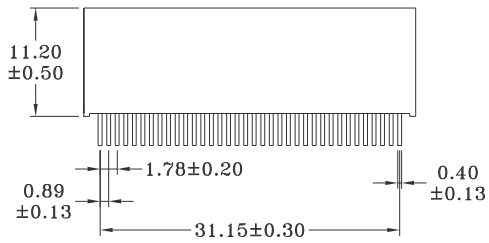
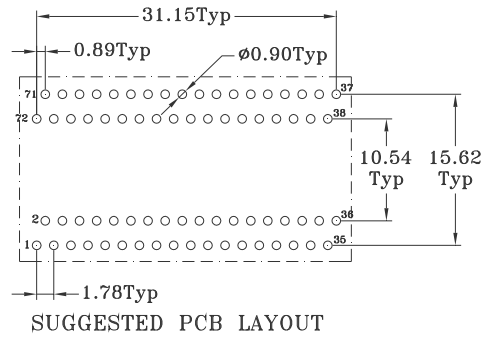
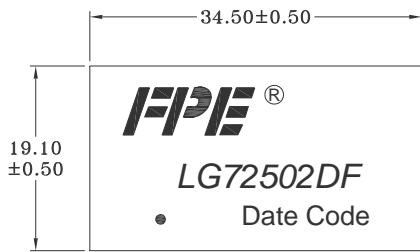
DRAWN BY:	CHECKED BY:	APPROVED BY:	TITLE: 100/1000 BASE-T
			PART NO:LG72502DF
	GuangDong Misun Technology Co., Ltd		REV.: B
			PAGE: 1 / 3

2. SCHEMATICS:



Drawn by	Checked by	Approved by	TITLE: 100/1000 BASE-T
			PART NO: :LG72502DF
FPE ®	GuangDong Misun Technology Co., Ltd		REV: B
			PAGE: 2 / 3

3.DIMENSIONS & MARKING:



Drawn by	Checked by	Approved by	TITLE: 100/1000 BASE-T
			PART NO: :LG72502DF
FPIE ®	GuangDong Misun Technology Co., Ltd		REV: B
			PAGE: 3 / 3