

◆CHIP TYPE PART NUMBER

□□□		□□□□		□□□□□		□	□□□	D×L
Rated Voltage		Series		Capacitance		Capacitance Tolerance	Option ※1	Case Size
↑		↑		↑		↑	↑	↑
Rated Voltage(Vdc)	Code	Cap.(μF)	Code	Tolerance	Code			
6.3	6.3	4.7	4R7	±20%	M			4×6.1
10	10	220	220					8×10.5
25	25	3300	3300					16×21.5
100	100							
Please indicate the above information, when ordering.								
Example								
35	TZV	330		M				10×10.5

※1 Option : Standard item is blank.

◆RADIAL LEAD TYPE PART NUMBER

□□□		□□□□		□□□□□		□	□□□	□□	D×L
Rated Voltage		Series		Capacitance		Capacitance Tolerance	Option ※2	Lead Forming ※3	Case Size
↑		↑		↑		↑	↑	↑	↑
Rated Voltage(Vdc)	Code	Cap.(μF)	Code	Tolerance	Code	Option	Lead Forming	Case Size	
6.3	6.3	0.1	OR1	±20%	M	EFC etc	TA, KC, CA etc	5×11	
10	10	0.47	OR47					10×12.5	
25	25	1	1					12.5×40	
100	100	10	10						
		1000	1000						
Please indicate the above information, when ordering.									
Example									
*Long lead type		50	PX	2R2	M	EFC		5×11	
*Taping type		35	ZLJ	220	M		TA	8×16	

※2 Option : Please confirm each series page.

※3 Lead Forming : Please refer to TAPING SPECIFICATIONS and LEAD CUTTING FORMING SPECIFICATIONS. (P46~48)

PACKAGING SPECIFICATION
◆RADIAL LEAD TYPE

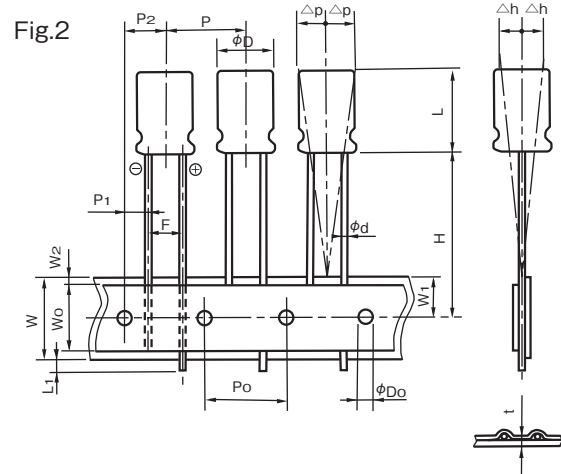
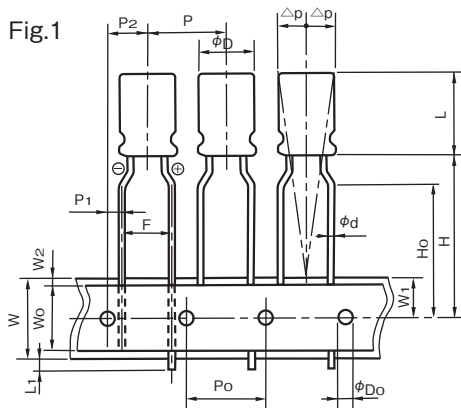
Q'ty (pcs)

SIZE (mm)	LONG LEAD		LEAD FORMING		TAPING	
	BULK PACKAGE	ALIGNED PACKAGE	BULK PACKAGE	ALIGNED PACKAGE		
φ4	4×5	5,000	—	5,000	—	2,000
	4×7	5,000	—	5,000	—	2,000
φ5	5×5	5,000	—	5,000	—	2,000
	5×7	5,000	—	5,000	—	2,000
	5×11	3,000	—	5,000	—	2,000
φ6.3	6.3×5	3,000	—	5,000	—	2,000
	6.3×7	3,000	—	5,000	—	2,000
	6.3×11	2,000	—	3,000	—	2,000
	6.3×14	2,000	—	3,000	—	2,000
	6.3×25	1,000	—	1,000	—	—
	6.3×30	1,000	—	1,000	—	—
	6.3×40	1,000	—	1,000	—	—
φ8	8×5	3,000	—	5,000	—	1,000
	8×7	3,000	—	5,000	—	1,000
	8×7.5	2,000	—	2,000	—	1,000
	8×9	2,000	—	2,000	—	1,000
	8×10.8	2,000	—	2,000	—	1,000
	8×11.5	2,000	—	2,000	—	1,000
	8×16	1,000	—	1,000	—	1,000
	8×20	1,000	—	1,000	—	1,000
	8×23	1,000	—	1,000	—	1,000
	8×25	—	500	—	500	—
	8×30	—	500	—	500	—
	8×35	—	500	—	500	—
	8×40	—	500	—	500	—
	8×45	—	500	—	500	—
	8×50	—	500	—	500	—
φ10	10×9	1,000	—	1,000	—	500
	10×10	1,000	—	1,000	—	500
	10×12.5	1,000	—	1,000	—	500
	10×16	1,000	—	1,000	—	500
	10×20	1,000	—	1,000	—	500
	10×23	1,000	—	1,000	—	500
	10×25	1,000	500	1,000	500	500
	10×28	1,000	500	1,000	500	500
	10×30	—	500	—	500	—
	10×35	—	500	—	500	—
	10×40	—	500	—	500	—
	10×45	—	500	—	500	—
	10×50	—	500	—	500	—
	10×55	—	500	—	500	—
	10×60	—	500	—	500	—

SIZE (mm)	LONG LEAD		LEAD FORMING		TAPING	
	BULK PACKAGE	ALIGNED PACKAGE	BULK PACKAGE	ALIGNED PACKAGE		
φ12.5	12.5×16	1,000	—	1,000	500	500
	12.5×20	1,000	500	1,000	500	500
	12.5×25	1,000	500	1,000	500	500
	12.5×30	600	500	600	500	500
	12.5×35	600	500	600	500	500
	12.5×40	600	500	600	500	500
	12.5×45	—	500	—	500	—
	12.5×50	—	500	—	500	—
	12.5×55	—	500	—	500	—
	12.5×60	—	500	—	500	—
φ14.5	14.5×20	—	500	—	500	—
	14.5×25	—	500	—	500	—
	14.5×30	—	500	—	500	—
	14.5×31.5	—	500	—	500	—
	14.5×35	—	500	—	500	—
	14.5×40	—	500	—	500	—
	14.5×45	—	500	—	500	—
φ16	16×16	600	—	600	400	250
	16×20	600	200	600	400	250
	16×25	600	200	600	400	250
	16×30	—	200	—	200	250
	16×31.5	—	200	—	200	250
	16×35	—	200	—	200	250
	16×35.5	—	200	—	200	250
	16×40	—	200	—	200	250
	16×45	—	200	—	200	—
	16×50	—	200	—	200	—
φ18	18×16	500	—	—	200	250
	18×20	500	200	—	200	250
	18×25	500	200	—	200	250
	18×30	—	200	—	200	250
	18×31.5	—	200	—	200	250
	18×35	—	200	—	200	250
	18×35.5	—	200	—	200	250
	18×40	—	200	—	200	250
	18×45	—	200	—	200	—
18×50	—	200	—	200	—	

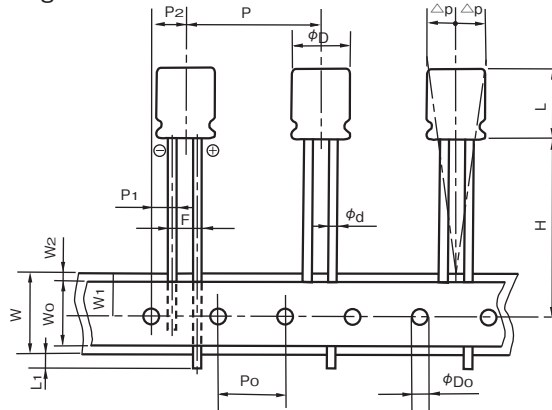
•There are some differences between actual package quantity and above list.

•For the sizes stated both bulk and aligned package, aligned package is standard for exporting carton.

◆ TAPING SPECIFICATIONS
◆ DIMENSIONS

◆ SPECIFICATION TABLE

(mm)

Items	Code	5mm Height		7mm or 7.5mm Height				Tolerance
		φ4~φ8		φ4~φ6.3	φ4~φ6.3	φ8		
Taping code		T5	TZ	T5	TZ	TA	T7	
Applicable Fig. No.		Fig.2	Fig.1	Fig.2	Fig.1	Fig.1	Fig.2	
Dia. of lead	φd	0.45		0.45				±0.05
Height of body	L	6.5		8.5				MAX
Distance from center to center of next body	P	12.7		12.7				±1.0
Distance from center to center of next driving hole	P ₀	12.7		12.7				±0.2
Distance between center of driving hole and lead	P ₁	5.1	3.85	5.1	3.85	4.6	±0.5	
Distance between center of driving hole and body	P ₂	6.35		6.35				±1.0
Pitch of lead (at the upper edge of the carrier tape)	F	2.5	5.0	2.5	5.0	3.5	+0.8 -0.2	
Width of mounting tape	W	18.0		18.0				±0.3
Width of adhesive tape	W ₀	5.0		5.0				MIN
Distance between center of driving hole and mounting tape edge	W ₁	9.0		9.0				±0.5
Max. allowable distance between mounting and adhesive tape edges	W ₂	1.5		1.5				MAX
Distance between center of driving hole and bottom of body	H	17.5		17.5		20.0		±0.75
Distance between center of driving hole and clinch part of lead	H ₀	—	16.0	—	16.0		—	±0.5
End of lead	L ₁	0.5		0.5				MAX
Dia. of driving hole	φD ₀	4.0		4.0				±0.2
Off alignment of body top	Δh	1.0		1.0				MAX
Off alignment of body top	Δp	1.0		1.0				MAX
Sum of thickness for mounting and adhesive tape without lead dia	t	0.6		0.6				±0.3
Quantity (pcs)		2000 (φ8:1000)						

Fig.3

◆ SPECIFICATION TABLE

(mm)

Items	Code	9mm or more Height						※ Tolerance	
		φ5, φ6.3		φ8	φ10	φ12.5	φ16		φ18
Taping code		T1	TA	TA	T7	T8	G4	GC	
Applicable Fig. No.		Fig.2	Fig.1	Fig.1	Fig.2	Fig.2	Fig.2	Fig.3	
Dia. of lead	φd	0.5		0.6			0.8		±0.05
Height of body	L	13.0		22.0		30.0	42.0		MAX
Distance from center to center of next body	P	12.7				15.0	30.0		±1.0
Distance from center to center of next driving hole	P ₀	12.7				15.0	15.0±0.3		±0.2
Distance between center of driving hole and lead	P ₁	5.1	3.85	4.6	3.85	5.0	3.75		±0.5
Distance between center of driving hole and body	P ₂	6.35				7.5			±1.0
Pitch of lead (at the upper edge of the carrier tape)	F	2.5	5.0	3.5	5.0±0.8		7.5±0.8		+0.8 -0.2
Width of mounting tape	W	18.0						±0.3	
Width of adhesive tape	W ₀	5.0						MIN	
Distance between center of driving hole and mounting tape edge	W ₁	9.0						±0.5	
Max. allowable distance between mounting and adhesive tape edges	W ₂	1.5						MAX	
Distance between center of driving hole and bottom of body	H	18.5		20.0		18.5 ^{+0.75} _{-0.5}			±0.75
Distance between center of driving hole and clinch part of lead	H ₀	—	16.0		—	—			±0.5
End of lead	L ₁	0.5						MAX	
Dia. of driving hole	φD ₀	4.0						±0.2	
Off alignment of body top	△h	1.0						MAX	
Off alignment of body top	△p	1.0						MAX	
Sum of thickness for mounting and adhesive tape without lead dia	t	0.6						±0.3	
Quantity (pcs)		2000		1000		500	250		

※For the case that tolerance is specified individually, the value shall have the priority.

◆ LEAD CUTTING FORMING SPECIFICATIONS

Rubycon provides lead-formed and lead-cut products to facilitate mounting on printed circuit boards, as well as products with leads specially processed (kink formed) for self supporting insertions to printed circuit boards.

<p>•Lead forming</p> <p>($\phi 5 \sim \phi 8$)</p> <p>Lead forming code : FA</p>		<p>(mm)</p> <table border="1"> <thead> <tr> <th>ϕD</th> <th>5</th> <th>6.3</th> <th>8</th> </tr> </thead> <tbody> <tr> <td>ϕd</td> <td colspan="2">0.5</td> <td>0.6</td> </tr> <tr> <td>F</td> <td colspan="3">5.0</td> </tr> </tbody> </table>	ϕD	5	6.3	8	ϕd	0.5		0.6	F	5.0																																																													
ϕD	5	6.3	8																																																																						
ϕd	0.5		0.6																																																																						
F	5.0																																																																								
<p>•Lead cutting</p> <p>($\phi 5 \sim \phi 18$)</p> <p>Lead cutting code : CA CC CE</p>		<p>(mm)</p> <table border="1"> <thead> <tr> <th>ϕD</th> <th>5</th> <th>6.3</th> <th>8</th> <th>10</th> <th>12.5</th> <th>14.5</th> <th>16</th> <th>18</th> </tr> </thead> <tbody> <tr> <td>H</td> <td colspan="8">5.0 (CA) 4.0 (CC) 3.5 (CE)</td> </tr> <tr> <td>ϕd</td> <td colspan="2">0.5</td> <td colspan="2">0.6</td> <td colspan="3">0.8</td> </tr> <tr> <td>F</td> <td>2.0</td> <td>2.5</td> <td>3.5</td> <td colspan="2">5.0</td> <td colspan="2">7.5</td> </tr> </tbody> </table>	ϕD	5	6.3	8	10	12.5	14.5	16	18	H	5.0 (CA) 4.0 (CC) 3.5 (CE)								ϕd	0.5		0.6		0.8			F	2.0	2.5	3.5	5.0		7.5																																						
ϕD	5	6.3	8	10	12.5	14.5	16	18																																																																	
H	5.0 (CA) 4.0 (CC) 3.5 (CE)																																																																								
ϕd	0.5		0.6		0.8																																																																				
F	2.0	2.5	3.5	5.0		7.5																																																																			
<p>•Kinked lead forming</p> <p>($\phi 5 \sim \phi 8$)</p> <p>Kinked lead forming code : KC</p>		<p>(mm)</p> <table border="1"> <thead> <tr> <th>ϕD</th> <th>5</th> <th>6.3</th> <th>8</th> <th>10</th> <th>12.5</th> <th>14.5</th> <th>16</th> <th>18</th> </tr> </thead> <tbody> <tr> <td>H1</td> <td colspan="8">4.5</td> </tr> <tr> <td>H2</td> <td colspan="8">2.8</td> </tr> <tr> <td>H3</td> <td colspan="2">2.5</td> <td colspan="6">—</td> </tr> <tr> <td>F</td> <td colspan="4">5.0</td> <td colspan="4">7.5</td> </tr> <tr> <td>P</td> <td colspan="8">1.0</td> </tr> <tr> <td>E</td> <td colspan="3">1.2</td> <td colspan="5">1.3</td> </tr> <tr> <td>ϕd</td> <td colspan="2">0.5</td> <td colspan="2">0.6</td> <td colspan="3">0.8</td> </tr> </tbody> </table>	ϕD	5	6.3	8	10	12.5	14.5	16	18	H1	4.5								H2	2.8								H3	2.5		—						F	5.0				7.5				P	1.0								E	1.2			1.3					ϕd	0.5		0.6		0.8		
ϕD	5	6.3	8	10	12.5	14.5	16	18																																																																	
H1	4.5																																																																								
H2	2.8																																																																								
H3	2.5		—																																																																						
F	5.0				7.5																																																																				
P	1.0																																																																								
E	1.2			1.3																																																																					
ϕd	0.5		0.6		0.8																																																																				
<p>•Kinked lead cutting</p> <p>($\phi 10 \sim \phi 18$)</p> <p>Kinked lead cutting code : KC</p>		<p>(mm)</p> <table border="1"> <thead> <tr> <th>ϕD</th> <th>5</th> <th>6.3</th> <th>8</th> <th>10</th> <th>12.5</th> <th>14.5</th> <th>16</th> <th>18</th> </tr> </thead> <tbody> <tr> <td>H1</td> <td colspan="8">4.5</td> </tr> <tr> <td>H2</td> <td colspan="8">2.8</td> </tr> <tr> <td>H3</td> <td colspan="2">2.5</td> <td colspan="6">—</td> </tr> <tr> <td>F</td> <td colspan="4">5.0</td> <td colspan="4">7.5</td> </tr> <tr> <td>P</td> <td colspan="8">1.0</td> </tr> <tr> <td>E</td> <td colspan="3">1.2</td> <td colspan="5">1.3</td> </tr> <tr> <td>ϕd</td> <td colspan="2">0.5</td> <td colspan="2">0.6</td> <td colspan="3">0.8</td> </tr> </tbody> </table>	ϕD	5	6.3	8	10	12.5	14.5	16	18	H1	4.5								H2	2.8								H3	2.5		—						F	5.0				7.5				P	1.0								E	1.2			1.3					ϕd	0.5		0.6		0.8		
ϕD	5	6.3	8	10	12.5	14.5	16	18																																																																	
H1	4.5																																																																								
H2	2.8																																																																								
H3	2.5		—																																																																						
F	5.0				7.5																																																																				
P	1.0																																																																								
E	1.2			1.3																																																																					
ϕd	0.5		0.6		0.8																																																																				
<p>•Low profile with horizontal mounting ($\phi 10 \sim \phi 18$)</p>		<p>(mm)</p> <table border="1"> <thead> <tr> <th>ϕD</th> <th colspan="4">10, 12.5</th> <th colspan="4">14.5, 16, 18</th> </tr> </thead> <tbody> <tr> <td>Code</td> <td>RI</td> <td>RK</td> <td>RX</td> <td>SG</td> <td>RI</td> <td>RK</td> <td>RX</td> <td>SG</td> </tr> <tr> <td>ϕd</td> <td colspan="4">0.6</td> <td colspan="4">0.8</td> </tr> <tr> <td>F</td> <td colspan="4">5.0</td> <td colspan="4">7.5</td> </tr> <tr> <td>H</td> <td colspan="2">4.0</td> <td colspan="2">3.5</td> <td colspan="2">4.0</td> <td colspan="2">3.5</td> </tr> <tr> <td>Type</td> <td>A</td> <td>B</td> <td>A</td> <td>B</td> <td>A</td> <td>B</td> <td>A</td> <td>B</td> </tr> </tbody> </table>	ϕD	10, 12.5				14.5, 16, 18				Code	RI	RK	RX	SG	RI	RK	RX	SG	ϕd	0.6				0.8				F	5.0				7.5				H	4.0		3.5		4.0		3.5		Type	A	B	A	B	A	B	A	B																	
ϕD	10, 12.5				14.5, 16, 18																																																																				
Code	RI	RK	RX	SG	RI	RK	RX	SG																																																																	
ϕd	0.6				0.8																																																																				
F	5.0				7.5																																																																				
H	4.0		3.5		4.0		3.5																																																																		
Type	A	B	A	B	A	B	A	B																																																																	