

## ■ Features

- High energy storage capacity and low DCR.
- Ferrite bobbin core and low profile,small size.
- High heat resistance,ideal for re-flow solding.
- High reliability.
- Operating temperature:-40℃ ~ +125℃.

## ■ Applications

- Portable communication equipment.
- Notebook PC,digital camera,LCD television set.
- Power supply for VTR,OA equipment.
- DC/DC converters.

## ■ Product Identification

<u>YPO</u>	<u>□□□□</u> —	<u>□□□</u>	<u>□</u>
(1)	(2)	(3)	(4)

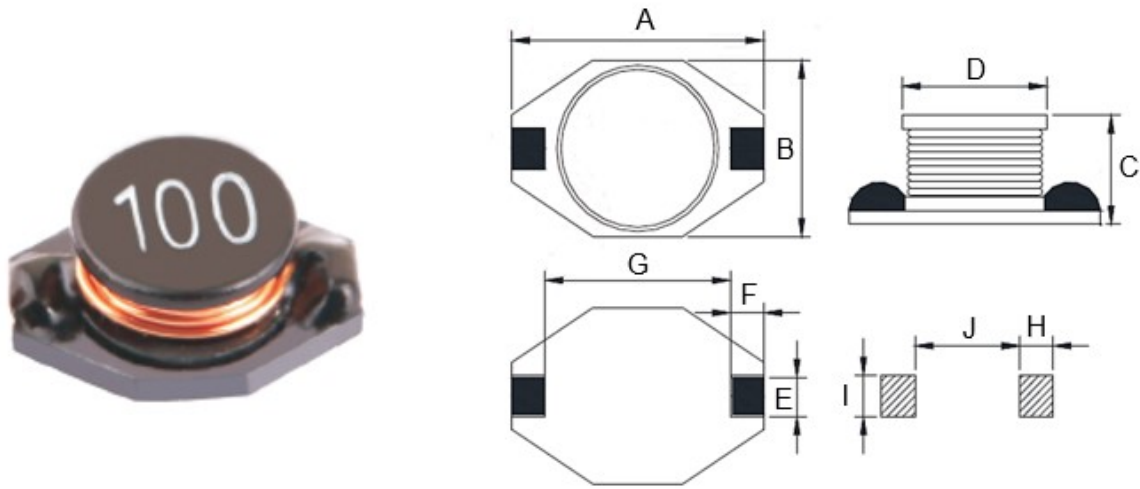
(1) : Type

(2) : Dimensions

(3) : Inductance value

(4) : Inductance Tolerance; N=±30%,M=±20%, K=±10%

**Shapes and Dimensions (Unit: mm)**



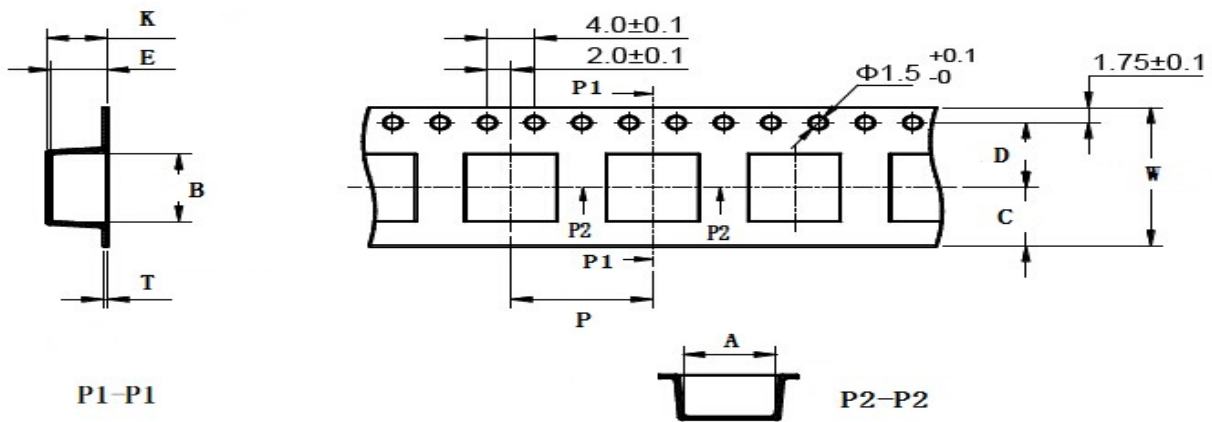
TYPE	A Max.	B Max.	C Max.	D Max.	E Ref.	F Ref.	G Ref.	H Ref.	I Ref.	J Ref.
YPO3340	12.95	9.40	11.43	8.38	2.54	2.54	7.62	2.90	3.00	7.30

**YPO3340 Series**

Part Number	Inductance (uH)	Test Freq. (KHz)	DCR MAX. (Ω)	Saturation Current (A)	Heat Rating Current (A)
YPO3340-100□	10	100	0.040	8.00	3.50
YPO3340-150□	15	100	0.050	7.00	3.00
YPO3340-220□	22	100	0.066	5.50	2.50
YPO3340-330□	33	100	0.080	4.00	2.00
YPO3340-470□	47	100	0.110	3.80	1.60
YPO3340-680□	68	100	0.170	3.00	1.20
YPO3340-101□	100	100	0.220	2.50	1.00
YPO3340-151□	150	100	0.340	2.00	0.90
YPO3340-221□	220	100	0.440	1.60	0.70
YPO3340-331□	330	100	0.700	1.20	0.60
YPO3340-471□	470	100	0.950	1.10	0.30
YPO3340-681□	680	100	1.200	1.00	0.20
YPO3340-102□	1000	100	2.000	0.80	0.10

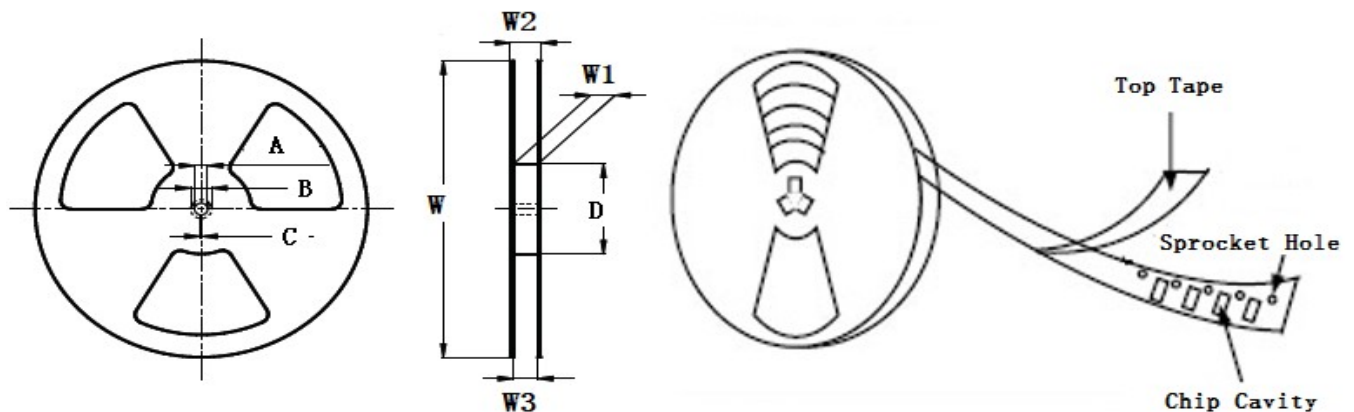
- ※ The saturation current value is the DC current value having inductance decrease down to 30%.(at 20°C)
- ※ The temperature rise current value is the DC current value having temperature increase up to 40°C. (at 20°C)
- ※ The rated current is the DC current value that satisfies both of current value saturation current value and temperature rise current value.

**■ Taping Dimensions(Unit:mm)**



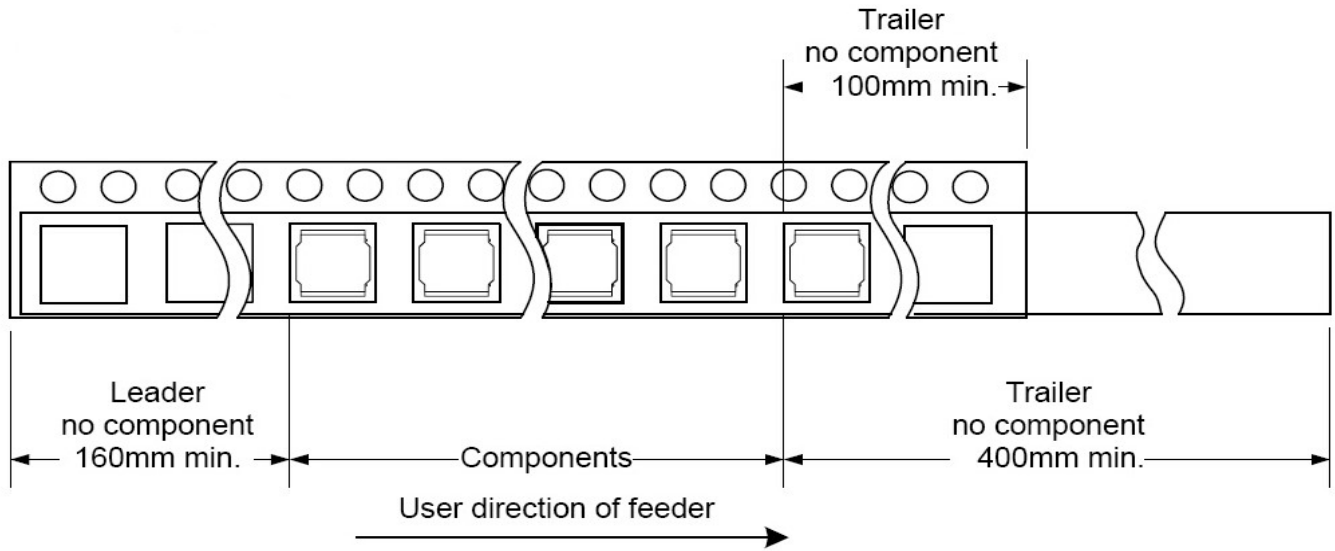
TYPE	W	A	B	C	D	E	P	K Ref	T	MPQ
YPO3340	24±0.3	9.4±0.1	13.00±0.1	10.75	11.5±0.1	11.5±0.1	16±0.1	11.70	0.40±0.05	250

**■ Reel Dimensions(Unit:mm)**

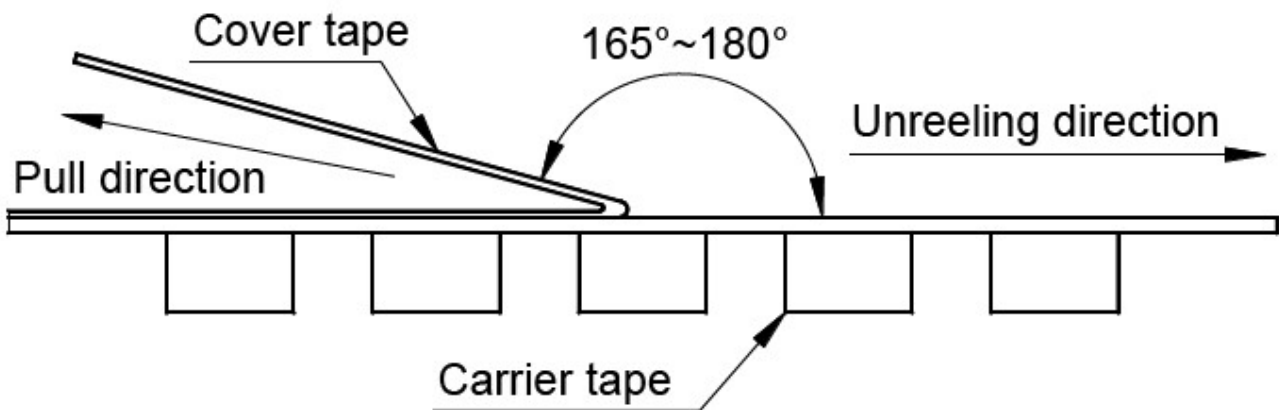


TYPE	W	W1	W2	W3	A	B	C	D
YPO3340	330±2.0	24.4±1.50	30.4MAX	23.9 Min	13.0±0.50	21.0±0.80	2.0±0.50	100 Min

**Direction of rolling**



**Cover tape peel off condition**



Cover tape peel force shall be 0.1N to 1.3N.

Reference peel speed 300±10mm/min.