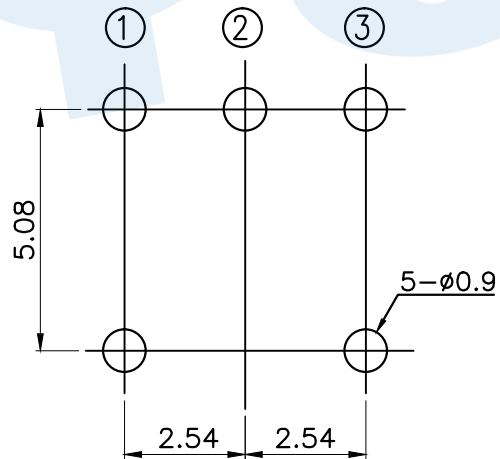
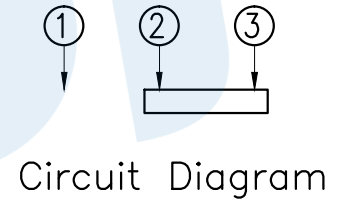
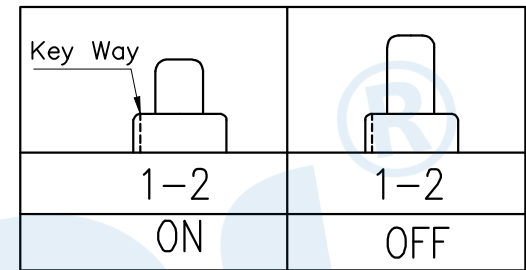
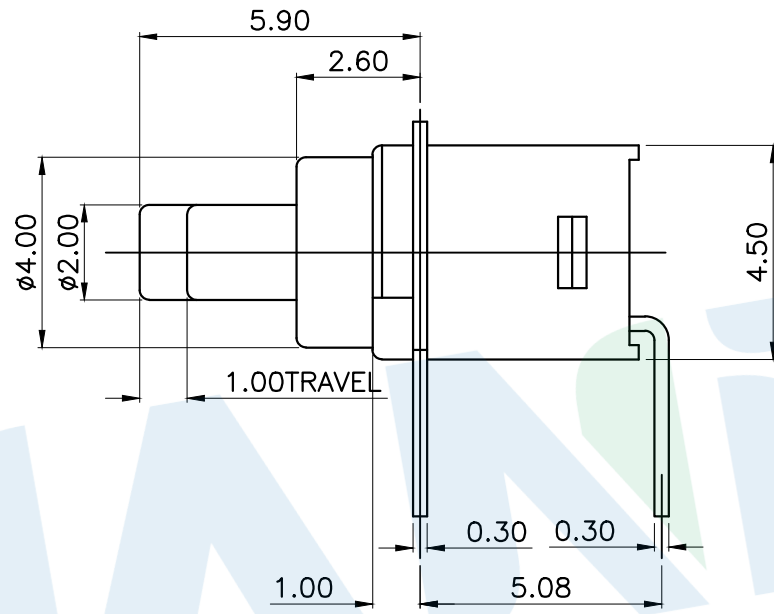
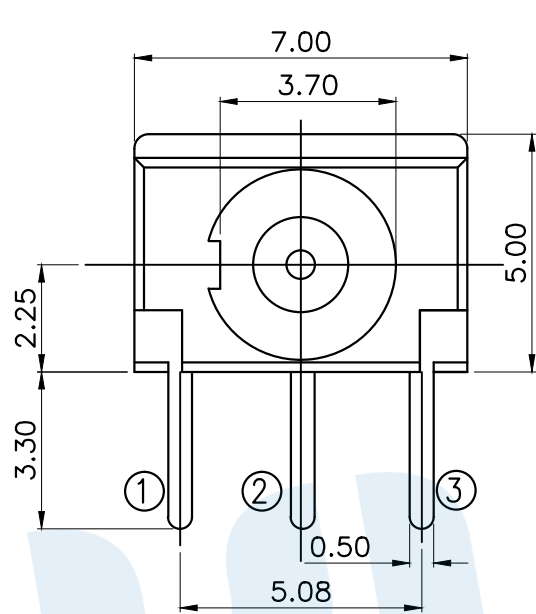
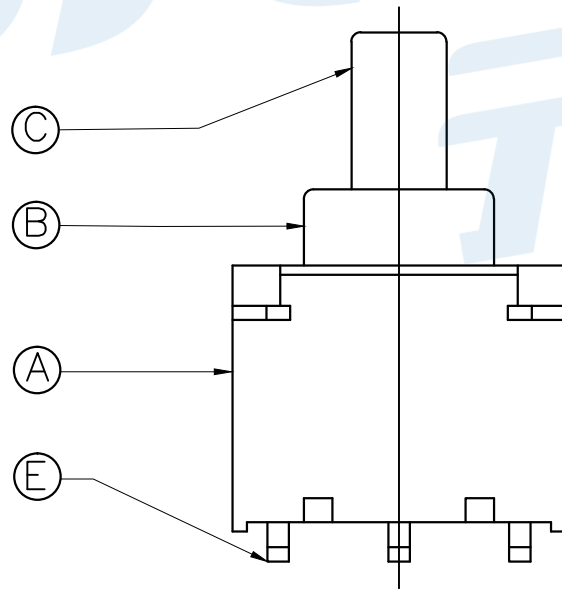


RoHS



PCB Layout(Pattern side)



Technical Parameters

- 1. Rated current: DC 30V 0.1A
- 2. Operating force: 51 ± 10 gf
- 3. Mechanical life: 100,000 times

NO.	Name	Number	Qty	Materil	Remarks
Ⓕ	Spring		1	SUS	Natural
Ⓖ	Terminal		3	Phosphor bronze	Nu plating
Ⓓ	Contact Reed		1	Phosphor bronze	Ag plating
Ⓒ	Button		1	Nylon	White
Ⓑ	Cover		1	Nylon	Black
Ⓐ	Base		1	Nylon	Black

YUANDI® Yuandi Electronics Co, Ltd

design	date	name	DETECTION SWITCH
Review	date	model	TQ-2538
Approved	date		

Drawing number: Proportion 1:1 unit mm gage number A4

modify Review Approved Tolerance not specified

angle	$\pm 2'$
10~30	± 0.30
5~10	± 0.20
~ 5	± 0.10