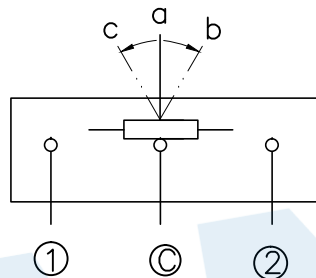
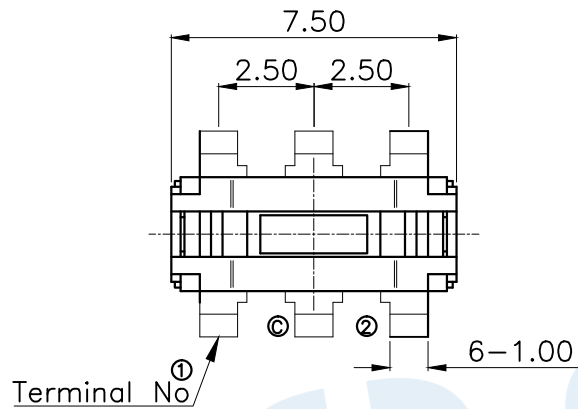
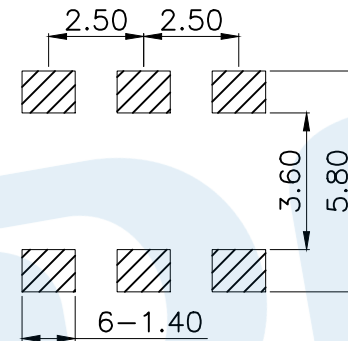


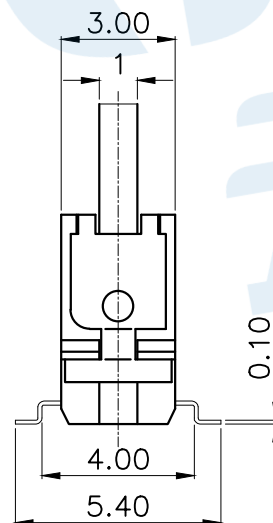
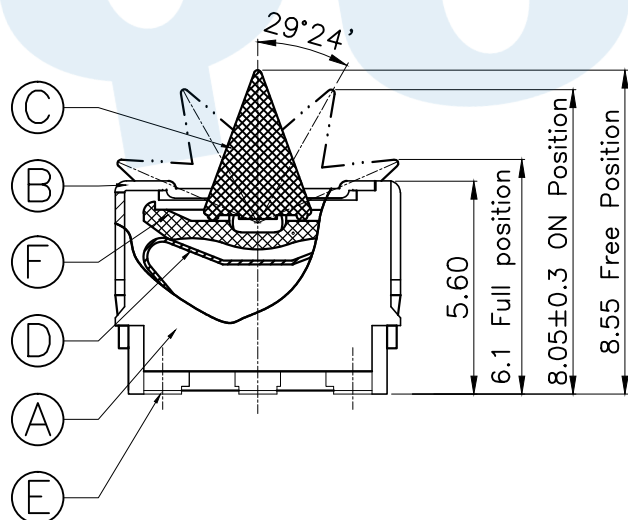
RoHS



Circuit Diagram



PCB Layout(Pattern side)



Technical Parameters

- 1.Rated current: DC 5V 10mA
- 2.Operating force:25±10gf
- 3.Mechanical life: 100,000 times

| NO. | Name | Number | Qty | Materil | Remarks |
|-----|--------------|--------|-----|-----------------|-----------|
| F | Frisket | | 1 | PA46 | Black |
| E | Terminal | | 6 | Phosphor bronze | Silvering |
| D | Contact Reed | | 1 | Be alloy | Silvering |
| C | Button | | 1 | PA46 | Black |
| B | Cover | | 1 | SUS | Natural |
| A | Base | | 1 | PA46 | Black |

YUANDI® Yuandi Electronics Co.,Ltd

| | | | |
|----------|------|-------|------------------|
| design | date | name | DETECTION SWITCH |
| Review | date | model | TQ-2519B |
| Approved | date | | |

Drawing number: Proportion 1:1 unit mm gage number A4

modify Review Approved Tolerance not specified