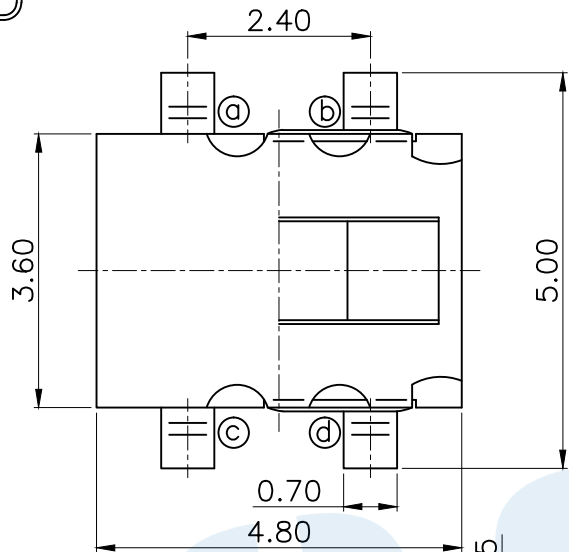
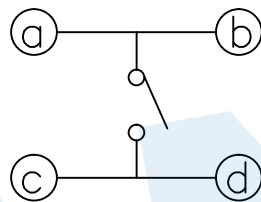


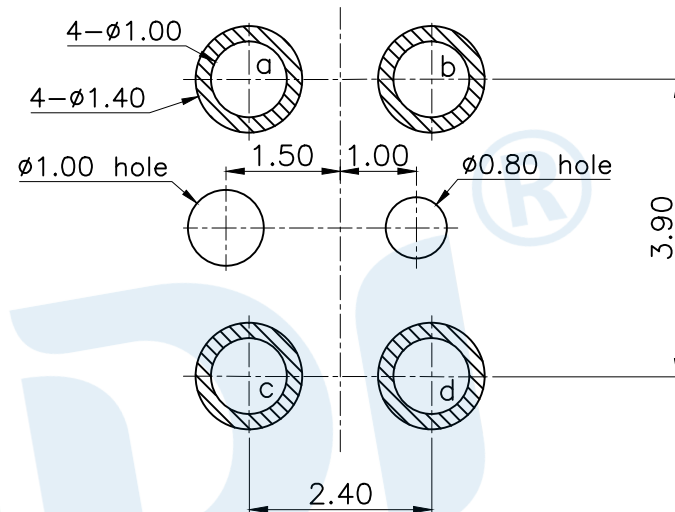
RoHS



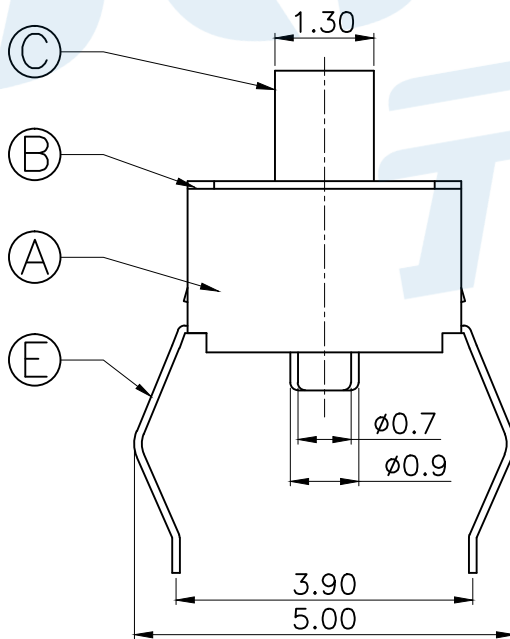
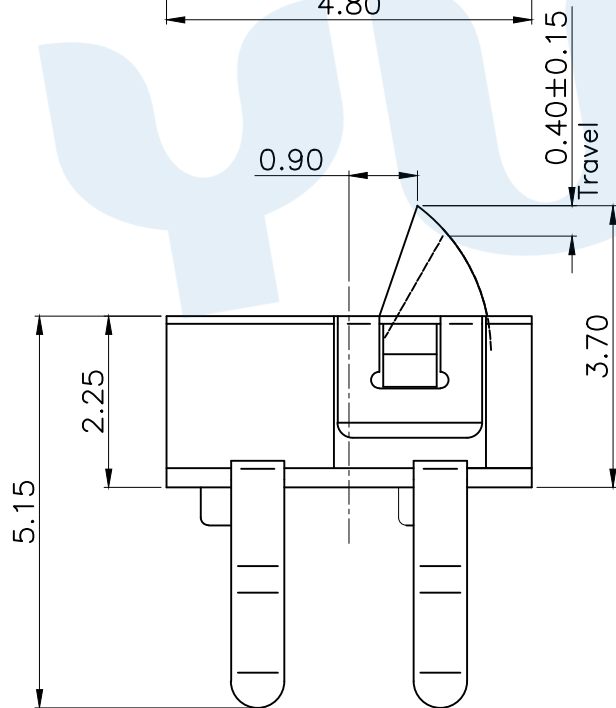
Technical Parameters
 1. Rated current: DC 30V 0.1A
 2. Operating force: 30±10gf
 3. Mechanical life: 100,000 times



Circuit Diagram



PCB Layout (Pattern side)



PART NO.	
TQ-2523A	TQ-2523A-1

NO.	Name	Number	Qty	Material	Remarks
⑤	Terminal		4	Phosphor bronze	Silvering
④	Contact Spring		1	Phosphor bronze	Silvering
③	Button		1	PPA	Black
②	Cover		1	SUS	Natural
①	Base		1	LCP	Black

YUANDI® Yuandi Electronics Co., Ltd

design	date	name
Review	date	DETECTION SWITCH
Approved	date	model
Drawing number:		TQ-2523A

angle	±2'
10~30	±0.30
5~10	±0.20
~ 5	±0.10
modify	Review
Approved	Tolerance not specified
Proportion	1:1
unit	mm
gape number	A4