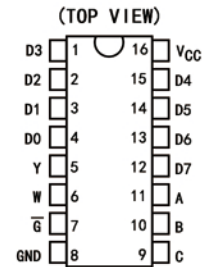


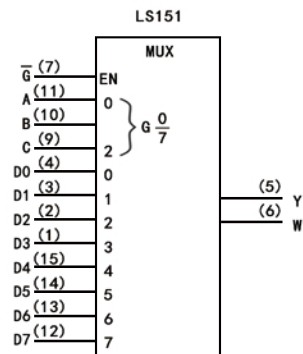
- '151 Selects One-of- Sixteen Data Sources
- Others Select One-of-Eight Data Sources
- All Perform Parallel-to-Serial Conversion
- All Permit Multiplexing from N Lines to One Line
- Also For Use as Boolean Function Generator
- Input-Clamping Diodes Simplify System Design
- Fully Compatible with Most TTL Circuits



description

These monolithic data selectors/multiplexers contain full on-chip binary decoding to select the desired data source. The '150 selects one-of-sixteen data sources; the LS151 select one-of-eight data sources. The 'LS151 have a strobe input which must be at a low logic level to enable these devices. A high level at the strobe forces the W output high, and the Y output (as applicable) low.

The '151 has only an inverted W output; the 'LS151 feature complementary W and Y outputs.

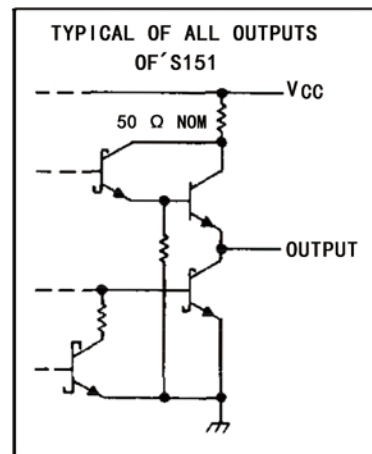
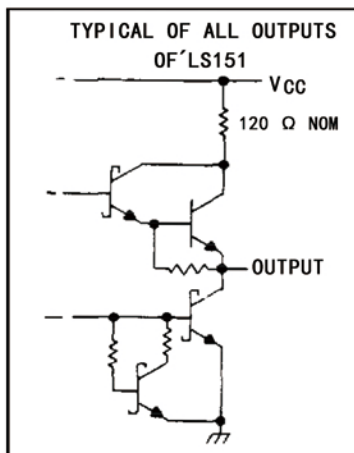
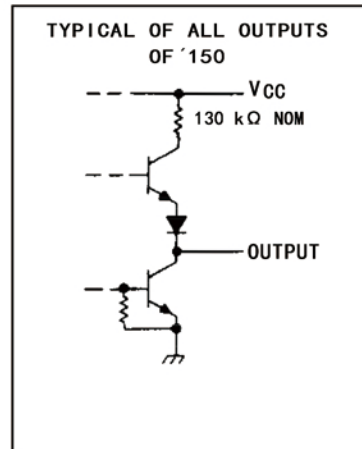
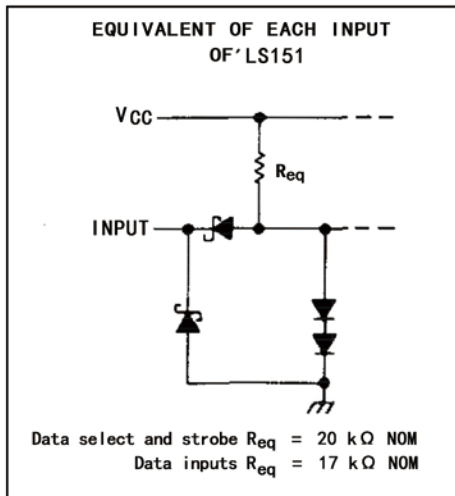
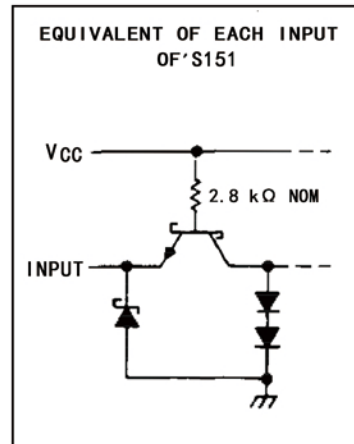
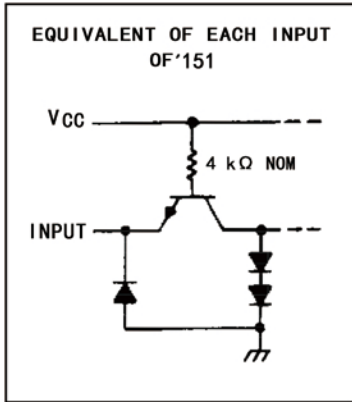


'LS151
FUNCTION TABLE

INPUTS			STROBE \overline{G}	OUTPUTS	
C	B	A		Y	W
X	X	X	H	L	H
L	L	L	L	D0	$\overline{D0}$
L	L	H	L	D1	$\overline{D1}$
L	H	L	L	D2	$\overline{D2}$
L	H	H	L	D3	$\overline{D3}$
H	L	L	L	D4	$\overline{D4}$
H	L	H	L	D5	$\overline{D5}$
H	H	L	L	D6	$\overline{D6}$
H	H	H	L	D7	$\overline{D7}$

XD74LS151 DIP16

schematics of inputs and outputs



XD74LS151 DIP16

recommended operating conditions

	XD74			UNIT
	MIN	NOM	MAX	
Suooly voltage, V _{CC}	4.75	5	5.25	V
High-level outout current, I _{OH}			-800	μA
Low-level outout current, I _{OL}			16	mA
Operating free-air temperature, T _A	0		70	C

electrical characteristics over recommended operating free-air temperature range (unless otherwise noted)

PARAMETER	TEST CONDITIONS [†]	150			151			UNIT
		MIN	TYP [‡]	MAX	MIN	TYP [‡]	MAX	
V _{IH} High-level input voltage		2			2			V
V _{IL} Low-level input voltage				0.8			0.8	V
V _{IK} Input clamp voltage	V _{CC} = MIN, I _I = -8 mA			-1.5			-1.5	V
V _{OH} High-level output voltage	V _{CC} = MIN, V _{IH} = 2V, V _{IL} = 0.8V, I _{OH} = -800 μA	2.4	3.4		2.2	3.4		V
V _{OL} Low-level output voltage	V _{CC} = MIN, V _{IH} = 2V, V _{IL} = 0.8V, I _{OL} = 16mA		0.2	0.4		0.2	0.4	V
I _I Input current at maximum input vottage	V _{CC} = MAX, V _I = 5.5V			1			1	mA
I _{IH} High-level input current	V _{CC} = MAX, V _I = 2.4V			40			40	μA
I _{IL} Low-level input current	V _{CC} = MAX, V _I = 0.4V			-1.6			-1.6	mA
I _{OS} Short-circuit outout current [§]	V _{CC} = MAX,							mA
		XD74						
I _{CC} Supply current	V _{CC} = MAX, See Note 3		40	68		29	48	mA

[†]For conditions shown as MIN or MAX, use the appropriate value specified under recommended operating conditions for the applicable device type.

[‡]All typical values at V_{CC} = 5 V, T_A = 25 °C.

[§]Not more than one output of the 151 should be shorted at a time.

NOTE 3: I_{CC} is measured with the strobe and data select inputs at 4.5 V, all other inputs and outputs open.

switching characteristics, V_{CC} = 5V, T_A = 25 °C

PARAMETER	FROM (INPUT)	TO (OUTPUT)	TEST CONDITIONS	150			151			UNIT
				MIN	TYP	MAX	MIN	TYP	MAX	
t _{PLH}	A, B, or C (4 levels)	Y	C _L = 15 pF, R _L = 400 Ω See Note 4				25	38	ns	
t _{PHL}							25	38		
t _{PLH}	A, B, C, or D (3 levels)	W		23	35		17	26	ns	
t _{PHL}				22	33		19	30		
t _{PLH}	Strobe \bar{G}	Y					21	33	ns	
t _{PHL}							22	33		
t _{PLH}	Strobe \bar{G}	W		15.5	24		14	21	ns	
t _{PHL}				21	30		15	23		
t _{PLH}	D0 thru D7	Y					13	20	ns	
t _{PHL}							18	27		
t _{PLH}	E0 thru E15, or D0 thru D7	W	8.5	14		8	14	ns		
t _{PHL}			13	33		8	14			

[†]PLH = propagation delay time, low-to-high-level output

[‡]PLH = propagation delay time, high-to-low-level output

NOTE 4: Load circuits and voltage waveforms are shown in Section 1.

XD74LS151 DIP16

recommended operating conditions

	XD74LS151			UNIT
	MIN	NOM	MAX	
Suooly voltage, V_{CC}	4.75	5	5.25	V
High-level outout current, I_{OH}			-400	μ A
Low-level outout current, I_{OL}			8	mA
Operating free-air temperature, T_A	0	70		C

electrical characteristics over recommended operating free-air temperature range (unless otherwise noted)

PARAMETER	TEST CONDITIONS†	XD74LS151		UNIT
		MIN	TYP‡	
V_{IH} High-level input voltage		2		V
V_{IL} Low-level input voltage			0.8	V
V_{IK} Input clamp voltage	$V_{CC} = \text{MIN}, I_I = -18 \text{ mA}$		-1.5	V
V_{OH} High-level output voltage	$V_{CC} = \text{MIN}, V_{IH} = 2\text{V}, V_{IL} = 0.7\text{V}, I_{OH} = -400 \mu\text{A}$	2.7	3.4	V
V_{OL} Low-level output voltage	$V_{CC} = \text{MIN}, V_{IH} = 2\text{V}, V_{IL} = V_{IL\text{max}}$			V
	$I_{OL} = 4 \text{ mA}$	0.25	0.4	
	$I_{OL} = 8 \text{ mA}$	0.35	0.5	
I_I Input current at maximum input vottage	$V_{CC} = \text{MAX}, V_I = 7\text{V}$		0.1	mA
I_{IH} High-level input current	$V_{CC} = \text{MAX}, V_I = 2.7\text{V}$		20	μ A
I_{IL} Low-level input current	$V_{CC} = \text{MAX}, V_I = 0.4\text{V}$		-0.4	mA
I_{OS} Short-circuit outout current‡	$V_{CC} = \text{MAX},$	-20	-100	mA
I_{CC} Supply current	$V_{CC} = \text{MAX},$ Outputs open, All inputs at 4.5V	6.0	10	mA

†For conditions shown as MIN or MAX, use the appropriate value specified under recommended operating conditions for the applicable device type.

‡All typical values at $V_{CC} = 5 \text{ V}, T_A = 25^\circ \text{C}$.

§ Not more than one output should be shorted at a time and duration of short-circuit should not exceed one second.

switching characteristics, $V_{CC} = 5\text{V}, T_A = 25^\circ \text{C}$

PARAMETER	FROM (INPUT)	TO (OUTPUT)	TEST CONDITIONS	MIN	TYP	MAX	UNIT
t_{PLH}	A,B, or C (4 levels)	Y	$C_L = 15 \text{ pF}, R_L = 2 \text{ k}\Omega,$ See Note 4	27	43	ns	
t_{PHL}				18	30		
t_{PLH}	A,B, or C (3 levels)	W		14	23	ns	
t_{PHL}				20	32		
t_{PLH}	Strobe \bar{G}	Y		26	42	ns	
t_{PHL}				20	32		
t_{PLH}	Strobe \bar{G}	W		15	24	ns	
t_{PHL}				18	30		
t_{PLH}	Any D	Y		20	32	ns	
t_{PHL}				16	26		
t_{PLH}	Any D	W		13	21	ns	
t_{PHL}				12	20		

t_{PLH} = propagation delay time, low-to-high-level output

t_{PHL} = propagation delay time, high-to-low-level output

NOTE 4: Load circuits and voltage waveforms are shown in Section 1 .

XD74LS151 DIP16

recommended operating conditions

	XD74S151			UNIT
	MIN	NOM	MAX	
Suooly voltage, V_{CC}	4.75	5	5.25	V
High-level outout current, I_{OH}			-1	mA
Low-level outout current, I_{OL}			20	mA
Operating free-air temperature, T_A	0		70	C

electrical characteristics over recommended operating free-air temperature range (unless otherwise noted)

PARAMETER	TEST CONDITIONS [†]	MIN	TYP [‡]	MAX	UNIT
V_{IH} High-level input voltage		2			V
V_{IL} Low-level input voltage				0.8	V
V_{IK} Input clamp voltage	$V_{CC} = \text{MIN}, I_I = -18\text{mA}$			-1.2	V
V_{OH} High-level output voltage	$V_{CC} = \text{MIN}, V_{IH} = 2\text{V}, V_{IL} = 0.8\text{V}, I_{OH} = -1\text{mA}$ XD74S151	2.7	3.4		V
V_{OL} Low-level output voltage	$V_{CC} = \text{MIN}, V_{IH} = 2\text{V}, V_{IL} = 0.8\text{V}, I_{OL} = 20\text{mA}$			0.5	V
I_I Input current at maximum input vottage	$V_{CC} = \text{MAX}, V_I = 5.5\text{V}$			1	mA
I_{IH} High-level input current	$V_{CC} = \text{MAX}, V_I = 2.7\text{V}$			50	μA
I_{IL} Low-level input current	$V_{CC} = \text{MAX}, V_I = 0.5\text{V}$			-2	mA
I_{OS} Short-circuit outout current [§]	$V_{CC} = \text{MAX},$	-40		-100	mA
I_{CC} Supply current	$V_{CC} = \text{MAX},$ All inputs at 4.5V, All outputs apen		45	-70	mA

[†]For conditians shown as MIN or MAX, use the appropriate value specified under recommended operating conditions for the applicable device type.

[‡]All typical values at $V_{CC} = 5\text{V}, T_A = 25^\circ\text{C}$.

[§] Not more than one output should be shorted at a time, and duration of the shortcircuit should not exceed one second.

switching characteristics, $V_{CC} = 5\text{V}, T_A = 25^\circ\text{C}$

PARAMETER	FROM (INPUT)	TO (OUTPUT)	TEST CONDITIONS	MIN	TYP	MAX	UNIT
t_{PLH}	A, B, or C (4 levels)	Y	$C_L = 15\text{pF}, R_L = 280\text{k}\Omega$ See Note 4	12	18		ns
t_{PHL}				12	18		
t_{PLH}	A, B, or C (3 levels)	W		10	15		ns
t_{PHL}				9	13.5		
t_{PLH}	Any D	Y		8	12		ns
t_{PHL}				8	12		
t_{PLH}	Any D	W		4.5	7		ns
t_{PHL}				4.5	7		
t_{PLH}	Strobe \bar{G}	Y		11	16.5		ns
t_{PHL}				12	18		
t_{PLH}	Strobe \bar{G}	W		9	13		ns
t_{PHL}				8.5	12		

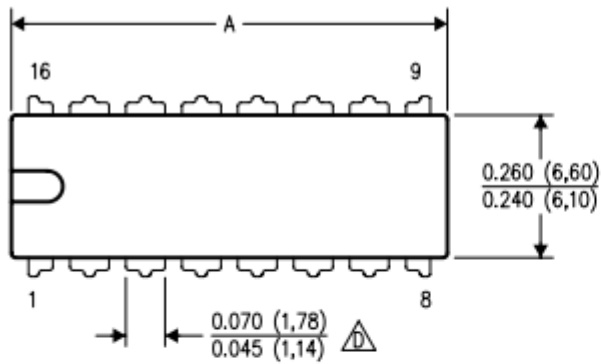
t_{PLH} = propagation delay time, low-to-high-level output

t_{PHL} = propagation delay time, high-to-low-level output

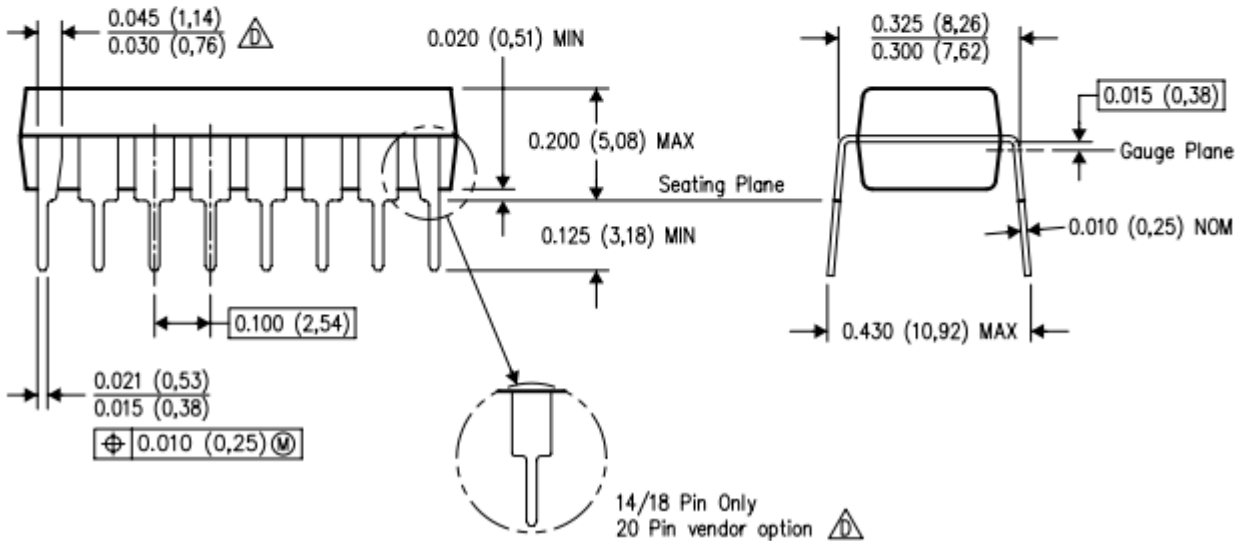
NOTE 4: Load circuits and voltage waveforms are shown in Section 1.

XD74LS151 DIP16

DIP



DIM \ PINS **	14	16	18	20
A MAX	0.775 (19,69)	0.775 (19,69)	0.920 (23,37)	1.060 (26,92)
A MIN	0.745 (18,92)	0.745 (18,92)	0.850 (21,59)	0.940 (23,88)
MS-001 VARIATION	AA	BB	AC	AD



以上信息仅供参考. 如需帮助联系客服人员. 谢谢 XINLUDA