

GDTN3RD5-XX

Order Code:GDTN3RD5-XX

Gas Discharge Tube

Features

- 3-electrode arrester
- Very small size
- Extremely fast response time
- Stable performance over life
- Extremely low capacitance (<1.2pF)
- High insulation resistance



Application

- Modem
- Splitter
- Base stations

Electrical specifications

Part number	DC Spark-over Voltage ^{1) 2)}	Maximum Impulse Spark-over Voltage	Service Life ³⁾	Insulation resistance	Capacitance	Marking Code
	100V/s	1kv/μs	8/20μs 10times	@ 100V _{DC}	@ 1 MHz	
	(V)	(V)	(KA)	(MΩ)	(pF)	
GDTN3RD5-75	75±20%	550	5	> 1000	< 1.2	Blue negative
GDTN3RD5-90	90±20%	600	5	> 1000	< 1.2	Blue negative
GDTN3RD5-150	150±20%	650	5	> 1000	< 1.2	Blue negative
GDTN3RD5-230	230±20%	650	5	> 1000	< 1.2	Blue negative
GDTN3RD5-300	300±20%	800	5	> 1000	< 1.2	Blue negative
GDTN3RD5-350	350±20%	900	5	> 1000	< 1.2	Blue negative
GDTN3RD5-400LV	400±20%	900	5	> 1000	< 1.2	Blue negative
GDTN3RD5-400	400±20%	950	5	> 1000	< 1.2	Blue negative
GDTN3RD5-420	420±20%	950	5	> 1000	< 1.2	Blue negative
GDTN3RD5-470	470±20%	1000	5	> 1000	< 1.2	Blue negative

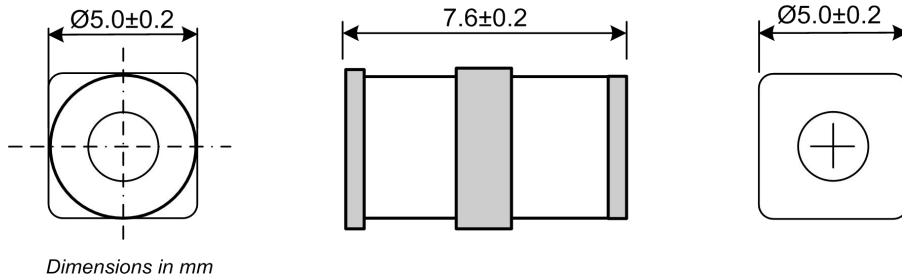
1) At delivery AQL 0.65 level II, DIN ISO 2859.

2) In ionized mode.

3) Tests according to ITU-T Rec. K. 12 and UL 497B.

Terms and current waveforms in accordance with: ITU-T Rec. K.12; IEC 61643-21 and DIN 57845/VDE0845.

Dimensional drawing



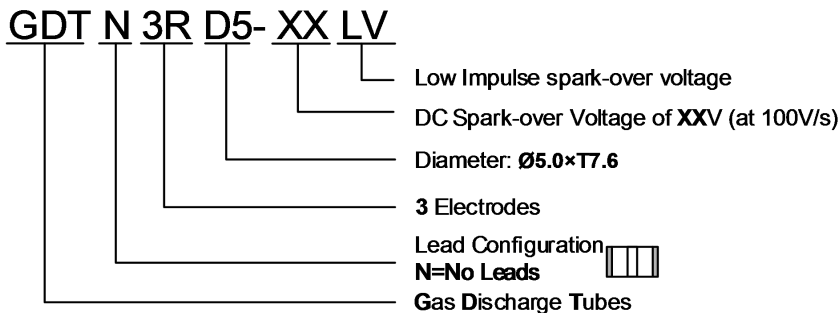
Cautions and warnings

- Gas Discharge Tubes must not be operated directly in power supply networks.
- Gas Discharge Tubes may become hot in case of longer periods of current stress (danger of burning).
- Gas Discharge Tubes may be used only within their specified values. In case of overload, the head contacts may fail or the component may be destroyed.
- Damaged Gas Discharge Tubes must not be re-used.

Thermal Consideration

Symbol	Parameter	Value	Unit
Ts & Tj	Storage & Operating temperature range	-40 to +90	°C

Part Numbering System



CONTACT INFORMATION

CYG WAYON CIRCUIT PROTECTION CO., LTD.
 No.1001, Shiwan(7) Road, Pudong District, Shanghai, P.R.China.201202
 Tel: +86-21-68969993 Fax: 86-21-50757680 Email: market@way-on.com
 WAYON website: <http://www.way-on.com>
 For additional information, please contact your local Sales Representative.

CYGMAYON ® is registered trademarks of Wayon Corporation.

*Specifications are subject to change without notice.
 The device characteristics and parameters in this data sheet can and do vary in different applications and actual device performance may vary over time.
 Users should verify actual device performance in their specific applications.*