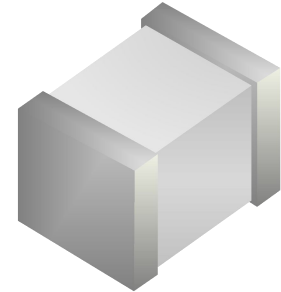


GDTN2RS5-XX

Gas Discharge Tube

Features

- 2-electrode arrester
- Very small size
- Extremely fast response time
- Stable performance over life
- Extremely low capacitance (<1.0pF)
- High insulation resistance



Application

- Modem
- Splitter
- Base stations
- PCI cards
- Application with limited space

Electrical specifications

Part number	DC Spark-over Voltage _{1) 2)}	Maximum Impulse Spark-over Voltage	Service Life ₃₎	Insulation resistance	Capacitance	Marking Code
		1kv/ μ s	8/20 μ s 10times	@ 100V _{DC}	@ 1 MHz	
	(V)	(V)	(KA)	(M Ω)	(pF)	
GDTN2RS5-75	75 \pm 20%	550	5KA	> 1000	< 1	None
GDTN2RS5-90	90 \pm 20%	550	5KA	> 1000	< 1	None
GDTN2RS5-150	150 \pm 20%	600	5KA	> 1000	< 1	None
GDTN2RS5-200	200 \pm 20%	600	5KA	> 1000	< 1	None
GDTN2RS5-230	230 \pm 20%	650	5KA	> 1000	< 1	None
GDTN2RS5-300	300 \pm 20%	750	5KA	> 1000	< 1	None
GDTN2RS5-400	400 \pm 20%	850	5KA	> 1000	< 1	None
GDTN2RS5-420	420 \pm 20%	850	5KA	> 1000	< 1	None
GDTN2RS5-470	470 \pm 20%	900	5KA	> 1000	< 1	None
GDTN2RS5-600	600 \pm 20%	950	5KA	> 1000	< 1	None
GDTN2RS5-800	800 \pm 20%	1600	5KA	> 1000	< 1	None
GDTN2RS5-1000	1000 \pm 20%	1750	5KA	> 1000	< 1	None

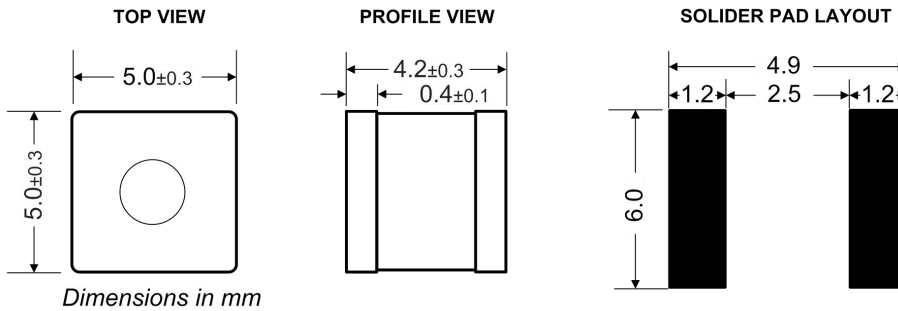
1) At delivery AQL 0.65 level II, DIN ISO 2859.

2) In ionized mode.

3) Tests according to ITU-T Rec. K. 12 and UL 497B.

Terms and current waveforms in accordance with: ITU-T Rec. K.12; IEC 61643-21 and DIN 57845/VDE0845.

Dimensional drawing

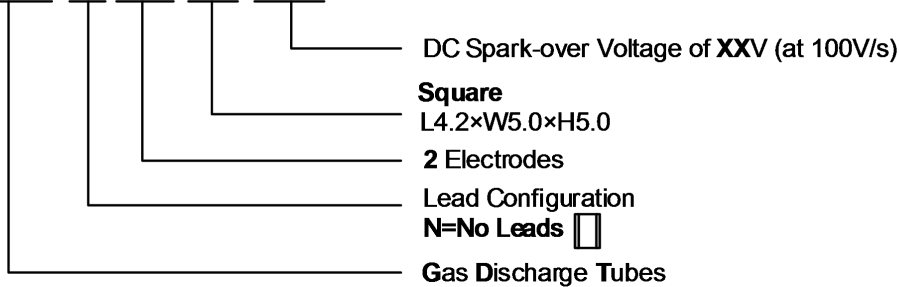


Cautions and warnings

- Surge arresters must not be operated directly in power supply networks.
- Surge arresters may become hot in case of longer periods of current stress (danger of burning).
- Surge arresters may be used only within their specified values. In case of overload, the headcontacts may fail or the component may be destroyed.
- Damaged surge arresters must not be re-used.

Part Numbering System

GDT N 2R S5- XX



Package Information

Tape and Reel: 1000PCS/Reel .

CONTACT INFORMATION

CYG WAYON CIRCUIT PROTECTION CO., LTD.

No.1001, Shiwan(7) Road, Pudong District, Shanghai, P.R.China.201202

Tel: 86-21-50310888 Fax: 86-21-50757680 Email: market@way-on.com

WAYON website: <http://www.way-on.com>

For additional information, please contact your local Sales Representative.

CYGMAYON ® is registered trademarks of Wayon Corporation.