



High-precision Low Voltage Detector

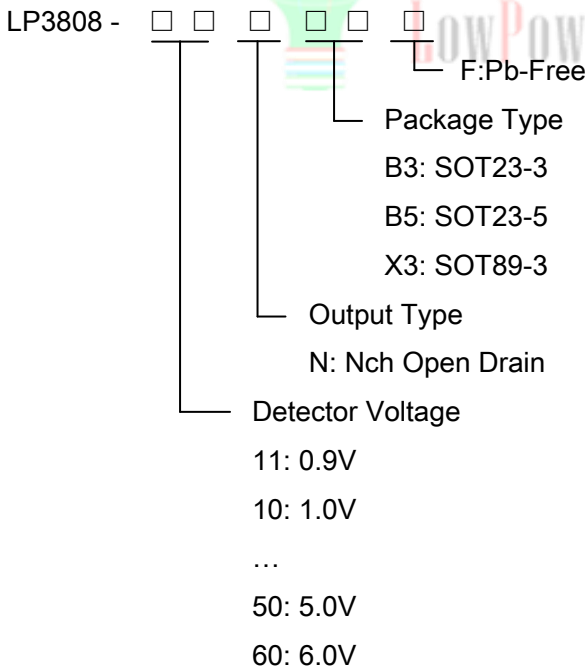
General Description

LP3808 is a series of high precision voltage detector with ultra low current consumption(500nA typ. at Vdd=3.0V). It can work at very low voltage, which makes it perfect for system reset.

LP3808 is composed of high precision voltage reference, comparator, output driver and resistor array. Internally preset detect voltage has a low temperature drift and requires no external trimming.

Two type of output, N-channel open-drain are available.LP3808 is available in SOT-89-3 , SOT-23-3 , SOT23-5 packages which is Pb -free.

Order Information



Features

- ◆ High-precision detection Voltage 2%
- ◆ Detection Voltage 0.9V~6.0V (in 0.1V steps)
- ◆ Precise hysteresis 4% typ.
- ◆ Operating Voltage range 0.7V~10V
- ◆ Ultra-low current consumption 500nA typ. (at VDD 3.0V)
- ◆ Two Output forms N-channel open-drain

Applications

- ◇ Power monitor for portable equipment such as
- ◇ PDA, DSC, Mobile phone, Notebook, MP3
- ◇ CPU and Logic Circuit Reset
- ◇ Battery Checker
- ◇ Battery Back-up Circuit
- ◇ Power Failure Detector

Marking Information

Device	Marking	Package	Shipping
LP3808	XXXX	SOT23-3	3K/REEL
		SOT23-5	3K/REEL
		SOT89-3	1K/REEL



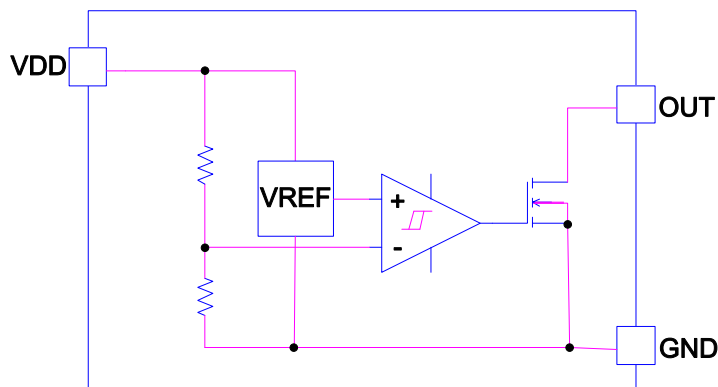
Pin Assignment

Package Type	Pin Configurations
SOT89-3 SOT23-3 SOT23-5	

Pin Description

Pin Number			Pin Name	Function
SOT89-3	SOT23-3	SOT23-5		
1	1	1	VOUT	Voltage Detection output Pin
2	3	2	VDD	Voltage input pin
3	2	3	VSS	GND pin
		4,5	NC	No Connection

Block Diagram



N-channel Output Open Drain



Absolute Maximum Ratings

- ✧ Input Voltage range ----- -0.3V~12V
- ✧ Output Voltage range ----- -0.3V~12V
- ✧ Maximum Output current ----- 70mA
- ✧ Maximum power dissipation ----- 150mW
- ✧ Ambient temperature ----- -40~+85 C
- ✧ Storage temperature ----- -40~125 C
- ✧ Lead temperature and time ----- 260°C,10S

Electrical Characteristics

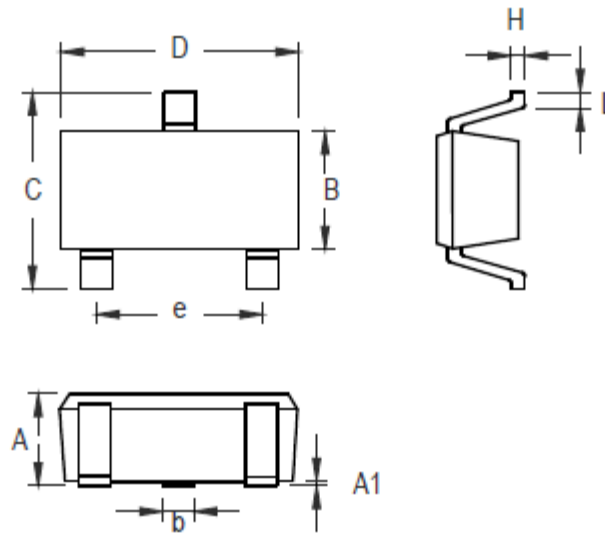
(LP3808-11NB3F, T=25°C, Unless otherwise specified.)

Symbol	Parameter	Conditions	Reference data			Unit
			Min.	Typ.	Max.	
V _{DET}	Detector Threshold		1.06	1.1	1.14	V
V _{HYS}	Detector Threshold Hysteresis			0.1	0.162	V
I _{SS}	Current consumption			0.5	1	uA
V _{DDH}	Maximum operating voltage				10	V
V _{DDL}	Minimum Operating voltage		0.7			V
I _{OUT}	Output current	V _{out} =0.05V V _{DD} =0.70V	0.01	0.05		mA
T _{PLH}	Output Delay Time				20	uS



Packaging Information

SOT23-3

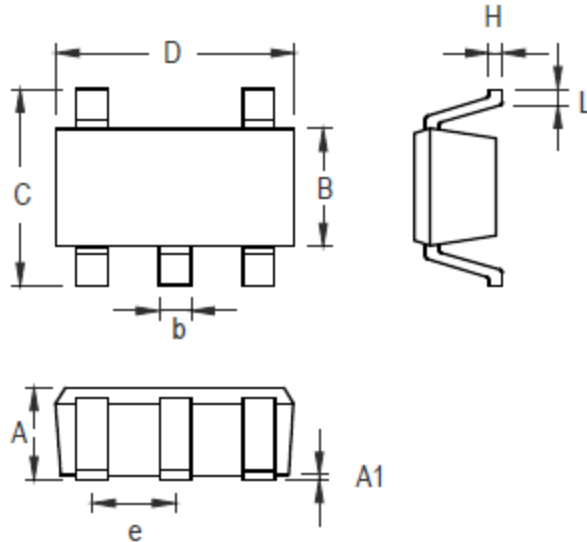


Symbol	Dimensions In Millimeters		Dimensions In Inches	
	Min	Max	Min	Max
A	0.889	1.295	0.035	0.051
A1	0.000	0.152	0.000	0.006
B	1.397	1.803	0.055	0.071
b	0.356	0.508	0.014	0.020
C	2.591	2.997	0.102	0.118
D	2.692	3.099	0.106	0.122
e	1.803	2.007	0.071	0.079
H	0.080	0.254	0.003	0.010
L	0.300	0.610	0.012	0.024

SOT-23 Surface Mount Package



SOT23-5

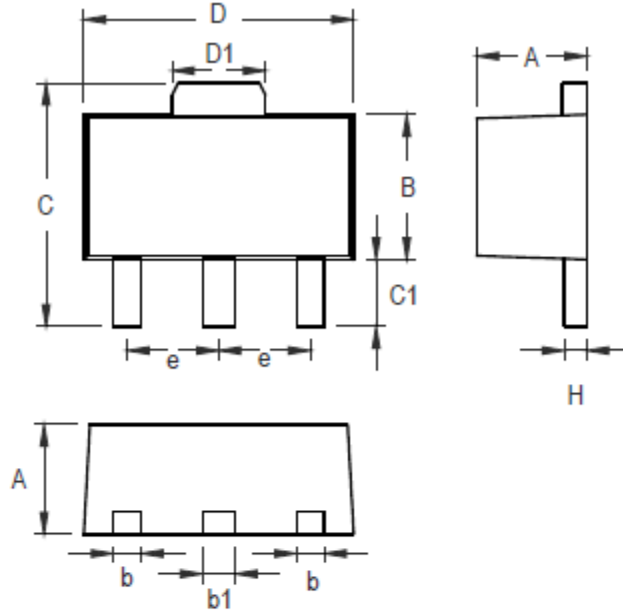


Symbol	Dimensions In Millimeters		Dimensions In Inches	
	Min	Max	Min	Max
A	0.889	1.295	0.035	0.051
A1	0.000	0.152	0.000	0.006
B	1.397	1.803	0.055	0.071
b	0.356	0.559	0.014	0.022
C	2.591	2.997	0.102	0.118
D	2.692	3.099	0.106	0.122
e	0.838	1.041	0.033	0.041
H	0.080	0.254	0.003	0.010
L	0.300	0.610	0.012	0.024

SOT- 25 Surface Mount Package



SOT-89



Symbol	Dimensions In Millimeters		Dimensions In Inches	
	Min	Max	Min	Max
A	1.397	1.600	0.055	0.063
b	0.356	0.483	0.014	0.019
B	2.388	2.591	0.094	0.102
b1	0.406	0.533	0.016	0.021
C	3.937	4.242	0.155	0.167
C1	0.787	1.194	0.031	0.047
D	4.394	4.597	0.173	0.181
D1	1.397	1.753	0.055	0.069
e	1.448	1.549	0.057	0.061
H	0.356	0.432	0.014	0.017

3-Lead SOT-89 Surface Mount Package