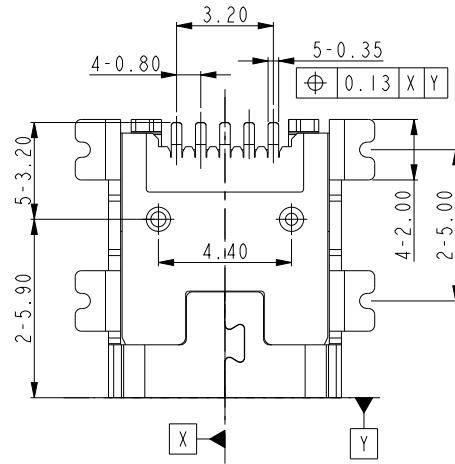
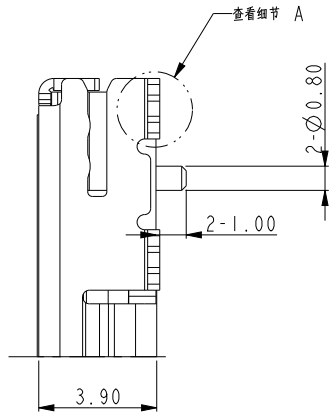
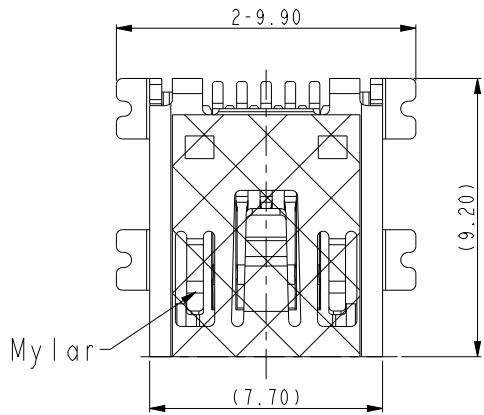


REV.	ECN Number	Description	Drawn
I	CSI7050034	RELEASE	ZL_2017.05.21



Specification:

1. Material:

- 1.1 Housing: High temperature thermoplastic; Color: Black
- 1.2 Contact: Copper alloy, t=0.25mm
- 1.3 Shell: Copper alloy, t=0.40mm

2. Electrical Characteristics

- 2.1 Voltage Current rating: 1AMP. 30VAC
- 2.2 Insulation resistance: 100 MΩ Min DC500V.
- 2.3 Contact resistance: 50 mΩ Max.

3. Mechanical Characteristics:

- 3.1 Matching Cycles: 5000 Cycles.
- 3.2 Total mating force: 3.57 Kgf Max.
- 3.3 Total unmating force: 0.30 Kgf Min.

4. Environmental

- 4.1 Operating Temperature: -25°C~+80°C

5. Product Number Matrix:

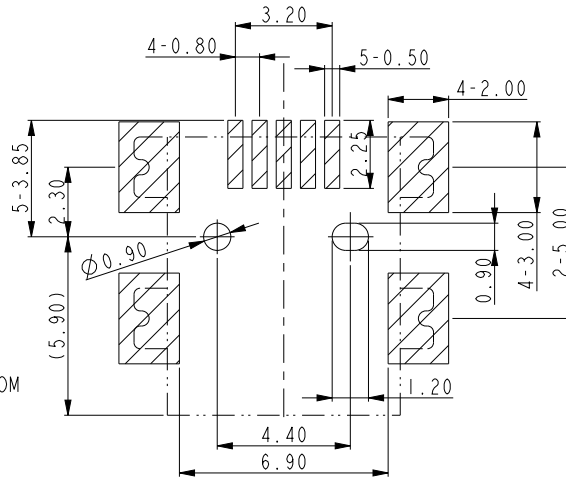
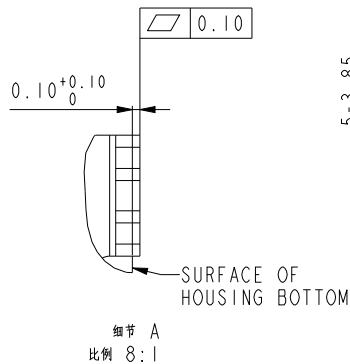
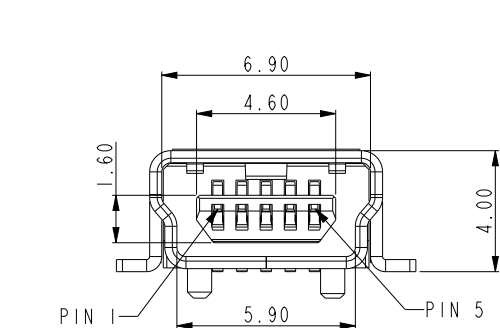
AU63-05XX-X-005

PIN NO. NULL: Thermoplastic
F: High Temperature Thermoplastic
H: Halogen Free

ELECTROPLATING CODE:

Definition	Code
⊙ Matte Tin plated	A
⊙ Bright Tin plated	V
⊙ Gold plated	
flash B 1u" R 3u" C	
5u" D 10u" E 15u" F	
20u" G 25u" H 30u" J	
⊙ Duplex plated	
flash K 1u" S 3u" L	
5u" M 10u" N 15u" P	
20u" Q 25u" T 30u" U	
⊙ All plated is lead free.	

A: PE	C: REEL+MYLAR
J: BOX	B: REEL+MPAD
G: TUBE	R: REEL+PAD
P: TUBE+PAD	T: TRAY
E: TUBE+MPAD	N: TRAY+MYLAR
F: TUBE+MYLAR	D: TRAY+MPAD
K: REEL	M: TRAY+PAD



RECOMMENDED PCB LAYOUT
GENERAL TOLERANCE +/-0.05mm



ShenZhen ShenTai weixiang Electronics Co.,Ltd

TOLERANCE UNLESS OTHERWISE SPECIFIED

X.X	±0.30	X.°	±3°
X.XX	±0.20	X.X°	±2°
X.XXX		X.XX°	±1°

SCALE 4:1

UNIT mm

SIZE A4

ORIGINAL DRAWN: ZL
DATE 05/12/2017
CHECK: Xie Yong
DATE 05/12/2017
APPROVE: Ady zhou
DATE 05/12/2017

DWG. NO. 600-0000-0171
PARTS NO. (INTENDED USE) AU63-05SC-H-005

TITLE
MINI USB
CUSTOMER DRAWING

REV. I
SHEET 1/1