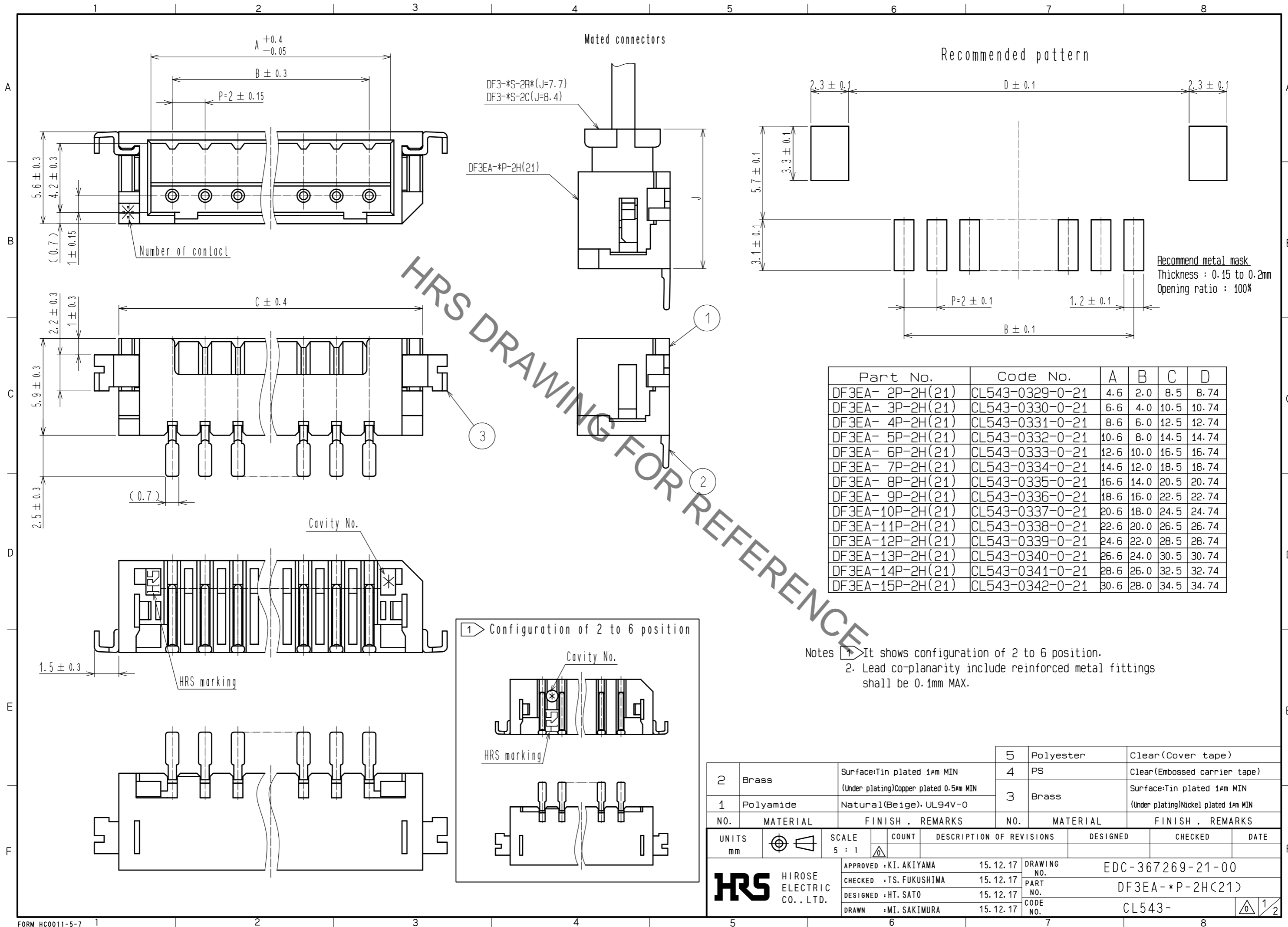


Apr.1.2020 Copyright 2020 HIROSE ELECTRIC CO., LTD. All Rights Reserved.
In case of consideration for using Automotive equipment / device which demand high reliability, kindly contact our sales window correspondents.

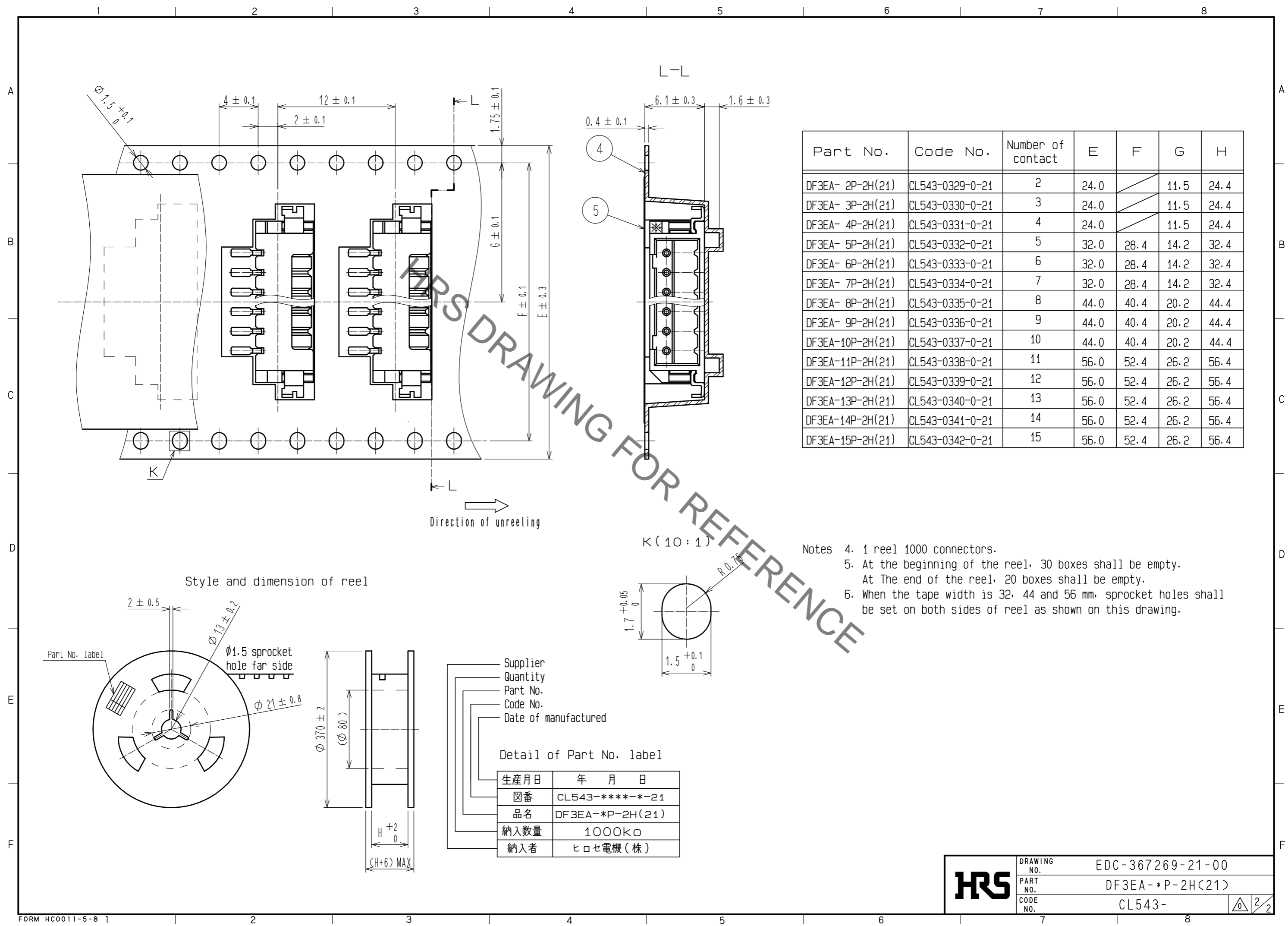


NO.	MATERIAL	FINISH	REMARKS	NO.	MATERIAL	FINISH	REMARKS
2	Brass	Surface: Tin plated 1μm MIN (Under plating) Copper plated 0.5μm MIN		5	Polyester		Clear(Cover tape)
1	Polyamide	Natural(Beige), UL94V-0		4	PS		Clear(Embossed carrier tape)
				3	Brass	Surface: Tin plated 1μm MIN (Under plating) Nickel plated 1μm MIN	

UNITS	SCALE	COUNT	DESCRIPTION OF REVISIONS	DESIGNED	CHECKED	DATE
mm	5 : 1	△				

APPROVED	DATE	DRAWING NO.
•KI. AKIYAMA	15.12.17	EDC-367269-21-00
CHECKED	DATE	PART NO.
•TS. FUKUSHIMA	15.12.17	DF3EA-*P-2H(21)
DESIGNED	DATE	CODE NO.
•HT. SATO	15.12.17	CL543-
DRAWN	DATE	
•MI. SAKIMURA	15.12.17	

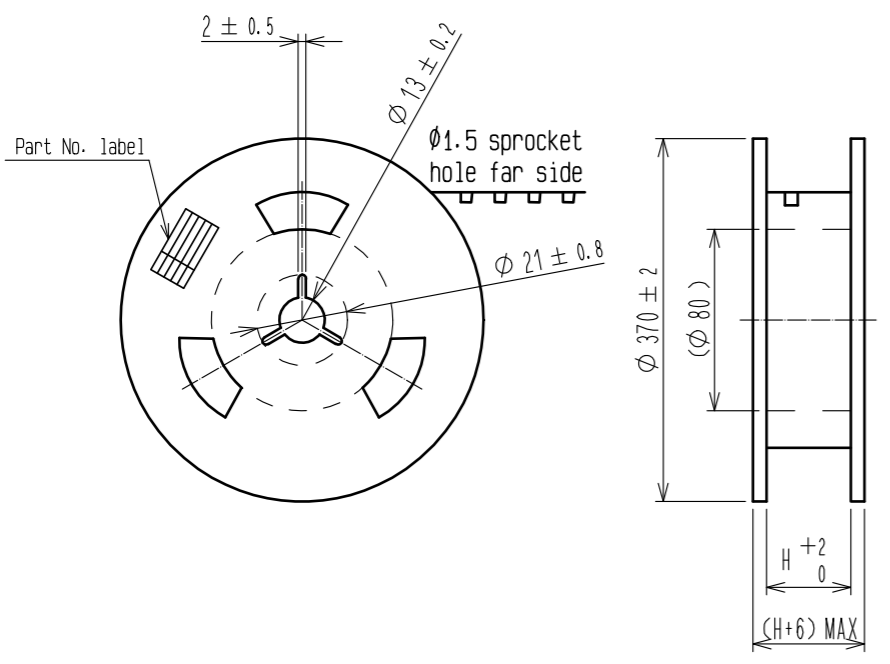
Apr.1.2020 Copyright 2020 HIROSE ELECTRIC CO., LTD. All Rights Reserved.
 In case of consideration for using Automotive equipment / device which demand high reliability, kindly contact our sales window correspondents.



Part No.	Code No.	Number of contact	E	F	G	H
DF3EA- 2P-2H(21)	CL543-0329-0-21	2	24.0		11.5	24.4
DF3EA- 3P-2H(21)	CL543-0330-0-21	3	24.0		11.5	24.4
DF3EA- 4P-2H(21)	CL543-0331-0-21	4	24.0		11.5	24.4
DF3EA- 5P-2H(21)	CL543-0332-0-21	5	32.0	28.4	14.2	32.4
DF3EA- 6P-2H(21)	CL543-0333-0-21	6	32.0	28.4	14.2	32.4
DF3EA- 7P-2H(21)	CL543-0334-0-21	7	32.0	28.4	14.2	32.4
DF3EA- 8P-2H(21)	CL543-0335-0-21	8	44.0	40.4	20.2	44.4
DF3EA- 9P-2H(21)	CL543-0336-0-21	9	44.0	40.4	20.2	44.4
DF3EA-10P-2H(21)	CL543-0337-0-21	10	44.0	40.4	20.2	44.4
DF3EA-11P-2H(21)	CL543-0338-0-21	11	56.0	52.4	26.2	56.4
DF3EA-12P-2H(21)	CL543-0339-0-21	12	56.0	52.4	26.2	56.4
DF3EA-13P-2H(21)	CL543-0340-0-21	13	56.0	52.4	26.2	56.4
DF3EA-14P-2H(21)	CL543-0341-0-21	14	56.0	52.4	26.2	56.4
DF3EA-15P-2H(21)	CL543-0342-0-21	15	56.0	52.4	26.2	56.4

- Notes
- 1 reel 1000 connectors.
 - At the beginning of the reel, 30 boxes shall be empty.
At The end of the reel, 20 boxes shall be empty.
 - When the tape width is 32, 44 and 56 mm, sprocket holes shall be set on both sides of reel as shown on this drawing.

Style and dimension of reel



Supplier
Quantity
Part No.
Code No.
Date of manufactured

Detail of Part No. label

生産月日	年 月 日
箱番	CL543-****-**-21
品名	DF3EA-*P-2H(21)
納入数量	1000K□
納入者	ヒロセ電機(株)

HRS

DRAWING NO.	EDC-367269-21-00
PART NO.	DF3EA-*P-2H(21)
CODE NO.	CL543-

2/2